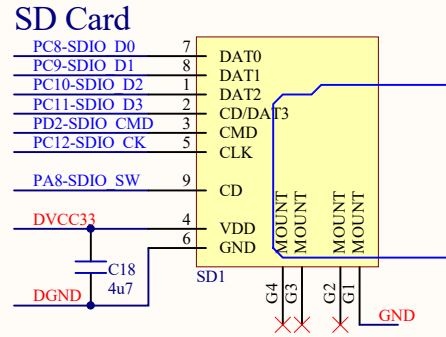
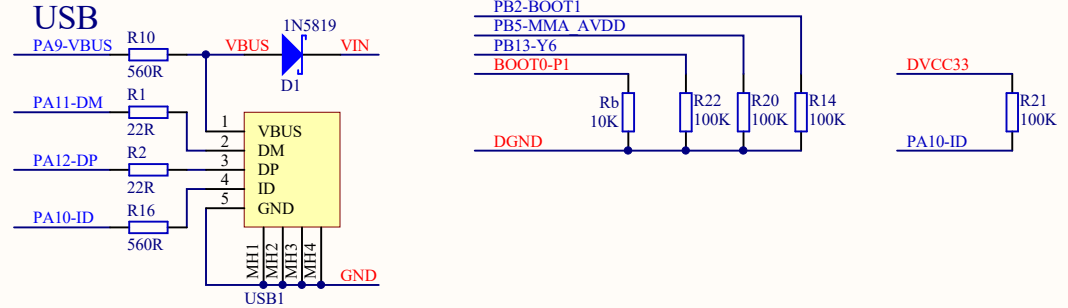
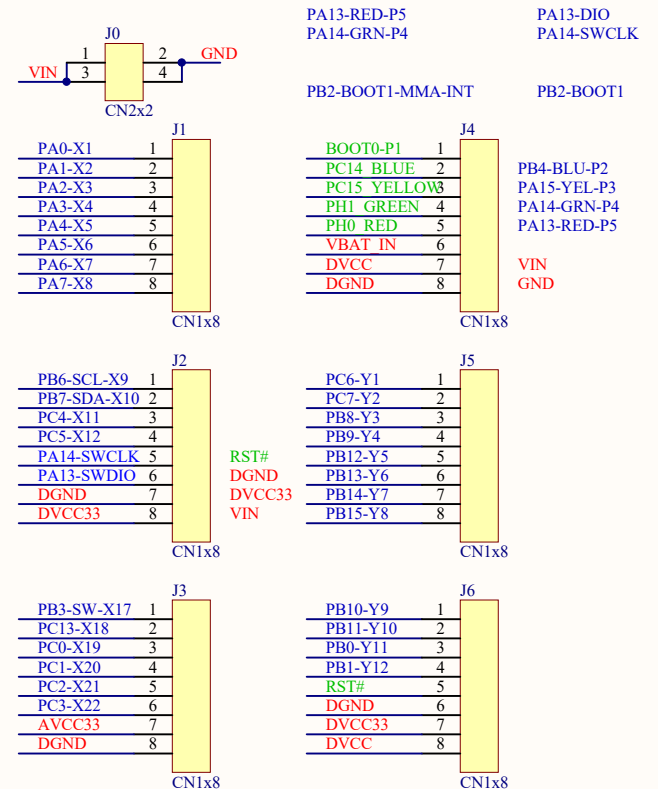


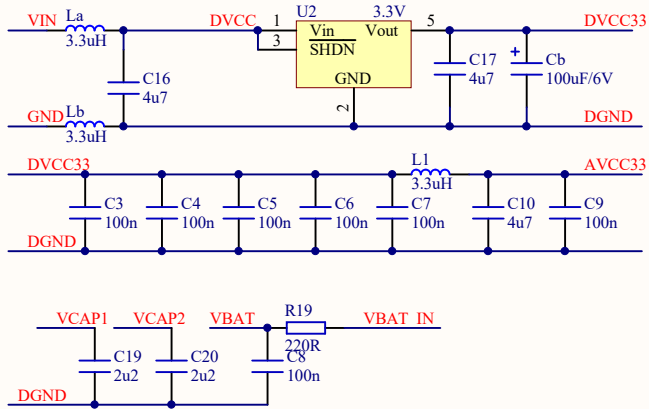
During boot:
 PA10:USART1_RX;PB11:USART3_RX;PC11:USART3_RX pull high;
 PB5:CAN2_RX;PB13:CAN2_RX;PB2:BOOT1;BOOT0 pull low.



Interface



Power & OSC & RST



Button & Led

