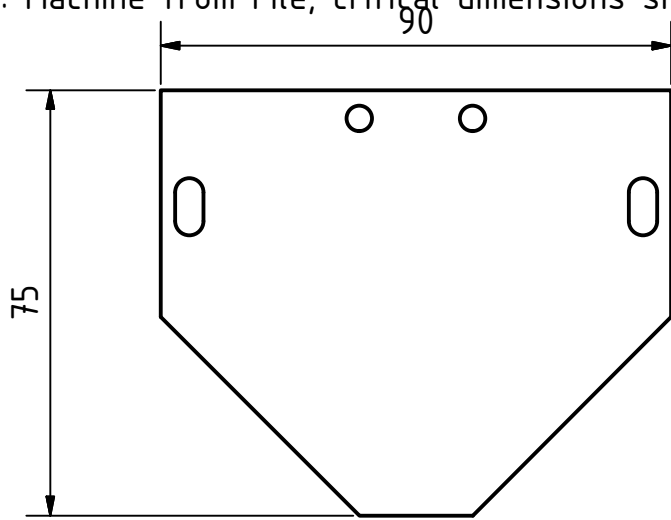
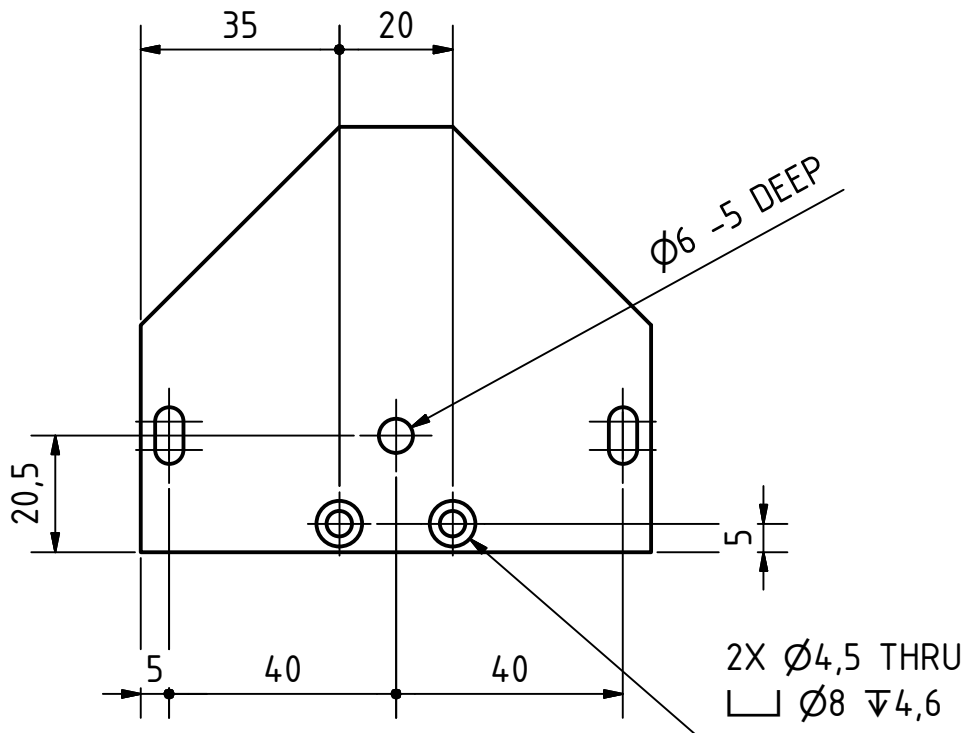
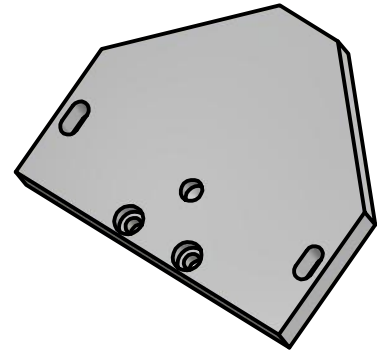


Note: Machine from File, critical dimensions shown.



(1 : 2)



contact: ✉ blaise-anthony.kuo-tiong@students.mq.edu.au / ☎ 0452483802

				General Tolerances ISO 2768-mK	Scale: 3:4	Quantity: 1	Mass: N/A
					Material: Aluminum 6061		
				Date	Name	Part Name:	
				Drawn by	5/03/2018	Blaise C. Kuo Tiong	
				Checked			
				Macquarie University		Drawing-No.:	Sheet: 3
				Labor: 42410575		2019.CAM.01_base-zwo	A4
				Material: 5021100 (C. Schwab)			
State	Modification	Date	Name	Created in Inventor 2017			