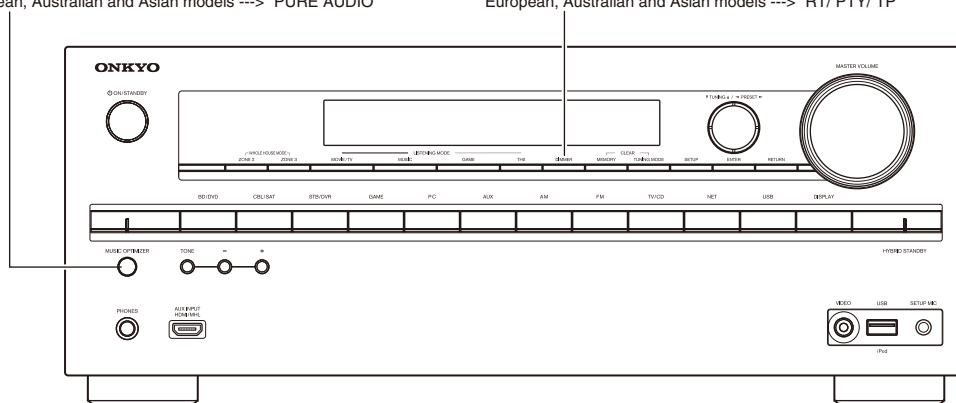


# ONKYO® SERVICE MANUAL

## AV RECEIVER MODEL TX-NR616(B)/(S)

North American and Taiwanese models ---> "MUSIC OPTIMIZER"  
European, Australian and Asian models ---> "PURE AUDIO"

North American and Taiwanese models ---> "DIMMER"  
European, Australian and Asian models ---> "RT/ PTY/ TP"




RC-837M

### Black and Silver models

B MDC, B MDF	120V AC, 60Hz
B MMQ, B MMR	220-240V AC, 50/60Hz
B MMP, B MMB, B MMA, S MMP	220-240V AC, 50Hz

### SAFETY-RELATED COMPONENT WARNING!!

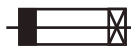
COMPONENTS IDENTIFIED BY MARK  ON THE SCHEMATIC DIAGRAM AND IN THE PARTS LIST ARE CRITICAL FOR RISK OF FIRE AND ELECTRIC SHOCK. REPLACE THESE COMPONENTS WITH ONKYO PARTS WHOSE PART NUMBERS APPEAR AS SHOWN IN THIS MANUAL.

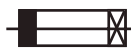
MAKE LEAKAGE-CURRENT OR RESISTANCE MEASUREMENTS TO DETERMINE THAT EXPOSED PARTS ARE ACCEPTABLY INSULATED FROM THE SUPPLY CIRCUIT BEFORE RETURNING THE APPLIANCE TO THE CUSTOMER.

ONKYO SOUND & VISION CORPORATION  
Service Department

## SERVICE PROCEDURE-1

### 1. Replacing the fuses

 This symbol located near the fuse indicates that the fuse used is slow operating type, For continued protection against fire hazard, replace with same type fuse, For fuse rating, refer to the marking adjacent to the symbol.

 Ce symbole indique que le fusible utilise est e lent. Pour une protection permanente, n'utiliser que des fusibles de meme type. Ce demier est indique la qu le present symbol est apposse.

REF NO.	PART NAME	DESCRIPTION	PART NO.	REMARKS
F6401	FUSE	12A-TUL-250V	252301GR	!
F6402	FUSE	12A-TUL-250V	252301GR	!
F9002	FUSE	10A-UL/T-233	252330GR	! <MDC, MDF>
F9002 or	FUSE	10A-T/UL-ST2	252333GR	! <MDC, MDF>
F9002	FUSE	5A-SE-EAK	252078GR	! <MMA, MMB, MMP, MMQ, MMR >
F9002 or	FUSE	5A-SE-TL250V	252278GR	! <MMA, MMB, MMP, MMQ, MMR>
F201	FUSE	4A-SEUL-TL250V	252392T	!
F9001	FUSE	1A-SEUL-TL250V	252397T	!

#### <Notes>

<MDC> : 120V,Canadian model

<MDF> : 120V,Taiwanese model

<MMP> : 220-240V,CE(European) country model

<MMA> : 220-240V,Australian model

<MMB> : 220-240V,UK model

<MMQ> : 220-240V,Hong kong model

<MMR> : 220-240V,Chinese model

### 2. Safety check out

(U.S.A. model only)

After correcting the original service problem, perform the following safety check before releasing the unit to the customer.

Leakage current Check

Measure the leakage current to a known earth ground (water pipe or conduct etc.) by connecting a leakage current tester between the earth ground and exposed metal parts of the unit (input/output ground terminals, screw heads or metal overlays etc.).

Plug the power supply cord directly into a 120Vac 60Hz wall socket and turn ON/STANDBY button on.

Any current measured must not exceed 0.5mA.

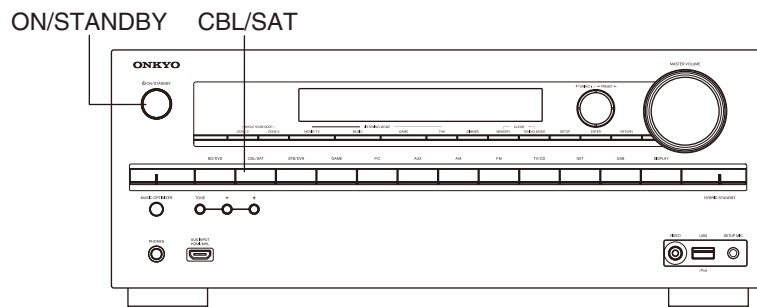
### 3. To initialize the unit

1. Press ON/STANDBY button while pressing down CBL/SAT button when the unit is POWER ON, then the FL displays "CLEAR", and turn to STAND-BY.

Preset memory and each mode stored in the memory, are initialized and will return to the factory settings.



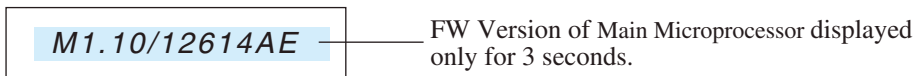
2. Remove power cord from wall outlet.



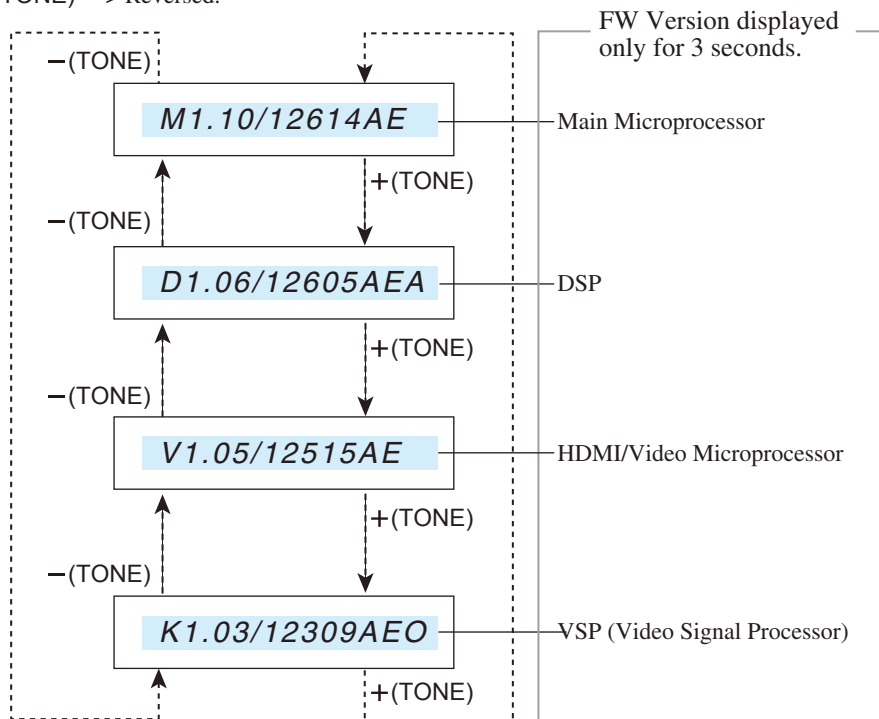
## SERVICE PROCEDURE-2

### 4. To check version of each Firmware

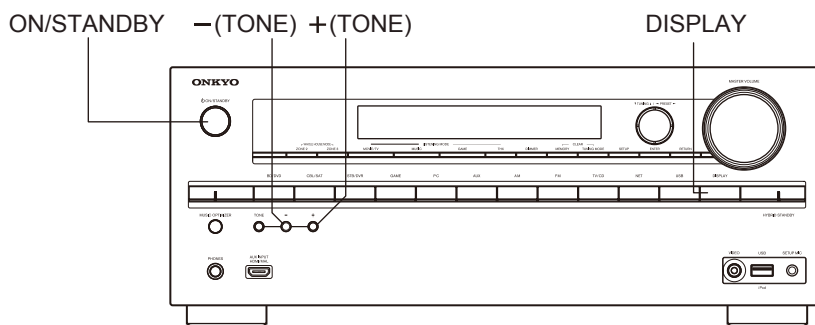
1. Press ON/STANDBY (Power On)
2. Press DISPLAY + ON/STANDBY.



3. Press + (Tone) ---> Forward  
Press - (TONE) ---> Reversed.



4. Press ON/STANDBY (Power Off).



## SERVICE PROCEDURE-3

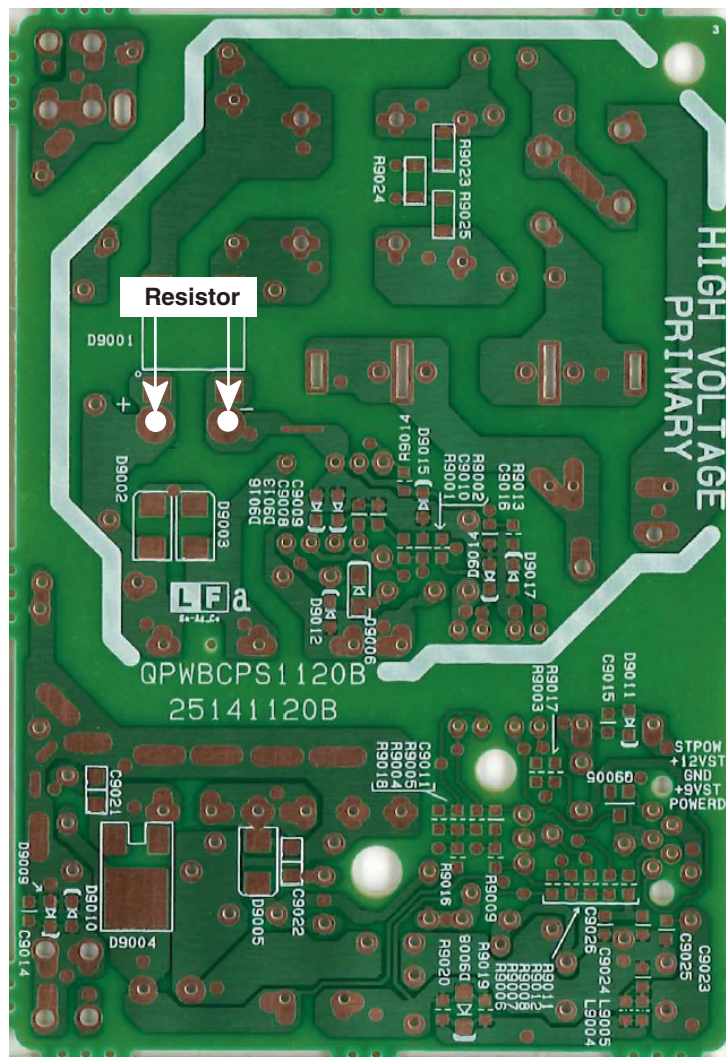
### 5. Notes on repairs (Power supply board)

Some parts on BAPS-1120 may remain high voltages even after the power cord is disconnected from AC power source.

Before starting repair and any other work , please discharge C9002 by connecting resistors between its terminals. See the figure below (recommended resistor spec: 5 k ohms/ 10W)

It is dangerous to touch the "HIGH VOLTAGE PRIMARY" area surrounded by white lines without discharging.

**U0080**  
**POWER SUPPLY(PRI) PC BOARD ASS'Y**  
**BAPS-1120**



Top  
 ↑

## DEBUG MODE-1

### AUDIO DEBUG MODE-1/6

The operations of DSP and DIR etc are able to checked by the information displayed on FL in this debug mode.  
This information will help to analysing digital audio no sound trouble.

#### To set in Debug mode

1. Press and hold down **DISPLAY** button, then press **ON/STANDBY** button.

e.g. M1.06/12417AE — The version number of microprocessor is displayed only for 3 seconds.

2. Press **+** (TONE) button while the version number of microprocessor is displayed.

D1.05/12327AEA — The version number of DSP is displayed only for 3 seconds.

3. Press **DISPLAY** button while the version number of DSP is displayed.

e.g. 0A0002: :00 **DSP debug mode STEP-1**

4. Press **DISPLAY** button.

e.g. ANA:o:NON:C: **DSP debug mode STEP-2**

5. Press **DISPLAY** button.

e.g. 1:ANA 048k048k **DSP debug mode STEP-3**

6. Press **DISPLAY** button.

e.g. 2/0.0: 2.0:3/4 **DSP debug mode STEP-4**

7. Press **DISPLAY** button.

e.g. 2:o:PCM :PCM **DSP debug mode STEP-5**

8. Press **DISPLAY** button.

e.g. 00:x:F:OFF **DSP debug mode STEP-6**

9. Press **DISPLAY** button.

e.g. SP00F\*00F00409 **DSP debug mode STEP-7**

10. Press **DISPLAY** button.

e.g. 48 48256STB **DSP debug mode STEP-8**

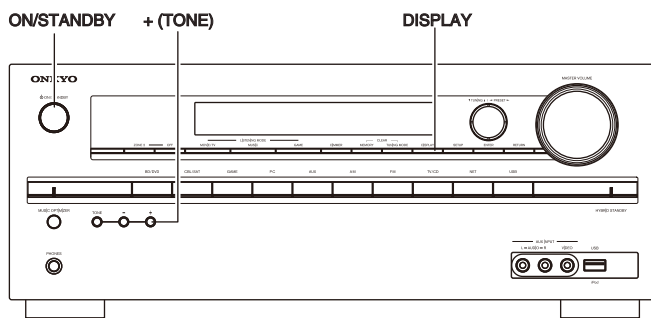
11. Press **DISPLAY** button.

  **Exit**

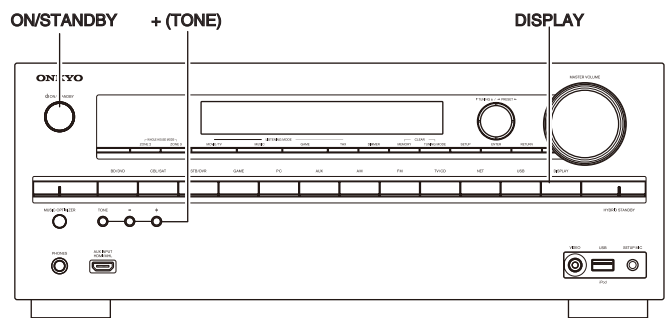
#### AUDIO debug mode

The status of DSP and DIR etc will be displayed.

TX-NR414/515/515AE  
HT-R758/791  
HT-RC440/460



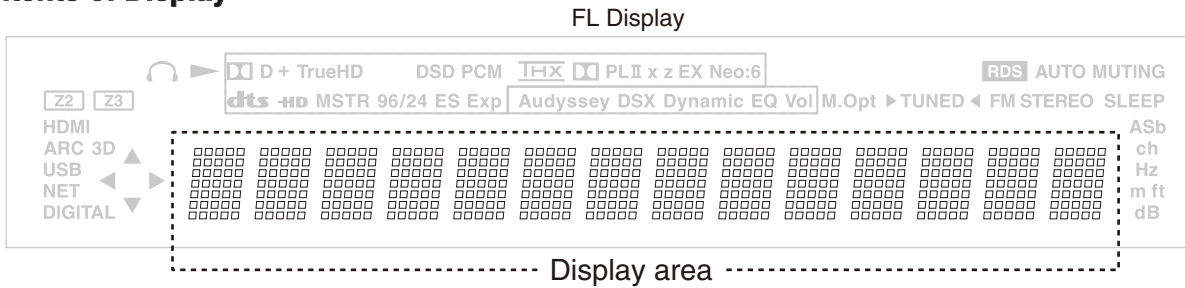
TX-NR616/616AE  
HT-RC470



## DEBUG MODE-2

## AUDIO DEBUG MODE-2/6

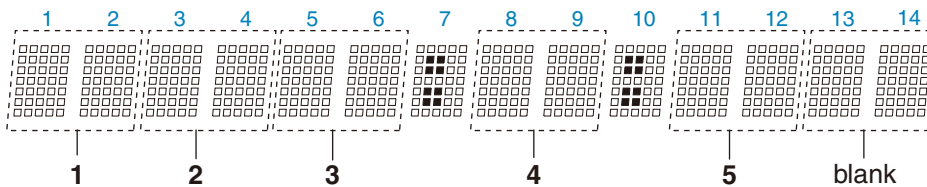
## Contents of Display



## STEP-1

e.g.

0A0002:\_\_:00\_\_



## 1.st\_srd.lmd

C_LM_LAST	01
C_LM_PURE	02
C_LM_DIRECT	03
C_LM_STEREO	04
C_LM_MONO	05
C_LM_SURR	20
C_LM_THX_MUSIC	50
C_LM_THX_GAME	70
C_LM_THX_CINEMA	90
C_LM_THX_U2GAME	A0
C_LM_THX_U2MUSIC	A8
C_LM_THX_U2CINEMA	B0
C_LM_AUDYSSEY	D0
C_LM_DTSS	48
C_LM_ORCHESTRA	06
C_LM_UNPLUGGED	07
C_LM_STUDIOMIX	08
C_LM_TVLOGIC	09
C_LM_ALLCHST	0A
C_LM_FULLMONO	0B
C_LM_TD	0C
C_LM_TESTTONE	F1
C_LM_TESTTHR	F2
C_LM_TESTAUTO	F3
C_LM_ASC	F4
C_LM_FLASH	F5
C_LM_DEBUGMODE	F6
C_LM_FLASH2	F7
C_LM_FLASH3	F8
C_LM_FLASH4	F9
C_LM_FLASH_CHECK	FA
C_LM_RPG	0D
C_LM_ACTION	0E
C_LM_ROCKBAND	0F
C_LM_SPORTS	10

## 2.st\_srd.extdec

C_EXTDEC_OFF	00
C_EXTDEC_20_PLII	01
C_EXTDEC_20_PLIIX	02
C_EXTDEC_20_PLIIZ	03
C_EXTDEC_20_NEO6	04
C_EXTDEC_51_MTR	05
C_EXTDEC_51_DSC	06
C_EXTDEC_51_NEO6	07
C_EXTDEC_51_EX	08
C_EXTDEC_51_PLIIX	09
C_EXTDEC_51_PLIIZ	0A
C_EXTDEC_9624	0B
C_EXTDEC_9624_MTR	0C
C_EXTDEC_71MULTI	0E
C_EXTDEC_20_NEURAL	0F
C_EXTDEC_51_NEURAL	10

## 3.st\_srd.extdecmd

C_EXTDECMD_OFF	00
C_EXTDECMD_10	01
C_EXTDECMD_20	02
C_EXTDECMD_MOVIE	03
C_EXTDECMD_MUSIC	04
C_EXTDECMD_GAME	05
C_EXTDECMD_HEIGHT	06
C_EXTDECMD_WIDE	07

## 4.Muting port

D : DIGMUTE port  
A : AMUTE port

## 5.Factor of muting

bit\_1 : SELMUTE  
bit\_2 : POWMUTE  
bit\_3 : PROTECTMUTE  
bit\_4 : AUDIOOUTMUTE  
bit\_5 : AUDIOMUTE  
bit\_6 : DIRMUTE  
bit\_7 : DACMUTE  
bit\_8 : HDMIMUTE

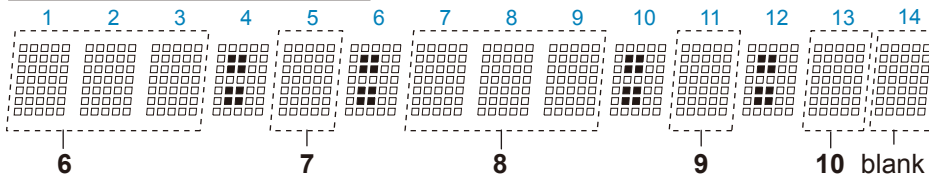
## DEBUG MODE-3

### AUDIO DEBUG MODE-3/6

#### STEP-2

e.g.

ANA:o:NON:C:



#### 6.Audio input channel

ANA : Analog  
COX : Coaxial  
OPT : Optical  
HDM : HDMI  
ARC : ARC

#### 7.DSP decode

o : DSP Detect OK  
x : DSP No Detect

#### 9.Display inhibit frag

S : display\_inhibit SET  
C : display\_inhibit CLR

#### 8.HDMI audio lock

STB : SOUND STATE FIX  
TRS : SOUND STATE UNFIX  
NON : SOUND STATE NONE

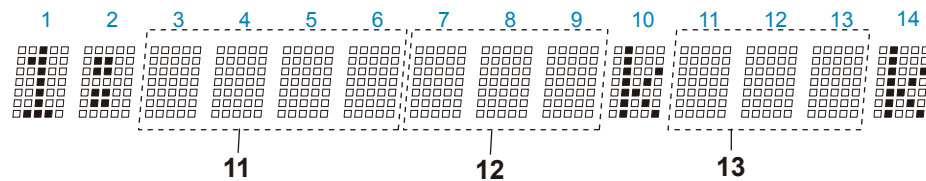
#### 10.RX mute

V : HDMI MUTE

#### STEP-3

e.g.

1:ANA\_048k048k



#### 11.Source\_format

UNLK : DDR\_UNLOCK  
ANA : DDR\_ANALOG  
PCM : DDR\_PCM  
AC3 : DDR\_AC3  
DTS : DDR\_DTS  
MPEG : DDR\_MPEG  
DATA : DDR\_DATA  
UNKW : DDR\_UNKNOWN  
NORD : DDR\_NOT\_READY  
NPCM : DDR\_NOT\_PCM  
FS96 : DDR\_FS96

NODT : DDR\_NOT\_DETECT  
DTSC : DDR\_DTSCD  
AAC : DDR\_AAC  
MPCM : DDR\_MCHPCM  
MCH : DDR\_MCH  
TRUE : DDR\_TRUE  
MSTR : DDR\_MSTR  
DSD : DDR\_DSD  
PLUS : DDR\_DDPLUS  
EXPR : DDR\_DTSEXP  
DTSH : DDR\_DTSHD

#### 12.st\_srd.fs

??? : unknown  
008 : 8kHz  
011 : 11kHz  
012 : 12kHz  
016 : 16kHz  
022 : 22kHz  
024 : 24kHz  
032 : 32kHz  
044 : 44.1kHz  
048 : 48kHz  
064 : 64Hz  
088 : 88.2kHz  
096 : 96kHz  
176 : 176.4kHz  
192 : 192kHz

#### 13.st\_hd\_display.fs

??? : unknown  
008 : 8kHz  
011 : 11kHz  
012 : 12kHz  
016 : 16kHz  
022 : 22kHz  
024 : 24kHz  
032 : 32kHz  
044 : 44.1kHz  
048 : 48kHz  
064 : 64Hz  
088 : 88.2kHz  
096 : 96kHz  
176 : 176.4kHz  
192 : 192kHz

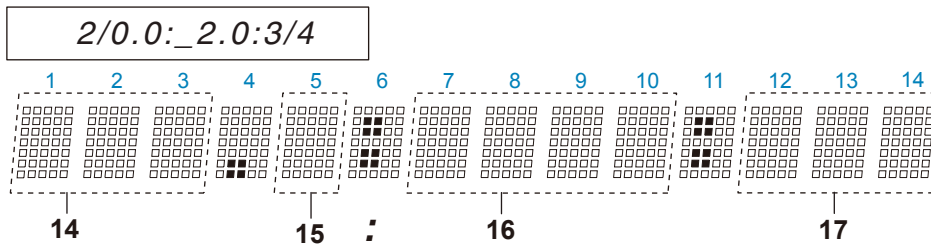


## DEBUG MODE-4

## AUDIO DEBUG MODE-4/6

STEP-4

e.g.


**14. Information of the input channels for listening mode transition**

```

??? : C_FMT_UNKNOWN  4H2 : C_FMT_42H
10  : C_FMT_10       5H2 : C_FMT_52H
20  : C_FMT_20       4W2 : C_FMT_42W
30  : C_FMT_30       5W2 : C_FMT_52W
21  : C_FMT_21       4H4 : C_FMT_44H
31  : C_FMT_31       4H3 : C_FMT_43H
22  : C_FMT_22       5H4 : C_FMT_54H
32  : C_FMT_32       5H3 : C_FMT_53H
23  : C_FMT_23       4W4 : C_FMT_44W
33  : C_FMT_33       4W3 : C_FMT_43W
24  : C_FMT_24       5W4 : C_FMT_54W
34  : C_FMT_34       5W3 : C_FMT_53W
                          11  : C_FMT_11

```

**15. Information of the LFE channel input**

```

0   : SW 0ch
1   : SW 1ch
2   : SW 2ch

```

**16. Channel information for the FL display**  
four-digit string "10.2" "5.1" "1 +1"

**17. Number of channels after decoding**

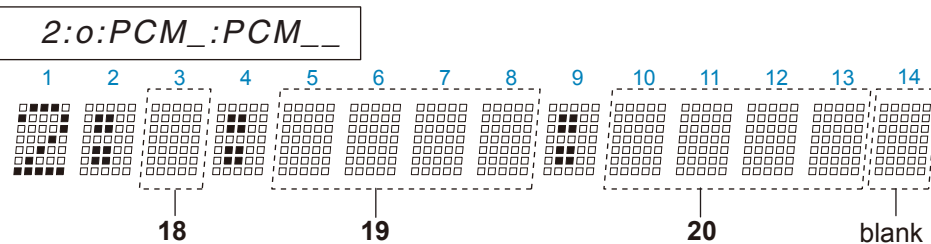
```

??? : C_FMT_UNKNOWN  4H2 : C_FMT_42H
10  : C_FMT_10       5H2 : C_FMT_52H
20  : C_FMT_20       4W2 : C_FMT_42W
30  : C_FMT_30       5W2 : C_FMT_52W
21  : C_FMT_21       4H4 : C_FMT_44H
31  : C_FMT_31       4H3 : C_FMT_43H
22  : C_FMT_22       5H4 : C_FMT_54H
32  : C_FMT_32       5H3 : C_FMT_53H
23  : C_FMT_23       4W4 : C_FMT_44W
33  : C_FMT_33       4W3 : C_FMT_43W
24  : C_FMT_24       5W4 : C_FMT_54W
34  : C_FMT_34       5W3 : C_FMT_53W
                          11  : C_FMT_11

```

STEP-5

e.g.


**18. Audio output OK/NG**

```

o   : decode OK
x   : decode NG

```

**19. Details of input format**

```

ANA : C_SRC_ANA
PCM : C_SRC_PCM
DLB : C_SRC_DD
DEX : C_SRC_DD_EX
DTS : C_SRC_DTS
MTR : C_SRC_DTS_MTR
DSC : C_SRC_DTS_DSC
D96 : C_SRC_DTS_96
96M : C_SRC_DTS_96M
AAC : C_SRC_AAC
MCH : C_SRC_MCH
DSP : C_SRC_DSP
MPCM : C_SRC_MCHPCM
DSD : C_SRC_DSD
TRUE : C_SRC_TRUE
TRES : C_SRC_TRUE_EX
MSTR : C_SRC_MSTR
PLUS : C_SRC_DDPLUS
PLEX : C_SRC_DDPLUS_EX
EXP : C_SRC_DTSEXP
DTSH : C_SRC_DTSHD
DSUR : C_SRC_DD_SUR
DPSR : C_SRC_DDPLUS_SUR
TRSR : C_SRC_TRUE_SUR

```

**20. Details of the format for the FL display**

```

ANA : C_SRC_ANA
PCM : C_SRC_PCM
DLB : C_SRC_DD
DEX : C_SRC_DD_EX
DTS : C_SRC_DTS
MTR : C_SRC_DTS_MTR
DSC : C_SRC_DTS_DSC
D96 : C_SRC_DTS_96
96M : C_SRC_DTS_96M
AAC : C_SRC_AAC
MCH : C_SRC_MCH
DSP : C_SRC_DSP
MPCM : C_SRC_MCHPCM
DSD : C_SRC_DSD
TRUE : C_SRC_TRUE
TRES : C_SRC_TRUE_EX
MSTR : C_SRC_MSTR
PLUS : C_SRC_DDPLUS
PLEX : C_SRC_DDPLUS_EX
EXP : C_SRC_DTSEXP
DTSH : C_SRC_DTSHD
DSUR : C_SRC_DD_SUR
DPSR : C_SRC_DDPLUS_SUR
TRSR : C_SRC_TRUE_SUR

```

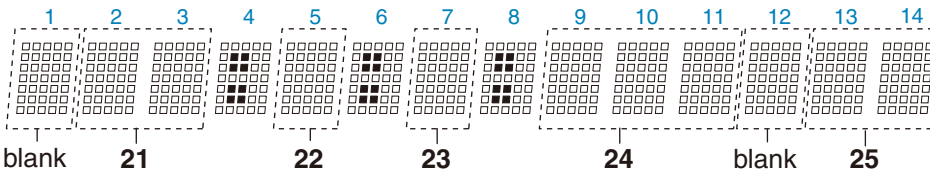


## DEBUG MODE-5

## AUDIO DEBUG MODE-5/6

## STEP-6

e.g.

`_00:x:F:OFF_`

## 21. Dialog norm

Dialog Norm value from 0 to 31

## 22. Return value of DIRINT Request\_dir (DDC\_STATUS)

o : LOCK  
x : UNLOCK

## 23. Return value of DIR busy or free Request\_dir (DDC\_BUSY)

F : Free  
B : Busy

## 24. emphasis of information

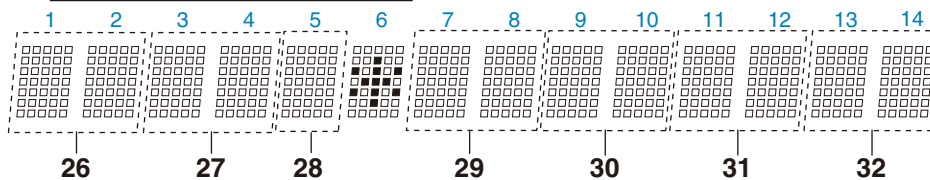
F : Free  
B : Busy

## 25. HDDVD/BLUE(only DDPLUS)

BD : Bluray  
HD : HDDVD

## STEP-7

e.g.

`SP00F*00F00409`

## 26. AudioIF DA830 input

IH : AUD\_IF\_I2S\_H  
DS : AUD\_IF\_DSD  
IS : AUD\_IF\_I2S  
NT : AUD\_IF\_NET  
SP : AUD\_IF\_SPDIF  
AD : AUD\_IF\_ADC  
HR : AUD\_IF\_DDDTSHR

## 27. Information of DIR Burst Preamble

DS : DTSHD HR  
DP : DD PLUS  
Preamble Val : 0x??

## 28. DIR Free or Busy

F : Free  
B : Busy

## 29. DIR Detect Fs

00 CLOCK\_FREQ\_UNKNOWN  
01 CLOCK\_FREQ\_8K  
02 CLOCK\_FREQ\_11K  
03 CLOCK\_FREQ\_12K  
04 CLOCK\_FREQ\_16K  
05 CLOCK\_FREQ\_22K  
06 CLOCK\_FREQ\_24K  
07 CLOCK\_FREQ\_32K  
08 CLOCK\_FREQ\_44K  
09 CLOCK\_FREQ\_48K  
0A CLOCK\_FREQ\_64K  
0B CLOCK\_FREQ\_88K  
0C CLOCK\_FREQ\_96K  
0D CLOCK\_FREQ\_128K  
0E CLOCK\_FREQ\_176K  
0F CLOCK\_FREQ\_192K

## 30. DIR sequence number

00 SEQ\_DIG\_POWEROFF /\* POWER OFF\*/  
10 SEQ\_DIG\_RESET /\* DIR RESET\*/  
11 SEQ\_DIG\_POWERON\_WAIT /\* POWER ON Waiting\*/  
12 SEQ\_DIG\_RESTART /\* DIGITAL RESTART \*/  
13 SEQ\_DIG\_WAIT\_HDMI\_FREE /\* HDMI(Waiting for final)\*/  
20 SEQ\_DIG\_INPSEL\_SET /\* DIGITAL INPUT Setting \*/  
30 SEQ\_DIG\_ANALOG\_SET /\* DIR ANALOG Input setting\*/  
31 SEQ\_DIG\_DIGITAL\_SET /\* DIR DIGITAL Input setting\*/  
32 SEQ\_DIG\_MCHPCM\_SET /\* DIR MCHPCM Input setting\*/  
33 SEQ\_DIG\_MCHANA\_SET /\* DIR MCHANA Input setting\*/  
34 SEQ\_DIG\_DDPDTSHD\_SET /\* DIR DD+ DTS-HD HR Input setting\*/  
35 SEQ\_DIG\_NET\_SET /\* DIR NET Input setting\*/  
40 SEQ\_DIG\_INIT\_ERROR /\* DIR INIT ERROR\*/  
41 SEQ\_DIG\_CHK\_ERROR1 /\* DIR CHECK ERROR1\*/  
42 SEQ\_DIG\_CHK\_ERROR2 /\* DIR CHECK ERROR2\*/  
43 SEQ\_DIG\_CHK\_FREE /\* DIGITAL CHECK FREE\*/  
50 SEQ\_DIG\_CHK\_ANALOG /\* CHECK ANALOG MODE \*/  
60 SEQ\_DIG\_LOCK\_PLL /\* 2nd PLL LOCK\*/  
61 SEQ\_DIG\_LOCK\_ANA /\* ANALOG 2nd PLL LOCK\*/  
f0 SEQ\_DIG\_FREE /\* DIGITAL FREE\*/  
f1 SEQ\_DIG\_FREE\_ANA /\* ANALOG Fix\*/

## 31. DIR switch sequence number

00 SEQ\_SWITCH\_POWEROFF /\* POWER OFF \*/  
01 SEQ\_SWITCH\_RESET /\* RESET \*/  
02 SEQ\_SWITCH\_POWERON\_WAIT /\* POWER ON WAIT \*/  
03 SEQ\_SWITCH\_CHANGE /\* CHANGE \*/  
04 SEQ\_SWITCH\_FREE /\* FREE \*/

## 32. DAC sequence number

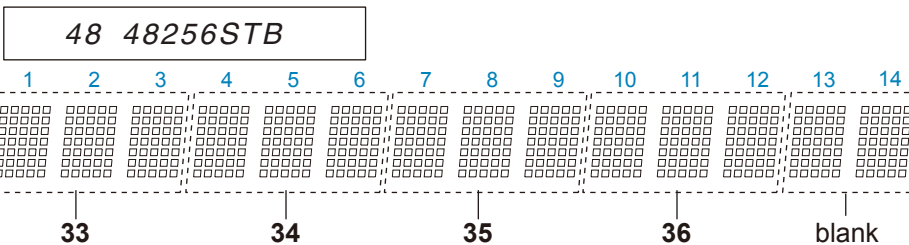
00 SEQ\_DAC\_POWEROFF /\* POWER OFF \*/  
01 SEQ\_DAC\_RESET /\* RESET \*/  
02 SEQ\_DAC\_POWERON\_WAIT /\* POWERON WAIT \*/  
03 SEQ\_DAC\_INITIALIZE /\* INITIALIZE \*/  
04 SEQ\_DAC\_RESTART /\* RESTART \*/  
05 SEQ\_DAC\_CMND\_SET /\* COMMAND SET \*/  
06 SEQ\_DAC\_FREE\_WAIT /\* FREE WAIT \*/  
07 SEQ\_DAC\_FREE /\* FREE \*/

## DEBUG MODE-6

## AUDIO DEBUG MODE-6/6

## STEP-8

e.g.

**33. Information of the input FS of DA830**

```

UNK : C_FS_UNKNOWN
8   : C_FS_08
11  : C_FS_11
12  : C_FS_12
16  : C_FS_16
22  : C_FS_22
24  : C_FS_24
32  : C_FS_32
44  : C_FS_44
48  : C_FS_48
64  : C_FS_64
88  : C_FS_88
96  : C_FS_96
176 : C_FS_176
192 : C_FS_192

```

**34. Information of the output FS of DA830**

```

UNK : C_FS_UNKNOWN
8   : C_FS_08
11  : C_FS_11
12  : C_FS_12
16  : C_FS_16
22  : C_FS_22
24  : C_FS_24
32  : C_FS_32
44  : C_FS_44
48  : C_FS_48
64  : C_FS_64
88  : C_FS_88
96  : C_FS_96
176 : C_FS_176
192 : C_FS_192

```

**35. Information of the input MCLK of DA830**

```

64   : AUD_MCLK_64Fs
128  : AUD_MCLK_128Fs
256  : AUD_MCLK_256Fs
384  : AUD_MCLK_384Fs
512  : AUD_MCLK_512Fs
640  : AUD_MCLK_640Fs
768  : AUD_MCLK_768Fs

```

**36. State of the audio input of DA830**

```

NO   : AUD_STS_SOUND_NO
TRS  : AUD_STS_SOUND_TRANS
STB  : AUD_STS_SOUND_STAB

```

## DEBUG MODE-7

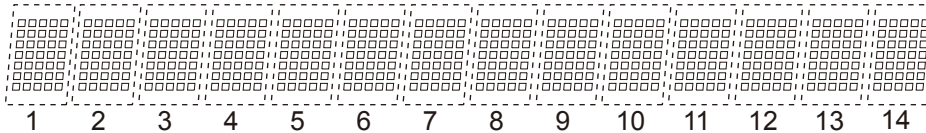
### HDMI DEBUG MODE-1/6

HDMI-related operations can be checked to some extent by displaying HDMI debug mode.

#### To enter this mode

Hold down **DISPLAY** button for **3** seconds. Information display will last for about 8 seconds.

#### Content of Display



#### Resolution display

Input resolution

1 0 8 0 i / 6 0 →

1 2 3 4 5 6 7 8 9 10 11 12 13 14

Output resolution

→ 1 0 8 0 i / 6 0




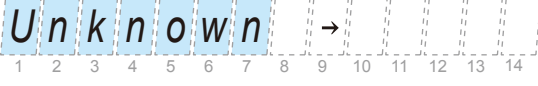
1 2 3 4 5 6 7 8 9 10 11 12 13 14

#### List of standard resolution









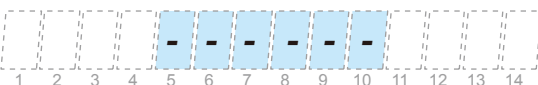
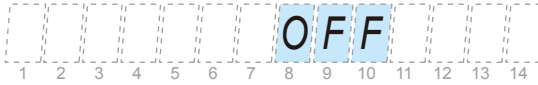
4 8 0 i / 6 0	# 5 7 6 i / 5 0	5 7 6 p 2 0 0
4 8 0 p / 6 0	# 5 7 6 p / 5 0	5 7 6 i 2 0 0
1 0 8 0 i / 6 0	# 2 8 8 p / 5 0	4 8 0 p / 6 0
7 2 0 p / 6 0	1 0 8 0 p / 2 4	4 8 0 p 2 4 0
1 0 8 0 p / 6 0	1 0 8 0 p / 2 5	4 8 0 i 2 4 0
2 4 0 p / 6 0	1 0 8 0 p / 3 0	* 4 8 0 p / 6 0
# 4 8 0 i / 6 0	V G A	* 5 7 6 p / 5 0
# 4 8 0 p / 6 0	1 0 8 0 i 1 0 0	7 2 0 p / 2 4
# 2 4 0 p / 6 0	7 2 0 p 1 0 0	7 2 0 p / 2 5
5 7 6 i / 5 0	5 7 6 p 1 0 0	7 2 0 p / 3 0
5 7 6 p / 5 0	5 7 6 i 1 0 0	
1 0 8 0 i / 5 0	1 0 8 0 i 1 2 0	
7 2 0 p / 5 0	7 2 0 p 1 2 0	
1 0 8 0 p / 5 0	4 8 0 p 1 2 0	
2 8 8 p / 5 0	4 8 0 i 1 2 0	

**DEBUG MODE-8****HDMI DEBUG MODE-2/6**

## Display of Input resolution

DVI input signal	  i / p will be capitalized.
VGA input signal	 Display the " * " in column 1
No input	

## Display of Output resolution

For a video processor	Via VSP	 Display the " → " in column 4
	VSP skip	
DVI input signal	  i / p will be capitalized.	
VGA input signal	 Display the " * " in column 5	
RSEN is OFF	 Display the " * " in column 14	
EDID_READ is NG	 Display the " # " in column 14	
Resolution Error	 Display the " x " in column 14	
No output (Signal output destination can not be found.)		
Hot-plug of Sink equipment can not be detected.		

**DEBUG MODE-9****HDMI DEBUG MODE-3/6**

## 4K Upscaling

Display of input resolution

1	2	3	4	5	6	7	8	9	10	11	12	13	14
1	0	8	0	i	/	6	0	→					

Display of Output resolution

1	2	3	4	5	6	7	8	9	10	11	12	13	14
*	*	*	*	X	*	*	*	*	p	/	*	*	

11	12	13	14
*	*	*	

If the three-digit numbers are refrate

List of resolution

1	2	3	4	5	6	7	8	9	10	11	12	13	14
3	8	4	0	x	2	1	6	0	p	/	3	0	

1	2	3	4	5	6	7	8	9	10	11	12	13	14
3	8	4	0	x	2	1	6	0	p	/	2	5	

1	2	3	4	5	6	7	8	9	10	11	12	13	14
3	8	4	0	x	2	1	6	0	p	/	2	4	

1	2	3	4	5	6	7	8	9	10	11	12	13	14
4	0	9	6	x	2	1	6	0	p	/	2	4	

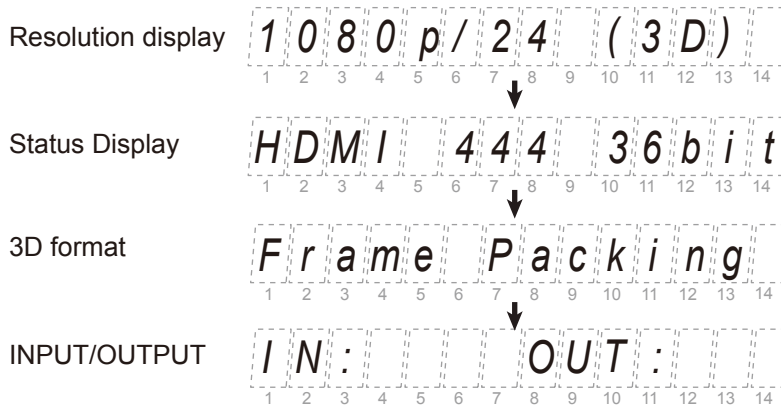
Resolution Error

1	2	3	4	5	6	7	8	9	10	11	12	13	14
3	8	4	0	x	2	1	6	0	p	/	3	0	x

EDID\_READ\_NG

1	2	3	4	5	6	7	8	9	10	11	12	13	14
3	8	4	0	x	2	1	6	0	p	/	3	0	#

**DEBUG MODE-10**  
**HDMI DEBUG MODE-4/6**



Display of Input resolution

RSEN OFF	1 0 8 0 p / 2 4 ( 3 D ) * <small>1 2 3 4 5 6 7 8 9 10 11 12 13 14</small> Display the " *" in column 14
EDID READ NG	H D M I 4 4 4 # 3 6 b i t <small>1 2 3 4 5 6 7 8 9 10 11 12 13 14</small> Display the " #" in column 9
Resolution Error	1 0 8 0 p / 2 4 ( 3 D ) x <small>1 2 3 4 5 6 7 8 9 10 11 12 13 14</small> Display the " x" in column 13

Status

Input Mode	HDMI input	H D M I 4 4 4 3 6 b i t <small>1 2 3 4 5 6 7 8 9 10 11 12 13 14</small>
	DVI input	D V I 4 4 4 3 6 b i t <small>1 2 3 4 5 6 7 8 9 10 11 12 13 14</small>
	No input	- - - 4 4 4 3 6 b i t <small>1 2 3 4 5 6 7 8 9 10 11 12 13 14</small>
Input Color	RGB	H D M I R G B 3 6 b i t <small>1 2 3 4 5 6 7 8 9 10 11 12 13 14</small>
	422	H D M I 4 2 2 3 6 b i t <small>1 2 3 4 5 6 7 8 9 10 11 12 13 14</small>
	444	H D M I 4 4 4 3 6 b i t <small>1 2 3 4 5 6 7 8 9 10 11 12 13 14</small>
Deep Color	24bit	H D M I R G B 2 4 b i t <small>1 2 3 4 5 6 7 8 9 10 11 12 13 14</small>
	30bit	H D M I R G B 3 0 b i t <small>1 2 3 4 5 6 7 8 9 10 11 12 13 14</small>
	36bit	H D M I R G B 3 6 b i t <small>1 2 3 4 5 6 7 8 9 10 11 12 13 14</small>

## DEBUG MODE-11

### HDMI DEBUG MODE-5/6

#### 3D format

Frame Packing	<i>F r a m e _ P a c k i n g _</i> 1 2 3 4 5 6 7 8 9 10 11 12 13 14
Field alternative	<i>F _ a l t e r n a t i v e _</i> 1 2 3 4 5 6 7 8 9 10 11 12 13 14
Line alternative	<i>L _ a l t e r n a t i v e _</i> 1 2 3 4 5 6 7 8 9 10 11 12 13 14
Side-by-Side(Full)	<i>S i d e b y S i d e ( F ) _</i> 1 2 3 4 5 6 7 8 9 10 11 12 13 14
L+depth	<i>L + d e p t h _ _ _ _ _</i> 1 2 3 4 5 6 7 8 9 10 11 12 13 14
L+depth + graphics	<i>L + d e p t h g r a p h i c</i> 1 2 3 4 5 6 7 8 9 10 11 12 13 14
Side by Side(Harf)	<i>S i d e b y S i d e ( H ) _</i> 1 2 3 4 5 6 7 8 9 10 11 12 13 14
Top and Bottom	<i>T o p - a n d - B o t t o m</i> 1 2 3 4 5 6 7 8 9 10 11 12 13 14
unknown	<i>U N K N O W N _ _ _ _ _</i> 1 2 3 4 5 6 7 8 9 10 11 12 13 14

#### INPUT/ OUTPUT

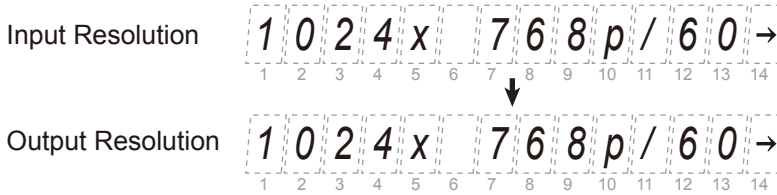
*I N : \* \* O U T : \* \**  
1 2 3 4 5 6 7 8 9 10 11 12 13 14



## DEBUG MODE-12

### HDMI DEBUG MODE-6/6

PC resolution



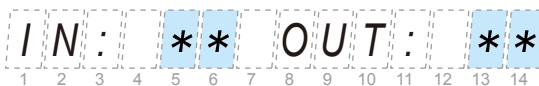
Display of Input resolution

		$*\ * \ * \ * \ x \ * \ * \ * \ * \ p \ / \ * \ * \ \rightarrow$
		<small>1 2 3 4 5 6 7 8 9 10 11 12 13 14</small>
		Horizontal resolution Vertical resolution Referat
DVI input	Display uppercase P/I	$1\ 0\ 2\ 4\ x\ 7\ 6\ 8\ P\ / \ 6\ 0 \rightarrow$ <small>1 2 3 4 5 6 7 8 9 10 11 12 13 14</small>
HDMI input	Display lowercase p/i	$1\ 0\ 2\ 4\ x\ 7\ 6\ 8\ p\ / \ 6\ 0 \rightarrow$ <small>1 2 3 4 5 6 7 8 9 10 11 12 13 14</small>
Three-digit numbers are Referat		$1\ 0\ 2\ 4\ x\ 7\ 6\ 8\ P\ 1\ 2\ 0 \rightarrow$ <small>1 2 3 4 5 6 7 8 9 10 11 12 13 14</small>
No input		$U\ N\ K\ N\ O\ W\ N$ <small>1 2 3 4 5 6 7 8 9 10 11 12 13 14</small>

Display of Output resolution

		$*\ * \ * \ * \ x \ * \ * \ * \ * \ p \ / \ * \ * \ \rightarrow$
		<small>1 2 3 4 5 6 7 8 9 10 11 12 13 14</small>
		Horizontal resolution Vertical resolution Referat
DVI output	Display uppercase P/I	$1\ 0\ 2\ 4\ x\ 7\ 6\ 8\ P\ / \ 6\ 0$ <small>1 2 3 4 5 6 7 8 9 10 11 12 13 14</small>
HDMI output	Display lowercase p/i	$1\ 0\ 2\ 4\ x\ 7\ 6\ 8\ p\ / \ 6\ 0$ <small>1 2 3 4 5 6 7 8 9 10 11 12 13 14</small>
Display "-----"		$\rightarrow\ -\ -\ -\ -\ -$ <small>1 2 3 4 5 6 7 8 9 10 11 12 13 14</small>
Three-digit numbers are Referat		$1\ 0\ 2\ 4\ x\ 7\ 6\ 8\ P\ 1\ 2\ 0$ <small>1 2 3 4 5 6 7 8 9 10 11 12 13 14</small>
EDID READ NG	Display the "#" in column 13	$1\ 0\ 2\ 4\ x\ 7\ 6\ 8\ P\ / \ 6\ 0\ \#$ <small>1 2 3 4 5 6 7 8 9 10 11 12 13 14</small>
Resolution through	Display the "x" in column 13	$1\ 0\ 2\ 4\ x\ 7\ 6\ 8\ P\ / \ 6\ 0\ x$ <small>1 2 3 4 5 6 7 8 9 10 11 12 13 14</small>

INPUT/ OUTPUT



## OPERATION CHECK-1

### 1. OPERATION CHECK(1/2)

#### 1-1. OPERATIONS OF VOLTAGE-DETECTION PROTECTORS.

See "OPERATION CHECK-3,-5" for TEST MODE operation.

NOTE: Don't connect load nor short speaker terminals.

- Change the state to "TEST-4-21".
- It tests by being automatic in order of TEST4-21(FL+) → 22(FR-) → 23(C+) → 24(SL-) → 25(SR+) → 26(SBL-/SW-) → 27(SBR+). If TEST-4-27 (DTR-20.4 is 4-25) is ok, it becomes the display of "TEST-4-35."
- It will complete, if displayed on FL TUBE as "TEST-4-35."

#### 1-2. OPERATIONS OF CURRENT-DETECTION PROTECTORS

See "OPERATION CHECK-3,-5" for TEST MODE operation.

- Change the state to "TEST-4-35".  
Even if you connect 3-ohm load for every channel of L, R, C, SL, SR, SBL and SBRch, a relay should not cut off.  
If 1-ohm load is connected for every channel of L, R, C, SL, SR, SBL and SBRch, a relay should hold the state of ON

#### 1-3. CONFIRMATION OF RDS (RADIO DATA SYSTEM) OPERATION (Applied to MM\*/MP\* type )

- Input 98MHz,30dBμ signal modulated with RDS data.
- When a PS information is received, the name of the station "RDS TEST" shall be displayed within 2 seconds instead of the frequency.

#### 1-4. CONFIRMATION OF HEAD PHONE OPERATION.

Confirm the Listening Mode is automatically switched to "STEREO" mode when headphones plug is inserted into the PHONES jack.

#### 1-5. CONFIRMATION OF FRONT USB

See "OPERATION CHECK-3,-4" for TEST MODE operation.

- Connect ipod to AVR USB port.
- When set to TEST-3-09, confirm that the display of AVR change "connecting" to "press mode" after few seconds.  
iPod classic, 3G nano, 4G nano, 5G nano

#### 1-6. CONFIRMATION OF REAR USB

See "OPERATION CHECK-3,-4" for TEST MODE operation.

Applied to TX-NR515(AE), HT-RC460, TX-NR616(AE), HT-RC470, DTR-20.4, DTR-30.4.

- Connect USB-Storage to AVR USB port.
- When set to TEST-3-9 3-10, confirm that the display of AVR change device name.

#### 1-7. CONFIRMATION OF AirPlay

See "OPERATION CHECK-3,-4" for TEST MODE operation.

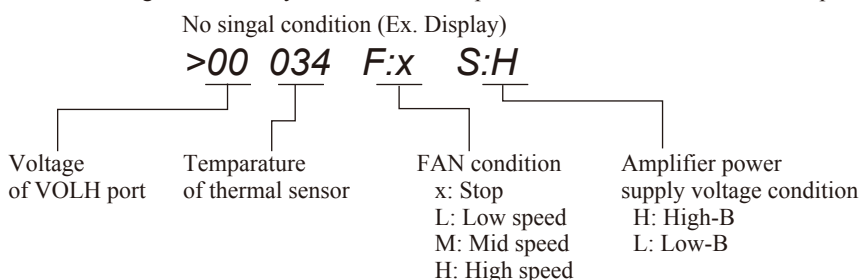
Applied to TX-NR515AE, TX-NR616AE.

- iTunes of PC is started before testing. And Connect the receiver to the router.
- Confirm to display IP address , when TEST MODE is set to TEST-3-18.  
\*Please wait for about 20 seconds after turning on the power supply of the set when you use TEST-3-18.
- Select model name (ex. "TX-NR515AE") in pull-up menu by clicking AirPlay icon on iTunes.
- Click to select an appropriate music content on iTunes, then click Play icon to play music.
- Check sound performance and the content information displayed on AVR VFD.
- Stop music on iTunes, and select "My computer" in pull-up menu by clicking AirPlay icon on iTunes.
- Press ON/STANDBY button, and AirPlay icon is removed on iTunes.

#### 1-8. CONFIRMATION OF OUTPUT SENSOR AND THERMAL SENSOR.

See "OPERATION CHECK-3,-5" for TEST MODE operation.

- Set the TEST MODE to "TEST-4-36" and "TEST-4-37".  
After light "FM STEREO" on FL display ,  
the relays RL691/692 is OFF and "FM STEREO" is off .
- Push ON/Standby button while pushing down DISPLAY button to display CPU PROGRAM version.  
Push TONE button while displaying CPU PROGRAM version to display value of temperature sensor.  
Confirm outside temperature ±20C is displayed immediately after energizing.  
Note that the error margin is caused by the rise of the temperature of the heat sink when time passes.



## OPERATION CHECK-2

### 1.OPERATION CHECK(2/2)

#### 1-9. CONFIRMATION OF OSD(ON SCREEN DISPLAY) OPERATION

- When SETUP button is pushed, confirm that setup menu is displayed in HDMI Out.
- Confirm that specified operations for ENTER(with 4-cursor) buttons are made.

#### 1-10. CONFIRMATION OF HDMI AUDIO OPERATION.

##### CONFIRMATION OF HDMI I2S SIGNAL

See “OPERATION CHECK-3,-6” for TEST MODE operation.

- Input the one of these signals below from HDMI1 terminal.  
DTS-HD MasterAudio 7.1ch  
Dolby TrueHD 7.1ch  
LPCM 7.1ch
- Change the state to TEST 6-00. Confirm the signal is output from L/R,SW/C,SL/SR,SBL/SBR.
- When TEST 6-08, confirm the sound(HDMI1 input) outputs from the TV.

##### CONFIRMATION OF HDMI SPDIF SIGNAL

- SPDIF signal is input from HDMI terminal.
- When TEST 6-06, confirm the sound(HDMI IN1)outputs from the speaker.
- When TEST 6-07, confirm the sound(BD/DVD analog input) outputs from the TV.(VIDEO is HDMI1)

##### CONFIRMATION OF HDMI DSD SIGNAL.

- When TEST 6-10 confirm the sound of DSD 5.1ch input HDMI IN 3, output from the speaker.

#### 1-11. VIDEO FUNCTION CHECK

See “OPERATION CHECK-3,-6” for TEST MODE operation.

- Confirm Video output signal as shown Table 2, while Video signal are input as shown Table 1.

NOTE 1: Confirm the HDMI path at 1080p signal.

NOTE 2: Confirm the TEST5-08(COMPONENT--->HDMI) path at 480i signal.

Table 1

Input	Composite Video		Component		HDMI	
	A	B	IN1	F	IN1	H
BD/DVD	A	B	IN1	F	IN1	H
CBL/SAT	B	B	IN2	G	IN2	J
STB/DVR	C	---	---	No	IN3	K
GAME	D	---	---	No	IN4	L
PC	---	---	---	No	IN5	M
IN6	---	---	---	No	IN6	N
IN7	---	---	---	No	IN7	O
AUX	E	---	---	No	AUX	P
USB	E	---	---	No	---	---

Table 2

Test mode	Composite Video	Component	HDMI	
	Monitor out	OUT	Main	Sub
5-00(BD/DVD)	A	F	H	H
5-01(CBL/SAT)	B	G	J	J
5-02(STB/DVR)	C	---	K	K
5-03(GAME)	D	---	L	L
5-04(PC)	---	---	M	M
5-05(AUX IN6)	---	---	N	N
5-06(IN6 IN7)	---	---	O	O
5-07(IN7 AUX)	---	---	P	P
5-08(BD/DVD)	A	F	F	F
5-09(USB/AUX)	E	---	E	E

- OPERATIONS OF VIDEO SIGNAL-DETECTION

Set the TEST MODE to "TEST 5-00".

When the component video signal is input to IN1, confirm that "RDS" of FL TUBE lights.

#### 1-12. CONFIRMATION OF 12V TRIGGER OPERATIONS.(DTR-20.4/30.4 ONLY)

- After checking that there is no output from 12V TRIGGER A terminal,it checks that there is an output of 12V±10%/150mA after switched the "TEST2-11".
- After checking that there is no output from 12V TRIGGER B terminal,it checks that there is an output of 12V±10%/25mA after about 1 seconds switched the "TEST2-12".
- After checking that there is no output from 12V TRIGGER C terminal,it checks that there is an output of 12V±10%/25mA after 2 seconds switched the "TEST2-13".

#### 1-13. CONFIRMATION OF COOLING FAN OPERATION (TX-NR616/HT-RC470/DTR-30.4 only)

See “OPERATION CHECK-3,-5” for TEST MODE operation.

- Confirm to fan no rotate
- When TEST 4-36 or TEST 4-37, confirm to fan rotate.

#### 1-14. MISCELLANEOUS

- Please confirm LED and FL displaying by the FL test mode.

And confirm the destination setting. ---> See to “OPERATION CHECK-3”

- Confirm the version of each firmware.---> See to “SERVICE PROCEDURE-2”
- Confirm the Firmware Combination Check.---> See to “OPERATION CHECK-3”
- Please confirm the Check Sum.---> See to “OPERATION CHECK-3”

## OPERATION CHECK-3

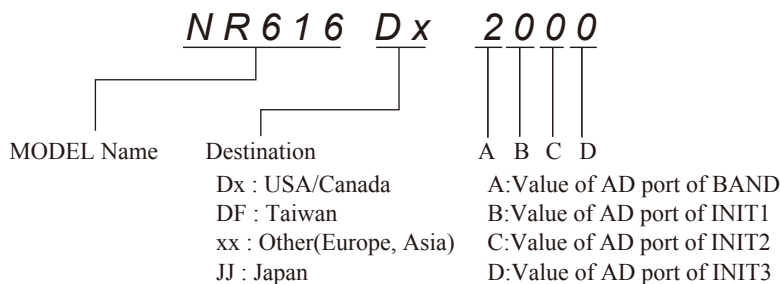
### 2.TEST MODE(1/4)

#### 2-1.TEST MODE FOR MODEL, DESTINATION AND FL DISPLAY

**NOTE1:** If VOL value is not **25**(initial setting), test mode cannot be set.(Apply to TX-NR515/515AE, HT-R791, HT-RC460 and DTR-20.4)

**NOTE2:** If VOL value is not **30**(initial setting), test mode cannot be set.(Apply to TX-NR616/616AE, HT-RC470 and DTR-30.4)

- Push STANDBY/ON key while pushing down TV/CD button button to display "TEST-".
- Then push DIMMER(RT/PTY/TP) button and get the FL test mode.
- In the FL test mode, TONE - button is FL TEST UP and TONE + button is FL TEST DOWN.
- REC OUT and ZONE2 button's originally operation can't work when it is in FL test mode.
- The contents of the step are as follows.
  - Lit all segment
  - Lit '23456789ABCDEF'
  - Lit a even number segment
  - Lit an odd number segment
  - The Destination setting is displayed. Please see the below for detail.
- To close the FL test, push POWER button.



MODEL	TX-NR515				TX-NR515AE			HT-RC460	HT-R791	DTR-20.4	
FL DIS Name	NR515				NR515A			RC460	HT791	DTR204	
Destination	Dx	DF	xx	JJ	Dx	DF	xx	Dx	Dx	Dx	xx
ABCD	2600	0800	8800	4800	2400	0400	8400	2802	2820	2840	8840

MODEL	TX-NR616				TX-NR616AE			HT-RC470	DTR-30.4			
FL DIS Name	NR616				NR616A			RC470	DTR304			
Destination	Dx	DF	xx	JJ	Dx	xx	JJ	Dx	Dx	xx	JJ	
ABCD	2800	0600	8600	4600	2200	8200	4200	2602	2842	8842	4842	

#### 2-2. TEST MODE FOR OPERATION

- Push STANDBY/ON button while pushing down TV/CD button to display "TEST-\_".
- Next, if the following keys are pushed, it becomes a each TEST MODE.
- In the test mode, (TONE)- button is TEST MODE DOWN and (TONE)+ button is TEST MODE UP.
- "TEST-1-00" and "TEST-1-01" are used to check a protection circuit, and the relay recovered in one second.

TEST MODE								
Test No. --->	1-00	2-00	3-00	4-00	5-00	6-00	KEY TEST	IDLING TIMER
Button --->	BD/DVD	CBL/SAT	GAME	PC	AUX	TV/CD	MEMORY (CINEMA FILTER)	TUNING MODE (LATE NIGHT)

TEST MODE			
FL TEST	FIRMWARE VERSION	FIRMWARE COMBINATION CHECK	CHECK SUM
DIMMER (RT/PTY/TP)	TONE	ENTER	When the MPU version is displayed, push "MEMORY(CINEMA FILTER)"

## OPERATION CHECK-4

### 2.TEST MODE(2/4)

#### 2-2. TEST MODE FOR OPERATION(Continue)

e. Test mode is as follows.

TEST No	Analog Input [Rec Sel] (Zone2/Zone3)	Listening Mode/ Input Format	VIDEO Input	Component V	HDMI	12V Trigger	Digital Input /Output	Config.	Master Vol. NonTHX (THX)	Speaker Relay	etc.
1-00	BD/DVD (Off)	Direct	BD/DVD	IN1	IN1	-	-	-	Max(Max)	F/CS/SB/Z2	*1 PROTECT
1-01	BD/DVD (Off)	Direct	BD/DVD	IN1	IN1	-	-	-	Max(Max)	F/CS/SB/Z2	SBL,SBR **1 PROTECTFOR SBL ch"
1-02	BD/DVD (Off)	Direct	BD/DVD	IN1	IN1	-	-	-	MIN(Min)	F/CS/SB/Z2	
2-00	BD/DVD (Off)	Stereo(Direct)	BD/DVD	IN1	IN1	-	-	-	Max(Max)	F	SW=NO
2-01	BD/DVD (Off)	Stereo(Direct)	BD/DVD	IN1	IN1	-	-	-	64(Ref)	F	SW=NO
2-02	BD/DVD (Off)	DVD Direct	BD/DVD	IN1	IN1	-	-	Y/L/L/L/L	Max(Max)	F/CS/SB	
2-03	Multi channel	Multich Amp Test	BD/DVD	IN1	IN1	-	-	Y/L/L/L/L	64(Ref)	F/CS/SB	
2-04	BD/DVD (Off)	VOL Direct	BD/DVD	IN1	IN1	-	-	Y/L/L/L/L	Max(Max)	F/CS/SB	L in ->L,SBL / R in ->R,SR,SBR
2-05	BD/DVD (Off)	ADC DSP 8ch Thru.	BD/DVD	IN1	IN1	-	-	Y/L/L/L/L	62(80)	F/CS/SB	
2-06	BD/DVD (Off)	ADC DSP 8ch Thru.	BD/DVD	IN1	IN1	-	-	Y/L/L/L/L	64(Ref)	F/CS/SB	
2-07	BD/DVD (Off)	ADC DSP 7ch Thru.	BD/DVD	IN1	IN1	-	-	Y/L/L/L/L	57(75)	F/CS/SB	SW=MUTE
2-08	BD/DVD (Off)	ADC DSP 8ch Thru.	BD/DVD	IN1	IN1	-	-	Y/L/L/L/L	52(70)	F/CS/SB	
2-09	BD/DVD (Off)	ADC DSP 8ch Thru.	BD/DVD	IN1	IN1	-	-	Y/L/L/L/L	MIN(Min)	F/CS/SB	
2-10	BD/DVD (Off)	ADC DSP 8ch Thru.	BD/DVD	IN1	IN1	-	-	Y/L/L/L/L	64(Ref)	CS/SB	SPRLF OFF
2-11	CBL/SAT (Off)	Automatic	CBL/SAT	-	IN2	A	*OPT1	Y/L/L/L/L	64(Ref)	F/CS/SB	
2-12	CBL/SAT (Off)	Automatic	CBL/SAT	-	IN2	B	*COAX1	Y/L/L/L/L	64(Ref)	F/CS/SB	
2-13	CBL/SAT (Off)	DIR DSP 8ch Thru	CBL/SAT	-	IN3	C	*OPT1	Y/L/L/L/L	64(Ref)	F/CS/SB	AMUT OFF
2-14	GAME (Off)	DIR DSP 8ch Thru	GAME	-	IN4				64(Ref)		
2-15	AUX (Off)	DIR DSP 8ch Thru	AUX	-	-		OPT1	Y/L/L/L/L	64(Ref)	F/CS/SB	
2-16	BD/DVD (Off)	DIR DSP 8ch Thru	BD/DVD	-	-		COAX1	Y/L/L/L/L	Max(Max)	F/CS/SB	
2-17	BD/DVD (Off)	DIR DSP 8ch Thru	BD/DVD	-	-		COAX1	Y/L/L/L/L	64(Ref)	F/CS/SB	
2-18	CBL/SAT (Off)	Automatic	BD/DVD	DVD	IN2		*OPT2	Y/L/L/L/L	52(70)	F/CS/SB	
2-19	BD/DVD (Off)	DIR DSP 8ch Thru	BD/DVD	DVD	IN2		*OPT2	Y/L/L/L/L	64(Ref)	F/CS/SB	
2-20	BD/DVD (Off)	DIR DSP 8ch Thru	BD/DVD	DVD	IN2		*OPT2	Y/L/L/L/L	64(Ref)	F	
2-21	BD/DVD (Off)	DIR DSP 8ch Thru	BD/DVD	DVD	IN3		*COAX2	Y/L/L/L/L	64(Ref)	F	
2-22	DVD/Source	DIR DSP 8ch Thru	BD/DVD	DVD	IN3		*COAX2	Y/L/L/L/L	64(Ref)	CS	
2-23	MIC	ADC DSP 8ch Thru.	BD/DVD	DVD	IN1	-	-	Y/L/L/L/L	64(Ref)	F/CS/SB	
2-24	MIC	ADC DSP 8ch Thru.	BD/DVD	DVD	IN1	-	-	Y/L/L/L/L	64(Ref)	F/CS/SB	MICMUTE ON
2-26	PC (Off)	DIR DSP 8ch Thru	PC -	-	-		OPT1	Y/L/L/L/L	4-Mar-00	F/CS/SB	
3-00	FM/Source	Stereo(Direct)	DVD	DVD	IN1	-	-	-	64(Ref)	F	
3-01	GAME (TV/CD)	Stereo(Direct)	DVD	DVD	IN1	-	-	-	Max(Max)	F/Z2	
3-02	GAME (TV/CD)	Stereo(Direct)	DVD	DVD	IN1	-	-	-	64(Ref)	F/Z2	Z2/Z3Vol=Fix 64(78)
3-03	GAME (TV/CD)	Stereo(Direct)	DVD	DVD	IN1	-	-	-	64(Ref)	F/Z2	Z2MUTE ON Z2/Z3Vol=Fix 64(78)
3-04	TV/CD (Off)	ALL CH STEREO	DVD	DVD	IN1	-	-	Y/L/L/L/L	64(Ref)	F/CS/FH	
3-05	Sirius (Off)	Stereo(Direct)	DVD	DVD	IN1	-	SIRIUS JIG Board	-	43(61)	F	
3-06	PORT (Source)	ADC DSP 8ch Thru.	PORT	-	-	-	-	-	57(75)	F	
3-09	USB/(Source)	Stereo(Direct)	Last	-	-	-	FrontUSB	-	57	F	*2
3-10	USB/(Source)	Stereo(Direct)	Last	-	-	-	RearUSB	-	57	F	
3-11	NET/(Source)	Stereo(Direct)	Last	-	-	-	NET	-	48	F	"Output Level / Distortion" "WAV, 44.1kHz, 16bit, 1kHz, 0dBfs, from server"
3-12	NET/(Source)	Stereo(Direct)	Last	-	-	-	NET	-	Max	F	SN Ratio "WAV, 44.1kHz, 16bit, -∞dBfs, from server"
3-13	NET/(Source)	Stereo(Direct)	Last	-	-	-	NET	-	48	F	Freq. Resp. "WAV, 44.1kHz, 16bit, 20Hz, 0dBfs, from server"
3-14	NET/(Source)	Stereo(Direct)	Last	-	-	-	NET	-	48	F	Freq. Resp. "WAV, 44.1kHz, 16bit, 20kHz, 0dBfs, from server"
3-15	NET/(Source)	Stereo(Direct)	Last	-	-	-	NET	-	48	F	Separation "WAV, 44.1kHz, 16bit, 1kHz, 0dBfs, Lch from server"
3-16	NET/(Source)	Stereo(Direct)	Last	-	-	-	NET	-	48	F	Separation "WAV, 44.1kHz, 16bit, 1kHz, 0dBfs, Rch from server"
3-17	NET/(Source)	Stereo(Direct)	Last	-	-	-	NET	-	48	F	"Output Level / Distortion" "WAV, 48kHz, 16bit, 1kHz, 0dBfs, from server"
3-18	NET/(Source)	Stereo(Direct)	Last	-	-	-	NET	-	48	F	Net connection check display IP address
3-20	GAME (TV/CD)	Stereo(Direct)	DVD	DVD	IN1	-	-	-	64(Ref)	F/Z2	"Z2/Z3Vol=60(78)Z2 Bass=Max"
3-21	GAME (TV/CD)	Stereo(Direct)	DVD	DVD	IN1	-	-	-	64(Ref)	F/Z2	"Z2/Z3Vol=60(78)Z2 Bass=Min"
3-22	GAME (TV/CD)	Stereo(Direct)	DVD	DVD	IN1	-	-	-	64(Ref)	F/Z2	"Z2/Z3Vol=60(78)Z2 Treble=Max"
3-23	GAME (TV/CD)	Stereo(Direct)	DVD	DVD	IN1	-	-	-	64(Ref)	F/Z2	"Z2/Z3Vol=60(78)Z2 Treble=Min"

In all test modes, it is not concerned with detection of VOLH but SEC1H are made "H" fixation. (Except TEST4-36 and 4-37.)

\*1: All SP-RELAYS are turned ON only at the time of this STEP.

Moreover, whether make RELAY restoration time at the time of protection operation into 1 second, and PROTECT input "H" is detected how many times or it continues 1 second or more, RELAY is not held at OFF or POWER OFF is not carried out, either.

When "H" is 1 seconds or more to PROTECT input and it is set to "L", RELAY is turned ON again.

Moreover, not any MUTE is outputted at the time of this STEP.

## OPERATION CHECK-5

### 2.TEST MODE(3/4)

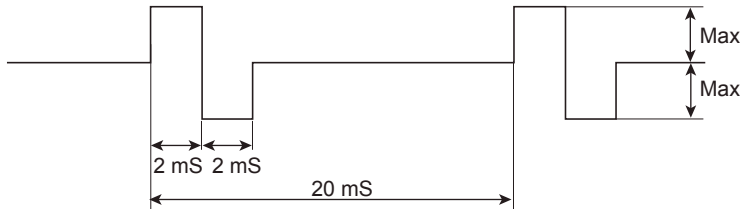
#### 2-2. TEST MODE FOR OPERATION(Continue)

Auto Measurement Mode

TEST No.	DSP Output ch	DSP Output Frequency	DSP Output Voltage	CConfig.	Master Vol. NonTHX (THX)	Speaker Relay	etc.	
4-00	ALL	1kHz	-20dBFS	Y/L/L/L/L	64(Ref)	F/CS/SB	*5	DSP Gain
4-01	ALL	30Hz	-20dBFS	Y/L/L/L/L	64(Ref)	F/CS/SB	*5	DSP Freq.Response
4-02	ALL	20kHz	-20dBFS	Y/L/L/L/L	64(Ref)	F/CS/SB	*5	DSP Freq.Response
4-03	SW	30Hz	-20dBFS	N/L/L/L/L	58(76)	F/CS/SB	*5	Characteristic(1)
4-04	FL,FR	30Hz	-20dBFS	N/L/L/L/L	64(Ref)	F/CS/SB	*5	Characteristic(2)
4-05	FR,C,SL,SR,SBL,SBR,SW	10kHz	-20dBFS	Y/L/L/L/L	64(Ref)	F/CS/SB	Mute:FL *5	Separation
4-06	FL,C,SL,SR,SBL,SBR,SW	10kHz	-20dBFS	Y/L/L/L/L	64(Ref)	F/CS/SB	Mute:FR *5	Separation
4-07	FL,FR,SL,SR,SBL,SBR,SW	10kHz	-20dBFS	Y/L/L/L/L	64(Ref)	F/CS/SB	Mute:C *5	Separation
4-08	FL,FR,C,SR,SBL,SBR,SW	10kHz	-20dBFS	Y/L/L/L/L	64(Ref)	F/CS/SB	Mute:SL *5	Separation
4-09	FL,FR,C,SL,SBL,SBR,SW	10kHz	-20dBFS	Y/L/L/L/L	64(Ref)	F/CS/SB	Mute:SR *5	Separation
4-10	FL,FR,C,SL,SR,SBR,SW	10kHz	-20dBFS	Y/L/L/L/L	64(Ref)	F/CS/SB	Mute:SBL *5	Separation
4-11	FL,FR,C,SL,SR,SBL,SW	10kHz	-20dBFS	Y/L/L/L/L	64(Ref)	F/CS/SB	Mute:SBR *5	Separation
4-12	FL,FR,C,SL,SR,SBL,SBR	30Hz	-20dBFS	Y/L/L/L/L	64(Ref)	F/CS/SB	Mute:SW *5	Separation
4-13	ALL	1kHz	-20dBFS	Y/L/L/L/L	64(Ref)	F/CS/SB	*mut on *5	Muting
4-14	ALL	30Hz	-20dBFS	Y/L/L/L/L	64(Ref)	F/CS/SB	*mut on *5	Muting
4-15	ALL	1kHz	-20dBFS	Y/L/L/L/L	Min(Min)	F/CS/SB	*5	Volume Max.Attenuation
4-16	ALL	30Hz	-20dBFS	Y/L/L/L/L	Min(Mind)	F/CS/SB	*5	Volume Max.Attenuation
4-17	ALL	100Hz	-20dBFS	Y/L/L/L/L	64(Ref)	F/CS/SB	BASS ALL:+12	BASS Max.
4-18	ALL	10kHz	-20dBFS	Y/L/L/L/L	64(Ref)	F/CS/SB	TREBLE ALL+12	TREBLE Max.
4-19	ALL	100Hz	-20dBFS	Y/L/L/L/L	64(Ref)	F/CS/SB	BASS ALL:-12	BASS Min.
4-20	ALL	10kHz	-20dBFS	Y/L/L/L/L	64(Ref)	F/CS/SB	TREBLE ALL-12	TREBLE Min.
4-21	FL	+DC	+Max	Y/L/L/L/L	Max(Max)	F/CS/SB	*1,*2	+DC Protect
4-22	FR	-DC	-Max	Y/L/L/L/L	Max(Max)	F/CS/SB	*1,*2	-DC Protect
4-23	C	+DC	+Max	Y/L/L/L/L	Max(Max)	F/CS/SB	*1,*2	+DC Protect
4-24	SL	-DC	-Max	Y/L/L/L/L	Max(Max)	F/CS/SB	*1,*2	-DC Protect
4-25	SR	+DC	+Max	Y/L/L/L/L	Max(Max)	F/CS/SB	*1,*2	+DC Protect
4-26	SBL	-DC	-Max	Y/L/L/L/L	Max(Max)	F/CS/SB	*1,*2	-DC Protect
4-27	SBR	+DC	+Max	Y/L/L/L/L	Max(Max)	F/CS/SB	*1,*2	+DC Protect
4-28	FL	-DC	-Max	Y/L/L/L/L	Max(Max)	F/CS/SB	*1,*2	-DC Protect
4-29	FR	+DC	+Max	Y/L/L/L/L	Max(Max)	F/CS/SB	*1,*2	+DC Protect
4-30	C	-DC	-Max	Y/L/L/L/L	Max(Max)	F/CS/SB	*1,*2	-DC Protect
4-31	SL	+DC	+Max	Y/L/L/L/L	Max(Max)	F/CS/SB	*1,*2	+DC Protect
4-32	SR	-DC	-Max	Y/L/L/L/L	Max(Max)	F/CS/SB	*1,*2	-DC Protect
4-33	SBL	+DC	+Max	Y/L/L/L/L	Max(Max)	F/CS/SB	*1,*2	+DC Protect
4-34	SBR	-DC	-Max	Y/L/L/L/L	Max(Max)	F/CS/SB	*1,*2	-DC Protect
4-35	ALL	Pulse	-10dBFS	Y/L/L/L/L	58(76)	F/CS/SB	*1,*3	Current Protect
4-36	FL,FR,C,SL,SR	1kHz	0dBFS	Y/L/L/L/L	64(Ref)	F/CS/SB	*4	VOLH DET
4-37	C,SL,SR,SBL,SBR	1kHz	0dBFS	Y/L/L/L/L	64(Ref)	F/CS/SB	*4	VOLH DET
4-38	*7							Key Test,SEC1H="L"

\*2 : When TEST No. 4-21 ~ 34 is setted, DC vorage is putted out immediately at each channel. (within 100msec.)

\*3 : The following signal is putted out at all channel continuously in TEST4-35



\*4 : VOLH is detected and H/L of SEC1H is changed.

A detection level is the same as the normal mode.

When it is detected, light "FM STEREO" on FLD.

\*7 : In TEST4-38, some character is displayed while pushing down some button. Another character shall be displayed by each button.

\*8 : In TEST3-06,when I-Pod pull out from jug I-POD DET is detected than change to standby.



## OPERATION CHECK-6

### 2.TEST MODE(4/4)

#### 2-2. TEST MODE FOR OPERATION(Continue)

##### VIDEO & HDMI TEST MODE

TEST No.	Input selector	DIGITAL INPUT	COMPO-NENT/D4	VoVolume NonTHX/THX	HDMI	MODE	etc
5-00	BD/DVD	HDMI	IN1	31/51	IN1	Through(Main/Sub:Both)	Audio TV OUT = ON
5-01	CBL/SAT	HDMI	-	31/51	IN2	Through(Main/Sub:Both)	Audio TV OUT = ON
5-02	GAME	HDMI	-	31/51	IN3	Through(Main/Sub:Both)	Audio TV OUT = ON
5-03	PC	HDMI	-	31/51	IN4	Through(Main/Sub:Both)	Audio TV OUT = ON
5-04	IN5	HDMI	-	31/51	IN5	Through(Main/Sub:Both)	Audio TV OUT = ON
5-05	AUX IN6	HDMI	-	31/51	AUX IN6	Through(Main/Sub:Both)	Audio TV OUT = ON
5-06	IN6 IN7	HDMI	-	31/51	IN6 IN7	Through(Main/Sub:Both)	Audio TV OUT = ON
5-07	IN7 AUX	HDMI	-	31/51	IN7 AUX	Through(Main/Sub:Both)	Audio TV OUT = ON
5-08	BD/DVD	-	IN1	MIN	-	COMPONENT--->HDMI(Main/Sub:Both)	
5-09	USB/AUX(30.4)	-	-	MIN	-	CV--->HDMI(Main/Sub:Both)	
	BD/DVD	-	-	MIN	-	CV--->HDMI(Main)	20.4 ONLY
6-00	BD/DVD	HDMI	IN1	40/60	IN1	HDMI I2S SIGNAL/CEC Check	DIRECT
6-01	CBL/SAT	HDMI	-	40/60	IN2	HDMI I2S SIGNAL/CEC Check	DIRECT
6-04	BD/DVD	HDMI	IN1	40/60	IN3	HDMI DSD SIGNAL	DIRECT
6-06	BD/DVD	HDMI	IN1	40/60	IN1	HDMI SPDIF SIGNAL	
6-07	BD/DVD	COAX1*	IN1	MIN	IN1	Audio TV OUT = ON, VOL=0, ANALOG(DVD)	
6-08	BD/DVD	HDMI	IN1	MIN	IN1	Audio TV OUT = ON, VOL=0, I2S SIGNAL	
6-09	TV/CD	HDMI ARC	-	40/60	-	HDMI AUDIO RETURN CHANNEL	
6-10	BD/DVD	HDMI	IN1	40/60	IN3	HDMI DSD SIGNAL	Output CH = L/R to L/R
6-11	BD/DVD	HDMI	IN1	40/60	IN3	HDMI DSD SIGNAL	Output CH = C/SW to L/R
6-12	BD/DVD	HDMI	IN1	40/60	IN3	HDMI DSD SIGNAL	Output CH = SL/SR to L/R
6-14	BD/DVD	HDMI	IN1	30/50	IN2	Normal operation	DIRECT
6-20	AUX	HDMI	-	31/51	AUX	MHL Check(WAKE UP/CABLE DET)	
6-21	AUX	HDMI	-	31/51	AUX	MHL Check(VBUS=OFF)	
6-22	AUX	HDMI	-	31/51	AUX	MHL Check(VBUS=ON)	

##### NOTES

1. DSP Thru of Lstn Mode outputs L Input signal to L/C/LS/SB, and outputs R Input signal to R/RS/SBR/RSW.
2. Config. is in order of SW/Front/Center/Surround/Surround Back.
3. Mute is function to stop output(from the channel) by using inner DSP programming.
4. When Lstn Mode is DSP thru, an analog SW is changed into the state of SURROUND.
5. At the time of PRTCTTHM detection, it is displayed on FLT as "THERMAL PROTECT".

f. Following frequencies are automatically written in the preset memory, when the unit goes into test mode.

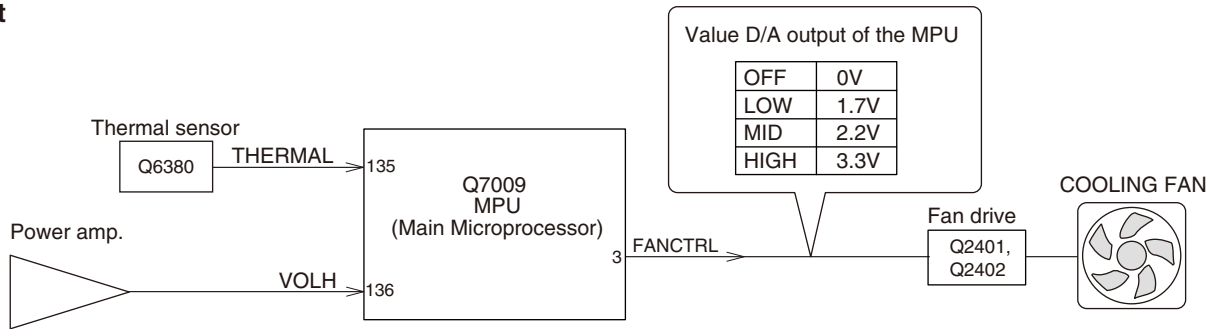
	PRESET No.	MD*	MW*(10k)	MP*,MG* MW*(9k)	MJJ
FM	1	89.9MHz	89.90MHz	89.90MHz	76.00MHz
	2	97.9MHz	97.90MHz	97.90MHz	82.00MHz
	3	98.9MHz	98.90MHz	98.90MHz	83.00MHz
	4	107.1MHz	107.10MHz	107.10MHz	84.00MHz
	5	107.9MHz	107.90MHz	107.90MHz	90.00MHz
	6	100.1MHz	100.10MHz	100.10MHz	80.00MHz
	7	88.1MHz	88.10MHz	88.10MHz	85.10MHz
	8	104.1MHz	104.10MHz	104.10MHz	88.10MHz
	9	95.3MHz	95.30MHz	95.30MHz	76.00MHz
	10	106.7MHz	106.70MHz	106.70MHz	90.00MHz
AM	11	530KHz	530KHz	522KHz	522kHz
	12	630KHz	630KHz	630KHz	630kHz
	13	990KHz	990KHz	990KHz	990kHz
	14	1440KHz	1440KHz	1440KHz	1440kHz
	15	1710KHz	1710KHz	1611KHz	1611kHz
	16	670KHz	670KHz	666KHz	666kHz
	17	830KHz	830KHz	828KHz	828kHz
	18	1310KHz	1310KHz	1314KHz	1314kHz
	19	1200KHz	1200KHz	1197KHz	1197kHz
	20	530KHz	530KHz	522KHz	522kHz
FM	21	87.5MHz	87.50MHz	87.50MHz	76.00MHz
	22	107.9MHz	108.00MHz	108.00MHz	90.00MHz
	23	103.7MHz	104.00MHz	104.00MHz	79.80MHz
	24	104.5MHz	104.20MHz	104.20MHz	80.20MHz
AM	25	1180kHz	1180kHz	1179kHz	1179kHz
	26	1220kHz	1220kHz	1215kHz	1215kHz



## OPERATION CHECK-7

### COOLING FAN (TX-NR616/616AE/ HT-RC470 only)

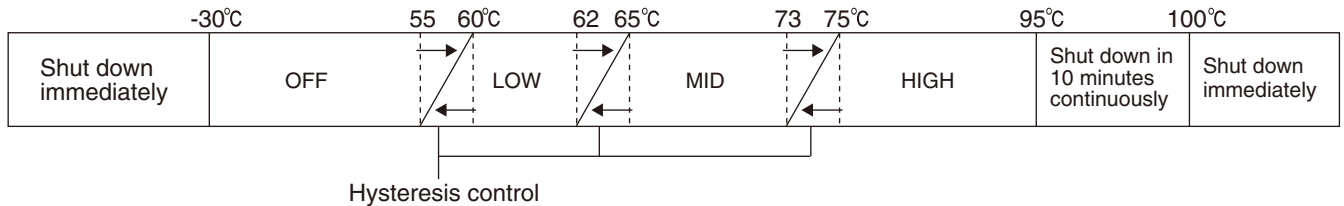
#### Circuit



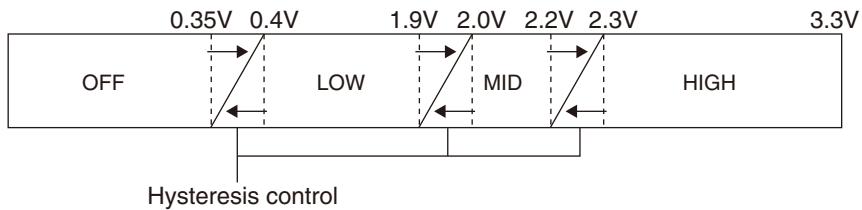
#### Condition to operate

		VOLH							
		Normal/ Bi-Amp				Powerd Zone-2, 3			
		OFF or Headphone	LOW	MID	HIGH	OFF or Headphone	LOW	MID	HIGH
THERMAL	OFF	LOW	STOP	STOP	STOP	STOP	STOP	STOP	STOP
	LOW	LOW	LOW	LOW	LOW	LOW	LOW	LOW	LOW
	MID	LOW	MID	MID	MID	MID	MID	MID	MID
	HIGH	MID	HIGH	HIGH	HIGH	HIGH	HIGH	HIGH	HIGH

THERMAL (Temperature of thermal sensor)



VOLH (Voltage of VOLH port)



#### How to check

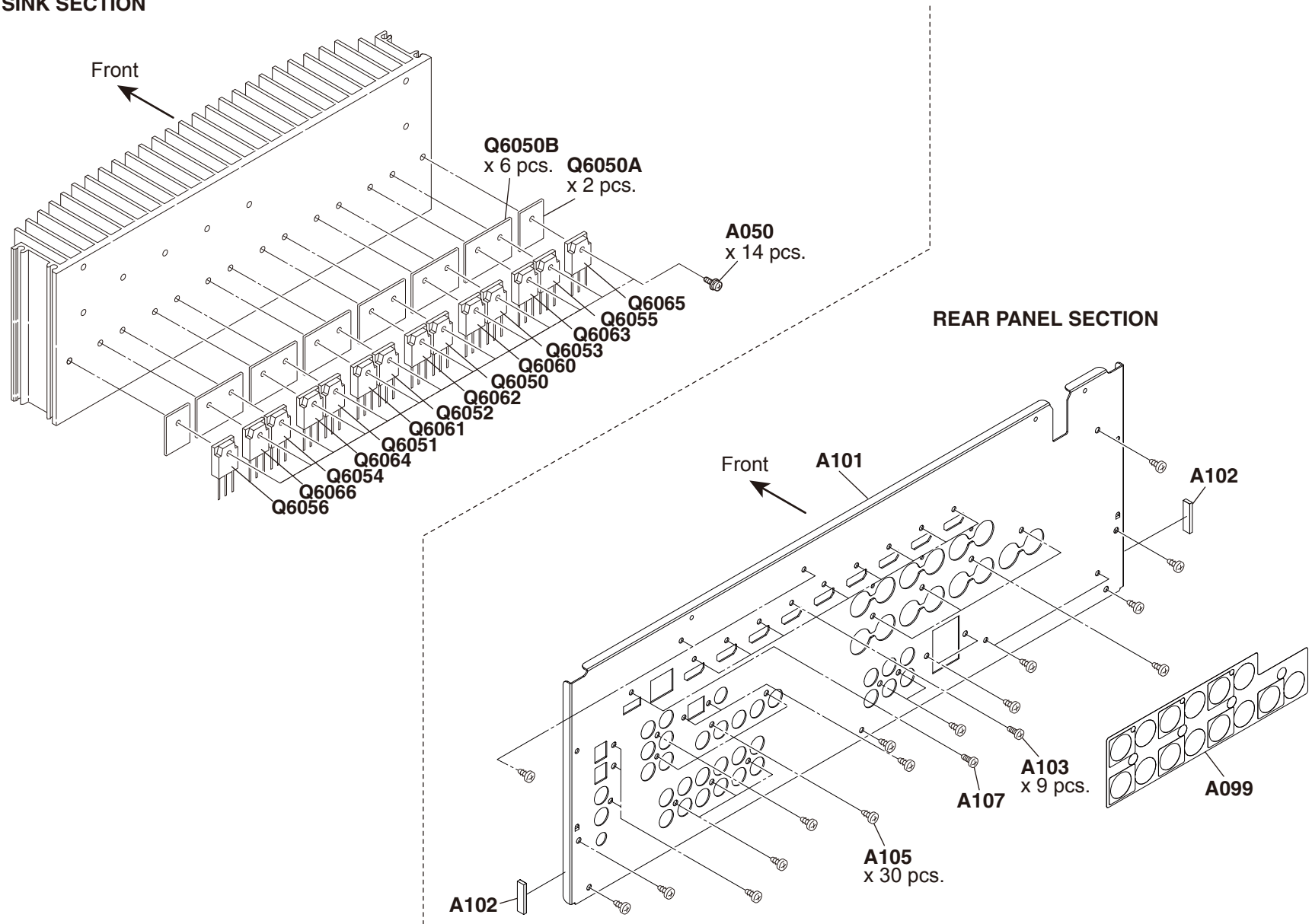
- How to check Cooling Fan.  
See 1-13 in "OPERATION CHECK-2".
- How to check the value of THERMAL and VOLH.  
See 1-8 in "OPERATION CHECK-1".



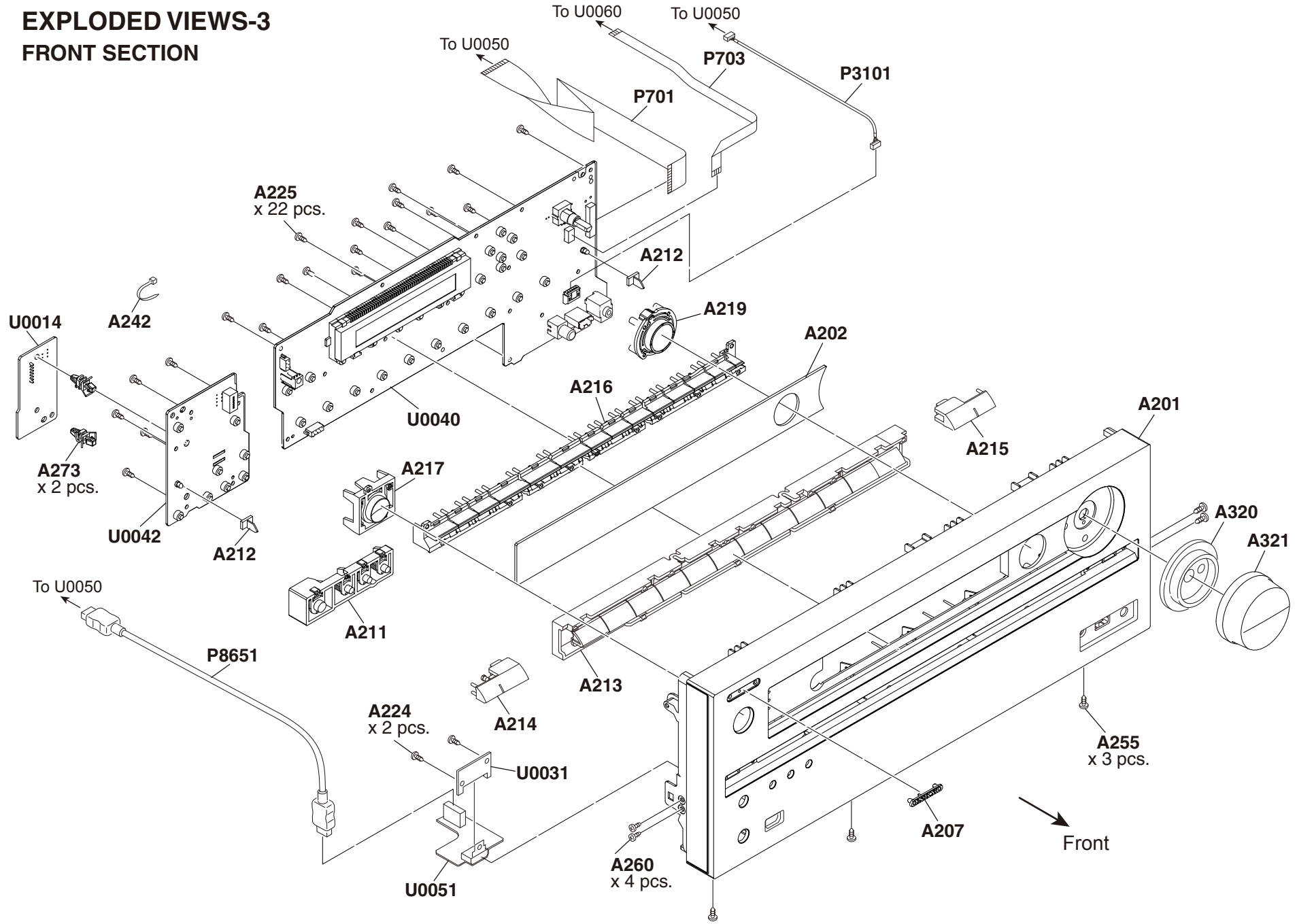
## EXPLODED VIEWS-2

### HEAT SINK / REAR PANEL SECTION

#### HEAT SINK SECTION



**EXPLODED VIEWS-3**  
**FRONT SECTION**

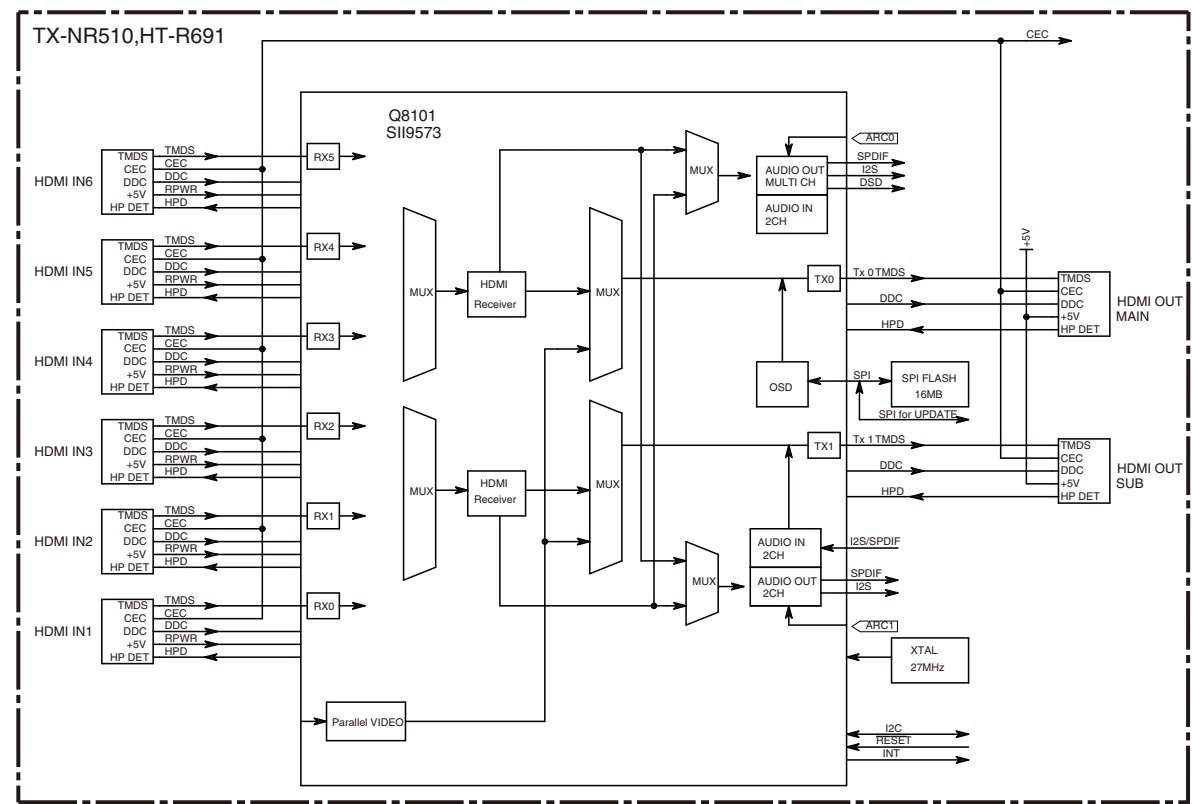




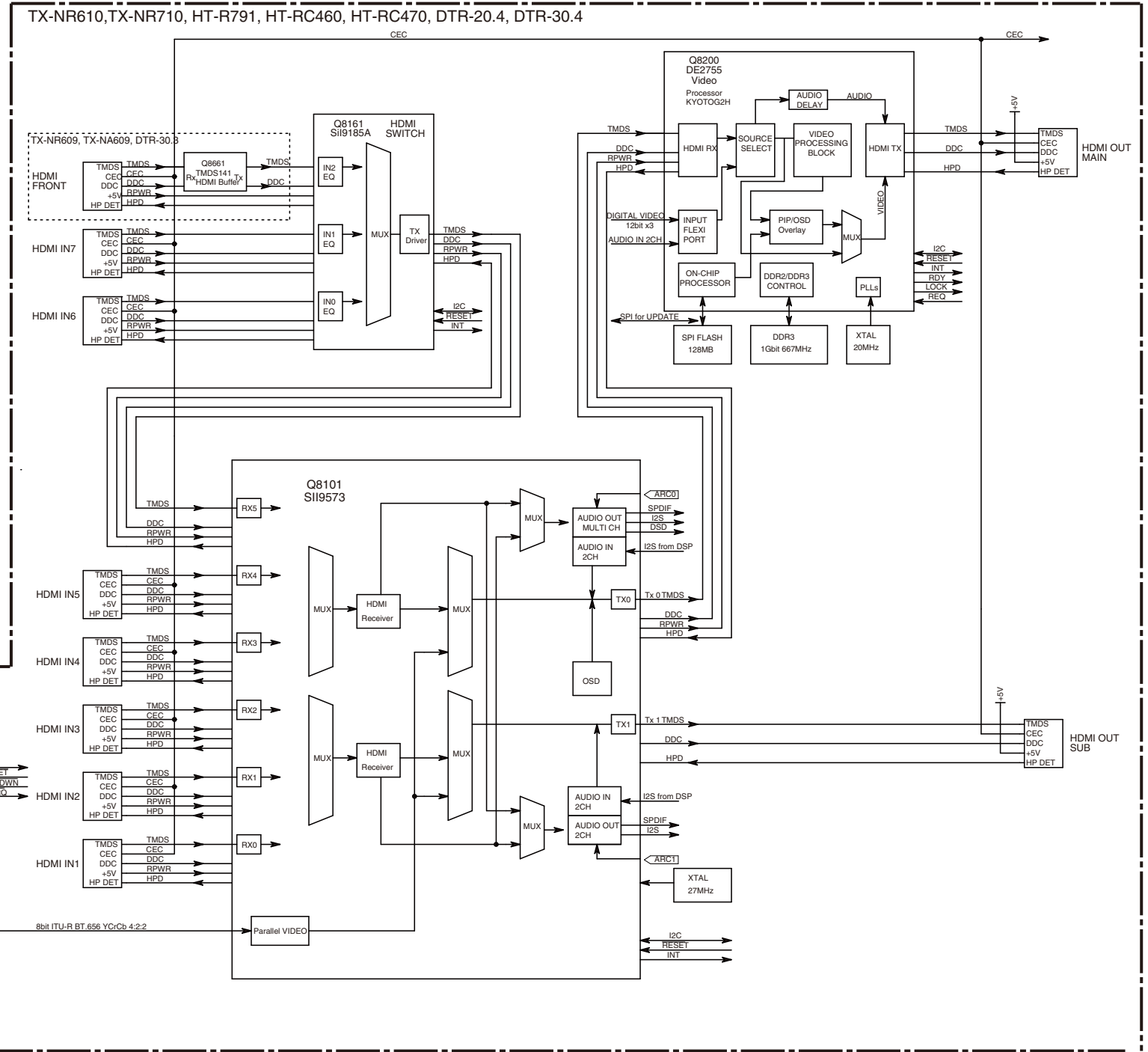


**SCHEMATIC DIAGRAMS-2 (PART-2)**  
**BLOCK DIAGRAM VIDEO SECTION**

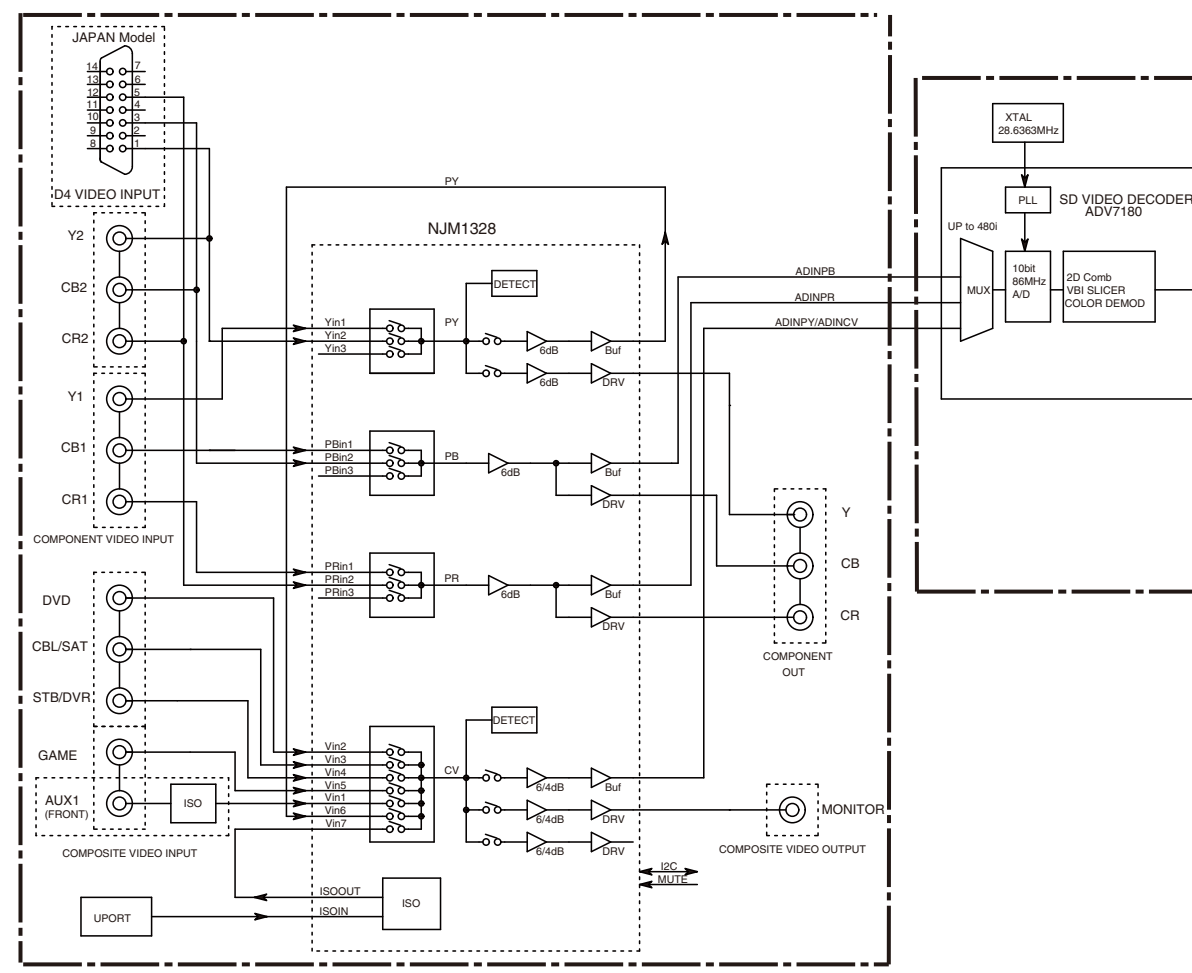
1



2



3



4

5

**SCHEMATIC DIAGRAMS-3 (PART-3)**  
**BLOCK DIAGRAM (DIGITAL AUDIO) SECTION**

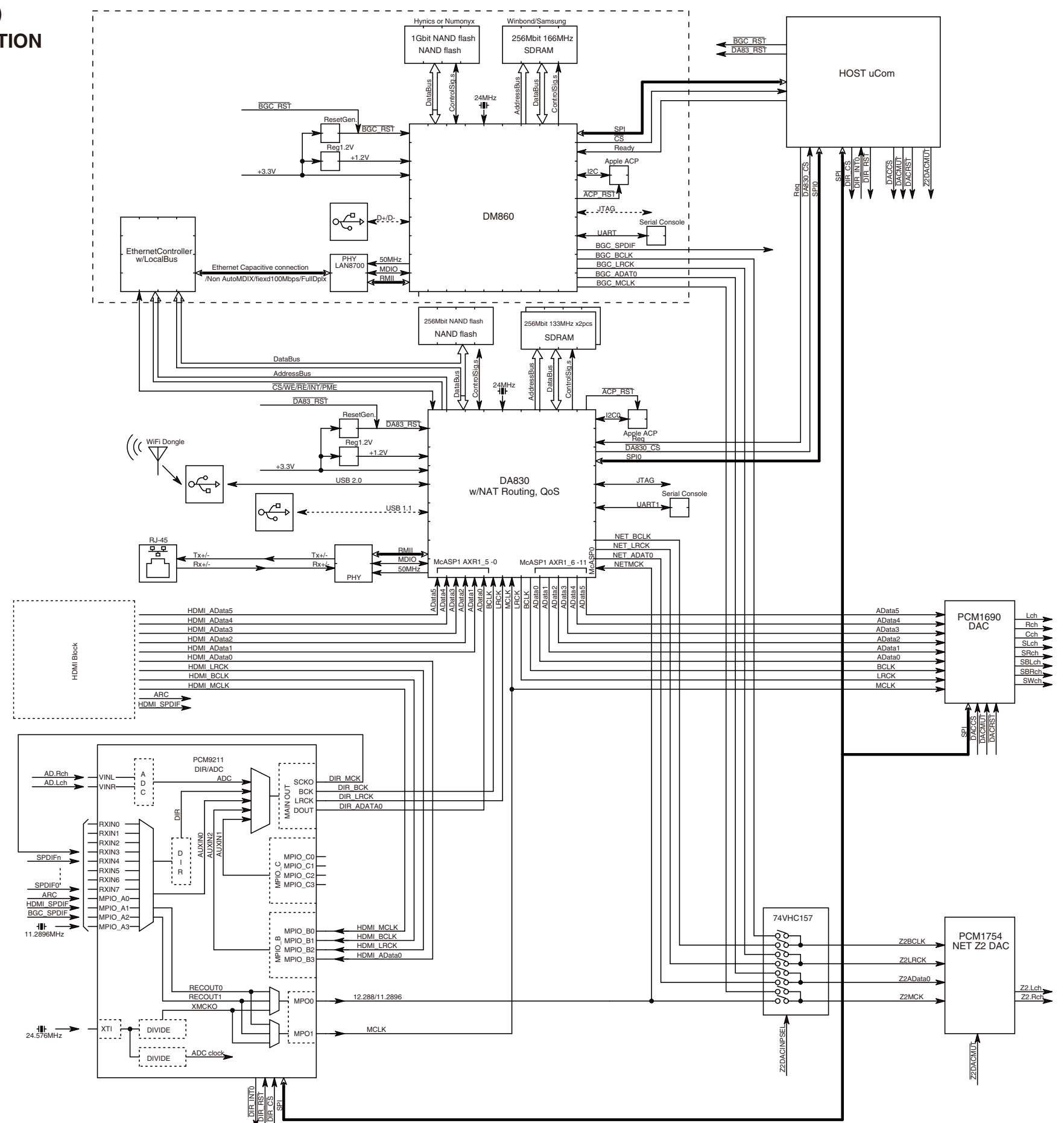
1

2

3

4

5











**SCHEMATIC DIAGRAMS-6 (PART-6)**  
**AMP(CLASS-A) SECTION**

**ADJUSTMENT OF IDLING CURRENT**

- [NOTES]  
1. Set R6040 ~ 6046 to minimum position before POWER ON.  
2. Equip series 1/4W 100-ohm resistors near the terminal respectively in the each poles of the jig used for P6080 ~ 6086 terminals.

- [PROCEDURES]  
a. Set the voltages at P6080 ~ 6086 to 2.5mV by adjusting R6040 ~ 6046, under the condition of no input and no load, immediately after POWER ON.  
b. 4 ~ 6 minutes of heat running.  
c. Re-adjust by following procedure.

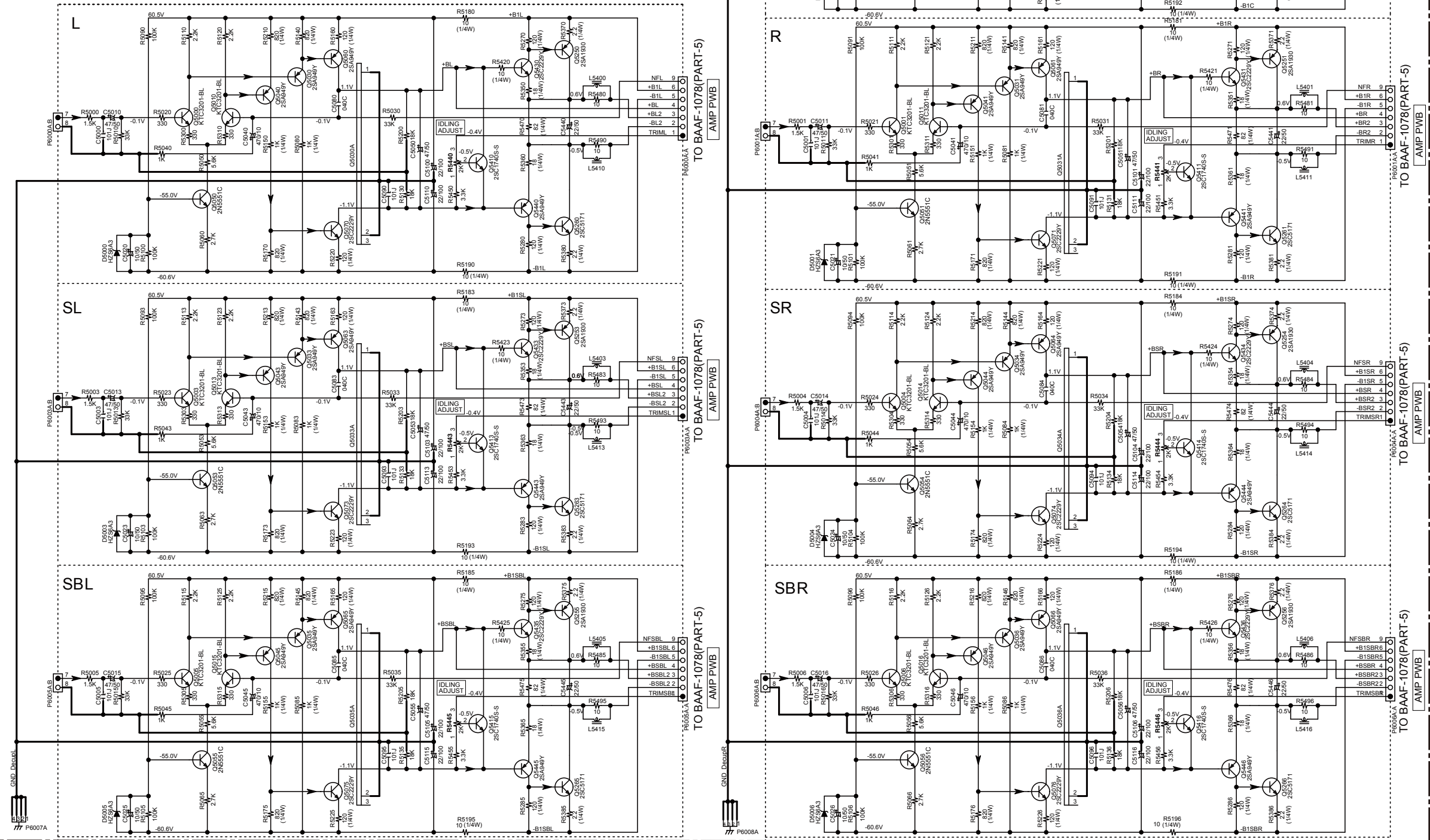
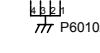
L/ C/ R		SL/ SR/ SBL/ SBR	
Below 7mV	→ Return to 'b', after it adjusted to 7mV	Below 6mV	→ 6mV
Between 7 ~ 9mV	→ Leave it as it is.	Between 6 ~ 8mV	→ Leave it as it is.
Over 9mV	→ 11mV	Over 8mV	→ 8mV

**BACLA-1085**  
**CLASS-A**  
**AMPLIFIER PC BOARD**

CODE	MODEL
D3	DTR-30.4
T6	TX-NR616
H47	HT-RC470

**BAETC-1086**

**BAETC-1086**



1

2

3

4

5

SCHEMATIC DIAGRAMS-7 (PART-7)  
DIGITAL SECTION

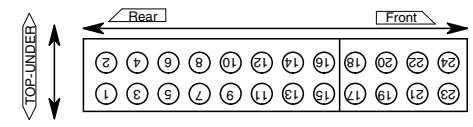
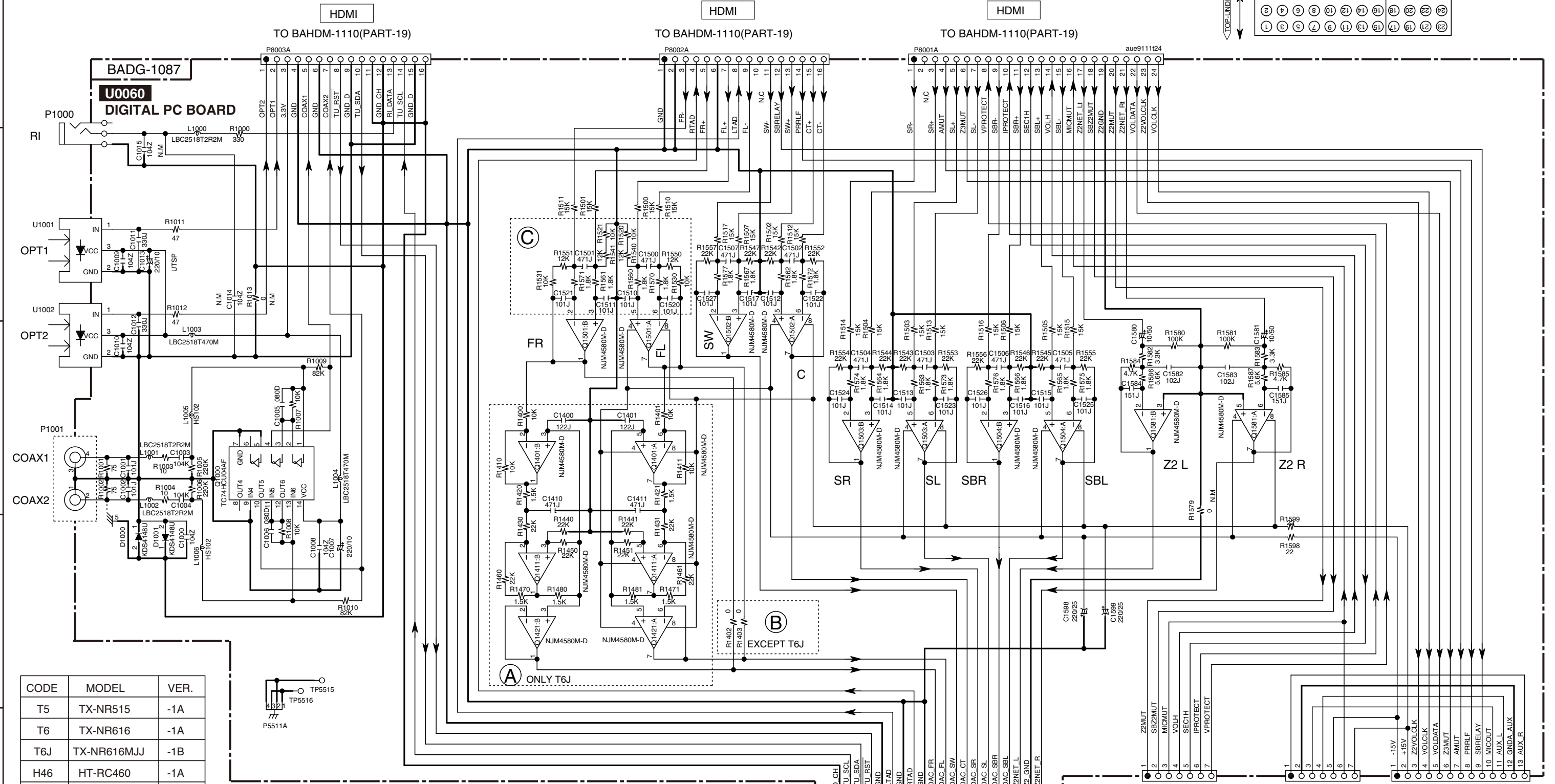
1

2

3

4

5



CODE	MODEL	VER.
T5	TX-NR515	-1A
T6	TX-NR616	-1A
T6J	TX-NR616MJJ	-1B
H46	HT-RC460	-1A
H47	HT-RC470	-1A
H79	HT-R791	-1A
D2	DTR-20.4	-1C
D3	DTR-30.4	-1C

TABLE A

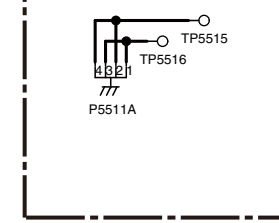
ADD/DEL	VER.
ADD	-1B
DEL	-1A/-1C

TABLE B

ADD/DEL	VER.
ADD	-1A/-1C
DEL	-1B

TABLE C

REF.NO.	T6J	OTHER
C1500,C1501	331J	471J
C1510,C1511,C1520,C1521	470J	101J
R1520,R1521,R1530,R1531	22K	10K
R1540,R1541,R1550,R1551	22K	12K
R1560,R1561,R1570,R1571	2.2K	1.8K



ASP  
TO BAAF-1070(PART-4)  
TO BAAF-1078(PART-4)

ASP  
TO BAAF-1070(PART-4)  
TO BAAF-1078(PART-4)

DISPLAY  
FROM BADIS-1093(PART-10)  
FROM BADIS-1101(PART-10)  
TO BAAF-1070(PART-4)  
TO BAAF-1078(PART-4)

SCHEMATIC DIAGRAMS-8 (PART-8)  
VIDEO SECTION

1

2

3

4

5

BAVD-1094  
BAVD-1102  
U0041  
VIDEO PC BOARD

No use  
D term Area

ONLY T5/H69 For no Upcon(C2017)  
DIS-1093-1A/B

ONLY T5/T6/H46/H79/R47/D2/D3  
DIS-1093-1C/D/E DIS-1101-1

ONLY T4/H75/D2/D3 DIS-1093-1A/B DIS-1101-1  
(For No HDMI Upcon Model and Integra)  
(For D term Circuit)  
If Upcon Model, COMPONENT IN is 1 IN  
If NO Upcon Model and Integra, COMPONENT IN is 2 IN

ONLY T5/H46/H79/T6/H47 DIS-1093-1C/D/E  
(For HDMI Upcon Model)

CODE	MODEL	CODE	MODEL
T4	TX-NR414	T6	TX-NR616
T5	TX-NR515	T6J	TX-NR616J
T5J	TX-NR515J		
H75	HT-R758	H46	HT-RC460
H79	HT-R791	H47	HT-RC470
D2	DTR-20.4		
D3	DTR-30.4		

ONLY T5/T6/H46/H79/R47/D2/D3 (For HDMI Upcon)  
DIS-1093-1C/D/E DIS-1101-1

No use  
Fan Area  
CirNo.2400

ONLY D2/D3  
DIS-1101-1

TO BAHDM-110(PART-15)

TO BAHDM-1108(PART-14)  
TO BAHDM-1110(PART-14)  
For HDMI

TO BAHDM-1108(PART-14)  
TO BAHDM-1110(PART-14)

TO RS232 PWB  
TO BAETC-0645 (PART-12)

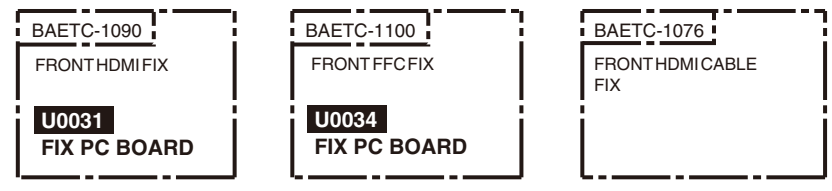
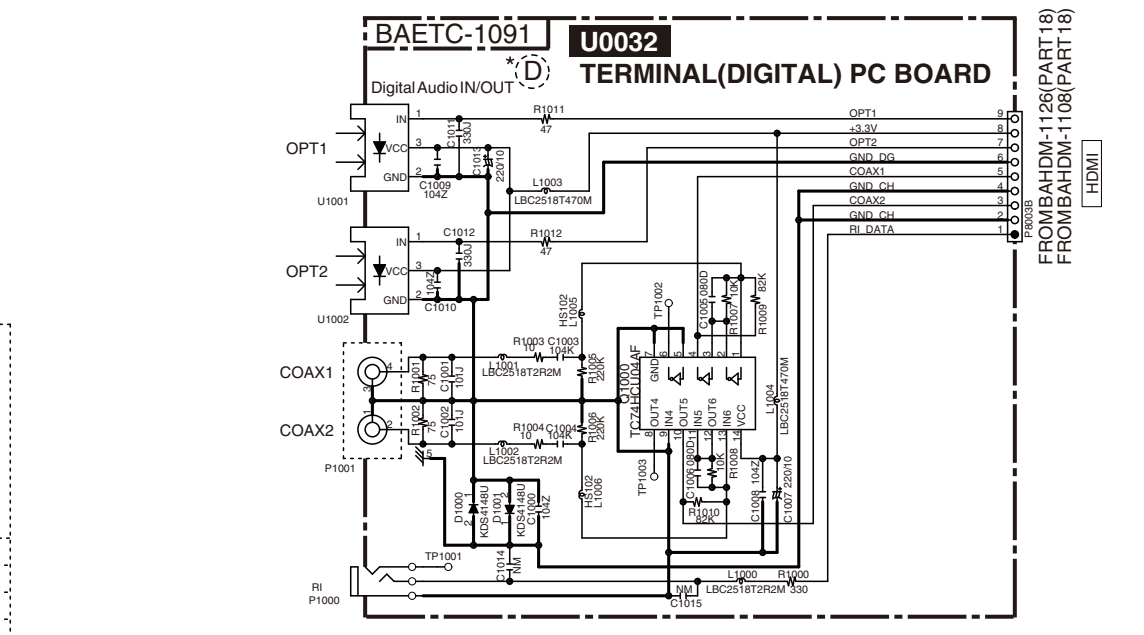
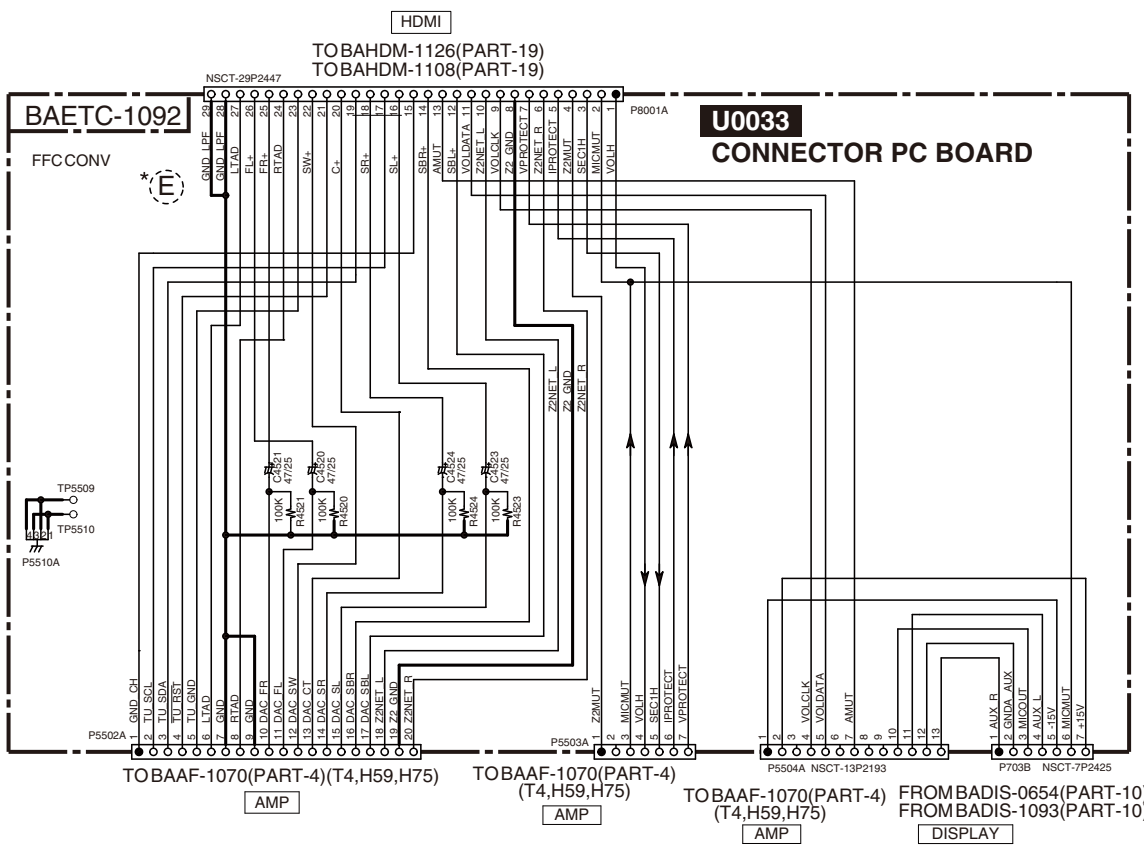
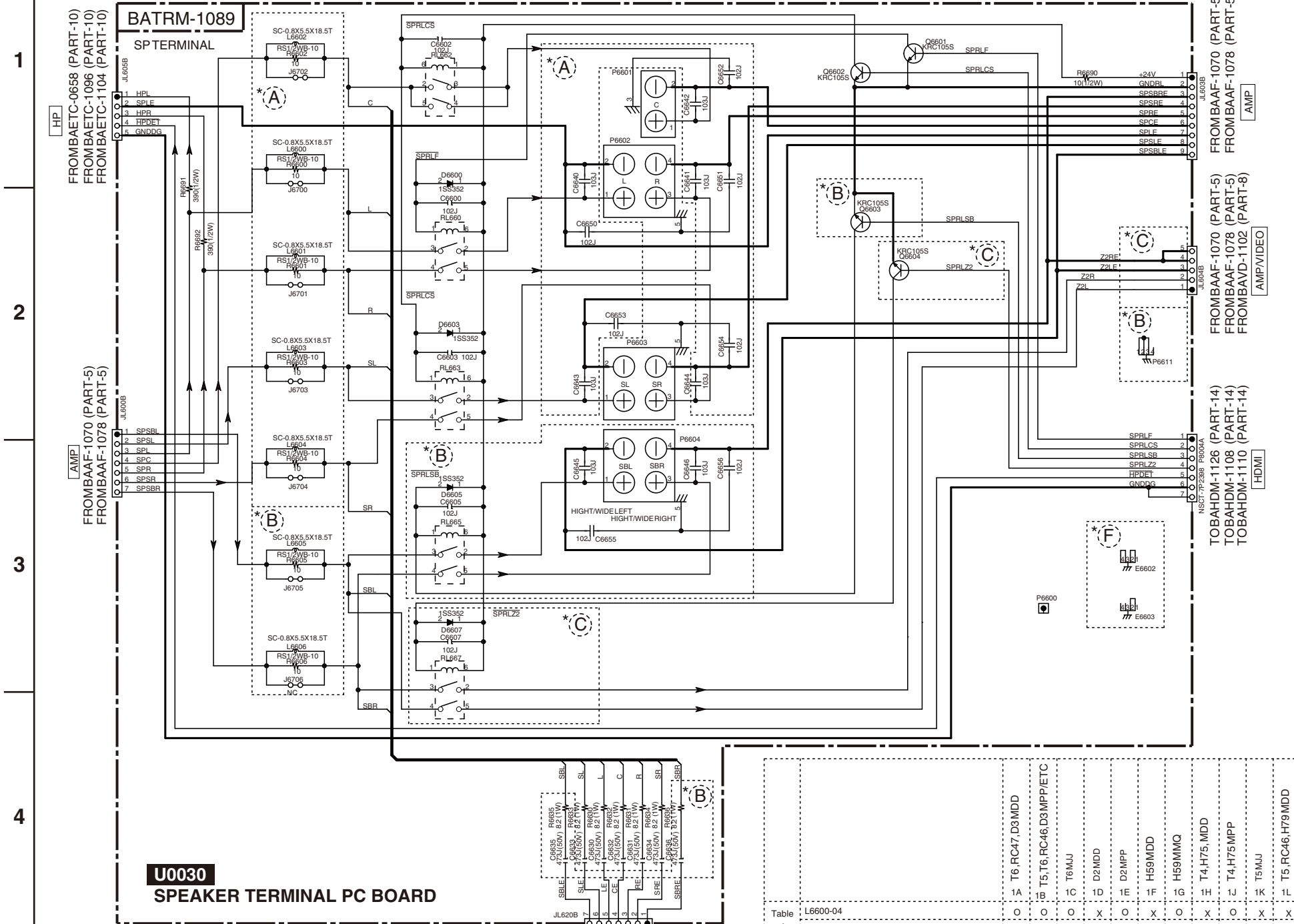
TO BAETC-1074(PART-5)  
TO BAETC-1137(PART-4)  
TO BAETC-1078(PART-5)  
From AMP PWB

SP TRM(TO PART 9)  
TO BATRM-1089



SCHEMATIC DIAGRAMS-9 (PART-9)

SPEAKER OUT SECTION

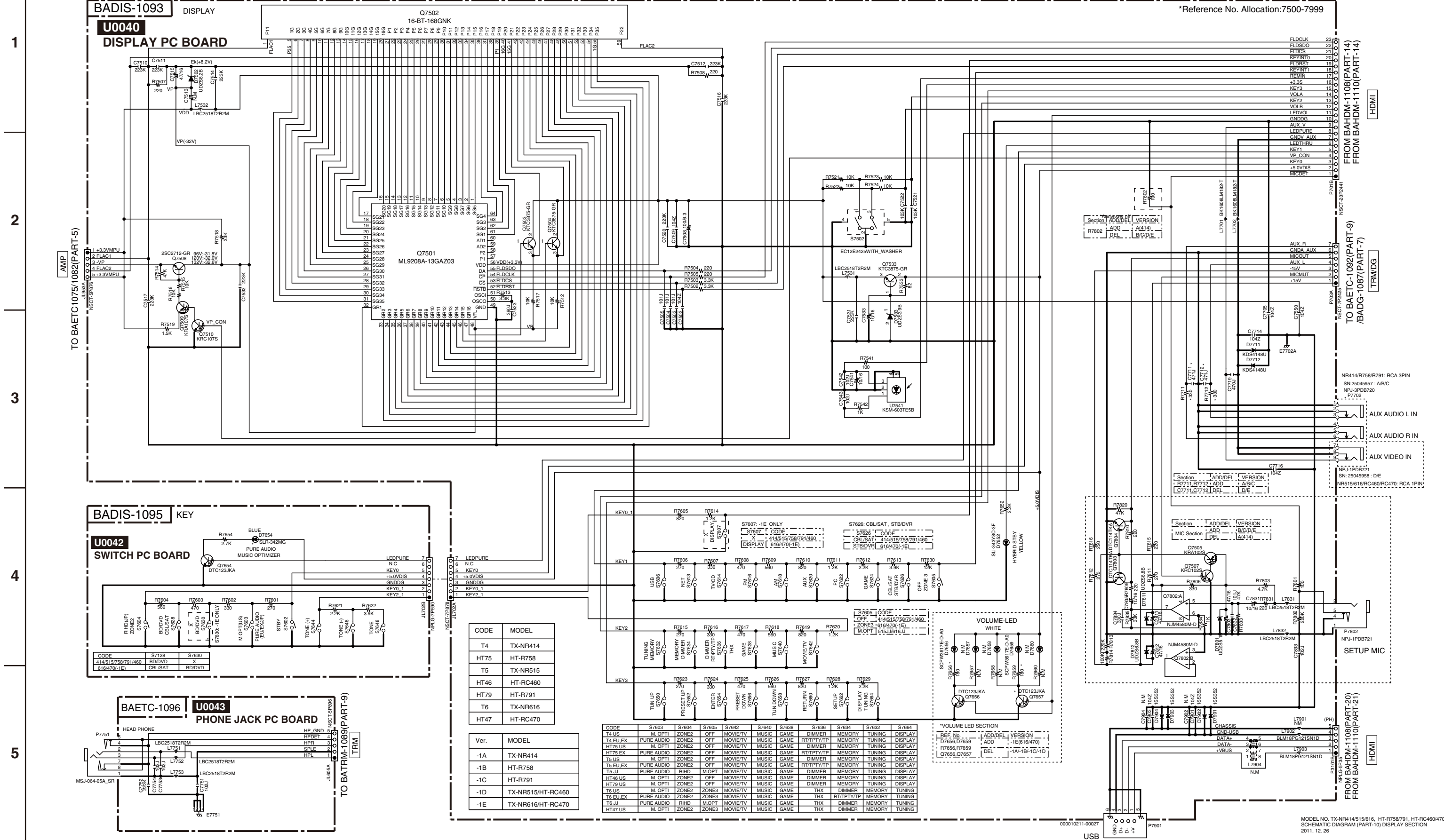


1  
2  
3  
4  
5

CODE	MODEL
H59	HT-R591
H75	HT-R758
T4	TX-NR414
H79	HT-R791
H46	HT-RC460
T5	TX-NR515
H47	HT-RC470
T6	TX-NR616
D2	DTR-20.4
D3	DTR-30.4

Table	L6600-04	A	R6600-04	J6700-04	C6640-44/C6650-54	L6605-06	R6605/06	J6705/06	P6604/Q6603/D6605/C6605/RL665/R6635-36	C6645-46/C6655-56	P6611	RL667/C6607/D6607/Q6604/JL604B	BCETC1091	BCETC1092	E6602	E6603	
T6 RC47, D3 MDD																	
T5, T6, RC46, D3 MPP/ETC																	
T6 MJJ																	
D2 MDD																	
D2 MPP																	
H59 MDD																	
H59 MMQ																	
T4, H75, MDD																	
T4, H75 MPP																	
T5 MJJ																	
T5 RC46, H79 MDD																	

SCHEMATIC DIAGRAMS-10 (PART-10)  
DISPLAY SECTION



\*Reference No. Allocation:7500-7999

TO BAETC-1075/1082(PART-5)

AMP

TO BAETC-1075/1082(PART-5)

TO BAETC-1075/1082(PART-5)

TO BA TRM-1089(PART-9)

FROM BAHDM-1108(PART-14)  
FROM BAHDM-1110(PART-14)

TO BAETC-1082(PART-9)  
/BADG-1087(PART-7)

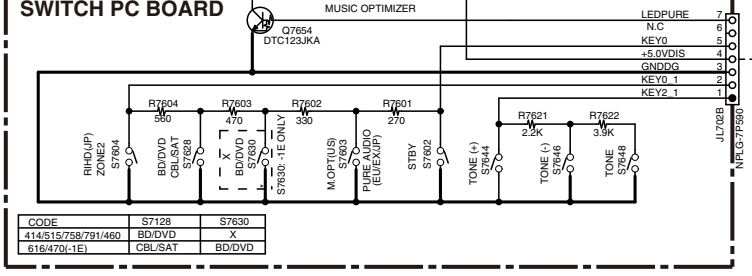
AUX AUDIO L IN  
AUX AUDIO R IN  
AUX VIDEO IN

SETUP MIC

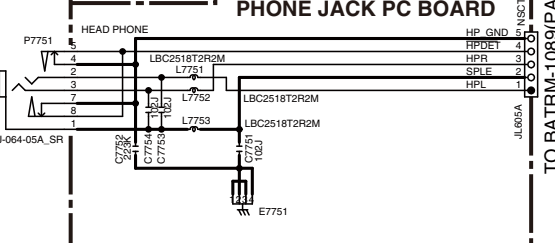
FROM BAHDM-1108(PART-20)  
FROM BAHDM-1110(PART-21)

BADIS-1095 KEY

U0042 SWITCH PC BOARD



BAETC-1096 U0043 PHONE JACK PC BOARD



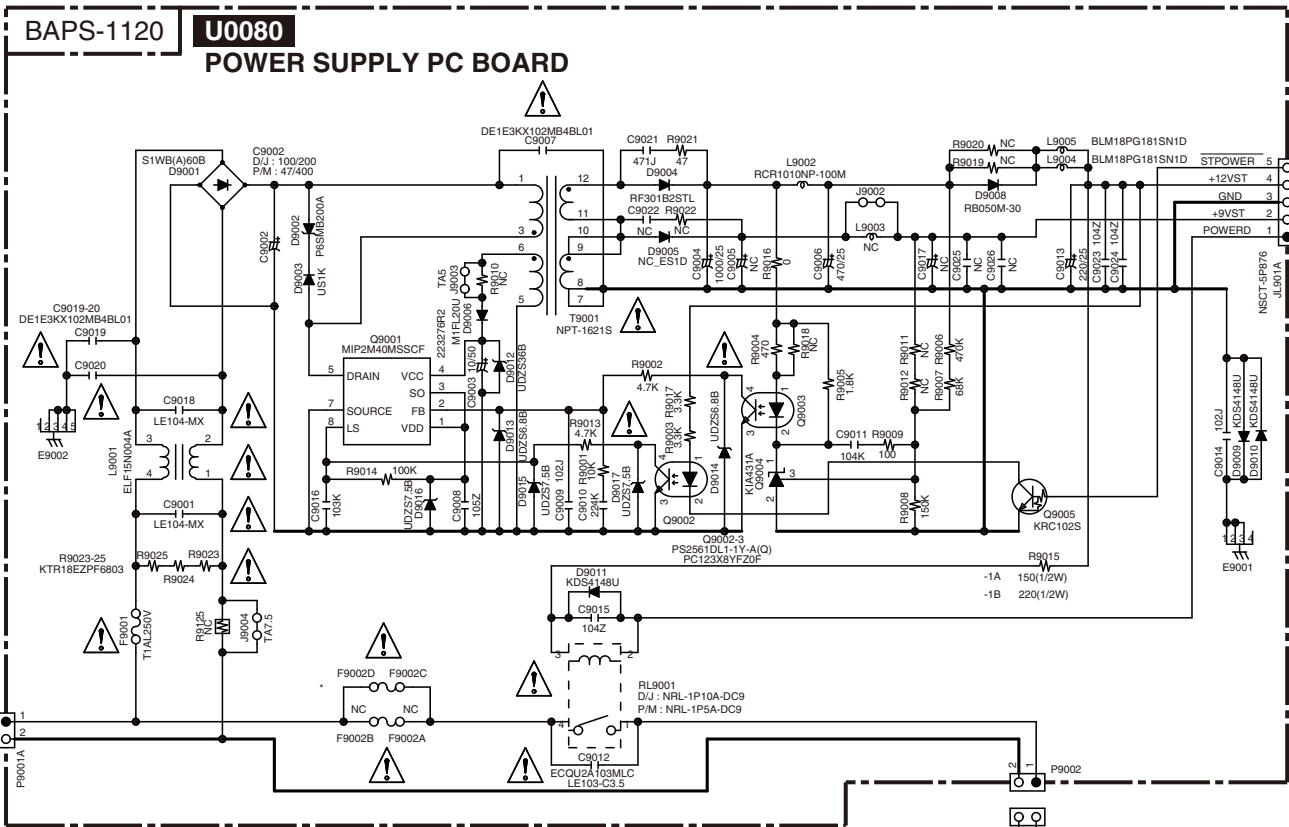
CODE	S7603	S7604	S7605	S7642	S7640	S7638	S7636	S7634	S7632	S7664
T4 US	M. OPTI	ZONE2	OFF	MOVIE/TV	MUSIC	GAME	DIMMER	MEMORY	TUNING	DISPLAY
T4 EU EX	PURE AUDIO	ZONE2	OFF	MOVIE/TV	MUSIC	GAME	RT/TP/TYP	MEMORY	TUNING	DISPLAY
HT75 US	M. OPTI	ZONE2	OFF	MOVIE/TV	MUSIC	GAME	DIMMER	MEMORY	TUNING	DISPLAY
HT75 EX	PURE AUDIO	ZONE2	OFF	MOVIE/TV	MUSIC	GAME	RT/TP/TYP	MEMORY	TUNING	DISPLAY
T5 US	M. OPTI	ZONE2	OFF	MOVIE/TV	MUSIC	GAME	DIMMER	MEMORY	TUNING	DISPLAY
T5 EU EX	PURE AUDIO	ZONE2	OFF	MOVIE/TV	MUSIC	GAME	RT/TP/TYP	MEMORY	TUNING	DISPLAY
T5 J	PURE AUDIO	RIHD	M. OPTI	MOVIE/TV	MUSIC	GAME	DIMMER	MEMORY	TUNING	DISPLAY
HT46 US	M. OPTI	ZONE2	OFF	MOVIE/TV	MUSIC	GAME	DIMMER	MEMORY	TUNING	DISPLAY
HT79 US	M. OPTI	ZONE2	OFF	MOVIE/TV	MUSIC	GAME	DIMMER	MEMORY	TUNING	DISPLAY
T6 US	M. OPTI	ZONE2	ZONE3	MOVIE/TV	MUSIC	GAME	THX	DIMMER	MEMORY	TUNING
T6 EU EX	PURE AUDIO	ZONE2	ZONE3	MOVIE/TV	MUSIC	GAME	THX	RT/TP/TYP	MEMORY	TUNING
T6 J	PURE AUDIO	RIHD	M. OPTI	MOVIE/TV	MUSIC	GAME	THX	DIMMER	MEMORY	TUNING
HT47 US	M. OPTI	ZONE2	ZONE3	MOVIE/TV	MUSIC	GAME	THX	DIMMER	MEMORY	TUNING

000010211-00027

MODEL NO. TX-NR414/515/616, HT-R758/791, HT-RC460/470  
SCHEMATIC DIAGRAM (PART-10) DISPLAY SECTION  
2011. 12. 26



**SCHEMATIC DIAGRAMS-11 (PART-11)**  
**POWER SUPPLY SECTION**



TO BAHDM-1108(PART-14)  
TO BAHDM-1110(PART-14)

- \* THE COMPONENTS IDENTIFIED BY MARK ARE CRITICAL FOR SAFETY. REPLACE ONLY WITH PART NUMBER SPECIFIED.
- \* VOLTAGE (MEASURED WITH VOLT METER) IS DC VOLTAGE. (NO INPUT SIGNAL)
- \* ELECTROLYTIC CAPACITORS () ARE IN  $\mu\text{F}/\text{WV}$ .
- \* ALL CAPACITORS ARE IN  $\text{pF}/50\text{WV}$  UNLESS OTHERWISE NOTED.
- \* CIRCUIT IS SUBJECT TO CHANGE FOR IMPROVEMENT.

**CAUTION**  
FOR CONTINUED PROTECTION AGAINST FIRE HAZARD, REPLACE ONLY WITH FUSE OF SAME TYPE AND RATING INDICATED.

**ATTENTION**  
AFIN D'ASSURER UNE PROTECTION PERMANENTE CONTRE LES RISQUES D'INCENDIE, REMPLACER UNIQUEMENT PAR UN FUSIBLE DE MEME TYPE ET CALIBRATION COMME INDIQUE.

THIS SYMBOL LOCATED NEAR THE FUSE INDICATES THAT THE FUSE USED IS SLOW OPERATING TYPE FOR CONTINUED PROTECTION AGAINST FIRE FUSE HAZARD, REPLACE WITH SAME TYPE FUSE. FOR FUSE RATING REFER TO THE MAKING ADJACENT TO THE SYMBOL.

CE SYMBOLE INDIQUE QUE LE FUSIBLE UTILISE EST A LENT, E POUR UNE PROTECTION PERMANENTE. UTILISER QUE DES FUSIBLES DE MEME TYPE. CE DERNIER EST INDIQUE LA QU LE PRESENT SYMBOLE EST APPOSE.

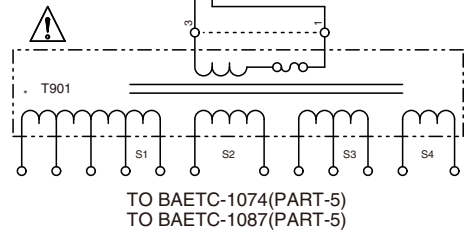
CODE	MODEL
T4	TX-NR414
T5	TX-NR515
T6	TX-NR616
HT46	HT-RC460
HT47	HT-RC470
HT75	HT-R758
HT79	HT-R791
D2	DTR-20.4
D3	DTR-30.4

TYPE	AC
D	120V ~ / 60Hz
P	230V ~ / 50Hz
M	220-240V ~ / 50/60Hz
J	100V ~ / 50/60Hz

Note:  
Some parts on BAPS-1120 remain high voltages even after the power cord is disconnected from AC power source. Before starting any work, please discharge C9002 by connecting resistors between its terminals. (recommended resistor spec: 5k ohms/10W)

T901	T4	T5	T6	HT46	HT47	HT75	HT79	D2	D3
D	NPT-1604D	NPT-1604D	NPT-1619D	NPT-1604D	NPT-1619D	NPT-1604D	NPT-1604D	NPT-1604D	NPT-1604D
P	NPT-1604P	NPT-1604P	---	NPT-1604P	---	NPT-1604P	---	NPT-1604P	---
M	NPT-1604M	NPT-1604M	NPT-1619M	NPT-1604M	NPT-1619M	NPT-1604M	---	NPT-1604M	NPT-1604M
J	---	NPT-1604J	NPT-1619J	---	---	---	---	NPT-1604J	NPT-1604J

F9002	T4	T5	T6	HT46	HT47	HT75	HT79	D2	D3
D	8A 125V	8A 125V	10A 125V	8A 125V	10A 125V	8A 125V	8A 125V	8A 125V	10A 125V
P	T4AL250V	T4AL250V	---	---	---	T4AL250V	---	T4AL250V	---
M	T4AL250V	T4AL250V	T5AL250V	T4AL250V	T5AL250V	T4AL250V	---	T4AL250V	T5AL250V
J	---	10A 125V	12A 125V	---	---	---	---	10A 125V	12A 125V

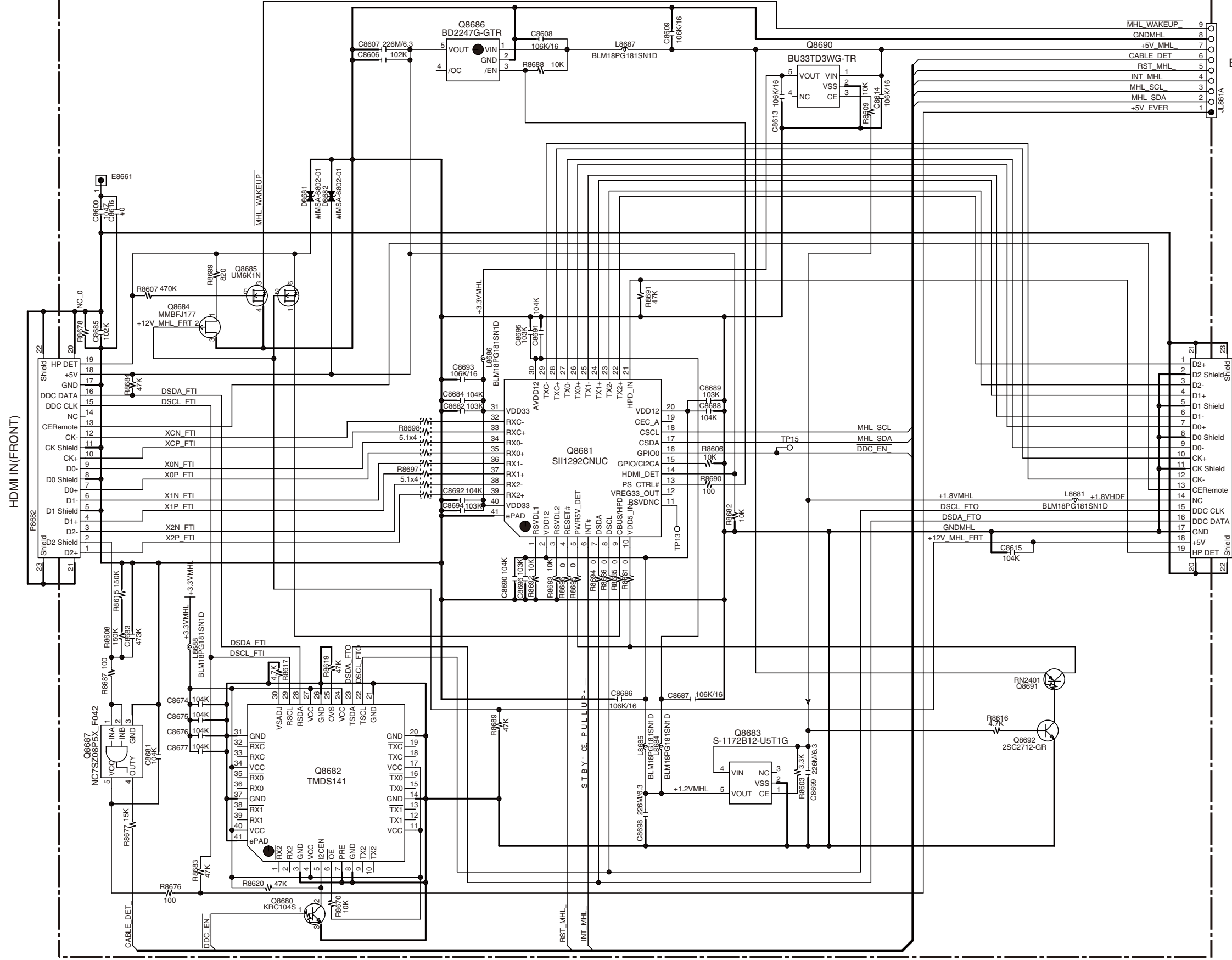


TO BAETC-1074(PART-5)  
TO BAETC-1087(PART-5)

SCHEMATIC DIAGRAMS-13 (PART-13)

FRONT HDMI SECTION

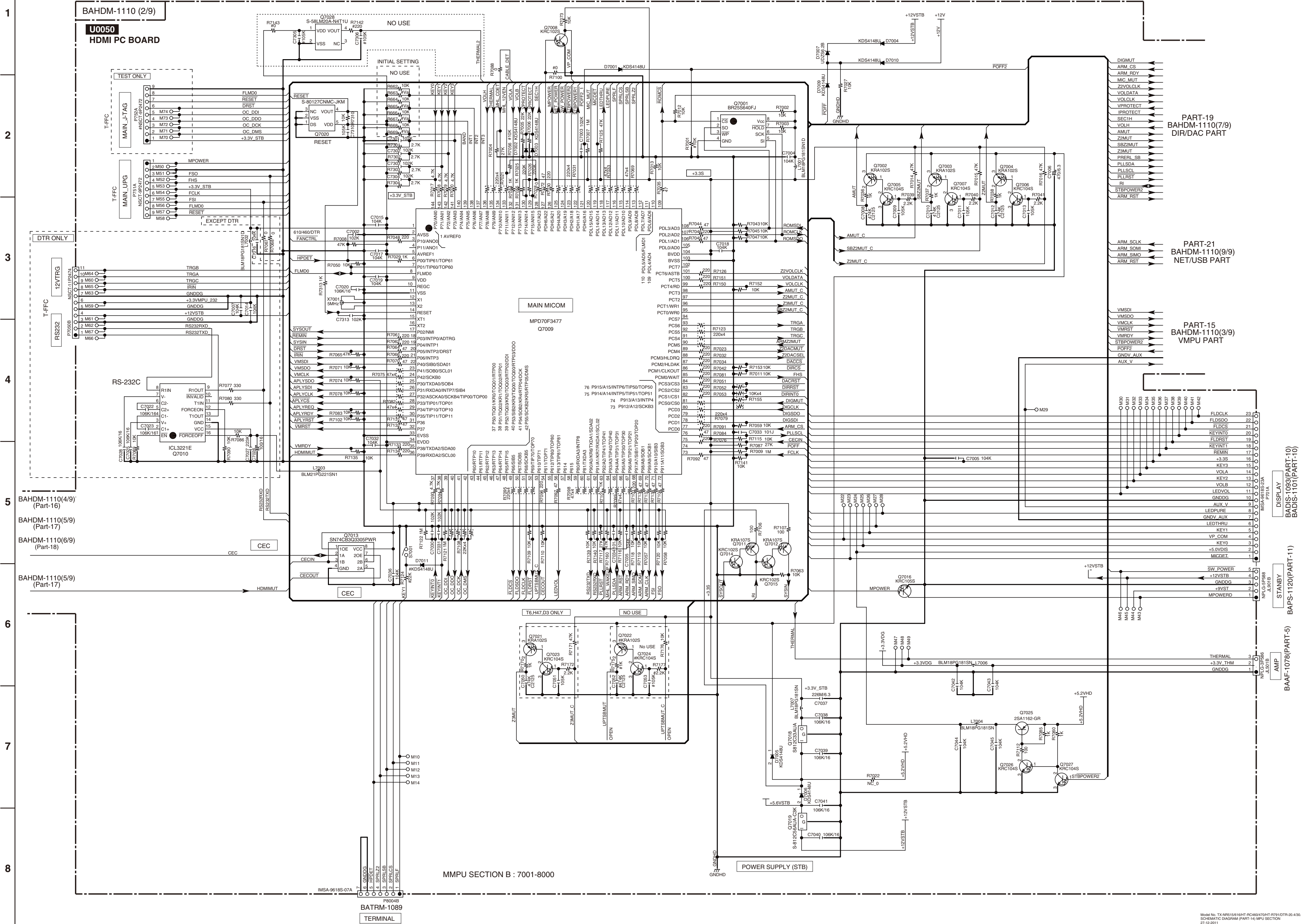
BAHDM-1111 U0051  
HDMI TERMINAL PC BOARD



BAHDM-1110(5/9)  
(Part-17)

BAHDM-1110(5/9)  
(Part-17)

SCHEMATIC DIAGRAMS-14 (PART-14)  
MPU SECTION



- 5 BAHDM-1110(4/9) (Part-16)
- 5 BAHDM-1110(5/9) (Part-17)
- 5 BAHDM-1110(6/9) (Part-18)
- 5 BAHDM-1110(5/9) (Part-17)

- PART-19 BAHDM-1110(7/9) DIR/DAC PART

- PART-21 BAHDM-1110(9/9) NET/USB PART

- PART-15 BAHDM-1110(3/9) VMPU PART

- DISPLAY BADIS-1093(PART-10)
- DISPLAY BADIS-1101(PART-10)

- STANDBY BAPS-1120(PART-11)

- BAAF-1078(PART-5)

MMPU SECTION B : 7001-8000

POWER SUPPLY (STB)

BATERM-1089  
TERMINAL

SCHEMATIC DIAGRAMS-15 (PART-15)

VMPU/ POWER SUPPLY SECTION

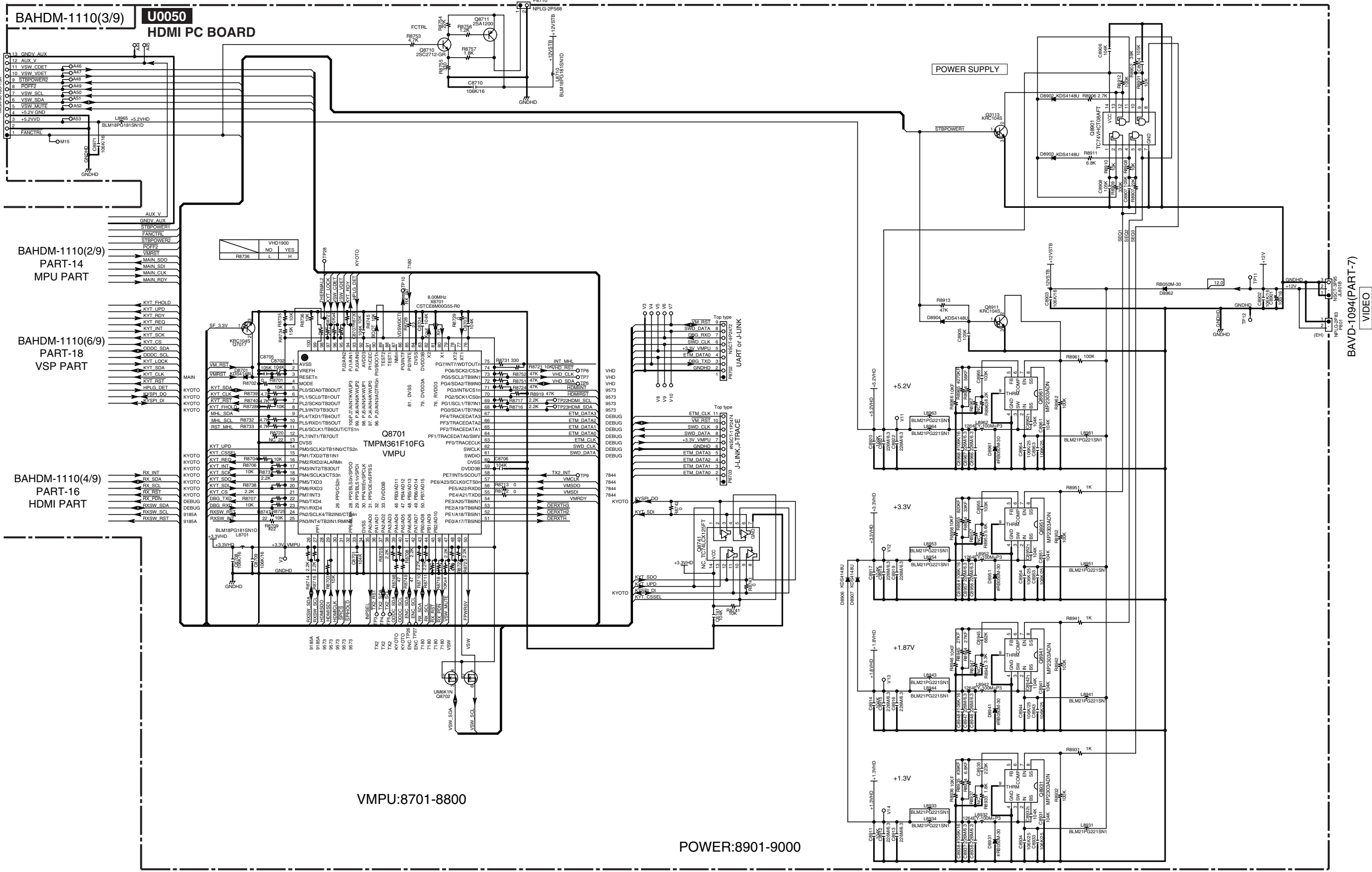
1

2

3

4

5



VMPU:8701-8800

POWER:8901-9000

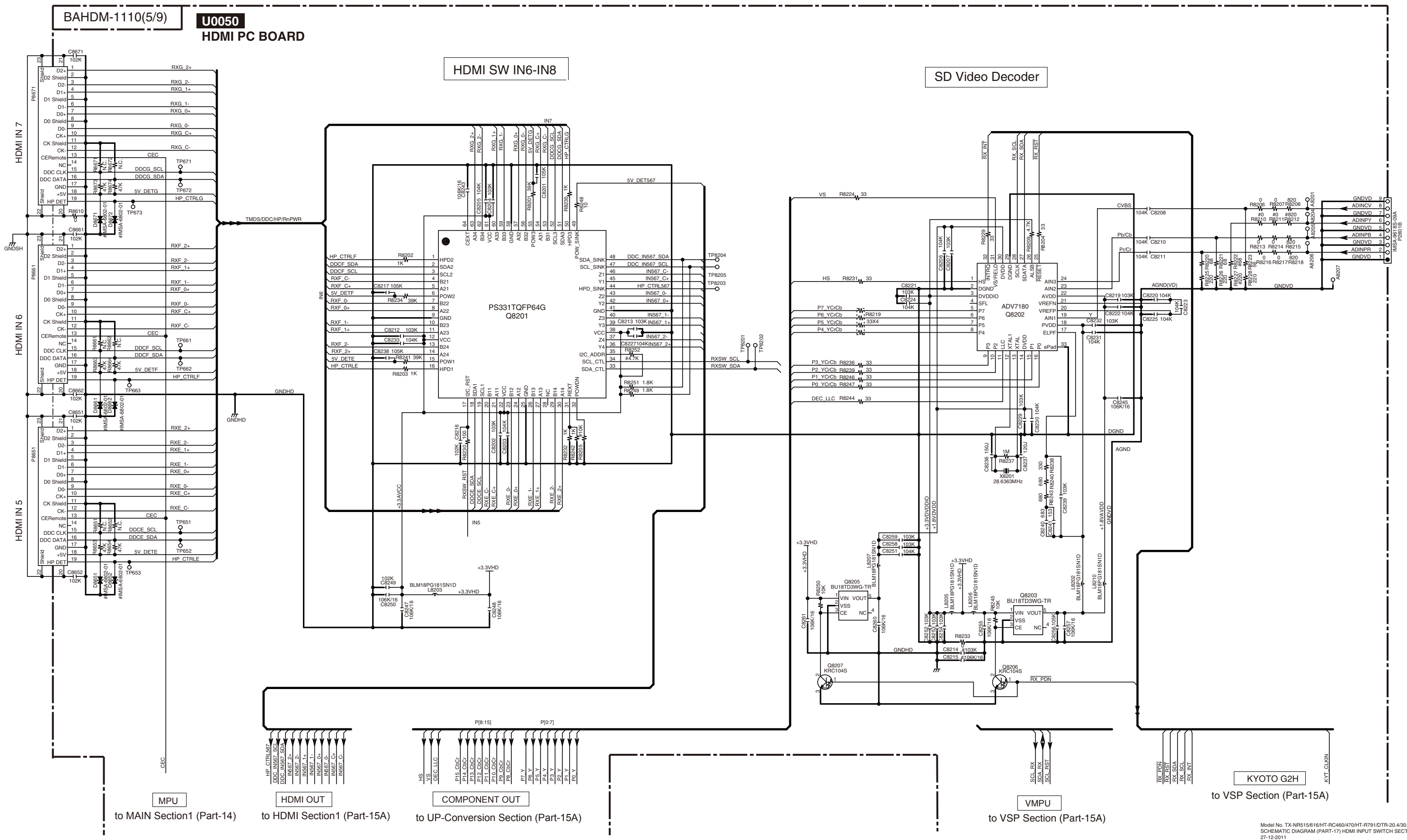




**SCHEMATIC DIAGRAMS-17 (PART-17)**  
**HDMI INPUT SWITCH SECTION**

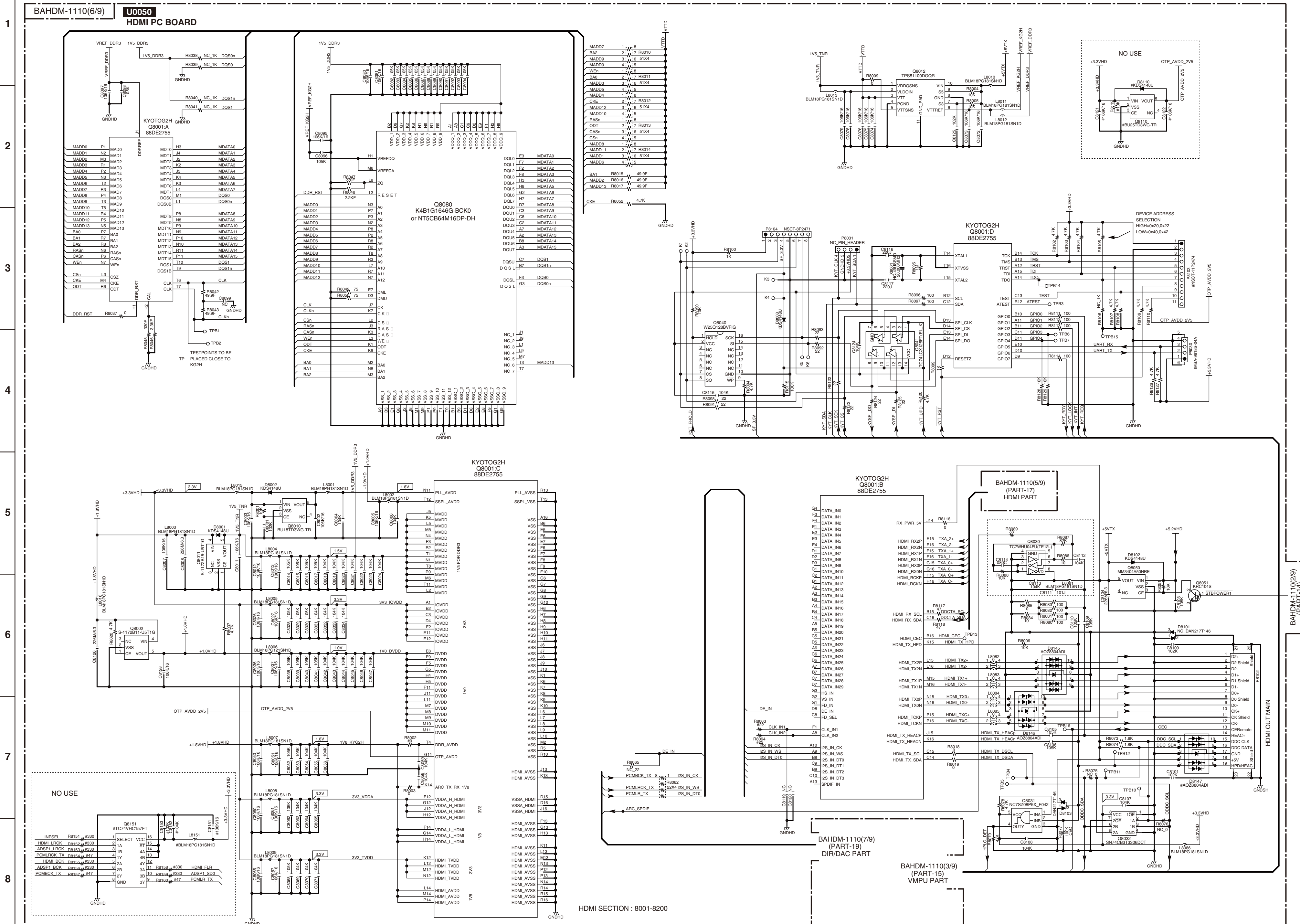
1  
2  
3  
4  
5

A B C D E F G H





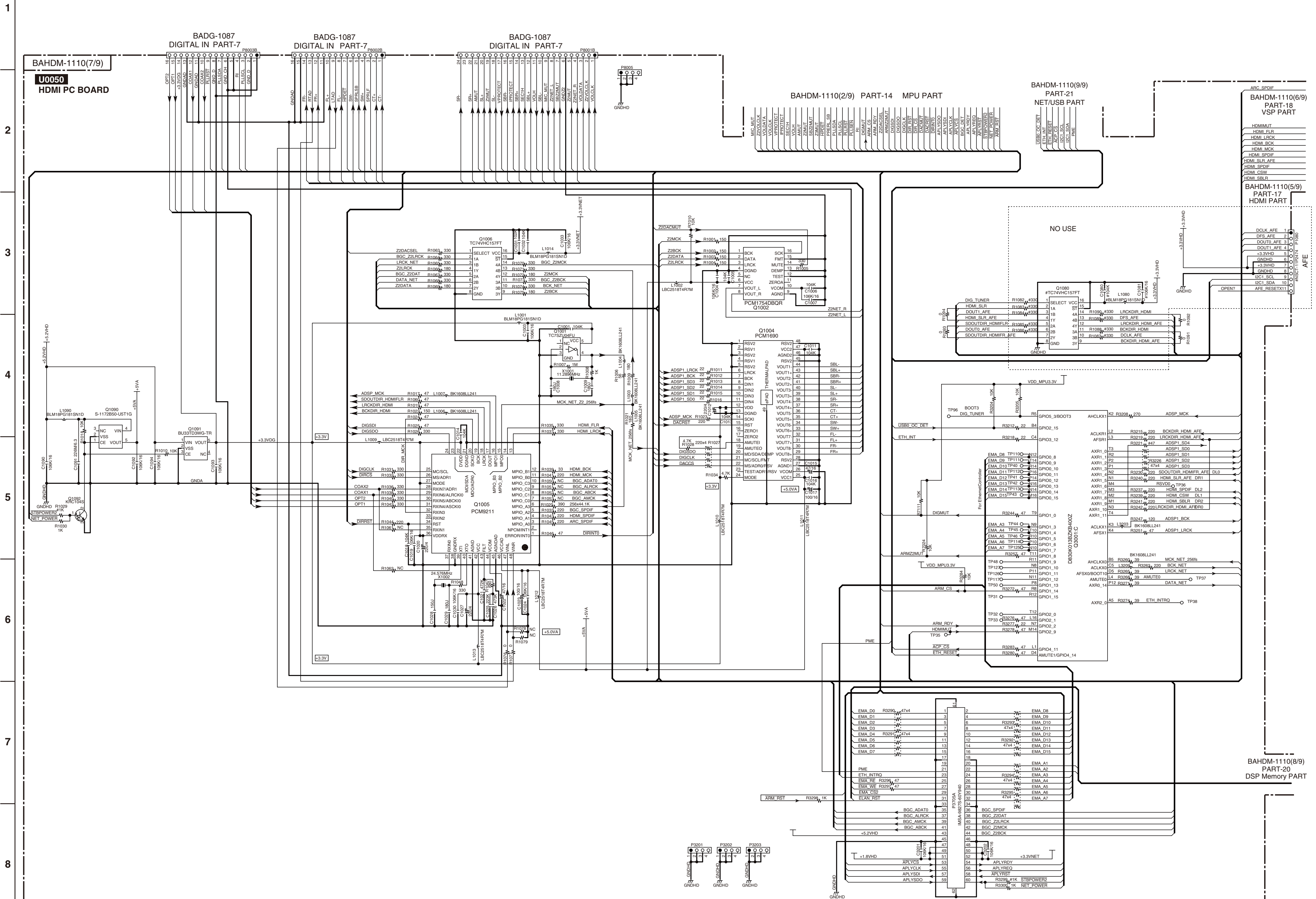
SCHEMATIC DIAGRAMS-18 (PART-18)  
VIDEO PROCESSOR SECTION



HDMI SECTION : 8001-8200



SCHEMATIC DIAGRAMS-19 (PART-19)  
DSP/ DIR/ DAC SECTION





SCHEMATIC DIAGRAMS-21 (PART-21)

NET/ USB POWER SECTION

1

2

3

4

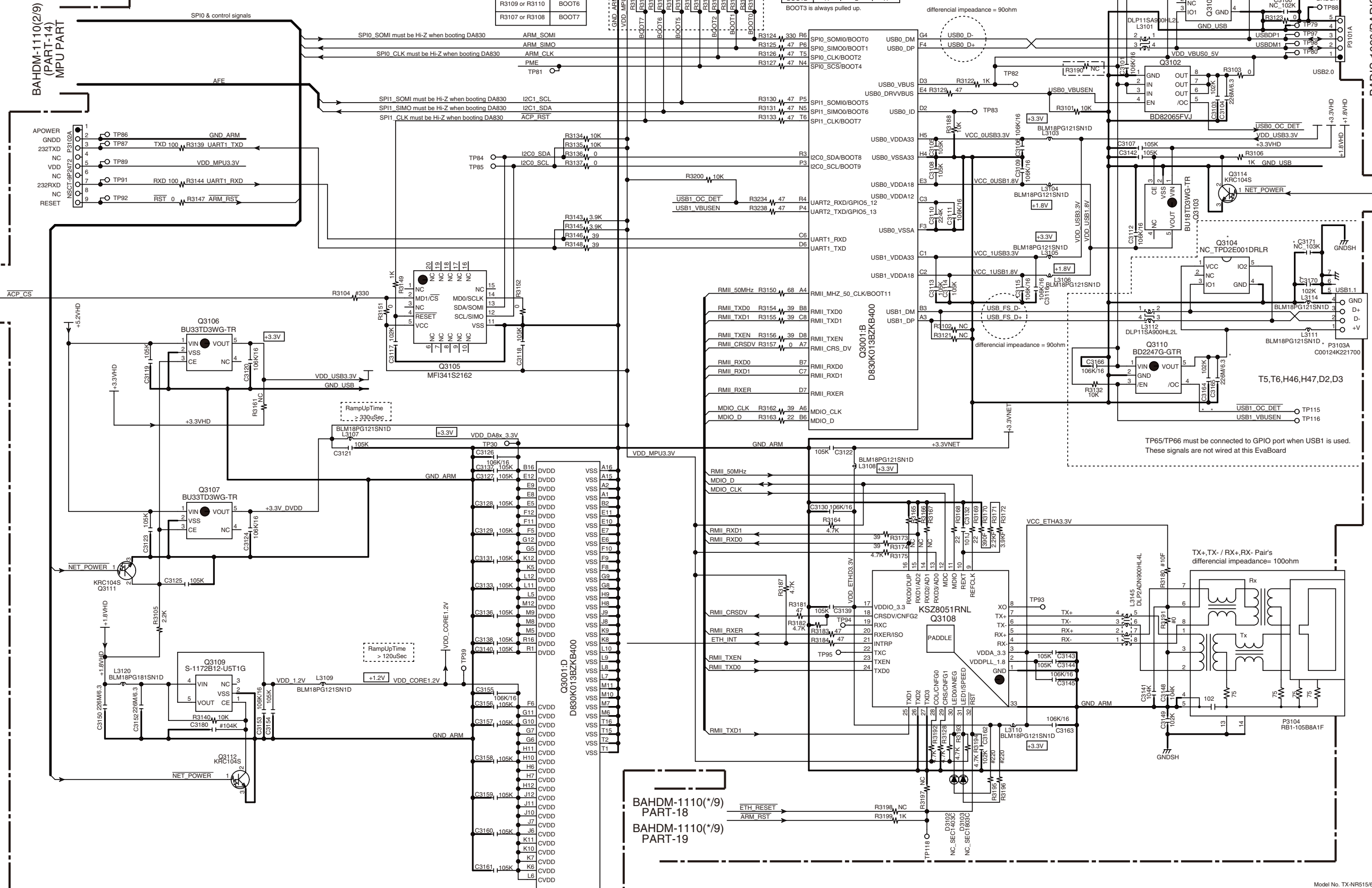
5

BAHDM-1110(9/9)  
U0050  
HDMI PC BOARD

R3115 or R3116	BOOT2
R3111 or R3112	BOOT5
R3109 or R3110	BOOT6
R3107 or R3108	BOOT7

Boot Opt.	NAND	UART1	SPI0
BOOT7	H	H	H
BOOT6	H	H	H
BOOT5	H	H	H
BOOT4	H	H	H
BOOT3	H	H	H
BOOT2	H	H	H

BOOT3 is always pulled up.



BAHDM-1110(\*9)  
PART-18  
BAHDM-1110(\*9)  
PART-19

BAHDM-1110(2/9)  
PART-14  
MPU PART

BADIS-1093/BADIS-1110  
(PART-10)

## TX-NR616

## &lt;Note&gt;

Parts marked by "NSP" are generally unavailable because they are not in our Master Spare Parts List.

**NOTE : THE COMPONENTS IDENTIFIED BY THE MARK ! ARE CRITICAL FOR RISK OF FIRE AND ELECTRIC SHOCK. REPLACE ONLY WITH PART NUMBER SPECIFIED.**

## &lt;Notes&gt;

(B) : Black model

(S) : Silver model

&lt;MDC&gt; : 120V,Canadian model

&lt;MDF&gt; : 120V,Taiwanese model

&lt;MMP&gt; : 220-240V,CE(European) country model

&lt;MMA&gt; : 220-240V,Australian model

&lt;MMB&gt; : 220-240V,UK model

&lt;MMQ&gt; : 220-240V,Hong kong model

&lt;MMR&gt; : 220-240V,Chinese model

## TX-NR616

## EXPLODED VIEW PARTS LIST

REF. NO	PART NAME	DESCRIPTION	Q'TY	PART NO. (SN)	REMARKS
Q6050	TR	2SC5198-O	1	2203063	<B MDC, MDF, MMA, MMQ, MMR>
Q6050 or	TR	2SC5198-R	(1)	2203062	<B MDC, MDF, MMA, MMQ, MMR>
Q6050 or	TR	2SC4468-O	(1)	2202523	<B MDC, MDF, MMA, MMQ, MMR>
Q6050 or	TR	2SC4468-P	(1)	2202526	<B MDC, MDF, MMA, MMQ, MMR>
Q6050	TR	2SC5242-O	1	2202843	<B MMB, MMP / S MMP>
Q6050 or	TR	2SC5242-R	(1)	2202842	<B MMB, MMP / S MMP>
Q6050 or	TR	2SC4468-O	(1)	2202523	<B MMB, MMP / S MMP>
Q6050 or	TR	2SC4468-P	(1)	2202526	<B MMB, MMP / S MMP>
Q6050A	ISO SHEET	AC238	2	223024	<B / S>
Q6050B	ISO SHEET	ISO SHEET	6	223050	<B / S>
Q6051	TR	2SC5198-O	1	2203063	<B MDC, MDF, MMA, MMQ, MMR>
Q6051 or	TR	2SC5198-R	(1)	2203062	<B MDC, MDF, MMA, MMQ, MMR>
Q6051 or	TR	2SC4468-O	(1)	2202523	<B MDC, MDF, MMA, MMQ, MMR>
Q6051 or	TR	2SC4468-P	(1)	2202526	<B MDC, MDF, MMA, MMQ, MMR>
Q6051	TR	2SC5242-O	1	2202843	<B MMB, MMP / S MMP>
Q6051 or	TR	2SC5242-R	(1)	2202842	<B MMB, MMP / S MMP>
Q6051 or	TR	2SC4468-O	(1)	2202523	<B MMB, MMP / S MMP>
Q6051 or	TR	2SC4468-P	(1)	2202526	<B MMB, MMP / S MMP>
Q6052	TR	2SC5198-O	1	2203063	<B MDC, MDF, MMA, MMQ, MMR>
Q6052 or	TR	2SC5198-R	(1)	2203062	<B MDC, MDF, MMA, MMQ, MMR>
Q6052 or	TR	2SC4468-O	(1)	2202523	<B MDC, MDF, MMA, MMQ, MMR>
Q6052 or	TR	2SC4468-P	(1)	2202526	<B MDC, MDF, MMA, MMQ, MMR>
Q6052	TR	2SC5242-O	1	2202843	<B MMB, MMP / S MMP>
Q6052 or	TR	2SC5242-R	(1)	2202842	<B MMB, MMP / S MMP>
Q6052 or	TR	2SC4468-O	(1)	2202523	<B MMB, MMP / S MMP>
Q6052 or	TR	2SC4468-P	(1)	2202526	<B MMB, MMP / S MMP>
Q6053	TR	2SC5198-O	1	2203063	<B MDC, MDF, MMA, MMQ, MMR>
Q6053 or	TR	2SC5198-R	(1)	2203062	<B MDC, MDF, MMA, MMQ, MMR>



Q6053 or TR		2SC4468-O	(1)	2202523	<B MDC, MDF, MMA, MMQ, MMR>
Q6053 or TR		2SC4468-P	(1)	2202526	<B MDC, MDF, MMA, MMQ, MMR>
Q6053 TR		2SC5242-O	1	2202843	<B MMB, MMP / S MMP>
Q6053 or TR		2SC5242-R	(1)	2202842	<B MMB, MMP / S MMP>
Q6053 or TR		2SC4468-O	(1)	2202523	<B MMB, MMP / S MMP>
Q6053 or TR		2SC4468-P	(1)	2202526	<B MMB, MMP / S MMP>
Q6054 TR		2SC5198-O	1	2203063	<B MDC, MDF, MMA, MMQ, MMR>
Q6054 or TR		2SC5198-R	(1)	2203062	<B MDC, MDF, MMA, MMQ, MMR>
Q6054 or TR		2SC4468-O	(1)	2202523	<B MDC, MDF, MMA, MMQ, MMR>
Q6054 or TR		2SC4468-P	(1)	2202526	<B MDC, MDF, MMA, MMQ, MMR>
Q6054 TR		2SC5242-O	1	2202843	<B MMB, MMP / S MMP>
Q6054 or TR		2SC5242-R	(1)	2202842	<B MMB, MMP / S MMP>
Q6054 or TR		2SC4468-O	(1)	2202523	<B MMB, MMP / S MMP>
Q6054 or TR		2SC4468-P	(1)	2202526	<B MMB, MMP / S MMP>
Q6055 TR		2SC5198-O	1	2203063	<B MDC, MDF, MMA, MMQ, MMR>
Q6055 or TR		2SC5198-R	(1)	2203062	<B MDC, MDF, MMA, MMQ, MMR>
Q6055 or TR		2SC4468-O	(1)	2202523	<B MDC, MDF, MMA, MMQ, MMR>
Q6055 or TR		2SC4468-P	(1)	2202526	<B MDC, MDF, MMA, MMQ, MMR>
Q6055 TR		2SC5242-O	1	2202843	<B MMB, MMP / S MMP>
Q6055 or TR		2SC5242-R	(1)	2202842	<B MMB, MMP / S MMP>
Q6055 or TR		2SC4468-O	(1)	2202523	<B MMB, MMP / S MMP>
Q6055 or TR		2SC4468-P	(1)	2202526	<B MMB, MMP / S MMP>
Q6056 TR		2SC5198-O	1	2203063	<B MDC, MDF, MMA, MMQ, MMR>
Q6056 or TR		2SC5198-R	(1)	2203062	<B MDC, MDF, MMA, MMQ, MMR>
Q6056 or TR		2SC4468-O	(1)	2202523	<B MDC, MDF, MMA, MMQ, MMR>
Q6056 or TR		2SC4468-P	(1)	2202526	<B MDC, MDF, MMA, MMQ, MMR>
Q6056 TR		2SC5242-O	1	2202843	<B MMB, MMP / S MMP>
Q6056 or TR		2SC5242-R	(1)	2202842	<B MMB, MMP / S MMP>
Q6056 or TR		2SC4468-O	(1)	2202523	<B MMB, MMP / S MMP>
Q6056 or TR		2SC4468-P	(1)	2202526	<B MMB, MMP / S MMP>
Q6060 TR		2SA1941-O	1	2203053	<B MDC, MDF, MMA, MMQ, MMR>
Q6060 or TR		2SA1941-R	(1)	2203052	<B MDC, MDF, MMA, MMQ, MMR>
Q6060 or TR		2SA1695-O	(1)	2202513	<B MDC, MDF, MMA, MMQ, MMR>
Q6060 or TR		2SA1695-P	(1)	2202516	<B MDC, MDF, MMA, MMQ, MMR>
Q6060 TR		2SA1962-O	1	2202833	<B MMB, MMP / S MMP>
Q6060 or TR		2SA1962-R	(1)	2202832	<B MMB, MMP / S MMP>
Q6060 or TR		2SA1695-O	(1)	2202513	<B MMB, MMP / S MMP>
Q6060 or TR		2SA1695-P	(1)	2202516	<B MMB, MMP / S MMP>
Q6061 TR		2SA1941-O	1	2203053	<B MDC, MDF, MMA, MMQ, MMR>
Q6061 or TR		2SA1941-R	(1)	2203052	<B MDC, MDF, MMA, MMQ, MMR>
Q6061 or TR		2SA1695-O	(1)	2202513	<B MDC, MDF, MMA, MMQ, MMR>
Q6061 or TR		2SA1695-P	(1)	2202516	<B MDC, MDF, MMA, MMQ, MMR>
Q6061 TR		2SA1962-O	1	2202833	<B MMB, MMP / S MMP>
Q6061 or TR		2SA1962-R	(1)	2202832	<B MMB, MMP / S MMP>
Q6061 or TR		2SA1695-O	(1)	2202513	<B MMB, MMP / S MMP>
Q6061 or TR		2SA1695-P	(1)	2202516	<B MMB, MMP / S MMP>

Q6062	TR	2SA1941-O	1	2203053	<B MDC, MDF, MMA, MMQ, MMR>
Q6062 or	TR	2SA1941-R	(1)	2203052	<B MDC, MDF, MMA, MMQ, MMR>
Q6062 or	TR	2SA1695-O	(1)	2202513	<B MDC, MDF, MMA, MMQ, MMR>
Q6062 or	TR	2SA1695-P	(1)	2202516	<B MDC, MDF, MMA, MMQ, MMR>
Q6062	TR	2SA1962-O	1	2202833	<B MMB, MMP / S MMP>
Q6062 or	TR	2SA1962-R	(1)	2202832	<B MMB, MMP / S MMP>
Q6062 or	TR	2SA1695-O	(1)	2202513	<B MMB, MMP / S MMP>
Q6062 or	TR	2SA1695-P	(1)	2202516	<B MMB, MMP / S MMP>
Q6063	TR	2SA1941-O	1	2203053	<B MDC, MDF, MMA, MMQ, MMR>
Q6063 or	TR	2SA1941-R	(1)	2203052	<B MDC, MDF, MMA, MMQ, MMR>
Q6063 or	TR	2SA1695-O	(1)	2202513	<B MDC, MDF, MMA, MMQ, MMR>
Q6063 or	TR	2SA1695-P	(1)	2202516	<B MDC, MDF, MMA, MMQ, MMR>
Q6063	TR	2SA1962-O	1	2202833	<B MMB, MMP / S MMP>
Q6063 or	TR	2SA1962-R	(1)	2202832	<B MMB, MMP / S MMP>
Q6063 or	TR	2SA1695-O	(1)	2202513	<B MMB, MMP / S MMP>
Q6063 or	TR	2SA1695-P	(1)	2202516	<B MMB, MMP / S MMP>
Q6064	TR	2SA1941-O	1	2203053	<B MDC, MDF, MMA, MMQ, MMR>
Q6064 or	TR	2SA1941-R	(1)	2203052	<B MDC, MDF, MMA, MMQ, MMR>
Q6064 or	TR	2SA1695-O	(1)	2202513	<B MDC, MDF, MMA, MMQ, MMR>
Q6064 or	TR	2SA1695-P	(1)	2202516	<B MDC, MDF, MMA, MMQ, MMR>
Q6064	TR	2SA1962-O	1	2202833	<B MMB, MMP / S MMP>
Q6064 or	TR	2SA1962-R	(1)	2202832	<B MMB, MMP / S MMP>
Q6064 or	TR	2SA1695-O	(1)	2202513	<B MMB, MMP / S MMP>
Q6064 or	TR	2SA1695-P	(1)	2202516	<B MMB, MMP / S MMP>
Q6065	TR	2SA1941-O	1	2203053	<B MDC, MDF, MMA, MMQ, MMR>
Q6065 or	TR	2SA1941-R	(1)	2203052	<B MDC, MDF, MMA, MMQ, MMR>
Q6065 or	TR	2SA1695-O	(1)	2202513	<B MDC, MDF, MMA, MMQ, MMR>
Q6065 or	TR	2SA1695-P	(1)	2202516	<B MDC, MDF, MMA, MMQ, MMR>
Q6065	TR	2SA1962-O	1	2202833	<B MMB, MMP / S MMP>
Q6065 or	TR	2SA1962-R	(1)	2202832	<B MMB, MMP / S MMP>
Q6065 or	TR	2SA1695-O	(1)	2202513	<B MMB, MMP / S MMP>
Q6065 or	TR	2SA1695-P	(1)	2202516	<B MMB, MMP / S MMP>
Q6066	TR	2SA1941-O	1	2203053	<B MDC, MDF, MMA, MMQ, MMR>
Q6066 or	TR	2SA1941-R	(1)	2203052	<B MDC, MDF, MMA, MMQ, MMR>
Q6066 or	TR	2SA1695-O	(1)	2202513	<B MDC, MDF, MMA, MMQ, MMR>
Q6066 or	TR	2SA1695-P	(1)	2202516	<B MDC, MDF, MMA, MMQ, MMR>
Q6066	TR	2SA1962-O	1	2202833	<B MMB, MMP / S MMP>
Q6066 or	TR	2SA1962-R	(1)	2202832	<B MMB, MMP / S MMP>
Q6066 or	TR	2SA1695-O	(1)	2202513	<B MMB, MMP / S MMP>
Q6066 or	TR	2SA1695-P	(1)	2202516	<B MMB, MMP / S MMP>
<b>[CHASSIS SCREW]</b>					
A001	CHASSIS	TX-SR507	1	27100533F	<B / S>
A003	LEG	(B)	4	27175464	<B / S>
A005	CUSHION	(ZUL)	4	28141877	<B / S>
A006	CUSHION	(BUTYL)	1	28141748	<B / S>
A007	SCREW	3TTB+8B(3BC)	4	838430088GR	<B / S>

A009	HOLDER	KGLS-8RT	2	27190503A	<B / S>
A010	HOLDER	KGPS-8RF	2	27191044	<B / S>
A013	HOLDER	KGPS-14RF	2	27190802	<B / S>
A016	HOLDER	MPS-08-0	1	27191361	<B / S>
A017	HOLDER	HOLDER KGLS-18S	1	27190470	<B / S>
A021	HOLDER	KGLS-22S	2	27190369	<B / S>
A023	HOLDER	KGLS-22S	1	27190369	<B / S>
A024	HOLDER	KGLS-12RT	1	27190266	<B / S>
A025	SCREW	4TTC+8C(3BC)SR	4	801658	<B / S>
A027	SPACER	---	1	27270439	<B / S>
A030	HEAT SINK	616(H=89)	1	27160670	<B / S>
A032	RETAINER	(HL)	1	27142290	N <B / S>
A034	RETAINER	(HR)	1	27142223A	<B / S>
A036	SCREW	3TTB+8B(3BC)	4	838430088GR	<B / S>
A038	SCREW	3TTB+8B(3BC)	2	838430088GR	<B / S>
A040	SCREW	3TTB+8B(3BC)	3	838430088GR	<B / S>
A042	SCREW	3TTB+8B(3BC)	2	838430088GR	<B / S>
A043	SCREW	3TTB+8B(3CM)SR	1	801637	<B / S>
A045	SCREW	3TTB+8B(3BC)	2	838430088GR	<B / S>
A046	WIRE TIE	BSK-1	2	260208	<B / S>
A050	SCREW	3SMS8W.SW+14B(CU)	14	801634	<B / S>
A054	SCREW	3TTB+8B(3BC)	1	838430088GR	<B / S>
A056	BUSHING	S-RELIEF #2271	1	27300750	! <B MDC, MMA, MMB, MMP, MMQ, MMR/ S MMP>
A058	LABEL	(PT)	1	29363379-1	
A060	WIRE TIE	BSK-1	2	260208	<B / S>
A068	SCREW	3TTB+8B(3BC)	4	838430088GR	<B / S>
A069	SCREW	3TTB+8B(3BC)	2	838430088GR	<B / S>
A093	BRACKET	(FAN)	1	27131125	<B / S>
A095	BUSHING	(FAN-L)	4	28170091A	<B / S>
A096	TAPE	TAPE(CLOTH-16U)	1	29110083	<B / S>
A097	CUSHION	(FELT)12x13x5	2	28141858	<B / S>
A098	CUSHION	(COTTON)0.7x12x8	4	28141906	N <B / S>
A099	LABEL	(SP)609	1	29391541	
A101	REAR PANEL	TXNR616DC	1	27124381A	N <B MDC>
A101	REAR PANEL	TXNR616DF	1	27124382A	N <B MDF>
A101	REAR PANEL	TXNR616MP	1	27124383A	N <B MMA, MMB, MMP, MMQ / S MMP>
A101	REAR PANEL	TXNR616MR	1	27124384A	N <B MMR>
A102	CUSHION	---	2	28141799	<B / S>
A103	SCREW	3P+6FN(3BC)	9	82143006GR	
A105	SCREW	3TTB+8B(3BC)	30	838430088GR	
A107	SCREW	3P+6FN(3BC)	1	82143006GR	
A110	SCREW	3TTF+10B(3BC)	2	835430108GR	<B MDF>
A112	TAPE	TAPE(CLOTH-8U)	1	29110082	<B / S>
A113	TAPE	TAPE(CLOTH-8U)	1	29110082	<B / S>
A120A	LABEL	(E-CON)	{ 1 }	29364978	<B / S>
<b>[CABINET]</b>					



A201	F PANEL	TXNR616(B)DC	1	27213550	N <B MDC, MDF>
A201	F PANEL	TXNR616(B)MP	1	27213553	N <B MMA, MMB, MMP, MMQ, MMR>
A201	F PANEL	TXNR616(S)MP	1	27213554	N <S MMP>
A202	CLEAR PLT	TXNR616(B)DC	1	28192383	<B MDC, MDF>
A202	CLEAR PLT	TXNR616(B)MP	1	28192384	<B MMA, MMB, MMP, MMQ, MMR>
A202	CLEAR PLT	TXNR616(S)MP	1	28192385	N <S MMP>
A207	BADGE	---	1	28135317	<B / S>
A211	KNOB	(TONE)(B)	1	28326918	<B>
A211	KNOB	(TONE)(S)	1	28326919	<S>
A212	FACET	---	2	28200054	<B / S>
A213	KNOB	(INP)(B)	1	28326916A	<B>
A213	KNOB	(INP)(S)	1	28326917A	<S>
A214	KNOB	(INP-L)(B)	1	28326922B	<B>
A214	KNOB	(INP-L)(S)	1	28326923B	<S>
A215	KNOB	(INP-R)(B)	1	28326938B	<B>
A215	KNOB	(INP-R)(S)	1	28326939B	<S>
A216	KNOB	(SEL)	1	28326906A	<B / S>
A217	KNOB	(STBY)(B)	1	28326904	<B>
A217	KNOB	(STBY)(S)	1	28326905	<S>
A219	KNOB	(CUR)	1	28326907B	<B / S>
A221	IB CUSHION	W15*3t TAPE	1	28141585	<B / S>
A224	SCREW	2.6TTB+8B(3BC)	2	838426088GR	<B / S>
A225	SCREW	2.6TTB+8B(3BC)	22	838426088GR	<B / S>
A242	WIRE TIE	BSK-1	1	260208	<B / S>
A254	WIRE TIE	BSK-1	7	260208	<B / S>
A255	SCREW	3TTB+8B(CU)SR	3	801618	<B / S>
A256	SCREW	3TTB+8B(3BC)	1	838430088GR	<B / S>
A260	SCREW	3TTB+8B(3BC)	4	838430088GR	<B / S>
A261	TAPE	TAPE(CLOTH-16U)	1	29110083	<B / S>
A263	TAPE	TAPE(CLOTH-16U)	1	29110083	<B / S>
A269	TAPE	TAPE(CLOTH-8U)	1	29110082	<B / S>
A270	CUSHION	(FELT)t1x20x10	4	28141859	<B / S>
A271	TAPE	TAPE(CLOTH-16U)	1	29110083	<B / S>
A273	HOLDER	KGLS-4S	2	27190009	<B / S>
A281	RETAINER	(HDMI)	1	27142172	<B / S>
A283	SCREW	3P+6FN(3BC)	1	82143006GR	<B / S>
A287	CUSHION	(BUTYL)	1	28141748	<B / S>
A317	IB CUSHION	W15*3t TAPE	1	28141585	<B / S>
A320	FACET	(VOL)	1	28200059A	<B / S>
A321	KNOB	(VOL)AS(B)	1	28326927B	<B MDC, MDF, MMA, MMB, MMP, MMQ, MMR>
A321	KNOB	(VOL)AS(S)	1	28326928B	<S MMP>
A340	COVER	(B) (Bent)	1	28210087A	<B>
A340	COVER	(B) (Not Bent)	1	28210087AZ	<B>
A340	COVER	(S) (Bent)	1	28210088A	<S>
A342	SCREW	3TTB+8B(3CM)SR	9	801637	<S>
A342	SCREW	3TTB+8B(3BC)	9	838430088GR	<B>

A360	LABEL	(COVER)	1	29390767	<B / S>
A362	LABEL	HOOKUP-ONKYO	1	29363194	<B MDC>
<b>[TRANS COIL]</b>					
T901	P TRANS	NPT-1619D	1	2302049	! <B MDC, MDF>
T901	P TRANS	NPT-1619M	1	2302050	! <B MMA, MMB, MMP, MMQ, MMR / S MMP>
<b>[SW TRM]</b>					
F6401	FUSE	12A-TUL-250V	1	252301GR	! <B / S>
F6402	FUSE	12A-TUL-250V	1	252301GR	! <B / S>
F9002	FUSE	10A-UL/T-233	1	252330GR	! <B MDC, MDF>
F9002 or	FUSE	10A-T/UL-ST2	(1)	252333GR	! <B MDC, MDF>
F9002	FUSE	5A-SE-EAK FUSE	1	252078GR	! <B MMA, MMB, MMP, MMQ, MMR / S MMP>
F9002 or	FUSE	5A-SE-TL250V	(1)	252278GR	! <B MMA, MMB, MMP, MMQ, MMR / S MMP>
F9002E	LABEL	T5AL250V	1	29361938	<B MMA, MMB, MMP, MMQ, MMR / S MMP>
P101	FFC	NCFC7-091512	1	2047091512	<B / S>
P2510	FAN	KF1225B1E-33ACD54RB	1	24502335	<B / S>
P2510 or	FAN	4710KL-04W-B10-EA2	(1)	24502332	<B / S>
P2800	FFC	NCFC5-131512	1	2045131512	<B / S>
P2801	FFC	NCFC5-091012	1	2045091012	<B / S>
P3101	SOCKET AS	NSAS-10P1924	1	2009991224UL	<B / S>
P6601A	P RIVET	JB-407A-C	14	880052	<B MMA, MMB, MMP, MMQ, MMR / S MMP>
P701	FFC	NCFC5-232212	1	2045232212	<B / S>
P703	FFC	NCFC5-072512	1	2045072512	<B / S>
P8004	FFC	NCFC5-071012	1	2045071012	<B / S>
P8651	CORD AS	HDMI0.25M	1	2010494	<B / S>
P901	AC CORD	AS-UC-2	1	253368AYUN	! <B MDC>
P901 or	AC CORD	AS-UC-2	(1)	253368BLTK	! <B MDC>
P901	AC CORD	AS-CNS	1	253431VOL	! <B MDF>
P901	AC CORD	AS-SAA	1	253388LTK	! <B MMA>
P901	AC CORD	AS-BS	1	253198LTK	! <B MMB, MMQ>
P901 or	AC CORD	AS-BS	(1)	253198VOL	! <B MMB>
P901	AC CORD	AS-CEE-2	1	253306VOL	! <B MMP / S MMP>
P901 or	AC CORD	AS-CEE-2	(1)	253374YUN	! <B MMP / S MMP>
P901	AC CORD	AS-CCC	1	253355VOL	! <B MMR>
P901 or	AC CORD	AS-CCC	(1)	253377LTK	! <B MMR>
P901B	FASTON AS	FASTON SOCKET	1	1F999027	! <B MDF>
P907	AC INLET	R301X2PSn	1	25053358	! <B MDF>
<b>[TUNER UNIT]</b>					
U001	U0010~U0014	BAAF-1078-1A *	1	1B272578-1A	N <MDC, MDF>
U0010	AUDIO PC BOARD ASS'Y	BAAF-1078-1A	1	1B2725078-1A	N <MDC, MDF>
U0011	SENSOR PC BOARD ASS'Y	BAETC-1079-1A	1	1B2725079-1A	N <MDC, MDF>
U0012	FIX PC BOARD	BAETC-1080-1A	1	1B2725080-1A	N <MDC, MDF>
U0013	PC BOARD ASS'Y	BAETC-1081-1A	1	1B2725081-1A	N <MDC, MDF>
U0014	POWER SUPPLY(VP) PC BOARD ASS'Y	BAETC-1082-1A	1	1B2725082-1A	N <MDC, MDF>
U001	U0010~U0014	BAAF-1078-1B *	1	1B272578-1B	N <MMA, MMB, MMP, MMQ, MMR>
U0010	AUDIO PC BOARD ASS'Y	BAAF-1078-1B	1	1B2725078-1B	N <MMA, MMB, MMP, MMQ, MMR>
U0011	SENSOR PC BOARD ASS'Y	BAETC-1079-1B	1	1B2725079-1B	N <MMA, MMB, MMP, MMQ, MMR>

U0012	FIX PC BOARD	BAETC-1080-1B	1	1B2725080-1B	N <MMA, MMB, MMP, MMQ, MMR>
U0013	PC BOARD ASSY	BAETC-1081-1B	1	1B2725081-1B	N <MMA, MMB, MMP, MMQ, MMR>
U0014	POWER SUPPLY(VP) PC BOARD ASSY	BAETC-1082-1B	1	1B2725082-1B	N <MMA, MMB, MMP, MMQ, MMR>
<b>U002</b>	<b>U0020, U0021 x 2 pcs.</b>	<b>BACLA-1085-1A *</b>	<b>1</b>	<b>1B272585-1A</b>	<b>N</b>
U0020	AMPLIFIER PC BOARD ASSY	BACLA-1085-1A	1	1B2725085-1A	N
U0021	FIX PC BOARD	BAETC-1086-1A	2	1B2725086-1A	N
<b>U003</b>	<b>U0030~U0034 x 2 pcs.</b>	<b>BATRM-1089-1A *</b>	<b>1</b>	<b>1B272589-1A</b>	<b>N &lt;MDC, MDF&gt;</b>
U0030	SPEAKER TERMINAL PC BOARD ASSY	BATRM-1089-1A	1	1B2725089-1A	N <MDC, MDF>
U0031	FIX PC BOARD	BAETC-1090-1A	1	1B2725090-1A	N <MDC, MDF>
U0034	FIX PC BOARD	BAETC-1100-1A	1	1B2725100-1A	N <MDC, MDF>
U0035	FIX PC BOARD	BAETC-1076-1A	1	1B2725076-1A	N <MDC, MDF>
<b>U003</b>	<b>U0030~U0034 x 2 pcs.</b>	<b>BATRM-1089-1B *</b>	<b>1</b>	<b>1B272589-1B</b>	<b>N &lt;MMA, MMB, MMP, MMQ, MMR&gt;</b>
U0030	SPEAKER TERMINAL PC BOARD ASSY	BATRM-1089-1B	1	1B2725089-1B	N <MMA, MMB, MMP, MMQ, MMR>
U0031	FIX PC BOARD	BAETC-1090-1B	1	1B2725090-1B	N <MMA, MMB, MMP, MMQ, MMR>
U0034	FIX PC BOARD	BAETC-1100-1B	1	1B2725100-1B	N <MMA, MMB, MMP, MMQ, MMR>
U0035	FIX PC BOARD	BAETC-1076-1B	1	1B2725076-1B	N <MMA, MMB, MMP, MMQ, MMR>
<b>U004</b>	<b>U0040~U0043</b>	<b>BADIS-1093-1E *</b>	<b>1</b>	<b>1B272593-1E</b>	<b>N</b>
U0040	DISPLAY PC BOARD ASSY	BADIS-1093-1E	1	1B2725093-1E	N
U0041	VIDEO PC BOARD ASSY	BAVD-1094-1E	1	1B2725094-1E	N
U0042	SWITCH PC BOARD ASSY	BADIS-1095-1E	1	1B2725095-1E	N
U0043	PHONE JACK PC BOARD ASSY	BAETC-1096-1E	1	1B2725096-1E	N
<b>U005</b>	<b>U0050, U0051</b>	<b>BAHDM-1110-1A *</b>	<b>1</b>	<b>1110-1A_TXNR616MDC</b>	<b>N &lt;MDC&gt;</b>
U0050	HDMI PC BOARD ASSY	BAHDM-1110-1A	1	1B2725110-1A_NR616DC	N <MDC>
U0051	TERMINAL(FRONT HDMI) PC BOARD ASSY	BAHDM-1111-1A	1	1B2725111-1A	N <MDC>
<b>U005</b>	<b>U0050, U0051</b>	<b>BAHDM-1110-1A *</b>	<b>1</b>	<b>1110-1A_TXNR616MDF</b>	<b>N &lt;MDF&gt;</b>
U0050	HDMI PC BOARD ASSY	BAHDM-1110-1A	1	1B2725110-1A_NR616DF	N <MDF>
U0051	TERMINAL(FRONT HDMI) PC BOARD ASSY	BAHDM-1111-1A	1	1B2725111-1A	N <MDF>
<b>U005</b>	<b>U0050, U0051</b>	<b>BAHDM-1110-1A *</b>	<b>1</b>	<b>1110-1A_TXNR616MMP</b>	<b>N &lt;MMQ, MMR, MMP, MMB, MMA&gt;</b>
U0050	HDMI PC BOARD ASSY	BAHDM-1110-1A	1	1B2725110-1A_NR616MP	N <MMQ, MMR, MMP, MMB, MMA>
U0051	TERMINAL(FRONT HDMI) PC BOARD ASSY	BAHDM-1111-1A	1	1B2725111-1A	N <MMQ, MMR, MMP, MMB, MMA>
<b>U006</b>	<b>U0060 x 4 pcs.</b>	<b>BADG-1087-1A *</b>	<b>1</b>	<b>1B272587-1A</b>	<b>N</b>
U0060	DIGITAL PC BOARD ASSY	BADG-1087-1A	1	1B2725087-1A	N
<b>U008</b>	<b>U0080 x 4 pcs.</b>	<b>BAPS-1120-1A *</b>	<b>1</b>	<b>1B272520-1A</b>	<b>N &lt;MDC, MDF&gt;</b>
U0080	POWER SUPPLY PC BOARD ASSY	BAPS-1120-1A	1	1B2725120-1A	N <MDC, MDF>
<b>U008</b>	<b>U0080 x 4 pcs.</b>	<b>BAPS-1120-1B *</b>	<b>1</b>	<b>1B272520-1B</b>	<b>N &lt;MMA, MMB, MMP, MMQ, MMR&gt;</b>
U0080	POWER SUPPLY PC BOARD ASSY	BAPS-1120-1B	1	1B2725120-1B	N <MMA, MMB, MMP, MMQ, MMR>
U010	TUNER UNIT	FAEH08-W01	1	240169A	<B MDC, MDF>
U010	TUNER UNIT	FAEH08-E01	1	240170A	<B MMA, MMB, MMP, MMQ, MMR/ S MMP>

## TX-NR616

## PACKING PROCEDURES PARTS LIST

REF. NC	PART NAME	DESCRIPTION	Q'TY	PART NO. (SN)	REMARKS
<b>[PACKING]</b>					
A601	PAD AS	(AS)609 L & R	1	29092610	

A601A	PAD	(L)	1	29092611	
A601B	PAD	(R)	1	29092612	
A605	POLY BAG	w850xd650	1	29100245	<B / S>
A606	TAPE	(SEROHAN)NITTO NO.29	1	29110149	<B / S>
A608	SHEET	---	1	29095906	
A611	TAPE	(SEROHAN)NITTO NO.29	1	29110149	<B / S>
A677	TAPE	(SEROHAN)NITTO NO.29	1	29110149	
A701	CARTON	(TXNR616DC)	1	29055333	N <B MDC, MDF>
A701	CARTON	(TXNR616)	1	29055334	N <B MMA, MMB, MMP, MMQ, MMR / S MMP>
A704A	UPC LABEL	TXNR616(B)MDC	1	29391854	N <B MDC>
A704A	EAN LABEL	TXNR616(B)MDF	1	29391855	N <B MDF>
A704A	EAN LABEL	TXNR616(B)MMA	1	29391858	N <B MMA>
A704A	EAN LABEL	TXNR616(B)MMR	1	29391860	N <B MMR>
A704A	EAN LABEL	TXNR616(B)MMB	1	29391862	<B MMB>
A704A	EAN LABEL	TXNR616(B)MMP	1	29391856A	N <B MMP>
A704A	EAN LABEL	TXNR616(S)MMP	1	29391857A	N <S MMP>
A704A	EAN LABEL	TXNR616(B)MMQ	1	29391859A	N <B MMQ>
A705	LABEL	(CHINA)	1	29390952A	<B MMR>
A751	LABEL	(APV)	1	29390190	<B MMR>
A755	LABEL	(CCC)	1	29364396	<B MMR>
A760	PP TAPE	W50 SBT-70	1	29110200	
<b>[ACCESSORY]</b>					
A672	POLY BAG	w250xd350	1	29100250A	<B MMA, MMB, MMP, MMQ / S MMP>
A674	POLY BAG	w250xd350	1	29100250A	<B MDF, MMQ, MMR>
A674	POLY BAG	D250xd300xW300(t0.04)	1	29100256A	<B MDC, MMA, MMB, MMP / S MMP>
A676	TAPE	(SEROHAN)NITTO NO.29	1	29110149	
A815	INS MANUAL	EnJa(GNU_License)	1	29401190	
A821	LABEL	(SPCABLE)2009	1	29390881	
A825	INST SHEET	U11(2010_RIHD)	1	29355782A	
A831	INST SHEET	WEEE	1	29355793A	<B MMB, MMP / S MMP>
A835	INS MANUAL	Ar(QC ImportantSheet)	1	29344373B	N <B MMQ>
A841	INST SHEET	CHINA ROHS	1	29355616B	<B MMR>
A845	INST SHEET	Ct_MDF(2012Entry)	1	29355849	<B MDF>
A850	INS MANUAL	U9(2012_Prepro)	1	29401094	<B MDF, MMQ, MMR>
A855	REMO CON	RC-837M	1	24140837	
A856	MIC	MIC-7001	1	245045	
A858	ANT COIL	NMA-3057	1	232140	
A859	FM ANT AS	Type W	1	292191	
A861	BATTERY	R6/AA(UM-3)	2	3010194	<B MDC, MDF, MMA, MMB, MMP, MMQ / S MMP>
A861 or	BATTERY	R6/AA(UM-3)	( 2)	3010054	<B MDC, MDF, MMA, MMB, MMP, MMQ / S MMP>
A891	WRNTY CARD	(ONKYO)	1	29365135	<B MDC>
A891	WRNTY CARD	(ONKYO-CH)	1	29365098C	<B MMR>
A891	WRNTY CARD	MGQ	1	29365099B	<B MMQ>
A901	INS MANDSK	U7(2012_TX_AVR)	1	29500005B	N <B MDC, MMA, MMB, MMP / S MMP>
A911	INS MANUAL	En(TXNR616)	1	29401019	N <B MDF, MMQ>
A913	INS MANUAL	Cs(TXNR616)	1	29401020	N <B MMR>

A915	INS MANUAL	Ct(TXNR616)	1	29401021	N <B MDF, MMQ>
A921	INS MANUAL	QSG_En(TXNR616)	1	29401022	N <B MDC, MDF, MMA, MMB, MMP, MMQ / S MMP>
A923	INS MANUAL	QSG_Fr(TXNR616)	1	29401023	N <B MDC, MMP / S MMP>
A925	INS MANUAL	QSG_Es(TXNR616)	1	29401024	N <B MDC, MMP / S MMP>
A927	INS MANUAL	QSG_It(TXNR616)	1	29401025	N <B MMP / S MMP>
A929	INS MANUAL	QSG_De(TXNR616)	1	29401026	N <B MMP / S MMP>
A931	INS MANUAL	QSG_Ni(TXNR616)	1	29401027	N <B MMP / S MMP>
A933	INS MANUAL	QSG_Sv(TXNR616)	1	29401028	N <B MMP / S MMP>
A935	INS MANUAL	QSG_Ar(TXNR616)	1	29401029	N <B MMQ>
A937	INS MANUAL	QSG_Fi(TXNR616)	1	29401030	N <B MMP / S MMP>
A939	INS MANUAL	QSG-Cs(TXNR616)	1	29401031	N <B MMR>
A971	INS MANUAL	SAFETY_U3	1	29400883	<B MDC, MMA, MMB>
A973	INS MANUAL	SAFETY_U10	1	29400884	<B MMP / S MMP>

## TX-NR616

## PC BOARD PARTS LIST

<b>U001</b>	U0010~U0014	BAAF-1078-1A/1B *
<b>U0010</b>	AUDIO PC BOARD ASS'Y	BAAF-1078-1A/1B
<b>U0011</b>	SENSOR PC BOARD ASS'Y	BAETC-1079-1A/1B
<b>U0012</b>	FIX PC BOARD	BAETC-1080-1A/1B
<b>U0013</b>	PC BOARD ASSY	BAETC-1081-1A/1B
<b>U0014</b>	POWER SUPPLY(VP) PC BOARD ASSY	BAETC-1082-1A/1B

CIRCUIT	PART NAME	DESCRIPTION	Q'TY	PART NO. (SN)	REMARKS
<b>[SEMI CONDUCTOR]</b>					
D4171	ZENER D	DZ2J075M0L	1	224760750R2	
D4171 or	ZENER D	UDZS7.5B	(1)	224550750R2	
D4172	ZENER D	DZ2J075M0L	1	224760750R2	
D4172 or	ZENER D	UDZS7.5B	(1)	224550750R2	
D4200	C-DIODE	DA2J10100	1	223303R2	<B MJJ>
D4200 or	C-DIODE	1SS352	(1)	223234R2	<B MJJ>
D4200 or	C-DIODE	1SS355	(1)	223269R2	<B MJJ>
D4200 or	C-DIODE	MA2J111	(1)	223279R2	<B MJJ>
D4200 or	C-DIODE	KDS4148U	(1)	223283R2	<B MJJ>
D4207	C-DIODE	DA2J10100	1	223303R2	<B MJJ>
D4207 or	C-DIODE	1SS352	(1)	223234R2	<B MJJ>
D4207 or	C-DIODE	1SS355	(1)	223269R2	<B MJJ>
D4207 or	C-DIODE	MA2J111	(1)	223279R2	<B MJJ>
D4207 or	C-DIODE	KDS4148U	(1)	223283R2	<B MJJ>
D4208	C-DIODE	MA2J111	1	223279R2	<B MJJ>
D4208 or	C-DIODE	1SS352	(1)	223234R2	<B MJJ>
D4208 or	C-DIODE	1SS355	(1)	223269R2	<B MJJ>
D4208 or	C-DIODE	MA2J111	(1)	223279R2	<B MJJ>
D4208 or	C-DIODE	KDS4148U	(1)	223283R2	<B MJJ>

D4217	C-DIODE	DA2J10100	1	223303R2	<B MJJ>
D4217 or	C-DIODE	1SS352	(1)	223234R2	<B MJJ>
D4217 or	C-DIODE	1SS355	(1)	223269R2	<B MJJ>
D4217 or	C-DIODE	MA2J111	(1)	223279R2	<B MJJ>
D4217 or	C-DIODE	KDS4148U	(1)	223283R2	<B MJJ>
D4218	C-DIODE	DA2J10100	1	223303R2	<B MJJ>
D4218 or	C-DIODE	1SS352	(1)	223234R2	<B MJJ>
D4218 or	C-DIODE	1SS355	(1)	223269R2	<B MJJ>
D4218 or	C-DIODE	MA2J111	(1)	223279R2	<B MJJ>
D4218 or	C-DIODE	KDS4148U	(1)	223283R2	<B MJJ>
D4300	DIODE	RL1N4003	1	22380260T	
D4301	DIODE	RL1N4003	1	22380260T	
D4302	DIODE	RL1N4003	1	22380260T	
D4303	DIODE	RL1N4003	1	22380260T	
D4304	DIODE	RL1N4003	1	22380260T	
D4305	DIODE	RL1N4003	1	22380260T	
D4307	C-DIODE	DA2J10100	1	223303R2	
D4307 or	C-DIODE	1SS352	(1)	223234R2	
D4307 or	C-DIODE	1SS355	(1)	223269R2	
D4307 or	C-DIODE	MA2J111	(1)	223279R2	
D4307 or	C-DIODE	KDS4148U	(1)	223283R2	
D4308	C-DIODE	DA2J10100	1	223303R2	
D4308 or	C-DIODE	1SS352	(1)	223234R2	
D4308 or	C-DIODE	1SS355	(1)	223269R2	
D4308 or	C-DIODE	MA2J111	(1)	223279R2	
D4308 or	C-DIODE	KDS4148U	(1)	223283R2	
D4400	ZENER D	DZ2J056M0L	1	224760560R2	
D4400 or	ZENER D	UDZS5.6B	(1)	224550560R2	
D6000	C-DIODE	DA2J10100	1	223303R2	
D6000 or	C-DIODE	1SS352	(1)	223234R2	
D6000 or	C-DIODE	1SS355	(1)	223269R2	
D6000 or	C-DIODE	MA2J111	(1)	223279R2	
D6000 or	C-DIODE	KDS4148U	(1)	223283R2	
D6001	C-DIODE	DA2J10100	1	223303R2	
D6001 or	C-DIODE	1SS352	(1)	223234R2	
D6001 or	C-DIODE	1SS355	(1)	223269R2	
D6001 or	C-DIODE	MA2J111	(1)	223279R2	
D6001 or	C-DIODE	KDS4148U	(1)	223283R2	
D6002	C-DIODE	DA2J10100	1	223303R2	
D6002 or	C-DIODE	1SS352	(1)	223234R2	
D6002 or	C-DIODE	1SS355	(1)	223269R2	
D6002 or	C-DIODE	MA2J111	(1)	223279R2	
D6002 or	C-DIODE	KDS4148U	(1)	223283R2	
D6003	C-DIODE	DA2J10100	1	223303R2	
D6003 or	C-DIODE	1SS352	(1)	223234R2	
D6003 or	C-DIODE	1SS355	(1)	223269R2	

D6003 or C-DIODE	MA2J111	(1)	223279R2	
D6003 or C-DIODE	KDS4148U	(1)	223283R2	
D6004 C-DIODE	DA2J10100	1	223303R2	
D6004 or C-DIODE	1SS352	(1)	223234R2	
D6004 or C-DIODE	1SS355	(1)	223269R2	
D6004 or C-DIODE	MA2J111	(1)	223279R2	
D6004 or C-DIODE	KDS4148U	(1)	223283R2	
D6005 C-DIODE	DA2J10100	1	223303R2	
D6005 or C-DIODE	1SS352	(1)	223234R2	
D6005 or C-DIODE	1SS355	(1)	223269R2	
D6005 or C-DIODE	MA2J111	(1)	223279R2	
D6005 or C-DIODE	KDS4148U	(1)	223283R2	
D6006 C-DIODE	DA2J10100	1	223303R2	
D6006 or C-DIODE	1SS352	(1)	223234R2	
D6006 or C-DIODE	1SS355	(1)	223269R2	
D6006 or C-DIODE	MA2J111	(1)	223279R2	
D6006 or C-DIODE	KDS4148U	(1)	223283R2	
D6401 DIODE	TS10B06G-07	1	22380379	
D6401A HEAT SINK	RAD-196	1	27160545	
D6401C SCREW	3P+10FN(3BC)	1	82143010GR	
D6402 C-DIODE	DA2J10100	1	223303R2	
D6402 or C-DIODE	1SS352	(1)	223234R2	
D6402 or C-DIODE	1SS355	(1)	223269R2	
D6402 or C-DIODE	MA2J111	(1)	223279R2	
D6402 or C-DIODE	KDS4148U	(1)	223283R2	
D6451 C-DIODE	DA2J10100	1	223303R2	
D6451 or C-DIODE	1SS352	(1)	223234R2	
D6451 or C-DIODE	1SS355	(1)	223269R2	
D6451 or C-DIODE	MA2J111	(1)	223279R2	
D6451 or C-DIODE	KDS4148U	(1)	223283R2	
D6452 C-DIODE	DA2J10100	1	223303R2	
D6452 or C-DIODE	1SS352	(1)	223234R2	
D6452 or C-DIODE	1SS355	(1)	223269R2	
D6452 or C-DIODE	MA2J111	(1)	223279R2	
D6452 or C-DIODE	KDS4148U	(1)	223283R2	
D6455 ZENER D	DZ2J033M0L	1	224760330R2	
D6455 or ZENER D	UDZS3.3B	(1)	224550330R2	
D960 DIODE	RL1N4003	1	22380260T	
D961 DIODE	RL1N4003	1	22380260T	
D962 ZENER D	UDZS36B	1	224553600R2	
D962 or ZENER D	DZ2J360M0L	(1)	224763600R2	
Q4001 IC	R2A15220FP	1	22242600R3	
Q4003 IC	NJM4580M-D	1	22241448R2	
Q4100 TR	RN1441	1	2215410R2	
Q4100 or TR	RTAN430C-T112-1	(1)	2217780R2	N
Q4101 TR	RN1441	1	2215410R2	



Q4101 or TR		RTAN430C-T112-1	(1)	2217780R2	N
Q4102	TR	RN1441	1	2215410R2	
Q4102 or TR		RTAN430C-T112-1	(1)	2217780R2	N
Q4103	TR	RN1441	1	2215410R2	
Q4103 or TR		RTAN430C-T112-1	(1)	2217780R2	N
Q4104	TR	RN1441	1	2215410R2	
Q4104 or TR		RTAN430C-T112-1	(1)	2217780R2	N
Q4105	TR	RN1441	1	2215410R2	
Q4105 or TR		RTAN430C-T112-1	(1)	2217780R2	N
Q4106	TR	RN1441	1	2215410R2	
Q4106 or TR		RTAN430C-T112-1	(1)	2217780R2	N
Q4107	TR	RN1441	1	2215410R2	
Q4107 or TR		RTAN430C-T112-1	(1)	2217780R2	N
Q4110	TR	RN1441	1	2215410R2	<B MJJ>
Q4110 or TR		RTAN430C-T112-1	(1)	2217780R2	N <B MJJ>
Q4111	TR	RN1441	1	2215410R2	<B MJJ>
Q4111 or TR		RTAN430C-T112-1	(1)	2217780R2	N <B MJJ>
Q4112	TR	RN1441	1	2215410R2	<B MJJ>
Q4112 or TR		RTAN430C-T112-1	(1)	2217780R2	N <B MJJ>
Q4113	TR	RN1441	1	2215410R2	<B MJJ>
Q4113 or TR		RTAN430C-T112-1	(1)	2217780R2	N <B MJJ>
Q4114	TR	RN1441	1	2215410R2	<B MJJ>
Q4114 or TR		RTAN430C-T112-1	(1)	2217780R2	N <B MJJ>
Q4115	TR	RN1441	1	2215410R2	<B MJJ>
Q4115 or TR		RTAN430C-T112-1	(1)	2217780R2	N <B MJJ>
Q4116	TR	RN1441	1	2215410R2	<B MJJ>
Q4116 or TR		RTAN430C-T112-1	(1)	2217780R2	N <B MJJ>
Q4117	TR	RN1441	1	2215410R2	
Q4117 or TR		RTAN430C-T112-1	(1)	2217780R2	N
Q4130	IC	NJM4580M-D	1	22241448R2	
Q4170	IC	78M15HF(NJM78M15FA)	1	222780155JRC	
Q4170 or IC		UPC78M15AHF-AZ	(1)	222780155NEC	
Q4170A	HEAT SINK	RAD-196	1	27160545	
Q4170B	SCREW	3P+10FN(3BC)	1	82143010GR	
Q4171	IC	79M15HF(NJM79M15FA)	1	222790155JRC	
Q4171 or IC		UPC79M15HF-AZ	(1)	222790155NEC	
Q4171B	SCREW	3P+10FN(3BC)	1	82143010GR	
Q4184	TR	2SC2235-Y(TPE6_F)	1	2211654T	
Q4185	TR	2SA965-O(TPE6_F)	1	2211643T	
Q4200	TR	KRC102S	1	2216190R2	<B MJJ>
Q4200 or TR		RN1402	(1)	2214470R2	<B MJJ>
Q4302	TR	RN1441	1	2215410R2	
Q4302 or TR		RTAN430C-T112-1	(1)	2217780R2	N
Q4303	TR	RN1441	1	2215410R2	
Q4303 or TR		RTAN430C-T112-1	(1)	2217780R2	N
Q4304	TR	RN1441	1	2215410R2	

Q4304 or TR		RTAN430C-T112-1	(1)	2217780R2	N
Q4305	TR	RN1441	1	2215410R2	
Q4305 or TR		RTAN430C-T112-1	(1)	2217780R2	N
Q4400	TR	2SC2235-Y(TPE6_F)	1	2211654T	
Q4400 or TR		2SC2235-O(TPE6_F)	(1)	2211653T	
Q4501	IC	NJM4580M-D	1	22241448R2	
Q4502	IC	NJM4580M-D	1	22241448R2	
Q4503	IC	NJM4580M-D	1	22241448R2	
Q6000	TR	2SC1740S-S	1	2213285T	
Q6000 or TR		KTC3198-GR	(1)	2215985T	
Q6001	TR	2SC1740S-S	1	2213285T	
Q6001 or TR		KTC3198-GR	(1)	2215985T	
Q6002	TR	2SC1740S-S	1	2213285T	
Q6002 or TR		KTC3198-GR	(1)	2215985T	
Q6003	TR	2SC1740S-S	1	2213285T	
Q6003 or TR		KTC3198-GR	(1)	2215985T	
Q6004	TR	2SC1740S-S	1	2213285T	
Q6004 or TR		KTC3198-GR	(1)	2215985T	
Q6005	TR	2SC1740S-S	1	2213285T	
Q6005 or TR		KTC3198-GR	(1)	2215985T	
Q6006	TR	2SC1740S-S	1	2213285T	
Q6006 or TR		KTC3198-GR	(1)	2215985T	
Q6070	TR	2SC2229-Y(TPE6_F)	1	2211634T	
Q6070 or TR		2SC2229-O(TPE6_F)	(1)	2211633T	
Q6071	TR	2SC2229-Y(TPE6_F)	1	2211634T	
Q6071 or TR		2SC2229-O(TPE6_F)	(1)	2211633T	
Q6072	TR	2SC2229-Y(TPE6_F)	1	2211634T	
Q6072 or TR		2SC2229-O(TPE6_F)	(1)	2211633T	
Q6073	TR	2SC2229-Y(TPE6_F)	1	2211634T	
Q6073 or TR		2SC2229-O(TPE6_F)	(1)	2211633T	
Q6074	TR	2SC2229-Y(TPE6_F)	1	2211634T	
Q6074 or TR		2SC2229-O(TPE6_F)	(1)	2211633T	
Q6075	TR	2SC2229-Y(TPE6_F)	1	2211634T	
Q6075 or TR		2SC2229-O(TPE6_F)	(1)	2211633T	
Q6076	TR	2SC2229-Y(TPE6_F)	1	2211634T	
Q6076 or TR		2SC2229-O(TPE6_F)	(1)	2211633T	
Q6300	IC	LM61CIZ	1	22242212	
Q6300A	RETAINER	(PTH)	1	27141884-1	
Q6401	TR	2SC2712-GR	1	2213145R2	
Q6401 or TR		KTC3875-GR	(1)	2216175R2	
Q6451	TR	2SC2712-GR	1	2213145R2	
Q6451 or TR		KTC3875-GR	(1)	2216175R2	
Q6452	TR	2SC2712-GR	1	2213145R2	
Q6452 or TR		KTC3875-GR	(1)	2216175R2	
Q6453	TR	2SA1163-BL(TE85L_F)	1	2216756R2	
Q6453 or TR		KTA1517-GR	(1)	2216305R2	

Q6454	TR	2SA1163-BL(TE85L_F)	1	2216756R2	
Q6454 or	TR	KTA1517-GR	( 1)	2216305R2	
Q960	TR	2SC2235-Y(TPE6_F)	1	2211654T	
<b>[CAPACITOR]</b>					
C4003	C-CERA C	CC725CH1H-221J1	1	342102214R1	
C4004	C-CERA C	CC725CH1H-221J1	1	342102214R1	
C4007	UPZ C	2AUPZTF221JE	1	376332214T	
C4008	UPZ C	2AUPZTF221JE	1	376332214T	
C4009	C-CERA C	CC725CH1H-221J1	1	342102214R1	
C4010	C-CERA C	CC725CH1H-221J1	1	342102214R1	
C4013	C-CERA C	CC725CH1H-221J1	1	342102214R1	
C4014	C-CERA C	CC725CH1H-221J1	1	342102214R1	
C4017	C-CERA C	CC725CH1H-221J1	1	342102214R1	
C4018	C-CERA C	CC725CH1H-221J1	1	342102214R1	
C4019	UPZ C	2AUPZTF221JE	1	376332214T	
C4020	UPZ C	2AUPZTF221JE	1	376332214T	
C4027	C-CERA C	CC725CH1H-221J1	1	342102214R1	<B MJJ>
C4030	C-CERA C	CC725CH1H-221J1	1	342102214R1	<B MJJ>
C4031	C-CERA C	CC725CH1H-221J1	1	342102214R1	<B MJJ>
C4032	C-CERA C	CC725CH1H-221J1	1	342102214R1	<B MJJ>
C4033	C-CERA C	CC725CH1H-221J1	1	342102214R1	<B MJJ>
C4034	C-CERA C	CC725CH1H-221J1	1	342102214R1	<B MJJ>
C4035	C-CERA C	CC725CH1H-221J1	1	342102214R1	<B MJJ>
C4036	C-CERA C	CC725CH1H-221J1	1	342102214R1	<B MJJ>
C4037	C-CERA C	CC725CH1H-221J1	1	342102214R1	
C4050	UTSP C	CE04W10V-220M(UTSP)	1	397532217T	
C4051	UTSP C	CE04W10V-220M(UTSP)	1	397532217T	
C4052	UTSP C	CE04W10V-220M(UTSP)	1	397532217T	
C4053	UTSP C	CE04W25V-47M(UTSP)	1	397554707T	
C4054	UTSP C	CE04W25V-47M(UTSP)	1	397554707T	
C4055	UTSP C	CE04W25V-47M(UTSP)	1	397554707T	
C4056	UTSP C	CE04W25V-47M(UTSP)	1	397554707T	
C4057	UTSP C	CE04W25V-47M(UTSP)	1	397554707T	
C4060	UTSP C	CE04W50V 47M(UTSP)	1	397584707T	
C4061	UTSP C	CE04W50V 47M(UTSP)	1	397584707T	
C4070	UTSP C	CE04W50V 47M(UTSP)	1	397584707T	
C4071	UTSP C	CE04W50V 47M(UTSP)	1	397584707T	
C4072	UTSP C	CE04W50V 47M(UTSP)	1	397584707T	
C4073	UTSP C	CE04W50V 47M(UTSP)	1	397584707T	
C4074	UTSP C	CE04W50V 47M(UTSP)	1	397584707T	
C4075	UTSP C	CE04W50V 47M(UTSP)	1	397584707T	
C4076	UTSP C	CE04W50V 47M(UTSP)	1	397584707T	
C4077	UTSP C	CE04W50V 47M(UTSP)	1	397584707T	
C4078	UTSP C	CE04W50V 47M(UTSP)	1	397584707T	
C4079	UTSP C	CE04W50V 47M(UTSP)	1	397584707T	
C4090	C-CERA C	CC725CH1H-101J1	1	342101014R1	

C4091	C-CERA C	CC725CH1H-101J1	1	342101014R1	
C4100	UTSP C	CE04W50V-47M(UTSP)	1	397584707T	
C4101	UTSP C	CE04W50V-47M(UTSP)	1	397584707T	
C4102	UTSP C	CE04W50V-47M(UTSP)	1	397584707T	
C4103	UTSP C	CE04W50V-47M(UTSP)	1	397584707T	
C4104	UTSP C	CE04W50V-47M(UTSP)	1	397584707T	
C4105	UTSP C	CE04W50V-47M(UTSP)	1	397584707T	
C4106	UTSP C	CE04W50V-47M(UTSP)	1	397584707T	
C4107	UTSP C	CE04W50V-47M(UTSP)	1	397584707T	
C4108	UTSP C	CE04W50V-47M(UTSP)	1	397584707T	
C4109	UTSP C	CE04W50V-47M(UTSP)	1	397584707T	
C4130	UTSP C	CE04W50V-47M(UTSP)	1	397584707T	
C4131	C-CERA C	CC725CH1H-221J1	1	342102214R1	
C4132	TF C	ECQ-V50V-103J	1	374721034T	
C4166	UTSP C	CE04W25V-220M(UTSP)	1	397552217T	
C4167	UTSP C	CE04W25V-220M(UTSP)	1	397552217T	
C4170	UTSP C	CE04W50V-10M(UTSP)	1	397581007T	
C4171	UTSP C	CE04W50V-10M(UTSP)	1	397581007T	
C4172	UTSP C	CE04W25V-220M(UTSP)	1	397552217T	
C4173	UTSP C	CE04W25V-220M(UTSP)	1	397552217T	
C4174	UTSP C	CE04W16V-470M(UTSP)	1	397544717T	
C4175	UTSP C	CE04W16V-470M(UTSP)	1	397544717T	
C4184	UTSP C	CE04W25V-220M(UTSP)	1	397552217T	
C4185	UTSP C	CE04W25V-220M(UTSP)	1	397552217T	
C4186	UTSP C	CE04W25V-220M(UTSP)	1	397552217T	
C4187	UTSP C	CE04W25V-220M(UTSP)	1	397552217T	
C4200	C-CERA C	CK725B1H-103K1	1	332101035R1	<B MJJ>
C4203	C-CERA C	CC725CH1H-102J1	1	342101024R1	
C4204	C-CERA C	CC725CH1H-102J1	1	342101024R1	
C4206	C-CERA C	CC725CH1H-102J1	1	342101024R1	
C4207	C-CERA C	CC725CH1H-221J1	1	342102214R1	<B MJJ>
C4208	C-CERA C	CC725CH1H-221J1	1	342102214R1	<B MJJ>
C4209	UTSP C	CE04W25V-47M(UTSP)	1	397554707T	
C4210	UTSP C	CE04W25V-47M(UTSP)	1	397554707T	
C4300	TF C	ECQ-V50V-334J	1	374723344T	
C4301	JAMICON	CE04W35V-1000M	1	398561027T	
C4301 or	VR C	CE04W35V-1000M(VR)	( 1)	394661027T	
C4302	JAMICON	CE04W35V-470M	1	398564717T	
C4302 or	VR C	CE04W35V-470M(VR)	( 1)	394664717T	
C4305	C-CERA C	CC725CH1H-221J1	1	342102214R1	
C4306	C-CERA C	CC725CH1H-221J1	1	342102214R1	
C4320	UTSP C	CE04W50V-47M(UTSP)	1	397584707T	
C4321	UTSP C	CE04W50V-47M(UTSP)	1	397584707T	
C4322	C-CERA C	CC725CH1H-221J1	1	342102214R1	
C4323	C-CERA C	CC725CH1H-221J1	1	342102214R1	
C4324	C-CERA C	CC725CH1H-102J1	1	342101024R1	

C4400	C-CERA C	CK725B1H-102K1	1	332101025R1	
C4401	C-CERA C	CK725B1H-102K1	1	332101025R1	
C4404	UTSP C	CE04W25V-47M(UTSP)	1	397554707T	
C4405	C-CERA C	CK725F1E-104Z1	1	332161040R1	
C4501	UTSP C	CE04W50V 47M(UTSP)	1	397584707T	
C4502	UTSP C	CE04W50V 47M(UTSP)	1	397584707T	
C4505	UTSP C	CE04W50V 47M(UTSP)	1	397584707T	
C4506	TF C	ECQ-V50V-105J	1	374721054T	
C4507	C-CERA C	CK725F1H-224Z1	1	332152240R1	
C4508	UTSP C	CE04W50V 47M(UTSP)	1	397584707T	
C4509	UTSP C	CE04W25V-47M(UTSP)	1	397554707T	
C4510	UTSP C	CE04W25V-47M(UTSP)	1	397554707T	
C6050	TF C	ECQ-V50V-103J	1	374721034T	
C6051	TF C	ECQ-V50V-103J	1	374721034T	
C6052	TF C	ECQ-V50V-103J	1	374721034T	
C6053	TF C	ECQ-V50V-103J	1	374721034T	
C6054	TF C	ECQ-V50V-103J	1	374721034T	
C6055	TF C	ECQ-V50V-103J	1	374721034T	
C6056	TF C	ECQ-V50V-103J	1	374721034T	
C6301	C-CERA C	CK725F1E-104Z1	1	332161040R1	
C6351	TF C	ECQ-V50V-103J	1	374721034T	<B MMA, MMB, MMP, MMQ, MMR>
C6352	TF C	ECQ-V50V-103J	1	374721034T	<B MMA, MMB, MMP, MMQ, MMR>
C6353	MKT C	B32529C0102J289	1	376491024T	<B MMA, MMB, MMP, MMQ, MMR>
C6354	MKT C	B32529C0102J289	1	376491024T	<B MMA, MMB, MMP, MMQ, MMR>
C6401	ELECT C	CE69W69V-10000MA	1	3504425	
C6401A	IB CUSHION	W15*3t TAPE	1	28141585	
C6402	ELECT C	CE69W69V-10000MA	1	3504425	
C6403	TF C	ECQ-V100V-334J	1	374733344T	
C6404	TF C	ECQ-V100V-334J	1	374733344T	
C6408	C-CERA C	CC725CH1H-102J1	1	342101024R1	
C6451	UTSP C	CE04W25V-100M(UTSP)	1	397551017T	
C6452	C-CERA C	CK725F1H-104Z1	1	332151040R1	
C6453	UTSP C	CE04W50V-1M(UTSP)	1	397580107T	
C6454	UTSP C	CE04W50V-1M(UTSP)	1	397580107T	
C6455	C-CERA C	CK725F1H-104Z1	1	332151040R1	
C6456	UTSP C	CE04W50V-10M(UTSP)	1	397581007T	
C950	TF C	ECQ-V50V-104J	1	374721044T	
C960	VR C	CE04W63V-220M(VR)	1	394672217T	
C961	UTSP C	CE04W50V 47M(UTSP)	1	397584707T	
C962	TF C	ECQ-V50V-104J	1	374721044T	
C963	UTSP C	CE04W50V 47M(UTSP)	1	397584707T	
<b>[RESISTOR]</b>					
R4003	C-CARBON R	RN72K1J-331JE	1	435033314R1	
R4004	C-CARBON R	RN72K1J-331JE	1	435033314R1	
R4007	C-CARBON R	RN72K1J-331JE	1	435033314R1	
R4008	C-CARBON R	RN72K1J-331JE	1	435033314R1	



R4009	C-CARBON R	RN72K1J-331JE	1	435033314R1	
R4010	C-CARBON R	RN72K1J-331JE	1	435033314R1	
R4013	C-CARBON R	RN72K1J-331JE	1	435033314R1	
R4014	C-CARBON R	RN72K1J-331JE	1	435033314R1	
R4017	C-CARBON R	RN72K1J-331JE	1	435033314R1	
R4018	C-CARBON R	RN72K1J-331JE	1	435033314R1	
R4019	C-CARBON R	RN72K1J-331JE	1	435033314R1	
R4020	C-CARBON R	RN72K1J-331JE	1	435033314R1	
R4022	C-CARBON R	RN72K1J-000JE	1	435030004R1	
R4023	C-CARBON R	RN72K1J-000JE	1	435030004R1	
R4027	C-CARBON R	RN72K1J-223JE	1	435032234R1	
R4028	C-CARBON R	RN72K1J-101JE	1	435031014R1	<B MJJ>
R4029	C-CARBON R	RN72K1J-101JE	1	435031014R1	<B MDC, MDD, MDF, B MMA, MMB, MMP, MMQ, MMR>
R4030	C-CARBON R	RN72K1J-101JE	1	435031014R1	<B MJJ>
R4031	C-CARBON R	RN72K1J-101JE	1	435031014R1	<B MJJ>
R4032	C-CARBON R	RN72K1J-101JE	1	435031014R1	<B MJJ>
R4033	C-CARBON R	RN72K1J-101JE	1	435031014R1	<B MJJ>
R4034	C-CARBON R	RN72K1J-101JE	1	435031014R1	<B MJJ>
R4035	C-CARBON R	RN72K1J-101JE	1	435031014R1	<B MJJ>
R4036	C-CARBON R	RN72K1J-101JE	1	435031014R1	<B MJJ>
R4038	C-CARBON R	RN72K1J-101JE	1	435031014R1	
R4043	C-CARBON R	RN72K1J-104JE	1	435031044R1	
R4044	C-CARBON R	RN72K1J-104JE	1	435031044R1	
R4047	C-CARBON R	RN72K1J-104JE	1	435031044R1	
R4048	C-CARBON R	RN72K1J-104JE	1	435031044R1	
R4049	C-CARBON R	RN72K1J-104JE	1	435031044R1	
R4050	C-CARBON R	RN72K1J-104JE	1	435031044R1	
R4053	C-CARBON R	RN72K1J-104JE	1	435031044R1	
R4054	C-CARBON R	RN72K1J-104JE	1	435031044R1	
R4057	C-CARBON R	RN72K1J-104JE	1	435031044R1	
R4058	C-CARBON R	RN72K1J-104JE	1	435031044R1	
R4059	C-CARBON R	RN72K1J-104JE	1	435031044R1	
R4060	C-CARBON R	RN72K1J-104JE	1	435031044R1	
R4069	C-CARBON R	RN72K1J-104JE	1	435031044R1	
R4070	C-CARBON R	RN72K1J-224JE	1	435032244R1	<B MJJ>
R4071	C-CARBON R	RN72K1J-224JE	1	435032244R1	<B MJJ>
R4072	C-CARBON R	RN72K1J-224JE	1	435032244R1	<B MJJ>
R4073	C-CARBON R	RN72K1J-224JE	1	435032244R1	<B MJJ>
R4074	C-CARBON R	RN72K1J-224JE	1	435032244R1	<B MJJ>
R4075	C-CARBON R	RN72K1J-224JE	1	435032244R1	<B MJJ>
R4076	C-CARBON R	RN72K1J-224JE	1	435032244R1	<B MJJ>
R4077	C-CARBON R	RN72K1J-223JE	1	435032234R1	
R4078	C-CARBON R	RN72K1J-473JE	1	435034734R1	
R4079	C-CARBON R	RN72K1J-473JE	1	435034734R1	
R4082	C-CARBON R	RN72K1J-104JE	1	435031044R1	
R4083	C-CARBON R	RN72K1J-104JE	1	435031044R1	

R4084	C-CARBON R	RN72K1J-104JE	1	435031044R1	
R4087	C-CARBON R	RN72K1J-222JE	1	435032224R1	
R4088	C-CARBON R	RN72K1J-222JE	1	435032224R1	
R4089	C-CARBON R	RN72K1J-000JE	1	435030004R1	
R4090	C-CARBON R	RN72K1J-123JE	1	435031234R1	
R4091	C-CARBON R	RN72K1J-223JE	1	435032234R1	
R4092	C-CARBON R	RN72K1J-331JE	1	435033314R1	
R4093	C-CARBON R	RN72K1J-332JE	1	435033324R1	
R4094	C-CARBON R	RN72K1J-103JE	1	435031034R1	
R4095	C-CARBON R	RN72K1J-103JE	1	435031034R1	
R4096	C-CARBON R	RN72K1J-331JE	1	435033314R1	
R4097	C-CARBON R	RN72K1J-332JE	1	435033324R1	
R4098	C-CARBON R	RN72K1J-123JE	1	435031234R1	
R4099	C-CARBON R	RN72K1J-223JE	1	435032234R1	
R4100	C-CARBON R	RN72K1J-224JE	1	435032244R1	
R4101	C-CARBON R	RN72K1J-224JE	1	435032244R1	
R4102	C-CARBON R	RN72K1J-224JE	1	435032244R1	
R4103	C-CARBON R	RN72K1J-224JE	1	435032244R1	
R4104	C-CARBON R	RN72K1J-224JE	1	435032244R1	
R4105	C-CARBON R	RN72K1J-224JE	1	435032244R1	
R4106	C-CARBON R	RN72K1J-224JE	1	435032244R1	
R4107	C-CARBON R	RN72K1J-224JE	1	435032244R1	
R4108	C-CARBON R	RN72K1J-224JE	1	435032244R1	
R4109	C-CARBON R	RN72K1J-224JE	1	435032244R1	
R4110	C-CARBON R	RN72K1J-121JE	1	435031214R1	<B MJJ>
R4110	C-CARBON R	RN72K1J-222JE	1	435032224R1	<B MDC, MDD, MDF, B MMA, MMB, MMP, MMQ, MMR>
R4111	C-CARBON R	RN72K1J-121JE	1	435031214R1	<B MJJ>
R4111	C-CARBON R	RN72K1J-222JE	1	435032224R1	<B MDC, MDD, MDF, B MMA, MMB, MMP, MMQ, MMR>
R4112	C-CARBON R	RN72K1J-121JE	1	435031214R1	<B MJJ>
R4112	C-CARBON R	RN72K1J-222JE	1	435032224R1	<B MDC, MDD, MDF, B MMA, MMB, MMP, MMQ, MMR>
R4113	C-CARBON R	RN72K1J-121JE	1	435031214R1	<B MJJ>
R4113	C-CARBON R	RN72K1J-222JE	1	435032224R1	<B MDC, MDD, MDF, B MMA, MMB, MMP, MMQ, MMR>
R4114	C-CARBON R	RN72K1J-121JE	1	435031214R1	<B MJJ>
R4114	C-CARBON R	RN72K1J-222JE	1	435032224R1	<B MDC, MDD, MDF, B MMA, MMB, MMP, MMQ, MMR>
R4115	C-CARBON R	RN72K1J-121JE	1	435031214R1	<B MJJ>
R4115	C-CARBON R	RN72K1J-222JE	1	435032224R1	<B MDC, MDD, MDF, B MMA, MMB, MMP, MMQ, MMR>
R4116	C-CARBON R	RN72K1J-121JE	1	435031214R1	<B MJJ>
R4116	C-CARBON R	RN72K1J-222JE	1	435032224R1	<B MDC, MDD, MDF, B MMA, MMB, MMP, MMQ, MMR>
R4117	C-CARBON R	RN72K1J-271JE	1	435032714R1	
R4120	C-CARBON R	RN72K1J-000JE	1	435030004R1	<B MDC, MDD, MDF, B MMA, MMB, MMP, MMQ, MMR>
R4120	C-CARBON R	RN72K1J-101JE	1	435031014R1	<B MJJ>
R4121	C-CARBON R	RN72K1J-000JE	1	435030004R1	<B MDC, MDD, MDF, B MMA, MMB, MMP, MMQ, MMR>
R4121	C-CARBON R	RN72K1J-101JE	1	435031014R1	<B MJJ>
R4122	C-CARBON R	RN72K1J-000JE	1	435030004R1	<B MDC, MDD, MDF, B MMA, MMB, MMP, MMQ, MMR>
R4122	C-CARBON R	RN72K1J-101JE	1	435031014R1	<B MJJ>
R4123	C-CARBON R	RN72K1J-000JE	1	435030004R1	<B MDC, MDD, MDF, B MMA, MMB, MMP, MMQ, MMR>

R4123	C-CARBON R	RN72K1J-101JE	1	435031014R1	<B MJJ>
R4124	C-CARBON R	RN72K1J-000JE	1	435030004R1	<B MDC, MDD, MDF, B MMA, MMB, MMP, MMQ, MMR>
R4124	C-CARBON R	RN72K1J-101JE	1	435031014R1	<B MJJ>
R4125	C-CARBON R	RN72K1J-000JE	1	435030004R1	<B MDC, MDD, MDF, B MMA, MMB, MMP, MMQ, MMR>
R4125	C-CARBON R	RN72K1J-101JE	1	435031014R1	<B MJJ>
R4126	C-CARBON R	RN72K1J-000JE	1	435030004R1	<B MDC, MDD, MDF, B MMA, MMB, MMP, MMQ, MMR>
R4126	C-CARBON R	RN72K1J-101JE	1	435031014R1	<B MJJ>
R4127	C-CARBON R	RN72K1J-101JE	1	435031014R1	
R4130	C-CARBON R	RN72K1J-221JE	1	435032214R1	
R4131	C-CARBON R	RN72K1J-473JE	1	435034734R1	
R4132	C-CARBON R	RN72K1J-153JE	1	435031534R1	
R4133	C-CARBON R	RN72K1J-122JE	1	435031224R1	
R4134	C-CARBON R	RN72K1J-103JE	1	435031034R1	
R4160	METAL R	RNU1WCJ-3.3	1	453630334T	<B MDC, MDD, MDF, B MJJ>
R4160	METAL R	RNU1WCJ-0.47	1	453634794T	<B MMA, MMB, MMP, MMQ, MMR>
R4161	METAL R	RNU1WCJ-3.3	1	453630334T	<B MDC, MDD, MDF, B MJJ>
R4161	METAL R	RNU1WCJ-0.47	1	453634794T	<B MMA, MMB, MMP, MMQ, MMR>
R4162	METAL R	RNU1WCJ-3.3	1	453630334T	<B MDC, MDD, MDF, B MJJ>
R4162	METAL R	RNU1WCJ-0.47	1	453634794T	<B MMA, MMB, MMP, MMQ, MMR>
R4163	METAL R	RNU1WCJ-3.3	1	453630334T	<B MDC, MDD, MDF, B MJJ>
R4163	METAL R	RNU1WCJ-0.47	1	453634794T	<B MMA, MMB, MMP, MMQ, MMR>
R4166	C-CARBON R	RN72K1J-220JE	1	435032204R1	
R4167	C-CARBON R	RN72K1J-220JE	1	435032204R1	
R4168	CARBON R	R16J-22	1	417342204T	<B MJJ>
R4170	METAL R	RNU1WCJ-3.3	1	453630334T	
R4171	METAL R	RNU1WCJ-8.2	1	453630824T	
R4174	METAL O R	RS1WBJ-22	1	443622204T	
R4175	METAL O R	RS1WBJ-22	1	443622204T	
R4176	METAL O R	RS1WBJ-22	1	443622204T	
R4177	METAL O R	RS1WBJ-22	1	443622204T	
R4180	C-CARBON R	RN72K1J-224JE	1	435032244R1	<B MDC, MDD, MDF, B MMA, MMB, MMP, MMQ, MMR>
R4181	C-CARBON R	RN72K1J-224JE	1	435032244R1	
R4182	C-CARBON R	RN72K1J-224JE	1	435032244R1	
R4183	CARBON R	R16J-1K	1	417341024T	
R4184	CARBON R	R16J-1K	1	417341024T	
R4185	C-CARBON R	RN72K1J-224JE	1	435032244R1	
R4189	C-CARBON R	RN72K1J-224JE	1	435032244R1	
R4190	C-CARBON R	RN72K1J-224JE	1	435032244R1	
R4192	C-CARBON R	RN72K1J-224JE	1	435032244R1	
R4193	C-CARBON R	RN72K1J-224JE	1	435032244R1	
R4194	C-CARBON R	RN72K1J-224JE	1	435032244R1	
R4195	C-CARBON R	RN72K1J-224JE	1	435032244R1	
R4196	C-CARBON R	RN72K1J-224JE	1	435032244R1	
R4201	C-CARBON R	RN72K1J-000JE	1	435030004R1	<B MJJ>
R4202	C-CARBON R	RN72K1J-000JE	1	435030004R1	<B MJJ>
R4210	C-CARBON R	RN72K1J-000JE	1	435030004R1	<B MJJ>

R4211	C-CARBON R	RN72K1J-000JE	1	435030004R1	<B MDC, MDD, MDF, B MMA, MMB, MMP, MMQ, MMR>
R4220	C-CARBON R	RN72K1J-000JE	1	435030004R1	
R4221	C-CARBON R	RN72K1J-000JE	1	435030004R1	
R4222	C-CARBON R	RN72K1J-000JE	1	435030004R1	
R4223	C-CARBON R	RN72K1J-000JE	1	435030004R1	
R4225	C-CARBON R	RN72K1J-000JE	1	435030004R1	<B MDC, MDD, MDF, B MMA, MMB, MMP, MMQ, MMR, B
R4226	C-CARBON R	RN72K1J-000JE	1	435030004R1	
R4227	C-CARBON R	RN72K1J-000JE	1	435030004R1	
R4228	C-CARBON R	RN72K1J-000JE	1	435030004R1	
R4229	C-CARBON R	RN72K1J-000JE	1	435030004R1	
R4230	C-CARBON R	RN72K1J-000JE	1	435030004R1	
R4231	C-CARBON R	RN72K1J-000JE	1	435030004R1	
R4232	C-CARBON R	RN72K1J-000JE	1	435030004R1	
R4233	C-CARBON R	RN72K1J-000JE	1	435030004R1	
R4301	C-CARBON R	RN72K1J-000JE	1	435030004R1	<B MDC, MDD, MDF, B MMA, MMB, MMP, MMQ, MMR, B
R4302	C-CARBON R	RN72K1J-000JE	1	435030004R1	<B MDC, MDD, MDF, B MMA, MMB, MMP, MMQ, MMR, B
R4303	C-CARBON R	RN72K1J-000JE	1	435030004R1	<B MDC, MDD, MDF, B MMA, MMB, MMP, MMQ, MMR, B
R4304	C-CARBON R	RN72K1J-101JE	1	435031014R1	
R4305	C-CARBON R	RN72K1J-101JE	1	435031014R1	
R4306	C-CARBON R	RN72K1J-222JE	1	435032224R1	<B MDC, MDD, MDF, B MMA, MMB, MMP, MMQ, MMR, B
R4307	C-CARBON R	RN72K1J-222JE	1	435032224R1	<B MDC, MDD, MDF, B MMA, MMB, MMP, MMQ, MMR, B
R4308	C-CARBON R	RN72K1J-222JE	1	435032224R1	
R4309	C-CARBON R	RN72K1J-222JE	1	435032224R1	
R4322	C-CARBON R	RN72K1J-222JE	1	435032224R1	<B MDC, MDD, MDF, B MMA, MMB, MMP, MMQ, MMR, B
R4323	C-CARBON R	RN72K1J-222JE	1	435032224R1	<B MDC, MDD, MDF, B MMA, MMB, MMP, MMQ, MMR, B
R4324	C-CARBON R	RN72K1J-101JE	1	435031014R1	
R4325	C-CARBON R	RN72K1J-101JE	1	435031014R1	
R4329	C-CARBON R	RN72K1J-222JE	1	435032224R1	
R4330	C-CARBON R	RN72K1J-222JE	1	435032224R1	
R4331	C-CARBON R	RN72K1J-224JE	1	435032244R1	
R4332	C-CARBON R	RN72K1J-224JE	1	435032244R1	
R4333	C-CARBON R	RN72K1J-000JE	1	435030004R1	<B MDC, MDD, MDF, B MMA, MMB, MMP, MMQ, MMR, B
R4334	C-CARBON R	RN72K1J-000JE	1	435030004R1	<B MDC, MDD, MDF, B MMA, MMB, MMP, MMQ, MMR, B
R4335	C-CARBON R	RN72K1J-000JE	1	435030004R1	
R4336	C-CARBON R	RN72K1J-000JE	1	435030004R1	
R4400	C-CARBON R	RN72K1J-102JE	1	435031024R1	
R4401	C-CARBON R	RN72K1J-102JE	1	435031024R1	
R4402	C-CARBON R	RN72K1J-104JE	1	435031044R1	
R4403	C-CARBON R	RN72K1J-104JE	1	435031044R1	
R4404	C-CARBON R	RN72K1J-681JE	1	435036814R1	
R4405	METAL O R	RS1WBJ-100	1	443621014T	
R4406	C-CARBON R	RN72K1J-681JE	1	435036814R1	
R4407	C-CARBON R	RN72K1J-333JE	1	435033334R1	
R4420	C-CARBON R	RN72K1J-000JE	1	435030004R1	
R4421	C-CARBON R	RN72K1J-000JE	1	435030004R1	
R4501	C-CARBON R	RN72K1J-224JE	1	435032244R1	

R4502	C-CARBON R	RN72K1J-224JE	1	435032244R1
R4503	C-CARBON R	RN72K1J-562JE	1	435035624R1
R4504	C-CARBON R	RN72K1J-683JE	1	435036834R1
R4505	C-CARBON R	RN72K1J-103JE	1	435031034R1
R4506	C-CARBON R	RN72K1J-103JE	1	435031034R1
R4507	C-CARBON R	RN72K1J-103JE	1	435031034R1
R4508	C-CARBON R	RN72K1J-103JE	1	435031034R1
R4510	C-CARBON R	RN72K1J-224JE	1	435032244R1
R4511	C-CARBON R	RN72K1J-682JE	1	435036824R1
R4512	C-CARBON R	RN72K1J-272JE	1	435032724R1
R4513	C-CARBON R	RN72K1J-682JE	1	435036824R1
R4514	C-CARBON R	RN72K1J-224JE	1	435032244R1
R4515	C-CARBON R	RN72K1J-220JE	1	435032204R1
R4516	C-CARBON R	RN72K1J-220JE	1	435032204R1
R4517	C-CARBON R	RN72K1J-000JE	1	435030004R1
R4518	C-CARBON R	RN72K1J-000JE	1	435030004R1
R4519	C-CARBON R	RN72K1J-000JE	1	435030004R1
R6000	C-CARBON R	RN72K1J-562JE	1	435035624R1
R6001	C-CARBON R	RN72K1J-562JE	1	435035624R1
R6002	C-CARBON R	RN72K1J-562JE	1	435035624R1
R6003	C-CARBON R	RN72K1J-562JE	1	435035624R1
R6004	C-CARBON R	RN72K1J-562JE	1	435035624R1
R6005	C-CARBON R	RN72K1J-562JE	1	435035624R1
R6006	C-CARBON R	RN72K1J-562JE	1	435035624R1
R6010	C-CARBON R	RN72K1J-472JE	1	435034724R1
R6011	C-CARBON R	RN72K1J-472JE	1	435034724R1
R6012	C-CARBON R	RN72K1J-472JE	1	435034724R1
R6013	C-CARBON R	RN72K1J-472JE	1	435034724R1
R6014	C-CARBON R	RN72K1J-472JE	1	435034724R1
R6015	C-CARBON R	RN72K1J-472JE	1	435034724R1
R6016	C-CARBON R	RN72K1J-472JE	1	435034724R1
R6020	C-CARBON R	RN72K1J-152JE	1	435031524R1
R6021	C-CARBON R	RN72K1J-152JE	1	435031524R1
R6022	C-CARBON R	RN72K1J-152JE	1	435031524R1
R6023	C-CARBON R	RN72K1J-152JE	1	435031524R1
R6024	C-CARBON R	RN72K1J-152JE	1	435031524R1
R6025	C-CARBON R	RN72K1J-152JE	1	435031524R1
R6026	C-CARBON R	RN72K1J-152JE	1	435031524R1
R6030	C-CARBON R	RN72K1J-000JE	1	435030004R1
R6031	C-CARBON R	RN72K1J-000JE	1	435030004R1
R6032	C-CARBON R	RN72K1J-000JE	1	435030004R1
R6033	C-CARBON R	RN72K1J-000JE	1	435030004R1
R6034	C-CARBON R	RN72K1J-000JE	1	435030004R1
R6035	C-CARBON R	RN72K1J-000JE	1	435030004R1
R6036	C-CARBON R	RN72K1J-000JE	1	435030004R1
R6100	METAL PR	MPR5W+5W 0R22	1	4000233



R6100 or	METAL P R	RF-5EGPJR22	( 1)	4000244
R6101	METAL PR	MPR5W+5W 0R22	1	4000233
R6101 or	METAL P R	RF-5EGPJR22	( 1)	4000244
R6102	METAL PR	MPR5W+5W 0R22	1	4000233
R6102 or	METAL P R	RF-5EGPJR22	( 1)	4000244
R6103	METAL PR	MPR5W+5W 0R22	1	4000233
R6103 or	METAL P R	RF-5EGPJR22	( 1)	4000244
R6104	METAL PR	MPR5W+5W 0R22	1	4000233
R6104 or	METAL P R	RF-5EGPJR22	( 1)	4000244
R6105	METAL PR	MPR5W+5W 0R22	1	4000233
R6105 or	METAL P R	RF-5EGPJR22	( 1)	4000244
R6106	METAL PR	MPR5W+5W 0R22	1	4000233
R6106 or	METAL P R	RF-5EGPJR22	( 1)	4000244
R6140	C-CARBON R	RN72K1J-563JE	1	435035634R1
R6141	C-CARBON R	RN72K1J-563JE	1	435035634R1
R6142	C-CARBON R	RN72K1J-563JE	1	435035634R1
R6143	C-CARBON R	RN72K1J-563JE	1	435035634R1
R6144	C-CARBON R	RN72K1J-563JE	1	435035634R1
R6145	C-CARBON R	RN72K1J-563JE	1	435035634R1
R6146	C-CARBON R	RN72K1J-563JE	1	435035634R1
R6150	C-CARBON R	RN72K1J-103JE	1	435031034R1
R6151	C-CARBON R	RN72K1J-103JE	1	435031034R1
R6152	C-CARBON R	RN72K1J-103JE	1	435031034R1
R6153	C-CARBON R	RN72K1J-103JE	1	435031034R1
R6154	C-CARBON R	RN72K1J-103JE	1	435031034R1
R6155	C-CARBON R	RN72K1J-103JE	1	435031034R1
R6156	C-CARBON R	RN72K1J-103JE	1	435031034R1
R6160	CARBON R	R16J-33K	1	417343334T
R6161	CARBON R	R16J-33K	1	417343334T
R6162	CARBON R	R16J-33K	1	417343334T
R6163	CARBON R	R16J-33K	1	417343334T
R6164	CARBON R	R16J-33K	1	417343334T
R6165	CARBON R	R16J-33K	1	417343334T
R6166	CARBON R	R16J-33K	1	417343334T
R6170	CARBON R	R16J-47K	1	417344734T
R6171	CARBON R	R16J-47K	1	417344734T
R6172	CARBON R	R16J-47K	1	417344734T
R6173	CARBON R	R16J-47K	1	417344734T
R6174	CARBON R	R16J-47K	1	417344734T
R6175	CARBON R	R16J-47K	1	417344734T
R6176	CARBON R	R16J-47K	1	417344734T
R6180	CARBON R	R16J-47K	1	417344734T
R6181	CARBON R	R16J-47K	1	417344734T
R6182	CARBON R	R16J-47K	1	417344734T
R6183	CARBON R	R16J-47K	1	417344734T
R6184	CARBON R	R16J-47K	1	417344734T

R6185	CARBON R	R16J-47K	1	417344734T	
R6186	CARBON R	R16J-47K	1	417344734T	
R6301	C-CARBON R	RN72K1J-000JE	1	435030004R1	
R6305	C-CARBON R	RN72K1J-000JE	1	435030004R1	
R6401	METAL R	RNU1/2WCJ-0.1	1	453531094T	
R6402	C-CARBON R	RN72K1J-102JE	1	435031024R1	
R6403	C-CARBON R	RN72K1J-473JE	1	435034734R1	
R6406	METAL R	RNU1WCJ-8.2	1	453630824T	
R6451	C-CARBON R	RN72K1J-333JE	1	435033334R1	
R6452	C-CARBON R	RN72K1J-103JE	1	435031034R1	
R6453	C-CARBON R	RN72K1J-223JE	1	435032234R1	
R6454	C-CARBON R	RN72K1J-473JE	1	435034734R1	
R6455	C-CARBON R	RN72K1J-103JE	1	435031034R1	
R6456	C-CARBON R	RN72K1J-223JE	1	435032234R1	
R6457	C-CARBON R	RN72K1J-223JE	1	435032234R1	
R6458	C-CARBON R	RN72K1J-472JE	1	435034724R1	
R6459	C-CARBON R	RN72K1J-562JE	1	435035624R1	
R6460	C-CARBON R	RN72K1J-473JE	1	435034734R1	
R950	CARBON R	R16J-1.5	1	417340154T	<B MDC, MDD, MDF, B MJJ>
R951	METAL O R	RS1WBJ-33	1	443623304T	
R952	METAL O R	RS1WBJ-33	1	443623304T	<B MDC, MDD, MDF, B MJJ>
R952	METAL O R	RS1WBJ-47	1	443624704T	<B MMA, MMB, MMP, MMQ, MMR>
R960	METAL R	RNU1/2WCJ-8.2	1	453530824T	
R962	C-CARBON R	RN72K1J-472JE	1	435034724R1	
R963	C-CARBON R	RN72K1J-392JE	1	435033924R1	
R964	C-CARBON R	RN72K1J-333JE	1	435033334R1	
R965	CARBON R	R16J-4.7	1	417340474T	
<b>[SW TRM]</b>					
F6401A	FUSE HOLDER	SN5051	1	250113	!
F6401B	FUSE HOLDER	SN5051	1	250113	!
F6402A	FUSE HOLDER	SN5051	1	250113	!
F6402B	FUSE HOLDER	SN5051	1	250113	!
JL501A	WIRE HOL	NSCT-3P874	1	25051087	
JL600A	WIRE HOL	NSCT-7P898	1	25051111	
JL603A	WIRE HOL	NSCT-9P900	1	25051113	
JL604A	WIRE HOL	NSCT-5P896	1	25051109	<B MDC, MDD, MDF, B MMA, MMB, MMP, MMQ, MMR>
JL620A	WIRE HOL	NSCT-7P878	1	25051091	
JL951A	WIRE HOL	NSCT-5P896	1	25051109	
JL951B	WIRE HOL	NSCT-5P896	1	25051109	
JL952A	WIRE HOL	NSCT-3P894	1	25051107	
JL953B	WIRE TRAP	NPLG-5P588	1	25055626	
JL954A	WIRE HOL	NSCT-5P896	1	25051109	
JL954B	WIRE HOL	NSCT-5P896	1	25051109	
P101B	SOCKET	NSCT-9P2102	1	25052205	
P4002	PIN JACK	NPJ-4PDWR690	1	25045922	<B MDC, MDD, MDF, B MMA, MMB, MMP, MMQ, MMR, B
P4003	PIN JACK	NPJ-4PDWRR624	1	25045845	<B MDC, MDD, MDF, B MMA, MMB, MMP, MMQ, MMR, B

P4004	PIN JACK	NPJ-4PDWRR624	1	25045845	<B MDC, MDD, MDF, B MMA, MMB, MMP, MMQ, MMR, B
P4007	PIN JACK	NPJ-4PDGPRW661	1	25045890	<B MJJ>
P4007 or	PIN JACK	NPJ-4PDGPRW502	(1)	25045707	<B MJJ>
P4008	PIN JACK	NPJ-4PELNT504	1	25045709	<B MJJ>
P4008 or	PIN JACK	NPJ-4PELNT662	(1)	25045891	<B MJJ>
P4009	PIN JACK	NPJ-4PDWRR624	1	25045845	<B MDC, MDD, MDF, B MMA, MMB, MMP, MMQ, MMR, B
P4010	PIN JACK	NPJ-1PDP555	1	25045773	<B MJJ>
P4010	PIN JACK	NPJ-2PDP686	1	25045918	N <B MDC, MDD, MDF, B MMA, MMB, MMP, MMQ, MMR>
P5502B	PLUG	NPLG-20P0975	1	25056025	
P5503B	PLUG	NPLG-7P0962	1	25056012	
P5504B	PLUG	NPLG-13P0968	1	25056018	
P5505	CRIMP AS	CRIMP AS	1	2069955200UL	
P5508	TRM-423(SCREW)	NEJITANSI ST3	1	25060495	
P5510B	TRM	NTM-1P232(M1700)	1	25060301	
P6000B	PLUG	NPLG-9P0964	1	25056014	
P6001B	PLUG	NPLG-9P0964	1	25056014	
P6002B	PLUG	NPLG-9P0964	1	25056014	
P6003B	PLUG	NPLG-9P0964	1	25056014	
P6004B	PLUG	NPLG-9P0964	1	25056014	
P6005B	PLUG	NPLG-9P0964	1	25056014	
P6006B	PLUG	NPLG-9P0964	1	25056014	
P6007B	TRM	NTM-1P232(M1700)	1	25060301	
P6008B	TRM	NTM-1P232(M1700)	1	25060301	
P6009B	TRM	NTM-1P232(M1700)	1	25060301	
P6010B	TRM	NTM-1P232(M1700)	1	25060301	
P6011A	RETAINER	(BUS-D)TX-SR606	1	27142100	
P6080	PLUG	NPLG-2P29	1	25055038	
P6081	PLUG	NPLG-2P29	1	25055038	
P6082	PLUG	NPLG-2P29	1	25055038	
P6083	PLUG	NPLG-2P29	1	25055038	
P6084	PLUG	NPLG-2P29	1	25055038	
P6085	PLUG	NPLG-2P29	1	25055038	
P6086	PLUG	NPLG-2P29	1	25055038	
P6100	HOLDER	HOLDER(CLAMP)	1	27190540-1	
P6101	HOLDER	(CRAMP) UA-0 V0	1	27190608-1	
P6102	HOLDER	HOLDER(CLAMP)	1	27190540-1	
P6103	HOLDER	HOLDER(CLAMP)	1	27190540-1	
P6104	HOLDER	HOLDER(CLAMP)	1	27190540-1	
P6200A	SOCKET AS	NSAS-26P1775	1	2009991135UL	
P6205	WS CLAMP	CB-71683(L=50)	1	260261	
P6206	WS CLAMP	CB-71683(L=50)	1	260261	
P6207	WS CLAMP	CB-71683(L=50)	1	260261	
P6351	TRM	NTM-4PDM1422	1	25060494	<B MDC, MDD, MDF, B MMA, MMB, MMP, MMQ, MMR>
P6400	CRIMP AS	UL1015#18SIN-SVH 300 BLK	1	20799177UL	
P6401	CRIMP AS	CRIMP AS	1	2069925119UL	
P6402	CRIMP AS	CRIMP AS	1	2069925188UL	

P6403	CRIMP AS	UL1015#18SIN-SVH 200 YEL	1	20799172UL	
P6404	CRIMP AS	UL1015#18SIN-SVH 200 GRN	1	20799173UL	
RLA20	RELAY	NRL-2P2A-DC24-174	1	25065659	<B MJJ>
RL641	RELAY	NRL-1P10A-DC12-196	1	25065707	
RL641 or	RELAY	NRL-1P10A-DC12-197	(1)	25065708	
RL641 or	RELAY	NRL-1P10A-DC12-198	(1)	25065709	
RL642	RELAY	NRL-1P10A-DC12-196	1	25065707	
RL642 or	RELAY	NRL-1P10A-DC12-197	(1)	25065708	
RL642 or	RELAY	NRL-1P10A-DC12-198	(1)	25065709	

<b>U002</b>	U0020 x 2 pcs.	BACLA-1085-1A *
<b>U0020</b>	AMPLIFIER PC BOARD ASS'Y	BACLA-1085-1A

CIRCUIT	PART NAME	DESCRIPTION	Q'TY	PART NO. (SN)	REMARKS
<b>[SEMI CONDUCTOR]</b>					
D5000	ZENER D	HZS6A3	1	224860560T	
D5001	ZENER D	HZS6A3	1	224860560T	
D5002	ZENER D	HZS6A3	1	224860560T	
D5003	ZENER D	HZS6A3	1	224860560T	
D5004	ZENER D	HZS6A3	1	224860560T	
D5005	ZENER D	HZS6A3	1	224860560T	
D5006	ZENER D	HZS6A3	1	224860560T	
Q5000	TR	KTC3201-BL	1	2217946T	
Q5001	TR	KTC3201-BL	1	2217946T	
Q5002	TR	KTC3201-BL	1	2217946T	
Q5003	TR	KTC3201-BL	1	2217946T	
Q5004	TR	KTC3201-BL	1	2217946T	
Q5005	TR	KTC3201-BL	1	2217946T	
Q5006	TR	KTC3201-BL	1	2217946T	
Q5010	TR	KTC3201-BL	1	2217946T	
Q5011	TR	KTC3201-BL	1	2217946T	
Q5012	TR	KTC3201-BL	1	2217946T	
Q5013	TR	KTC3201-BL	1	2217946T	
Q5014	TR	KTC3201-BL	1	2217946T	
Q5015	TR	KTC3201-BL	1	2217946T	
Q5016	TR	KTC3201-BL	1	2217946T	
Q5030	TR	2SA949-Y(TPE6_F)	1	2211354T	
Q5030 or	TR	2SA949-O(TPE6_F)	(1)	2211353T	
Q5030A	RETAINER	(CLA2)	1	27142140A	
Q5031	TR	2SA949-Y(TPE6_F)	1	2211354T	
Q5031 or	TR	2SA949-O(TPE6_F)	(1)	2211353T	
Q5031A	RETAINER	(CLA2)	1	27142140A	
Q5032	TR	2SA949-Y(TPE6_F)	1	2211354T	
Q5032 or	TR	2SA949-O(TPE6_F)	(1)	2211353T	
Q5032A	RETAINER	(CLA2)	1	27142140A	

Q5033	TR	2SA949-Y(TPE6_F)	1	2211354T
Q5033 or	TR	2SA949-O(TPE6_F)	(1)	2211353T
Q5033A	RETAINER	(CLA2)	1	27142140A
Q5034	TR	2SA949-Y(TPE6_F)	1	2211354T
Q5034 or	TR	2SA949-O(TPE6_F)	(1)	2211353T
Q5034A	RETAINER	(CLA2)	1	27142140A
Q5035	TR	2SA949-Y(TPE6_F)	1	2211354T
Q5035 or	TR	2SA949-O(TPE6_F)	(1)	2211353T
Q5035A	RETAINER	(CLA2)	1	27142140A
Q5036	TR	2SA949-Y(TPE6_F)	1	2211354T
Q5036 or	TR	2SA949-O(TPE6_F)	(1)	2211353T
Q5036A	RETAINER	(CLA2)	1	27142140A
Q5040	TR	2SA949-Y(TPE6_F)	1	2211354T
Q5040 or	TR	2SA949-O(TPE6_F)	(1)	2211353T
Q5041	TR	2SA949-Y(TPE6_F)	1	2211354T
Q5041 or	TR	2SA949-O(TPE6_F)	(1)	2211353T
Q5042	TR	2SA949-Y(TPE6_F)	1	2211354T
Q5042 or	TR	2SA949-O(TPE6_F)	(1)	2211353T
Q5043	TR	2SA949-Y(TPE6_F)	1	2211354T
Q5043 or	TR	2SA949-O(TPE6_F)	(1)	2211353T
Q5044	TR	2SA949-Y(TPE6_F)	1	2211354T
Q5044 or	TR	2SA949-O(TPE6_F)	(1)	2211353T
Q5045	TR	2SA949-Y(TPE6_F)	1	2211354T
Q5045 or	TR	2SA949-O(TPE6_F)	(1)	2211353T
Q5046	TR	2SA949-Y(TPE6_F)	1	2211354T
Q5046 or	TR	2SA949-O(TPE6_F)	(1)	2211353T
Q5050	TR	2N5551C	1	2217920T
Q5051	TR	2N5551C	1	2217920T
Q5052	TR	2N5551C	1	2217920T
Q5053	TR	2N5551C	1	2217920T
Q5054	TR	2N5551C	1	2217920T
Q5055	TR	2N5551C	1	2217920T
Q5056	TR	2N5551C	1	2217920T
Q5060	TR	2SA949-Y(TPE6_F)	1	2211354T
Q5060 or	TR	2SA949-O(TPE6_F)	(1)	2211353T
Q5061	TR	2SA949-Y(TPE6_F)	1	2211354T
Q5061 or	TR	2SA949-O(TPE6_F)	(1)	2211353T
Q5062	TR	2SA949-Y(TPE6_F)	1	2211354T
Q5062 or	TR	2SA949-O(TPE6_F)	(1)	2211353T
Q5063	TR	2SA949-Y(TPE6_F)	1	2211354T
Q5063 or	TR	2SA949-O(TPE6_F)	(1)	2211353T
Q5064	TR	2SA949-Y(TPE6_F)	1	2211354T
Q5064 or	TR	2SA949-O(TPE6_F)	(1)	2211353T
Q5065	TR	2SA949-Y(TPE6_F)	1	2211354T
Q5065 or	TR	2SA949-O(TPE6_F)	(1)	2211353T
Q5066	TR	2SA949-Y(TPE6_F)	1	2211354T



Q5066 or TR		2SA949-O(TPE6_F)	(1)	2211353T
Q5070 TR		2SC2229-Y(TPE6_F)	1	2211634T
Q5070 or TR		2SC2229-O(TPE6_F)	(1)	2211633T
Q5071 TR		2SC2229-Y(TPE6_F)	1	2211634T
Q5071 or TR		2SC2229-O(TPE6_F)	(1)	2211633T
Q5072 TR		2SC2229-Y(TPE6_F)	1	2211634T
Q5072 or TR		2SC2229-O(TPE6_F)	(1)	2211633T
Q5073 TR		2SC2229-Y(TPE6_F)	1	2211634T
Q5073 or TR		2SC2229-O(TPE6_F)	(1)	2211633T
Q5074 TR		2SC2229-Y(TPE6_F)	1	2211634T
Q5074 or TR		2SC2229-O(TPE6_F)	(1)	2211633T
Q5075 TR		2SC2229-Y(TPE6_F)	1	2211634T
Q5075 or TR		2SC2229-O(TPE6_F)	(1)	2211633T
Q5076 TR		2SC2229-Y(TPE6_F)	1	2211634T
Q5076 or TR		2SC2229-O(TPE6_F)	(1)	2211633T
Q5250 TR		2SA1930(ONK_Q)	1	2203000
Q5251 TR		2SA1930(ONK_Q)	1	2203000
Q5252 TR		2SA1930(ONK_Q)	1	2203000
Q5253 TR		2SA1930(ONK_Q)	1	2203000
Q5254 TR		2SA1930(ONK_Q)	1	2203000
Q5255 TR		2SA1930(ONK_Q)	1	2203000
Q5256 TR		2SA1930(ONK_Q)	1	2203000
Q5260 TR		2SC5171(ONK_Q)	1	2203010
Q5261 TR		2SC5171(ONK_Q)	1	2203010
Q5262 TR		2SC5171(ONK_Q)	1	2203010
Q5263 TR		2SC5171(ONK_Q)	1	2203010
Q5264 TR		2SC5171(ONK_Q)	1	2203010
Q5265 TR		2SC5171(ONK_Q)	1	2203010
Q5266 TR		2SC5171(ONK_Q)	1	2203010
Q5410 TR		2SC1740S-S	1	2213285T
Q5410 or TR		KTC3198-GR	(1)	2215985T
Q5411 TR		2SC1740S-S	1	2213285T
Q5411 or TR		KTC3198-GR	(1)	2215985T
Q5412 TR		2SC1740S-S	1	2213285T
Q5412 or TR		KTC3198-GR	(1)	2215985T
Q5413 TR		2SC1740S-S	1	2213285T
Q5413 or TR		KTC3198-GR	(1)	2215985T
Q5414 TR		2SC1740S-S	1	2213285T
Q5414 or TR		KTC3198-GR	(1)	2215985T
Q5415 TR		2SC1740S-S	1	2213285T
Q5415 or TR		KTC3198-GR	(1)	2215985T
Q5416 TR		2SC1740S-S	1	2213285T
Q5416 or TR		KTC3198-GR	(1)	2215985T
Q5430 TR		2SC2229-Y(TPE6_F)	1	2211634T
Q5430 or TR		2SC2229-O(TPE6_F)	(1)	2211633T
Q5431 TR		2SC2229-Y(TPE6_F)	1	2211634T

Q5431 or TR		2SC2229-O(TPE6_F)	(1)	2211633T
Q5432 TR		2SC2229-Y(TPE6_F)	1	2211634T
Q5432 or TR		2SC2229-O(TPE6_F)	(1)	2211633T
Q5433 TR		2SC2229-Y(TPE6_F)	1	2211634T
Q5433 or TR		2SC2229-O(TPE6_F)	(1)	2211633T
Q5434 TR		2SC2229-Y(TPE6_F)	1	2211634T
Q5434 or TR		2SC2229-O(TPE6_F)	(1)	2211633T
Q5435 TR		2SC2229-Y(TPE6_F)	1	2211634T
Q5435 or TR		2SC2229-O(TPE6_F)	(1)	2211633T
Q5436 TR		2SC2229-Y(TPE6_F)	1	2211634T
Q5436 or TR		2SC2229-O(TPE6_F)	(1)	2211633T
Q5440 TR		2SA949-Y(TPE6_F)	1	2211354T
Q5440 or TR		2SA949-O(TPE6_F)	(1)	2211353T
Q5441 TR		2SA949-Y(TPE6_F)	1	2211354T
Q5441 or TR		2SA949-O(TPE6_F)	(1)	2211353T
Q5442 TR		2SA949-Y(TPE6_F)	1	2211354T
Q5442 or TR		2SA949-O(TPE6_F)	(1)	2211353T
Q5443 TR		2SA949-Y(TPE6_F)	1	2211354T
Q5443 or TR		2SA949-O(TPE6_F)	(1)	2211353T
Q5444 TR		2SA949-Y(TPE6_F)	1	2211354T
Q5444 or TR		2SA949-O(TPE6_F)	(1)	2211353T
Q5445 TR		2SA949-Y(TPE6_F)	1	2211354T
Q5445 or TR		2SA949-O(TPE6_F)	(1)	2211353T
Q5446 TR		2SA949-Y(TPE6_F)	1	2211354T
Q5446 or TR		2SA949-O(TPE6_F)	(1)	2211353T
<b>[TRANS COIL]</b>				
L5400 FR CORE		*	1	5597-45502
L5401 FR CORE		*	1	5597-45502
L5402 FR CORE		*	1	5597-45502
L5403 FR CORE		*	1	5597-45502
L5404 FR CORE		*	1	5597-45502
L5405 FR CORE		*	1	5597-45502
L5406 FR CORE		*	1	5597-45502
L5410 FR CORE		*	1	5597-45502
L5411 FR CORE		*	1	5597-45502
L5412 FR CORE		*	1	5597-45502
L5413 FR CORE		*	1	5597-45502
L5414 FR CORE		*	1	5597-45502
L5415 FR CORE		*	1	5597-45502
L5416 FR CORE		*	1	5597-45502
<b>[CAPACITOR]</b>				
C5000 UPZ C		2AUPZTF101JE	1	376331014T
C5001 UPZ C		2AUPZTF101JE	1	376331014T
C5002 UPZ C		2AUPZTF101JE	1	376331014T
C5003 UPZ C		2AUPZTF101JE	1	376331014T
C5004 UPZ C		2AUPZTF101JE	1	376331014T

C5005	UPZ C	2AUPZTF101JE	1	376331014T
C5006	UPZ C	2AUPZTF101JE	1	376331014T
C5010	UTSP C	CE04W50V 47M(UTSP)	1	397584707T
C5010 or	UTSP C	CE04W50V 47M(UTSP)	(1)	397584707AT
C5011	UTSP C	CE04W50V 47M(UTSP)	1	397584707T
C5011 or	UTSP C	CE04W50V 47M(UTSP)	(1)	397584707AT
C5012	UTSP C	CE04W50V 47M(UTSP)	1	397584707T
C5012 or	UTSP C	CE04W50V 47M(UTSP)	(1)	397584707AT
C5013	UTSP C	CE04W50V 47M(UTSP)	1	397584707T
C5013 or	UTSP C	CE04W50V 47M(UTSP)	(1)	397584707AT
C5014	UTSP C	CE04W50V 47M(UTSP)	1	397584707T
C5014 or	UTSP C	CE04W50V 47M(UTSP)	(1)	397584707AT
C5015	UTSP C	CE04W50V 47M(UTSP)	1	397584707T
C5015 or	UTSP C	CE04W50V 47M(UTSP)	(1)	397584707AT
C5016	UTSP C	CE04W50V 47M(UTSP)	1	397584707T
C5016 or	UTSP C	CE04W50V 47M(UTSP)	(1)	397584707AT
C5020	UTSP C	CE04W50V-10M(UTSP)	1	397581007T
C5020 or	UTSP C	CE04W50V-10M(UTSP)	(1)	397581007AT
C5021	UTSP C	CE04W50V-10M(UTSP)	1	397581007T
C5021 or	UTSP C	CE04W50V-10M(UTSP)	(1)	397581007AT
C5022	UTSP C	CE04W50V-10M(UTSP)	1	397581007T
C5022 or	UTSP C	CE04W50V-10M(UTSP)	(1)	397581007AT
C5023	UTSP C	CE04W50V-10M(UTSP)	1	397581007T
C5023 or	UTSP C	CE04W50V-10M(UTSP)	(1)	397581007AT
C5024	UTSP C	CE04W50V-10M(UTSP)	1	397581007T
C5024 or	UTSP C	CE04W50V-10M(UTSP)	(1)	397581007AT
C5025	UTSP C	CE04W50V-10M(UTSP)	1	397581007T
C5025 or	UTSP C	CE04W50V-10M(UTSP)	(1)	397581007AT
C5026	UTSP C	CE04W50V-10M(UTSP)	1	397581007T
C5026 or	UTSP C	CE04W50V-10M(UTSP)	(1)	397581007AT
C5040	UTSP C	CE04W10V-470M(UTSP)	1	397534717T
C5041	UTSP C	CE04W10V-470M(UTSP)	1	397534717T
C5042	UTSP C	CE04W10V-470M(UTSP)	1	397534717T
C5043	UTSP C	CE04W10V-470M(UTSP)	1	397534717T
C5044	UTSP C	CE04W10V-470M(UTSP)	1	397534717T
C5045	UTSP C	CE04W10V-470M(UTSP)	1	397534717T
C5046	UTSP C	CE04W10V-470M(UTSP)	1	397534717T
C5050	UTSP C	CE04W50V 47M(UTSP)	1	397584707T
C5050 or	UTSP C	CE04W50V 47M(UTSP)	(1)	397584707AT
C5051	UTSP C	CE04W50V 47M(UTSP)	1	397584707T
C5051 or	UTSP C	CE04W50V 47M(UTSP)	(1)	397584707AT
C5052	UTSP C	CE04W50V 47M(UTSP)	1	397584707T
C5052 or	UTSP C	CE04W50V 47M(UTSP)	(1)	397584707AT
C5053	UTSP C	CE04W50V 47M(UTSP)	1	397584707T
C5053 or	UTSP C	CE04W50V 47M(UTSP)	(1)	397584707AT
C5054	UTSP C	CE04W50V 47M(UTSP)	1	397584707T

C5054 or	UTSP C	CE04W50V 47M(UTSP)	( 1)	397584707AT
C5055	UTSP C	CE04W50V 47M(UTSP)	1	397584707T
C5055 or	UTSP C	CE04W50V 47M(UTSP)	( 1)	397584707AT
C5056	UTSP C	CE04W50V 47M(UTSP)	1	397584707T
C5056 or	UTSP C	CE04W50V 47M(UTSP)	( 1)	397584707AT
C5080	CERA C	CC45SL50V-040C	1	345020401T
C5081	CERA C	CC45SL50V-040C	1	345020401T
C5082	CERA C	CC45SL50V-040C	1	345020401T
C5083	CERA C	CC45SL50V-040C	1	345020401T
C5084	CERA C	CC45SL50V-040C	1	345020401T
C5085	CERA C	CC45SL50V-040C	1	345020401T
C5086	CERA C	CC45SL50V-040C	1	345020401T
C5090	UPZ C	2AUPZTF101JE	1	376331014T
C5091	UPZ C	2AUPZTF101JE	1	376331014T
C5092	UPZ C	2AUPZTF101JE	1	376331014T
C5093	UPZ C	2AUPZTF101JE	1	376331014T
C5094	UPZ C	2AUPZTF101JE	1	376331014T
C5095	UPZ C	2AUPZTF101JE	1	376331014T
C5096	UPZ C	2AUPZTF101JE	1	376331014T
C5100	VR C	CE04W100V-22M(VR)	1	394692207T
C5101	VR C	CE04W100V-22M(VR)	1	394692207T
C5102	VR C	CE04W100V-22M(VR)	1	394692207T
C5103	VR C	CE04W100V-22M(VR)	1	394692207T
C5104	VR C	CE04W100V-22M(VR)	1	394692207T
C5105	VR C	CE04W100V-22M(VR)	1	394692207T
C5106	VR C	CE04W100V-22M(VR)	1	394692207T
C5110	VR C	CE04W100V-22M(VR)	1	394692207T
C5111	VR C	CE04W100V-22M(VR)	1	394692207T
C5112	VR C	CE04W100V-22M(VR)	1	394692207T
C5113	VR C	CE04W100V-22M(VR)	1	394692207T
C5114	VR C	CE04W100V-22M(VR)	1	394692207T
C5115	VR C	CE04W100V-22M(VR)	1	394692207T
C5116	VR C	CE04W100V-22M(VR)	1	394692207T
C5440	UTSP C	CE04W50V-22M(UTSP)	1	397582207T
C5440 or	UTSP C	CE04W50V-22M(UTSP)	( 1)	397582207AT
C5441	UTSP C	CE04W50V-22M(UTSP)	1	397582207T
C5441 or	UTSP C	CE04W50V-22M(UTSP)	( 1)	397582207AT
C5442	UTSP C	CE04W50V-22M(UTSP)	1	397582207T
C5442 or	UTSP C	CE04W50V-22M(UTSP)	( 1)	397582207AT
C5443	UTSP C	CE04W50V-22M(UTSP)	1	397582207T
C5443 or	UTSP C	CE04W50V-22M(UTSP)	( 1)	397582207AT
C5444	UTSP C	CE04W50V-22M(UTSP)	1	397582207T
C5444 or	UTSP C	CE04W50V-22M(UTSP)	( 1)	397582207AT
C5445	UTSP C	CE04W50V-22M(UTSP)	1	397582207T
C5445 or	UTSP C	CE04W50V-22M(UTSP)	( 1)	397582207AT
C5446	UTSP C	CE04W50V-22M(UTSP)	1	397582207T

C5446 or UTSP C		CE04W50V-22M(UTSP)	( 1 )	397582207AT
<b>[RESISTOR]</b>				
R5000	CARBON R	R16J-1.5K	1	417341524T
R5001	CARBON R	R16J-1.5K	1	417341524T
R5002	CARBON R	R16J-1.5K	1	417341524T
R5003	CARBON R	R16J-1.5K	1	417341524T
R5004	CARBON R	R16J-1.5K	1	417341524T
R5005	CARBON R	R16J-1.5K	1	417341524T
R5006	CARBON R	R16J-1.5K	1	417341524T
R5010	CARBON R	R16J-33K	1	417343334T
R5011	CARBON R	R16J-33K	1	417343334T
R5012	CARBON R	R16J-33K	1	417343334T
R5013	CARBON R	R16J-33K	1	417343334T
R5014	CARBON R	R16J-33K	1	417343334T
R5015	CARBON R	R16J-33K	1	417343334T
R5016	CARBON R	R16J-33K	1	417343334T
R5020	CARBON R	R16J-330	1	417343314T
R5021	CARBON R	R16J-330	1	417343314T
R5022	CARBON R	R16J-330	1	417343314T
R5023	CARBON R	R16J-330	1	417343314T
R5024	CARBON R	R16J-330	1	417343314T
R5025	CARBON R	R16J-330	1	417343314T
R5026	CARBON R	R16J-330	1	417343314T
R5030	CARBON R	R16J-33K	1	417343334T
R5031	CARBON R	R16J-33K	1	417343334T
R5032	CARBON R	R16J-33K	1	417343334T
R5033	CARBON R	R16J-33K	1	417343334T
R5034	CARBON R	R16J-33K	1	417343334T
R5035	CARBON R	R16J-33K	1	417343334T
R5036	CARBON R	R16J-33K	1	417343334T
R5040	CARBON R	R16J-1K	1	417341024T
R5041	CARBON R	R16J-1K	1	417341024T
R5042	CARBON R	R16J-1K	1	417341024T
R5043	CARBON R	R16J-1K	1	417341024T
R5044	CARBON R	R16J-1K	1	417341024T
R5045	CARBON R	R16J-1K	1	417341024T
R5046	CARBON R	R16J-1K	1	417341024T
R5050	CARBON R	R16J-5.6K	1	417345624T
R5051	CARBON R	R16J-5.6K	1	417345624T
R5052	CARBON R	R16J-5.6K	1	417345624T
R5053	CARBON R	R16J-5.6K	1	417345624T
R5054	CARBON R	R16J-5.6K	1	417345624T
R5055	CARBON R	R16J-5.6K	1	417345624T
R5056	CARBON R	R16J-5.6K	1	417345624T
R5060	CARBON R	R16J-2.7K	1	417342724T
R5061	CARBON R	R16J-2.7K	1	417342724T



R5062	CARBON R	R16J-2.7K	1	417342724T
R5063	CARBON R	R16J-2.7K	1	417342724T
R5064	CARBON R	R16J-2.7K	1	417342724T
R5065	CARBON R	R16J-2.7K	1	417342724T
R5066	CARBON R	R16J-2.7K	1	417342724T
R5080	NF CARBON R	R25J-1.0K	1	415471024T
R5081	NF CARBON R	R25J-1.0K	1	415471024T
R5082	NF CARBON R	R25J-1.0K	1	415471024T
R5083	NF CARBON R	R25J-1.0K	1	415471024T
R5084	NF CARBON R	R25J-1.0K	1	415471024T
R5085	NF CARBON R	R25J-1.0K	1	415471024T
R5086	NF CARBON R	R25J-1.0K	1	415471024T
R5090	CARBON R	R16J-100K	1	417341044T
R5091	CARBON R	R16J-100K	1	417341044T
R5092	CARBON R	R16J-100K	1	417341044T
R5093	CARBON R	R16J-100K	1	417341044T
R5094	CARBON R	R16J-100K	1	417341044T
R5095	CARBON R	R16J-100K	1	417341044T
R5096	CARBON R	R16J-100K	1	417341044T
R5100	CARBON R	R16J-100K	1	417341044T
R5101	CARBON R	R16J-100K	1	417341044T
R5102	CARBON R	R16J-100K	1	417341044T
R5103	CARBON R	R16J-100K	1	417341044T
R5104	CARBON R	R16J-100K	1	417341044T
R5105	CARBON R	R16J-100K	1	417341044T
R5106	CARBON R	R16J-100K	1	417341044T
R5110	CARBON R	R16J-2.2K	1	417342224T
R5111	CARBON R	R16J-2.2K	1	417342224T
R5112	CARBON R	R16J-2.2K	1	417342224T
R5113	CARBON R	R16J-2.2K	1	417342224T
R5114	CARBON R	R16J-2.2K	1	417342224T
R5115	CARBON R	R16J-2.2K	1	417342224T
R5116	CARBON R	R16J-2.2K	1	417342224T
R5120	CARBON R	R16J-2.2K	1	417342224T
R5121	CARBON R	R16J-2.2K	1	417342224T
R5122	CARBON R	R16J-2.2K	1	417342224T
R5123	CARBON R	R16J-2.2K	1	417342224T
R5124	CARBON R	R16J-2.2K	1	417342224T
R5125	CARBON R	R16J-2.2K	1	417342224T
R5126	CARBON R	R16J-2.2K	1	417342224T
R5130	CARBON R	R16J-18K	1	417341834T
R5131	CARBON R	R16J-18K	1	417341834T
R5132	CARBON R	R16J-18K	1	417341834T
R5133	CARBON R	R16J-18K	1	417341834T
R5134	CARBON R	R16J-18K	1	417341834T
R5135	CARBON R	R16J-18K	1	417341834T

R5136	CARBON R	R16J-18K	1	417341834T
R5140	NF CARBON R	R25J-820	1	415478214T
R5141	NF CARBON R	R25J-820	1	415478214T
R5142	NF CARBON R	R25J-820	1	415478214T
R5143	NF CARBON R	R25J-820	1	415478214T
R5144	NF CARBON R	R25J-820	1	415478214T
R5145	NF CARBON R	R25J-820	1	415478214T
R5146	NF CARBON R	R25J-820	1	415478214T
R5150	NF CARBON R	R25J-1.0K	1	415471024T
R5151	NF CARBON R	R25J-1.0K	1	415471024T
R5152	NF CARBON R	R25J-1.0K	1	415471024T
R5153	NF CARBON R	R25J-1.0K	1	415471024T
R5154	NF CARBON R	R25J-1.0K	1	415471024T
R5155	NF CARBON R	R25J-1.0K	1	415471024T
R5156	NF CARBON R	R25J-1.0K	1	415471024T
R5160	NF CARBON R	R25J-120	1	415471214T
R5161	NF CARBON R	R25J-120	1	415471214T
R5162	NF CARBON R	R25J-120	1	415471214T
R5163	NF CARBON R	R25J-120	1	415471214T
R5164	NF CARBON R	R25J-120	1	415471214T
R5165	NF CARBON R	R25J-120	1	415471214T
R5166	NF CARBON R	R25J-120	1	415471214T
R5170	NF CARBON R	R25J-820	1	415478214T
R5171	NF CARBON R	R25J-820	1	415478214T
R5172	NF CARBON R	R25J-820	1	415478214T
R5173	NF CARBON R	R25J-820	1	415478214T
R5174	NF CARBON R	R25J-820	1	415478214T
R5175	NF CARBON R	R25J-820	1	415478214T
R5176	NF CARBON R	R25J-820	1	415478214T
R5180	NF CARBON R	R25J-10	1	415471004T
R5181	NF CARBON R	R25J-10	1	415471004T
R5182	NF CARBON R	R25J-10	1	415471004T
R5183	NF CARBON R	R25J-10	1	415471004T
R5184	NF CARBON R	R25J-10	1	415471004T
R5185	NF CARBON R	R25J-10	1	415471004T
R5186	NF CARBON R	R25J-10	1	415471004T
R5190	NF CARBON R	R25J-10	1	415471004T
R5191	NF CARBON R	R25J-10	1	415471004T
R5192	NF CARBON R	R25J-10	1	415471004T
R5193	NF CARBON R	R25J-10	1	415471004T
R5194	NF CARBON R	R25J-10	1	415471004T
R5195	NF CARBON R	R25J-10	1	415471004T
R5196	NF CARBON R	R25J-10	1	415471004T
R5200	CARBON R	R16J-18K	1	417341834T
R5201	CARBON R	R16J-18K	1	417341834T
R5202	CARBON R	R16J-18K	1	417341834T

R5203	CARBON R	R16J-18K	1	417341834T
R5204	CARBON R	R16J-18K	1	417341834T
R5205	CARBON R	R16J-18K	1	417341834T
R5206	CARBON R	R16J-18K	1	417341834T
R5210	NF CARBON R	R25J-820	1	415478214T
R5211	NF CARBON R	R25J-820	1	415478214T
R5212	NF CARBON R	R25J-820	1	415478214T
R5213	NF CARBON R	R25J-820	1	415478214T
R5214	NF CARBON R	R25J-820	1	415478214T
R5215	NF CARBON R	R25J-820	1	415478214T
R5216	NF CARBON R	R25J-820	1	415478214T
R5220	NF CARBON R	R25J-120	1	415471214T
R5221	NF CARBON R	R25J-120	1	415471214T
R5222	NF CARBON R	R25J-120	1	415471214T
R5223	NF CARBON R	R25J-120	1	415471214T
R5224	NF CARBON R	R25J-120	1	415471214T
R5225	NF CARBON R	R25J-120	1	415471214T
R5226	NF CARBON R	R25J-120	1	415471214T
R5270	NF CARBON R	R25J-120	1	415471214T
R5271	NF CARBON R	R25J-120	1	415471214T
R5272	NF CARBON R	R25J-120	1	415471214T
R5273	NF CARBON R	R25J-120	1	415471214T
R5274	NF CARBON R	R25J-120	1	415471214T
R5275	NF CARBON R	R25J-120	1	415471214T
R5276	NF CARBON R	R25J-120	1	415471214T
R5280	NF CARBON R	R25J-120	1	415471214T
R5281	NF CARBON R	R25J-120	1	415471214T
R5282	NF CARBON R	R25J-120	1	415471214T
R5283	NF CARBON R	R25J-120	1	415471214T
R5284	NF CARBON R	R25J-120	1	415471214T
R5285	NF CARBON R	R25J-120	1	415471214T
R5286	NF CARBON R	R25J-120	1	415471214T
R5300	CARBON R	R16J-330	1	417343314T
R5301	CARBON R	R16J-330	1	417343314T
R5302	CARBON R	R16J-330	1	417343314T
R5303	CARBON R	R16J-330	1	417343314T
R5304	CARBON R	R16J-330	1	417343314T
R5305	CARBON R	R16J-330	1	417343314T
R5306	CARBON R	R16J-330	1	417343314T
R5310	CARBON R	R16J-330	1	417343314T
R5311	CARBON R	R16J-330	1	417343314T
R5312	CARBON R	R16J-330	1	417343314T
R5313	CARBON R	R16J-330	1	417343314T
R5314	CARBON R	R16J-330	1	417343314T
R5315	CARBON R	R16J-330	1	417343314T
R5316	CARBON R	R16J-330	1	417343314T

R5350	NF CARBON R	R25J-18	1	415471804T
R5351	NF CARBON R	R25J-18	1	415471804T
R5352	NF CARBON R	R25J-18	1	415471804T
R5353	NF CARBON R	R25J-18	1	415471804T
R5354	NF CARBON R	R25J-18	1	415471804T
R5355	NF CARBON R	R25J-18	1	415471804T
R5356	NF CARBON R	R25J-18	1	415471804T
R5360	NF CARBON R	R25J-18	1	415471804T
R5361	NF CARBON R	R25J-18	1	415471804T
R5362	NF CARBON R	R25J-18	1	415471804T
R5363	NF CARBON R	R25J-18	1	415471804T
R5364	NF CARBON R	R25J-18	1	415471804T
R5365	NF CARBON R	R25J-18	1	415471804T
R5366	NF CARBON R	R25J-18	1	415471804T
R5370	NF CARBON R	R25J-2.2	1	415470224T
R5371	NF CARBON R	R25J-2.2	1	415470224T
R5372	NF CARBON R	R25J-2.2	1	415470224T
R5373	NF CARBON R	R25J-2.2	1	415470224T
R5374	NF CARBON R	R25J-2.2	1	415470224T
R5375	NF CARBON R	R25J-2.2	1	415470224T
R5376	NF CARBON R	R25J-2.2	1	415470224T
R5380	NF CARBON R	R25J-2.2	1	415470224T
R5381	NF CARBON R	R25J-2.2	1	415470224T
R5382	NF CARBON R	R25J-2.2	1	415470224T
R5383	NF CARBON R	R25J-2.2	1	415470224T
R5384	NF CARBON R	R25J-2.2	1	415470224T
R5385	NF CARBON R	R25J-2.2	1	415470224T
R5386	NF CARBON R	R25J-2.2	1	415470224T
R5420	NF CARBON R	R25J-10	1	415471004T
R5421	NF CARBON R	R25J-10	1	415471004T
R5422	NF CARBON R	R25J-10	1	415471004T
R5423	NF CARBON R	R25J-10	1	415471004T
R5424	NF CARBON R	R25J-10	1	415471004T
R5425	NF CARBON R	R25J-10	1	415471004T
R5426	NF CARBON R	R25J-10	1	415471004T
R5440	TRIM R	N06HR2KBB	1	5211402T
R5441	TRIM R	N06HR2KBB	1	5211402T
R5442	TRIM R	N06HR2KBB	1	5211402T
R5443	TRIM R	N06HR2KBB	1	5211402T
R5444	TRIM R	N06HR2KBB	1	5211402T
R5445	TRIM R	N06HR2KBB	1	5211402T
R5446	TRIM R	N06HR2KBB	1	5211402T
R5450	CARBON R	R16J-2.7K	1	417342724T
R5451	CARBON R	R16J-2.7K	1	417342724T
R5452	CARBON R	R16J-2.7K	1	417342724T
R5453	CARBON R	R16J-2.7K	1	417342724T

R5454	CARBON R	R16J-2.7K	1	417342724T	
R5455	CARBON R	R16J-2.7K	1	417342724T	
R5456	CARBON R	R16J-2.7K	1	417342724T	
R5470	NF CARBON R	R25J-82	1	415478204T	
R5471	NF CARBON R	R25J-82	1	415478204T	
R5472	NF CARBON R	R25J-82	1	415478204T	
R5473	NF CARBON R	R25J-82	1	415478204T	
R5474	NF CARBON R	R25J-82	1	415478204T	
R5475	NF CARBON R	R25J-82	1	415478204T	
R5476	NF CARBON R	R25J-82	1	415478204T	
R5480	CARBON R	R16J-10	1	417341004T	
R5481	CARBON R	R16J-10	1	417341004T	
R5482	CARBON R	R16J-10	1	417341004T	
R5483	CARBON R	R16J-10	1	417341004T	
R5484	CARBON R	R16J-10	1	417341004T	
R5485	CARBON R	R16J-10	1	417341004T	
R5486	CARBON R	R16J-10	1	417341004T	
R5490	CARBON R	R16J-10	1	417341004T	
R5491	CARBON R	R16J-10	1	417341004T	
R5492	CARBON R	R16J-10	1	417341004T	
R5493	CARBON R	R16J-10	1	417341004T	
R5494	CARBON R	R16J-10	1	417341004T	
R5495	CARBON R	R16J-10	1	417341004T	
R5496	CARBON R	R16J-10	1	417341004T	
<b>[SW TRM]</b>					
P6000A	SOCKET	NSCT-9P2189	1	25052292	
P6001A	SOCKET	NSCT-9P2189	1	25052292	
P6002A	SOCKET	NSCT-9P2189	1	25052292	
P6003A	SOCKET	NSCT-9P2189	1	25052292	
P6004A	SOCKET	NSCT-9P2189	1	25052292	
P6005A	SOCKET	NSCT-9P2189	1	25052292	
P6006A	SOCKET	NSCT-9P2189	1	25052292	
P6007A	TRM	NTM-1P233(M1969)	1	25060302	
P6008A	TRM	NTM-1P233(M1969)	1	25060302	
P6009A	TRM	NTM-1P233(M1969)	1	25060302	
P6010A	TRM	NTM-1P233(M1969)	1	25060302	
<b>U003</b> U0030~U0034 x 2 pcs. <b>BATRM-1089-1A/1B *</b>					
<b>U0030</b> SPEAKER TERMINAL PC BOARD ASS'Y <b>BATRM-1089-1A/1B</b>					
<b>U0031</b> FIX PC BOARD <b>BAETC-1090-1A/1B</b>					
<b>U0034</b> FIX PC BOARD <b>BAETC-1100-1A/1B</b>					
<b>CIRCUIT PART NAME</b> <b>DESCRIPTION</b> <b>Q'TY</b> <b>PART NO. (SN)</b> <b>REMARKS</b>					
<b>[SEMI CONDUCTOR]</b>					
D6600	C-DIODE	KDS4148U	1	223283R2	

D6600 or C-DIODE		ISS352	(1)	223234R2	
D6600 or C-DIODE		ISS355	(1)	223269R2	
D6600 or C-DIODE		MA2J111	(1)	223279R2	
D6600 or C-DIODE		DA2J10100	(1)	223303R2	
D6603 C-DIODE		KDS4148U	1	223283R2	
D6603 or C-DIODE		ISS352	(1)	223234R2	
D6603 or C-DIODE		ISS355	(1)	223269R2	
D6603 or C-DIODE		MA2J111	(1)	223279R2	
D6603 or C-DIODE		DA2J10100	(1)	223303R2	
D6605 C-DIODE		KDS4148U	1	223283R2	<B MDC, MDD, MDF, B MMA, MMB, MMP, MMQ, MMR, B
D6605 or C-DIODE		ISS352	(1)	223234R2	<B MDC, MDD, MDF, B MMA, MMB, MMP, MMQ, MMR, B
D6605 or C-DIODE		ISS355	(1)	223269R2	<B MDC, MDD, MDF, B MMA, MMB, MMP, MMQ, MMR, B
D6605 or C-DIODE		MA2J111	(1)	223279R2	<B MDC, MDD, MDF, B MMA, MMB, MMP, MMQ, MMR, B
D6605 or C-DIODE		DA2J10100	(1)	223303R2	<B MDC, MDD, MDF, B MMA, MMB, MMP, MMQ, MMR, B
D6607 C-DIODE		KDS4148U	1	223283R2	<B MDC, MDD, MDF, B MMA, MMB, MMP, MMQ, MMR>
D6607 or C-DIODE		ISS352	(1)	223234R2	<B MDC, MDD, MDF, B MMA, MMB, MMP, MMQ, MMR>
D6607 or C-DIODE		ISS355	(1)	223269R2	<B MDC, MDD, MDF, B MMA, MMB, MMP, MMQ, MMR>
D6607 or C-DIODE		MA2J111	(1)	223279R2	<B MDC, MDD, MDF, B MMA, MMB, MMP, MMQ, MMR>
D6607 or C-DIODE		DA2J10100	(1)	223303R2	<B MDC, MDD, MDF, B MMA, MMB, MMP, MMQ, MMR>
Q6601 TR		KRC105S	1	2217290R2	
Q6602 TR		KRC105S	1	2217290R2	
Q6603 TR		KRC105S	1	2217290R2	<B MDC, MDD, MDF, B MMA, MMB, MMP, MMQ, MMR, B
Q6604 TR		KRC105S	1	2217290R2	<B MDC, MDD, MDF, B MMA, MMB, MMP, MMQ, MMR>
<b>[TRANS COIL]</b>					
L6600 S-COIL		SC-0.8X5.5X18.5T	1	231431S	<B MDC, MDD, MDF, B MMA, MMB, MMP, MMQ, MMR, B
L6600 or S-COIL		PI-ROD002-0083	(1)	231454S	N <B MDC, MDD, MDF, B MMA, MMB, MMP, MMQ, MMR, B
L6600 or S-COIL		SC2-0.8X5.5X18.5T	(1)	231455S	N <B MDC, MDD, MDF, B MMA, MMB, MMP, MMQ, MMR, B
L6601 S-COIL		SC-0.8X5.5X18.5T	1	231431S	<B MDC, MDD, MDF, B MMA, MMB, MMP, MMQ, MMR, B
L6601 or S-COIL		PI-ROD002-0083	(1)	231454S	N <B MDC, MDD, MDF, B MMA, MMB, MMP, MMQ, MMR, B
L6601 or S-COIL		SC2-0.8X5.5X18.5T	(1)	231455S	N <B MDC, MDD, MDF, B MMA, MMB, MMP, MMQ, MMR, B
L6602 S-COIL		SC-0.8X5.5X18.5T	1	231431S	<B MDC, MDD, MDF, B MMA, MMB, MMP, MMQ, MMR, B
L6602 or S-COIL		PI-ROD002-0083	(1)	231454S	N <B MDC, MDD, MDF, B MMA, MMB, MMP, MMQ, MMR, B
L6602 or S-COIL		SC2-0.8X5.5X18.5T	(1)	231455S	N <B MDC, MDD, MDF, B MMA, MMB, MMP, MMQ, MMR, B
L6603 S-COIL		SC-0.8X5.5X18.5T	1	231431S	<B MDC, MDD, MDF, B MMA, MMB, MMP, MMQ, MMR, B
L6603 or S-COIL		PI-ROD002-0083	(1)	231454S	N <B MDC, MDD, MDF, B MMA, MMB, MMP, MMQ, MMR, B
L6603 or S-COIL		SC2-0.8X5.5X18.5T	(1)	231455S	N <B MDC, MDD, MDF, B MMA, MMB, MMP, MMQ, MMR, B
L6604 S-COIL		SC-0.8X5.5X18.5T	1	231431S	<B MDC, MDD, MDF, B MMA, MMB, MMP, MMQ, MMR, B
L6604 or S-COIL		PI-ROD002-0083	(1)	231454S	N <B MDC, MDD, MDF, B MMA, MMB, MMP, MMQ, MMR, B
L6604 or S-COIL		SC2-0.8X5.5X18.5T	(1)	231455S	N <B MDC, MDD, MDF, B MMA, MMB, MMP, MMQ, MMR, B
L6605 S-COIL		SC-0.8X5.5X18.5T	1	231431S	<B MDC, MDD, MDF, B MMA, MMB, MMP, MMQ, MMR, B
L6605 or S-COIL		PI-ROD002-0083	(1)	231454S	N <B MDC, MDD, MDF, B MMA, MMB, MMP, MMQ, MMR, B
L6605 or S-COIL		SC2-0.8X5.5X18.5T	(1)	231455S	N <B MDC, MDD, MDF, B MMA, MMB, MMP, MMQ, MMR, B
L6606 S-COIL		SC-0.8X5.5X18.5T	1	231431S	<B MDC, MDD, MDF, B MMA, MMB, MMP, MMQ, MMR, B
L6606 or S-COIL		PI-ROD002-0083	(1)	231454S	N <B MDC, MDD, MDF, B MMA, MMB, MMP, MMQ, MMR, B
L6606 or S-COIL		SC2-0.8X5.5X18.5T	(1)	231455S	N <B MDC, MDD, MDF, B MMA, MMB, MMP, MMQ, MMR, B
<b>[CAPACITOR]</b>					



C6600	C-CERA C	CC725CH1H-102J1	1	342101024R1	
C6602	C-CERA C	CC725CH1H-102J1	1	342101024R1	
C6603	C-CERA C	CC725CH1H-102J1	1	342101024R1	
C6605	C-CERA C	CC725CH1H-102J1	1	342101024R1	<B MDC, MDD, MDF, B MMA, MMB, MMP, MMQ, MMR, B
C6607	C-CERA C	CC725CH1H-102J1	1	342101024R1	<B MDC, MDD, MDF, B MMA, MMB, MMP, MMQ, MMR>
C6630	TF C	ECQ-V50V-473J	1	374724734T	
C6631	TF C	ECQ-V50V-473J	1	374724734T	
C6632	TF C	ECQ-V50V-473J	1	374724734T	
C6633	TF C	ECQ-V50V-473J	1	374724734T	
C6634	TF C	ECQ-V50V-473J	1	374724734T	
C6635	TF C	ECQ-V50V-473J	1	374724734T	<B MDC, MDD, MDF, B MMA, MMB, MMP, MMQ, MMR, B
C6636	TF C	ECQ-V50V-473J	1	374724734T	<B MDC, MDD, MDF, B MMA, MMB, MMP, MMQ, MMR, B
C6640	TF C	ECQ-V50V-103J	1	374721034T	<B MMA, MMB, MMP, MMQ, MMR>
C6641	TF C	ECQ-V50V-103J	1	374721034T	<B MMA, MMB, MMP, MMQ, MMR>
C6642	TF C	ECQ-V50V-103J	1	374721034T	<B MMA, MMB, MMP, MMQ, MMR>
C6643	TF C	ECQ-V50V-103J	1	374721034T	<B MMA, MMB, MMP, MMQ, MMR>
C6644	TF C	ECQ-V50V-103J	1	374721034T	<B MMA, MMB, MMP, MMQ, MMR>
C6645	TF C	ECQ-V50V-103J	1	374721034T	<B MMA, MMB, MMP, MMQ, MMR>
C6646	TF C	ECQ-V50V-103J	1	374721034T	<B MMA, MMB, MMP, MMQ, MMR>
C6650	MKT C	B32529C0102J289	1	376491024T	<B MMA, MMB, MMP, MMQ, MMR>
C6651	MKT C	B32529C0102J289	1	376491024T	<B MMA, MMB, MMP, MMQ, MMR>
C6652	MKT C	B32529C0102J289	1	376491024T	<B MMA, MMB, MMP, MMQ, MMR>
C6653	MKT C	B32529C0102J289	1	376491024T	<B MMA, MMB, MMP, MMQ, MMR>
C6654	MKT C	B32529C0102J289	1	376491024T	<B MMA, MMB, MMP, MMQ, MMR>
C6655	MKT C	B32529C0102J289	1	376491024T	<B MMA, MMB, MMP, MMQ, MMR>
C6656	MKT C	B32529C0102J289	1	376491024T	<B MMA, MMB, MMP, MMQ, MMR>
<b>[RESISTOR]</b>					
R6600	METAL O R	RS1/2WBJ-10	1	443521004T	<B MDC, MDD, MDF, B MMA, MMB, MMP, MMQ, MMR, B
R6601	METAL O R	RS1/2WBJ-10	1	443521004T	<B MDC, MDD, MDF, B MMA, MMB, MMP, MMQ, MMR, B
R6602	METAL O R	RS1/2WBJ-10	1	443521004T	<B MDC, MDD, MDF, B MMA, MMB, MMP, MMQ, MMR, B
R6603	METAL O R	RS1/2WBJ-10	1	443521004T	<B MDC, MDD, MDF, B MMA, MMB, MMP, MMQ, MMR, B
R6604	METAL O R	RS1/2WBJ-10	1	443521004T	<B MDC, MDD, MDF, B MMA, MMB, MMP, MMQ, MMR, B
R6605	METAL O R	RS1/2WBJ-10	1	443521004T	<B MDC, MDD, MDF, B MMA, MMB, MMP, MMQ, MMR, B
R6606	METAL O R	RS1/2WBJ-10	1	443521004T	<B MDC, MDD, MDF, B MMA, MMB, MMP, MMQ, MMR, B
R6630	METAL R	RNU1WCJ-8.2	1	453630824T	
R6631	METAL R	RNU1WCJ-8.2	1	453630824T	
R6632	METAL R	RNU1WCJ-8.2	1	453630824T	
R6633	METAL R	RNU1WCJ-8.2	1	453630824T	
R6634	METAL R	RNU1WCJ-8.2	1	453630824T	
R6635	METAL R	RNU1WCJ-8.2	1	453630824T	<B MDC, MDD, MDF, B MMA, MMB, MMP, MMQ, MMR, B
R6636	METAL R	RNU1WCJ-8.2	1	453630824T	<B MDC, MDD, MDF, B MMA, MMB, MMP, MMQ, MMR, B
R6690	METAL O R	RS1/2WBJ-10	1	443521004T	
R6691	METAL O R	RS1/2WBJ-390	1	443523914T	
R6692	METAL O R	RS1/2WBJ-390	1	443523914T	
<b>[SW TRM]</b>					
E6602	RETAINER	(JOINT)	1	27142069	<B MDC, MDD, MDF, B MMA, MMB, MMP, MMQ, MMR, B

JL600B	SOCKET	NSCT-7P99	1	25050271	
JL603B	SOCKET	NSCT-9P101	1	25050273	
JL604B	SOCKET	NSCT-5P97	1	25050269	<B MDC, MDD, MDF, B MMA, MMB, MMP, MMQ, MMR>
JL605B	SOCKET	NSCT-5P97	1	25050269	
JL620B	WIRE TRAP	NPLG-7P590	1	25055628	
P6601	TRM	NTM-2PDMCR400	1	25060472	
P6602	TRM	NTM-4PDMNRR420	1	25060492	
P6603	TRM	NTM-4PDMNRR420	1	25060492	
P6604	TRM	NTM-4PDMNRR420	1	25060492	<B MDC, MDD, MDF, B MMA, MMB, MMP, MMQ, MMR, B
P8004A	SOCKET	NSCT-7P2398	1	25052501	
RL660	RELAY	NRL-2P5A-DC24-129	1	25065563A	
RL660 or	RELAY	NRL-2P5A-DC24-193	(1)	25065703	
RL660 or	RELAY	NRL-2P8A-DC24-201	(1)	25065718	
RL662	RELAY	NRL-2P5A-DC24-129	1	25065563A	
RL662 or	RELAY	NRL-2P5A-DC24-193	(1)	25065703	
RL662 or	RELAY	NRL-2P8A-DC24-201	(1)	25065718	
RL663	RELAY	NRL-2P5A-DC24-129	1	25065563A	
RL663 or	RELAY	NRL-2P5A-DC24-193	(1)	25065703	
RL663 or	RELAY	NRL-2P8A-DC24-201	(1)	25065718	
RL665	RELAY	NRL-2P5A-DC24-129	1	25065563A	<B MDC, MDD, MDF, B MMA, MMB, MMP, MMQ, MMR, B
RL665 or	RELAY	NRL-2P5A-DC24-193	(1)	25065703	<B MDC, MDD, MDF, B MMA, MMB, MMP, MMQ, MMR, B
RL665 or	RELAY	NRL-2P8A-DC24-201	(1)	25065718	<B MDC, MDD, MDF, B MMA, MMB, MMP, MMQ, MMR, B
RL667	RELAY	NRL-2P5A-DC24-129	1	25065563A	<B MDC, MDD, MDF, B MMA, MMB, MMP, MMQ, MMR>
RL667 or	RELAY	NRL-2P5A-DC24-193	(1)	25065703	<B MDC, MDD, MDF, B MMA, MMB, MMP, MMQ, MMR>
RL667 or	RELAY	NRL-2P8A-DC24-201	(1)	25065718	<B MDC, MDD, MDF, B MMA, MMB, MMP, MMQ, MMR>

<b>U004</b>	<b>U0040~U0043</b>	<b>BADIS-1093-1E *</b>
<b>U0040</b>	DISPLAY PC BOARD ASS'Y	BADIS-1093-1E
<b>U0041</b>	VIDEO PC BOARD ASS'Y	BAVD-1094-1E
<b>U0042</b>	SWITCH PC BOARD ASS'Y	BADIS-1095-1E
<b>U0043</b>	PHONE JACK PC BOARD ASS'Y	BAETC-1096-1E

CIRCUIT	PART NAME	DESCRIPTION	Q'TY	PART NO. (SN)	REMARKS
<b>[SEMI CONDUCTOR]</b>					
D201	DIODE	G10XB80-02-54A-T	1	22380378	
D201 or	DIODE	D5SBA60	(1)	22380070	
D201B	HEAT SINK	RAD-083	1	27160271	
D202	C-DIODE	KDS4148U	1	223283R2	
D202 or	C-DIODE	1SS352	(1)	223234R2	
D202 or	C-DIODE	1SS355	(1)	223269R2	
D202 or	C-DIODE	MA2J111	(1)	223279R2	
D203	C-DIODE	KDS4148U	1	223283R2	
D203 or	C-DIODE	1SS352	(1)	223234R2	
D203 or	C-DIODE	1SS355	(1)	223269R2	
D203 or	C-DIODE	MA2J111	(1)	223279R2	

D204	ZENER D	UDZS6.2B	1	224550620R2	
D2101	C-DIODE	KDS4148U	1	223283R2	
D2101 or	C-DIODE	1SS352	(1)	223234R2	
D2101 or	C-DIODE	1SS355	(1)	223269R2	
D2101 or	C-DIODE	MA2J111	(1)	223279R2	
D2102	C-DIODE	KDS4148U	1	223283R2	
D2102 or	C-DIODE	1SS352	(1)	223234R2	
D2102 or	C-DIODE	1SS355	(1)	223269R2	
D2102 or	C-DIODE	MA2J111	(1)	223279R2	
D2103	C-DIODE	KDS4148U	1	223283R2	
D2103 or	C-DIODE	1SS352	(1)	223234R2	
D2103 or	C-DIODE	1SS355	(1)	223269R2	
D2103 or	C-DIODE	MA2J111	(1)	223279R2	
D7502	ZENER D	DZ2J082M0L	1	224760820R2	
D7502 or	ZENER D	UDZS8.2B	(1)	224550820R2	
D7533	ZENER D	DZ2J039M0L	1	224760390R2	
D7533 or	ZENER D	UDZS3.9B	(1)	224550390R2	
D7652	LED	SLI-343Y8C-3F	1	225491	
D7654	LED	SCB3318E-D2	1	225487	
D7656	LED	SDPW31H1E0000	1	225509	N
D7656A	HOLDER	(LED)LH-5-5	1	27191312	
D7659	LED	SDPW31H1E0000	1	225509	N
D7659A	HOLDER	(LED)LH-5-5	1	27191312	
D7711	C-DIODE	DA2J10100	1	223303R2	
D7711 or	C-DIODE	1SS352	(1)	223234R2	
D7711 or	C-DIODE	1SS355	(1)	223269R2	
D7711 or	C-DIODE	MA2J111	(1)	223279R2	
D7711 or	C-DIODE	KDS4148U	(1)	223283R2	
D7712	C-DIODE	DA2J10100	1	223303R2	
D7712 or	C-DIODE	1SS352	(1)	223234R2	
D7712 or	C-DIODE	1SS355	(1)	223269R2	
D7712 or	C-DIODE	MA2J111	(1)	223279R2	
D7712 or	C-DIODE	KDS4148U	(1)	223283R2	
D7801	ZENER D	DZ2J051M0L	1	224760510R2	
D7801 or	ZENER D	UDZS5.1B	(1)	224550510R2	
D7811	ZENER D	DZ2J068M0L	1	224760680R2	
D7811 or	ZENER D	UDZS6.8B	(1)	224550680R2	
D7812	ZENER D	DZ2J068M0L	1	224760680R2	
D7812 or	ZENER D	UDZS6.8B	(1)	224550680R2	
D7901	C-DIODE	DA2J10100	1	223303R2	
D7901 or	C-DIODE	1SS352	(1)	223234R2	
D7901 or	C-DIODE	1SS355	(1)	223269R2	
D7901 or	C-DIODE	MA2J111	(1)	223279R2	
D7901 or	C-DIODE	KDS4148U	(1)	223283R2	
D7902	C-DIODE	DA2J10100	1	223303R2	
D7902 or	C-DIODE	1SS352	(1)	223234R2	

D7902 or C-DIODE		ISS355	(1)	223269R2	
D7902 or C-DIODE		MA2J111	(1)	223279R2	
D7902 or C-DIODE		KDS4148U	(1)	223283R2	
D7903 C-DIODE		DA2J10100	1	223303R2	
D7903 or C-DIODE		ISS352	(1)	223234R2	
D7903 or C-DIODE		ISS355	(1)	223269R2	
D7903 or C-DIODE		MA2J111	(1)	223279R2	
D7903 or C-DIODE		KDS4148U	(1)	223283R2	
D7904 C-DIODE		DA2J10100	1	223303R2	
D7904 or C-DIODE		ISS352	(1)	223234R2	
D7904 or C-DIODE		ISS355	(1)	223269R2	
D7904 or C-DIODE		MA2J111	(1)	223279R2	
D7904 or C-DIODE		KDS4148U	(1)	223283R2	
Q2001 IC		NJW1328	1	22242691R3	
Q201 IC		S-1172B50-U5T1G	1	22242765R2	
Q202 TR		KRC104S	1	2216210R2	
Q7501 IC		ML9208A-13GAZ03A	1	22242772R3	N
Q7502 FL TUBE		16-BT-168GNK	1	212279	N
Q7502A HOLDER		(FL)	1	27191222C	
Q7503 TR		KTC3875-GR	1	2216175R2	
Q7504 TR		KTC3875-GR	1	2216175R2	
Q7505 TR		KRA102S	1	2216220R2	
Q7507 TR		KRC102S	1	2216190R2	
Q7508 TR		2SC2712-GR	1	2213145R2	
Q7508 or TR		KTC3875-GR	(1)	2216175R2	
Q7509 TR		KRA107S	1	2216350R2	
Q7510 TR		KRC107S	1	2216340R2	
Q7533 TR		KTC3875-GR	1	2216175R2	
Q7654 TR		DTC123JKA	1	2216690R2	
Q7654 or TR		KRC105S	(1)	2217290R2	
Q7656 TR		DTC123JKA	1	2216690R2	
Q7656 or TR		KRC105S	(1)	2217290R2	
Q7657 TR		DTC123JKA	1	2216690R2	
Q7657 or TR		KRC105S	(1)	2217290R2	
Q7802 IC		NJM4580M-D	1	22241448R2	
Q7803 TR		DTC114TKA	1	2216670R2	
Q7803 or TR		KRC111S	(1)	2217850R2	
Q7804 TR		DTC114TKA	1	2216670R2	
Q7804 or TR		KRC111S	(1)	2217850R2	
<b>[TRANS COIL]</b>					
L201 CORE		BLM18PG181SN1D	1	2350005R1	
L7531 CHOKE COIL		LBC2518T2R2M	1	231364M022R2	
L7532 CHOKE COIL		LBC2518T2R2M	1	231364M022R2	
L7701 EMIFIL		BK1608LM182-T	1	230958R1	
L7702 EMIFIL		BK1608LM182-T	1	230958R1	
L7751 CHOKE COIL		LBC2518T2R2M	1	231364M022R2	

L7752	CHOKE COIL	LBC2518T2R2M	1	231364M022R2
L7753	CHOKE COIL	LBC2518T2R2M	1	231364M022R2
L7831	CHOKE COIL	LBC2518T2R2M	1	231364M022R2
L7832	CHOKE COIL	LBC2518T2R2M	1	231364M022R2
L7902	CORE	BLM18PG121SN1D	1	2350006R1
L7903	CORE	BLM18PG121SN1D	1	2350006R1
<b>[CAPACITOR]</b>				
C2000	C-CERA C	CK725F1E-104Z1	1	332161040R1
C2001	C-CERA C	CK725F1E-104Z1	1	332161040R1
C2002	VR C	CE04W50V-2.2M(VR)	1	394680227T
C2002 or	JAMICON	CE04W50V-2.2M	( 1)	398580227T
C2004	C-CERA C	CK725F1E-104Z1	1	332161040R1
C2005	C-CERA C	CK725F1A-105Z1	1	332181050R1
C2006	C-CERA C	CK725F1A-105Z1	1	332181050R1
C2007	C-CERA C	CK725F1A-105Z1	1	332181050R1
C2008	C-CERA C	CK725F1E-104Z1	1	332161040R1
C2009	C-CERA C	CK725F1A-105Z1	1	332181050R1
C201	VR C	CE04W16V-1000M(VR)	1	394641037S
C2010	C-CERA C	CK725F1A-105Z1	1	332181050R1
C2012	C-CERA C	CK725F1E-104Z1	1	332161040R1
C2013	C-CERA C	CK725F1E-104Z1	1	332161040R1
C2014	C-CERA C	CK725F1E-104Z1	1	332161040R1
C2015	C-CERA C	CK725F1E-104Z1	1	332161040R1
C2016	C-CERA C	CK725F1A-105Z1	1	332181050R1
C202	VR C	CE04W50V-4.7M(VR)	1	394680477T
C202 or	JAMICON	CE04W50V-4.7M	( 1)	398580477T
C203	TF C	ECQ-V50V-334J	1	374723344T
C204	C-CERA C	CK725B0J-226M	1	332092267R2
C205	C-CERA C	CK725B0J-226M	1	332092267R2
C2052	VR C	CE04W6.3V-470M(VR)	1	394624717T
C2052 or	JAMICON	CE04W6.3V-470M	( 1)	398524717T
C2053	VR C	CE04W6.3V-470M(VR)	1	394624717T
C2053 or	JAMICON	CE04W6.3V-470M	( 1)	398524717T
C2054	C-CERA C	CC725CH1H-470J1	1	342104704R1
C2055	C-CERA C	CC725CH1H-470J1	1	342104704R1
C207	VR C	CE04W6.3V-470M(VR)	1	394624717T
C207 or	JAMICON	CE04W6.3V-470M	( 1)	398524717T
C208	C-CERA C	CK725F1E-104Z1	1	332161040R1
C2101	VR C	CE04W6.3V-470M(VR)	1	394624717T
C2101 or	JAMICON	CE04W6.3V-470M	( 1)	398524717T
C2102	VR C	CE04W50V-2.2M(VR)	1	394680227T
C2102 or	JAMICON	CE04W50V-2.2M	( 1)	398580227T
C2103	VR C	CE04W50V-2.2M(VR)	1	394680227T
C2103 or	JAMICON	CE04W50V-2.2M	( 1)	398580227T
C2105	VR C	CE04W50V-2.2M(VR)	1	394680227T
C2105 or	JAMICON	CE04W50V-2.2M	( 1)	398580227T

C2106	VR C	CE04W50V-2.2M(VR)	1	394680227T
C2106 or	JAMICON	CE04W50V-2.2M	( 1)	398580227T
C2107	VR C	CE04W6.3V-470M(VR)	1	394624717T
C2107 or	JAMICON	CE04W6.3V-470M	( 1)	398524717T
C2108	VR C	CE04W6.3V-470M(VR)	1	394624717T
C2108 or	JAMICON	CE04W6.3V-470M	( 1)	398524717T
C2109	VR C	CE04W6.3V-470M(VR)	1	394624717T
C2109 or	JAMICON	CE04W6.3V-470M	( 1)	398524717T
C2110	VR C	CE04W50V-2.2M(VR)	1	394680227T
C2110 or	JAMICON	CE04W50V-2.2M	( 1)	398580227T
C2111	VR C	CE04W50V-2.2M(VR)	1	394680227T
C2111 or	JAMICON	CE04W50V-2.2M	( 1)	398580227T
C2112	VR C	CE04W50V-2.2M(VR)	1	394680227T
C2112 or	JAMICON	CE04W50V-2.2M	( 1)	398580227T
C2113	C-CERA C	CK725B1H-102K1	1	332101025R1
C2114	C-CERA C	CK725B1H-102K1	1	332101025R1
C2115	C-CERA C	CK725B1H-103K1	1	332101035R1
C2116	C-CERA C	CK725B1H-103K1	1	332101035R1
C2117	C-CERA C	CK725B1H-102K1	1	332101025R1
C2201	VR C	CE04W16V-100M(VR)	1	394641017T
C2201 or	JAMICON	CE04W16V-100M	( 1)	398541017T
C2202	VR C	CE04W16V-100M(VR)	1	394641017T
C2202 or	JAMICON	CE04W16V-100M	( 1)	398541017T
C2203	VR C	CE04W16V-100M(VR)	1	394641017T
C2203 or	JAMICON	CE04W16V-100M	( 1)	398541017T
C2204	VR C	CE04W16V-100M(VR)	1	394641017T
C2204 or	JAMICON	CE04W16V-100M	( 1)	398541017T
C2254	C-CERA C	CK725F1A-105Z1	1	332181050R1
C2255	C-CERA C	CK725F1A-105Z1	1	332181050R1
C2256	C-CERA C	CK725F1A-105Z1	1	332181050R1
C7502	C-CERA C	CK725F1E-104Z1	1	332161040R1
C7503	C-CERA C	CC725CH1H-101J1	1	342101014R1
C7504	C-CERA C	CC725CH1H-101J1	1	342101014R1
C7505	C-CERA C	CC725CH1H-101J1	1	342101014R1
C7508	ELECT C	CE04W6.3V-100M(S)	1	353721019T
C7509	C-CERA C	CK725F1E-104Z1	1	332161040R1
C7510	C-CERA C	CK725B1H-223K1	1	332102235R1
C7511	C-CERA C	CK725B1H-223K1	1	332102235R1
C7512	C-CERA C	CK725B1H-223K1	1	332102235R1
C7514	C-CERA C	CK725B1H-223K1	1	332102235R1
C7515	ELECT C	CE04W16V-47M(S)	1	353744709T
C7516	C-CERA C	CK725B1H-223K1	1	332102235R1
C7517	C-CERA C	CK725B1H-223K1	1	332102235R1
C7520	C-CERA C	CK725B1H-223K1	1	332102235R1
C7521	C-CERA C	CK725B1H-103K1	1	332101035R1
C7522	C-CERA C	CK725B1H-103K1	1	332101035R1



C7523	C-CERA C	CC725CH1H-390J1	1	342103904R1
C7531	C-CERA C	CK725B1H-223K1	1	332102235R1
C7532	C-CERA C	CK725B1H-223K1	1	332102235R1
C7533	ELECT C	CE04W16V-10M(S)	1	353741009T
C7541	ELECT C	CE04W16V-10M(S)	1	353741009T
C7542	C-CERA C	CC725CH1H-102J1	1	342101024R1
C7543	C-CERA C	CC725CH1H-102J1	1	342101024R1
C7550	C-CERA C	CK725F1E-104Z1	1	332161040R1
C7705	C-CERA C	CK725F1E-104Z1	1	332161040R1
C7714	C-CERA C	CK725F1E-104Z1	1	332161040R1
C7716	C-CERA C	CK725F1E-104Z1	1	332161040R1
C7719	C-CERA C	CC725CH1H-470J1	1	342104704R1
C7751	C-CERA C	CC725CH1H-102J1	1	342101024R1
C7752	C-CERA C	CK725B1H-223K1	1	332102235R1
C7753	MKT C	B32529C0102J289	1	376491024T
C7754	MKT C	B32529C0102J289	1	376491024T
C7803	ELECT C	CE04W16V-47M(S)	1	353744709T
C7805	ELECT C	CE04W16V-10M(S)	1	353741009T
C7811	ELECT C	CE04W16V-47M(S)	1	353744709T
C7812	ELECT C	CE04W16V-47M(S)	1	353744709T
C7831	ELECT C	CE04W16V-10M(S)	1	353741009T
C7832	C-CERA C	CC725CH1H-101J1	1	342101014R1
C7833	C-CERA C	CC725CH1H-102J1	1	342101024R1
C7834	C-CERA C	CC725CH1H-330J1	1	342103304R1
C7901	C-CERA C	CK725F1E-104Z1	1	332161040R1
C7903	C-CERA C	CK725F1E-104Z1	1	332161040R1
<b>[RESISTOR]</b>				
R2001	C-CARBON R	RN72K1J-563JE	1	435035634R1
R2002	C-CARBON R	RN72K1J-563JE	1	435035634R1
R2003	C-CARBON R	RN72K1J-183JE	1	435031834R1
R2004	C-CARBON R	RN72K1J-103JE	1	435031034R1
R2005	C-CARBON R	RN72K1J-183JE	1	435031834R1
R2006	C-CARBON R	RN72K1J-103JE	1	435031034R1
R2007	C-CARBON R	RN72K1J-222JE	1	435032224R1
R2008	C-CARBON R	RN72K1J-222JE	1	435032224R1
R201	C-CARBON R	RN72K1J-104JE	1	435031044R1
R202	C-CARBON R	RN72K1J-103JE	1	435031034R1
R203	C-CARBON R	RN72K1J-103JE	1	435031034R1
R2051	C-CARBON R	RN72K1J-750JE	1	435037504R1
R2052	C-CARBON R	RN72K1J-220JE	1	435032204R1
R2054	C-CARBON R	RN72K1J-330JE	1	435033304R1
R2055	C-CARBON R	RN72K1J-220JE	1	435032204R1
R2101	C-CARBON R	RN72K1J-750JE	1	435037504R1
R2102	C-CARBON R	RN72K1J-750JE	1	435037504R1
R2103	C-CARBON R	RN72K1J-750JE	1	435037504R1
R2105	C-CARBON R	RN72K1J-750JE	1	435037504R1

R2106	C-CARBON R	RN72K1J-750JE	1	435037504R1
R2107	C-CARBON R	RN72K1J-750JE	1	435037504R1
R2108	C-CARBON R	RN72K1J-750JE	1	435037504R1
R2109	C-CARBON R	RN72K1J-750JE	1	435037504R1
R2110	C-CARBON R	RN72K1J-750JE	1	435037504R1
R2111	C-CARBON R	RN72K1J-750JE	1	435037504R1
R2112	C-CARBON R	RN72K1J-750JE	1	435037504R1
R2113	C-CARBON R	RN72K1J-104JE	1	435031044R1
R2115	C-CARBON R	RN72K1J-104JE	1	435031044R1
R2116	C-CARBON R	RN72K1J-104JE	1	435031044R1
R2117	C-CARBON R	RN72K1J-104JE	1	435031044R1
R2201	C-CARBON R	RN72K1J-000JE	1	435030004R1
R2202	C-CARBON R	RN72K1J-561JE	1	435035614R1
R2203	C-CARBON R	RN72K1J-000JE	1	435030004R1
R2204	C-CARBON R	RN72K1J-000JE	1	435030004R1
R2205	C-CARBON R	RN72K1J-561JE	1	435035614R1
R2212	C-CARBON R	RN72K1J-000JE	1	435030004R1
R2213	C-CARBON R	RN72K1J-000JE	1	435030004R1
R7502	C-CARBON R	RN72K1J-332JE	1	435033324R1
R7503	C-CARBON R	RN72K1J-332JE	1	435033324R1
R7504	C-CARBON R	RN72K1J-221JE	1	435032214R1
R7505	C-CARBON R	RN72K1J-221JE	1	435032214R1
R7507	C-CARBON R	RN72K1J-221JE	1	435032214R1
R7508	C-CARBON R	RN72K1J-221JE	1	435032214R1
R7512	C-CARBON R	RN72K1J-103JE	1	435031034R1
R7513	C-CARBON R	RN72K1J-332JE	1	435033324R1
R7514	C-CARBON R	RN72K1J-473JE	1	435034734R1
R7515	C-CARBON R	RN72K1J-103JE	1	435031034R1
R7516	C-CARBON R	RN72K1J-103JE	1	435031034R1
R7517	C-CARBON R	RN72K1J-103JE	1	435031034R1
R7518	C-CARBON R	RN72K1J-333JE	1	435033334R1
R7519	C-CARBON R	RN72K1J-152JE	1	435031524R1
R7521	C-CARBON R	RN72K1J-103JE	1	435031034R1
R7522	C-CARBON R	RN72K1J-103JE	1	435031034R1
R7523	C-CARBON R	RN72K1J-103JE	1	435031034R1
R7524	C-CARBON R	RN72K1J-103JE	1	435031034R1
R7533	C-CARBON R	RN72K1J-820JE	1	435038204R1
R7541	C-CARBON R	RN72K1J-101JE	1	435031014R1
R7542	C-CARBON R	RN72K1J-102JE	1	435031024R1
R7601	C-CARBON R	RN72K1J-271JE	1	435032714R1
R7602	C-CARBON R	RN72K1J-331JE	1	435033314R1
R7603	C-CARBON R	RN72K1J-471JE	1	435034714R1
R7604	C-CARBON R	RN72K1J-561JE	1	435035614R1
R7605	C-CARBON R	RN72K1J-821JE	1	435038214R1
R7606	C-CARBON R	RN72K1J-271JE	1	435032714R1
R7607	C-CARBON R	RN72K1J-331JE	1	435033314R1

R7608	C-CARBON R	RN72K1J-471JE	1	435034714R1
R7609	C-CARBON R	RN72K1J-561JE	1	435035614R1
R7610	C-CARBON R	RN72K1J-821JE	1	435038214R1
R7611	C-CARBON R	RN72K1J-122JE	1	435031224R1
R7612	C-CARBON R	RN72K1J-222JE	1	435032224R1
R7613	C-CARBON R	RN72K1J-392JE	1	435033924R1
R7614	C-CARBON R	RN72K1J-122JE	1	435031224R1
R7615	C-CARBON R	RN72K1J-271JE	1	435032714R1
R7616	C-CARBON R	RN72K1J-331JE	1	435033314R1
R7617	C-CARBON R	RN72K1J-471JE	1	435034714R1
R7618	C-CARBON R	RN72K1J-561JE	1	435035614R1
R7619	C-CARBON R	RN72K1J-821JE	1	435038214R1
R7620	C-CARBON R	RN72K1J-122JE	1	435031224R1
R7621	C-CARBON R	RN72K1J-222JE	1	435032224R1
R7622	C-CARBON R	RN72K1J-392JE	1	435033924R1
R7623	C-CARBON R	RN72K1J-271JE	1	435032714R1
R7624	C-CARBON R	RN72K1J-331JE	1	435033314R1
R7625	C-CARBON R	RN72K1J-471JE	1	435034714R1
R7626	C-CARBON R	RN72K1J-561JE	1	435035614R1
R7627	C-CARBON R	RN72K1J-821JE	1	435038214R1
R7628	C-CARBON R	RN72K1J-122JE	1	435031224R1
R7629	C-CARBON R	RN72K1J-222JE	1	435032224R1
R7630	C-CARBON R	RN72K1J-123JE	1	435031234R1
R7652	C-CARBON R	RN72K1J-222JE	1	435032224R1
R7654	C-CARBON R	RN72K1J-272JE	1	435032724R1
R7656	C-CARBON R	RN72K1J-181JE	1	435031814R1
R7659	C-CARBON R	RN72K1J-181JE	1	435031814R1
R7801	C-CARBON R	RN72K1J-101JE	1	435031014R1
R7803	C-CARBON R	RN72K1J-472JE	1	435034724R1
R7806	C-CARBON R	RN72K1J-331JE	1	435033314R1
R7809	C-CARBON R	RN72K1J-221JE	1	435032214R1
R7810	C-CARBON R	RN72K1J-221JE	1	435032214R1
R7811	C-CARBON R	RN72K1J-271JE	1	435032714R1
R7812	C-CARBON R	RN72K1J-271JE	1	435032714R1
R7813	C-CARBON R	RN72K1J-224JE	1	435032244R1
R7814	C-CARBON R	RN72K1J-104JE	1	435031044R1
R7815	C-CARBON R	RN72K1J-221JE	1	435032214R1
R7816	C-CARBON R	RN72K1J-221JE	1	435032214R1
R7820	C-CARBON R	RN72K1J-473JE	1	435034734R1
R7831	C-CARBON R	RN72K1J-221JE	1	435032214R1
R7832	C-CARBON R	RN72K1J-224JE	1	435032244R1
R7833	C-CARBON R	RN72K1J-473JE	1	435034734R1
R7834	C-CARBON R	RN72K1J-102JE	1	435031024R1
R7835	C-CARBON R	RN72K1J-333JE	1	435033334R1
<b>[SW TRM]</b>				
E7702A	RETAINER	(GND)	1	27142222A

E7751	TRM-423(SCREW)	NEJITANSI ST3	1	25060495	
F201	FUSE	4A-SEUL-TL250V	1	252392T	!
JL605A	WIRE HOL	NSCT-5P896	1	25051109	
JL702A	WIRE HOL	NSCT-7P878	1	25051091	
JL702B	WIRE TRAP	NPLG-7P590	1	25055628	
JL801A	WIRE HOL	NSCT-3P894	1	25051107	
JL952B	SOCKET	NSCT-3P95	1	25050267	
JL953A	WIRE HOL	NSCT-5P876	1	25051089	
P2201	PIN JACK	NPJ-3PDYYY560	1	25045778	
P2202	PIN JACK	NPJ-2PDYY679	1	25045911	
P2203	PIN JACK	NPJ-6PDGLRGLR646	1	25045871	
P2800A	SOCKET	NSCT-13P2404	1	25052507	
P2801A	SOCKET	NSCT-9P2400	1	25052503	
P3101B	PLUG	NPLG-5P352	1	25055369	
P701B	SOCKET	NSCT-23P2441	1	25052544	
P703A	SOCKET	NSCT-7P2425	1	25052528	
P7702	PIN JACK	NPJ-1PDB736	1	25045979	
P7751	ST JACK	MSJ-064-05A SR	1	25045783	
P7802	ST JACK	MSJ-035-105C-B-RF-SR-PC(ONA)	1	25045990	
P7901	SOCKET	000010211-00027	1	25053411	
S7502	R ENCODE	EC12E2425WITH WASHER	1	25065655W	
S7602	PUSH SW	NPS-111-S681	1	25035718T	
S7603	PUSH SW	NPS-111-S681	1	25035718T	
S7604	PUSH SW	NPS-111-S681	1	25035718T	
S7605	PUSH SW	NPS-111-S681	1	25035718T	
S7606	PUSH SW	NPS-111-S681	1	25035718T	
S7607	PUSH SW	NPS-111-S681	1	25035718T	
S7613	PUSH SW	NPS-111-S681	1	25035718T	
S7614	PUSH SW	NPS-111-S681	1	25035718T	
S7616	PUSH SW	NPS-111-S681	1	25035718T	
S7618	PUSH SW	NPS-111-S681	1	25035718T	
S7620	PUSH SW	NPS-111-S681	1	25035718T	
S7622	PUSH SW	NPS-111-S681	1	25035718T	
S7624	PUSH SW	NPS-111-S681	1	25035718T	
S7626	PUSH SW	NPS-111-S681	1	25035718T	
S7628	PUSH SW	NPS-111-S681	1	25035718T	
S7630	PUSH SW	NPS-111-S681	1	25035718T	
S7632	PUSH SW	NPS-111-S681	1	25035718T	
S7634	PUSH SW	NPS-111-S681	1	25035718T	
S7636	PUSH SW	NPS-111-S681	1	25035718T	
S7638	PUSH SW	NPS-111-S681	1	25035718T	
S7640	PUSH SW	NPS-111-S681	1	25035718T	
S7642	PUSH SW	NPS-111-S681	1	25035718T	
S7644	PUSH SW	NPS-111-S681	1	25035718T	
S7646	PUSH SW	NPS-111-S681	1	25035718T	
S7648	PUSH SW	NPS-111-S681	1	25035718T	

S7650	PUSH SW	NPS-111-S681	1	25035718T
S7652	PUSH SW	NPS-111-S681	1	25035718T
S7654	PUSH SW	NPS-111-S681	1	25035718T
S7656	PUSH SW	NPS-111-S681	1	25035718T
S7658	PUSH SW	NPS-111-S681	1	25035718T
S7660	PUSH SW	NPS-111-S681	1	25035718T
S7662	PUSH SW	NPS-111-S681	1	25035718T
S7664	PUSH SW	NPS-111-S681	1	25035718T

**[TUNER UNIT]**

U7541	REMO SENS	KSM-603TE5B	1	24130019
-------	-----------	-------------	---	----------

<b>U005</b>	<b>U0050, U0051</b>	<b>BAHDM-1110-1A *</b>
<b>U0050</b>	HDMI(MAIN) PC BOARD ASSY	BAHDM-1110-1A
<b>U0051</b>	HDMI TERMINAL PC BOARD ASS'Y	BAHDM-1111-1A

CIRCUIT	PART NAME	DESCRIPTION	Q'TY	PART NO. (SN)	REMARKS
<b>[SEMI CONDUCTOR]</b>					
D7001	C-DIODE	KDS4148U	1	223283R2	
D7001 or	C-DIODE	1SS352	(1)	223234R2	
D7001 or	C-DIODE	1SS355	(1)	223269R2	
D7001 or	C-DIODE	MA2J111	(1)	223279R2	
D7002	C-DIODE	KDS4148U	1	223283R2	
D7002 or	C-DIODE	1SS352	(1)	223234R2	
D7002 or	C-DIODE	1SS355	(1)	223269R2	
D7002 or	C-DIODE	MA2J111	(1)	223279R2	
D7003	C-DIODE	KDS4148U	1	223283R2	
D7003 or	C-DIODE	1SS352	(1)	223234R2	
D7003 or	C-DIODE	1SS355	(1)	223269R2	
D7003 or	C-DIODE	MA2J111	(1)	223279R2	
D7004	C-DIODE	KDS4148U	1	223283R2	
D7004 or	C-DIODE	1SS352	(1)	223234R2	
D7004 or	C-DIODE	1SS355	(1)	223269R2	
D7004 or	C-DIODE	MA2J111	(1)	223279R2	
D7005	C-DIODE	KDS4148U	1	223283R2	
D7005 or	C-DIODE	1SS352	(1)	223234R2	
D7005 or	C-DIODE	1SS355	(1)	223269R2	
D7005 or	C-DIODE	MA2J111	(1)	223279R2	
D7006	C-DIODE	KDS4148U	1	223283R2	
D7006 or	C-DIODE	1SS352	(1)	223234R2	
D7006 or	C-DIODE	1SS355	(1)	223269R2	
D7006 or	C-DIODE	MA2J111	(1)	223279R2	
D7007	ZENER D	DZ2J062M0L	1	224760620R2	
D7007 or	ZENER D	UDZS6.2B	(1)	224550620R2	
D7009	C-DIODE	KDS4148U	1	223283R2	
D7009 or	C-DIODE	1SS352	(1)	223234R2	

D7009 or C-DIODE	ISS355	(1)	223269R2
D7009 or C-DIODE	MA2J111	(1)	223279R2
D7010 C-DIODE	KDS4148U	1	223283R2
D7010 or C-DIODE	ISS352	(1)	223234R2
D7010 or C-DIODE	ISS355	(1)	223269R2
D7010 or C-DIODE	MA2J111	(1)	223279R2
D8001 C-DIODE	KDS4148U	1	223283R2
D8001 or C-DIODE	ISS352	(1)	223234R2
D8001 or C-DIODE	ISS355	(1)	223269R2
D8001 or C-DIODE	MA2J111	(1)	223279R2
D8002 C-DIODE	KDS4148U	1	223283R2
D8002 or C-DIODE	ISS352	(1)	223234R2
D8002 or C-DIODE	ISS355	(1)	223269R2
D8002 or C-DIODE	MA2J111	(1)	223279R2
D8003 C-DIODE	KDS4148U	1	223283R2
D8003 or C-DIODE	ISS352	(1)	223234R2
D8003 or C-DIODE	ISS355	(1)	223269R2
D8003 or C-DIODE	MA2J111	(1)	223279R2
D8102 C-DIODE	KDS4148U	1	223283R2
D8102 or C-DIODE	ISS352	(1)	223234R2
D8102 or C-DIODE	ISS355	(1)	223269R2
D8102 or C-DIODE	MA2J111	(1)	223279R2
D8103 DIODE	DAN217T146	1	223285R2
D8103 or DIODE	KDS123S	(1)	223312R2
D8145 ESD D	AOZ8804ADI	1	225502R2
D8146 ESD D	AOZ8804ADI	1	225502R2
D8301 ZENER D	DZ2J036M0L	1	224760360R2
D8301 or ZENER D	UDZS3.6B	(1)	224550360R2
D8345 ESD D	AOZ8804ADI	1	225502R2
D8346 ESD D	AOZ8804ADI	1	225502R2
D8347 DIODE	DAN217T146	1	223285R2
D8347 or DIODE	KDS123S	(1)	223312R2
D8701 C-DIODE	KDS4148U	1	223283R2
D8701 or C-DIODE	ISS352	(1)	223234R2
D8701 or C-DIODE	ISS355	(1)	223269R2
D8701 or C-DIODE	MA2J111	(1)	223279R2
D8902 C-DIODE	KDS4148U	1	223283R2
D8902 or C-DIODE	ISS352	(1)	223234R2
D8902 or C-DIODE	ISS355	(1)	223269R2
D8902 or C-DIODE	MA2J111	(1)	223279R2
D8903 C-DIODE	KDS4148U	1	223283R2
D8903 or C-DIODE	ISS352	(1)	223234R2
D8903 or C-DIODE	ISS355	(1)	223269R2
D8903 or C-DIODE	MA2J111	(1)	223279R2
D8904 C-DIODE	KDS4148U	1	223283R2
D8904 or C-DIODE	ISS352	(1)	223234R2



D8904 or C-DIODE	ISS355	(1)	223269R2	
D8904 or C-DIODE	MA2J111	(1)	223279R2	
D8906 C-DIODE	KDS4148U	1	223283R2	
D8906 or C-DIODE	ISS352	(1)	223234R2	
D8906 or C-DIODE	ISS355	(1)	223269R2	
D8906 or C-DIODE	MA2J111	(1)	223279R2	
D8907 C-DIODE	KDS4148U	1	223283R2	
D8907 or C-DIODE	ISS352	(1)	223234R2	
D8907 or C-DIODE	ISS355	(1)	223269R2	
D8907 or C-DIODE	MA2J111	(1)	223279R2	
D8962 DIODE	RB050M-30GTR	1	22380373R2	
Q1001 IC	TC7SZU04FU	1	22242512R2TO	
Q1002 IC	PCM1754DBQR	1	22242598R2	
Q1004 IC	PCM1690DCAR	1	22242599R2	
Q1005 IC	PCM9211PTR	1	22242703R2	
Q1006 IC	TC74VHC157FT	1	22274157ER2TO	
Q1090 IC	S-1172B50-U5T1G	1	22242765R2	
Q1091 IC	BU33TD3WG-TR	1	22242715R2	
Q1092 TR	KRC104S	1	2216210R2	
Q1092 or TR	RN1404	(1)	2214490R2	
Q3001 IC	D830K013BZKB400Z	1	22242694R3	
Q3002 IC(DSP)	TC58DVM92A5TA10B3H(0546)	1	222W0125R305466	N
Q3003 IC	A3V56S40FTP-G6	1	22242764R2	
Q3003 or IC	K4S561632J-UC75	(1)	22242524AR3	
Q3003 or IC	IS42S16160C-7TL	(1)	22242592R3	
Q3004 IC	A3V56S40FTP-G6	1	22242764R2	
Q3004 or IC	K4S561632J-UC75	(1)	22242524AR3	
Q3004 or IC	IS42S16160C-7TL	(1)	22242592R3	
Q3005 IC	TC7W32FU	1	22241162R2	
Q3006 IC	S-80127CNMC-JKM-T2	1	22241642R2	
Q3070 IC	BD82065FVJ	1	22242718R2	
Q3071 TR	KRC104S	1	2216210R2	
Q3071 or TR	RN1404	(1)	2214490R2	
Q3102 IC	BD82065FVJ	1	22242718R2	
Q3103 IC	BU18TD3WG-TR	1	22242716R2	
Q3105 IC	MFI341S2162	1	22242803R2	N
Q3106 IC	BU33TD3WG-TR	1	22242715R2	
Q3107 IC	BU33TD3WG-TR	1	22242715R2	
Q3108 IC	KSZ8051RNL	1	22242723R2	
Q3109 IC	S-1172B12-U5T1G	1	22242777R2	N
Q3110 IC	BD2247G-GTR	1	22242795R2	N
Q3111 TR	KRC104S	1	2216210R2	
Q3111 or TR	RN1404	(1)	2214490R2	
Q3112 TR	KRC104S	1	2216210R2	
Q3112 or TR	RN1404	(1)	2214490R2	
Q3113 TR	KRC104S	1	2216210R2	

Q3113 or TR		RN1404	(1)	2214490R2
Q3114	TR	KRC104S	1	2216210R2
Q3114 or TR		RN1404	(1)	2214490R2
Q7001	IC	BR25S640FJ	1	22242761R2
Q7001 or IC		R1EX25064ASA00A	(1)	22242581R2
Q7001 or IC		M95640-WMN6TP	(1)	22242643R2
Q7002	TR	KRA102S	1	2216220R2
Q7002 or TR		RN2402	(1)	2214530R2
Q7003	TR	KRA102S	1	2216220R2
Q7003 or TR		RN2402	(1)	2214530R2
Q7004	TR	KRA102S	1	2216220R2
Q7004 or TR		RN2402	(1)	2214530R2
Q7005	TR	KRC104S	1	2216210R2
Q7005 or TR		RN1404	(1)	2214490R2
Q7006	TR	KRC104S	1	2216210R2
Q7006 or TR		RN1404	(1)	2214490R2
Q7007	TR	KRC104S	1	2216210R2
Q7007 or TR		RN1404	(1)	2214490R2
Q7008	TR	KRC102S	1	2216190R2
Q7008 or TR		RN1402	(1)	2214470R2
Q7009	IC(MAIN MICROPROCESSOR)	MPD70F3477AGJA-GAE-G(0545)	1	222W0117R305450
Q7011	TR	KRA107S	1	2216350R2
Q7011 or TR		RN2407(TE85L_F)	(1)	2216360R2
Q7012	TR	KRA107S	1	2216350R2
Q7012 or TR		RN2407(TE85L_F)	(1)	2216360R2
Q7013	IC	SN74CB3Q3305PWR	1	22242258R2
Q7014	TR	KRC102S	1	2216190R2
Q7014 or TR		RN1402	(1)	2214470R2
Q7015	TR	KRC102S	1	2216190R2
Q7015 or TR		RN1402	(1)	2214470R2
Q7016	TR	KRC105S	1	2217290R2
Q7016 or TR		RN1405	(1)	2214500R2
Q7017	TR	KRC104S	1	2216210R2
Q7017 or TR		RN1404	(1)	2214490R2
Q7018	IC	S-812C33AUA-C2N	1	22242222R2
Q7019	IC	S-812C56AUA-C3K	1	22242207R2
Q7020	IC	S-80127CNMC-JKM-T2	1	22241642R2
Q7021	TR	KRA102S	1	2216220R2
Q7021 or TR		RN2402	(1)	2214530R2
Q7023	TR	KRC104S	1	2216210R2
Q7023 or TR		RN1404	(1)	2214490R2
Q7025	TR	2SA1162-GR	1	2214375R2
Q7025 or TR		KTA1504-GR	(1)	2216185R2
Q7026	TR	KRC104S	1	2216210R2
Q7026 or TR		RN1404	(1)	2214490R2
Q7027	TR	KRC104S	1	2216210R2

Q7027 or TR		RN1404	(1)	2214490R2	
Q8001 IC		88DE2755B0-BIF2C000	1	22242752R3	
Q8002 IC		S-1172B11-U5T1G	1	22242776R2	N
Q8010 IC		BU18TD3WG-TR	1	22242716R2	
Q8011 IC		S-1172B15-U5T1G	1	22242778R2	N
Q8012 IC		TPSS1100DGQR	1	22242711R2	
Q8030 IC		TC7WHU04FU(TE12L)	1	22242231R2	
Q8031 IC		NC7SZ08P5X_F042	1	22242482R2	
Q8032 IC		SN74CB3T3306DCT	1	22242454R2	
Q8040 IC(VSP)		W25Q128BVF1G(0548)	1	222W0116R20548A	
Q8041 IC		TC74LCX125FT(EL_K)	1	22274125BR2TO	
Q8050 IC		MM3404A50NRE	1	22242701R2	
Q8051 TR		KRC104S	1	2216210R2	
Q8051 or TR		RN1404	(1)	2214490R2	
Q8080 IC		K4B1G1646G-BCK0	1	22242710R3	
Q8201 IC		PS331TQFP64G	1	22242788R3	N
Q8202 IC		ADV7180KCP32Z	1	22242763R3	N
Q8203 IC		BU18TD3WG-TR	1	22242716R2	
Q8205 IC		BU18TD3WG-TR	1	22242716R2	
Q8206 TR		KRC104S	1	2216210R2	
Q8206 or TR		RN1404	(1)	2214490R2	
Q8207 TR		KRC104S	1	2216210R2	
Q8207 or TR		RN1404	(1)	2214490R2	
Q8302 IC		SI19573CTUC	1	22242762R3	
Q8303 TR		2SA1162-GR	1	2214375R2	
Q8303 or TR		KTA1504-GR	(1)	2216185R2	
Q8307 IC		XC6221B132MR	1	22242809R2	
Q8308 TR		RN2401(TE85L_F)	1	2214520R2	
Q8308 or TR		KRA101S	(1)	2217840R2	
Q8309 TR		KRC104S	1	2216210R2	
Q8309 or TR		RN1404	(1)	2214490R2	
Q8310 TR		RN2401(TE85L_F)	1	2214520R2	
Q8310 or TR		KRA101S	(1)	2217840R2	
Q8311 TR		KRC104S	1	2216210R2	
Q8311 or TR		RN1404	(1)	2214490R2	
Q8680 TR		KRC104S	1	2216210R2	
Q8680 or TR		RN1404	(1)	2214490R2	
Q8681 IC		SI11292CNUC	1	22242786R3	N
Q8682 IC		TMDS141RHARG4	1	22242586R2	
Q8683 IC		S-1172B12-U5T1G	1	22242777R2	N
Q8684 IC		MMBFJ177LT1G	1	22242789R2	N
Q8685 TR ARRAY		UM6KIN	1	226066R2	
Q8685 or TR ARRAY		UPA672T	(1)	226067R2	
Q8685 or TR ARRAY		RT3K66M-T111-1	(1)	226069R2	
Q8686 IC		BD2247G-GTR	1	22242795R2	N
Q8687 IC		NC7SZ08P5X_F042	1	22242482R2	

Q8688	TR	RN2401(TE85L_F)	1	2214520R2	
Q8688 or	TR	KRA101S	(1)	2217840R2	
Q8689	TR	KRC104S	1	2216210R2	
Q8689 or	TR	RN1404	(1)	2214490R2	
Q8690	IC	BU33TD3WG-TR	1	22242715R2	
Q8691	TR	RN2401(TE85L_F)	1	2214520R2	
Q8691 or	TR	KRA101S	(1)	2217840R2	
Q8692	TR	2SC2712-GR	1	2213145R2	
Q8692 or	TR	KTC3875-GR	(1)	2216175R2	
Q8693	IC	MM3404A50NRE	1	22242701R2	
Q8701	IC(HDMI/VIDEO)	TMPM361F10FG(0547)	1	222W0115R305475	
Q8702	TR ARRAY	UM6K1N	1	226066R2	
Q8702 or	TR ARRAY	UPA672T	(1)	226067R2	
Q8702 or	TR ARRAY	RT3K66M-T111-1	(1)	226069R2	
Q8710	TR	2SC2712-GR	1	2213145R2	
Q8710 or	TR	KTC3875-GR	(1)	2216175R2	
Q8711	TR	2SA1200-Y(2LONK,ZE)	1	2217584R2	
Q8711 or	TR	KTA1661-Y-RTF/P	(1)	2217864R2	N
Q8901	IC	TC74VHCT08AFT	1	22274008GR2TO	
Q8901 or	IC	TC74VHCT08AFT (EKJ)	(1)	22274008G1R2TO	
Q8911	TR	KRC104S	1	2216210R2	
Q8911 or	TR	RN1404	(1)	2214490R2	
Q8931	IC	MP2303ADN-LF-Z	1	22242785R2	N
Q8941	IC	MP2303ADN-LF-Z	1	22242785R2	N
Q8951	IC	MP2303ADN-LF-Z	1	22242785R2	N
Q8961	IC	MP2303ADN-LF-Z	1	22242785R2	N
<b>[TRANS COIL]</b>					
L1001	CORE	BLM18PG181SN1D	1	2350005R1	
L1002	CHOKE COIL	LBC2518T4R7M	1	231364M047R2	
L1003	EMIFIL	BK1608LL241-T	1	230959R1	
L1004	EMIFIL	BK1608LL241-T	1	230959R1	
L1005	EMIFIL	BK1608LL241-T	1	230959R1	
L1006	EMIFIL	BK1608LL241-T	1	230959R1	
L1007	EMIFIL	BK1608LL241-T	1	230959R1	
L1009	CHOKE COIL	LBC2518T4R7M	1	231364M047R2	
L1010	CHOKE COIL	LBC2518T4R7M	1	231364M047R2	
L1011	CHOKE COIL	LBC2518T4R7M	1	231364M047R2	
L1012	CHOKE COIL	LBC2518T4R7M	1	231364M047R2	
L1013	CHOKE COIL	LBC2518T4R7M	1	231364M047R2	
L1014	CORE	BLM18PG181SN1D	1	2350005R1	
L1090	CORE	BLM18PG181SN1D	1	2350005R1	
L3001	CORE	BLM18PG121SN1D	1	2350006R1	
L3002	CORE	BLM18PG121SN1D	1	2350006R1	
L3003	CORE	BLM18PG121SN1D	1	2350006R1	
L3004	CORE	BLM18PG121SN1D	1	2350006R1	
L3005	CORE	BLM18PG121SN1D	1	2350006R1	

L3101	CORE	DLP11SA900HL2L	1	2350021R2
L3103	CORE	BLM18PG121SN1D	1	2350006R1
L3104	CORE	BLM18PG121SN1D	1	2350006R1
L3105	CORE	BLM18PG121SN1D	1	2350006R1
L3106	CORE	BLM18PG121SN1D	1	2350006R1
L3107	CORE	BLM18PG121SN1D	1	2350006R1
L3108	CORE	BLM18PG121SN1D	1	2350006R1
L3109	CORE	BLM18PG121SN1D	1	2350006R1
L3110	CORE	BLM18PG121SN1D	1	2350006R1
L3111	CORE	BLM18PG121SN1D	1	2350006R1
L3112	CORE	DLP11SA900HL2L	1	2350021R2
L3114	CORE	BLM18PG121SN1D	1	2350006R1
L3120	CORE	BLM18PG181SN1D	1	2350005R1
L3145	CORE	DLP2ADN900HL4L	1	230990R2
L3203	EMIFIL	BK1608LL241-T	1	230959R1
L3209	EMIFIL	BK1608LL241-T	1	230959R1
L7001	CORE	BLM18PG181SN1D	1	2350005R1
L7003	CHOKE COIL	BLM21PG221SN1	1	230949R2
L7004	CORE	BLM18PG181SN1D	1	2350005R1
L7006	CORE	BLM18PG181SN1D	1	2350005R1
L7007	CORE	BLM18PG181SN1D	1	2350005R1
L8001	CORE	BLM18PG181SN1D	1	2350005R1
L8002	CORE	BLM18PG181SN1D	1	2350005R1
L8003	CORE	BLM18PG181SN1D	1	2350005R1
L8004	CORE	BLM18PG181SN1D	1	2350005R1
L8005	CORE	BLM18PG181SN1D	1	2350005R1
L8006	CORE	BLM18PG121SN1D	1	2350006R1
L8007	CORE	BLM18PG181SN1D	1	2350005R1
L8008	CORE	BLM18PG181SN1D	1	2350005R1
L8009	CORE	BLM18PG181SN1D	1	2350005R1
L8010	CORE	BLM18PG181SN1D	1	2350005R1
L8011	CORE	BLM18PG181SN1D	1	2350005R1
L8012	CORE	BLM18PG181SN1D	1	2350005R1
L8013	CORE	BLM18PG181SN1D	1	2350005R1
L8015	CORE	BLM18PG181SN1D	1	2350005R1
L8016	CORE	BLM18PG181SN1D	1	2350005R1
L8081	CORE	BLM18PG181SN1D	1	2350005R1
L8082	C-R NET	MNR12E0APJ000	1	43464900002R2
L8082 or	C-R NET	YCN162-000-ZL	(1)	43464B00002R1
L8083	C-R NET	MNR12E0APJ000	1	43464900002R2
L8083 or	C-R NET	YCN162-000-ZL	(1)	43464B00002R1
L8084	C-R NET	MNR12E0APJ000	1	43464900002R2
L8084 or	C-R NET	YCN162-000-ZL	(1)	43464B00002R1
L8085	C-R NET	MNR12E0APJ000	1	43464900002R2
L8085 or	C-R NET	YCN162-000-ZL	(1)	43464B00002R1
L8086	CORE	BLM18PG181SN1D	1	2350005R1

L8202	CORE	BLM18PG181SN1D	1	2350005R1	
L8203	CORE	BLM18PG181SN1D	1	2350005R1	
L8205	CORE	BLM18PG181SN1D	1	2350005R1	
L8206	CORE	BLM18PG181SN1D	1	2350005R1	
L8207	CORE	BLM18PG181SN1D	1	2350005R1	
L8210	CORE	BLM18PG181SN1D	1	2350005R1	
L8302	CORE	BLM18PG181SN1D	1	2350005R1	
L8303	CORE	BLM18PG181SN1D	1	2350005R1	
L8304	CORE	BLM18PG181SN1D	1	2350005R1	
L8305	CORE	BLM18PG181SN1D	1	2350005R1	
L8306	CORE	BLM18PG181SN1D	1	2350005R1	
L8307	CORE	BLM18PG181SN1D	1	2350005R1	
L8308	CORE	BLM18PG181SN1D	1	2350005R1	
L8309	EMIFIL	BK1608LL241-T	1	230959R1	
L8601	CORE	BLM18PG181SN1D	1	2350005R1	
L8681	CORE	BLM18PG181SN1D	1	2350005R1	
L8682	CORE	BLM18PG181SN1D	1	2350005R1	
L8684	CORE	BLM18PG181SN1D	1	2350005R1	
L8685	CORE	BLM18PG181SN1D	1	2350005R1	
L8686	CORE	BLM18PG181SN1D	1	2350005R1	
L8687	CORE	BLM18PG181SN1D	1	2350005R1	
L8688	CORE	BLM18PG181SN1D	1	2350005R1	
L8701	CORE	BLM18PG181SN1D	1	2350005R1	
L8710	CORE	BLM18PG181SN1D	1	2350005R1	
L8931	CHOKE COIL	BLM21PG221SN1	1	230949R2	
L8932	CHOKE COIL	1264EY-100M=P3	1	231447M100R2	
L8933	CHOKE COIL	BLM21PG221SN1	1	230949R2	
L8934	CHOKE COIL	BLM21PG221SN1	1	230949R2	
L8941	CHOKE COIL	BLM21PG221SN1	1	230949R2	
L8942	CHOKE COIL	1264EY-100M=P3	1	231447M100R2	
L8943	CHOKE COIL	BLM21PG221SN1	1	230949R2	
L8944	CHOKE COIL	BLM21PG221SN1	1	230949R2	
L8951	CHOKE COIL	BLM21PG221SN1	1	230949R2	
L8952	CHOKE COIL	1264EY-100M=P3	1	231447M100R2	
L8953	CHOKE COIL	BLM21PG221SN1	1	230949R2	
L8954	CHOKE COIL	BLM21PG221SN1	1	230949R2	
L8961	CHOKE COIL	BLM21PG221SN1	1	230949R2	
L8962	CHOKE COIL	1264EY-100M=P3	1	231447M100R2	
L8963	CHOKE COIL	BLM21PG221SN1	1	230949R2	
L8964	CHOKE COIL	BLM21PG221SN1	1	230949R2	
L8965	CORE	BLM18PG181SN1D	1	2350005R1	
X1001	CRYSTAL	HC-49S 9C11.2896M	1	3010513R2	N
X1002	CRYSTAL	HC-49S 9C24.5760M	1	3010516R2	N
X3001	CRYSTAL	HC-49S 9C20.0000M	1	3010514R2	N
X7001	CERA LOCK	CSTCR5M00G53-B0	1	3010356R2	
X8001	CRYSTAL	HC-49S 9C20.0000M	1	3010514R2	N



X8201	CRYSTAL	HC-49S 9C28.6363M	1	3010519R2	N
X8301	CRYSTAL	HC-49S 9C27.0000M	1	3010518R2	N
X8701	CERA LOCK	CSTCE8M00G55-R0	1	3010416R2	
<b>[CAPACITOR]</b>					
C1001	C-CERA C	CK725B1C-104K0	1	332011045R1	
C1003	C-CERA C	CK732B16V-106K	1	332071065R2	
C1004	C-CERA C	CK732B16V-106K	1	332071065R2	
C1005	C-CERA C	CK725B1C-104K0	1	332011045R1	
C1006	C-CERA C	CK725B1C-104K0	1	332011045R1	
C1007	C-CERA C	CK732B16V-106K	1	332071065R2	
C1008	C-CERA C	CC725CH1H-180J0	1	342031804R1	
C1009	C-CERA C	CC725CH1H-180J0	1	342031804R1	
C1011	C-CERA C	CK725B1C-104K0	1	332011045R1	
C1012	CHIP ELECT C	CEWX4V-220M	1	3981G2217R2	
C1013	C-CERA C	CK725B1C-104K0	1	332011045R1	
C1014	C-CERA C	CK725B1C-104K0	1	332011045R1	
C1015	CHIP ELECT C	CEWX16V-47M	1	398144707R2	
C1016	C-CERA C	CK725B1C-104K0	1	332011045R1	
C1017	CHIP ELECT C	CEWX16V-100M	1	398141017R2	
C1018	C-CERA C	CK725B1C-104K0	1	332011045R1	
C1019	C-CERA C	CK732B16V-106K	1	332071065R2	
C1020	CHIP ELECT C	CEWX4V-220M	1	3981G2217R2	
C1021	C-CERA C	CK725B1H-472K0	1	332034725R1	
C1022	CHIP ELECT C	CEWX16V-47M	1	398144707R2	
C1023	CHIP ELECT C	CEWX16V-100M	1	398141017R2	
C1024	C-CERA C	CK732B16V-106K	1	332071065R2	
C1025	C-CERA C	CK725B1E-223K0	1	332022235R1	
C1026	C-CERA C	CK725B1E-473K0	1	332024735R1	
C1027	CHIP ELECT C	CEWX4V-220M	1	3981G2217R2	
C1028	C-CERA C	CC725CH1H-150J0	1	342031504R1	
C1029	C-CERA C	CC725CH1H-180J0	1	342031804R1	
C1030	C-CERA C	CK732B16V-106K	1	332071065R2	
C1031	C-CERA C	CK725B1H-102K0	1	332031025R1	
C1032	C-CERA C	CK725B1C-104K0	1	332011045R1	
C1033	C-CERA C	CK732B16V-106K	1	332071065R2	
C1090	C-CERA C	CK732B16V-106K	1	332071065R2	
C1091	C-CERA C	CK725B0J-226M	1	332092267R2	
C1092	C-CERA C	CK732B16V-106K	1	332071065R2	
C1093	C-CERA C	CK732B16V-106K	1	332071065R2	
C1094	C-CERA C	CK732B16V-106K	1	332071065R2	
C3001	C-CERA C	CK725B1A-105K0	1	332001055R1	
C3002	C-CERA C	CK725B1A-105K0	1	332001055R1	
C3003	C-CERA C	CK732B16V-106K	1	332071065R2	
C3004	C-CERA C	CK732B16V-106K	1	332071065R2	
C3005	C-CERA C	CK725B1A-105K0	1	332001055R1	
C3006	C-CERA C	CK725B1H-102K0	1	332031025R1	

C3007	C-CERA C	CK725B1A-105K0	1	332001055R1
C3008	C-CERA C	CK725B1H-102K0	1	332031025R1
C3009	C-CERA C	CK725B1A-105K0	1	332001055R1
C3010	C-CERA C	CK725B1A-105K0	1	332001055R1
C3011	C-CERA C	CK725B1A-105K0	1	332001055R1
C3012	C-CERA C	CK725B1H-102K0	1	332031025R1
C3013	C-CERA C	CK725B1A-105K0	1	332001055R1
C3014	C-CERA C	CK725B1H-102K0	1	332031025R1
C3015	C-CERA C	CK725B1H-102K0	1	332031025R1
C3016	C-CERA C	CK725B1A-105K0	1	332001055R1
C3017	C-CERA C	CK725B1A-105K0	1	332001055R1
C3018	C-CERA C	CK725B1A-105K0	1	332001055R1
C3019	C-CERA C	CK725B1H-102K0	1	332031025R1
C3020	C-CERA C	CK725B1A-105K0	1	332001055R1
C3021	C-CERA C	CK725B1A-105K0	1	332001055R1
C3022	C-CERA C	CK725B1A-105K0	1	332001055R1
C3023	C-CERA C	CK732B16V-106K	1	332071065R2
C3024	C-CERA C	CK725B1H-102K0	1	332031025R1
C3025	C-CERA C	CK725B1A-105K0	1	332001055R1
C3026	C-CERA C	CK725B1C-104K0	1	332011045R1
C3027	C-CERA C	CK725B1H-102K0	1	332031025R1
C3028	C-CERA C	CK725B1A-105K0	1	332001055R1
C3029	C-CERA C	CK725B1H-102K0	1	332031025R1
C3030	C-CERA C	CK725B1A-105K0	1	332001055R1
C3031	C-CERA C	CK725B1A-105K0	1	332001055R1
C3032	C-CERA C	CK725B1H-102K0	1	332031025R1
C3033	C-CERA C	CK725B1A-105K0	1	332001055R1
C3034	C-CERA C	CC725CH1H-270J0	1	342032704R1
C3035	C-CERA C	CK725B1H-102K0	1	332031025R1
C3036	C-CERA C	CC725CH1H-270J0	1	342032704R1
C3037	C-CERA C	CK725B1A-105K0	1	332001055R1
C3038	C-CERA C	CK725B1A-105K0	1	332001055R1
C3039	C-CERA C	CK725B1E-103K0	1	332021035R1
C3040	C-CERA C	CK725B1A-105K0	1	332001055R1
C3041	C-CERA C	CK732B16V-106K	1	332071065R2
C3042	C-CERA C	CK725B1A-105K0	1	332001055R1
C3043	C-CERA C	CK725B1A-105K0	1	332001055R1
C3070	C-CERA C	CK725B0J-226M	1	332092267R2
C3071	C-CERA C	CK725B0J-226M	1	332092267R2
C3101	C-CERA C	CK732B16V-106K	1	332071065R2
C3103	C-CERA C	CK725B1H-102K0	1	332031025R1
C3104	C-CERA C	CK725B0J-226M	1	332092267R2
C3105	C-CERA C	CK725B1A-105K0	1	332001055R1
C3106	C-CERA C	CK732B16V-106K	1	332071065R2
C3107	C-CERA C	CK725B1A-105K0	1	332001055R1
C3108	C-CERA C	CK725B1A-105K0	1	332001055R1

C3109	C-CERA C	CK732B16V-106K	1	332071065R2
C3110	C-CERA C	CK725B1A-224K0	1	332002245R1
C3111	C-CERA C	CK732B16V-106K	1	332071065R2
C3112	C-CERA C	CK732B16V-106K	1	332071065R2
C3113	C-CERA C	CK725B1A-105K0	1	332001055R1
C3114	C-CERA C	CK725B1A-105K0	1	332001055R1
C3115	C-CERA C	CK732B16V-106K	1	332071065R2
C3116	C-CERA C	CK732B16V-106K	1	332071065R2
C3117	C-CERA C	CK725B1H-102K0	1	332031025R1
C3118	C-CERA C	CK725B1A-105K0	1	332001055R1
C3119	C-CERA C	CK725B1A-105K0	1	332001055R1
C3120	C-CERA C	CK732B16V-106K	1	332071065R2
C3121	C-CERA C	CK725B1A-105K0	1	332001055R1
C3122	C-CERA C	CK725B1A-105K0	1	332001055R1
C3123	C-CERA C	CK725B1A-105K0	1	332001055R1
C3124	C-CERA C	CK732B16V-106K	1	332071065R2
C3125	C-CERA C	CK725B1A-105K0	1	332001055R1
C3126	C-CERA C	CK732B16V-106K	1	332071065R2
C3127	C-CERA C	CK725B1A-105K0	1	332001055R1
C3128	C-CERA C	CK725B1A-105K0	1	332001055R1
C3129	C-CERA C	CK725B1A-105K0	1	332001055R1
C3130	C-CERA C	CK732B16V-106K	1	332071065R2
C3131	C-CERA C	CK725B1A-105K0	1	332001055R1
C3132	C-CERA C	CC725CH1H-101J0	1	342031014R1
C3133	C-CERA C	CK725B1A-105K0	1	332001055R1
C3136	C-CERA C	CK725B1A-105K0	1	332001055R1
C3137	C-CERA C	CK725B1A-105K0	1	332001055R1
C3138	C-CERA C	CK725B1A-105K0	1	332001055R1
C3139	C-CERA C	CK725B1A-105K0	1	332001055R1
C3140	C-CERA C	CK725B1A-105K0	1	332001055R1
C3141	C-CERA C	CK725B1C-104K0	1	332011045R1
C3142	C-CERA C	CK725B1A-105K0	1	332001055R1
C3143	C-CERA C	CK725B1A-105K0	1	332001055R1
C3144	C-CERA C	CK725B1A-105K0	1	332001055R1
C3145	C-CERA C	CK732B16V-106K	1	332071065R2
C3148	C-CERA C	CK725B1C-104K0	1	332011045R1
C3149	C-CERA C	CK725B1H-102K0	1	332031025R1
C3150	C-CERA C	CK725B0J-226M	1	332092267R2
C3152	C-CERA C	CK725B0J-226M	1	332092267R2
C3153	C-CERA C	CK732B16V-106K	1	332071065R2
C3154	C-CERA C	CK725B1A-105K0	1	332001055R1
C3155	C-CERA C	CK732B16V-106K	1	332071065R2
C3156	C-CERA C	CK725B1A-105K0	1	332001055R1
C3157	C-CERA C	CK725B1A-105K0	1	332001055R1
C3158	C-CERA C	CK725B1A-105K0	1	332001055R1
C3159	C-CERA C	CK725B1A-105K0	1	332001055R1

C3160	C-CERA C	CK725B1A-105K0	1	332001055R1
C3161	C-CERA C	CK725B1A-105K0	1	332001055R1
C3162	C-CERA C	CK725B1H-102K0	1	332031025R1
C3163	C-CERA C	CK732B16V-106K	1	332071065R2
C3164	C-CERA C	CK725B1H-102K0	1	332031025R1
C3165	C-CERA C	CK725B0J-226M	1	332092267R2
C3166	C-CERA C	CK732B16V-106K	1	332071065R2
C3170	C-CERA C	CK725B1H-102K0	1	332031025R1
C3201	C-CERA C	CK732B16V-106K	1	332071065R2
C3202	C-CERA C	CK732B16V-106K	1	332071065R2
C7002	C-CERA C	CK725B1H-102K0	1	332031025R1
C7003	C-CERA C	CK725B1H-102K0	1	332031025R1
C7004	C-CERA C	CK725B1C-104K0	1	332011045R1
C7005	C-CERA C	CK725B1C-104K0	1	332011045R1
C7006	CHIP ELECT C	CEWT6.3V-470M	1	395724717R2
C7008	C-CERA C	CK732B1C-474K	1	337394745R1
C7009	C-CERA C	CK725B1A-105K0	1	332001055R1
C7010	C-CERA C	CK732B1C-474K	1	337394745R1
C7011	C-CERA C	CK725B1A-105K0	1	332001055R1
C7012	C-CERA C	CK732B1C-474K	1	337394745R1
C7013	C-CERA C	CK725B1A-105K0	1	332001055R1
C7015	C-CERA C	CK725B1C-104K0	1	332011045R1
C7016	C-CERA C	CK725B1C-104K0	1	332011045R1
C7017	C-CERA C	CK725B1C-104K0	1	332011045R1
C7018	C-CERA C	CK725B1C-104K0	1	332011045R1
C7019	C-CERA C	CK725B1C-104K0	1	332011045R1
C7020	C-CERA C	CK732B16V-106K	1	332071065R2
C7030	C-CERA C	CK725B1H-102K0	1	332031025R1
C7031	C-CERA C	CK725B1H-102K0	1	332031025R1
C7032	C-CERA C	CK725B1C-104K0	1	332011045R1
C7033	C-CERA C	CC725CH1H-101J0	1	342031014R1
C7034	C-CERA C	CC725CH1H-101J0	1	342031014R1
C7035	C-CERA C	CK725B1C-104K0	1	332011045R1
C7036	C-CERA C	CK725B1C-104K0	1	332011045R1
C7037	C-CERA C	CK725B0J-226M	1	332092267R2
C7038	C-CERA C	CK732B16V-106K	1	332071065R2
C7039	C-CERA C	CK732B16V-106K	1	332071065R2
C7040	C-CERA C	CK732B16V-106K	1	332071065R2
C7041	C-CERA C	CK732B16V-106K	1	332071065R2
C7042	C-CERA C	CK725B1C-104K0	1	332011045R1
C7043	C-CERA C	CK725B1C-104K0	1	332011045R1
C7044	C-CERA C	CK725B1C-104K0	1	332011045R1
C7045	C-CERA C	CK725B1C-104K0	1	332011045R1
C7050	C-CERA C	CK732B1C-474K	1	337394745R1
C7051	C-CERA C	CK725B1A-105K0	1	332001055R1
C7301	C-CERA C	CK725B1H-102K0	1	332031025R1

C7302	C-CERA C	CK725B1H-102K0	1	332031025R1
C7303	C-CERA C	CK725B1H-102K0	1	332031025R1
C7304	C-CERA C	CK725B1H-102K0	1	332031025R1
C7310	C-CERA C	CK725B1A-105K0	1	332001055R1
C7313	C-CERA C	CK725B1H-102K0	1	332031025R1
C8001	C-CERA C	CK725B1H-102K0	1	332031025R1
C8002	C-CERA C	CK732B16V-106K	1	332071065R2
C8003	C-CERA C	CK732B16V-106K	1	332071065R2
C8004	C-CERA C	CK725B1C-104K0	1	332011045R1
C8005	C-CERA C	CK732B16V-106K	1	332071065R2
C8006	C-CERA C	CK725B1C-104K0	1	332011045R1
C8007	C-CERA C	CK732B16V-106K	1	332071065R2
C8008	C-CERA C	CK725B0J-226M	1	332092267R2
C8011	C-CERA C	CK732B16V-106K	1	332071065R2
C8012	C-CERA C	CK732B16V-106K	1	332071065R2
C8013	C-CERA C	CK732B16V-106K	1	332071065R2
C8014	C-CERA C	CK725B1A-105K0	1	332001055R1
C8015	C-CERA C	CK725B1A-105K0	1	332001055R1
C8016	C-CERA C	CK725B1A-105K0	1	332001055R1
C8017	C-CERA C	CK725B1A-105K0	1	332001055R1
C8018	C-CERA C	CK725B1C-104K0	1	332011045R1
C8019	C-CERA C	CK725B1C-104K0	1	332011045R1
C8020	C-CERA C	CK725B1C-104K0	1	332011045R1
C8021	C-CERA C	CK725B1C-104K0	1	332011045R1
C8022	C-CERA C	CK725B1C-104K0	1	332011045R1
C8023	C-CERA C	CK725B1C-104K0	1	332011045R1
C8024	C-CERA C	CK725B1C-104K0	1	332011045R1
C8026	C-CERA C	CK732B16V-106K	1	332071065R2
C8027	C-CERA C	CK732B16V-106K	1	332071065R2
C8028	C-CERA C	CK725B1A-105K0	1	332001055R1
C8029	C-CERA C	CK725B1A-105K0	1	332001055R1
C8030	C-CERA C	CK725B1A-105K0	1	332001055R1
C8031	C-CERA C	CK725B1C-104K0	1	332011045R1
C8032	C-CERA C	CK725B1C-104K0	1	332011045R1
C8033	C-CERA C	CK725B1C-104K0	1	332011045R1
C8034	C-CERA C	CK725B1C-104K0	1	332011045R1
C8036	C-CERA C	CK732B16V-106K	1	332071065R2
C8037	C-CERA C	CK732B16V-106K	1	332071065R2
C8038	C-CERA C	CK725B1A-105K0	1	332001055R1
C8039	C-CERA C	CK725B1A-105K0	1	332001055R1
C8040	C-CERA C	CK725B1A-105K0	1	332001055R1
C8041	C-CERA C	CK725B1A-105K0	1	332001055R1
C8042	C-CERA C	CK725B1C-104K0	1	332011045R1
C8043	C-CERA C	CK725B1C-104K0	1	332011045R1
C8044	C-CERA C	CK725B1C-104K0	1	332011045R1
C8045	C-CERA C	CK725B1C-104K0	1	332011045R1

C8046	C-CERA C	CK725B1C-104K0	1	332011045R1
C8047	C-CERA C	CK725B1C-104K0	1	332011045R1
C8050	C-CERA C	CK732B16V-106K	1	332071065R2
C8051	C-CERA C	CK732B16V-106K	1	332071065R2
C8052	C-CERA C	CK725B1A-105K0	1	332001055R1
C8053	C-CERA C	CK725B1A-105K0	1	332001055R1
C8054	C-CERA C	CK725B1C-104K0	1	332011045R1
C8055	C-CERA C	CK725B1C-104K0	1	332011045R1
C8056	C-CERA C	CK725B1C-104K0	1	332011045R1
C8058	C-CERA C	CK725B1C-104K0	1	332011045R1
C8059	C-CERA C	CK725B1C-104K0	1	332011045R1
C8060	C-CERA C	CK732B16V-106K	1	332071065R2
C8061	C-CERA C	CK732B16V-106K	1	332071065R2
C8062	C-CERA C	CK725B1A-105K0	1	332001055R1
C8063	C-CERA C	CK725B1C-104K0	1	332011045R1
C8064	C-CERA C	CK725B1C-104K0	1	332011045R1
C8065	C-CERA C	CK725B1C-104K0	1	332011045R1
C8066	C-CERA C	CK732B16V-106K	1	332071065R2
C8067	C-CERA C	CK732B16V-106K	1	332071065R2
C8068	C-CERA C	CK725B1A-105K0	1	332001055R1
C8069	C-CERA C	CK725B1C-104K0	1	332011045R1
C8070	C-CERA C	CK725B1C-104K0	1	332011045R1
C8071	C-CERA C	CK725B1C-104K0	1	332011045R1
C8072	C-CERA C	CK732B16V-106K	1	332071065R2
C8073	C-CERA C	CK732B16V-106K	1	332071065R2
C8074	C-CERA C	CK732B16V-106K	1	332071065R2
C8075	C-CERA C	CK732B16V-106K	1	332071065R2
C8076	C-CERA C	CK732B16V-106K	1	332071065R2
C8078	C-CERA C	CK732B16V-106K	1	332071065R2
C8079	C-CERA C	CK732B16V-106K	1	332071065R2
C8080	C-CERA C	CK732B16V-106K	1	332071065R2
C8081	C-CERA C	CK732B16V-106K	1	332071065R2
C8082	C-CERA C	CK725B1A-105K0	1	332001055R1
C8083	C-CERA C	CK725B1A-105K0	1	332001055R1
C8084	C-CERA C	CK725B1A-105K0	1	332001055R1
C8085	C-CERA C	CK725B1A-105K0	1	332001055R1
C8086	C-CERA C	CK725B1A-105K0	1	332001055R1
C8087	C-CERA C	CK725B1A-105K0	1	332001055R1
C8088	C-CERA C	CK725B1A-105K0	1	332001055R1
C8089	C-CERA C	CK725B1A-105K0	1	332001055R1
C8090	C-CERA C	CK725B1A-105K0	1	332001055R1
C8091	C-CERA C	CK725B1A-105K0	1	332001055R1
C8092	C-CERA C	CK725B1A-105K0	1	332001055R1
C8093	C-CERA C	CK725B1A-105K0	1	332001055R1
C8094	C-CERA C	CK725B1A-105K0	1	332001055R1
C8095	C-CERA C	CK732B16V-106K	1	332071065R2

C8096	C-CERA C	CK725B1A-105K0	1	332001055R1
C8097	C-CERA C	CK732B16V-106K	1	332071065R2
C8098	C-CERA C	CK725B1A-105K0	1	332001055R1
C8100	C-CERA C	CK725B1H-102K0	1	332031025R1
C8101	C-CERA C	CK725B1H-102K0	1	332031025R1
C8103	C-CERA C	CK725B1A-105K0	1	332001055R1
C8104	C-CERA C	CK725B0J-226M	1	332092267R2
C8105	C-CERA C	CK725B1A-105K0	1	332001055R1
C8106	C-CERA C	CK725B1A-105K0	1	332001055R1
C8107	C-CERA C	CK725B1C-104K0	1	332011045R1
C8108	C-CERA C	CK725B1C-104K0	1	332011045R1
C8109	C-CERA C	CK725B1A-105K0	1	332001055R1
C8110	C-CERA C	CK725B1A-105K0	1	332001055R1
C8111	C-CERA C	CC725CH1H-101J0	1	342031014R1
C8112	C-CERA C	CK725B1C-104K0	1	332011045R1
C8113	C-CERA C	CK725B1C-104K0	1	332011045R1
C8114	C-CERA C	CC725CH1H-080C0	1	342030801R1
C8115	C-CERA C	CK725B1C-104K0	1	332011045R1
C8116	C-CERA C	CC725CH1H-220J0	1	342032204R1
C8117	C-CERA C	CC725CH1H-220J0	1	342032204R1
C8124	C-CERA C	CK725B1C-104K0	1	332011045R1
C8125	C-CERA C	CK725B1H-102K0	1	332031025R1
C8126	C-CERA C	CK725B0J-226M	1	332092267R2
C8128	C-CERA C	CK732B16V-106K	1	332071065R2
C8201	C-CERA C	CK725B1A-105K0	1	332001055R1
C8202	C-CERA C	CK725B1E-103K0	1	332021035R1
C8203	C-CERA C	CK725B1C-104K0	1	332011045R1
C8204	C-CERA C	CK725B1E-103K0	1	332021035R1
C8205	C-CERA C	CK725B1C-104K0	1	332011045R1
C8206	C-CERA C	CK725B1C-104K0	1	332011045R1
C8207	C-CERA C	CK725B1E-103K0	1	332021035R1
C8208	C-CERA C	CK725B1C-104K0	1	332011045R1
C8210	C-CERA C	CK725B1C-104K0	1	332011045R1
C8211	C-CERA C	CK725B1C-104K0	1	332011045R1
C8212	C-CERA C	CK725B1E-103K0	1	332021035R1
C8213	C-CERA C	CK725B1E-103K0	1	332021035R1
C8214	C-CERA C	CK725B1C-104K0	1	332011045R1
C8216	C-CERA C	CK725B1H-102K0	1	332031025R1
C8217	C-CERA C	CK725B1A-105K0	1	332001055R1
C8219	C-CERA C	CK725B1E-103K0	1	332021035R1
C8220	C-CERA C	CK725B1C-104K0	1	332011045R1
C8221	C-CERA C	CK725B1E-103K0	1	332021035R1
C8222	C-CERA C	CK725B1C-104K0	1	332011045R1
C8223	C-CERA C	CK725B1C-104K0	1	332011045R1
C8224	C-CERA C	CK725B1C-104K0	1	332011045R1
C8225	C-CERA C	CK725B1C-104K0	1	332011045R1



C8227	C-CERA C	CK725B1C-104K0	1	332011045R1
C8229	C-CERA C	CK725B1E-103K0	1	332021035R1
C8230	C-CERA C	CK725B1C-104K0	1	332011045R1
C8231	C-CERA C	CK725B1C-104K0	1	332011045R1
C8232	C-CERA C	CK725B1E-103K0	1	332021035R1
C8233	C-CERA C	CK725B1C-104K0	1	332011045R1
C8236	C-CERA C	CC725CH1H-150J0	1	342031504R1
C8237	C-CERA C	CC725CH1H-120J0	1	342031204R1
C8238	C-CERA C	CK725B1A-105K0	1	332001055R1
C8239	C-CERA C	CK725B1E-103K0	1	332021035R1
C8240	C-CERA C	CK725B1C-683K0	1	332016835R1
C8241	C-CERA C	CK725B1E-153K0	1	332021535R1
C8243	C-CERA C	CK732B16V-106K	1	332071065R2
C8245	C-CERA C	CK732B16V-106K	1	332071065R2
C8247	C-CERA C	CK732B16V-106K	1	332071065R2
C8248	C-CERA C	CK732B16V-106K	1	332071065R2
C8249	C-CERA C	CK725B1H-102K0	1	332031025R1
C8250	C-CERA C	CK732B16V-106K	1	332071065R2
C8251	C-CERA C	CK725B1C-104K0	1	332011045R1
C8252	C-CERA C	CK725B1E-103K0	1	332021035R1
C8253	C-CERA C	CK725B1E-103K0	1	332021035R1
C8254	C-CERA C	CK725B1E-103K0	1	332021035R1
C8255	C-CERA C	CK732B16V-106K	1	332071065R2
C8256	C-CERA C	CK725B1A-105K0	1	332001055R1
C8257	C-CERA C	CK732B16V-106K	1	332071065R2
C8258	C-CERA C	CK725B1E-103K0	1	332021035R1
C8259	C-CERA C	CK725B1E-103K0	1	332021035R1
C8260	C-CERA C	CK732B16V-106K	1	332071065R2
C8261	C-CERA C	CK732B16V-106K	1	332071065R2
C8305	C-CERA C	CK725B1H-102K0	1	332031025R1
C8306	C-CERA C	CK725B1C-104K0	1	332011045R1
C8307	C-CERA C	CK725B1H-102K0	1	332031025R1
C8308	C-CERA C	CK725B1C-104K0	1	332011045R1
C8309	C-CERA C	CK725B1H-102K0	1	332031025R1
C8310	C-CERA C	CK725B1C-104K0	1	332011045R1
C8311	C-CERA C	CK725B1H-102K0	1	332031025R1
C8312	C-CERA C	CK725B1C-104K0	1	332011045R1
C8313	C-CERA C	CK725B1H-102K0	1	332031025R1
C8314	C-CERA C	CK725B1C-104K0	1	332011045R1
C8315	C-CERA C	CK725B1H-102K0	1	332031025R1
C8316	C-CERA C	CK725B1C-104K0	1	332011045R1
C8317	C-CERA C	CK725B1H-102K0	1	332031025R1
C8318	C-CERA C	CK725B1C-104K0	1	332011045R1
C8319	C-CERA C	CK725B1C-104K0	1	332011045R1
C8320	C-CERA C	CK725B1H-102K0	1	332031025R1
C8321	C-CERA C	CC725CH1H-120J0	1	342031204R1

C8322	C-CERA C	CK725B1H-102K0	1	332031025R1
C8323	C-CERA C	CK725B1C-104K0	1	332011045R1
C8324	C-CERA C	CK725B1C-104K0	1	332011045R1
C8325	C-CERA C	CC725CH1H-100D0	1	342031002R1
C8326	C-CERA C	CK725B1H-102K0	1	332031025R1
C8327	C-CERA C	CK725B1H-102K0	1	332031025R1
C8328	C-CERA C	CK725B1C-104K0	1	332011045R1
C8329	C-CERA C	CK725B1H-102K0	1	332031025R1
C8330	C-CERA C	CK725B1C-104K0	1	332011045R1
C8331	C-CERA C	CK725B1C-104K0	1	332011045R1
C8332	C-CERA C	CK725B1A-105K0	1	332001055R1
C8333	C-CERA C	CK725B1H-102K0	1	332031025R1
C8334	C-CERA C	CK725B1C-104K0	1	332011045R1
C8335	C-CERA C	CK725B1H-102K0	1	332031025R1
C8336	C-CERA C	CK725B1C-104K0	1	332011045R1
C8337	C-CERA C	CK725B1A-105K0	1	332001055R1
C8338	C-CERA C	CK725B1H-102K0	1	332031025R1
C8339	C-CERA C	CK725B1A-105K0	1	332001055R1
C8340	C-CERA C	CK725B1C-104K0	1	332011045R1
C8341	C-CERA C	CK725B1H-102K0	1	332031025R1
C8342	C-CERA C	CK725B1C-104K0	1	332011045R1
C8343	C-CERA C	CK725B1H-102K0	1	332031025R1
C8344	C-CERA C	CK725B1C-104K0	1	332011045R1
C8345	C-CERA C	CK725B1H-102K0	1	332031025R1
C8347	C-CERA C	CK725B1H-102K0	1	332031025R1
C8348	C-CERA C	CK725B1C-104K0	1	332011045R1
C8349	C-CERA C	CK725B1A-105K0	1	332001055R1
C8350	C-CERA C	CK725B1A-105K0	1	332001055R1
C8351	C-CERA C	CK725B1A-105K0	1	332001055R1
C8352	C-CERA C	CK732B16V-106K	1	332071065R2
C8353	C-CERA C	CK725B1C-104K0	1	332011045R1
C8354	C-CERA C	CK725B1A-105K0	1	332001055R1
C8356	C-CERA C	CK732B16V-106K	1	332071065R2
C8357	C-CERA C	CK732B16V-106K	1	332071065R2
C8358	C-CERA C	CK725B1H-102K0	1	332031025R1
C8359	C-CERA C	CK732B16V-106K	1	332071065R2
C8360	C-CERA C	CK725B1C-104K0	1	332011045R1
C8361	C-CERA C	CK725B1H-102K0	1	332031025R1
C8362	C-CERA C	CK725B1C-104K0	1	332011045R1
C8363	C-CERA C	CK725B1H-102K0	1	332031025R1
C8364	C-CERA C	CK725B1C-104K0	1	332011045R1
C8366	C-CERA C	CK732B16V-106K	1	332071065R2
C8367	C-CERA C	CK732B16V-106K	1	332071065R2
C8368	C-CERA C	CK732B16V-106K	1	332071065R2
C8384	C-CERA C	CK732B16V-106K	1	332071065R2
C8386	C-CERA C	CK725B1H-102K0	1	332031025R1

C8387	C-CERA C	CK725B1H-102K0	1	332031025R1
C8600	C-CERA C	CK725F1E-104Z1	1	332161040R1
C8601	C-CERA C	CK732B16V-106K	1	332071065R2
C8602	C-CERA C	CK725B1H-102K0	1	332031025R1
C8603	C-CERA C	CK732B16V-106K	1	332071065R2
C8604	C-CERA C	CK725B1H-102K0	1	332031025R1
C8605	C-CERA C	CK725B1C-104K0	1	332011045R1
C8606	C-CERA C	CK725B1H-102K0	1	332031025R1
C8607	C-CERA C	CK725B0J-226M	1	332092267R2
C8608	C-CERA C	CK732B16V-106K	1	332071065R2
C8609	C-CERA C	CK732B16V-106K	1	332071065R2
C8610	C-CERA C	CK732B16V-106K	1	332071065R2
C8611	C-CERA C	CK725B1H-102K0	1	332031025R1
C8612	C-CERA C	CK725B1H-102K0	1	332031025R1
C8613	C-CERA C	CK732B16V-106K	1	332071065R2
C8614	C-CERA C	CK732B16V-106K	1	332071065R2
C8615	C-CERA C	CK725B1C-104K0	1	332011045R1
C8621	C-CERA C	CK725B1H-102K0	1	332031025R1
C8622	C-CERA C	CK725B1H-102K0	1	332031025R1
C8631	C-CERA C	CK725B1H-102K0	1	332031025R1
C8632	C-CERA C	CK725B1H-102K0	1	332031025R1
C8641	C-CERA C	CK725B1H-102K0	1	332031025R1
C8642	C-CERA C	CK725B1H-102K0	1	332031025R1
C8651	C-CERA C	CK725B1H-102K0	1	332031025R1
C8652	C-CERA C	CK725B1H-102K0	1	332031025R1
C8661	C-CERA C	CK725B1H-102K0	1	332031025R1
C8662	C-CERA C	CK725B1H-102K0	1	332031025R1
C8671	C-CERA C	CK725B1H-102K0	1	332031025R1
C8672	C-CERA C	CK725B1H-102K0	1	332031025R1
C8674	C-CERA C	CK725B1C-104K0	1	332011045R1
C8675	C-CERA C	CK725B1C-104K0	1	332011045R1
C8676	C-CERA C	CK725B1C-104K0	1	332011045R1
C8677	C-CERA C	CK725B1C-104K0	1	332011045R1
C8678	C-CERA C	CK732B16V-106K	1	332071065R2
C8679	C-CERA C	CK732B16V-106K	1	332071065R2
C8681	C-CERA C	CK725B1C-104K0	1	332011045R1
C8682	C-CERA C	CK725B1C-103K0	1	332011035R1
C8683	C-CERA C	CK725B1E-473K0	1	332024735R1
C8684	C-CERA C	CK725B1C-104K0	1	332011045R1
C8685	C-CERA C	CK725B1H-102K0	1	332031025R1
C8686	C-CERA C	CK732B16V-106K	1	332071065R2
C8687	C-CERA C	CK732B16V-106K	1	332071065R2
C8688	C-CERA C	CK725B1C-104K0	1	332011045R1
C8689	C-CERA C	CK725B1C-103K0	1	332011035R1
C8690	C-CERA C	CK725B1C-104K0	1	332011045R1
C8691	C-CERA C	CK725B1C-104K0	1	332011045R1

C8692	C-CERA C	CK725B1C-104K0	1	332011045R1
C8693	C-CERA C	CK732B16V-106K	1	332071065R2
C8694	C-CERA C	CK725B1C-103K0	1	332011035R1
C8695	C-CERA C	CK725B1C-103K0	1	332011035R1
C8696	C-CERA C	CK725B1C-103K0	1	332011035R1
C8698	C-CERA C	CK725B0J-226M	1	332092267R2
C8699	C-CERA C	CK725B0J-226M	1	332092267R2
C8701	C-CERA C	CK725B1C-104K0	1	332011045R1
C8702	C-CERA C	CK725B1C-104K0	1	332011045R1
C8703	C-CERA C	CK725B1C-104K0	1	332011045R1
C8704	C-CERA C	CK725B1C-104K0	1	332011045R1
C8705	C-CERA C	CK725B1A-105K0	1	332001055R1
C8706	C-CERA C	CK725B1C-104K0	1	332011045R1
C8707	C-CERA C	CK725B1C-104K0	1	332011045R1
C8708	C-CERA C	CK732B16V-106K	1	332071065R2
C8709	C-CERA C	CK732B16V-106K	1	332071065R2
C8710	C-CERA C	CK732B16V-106K	1	332071065R2
C8741	C-CERA C	CK725B1C-104K0	1	332011045R1
C8901	CHIP ELECT C	CEWX16V-100M	1	398141017R2
C8902	C-CERA C	CK732B16V-106K	1	332071065R2
C8903	C-CERA C	CK732B16V-106K	1	332071065R2
C8904	C-CERA C	CK725B1A-105K0	1	332001055R1
C8905	C-CERA C	CK725B1A-105K0	1	332001055R1
C8906	C-CERA C	CK725B1C-104K0	1	332011045R1
C8907	C-CERA C	CK725B1A-105K0	1	332001055R1
C8908	C-CERA C	CK725B1A-105K0	1	332001055R1
C8911	C-CERA C	CK725B1C-104K0	1	332011045R1
C8912	C-CERA C	CK725B0J-226M	1	332092267R2
C8913	C-CERA C	CK725B0J-226M	1	332092267R2
C8914	C-CERA C	CK725B1C-104K0	1	332011045R1
C8915	C-CERA C	CK725B0J-226M	1	332092267R2
C8916	C-CERA C	CK725B0J-226M	1	332092267R2
C8917	C-CERA C	CK725B1C-104K0	1	332011045R1
C8918	C-CERA C	CK725B0J-226M	1	332092267R2
C8919	C-CERA C	CK725B0J-226M	1	332092267R2
C8920	C-CERA C	CK725B1C-104K0	1	332011045R1
C8921	C-CERA C	CK725B0J-226M	1	332092267R2
C8922	C-CERA C	CK725B0J-226M	1	332092267R2
C8931	C-CERA C	CK725B1C-104K0	1	332011045R1
C8932	C-CERA C	CK725B1C-104K0	1	332011045R1
C8933	C-CERA C	CK725B1E-106K	1	332221065R2
C8934	C-CERA C	CK725B1E-106K	1	332221065R2
C8935	C-CERA C	CK725B1E-223K0	1	332022235R1
C8936	C-CERA C	CK725B0J-226M	1	332092267R2
C8937	C-CERA C	CK725B0J-226M	1	332092267R2
C8941	C-CERA C	CK725B1C-104K0	1	332011045R1

C8942	C-CERA C	CK725B1C-104K0	1	332011045R1
C8943	C-CERA C	CK725B1E-106K	1	332221065R2
C8944	C-CERA C	CK725B1E-106K	1	332221065R2
C8945	C-CERA C	CK725B1E-682K0	1	332026825R1
C8946	C-CERA C	CK725B0J-226M	1	332092267R2
C8947	C-CERA C	CK725B0J-226M	1	332092267R2
C8951	C-CERA C	CK725B1C-104K0	1	332011045R1
C8952	C-CERA C	CK725B1C-104K0	1	332011045R1
C8953	C-CERA C	CK725B1E-106K	1	332221065R2
C8954	C-CERA C	CK725B1E-106K	1	332221065R2
C8955	C-CERA C	CK725B1E-103K0	1	332021035R1
C8956	C-CERA C	CK725B0J-226M	1	332092267R2
C8957	C-CERA C	CK725B0J-226M	1	332092267R2
C8961	C-CERA C	CK725B1C-104K0	1	332011045R1
C8962	C-CERA C	CK725B1C-104K0	1	332011045R1
C8963	C-CERA C	CK725B1E-106K	1	332221065R2
C8964	C-CERA C	CK725B1E-106K	1	332221065R2
C8965	C-CERA C	CK725B1E-103K0	1	332021035R1
C8966	C-CERA C	CK725B0J-226M	1	332092267R2
C8967	C-CERA C	CK725B0J-226M	1	332092267R2
C8971	C-CERA C	CK732B16V-106K	1	332071065R2
<b>[RESISTOR]</b>				
R1001	C-CARBON R	RN72K1J-151JE	1	435031514R1
R1002	C-CARBON R	RN72K1J-151JE	1	435031514R1
R1003	C-CARBON R	RN72K1J-151JE	1	435031514R1
R1004	C-CARBON R	RN72K1J-151JE	1	435031514R1
R1005	C-CARBON R	RN72K1J-331JE	1	435033314R1
R1006	C-CARBON R	RN72K1J-560JE	1	435035604R1
R1007	C-CARBON R	RN72K1J-105JE	1	435031054R1
R1008	C-CARBON R	RN72K1J-102JE	1	435031024R1
R1009	C-CARBON R	RN72K1J-181JE	1	435031814R1
R1010	C-CARBON R	RN72K1J-103JE	1	435031034R1
R1011	C-CARBON R	RN72K1J-220JE	1	435032204R1
R1012	C-CARBON R	RN72K1J-220JE	1	435032204R1
R1013	C-CARBON R	RN72K1J-220JE	1	435032204R1
R1014	C-CARBON R	RN72K1J-220JE	1	435032204R1
R1015	C-CARBON R	RN72K1J-220JE	1	435032204R1
R1016	C-CARBON R	RN72K1J-220JE	1	435032204R1
R1017	C-CARBON R	RN72K1J-470JE	1	435034704R1
R1018	C-CARBON R	RN72K1J-103JE	1	435031034R1
R1019	C-CARBON R	RN72K1J-470JE	1	435034704R1
R1020	C-CARBON R	RN72K1J-391JE	1	435033914R1
R1021	C-CARBON R	RN72K1J-181JE	1	435031814R1
R1022	C-CARBON R	RN72K1J-151JE	1	435031514R1
R1023	C-CARBON R	RN72K1J-221JE	1	435032214R1
R1024	C-CARBON R	RN72K1J-470JE	1	435034704R1

R1025	C-CARBON R	RN72K1J-470JE	1	435034704R1
R1026	C-CARBON R	RN72K1J-331JE	1	435033314R1
R1027	C-R NET	RM7LJ221X04	1	43484722104R2
R1027 or	C-R NET	YCN104-221-JK	( 1)	43464C22104R1
R1028	C-CARBON R	RN72K1J-472JE	1	435034724R1
R1030	C-CARBON R	RN72K1J-102JE	1	435031024R1
R1031	C-CARBON R	RN72K1J-331JE	1	435033314R1
R1032	C-CARBON R	RN72K1J-331JE	1	435033314R1
R1033	C-CARBON R	RN72K1J-221JE	1	435032214R1
R1034	C-CARBON R	RN72K1J-472JE	1	435034724R1
R1035	C-CARBON R	RN72K1J-331JE	1	435033314R1
R1036	C-CARBON R	RN72K1J-331JE	1	435033314R1
R1037	C-CARBON R	RN72K1J-331JE	1	435033314R1
R1038	C-CARBON R	RN72K1J-331JE	1	435033314R1
R1039	C-CARBON R	RN72K1J-330JE	1	435033304R1
R1040	C-CARBON R	RN72K1J-331JE	1	435033314R1
R1041	C-CARBON R	RN72K1J-221JE	1	435032214R1
R1042	C-CARBON R	RN72K1J-331JE	1	435033314R1
R1043	C-CARBON R	RN72K1J-221JE	1	435032214R1
R1044	C-CARBON R	RN72K1J-221JE	1	435032214R1
R1045	C-CARBON R	RN72K1J-221JE	1	435032214R1
R1046	C-CARBON R	RN72K1J-470JE	1	435034704R1
R1047	C-CARBON R	RN72K1J-681JE	1	435036814R1
R1048	C-CARBON R	RN72K1J-331JE	1	435033314R1
R1060	C-CARBON R	RN72K1J-470JE	1	435034704R1
R1063	C-CARBON R	RN72K1J-331JE	1	435033314R1
R1064	C-CARBON R	RN72K1J-331JE	1	435033314R1
R1065	C-CARBON R	RN72K1J-331JE	1	435033314R1
R1066	C-CARBON R	RN72K1J-181JE	1	435031814R1
R1067	C-CARBON R	RN72K1J-331JE	1	435033314R1
R1068	C-CARBON R	RN72K1J-331JE	1	435033314R1
R1069	C-CARBON R	RN72K1J-181JE	1	435031814R1
R1070	C-CARBON R	RN72K1J-331JE	1	435033314R1
R1071	C-CARBON R	RN72K1J-331JE	1	435033314R1
R1072	C-CARBON R	RN72K1J-181JE	1	435031814R1
R1073	C-CARBON R	RN72K1J-331JE	1	435033314R1
R1074	C-CARBON R	RN72K1J-331JE	1	435033314R1
R1075	C-CARBON R	RN72K1J-181JE	1	435031814R1
R1076	C-CARBON R	RN72K1J-000JE	1	435030004R1
R1077	C-CARBON R	RN72K1J-000JE	1	435030004R1
R1091	C-CARBON R	RN72K1J-000JE	1	435030004R1
R1092	C-CARBON R	RN72K1J-000JE	1	435030004R1
R1093	C-CARBON R	RN72K1J-000JE	1	435030004R1
R1094	C-CARBON R	RN72K1J-000JE	1	435030004R1
R3007	C-CARBON R	RN72K1J-470JE	1	435034704R1
R3009	C-CARBON R	RN72K1J-330JE	1	435033304R1

R3010	C-R NET	RM7LJ330X04	1	43484733004R2
R3010 or	C-R NET	YCN104-330-JK	(1)	43464C33004R1
R3011	C-R NET	RM7LJ330X04	1	43484733004R2
R3011 or	C-R NET	YCN104-330-JK	(1)	43464C33004R1
R3012	C-R NET	RM7LJ470X04	1	43484747004R2
R3012 or	C-R NET	YCN104-470-JK	(1)	43464C47004R1
R3013	C-R NET	RM7LJ330X04	1	43484733004R2
R3013 or	C-R NET	YCN104-330-JK	(1)	43464C33004R1
R3014	C-R NET	RM7LJ330X04	1	43484733004R2
R3014 or	C-R NET	YCN104-330-JK	(1)	43464C33004R1
R3015	C-R NET	RM7LJ330X04	1	43484733004R2
R3015 or	C-R NET	YCN104-330-JK	(1)	43464C33004R1
R3016	C-CARBON R	RN72K1J-470JE	1	435034704R1
R3017	C-R NET	RM7LJ330X04	1	43484733004R2
R3017 or	C-R NET	YCN104-330-JK	(1)	43464C33004R1
R3018	C-CARBON R	RN72K1J-470JE	1	435034704R1
R3019	C-R NET	RM7LJ330X04	1	43484733004R2
R3019 or	C-R NET	YCN104-330-JK	(1)	43464C33004R1
R3020	C-R NET	RM7LJ330X04	1	43484733004R2
R3020 or	C-R NET	YCN104-330-JK	(1)	43464C33004R1
R3021	C-CARBON R	RN72K1J-470JE	1	435034704R1
R3022	C-CARBON R	RN72K1J-470JE	1	435034704R1
R3023	C-R NET	RM7LJ470X04	1	43484747004R2
R3023 or	C-R NET	YCN104-470-JK	(1)	43464C47004R1
R3024	C-CARBON R	RN72K1J-470JE	1	435034704R1
R3025	C-CARBON R	RN72K1J-102JE	1	435031024R1
R3028	C-CARBON R	RN72K1J-470JE	1	435034704R1
R3029	C-CARBON R	RN72K1J-102JE	1	435031024R1
R3032	C-CARBON R	RN72K1J-103JE	1	435031034R1
R3033	C-CARBON R	RN72K1J-470JE	1	435034704R1
R3034	C-CARBON R	RN72K1J-470JE	1	435034704R1
R3035	C-CARBON R	RN72K1J-470JE	1	435034704R1
R3036	C-CARBON R	RN72K1J-470JE	1	435034704R1
R3037	C-CARBON R	RN72K1J-470JE	1	435034704R1
R3038	C-CARBON R	RN72K1J-470JE	1	435034704R1
R3039	C-CARBON R	RN72K1J-470JE	1	435034704R1
R3040	C-CARBON R	RN72K1J-103JE	1	435031034R1
R3041	C-R NET	RM7LJ330X04	1	43484733004R2
R3041 or	C-R NET	YCN104-330-JK	(1)	43464C33004R1
R3042	C-R NET	RM7LJ330X04	1	43484733004R2
R3042 or	C-R NET	YCN104-330-JK	(1)	43464C33004R1
R3043	C-CARBON R	RN72K1J-000JE	1	435030004R1
R3044	C-R NET	RM7LJ330X04	1	43484733004R2
R3044 or	C-R NET	YCN104-330-JK	(1)	43464C33004R1
R3045	C-R NET	RM7LJ330X04	1	43484733004R2
R3045 or	C-R NET	YCN104-330-JK	(1)	43464C33004R1



R3047	C-CARBON R	RN72K1J-560JE	1	435035604R1
R3048	C-CARBON R	RN72K1J-221JE	1	435032214R1
R3049	C-CARBON R	RN72K1J-560JE	1	435035604R1
R3050	C-CARBON R	RN72K1J-560JE	1	435035604R1
R3051	C-CARBON R	RN72K1J-560JE	1	435035604R1
R3054	C-CARBON R	RN72K1J-103JE	1	435031034R1
R3056	C-CARBON R	RN72K1J-472JE	1	435034724R1
R3060	C-CARBON R	RN72K1J-680JE	1	435036804R1
R3061	C-CARBON R	RN72K1J-470JE	1	435034704R1
R3062	C-CARBON R	RN72K1J-680JE	1	435036804R1
R3063	C-CARBON R	RN72K1J-680JE	1	435036804R1
R3064	C-CARBON R	RN72K1J-680JE	1	435036804R1
R3065	C-CARBON R	RN72K1J-680JE	1	435036804R1
R3066	C-CARBON R	RN72K1J-102JE	1	435031024R1
R3070	C-CARBON R	RN72K1J-103JE	1	435031034R1
R3101	C-CARBON R	RN72K1J-103JE	1	435031034R1
R3103	C-CARBON R	RN72K1J-000JE	1	435030004R1
R3105	C-CARBON R	RN72K1J-222JE	1	435032224R1
R3106	C-CARBON R	RN72K1J-102JE	1	435031024R1
R3108	C-CARBON R	RN72K1J-103JE	1	435031034R1
R3110	C-CARBON R	RN72K1J-103JE	1	435031034R1
R3111	C-CARBON R	RN72K1J-103JE	1	435031034R1
R3113	C-CARBON R	RN72K1J-103JE	1	435031034R1
R3115	C-CARBON R	RN72K1J-332JE	1	435033324R1
R3117	C-CARBON R	RN72K1J-332JE	1	435033324R1
R3119	C-CARBON R	RN72K1J-332JE	1	435033324R1
R3122	C-CARBON R	RN72K1J-102JE	1	435031024R1
R3123	C-CARBON R	RN72K1J-000JE	1	435030004R1
R3124	C-CARBON R	RN72K1J-331JE	1	435033314R1
R3125	C-CARBON R	RN72K1J-470JE	1	435034704R1
R3126	C-CARBON R	RN72K1J-470JE	1	435034704R1
R3127	C-CARBON R	RN72K1J-470JE	1	435034704R1
R3128	C-CARBON R	RN72K1J-472JE	1	435034724R1
R3129	C-CARBON R	RN72K1J-470JE	1	435034704R1
R3130	C-CARBON R	RN72K1J-470JE	1	435034704R1
R3131	C-CARBON R	RN72K1J-470JE	1	435034704R1
R3132	C-CARBON R	RN72K1J-103JE	1	435031034R1
R3133	C-CARBON R	RN72K1J-470JE	1	435034704R1
R3134	C-CARBON R	RN72K1J-103JE	1	435031034R1
R3135	C-CARBON R	RN72K1J-103JE	1	435031034R1
R3136	C-CARBON R	RN72K1J-000JE	1	435030004R1
R3137	C-CARBON R	RN72K1J-000JE	1	435030004R1
R3139	C-CARBON R	RN72K1J-101JE	1	435031014R1
R3140	C-CARBON R	RN72K1J-103JE	1	435031034R1
R3143	C-CARBON R	RN72K1J-392JE	1	435033924R1
R3144	C-CARBON R	RN72K1J-101JE	1	435031014R1

R3145	C-CARBON R	RN72K1J-392JE	1	435033924R1
R3146	C-CARBON R	RN72K1J-390JE	1	435033904R1
R3147	C-CARBON R	RN72K1J-000JE	1	435030004R1
R3148	C-CARBON R	RN72K1J-390JE	1	435033904R1
R3149	C-CARBON R	RN72K1J-102JE	1	435031024R1
R3150	C-CARBON R	RN72K1J-680JE	1	435036804R1
R3151	C-CARBON R	RN72K1J-000JE	1	435030004R1
R3152	C-CARBON R	RN72K1J-000JE	1	435030004R1
R3154	C-CARBON R	RN72K1J-390JE	1	435033904R1
R3155	C-CARBON R	RN72K1J-390JE	1	435033904R1
R3156	C-CARBON R	RN72K1J-390JE	1	435033904R1
R3157	C-CARBON R	RN72K1J-000JE	1	435030004R1
R3162	C-CARBON R	RN72K1J-390JE	1	435033904R1
R3163	C-CARBON R	RN72K1J-220JE	1	435032204R1
R3164	C-CARBON R	RN72K1J-472JE	1	435034724R1
R3168	C-CARBON R	RN72K1J-220JE	1	435032204R1
R3169	C-CARBON R	RN72K1J-220JE	1	435032204R1
R3170	C-CARBON R	RN72K1J-391FE	1	435033912R1
R3171	C-CARBON R	RN72K1J-222FE	1	435032222R1
R3172	C-CARBON R	RN72K1J-392FE	1	435033922R1
R3173	C-CARBON R	RN72K1J-390JE	1	435033904R1
R3174	C-CARBON R	RN72K1J-390JE	1	435033904R1
R3175	C-CARBON R	RN72K1J-472JE	1	435034724R1
R3181	C-CARBON R	RN72K1J-470JE	1	435034704R1
R3182	C-CARBON R	RN72K1J-472JE	1	435034724R1
R3183	C-CARBON R	RN72K1J-470JE	1	435034704R1
R3184	C-CARBON R	RN72K1J-470JE	1	435034704R1
R3187	C-CARBON R	RN72K1J-472JE	1	435034724R1
R3188	C-CARBON R	RN72K1J-103JE	1	435031034R1
R3192	C-CARBON R	RN72K1J-472JE	1	435034724R1
R3193	C-CARBON R	RN72K1J-472JE	1	435034724R1
R3194	C-CARBON R	RN72K1J-472JE	1	435034724R1
R3199	C-CARBON R	RN72K1J-102JE	1	435031024R1
R3200	C-CARBON R	RN72K1J-103JE	1	435031034R1
R3204	C-CARBON R	RN72K1J-103JE	1	435031034R1
R3205	C-CARBON R	RN72K1J-103JE	1	435031034R1
R3208	C-CARBON R	RN72K1J-271JE	1	435032714R1
R3212	C-CARBON R	RN72K1J-220JE	1	435032204R1
R3215	C-CARBON R	RN72K1J-221JE	1	435032214R1
R3218	C-CARBON R	RN72K1J-220JE	1	435032204R1
R3219	C-CARBON R	RN72K1J-221JE	1	435032214R1
R3226	C-R NET	RM7LJ470X04	1	43484747004R2
R3226 or	C-R NET	YCN104-470-JK	( 1)	43464C47004R1
R3230	C-CARBON R	RN72K1J-221JE	1	435032214R1
R3234	C-CARBON R	RN72K1J-470JE	1	435034704R1
R3237	C-CARBON R	RN72K1J-221JE	1	435032214R1

R3238	C-CARBON R	RN72K1J-470JE	1	435034704R1
R3239	C-CARBON R	RN72K1J-221JE	1	435032214R1
R3240	C-CARBON R	RN72K1J-221JE	1	435032214R1
R3241	C-CARBON R	RN72K1J-221JE	1	435032214R1
R3242	C-CARBON R	RN72K1J-221JE	1	435032214R1
R3244	C-CARBON R	RN72K1J-470JE	1	435034704R1
R3247	C-CARBON R	RN72K1J-121JE	1	435031214R1
R3251	C-CARBON R	RN72K1J-470JE	1	435034704R1
R3257	C-CARBON R	RN72K1J-470JE	1	435034704R1
R3260	C-CARBON R	RN72K1J-390JE	1	435033904R1
R3262	C-CARBON R	RN72K1J-221JE	1	435032214R1
R3265	C-CARBON R	RN72K1J-390JE	1	435033904R1
R3268	C-CARBON R	RN72K1J-390JE	1	435033904R1
R3271	C-CARBON R	RN72K1J-390JE	1	435033904R1
R3272	C-CARBON R	RN72K1J-470JE	1	435034704R1
R3274	C-CARBON R	RN72K1J-390JE	1	435033904R1
R3276	C-CARBON R	RN72K1J-470JE	1	435034704R1
R3277	C-CARBON R	RN72K1J-220JE	1	435032204R1
R3278	C-CARBON R	RN72K1J-470JE	1	435034704R1
R3280	C-CARBON R	RN72K1J-470JE	1	435034704R1
R3283	C-CARBON R	RN72K1J-470JE	1	435034704R1
R3284	C-CARBON R	RN72K1J-103JE	1	435031034R1
R3290	C-R NET	RM7LJ470X04	1	43484747004R2
R3290 or	C-R NET	YCN104-470-JK	(1)	43464C47004R1
R3291	C-R NET	RM7LJ470X04	1	43484747004R2
R3291 or	C-R NET	YCN104-470-JK	(1)	43464C47004R1
R3292	C-R NET	RM7LJ470X04	1	43484747004R2
R3292 or	C-R NET	YCN104-470-JK	(1)	43464C47004R1
R3293	C-R NET	RM7LJ470X04	1	43484747004R2
R3293 or	C-R NET	YCN104-470-JK	(1)	43464C47004R1
R3294	C-R NET	RM7LJ470X04	1	43484747004R2
R3294 or	C-R NET	YCN104-470-JK	(1)	43464C47004R1
R3295	C-R NET	RM7LJ470X04	1	43484747004R2
R3295 or	C-R NET	YCN104-470-JK	(1)	43464C47004R1
R3296	C-CARBON R	RN72K1J-470JE	1	435034704R1
R3297	C-CARBON R	RN72K1J-470JE	1	435034704R1
R3298	C-CARBON R	RN72K1J-102JE	1	435031024R1
R3300	C-CARBON R	RN72K1J-102JE	1	435031024R1
R662	C-CARBON R	RN72K1J-103JE	1	435031034R1
R664	C-CARBON R	RN72K1J-103JE	1	435031034R1
R666	C-CARBON R	RN72K1J-103JE	1	435031034R1
R668	C-CARBON R	RN72K1J-103JE	1	435031034R1
R7002	C-CARBON R	RN72K1J-103JE	1	435031034R1
R7003	C-CARBON R	RN72K1J-103JE	1	435031034R1
R7004	C-CARBON R	RN72K1J-273JE	1	435032734R1
R7005	C-CARBON R	RN72K1J-223JE	1	435032234R1

R7006	C-CARBON R	RN72K1J-223JE	1	435032234R1
R7007	C-CARBON R	RN72K1J-105JE	1	435031054R1
R7008	C-CARBON R	RN72K1J-473JE	1	435034734R1
R7009	C-CARBON R	RN72K1J-105JE	1	435031054R1
R7010	C-CARBON R	RN72K1J-103JE	1	435031034R1
R7011	C-CARBON R	RN72K1J-103JE	1	435031034R1
R7012	C-CARBON R	RN72K1J-103JE	1	435031034R1
R7013	C-CARBON R	RN72K1J-103JE	1	435031034R1
R7014	C-CARBON R	RN72K1J-473JE	1	435034734R1
R7015	C-CARBON R	RN72K1J-473JE	1	435034734R1
R7016	C-CARBON R	RN72K1J-473JE	1	435034734R1
R7017	C-CARBON R	RN72K1J-472JE	1	435034724R1
R7018	C-CARBON R	RN72K1J-472JE	1	435034724R1
R7019	C-CARBON R	RN72K1J-472JE	1	435034724R1
R7020	C-CARBON R	RN72K1J-472JE	1	435034724R1
R7021	C-R NET	RM7LJ221X04	1	43484722104R2
R7021 or	C-R NET	YCN104-221-JK	( 1 )	43464C22104R1
R7023	C-CARBON R	RN72K1J-221JE	1	435032214R1
R7024	C-CARBON R	RN72K1J-103JE	1	435031034R1
R7025	C-CARBON R	RN72K1J-224JE	1	435032244R1
R7026	C-CARBON R	RN72K1J-224JE	1	435032244R1
R7027	C-CARBON R	RN72K1J-103JE	1	435031034R1
R7028	C-CARBON R	RN72K1J-000JE	1	435030004R1
R7029	C-CARBON R	RN72K1J-102JE	1	435031024R1
R7030	C-CARBON R	RN72K1J-221JE	1	435032214R1
R7031	C-R NET	RM7LJ221X04	1	43484722104R2
R7031 or	C-R NET	YCN104-221-JK	( 1 )	43464C22104R1
R7032	C-CARBON R	RN72K1J-221JE	1	435032214R1
R7033	C-R NET	RM7LJ470X04	1	43484747004R2
R7033 or	C-R NET	YCN104-470-JK	( 1 )	43464C47004R1
R7034	C-CARBON R	RN72K1J-221JE	1	435032214R1
R7035	C-CARBON R	RN72K1J-470JE	1	435034704R1
R7036	C-CARBON R	RN72K1J-102JE	1	435031024R1
R7037	C-CARBON R	RN72K1J-102JE	1	435031024R1
R7038	C-CARBON R	RN72K1J-102JE	1	435031024R1
R7039	C-CARBON R	RN72K1J-222JE	1	435032224R1
R7040	C-CARBON R	RN72K1J-222JE	1	435032224R1
R7041	C-CARBON R	RN72K1J-222JE	1	435032224R1
R7042	C-CARBON R	RN72K1J-221JE	1	435032214R1
R7043	C-CARBON R	RN72K1J-103JE	1	435031034R1
R7044	C-CARBON R	RN72K1J-470JE	1	435034704R1
R7045	C-CARBON R	RN72K1J-103JE	1	435031034R1
R7046	C-CARBON R	RN72K1J-221JE	1	435032214R1
R7047	C-CARBON R	RN72K1J-103JE	1	435031034R1
R7048	C-CARBON R	RN72K1J-221JE	1	435032214R1
R7049	C-CARBON R	RN72K1J-470JE	1	435034704R1

R7050	C-CARBON R	RN72K1J-103JE	1	435031034R1
R7051	C-CARBON R	RN72K1J-221JE	1	435032214R1
R7052	C-CARBON R	RN72K1J-221JE	1	435032214R1
R7053	C-CARBON R	RN72K1J-221JE	1	435032214R1
R7054	C-CARBON R	RN72K1J-102JE	1	435031024R1
R7055	C-CARBON R	RN72K1J-102JE	1	435031024R1
R7057	C-CARBON R	RN72K1J-103JE	1	435031034R1
R7058	C-CARBON R	RN72K1J-103JE	1	435031034R1
R7059	C-CARBON R	RN72K1J-103JE	1	435031034R1
R7060	C-CARBON R	RN72K1J-102JE	1	435031024R1
R7061	C-CARBON R	RN72K1J-221JE	1	435032214R1
R7062	C-CARBON R	RN72K1J-221JE	1	435032214R1
R7063	C-CARBON R	RN72K1J-103JE	1	435031034R1
R7064	C-CARBON R	RN72K1J-470JE	1	435034704R1
R7065	C-CARBON R	RN72K1J-473JE	1	435034734R1
R7066	C-CARBON R	RN72K1J-221JE	1	435032214R1
R7067	C-CARBON R	RN72K1J-000JE	1	435030004R1
R7068	C-CARBON R	RN72K1J-000JE	1	435030004R1
R7069	C-R NET	RM7LJ470X04	1	43484747004R2
R7069 or	C-R NET	YCN104-470-JK	( 1 )	43464C47004R1
R7070	C-CARBON R	RN72K1J-470JE	1	435034704R1
R7071	C-CARBON R	RN72K1J-103JE	1	435031034R1
R7072	C-CARBON R	RN72K1J-470JE	1	435034704R1
R7073	C-CARBON R	RN72K1J-103JE	1	435031034R1
R7074	C-CARBON R	RN72K1J-103JE	1	435031034R1
R7075	C-R NET	RM7LJ470X04	1	43484747004R2
R7075 or	C-R NET	YCN104-470-JK	( 1 )	43464C47004R1
R7076	C-CARBON R	RN72K1J-221JE	1	435032214R1
R7078	C-CARBON R	RN72K1J-103JE	1	435031034R1
R7079	C-R NET	RM7LJ221X04	1	43484722104R2
R7079 or	C-R NET	YCN104-221-JK	( 1 )	43464C22104R1
R7081	C-CARBON R	RN72K1J-221JE	1	435032214R1
R7082	C-R NET	RM7LJ470X04	1	43484747004R2
R7082 or	C-R NET	YCN104-470-JK	( 1 )	43464C47004R1
R7083	C-CARBON R	RN72K1J-103JE	1	435031034R1
R7084	C-CARBON R	RN72K1J-470JE	1	435034704R1
R7085	C-CARBON R	RN72K1J-102JE	1	435031024R1
R7087	C-CARBON R	RN72K1J-273JE	1	435032734R1
R7088	C-CARBON R	RN72K1J-000JE	1	435030004R1
R7091	C-CARBON R	RN72K1J-221JE	1	435032214R1
R7092	C-CARBON R	RN72K1J-470JE	1	435034704R1
R7093	C-CARBON R	RN72K1J-472JE	1	435034724R1
R7094	C-CARBON R	RN72K1J-472JE	1	435034724R1
R7095	C-R NET	RM7LJ221X04	1	43484722104R2
R7095 or	C-R NET	YCN104-221-JK	( 1 )	43464C22104R1
R7096	C-CARBON R	RN72K1J-221JE	1	435032214R1

R7097	C-CARBON R	RN72K1J-470JE	1	435034704R1
R7098	C-R NET	RM7LJ470X04	1	43484747004R2
R7098 or	C-R NET	YCN104-470-JK	( 1)	43464C47004R1
R7099	C-R NET	RM7LJ470X04	1	43484747004R2
R7099 or	C-R NET	YCN104-470-JK	( 1)	43464C47004R1
R7101	C-CARBON R	RN72K1J-102JE	1	435031024R1
R7102	C-CARBON R	RN72K1J-103FE	1	435031032R1
R7103	C-CARBON R	RN72K1J-221JE	1	435032214R1
R7104	C-CARBON R	RN72K1J-470JE	1	435034704R1
R7106	C-CARBON R	RN72K1J-101JE	1	435031014R1
R7107	C-CARBON R	RN72K1J-101JE	1	435031014R1
R7108	C-R NET	RM7LJ223X04	1	43484722304R2
R7108 or	C-R NET	YCN104-223-JK	( 1)	43464C22304R1
R7109	C-CARBON R	RN72K1J-103JE	1	435031034R1
R7110	C-CARBON R	RN72K1J-103JE	1	435031034R1
R7111	C-CARBON R	RN72K1J-103JE	1	435031034R1
R7112	C-CARBON R	RN72K1J-101JE	1	435031014R1
R7115	C-CARBON R	RN72K1J-103JE	1	435031034R1
R7116	C-CARBON R	RN72K1J-103JE	1	435031034R1
R7117	C-CARBON R	RN72K1J-273JE	1	435032734R1
R7118	C-CARBON R	RN72K1J-103JE	1	435031034R1
R7119	C-CARBON R	RN72K1J-103JE	1	435031034R1
R7120	C-CARBON R	RN72K1J-103JE	1	435031034R1
R7121	C-CARBON R	RN72K1J-105JE	1	435031054R1
R7122	C-CARBON R	RN72K1J-105JE	1	435031054R1
R7123	C-R NET	RM7LJ221X04	1	43484722104R2
R7123 or	C-R NET	YCN104-221-JK	( 1)	43464C22104R1
R7125	C-CARBON R	RN72K1J-473JE	1	435034734R1
R7126	C-CARBON R	RN72K1J-221JE	1	435032214R1
R7131	C-CARBON R	RN72K1J-470JE	1	435034704R1
R7132	C-CARBON R	RN72K1J-470JE	1	435034704R1
R7133	C-CARBON R	RN72K1J-221JE	1	435032214R1
R7134	C-CARBON R	RN72K1J-221JE	1	435032214R1
R7135	C-CARBON R	RN72K1J-103JE	1	435031034R1
R7136	C-CARBON R	RN72K1J-470JE	1	435034704R1
R7137	C-CARBON R	RN72K1J-470JE	1	435034704R1
R7138	C-CARBON R	RN72K1J-470JE	1	435034704R1
R7139	C-CARBON R	RN72K1J-103JE	1	435031034R1
R7140	C-CARBON R	RN72K1J-103JE	1	435031034R1
R7141	C-CARBON R	RN72K1J-103JE	1	435031034R1
R7150	C-CARBON R	RN72K1J-221JE	1	435032214R1
R7151	C-CARBON R	RN72K1J-221JE	1	435032214R1
R7152	C-CARBON R	RN72K1J-103JE	1	435031034R1
R7153	C-CARBON R	RN72K1J-103JE	1	435031034R1
R7155	C-R NET	RM7LJ103X04	1	43484710304R2
R7155 or	C-R NET	YCN104-103-JK	( 1)	43464C10304R1

R7160	C-CARBON R	RN72K1J-473JE	1	435034734R1
R7170	C-CARBON R	RN72K1J-102JE	1	435031024R1
R7171	C-CARBON R	RN72K1J-473JE	1	435034734R1
R7172	C-CARBON R	RN72K1J-222JE	1	435032224R1
R7176	C-CARBON R	RN72K1J-103JE	1	435031034R1
R7301	C-CARBON R	RN72K1J-272JE	1	435032724R1
R7302	C-CARBON R	RN72K1J-272JE	1	435032724R1
R7303	C-CARBON R	RN72K1J-272JE	1	435032724R1
R7304	C-CARBON R	RN72K1J-272JE	1	435032724R1
R7310	C-CARBON R	RN72K1J-103JE	1	435031034R1
R7313	C-CARBON R	RN72K1J-102JE	1	435031024R1
R8001	C-CARBON R	RN72K1J-103JE	1	435031034R1
R8003	C-CARBON R	RN72K1J-000JE	1	435030004R1
R8004	C-CARBON R	RN72K1J-103JE	1	435031034R1
R8005	C-CARBON R	RN72K1J-103JE	1	435031034R1
R8006	C-CARBON R	RN72K1J-103FE	1	435031032R1
R8007	C-CARBON R	RN72K1J-472JE	1	435034724R1
R8009	C-CARBON R	RN72K1J-000JE	1	435030004R1
R8010	C-R NET	RM7LJ510X04	1	43484751004R2
R8010 or	C-R NET	YCN104-510-JK	(1)	43464C51004R1
R8011	C-R NET	RM7LJ510X04	1	43484751004R2
R8011 or	C-R NET	YCN104-510-JK	(1)	43464C51004R1
R8012	C-R NET	RM7LJ510X04	1	43484751004R2
R8012 or	C-R NET	YCN104-510-JK	(1)	43464C51004R1
R8013	C-R NET	RM7LJ510X04	1	43484751004R2
R8013 or	C-R NET	YCN104-510-JK	(1)	43464C51004R1
R8014	C-R NET	RM7LJ510X04	1	43484751004R2
R8014 or	C-R NET	YCN104-510-JK	(1)	43464C51004R1
R8015	C-CARBON R	MCR03EZPF49R9(49.9_1%)	1	4100037R2
R8015 or	CARBON R	CR16-49R9-FL	(1)	4100046R1
R8016	C-CARBON R	MCR03EZPF49R9(49.9_1%)	1	4100037R2
R8016 or	CARBON R	CR16-49R9-FL	(1)	4100046R1
R8017	C-CARBON R	MCR03EZPF49R9(49.9_1%)	1	4100037R2
R8017 or	CARBON R	CR16-49R9-FL	(1)	4100046R1
R8018	C-CARBON R	RN72K1J-000JE	1	435030004R1
R8019	C-CARBON R	RN72K1J-000JE	1	435030004R1
R8020	C-CARBON R	RN72K1J-472JE	1	435034724R1
R8037	C-CARBON R	RN72K1J-000JE	1	435030004R1
R8042	C-CARBON R	MCR03EZPF49R9(49.9_1%)	1	4100037R2
R8042 or	CARBON R	CR16-49R9-FL	(1)	4100046R1
R8043	C-CARBON R	MCR03EZPF49R9(49.9_1%)	1	4100037R2
R8043 or	CARBON R	CR16-49R9-FL	(1)	4100046R1
R8045	C-CARBON R	RN72K1J-331FE	1	435033312R1
R8046	C-CARBON R	RN72K1J-332FE	1	435033322R1
R8047	C-CARBON R	RN72K1J-271FE	1	435032712R1
R8048	C-CARBON R	RN72K1J-222FE	1	435032222R1



R8049	C-CARBON R	RN72K1J-750JE	1	435037504R1
R8050	C-CARBON R	RN72K1J-750JE	1	435037504R1
R8051	C-CARBON R	RN72K1J-103JE	1	435031034R1
R8052	C-CARBON R	RN72K1J-472JE	1	435034724R1
R8062	C-R NET	RM7LJ220X04	1	43484722004R2
R8062 or	C-R NET	YCN104-220-JK	( 1)	43464C22004R1
R8073	C-CARBON R	RN72K1J-182JE	1	435031824R1
R8074	C-CARBON R	RN72K1J-182JE	1	435031824R1
R8077	C-CARBON R	RN72K1J-104JE	1	435031044R1
R8078	C-CARBON R	RN72K1J-472JE	1	435034724R1
R8079	C-CARBON R	RN72K1J-473JE	1	435034734R1
R8080	C-CARBON R	RN72K1J-101JE	1	435031014R1
R8081	C-CARBON R	RN72K1J-101JE	1	435031014R1
R8082	C-CARBON R	RN72K1J-101JE	1	435031014R1
R8083	C-CARBON R	RN72K1J-101JE	1	435031014R1
R8084	C-CARBON R	RN72K1J-100JE	1	435031004R1
R8085	C-CARBON R	RN72K1J-100JE	1	435031004R1
R8086	C-CARBON R	RN72K1J-100JE	1	435031004R1
R8087	C-CARBON R	RN72K1J-823JE	1	435038234R1
R8088	C-CARBON R	RN72K1J-103JE	1	435031034R1
R8089	C-CARBON R	RN72K1J-330JE	1	435033304R1
R8090	C-CARBON R	RN72K1J-103JE	1	435031034R1
R8091	C-CARBON R	RN72K1J-220JE	1	435032204R1
R8092	C-CARBON R	RN72K1J-220JE	1	435032204R1
R8093	C-CARBON R	RN72K1J-220JE	1	435032204R1
R8094	C-CARBON R	RN72K1J-472JE	1	435034724R1
R8095	C-CARBON R	RN72K1J-105JE	1	435031054R1
R8096	C-CARBON R	RN72K1J-101JE	1	435031014R1
R8097	C-CARBON R	RN72K1J-101JE	1	435031014R1
R8098	C-CARBON R	RN72K1J-220JE	1	435032204R1
R8099	C-CARBON R	RN72K1J-102JE	1	435031024R1
R8100	C-CARBON R	RN72K1J-102JE	1	435031024R1
R8102	C-CARBON R	RN72K1J-472JE	1	435034724R1
R8103	C-CARBON R	RN72K1J-472JE	1	435034724R1
R8104	C-CARBON R	RN72K1J-472JE	1	435034724R1
R8105	C-CARBON R	RN72K1J-472JE	1	435034724R1
R8107	C-CARBON R	RN72K1J-472JE	1	435034724R1
R8108	C-CARBON R	RN72K1J-472JE	1	435034724R1
R8109	C-CARBON R	RN72K1J-472JE	1	435034724R1
R8110	C-CARBON R	RN72K1J-472JE	1	435034724R1
R8111	C-CARBON R	RN72K1J-101JE	1	435031014R1
R8112	C-CARBON R	RN72K1J-101JE	1	435031014R1
R8113	C-CARBON R	RN72K1J-101JE	1	435031014R1
R8114	C-CARBON R	RN72K1J-101JE	1	435031014R1
R8115	C-CARBON R	RN72K1J-104JE	1	435031044R1
R8116	C-CARBON R	RN72K1J-000JE	1	435030004R1

R8117	C-CARBON R	RN72K1J-470JE	1	435034704R1
R8118	C-CARBON R	RN72K1J-470JE	1	435034704R1
R8120	C-CARBON R	RN72K1J-472JE	1	435034724R1
R8122	C-CARBON R	RN72K1J-220JE	1	435032204R1
R8123	C-CARBON R	RN72K1J-220JE	1	435032204R1
R8124	C-CARBON R	RN72K1J-220JE	1	435032204R1
R8125	C-CARBON R	RN72K1J-220JE	1	435032204R1
R8126	C-CARBON R	RN72K1J-472JE	1	435034724R1
R8127	C-CARBON R	RN72K1J-472JE	1	435034724R1
R8128	C-CARBON R	RN72K1J-103JE	1	435031034R1
R8129	C-CARBON R	RN72K1J-103JE	1	435031034R1
R8201	C-CARBON R	RN72K1J-393JE	1	435033934R1
R8202	C-CARBON R	RN72K1J-102JE	1	435031024R1
R8203	C-CARBON R	RN72K1J-102JE	1	435031024R1
R8204	C-CARBON R	RN72K1J-330JE	1	435033304R1
R8206	C-CARBON R	RN72K1J-000JE	1	435030004R1
R8207	C-CARBON R	RN72K1J-000JE	1	435030004R1
R8208	C-CARBON R	RN72K1J-821JE	1	435038214R1
R8209	C-CARBON R	RN72K1J-472JE	1	435034724R1
R8213	C-CARBON R	RN72K1J-000JE	1	435030004R1
R8214	C-CARBON R	RN72K1J-000JE	1	435030004R1
R8215	C-CARBON R	RN72K1J-821JE	1	435038214R1
R8216	C-CARBON R	RN72K1J-000JE	1	435030004R1
R8217	C-CARBON R	RN72K1J-000JE	1	435030004R1
R8218	C-CARBON R	RN72K1J-821JE	1	435038214R1
R8219	C-R NET	RM7LJ330X04	1	43484733004R2
R8219 or	C-R NET	YCN104-330-JK	( 1 )	43464C33004R1
R8220	C-CARBON R	RN72K1J-680JE	1	435036804R1
R8221	C-CARBON R	RN72K1J-680JE	1	435036804R1
R8223	C-CARBON R	RN72K1J-560JE	1	435035604R1
R8224	C-CARBON R	RN72K1J-330JE	1	435033304R1
R8225	C-CARBON R	RN72K1J-221JE	1	435032214R1
R8226	C-CARBON R	RN72K1J-221JE	1	435032214R1
R8228	C-CARBON R	RN72K1J-221JE	1	435032214R1
R8229	C-CARBON R	RN72K1J-330JE	1	435033304R1
R8230	C-CARBON R	RN72K1J-101JE	1	435031014R1
R8231	C-CARBON R	RN72K1J-330JE	1	435033304R1
R8232	C-CARBON R	RN72K1J-102JE	1	435031024R1
R8233	C-CARBON R	RN72K1J-000JE	1	435030004R1
R8234	C-CARBON R	RN72K1J-393JE	1	435033934R1
R8235	C-CARBON R	RN72K1J-102JE	1	435031024R1
R8236	C-CARBON R	RN72K1J-330JE	1	435033304R1
R8237	C-CARBON R	RN72K1J-105JE	1	435031054R1
R8238	C-CARBON R	RN72K1J-331JE	1	435033314R1
R8239	C-CARBON R	RN72K1J-330JE	1	435033304R1
R8240	C-CARBON R	RN72K1J-681JE	1	435036814R1

R8241	C-CARBON R	RN72K1J-393JE	1	435033934R1
R8242	C-CARBON R	RN72K1J-102JE	1	435031024R1
R8243	C-CARBON R	RN72K1J-681JE	1	435036814R1
R8244	C-CARBON R	RN72K1J-330JE	1	435033304R1
R8245	C-CARBON R	RN72K1J-103JE	1	435031034R1
R8246	C-CARBON R	RN72K1J-330JE	1	435033304R1
R8247	C-CARBON R	RN72K1J-330JE	1	435033304R1
R8248	C-CARBON R	RN72K1J-100JE	1	435031004R1
R8249	C-CARBON R	RN72K1J-182JE	1	435031824R1
R8250	C-CARBON R	RN72K1J-103JE	1	435031034R1
R8251	C-CARBON R	RN72K1J-182JE	1	435031824R1
R8302	C-CARBON R	RN72K1J-103JE	1	435031034R1
R8303	C-CARBON R	RN72K1J-562JE	1	435035624R1
R8304	C-CARBON R	RN72K1J-000JE	1	435030004R1
R8305	C-CARBON R	RN72K1J-562JE	1	435035624R1
R8306	C-CARBON R	RN72K1J-562JE	1	435035624R1
R8307	C-CARBON R	RN72K1J-472JE	1	435034724R1
R8308	C-CARBON R	RN72K1J-562JE	1	435035624R1
R8309	C-CARBON R	RN72K1J-562JE	1	435035624R1
R8310	C-CARBON R	RN72K1J-562JE	1	435035624R1
R8311	C-CARBON R	RN72K1J-000JE	1	435030004R1
R8312	C-CARBON R	RN72K1J-100JE	1	435031004R1
R8313	C-CARBON R	RN72K1J-000JE	1	435030004R1
R8314	C-CARBON R	RN72K1J-000JE	1	435030004R1
R8315	C-CARBON R	RN72K1J-181JE	1	435031814R1
R8316	C-CARBON R	RN72K1J-181JE	1	435031814R1
R8317	C-CARBON R	RN72K1J-181JE	1	435031814R1
R8318	C-CARBON R	RN72K1J-181JE	1	435031814R1
R8319	C-CARBON R	RN72K1J-181JE	1	435031814R1
R8320	C-CARBON R	RN72K1J-181JE	1	435031814R1
R8321	C-CARBON R	RN72K1J-181JE	1	435031814R1
R8322	C-CARBON R	RN72K1J-181JE	1	435031814R1
R8323	C-CARBON R	RN72K1J-181JE	1	435031814R1
R8324	C-CARBON R	RN72K1J-181JE	1	435031814R1
R8325	C-CARBON R	RN72K1J-181JE	1	435031814R1
R8326	C-CARBON R	RN72K1J-181JE	1	435031814R1
R8327	C-CARBON R	RN72K1J-181JE	1	435031814R1
R8328	C-CARBON R	RN72K1J-181JE	1	435031814R1
R8329	C-CARBON R	RN72K1J-181JE	1	435031814R1
R8330	C-CARBON R	RN72K1J-220JE	1	435032204R1
R8331	C-CARBON R	RN72K1J-220JE	1	435032204R1
R8332	C-CARBON R	RN72K1J-220JE	1	435032204R1
R8333	C-CARBON R	RN72K1J-220JE	1	435032204R1
R8334	C-CARBON R	RN72K1J-473JE	1	435034734R1
R8335	C-CARBON R	RN72K1J-473JE	1	435034734R1
R8336	C-CARBON R	RN72K1J-473JE	1	435034734R1

R8337	C-CARBON R	RN72K1J-000JE	1	435030004R1
R8338	C-CARBON R	RN72K1J-000JE	1	435030004R1
R8339	C-CARBON R	RN72K1J-000JE	1	435030004R1
R8340	C-CARBON R	RN72K1J-222JE	1	435032224R1
R8341	C-CARBON R	RN72K1J-222JE	1	435032224R1
R8342	C-R NET	RM7LJ220X04	1	43484722004R2
R8342 or	C-R NET	YCN104-220-JK	( 1 )	43464C22004R1
R8343	C-R NET	RM7LJ220X04	1	43484722004R2
R8343 or	C-R NET	YCN104-220-JK	( 1 )	43464C22004R1
R8344	C-R NET	RM7LJ220X04	1	43484722004R2
R8344 or	C-R NET	YCN104-220-JK	( 1 )	43464C22004R1
R8345	C-R NET	RM7LJ220X04	1	43484722004R2
R8345 or	C-R NET	YCN104-220-JK	( 1 )	43464C22004R1
R8346	C-CARBON R	RN72K1J-220JE	1	435032204R1
R8347	C-CARBON R	RN72K1J-000JE	1	435030004R1
R8348	C-CARBON R	RN72K1J-000JE	1	435030004R1
R8349	C-CARBON R	RN72K1J-000JE	1	435030004R1
R8350	C-CARBON R	RN72K1J-100JE	1	435031004R1
R8351	C-CARBON R	RN72K1J-100JE	1	435031004R1
R8352	C-CARBON R	RN72K1J-100JE	1	435031004R1
R8353	C-CARBON R	RN72K1J-100JE	1	435031004R1
R8354	C-CARBON R	RN72K1J-100JE	1	435031004R1
R8355	C-CARBON R	RN72K1J-100JE	1	435031004R1
R8357	C-CARBON R	RN72K1J-101JE	1	435031014R1
R8358	C-CARBON R	RN72K1J-102JE	1	435031024R1
R8359	C-CARBON R	RN72K1J-124JE	1	435031244R1
R8360	C-CARBON R	RN72K1J-102JE	1	435031024R1
R8387	C-CARBON R	RN72K1J-000JE	1	435030004R1
R8388	C-CARBON R	RN72K1J-182JE	1	435031824R1
R8389	C-CARBON R	RN72K1J-182JE	1	435031824R1
R8391	C-CARBON R	RN72K1J-473JE	1	435034734R1
R8600	C-CARBON R	RN72K1J-000JE	1	435030004R1
R8601	C-CARBON R	RN72K1J-472JE	1	435034724R1
R8602	C-CARBON R	RN72K1J-472JE	1	435034724R1
R8603	C-CARBON R	RN72K1J-332JE	1	435033324R1
R8606	C-CARBON R	RN72K1J-103JE	1	435031034R1
R8607	C-CARBON R	RN72K1J-474JE	1	435034744R1
R8608	C-CARBON R	RN72K1J-154JE	1	435031544R1
R8609	C-CARBON R	RN72K1J-103JE	1	435031034R1
R8610	C-CARBON R	RN72K1J-000JE	1	435030004R1
R8613	C-CARBON R	RN72K1J-473JE	1	435034734R1
R8614	C-CARBON R	RN72K1J-473JE	1	435034734R1
R8615	C-CARBON R	RN72K1J-154JE	1	435031544R1
R8616	C-CARBON R	RN72K1J-472JE	1	435034724R1
R8617	C-CARBON R	RN72K1J-472JE	1	435034724R1
R8618	C-CARBON R	RN72K1J-100JE	1	435031004R1

R8619	C-CARBON R	RN72K1J-473JE	1	435034734R1	
R8620	C-CARBON R	RN72K1J-473JE	1	435034734R1	
R8623	C-CARBON R	RN72K1J-473JE	1	435034734R1	
R8624	C-CARBON R	RN72K1J-473JE	1	435034734R1	
R8628	C-CARBON R	RN72K1J-100JE	1	435031004R1	
R8633	C-CARBON R	RN72K1J-473JE	1	435034734R1	
R8634	C-CARBON R	RN72K1J-473JE	1	435034734R1	
R8638	C-CARBON R	RN72K1J-100JE	1	435031004R1	
R8643	C-CARBON R	RN72K1J-473JE	1	435034734R1	
R8644	C-CARBON R	RN72K1J-473JE	1	435034734R1	
R8648	C-CARBON R	RN72K1J-100JE	1	435031004R1	
R8653	C-CARBON R	RN72K1J-473JE	1	435034734R1	
R8654	C-CARBON R	RN72K1J-473JE	1	435034734R1	
R8663	C-CARBON R	RN72K1J-473JE	1	435034734R1	
R8664	C-CARBON R	RN72K1J-473JE	1	435034734R1	
R8670	C-CARBON R	RN72K1J-103JE	1	435031034R1	
R8673	C-CARBON R	RN72K1J-473JE	1	435034734R1	
R8674	C-CARBON R	RN72K1J-473JE	1	435034734R1	
R8676	C-CARBON R	RN72K1J-101JE	1	435031014R1	
R8677	C-CARBON R	RN72K1J-153JE	1	435031534R1	
R8679	C-CARBON R	RN72K1J-473JE	1	435034734R1	
R8680	C-CARBON R	RN72K1J-472JE	1	435034724R1	
R8681	C-CARBON R	RN72K1J-000JE	1	435030004R1	
R8682	C-CARBON R	RN72K1J-103JE	1	435031034R1	
R8683	C-CARBON R	RN72K1J-473JE	1	435034734R1	
R8684	C-CARBON R	RN72K1J-473JE	1	435034734R1	
R8685	C-CARBON R	RN72K1J-000JE	1	435030004R1	
R8686	C-CARBON R	RN72K1J-000JE	1	435030004R1	
R8687	C-CARBON R	RN72K1J-101JE	1	435031014R1	
R8688	C-CARBON R	RN72K1J-103JE	1	435031034R1	
R8689	C-CARBON R	RN72K1J-473JE	1	435034734R1	
R8690	C-CARBON R	RN72K1J-101JE	1	435031014R1	
R8691	C-CARBON R	RN72K1J-473JE	1	435034734R1	
R8692	C-CARBON R	RN72K1J-103JE	1	435031034R1	
R8693	C-CARBON R	RN72K1J-103JE	1	435031034R1	
R8694	C-CARBON R	RN72K1J-000JE	1	435030004R1	
R8695	C-CARBON R	RN72K1J-000JE	1	435030004R1	
R8696	C-CARBON R	RN72K1J-000JE	1	435030004R1	
R8697	C-R NET	RM7LJ051X04	1	43484705104R2	N
R8697 or	C-R NET	YCN104-5R1-JK	(1)	43484C05104R1	N
R8698	C-R NET	RM7LJ051X04	1	43484705104R2	N
R8698 or	C-R NET	YCN104-5R1-JK	(1)	43484C05104R1	N
R8699	C-CARBON R	RN72K1J-821JE	1	435038214R1	
R8701	C-CARBON R	RN72K1J-103JE	1	435031034R1	
R8702	C-CARBON R	RN72K1J-000JE	1	435030004R1	
R8703	C-CARBON R	RN72K1J-103JE	1	435031034R1	

R8704	C-CARBON R	RN72K1J-103JE	1	435031034R1
R8705	C-CARBON R	RN72K1J-222JE	1	435032224R1
R8706	C-CARBON R	RN72K1J-103JE	1	435031034R1
R8707	C-CARBON R	RN72K1J-103JE	1	435031034R1
R8708	C-CARBON R	RN72K1J-222JE	1	435032224R1
R8710	C-CARBON R	RN72K1J-222JE	1	435032224R1
R8711	C-CARBON R	RN72K1J-222JE	1	435032224R1
R8712	C-CARBON R	RN72K1J-000JE	1	435030004R1
R8713	C-CARBON R	RN72K1J-000JE	1	435030004R1
R8714	C-CARBON R	RN72K1J-222JE	1	435032224R1
R8715	C-CARBON R	RN72K1J-222JE	1	435032224R1
R8716	C-CARBON R	RN72K1J-222JE	1	435032224R1
R8717	C-CARBON R	RN72K1J-222JE	1	435032224R1
R8718	C-R NET	RM7LJ103X04	1	43484710304R2
R8718 or	C-R NET	YCN104-103-JK	( 1 )	43464C10304R1
R8721	C-CARBON R	RN72K1J-103JE	1	435031034R1
R8722	C-CARBON R	RN72K1J-222JE	1	435032224R1
R8723	C-CARBON R	RN72K1J-222JE	1	435032224R1
R8724	C-CARBON R	RN72K1J-473JE	1	435034734R1
R8725	C-CARBON R	RN72K1J-103JE	1	435031034R1
R8726	C-CARBON R	RN72K1J-220JE	1	435032204R1
R8727	C-R NET	RM7LJ103X04	1	43484710304R2
R8727 or	C-R NET	YCN104-103-JK	( 1 )	43464C10304R1
R8728	C-CARBON R	RN72K1J-103JE	1	435031034R1
R8729	C-CARBON R	RN72K1J-000JE	1	435030004R1
R8730	C-CARBON R	RN72K1J-103JE	1	435031034R1
R8731	C-CARBON R	RN72K1J-331JE	1	435033314R1
R8732	C-CARBON R	RN72K1J-472JE	1	435034724R1
R8733	C-CARBON R	RN72K1J-472JE	1	435034724R1
R8734	C-CARBON R	RN72K1J-153JE	1	435031534R1
R8735	C-CARBON R	RN72K1J-103JE	1	435031034R1
R8736	C-CARBON R	RN72K1J-103JE	1	435031034R1
R8737	C-CARBON R	RN72K1J-222JE	1	435032224R1
R8738	C-CARBON R	RN72K1J-222JE	1	435032224R1
R8739	C-CARBON R	RN72K1J-472JE	1	435034724R1
R8740	C-CARBON R	RN72K1J-472JE	1	435034724R1
R8741	C-CARBON R	RN72K1J-103JE	1	435031034R1
R8742	C-CARBON R	RN72K1J-000JE	1	435030004R1
R8743	C-CARBON R	RN72K1J-000JE	1	435030004R1
R8745	C-CARBON R	RN72K1J-103JE	1	435031034R1
R8747	C-CARBON R	RN72K1J-220JE	1	435032204R1
R8748	C-CARBON R	RN72K1J-470JE	1	435034704R1
R8749	C-CARBON R	RN72K1J-470JE	1	435034704R1
R8751	C-CARBON R	RN72K1J-473JE	1	435034734R1
R8752	C-CARBON R	RN72K1J-473JE	1	435034734R1
R8753	C-CARBON R	RN72K1J-472JE	1	435034724R1

R8754	C-CARBON R	RN72K1J-223JE	1	435032234R1
R8755	C-CARBON R	RN72K1J-331JE	1	435033314R1
R8756	C-CARBON R	RN72K1J-122JE	1	435031224R1
R8757	C-CARBON R	RN72K1J-182JE	1	435031824R1
R8901	C-CARBON R	RN72K1J-103JE	1	435031034R1
R8902	C-CARBON R	RN72K1J-393JE	1	435033934R1
R8906	C-CARBON R	RN72K1J-272JE	1	435032724R1
R8907	C-CARBON R	RN72K1J-223JE	1	435032234R1
R8908	C-CARBON R	RN72K1J-103JE	1	435031034R1
R8909	C-CARBON R	RN72K1J-334JE	1	435033344R1
R8910	C-CARBON R	RN72K1J-103JE	1	435031034R1
R8911	C-CARBON R	RN72K1J-682JE	1	435036824R1
R8912	C-CARBON R	RN72K1J-104JE	1	435031044R1
R8913	C-CARBON R	RN72K1J-473JE	1	435034734R1
R8919	C-CARBON R	RN72K1J-473JE	1	435034734R1
R8931	C-CARBON R	RN72K1J-102JE	1	435031024R1
R8932	C-CARBON R	RN72K1J-104JE	1	435031044R1
R8933	C-CARBON R	RN72K1J-182JE	1	435031824R1
R8934	C-CARBON R	RN72K1J-682FE	1	435036822R1
R8936	C-CARBON R	RN72K1J-103FE	1	435031032R1
R8941	C-CARBON R	RN72K1J-102JE	1	435031024R1
R8942	C-CARBON R	RN72K1J-104JE	1	435031044R1
R8943	C-CARBON R	RN72K1J-332JE	1	435033324R1
R8944	C-CARBON R	RN72K1J-273FE	1	435032732R1
R8945	C-CARBON R	RN72K1J-273FE	1	435032732R1
R8946	C-CARBON R	RN72K1J-103FE	1	435031032R1
R8951	C-CARBON R	RN72K1J-102JE	1	435031024R1
R8952	C-CARBON R	RN72K1J-104JE	1	435031044R1
R8953	C-CARBON R	RN72K1J-562JE	1	435035624R1
R8954	C-CARBON R	RN72K1J-333FE	1	435033332R1
R8955	C-CARBON R	RN72K1J-824FE	1	435038242R1
R8956	C-CARBON R	RN72K1J-103FE	1	435031032R1
R8961	C-CARBON R	RN72K1J-104JE	1	435031044R1
R8962	C-CARBON R	RN72K1J-104JE	1	435031044R1
R8963	C-CARBON R	RN72K1J-822JE	1	435038224R1
R8964	C-CARBON R	RN72K1J-563FE	1	435035632R1
R8966	C-CARBON R	RN72K1J-103FE	1	435031032R1
<b>[SW TRM]</b>				
E8661	CRIMP AS	---	1	2061712080UL
JL501B	WIRE TRAP	NPLG-3P586	1	25055624
JL801B	SOCKET	NSCT-3P95	1	25050267
JL861A	WIRE HOL	NSCT-9P880	1	25051093
JL861B	WIRE TRAP	NPLG-9P592	1	25055630
JL901B	WIRE TRAP	NPLG-5P588	1	25055626
P2800B	SOCKET	IMSA-9618S-13A	1	25053338R2
P2800Bor	SOCKET	13FMN-SMT-A-TF	(1)	25052830R2



P2801B	SOCKET	IMSA-9618S-09A	1	25053334R2
P2801Bor	SOCKET	09FMN-SMT-A-TF	(1)	25052826R2
P3101A	PLUG	NPLG-5P918	1	25055965R2
P3102A	SOCKET	NSCT-9P2472	1	25052575R2
P3103A	SOCKET	C00124K221700	1	25053410
P3104	SOCKET	RB1-105B8A1F	1	25053409
P3104 or	SOCKET	SI-60073-F	(1)	25053307
P3104 or	SOCKET	EJFR0002	(1)	25056668
P701A	SOCKET	IMSA-9618S-23A	1	25053348R2
P701Aor	SOCKET	23FMN-SMT-A-TF	(1)	25052840R2
P751A	SOCKET	NSCT-9P2472	1	25052575R2
P8001B	SOCKET	IMSA-9111S-24L	1	25053259
P8002B	SOCKET	IMSA-9111S-16L	1	25053258
P8003B	SOCKET	IMSA-9111S-16L	1	25053258
P8004B	SOCKET	IMSA-9618S-07A	1	25053332R2
P8004Bor	SOCKET	07FMN-SMT-A-TF	(1)	25052824R2
P8005	TRM-423(SCREW)	NEJITANSI ST3	1	25060495
P801	PLUG	NPLG-2P83	1	25055099
P8030	SOCKET	IMSA-9618S-04A	1	25053329R2
P8030 or	SOCKET	04FMN-SMT-A-TF	(1)	25052821R2
P8101	SOCKET	TCX3400-111387	1	25053406R3
P8101 or	SOCKET	HDMI(47266-4101)	(1)	25053389R3
P8102	SOCKET	TCX3400-111387	1	25053406R3
P8102 or	SOCKET	HDMI(47266-4101)	(1)	25053389R3
P8104	SOCKET	NSCT-8P2471	1	25052574R2
P8601	SOCKET	TCX3400-111387	1	25053406R3
P8601 or	SOCKET	HDMI(47266-4101)	(1)	25053389R3
P8611	SOCKET	TCX3400-111387	1	25053406R3
P8611 or	SOCKET	HDMI(47266-4101)	(1)	25053389R3
P8621	SOCKET	TCX3400-111387	1	25053406R3
P8621 or	SOCKET	HDMI(47266-4101)	(1)	25053389R3
P8631	SOCKET	TCX3400-111387	1	25053406R3
P8631 or	SOCKET	HDMI(47266-4101)	(1)	25053389R3
P8641	SOCKET	TCX3400-111387	1	25053406R3
P8641 or	SOCKET	HDMI(47266-4101)	(1)	25053389R3
P8651	SOCKET	TCX3400-111387	1	25053406R3
P8651 or	SOCKET	HDMI(47266-4101)	(1)	25053389R3
P8661	SOCKET	TCX3400-111387	1	25053406R3
P8661 or	SOCKET	HDMI(47266-4101)	(1)	25053389R3
P8671	SOCKET	TCX3400-111387	1	25053406R3
P8671 or	SOCKET	HDMI(47266-4101)	(1)	25053389R3
P8681	SOCKET	TCX3255-611187	1	25053413R3
P8682	SOCKET	TCX3400-111387	1	25053406R3
P8682 or	SOCKET	HDMI(47266-4101)	(1)	25053389R3
P8702	SOCKET	NSCT-9P2472	1	25052575R2
P8710	PLUG	NPLG-2P568	1	25055600

P8901	SOCKET	NSCT-8P2471	1	25052574R2	
<b>U006</b>	U0060 x 4 pcs.	<b>BADG-1087-1A *</b>			
<b>U0060</b>	DIGITAL PC BOARD ASS'Y	BADG-1087-1A			
CIRCUIT PART NAME	DESCRIPTION	Q'TY	PART NO. (SN)	REMARKS	
<b>[SEMI CONDUCTOR]</b>					
D1000	C-DIODE	DA2J10100	1	223303R2	
D1000 or	C-DIODE	1SS352	(1)	223234R2	
D1000 or	C-DIODE	1SS355	(1)	223269R2	
D1000 or	C-DIODE	MA2J111	(1)	223279R2	
D1000 or	C-DIODE	KDS4148U	(1)	223283R2	
D1001	C-DIODE	DA2J10100	1	223303R2	
D1001 or	C-DIODE	1SS352	(1)	223234R2	
D1001 or	C-DIODE	1SS355	(1)	223269R2	
D1001 or	C-DIODE	MA2J111	(1)	223279R2	
D1001 or	C-DIODE	KDS4148U	(1)	223283R2	
Q1000	IC	TC74HCU04AF	1	222740046R2TO	
Q1401	IC	NJM4580M-D	1	22241448R2	<B MJJ>
Q1411	IC	NJM4580M-D	1	22241448R2	<B MJJ>
Q1421	IC	NJM4580M-D	1	22241448R2	<B MJJ>
Q1501	IC	NJM4580M-D	1	22241448R2	
Q1502	IC	NJM4580M-D	1	22241448R2	
Q1503	IC	NJM4580M-D	1	22241448R2	
Q1504	IC	NJM4580M-D	1	22241448R2	
Q1581	IC	NJM4580M-D	1	22241448R2	
<b>[TRANS COIL]</b>					
L1000	CHOKE COIL	LBC2518T2R2M	1	231364M022R2	
L1001	CHOKE COIL	LBC2518T2R2M	1	231364M022R2	
L1002	CHOKE COIL	LBC2518T2R2M	1	231364M022R2	
L1003	CHOKE COIL	LBC2518T470M	1	231364M470R2	
L1004	CHOKE COIL	LBC2518T470M	1	231364M470R2	
L1005	EMIFIL	BK1608HS102-T	1	230955R2	
L1006	EMIFIL	BK1608HS102-T	1	230955R2	
<b>[CAPACITOR]</b>					
C1000	C-CERA C	CK725F1E-104Z1	1	332161040R1	
C1001	C-CERA C	CC725CH1H-101J1	1	342101014R1	
C1002	C-CERA C	CC725CH1H-101J1	1	342101014R1	
C1003	C-CERA C	CK725B1C-104K1	1	332121045R1	
C1004	C-CERA C	CK725B1C-104K1	1	332121045R1	
C1005	C-CERA C	CC725CH1H-080D1	1	342100802R1	
C1006	C-CERA C	CC725CH1H-080D1	1	342100802R1	
C1007	UTSP C	CE04W10V-220M(UTSP)	1	397532217T	
C1008	C-CERA C	CK725F1E-104Z1	1	332161040R1	
C1009	C-CERA C	CK725F1E-104Z1	1	332161040R1	

C1010	C-CERA C	CK725F1E-104Z1	1	332161040R1	
C1011	C-CERA C	CC725CH1H-330J1	1	342103304R1	
C1012	C-CERA C	CC725CH1H-330J1	1	342103304R1	
C1013	UTSP C	CE04W10V-220M(UTSP)	1	397532217T	
C1400	C-FILM C	ECHU50V-122J	1	373021224R2	<B MJJ>
C1401	C-FILM C	ECHU50V-122J	1	373021224R2	<B MJJ>
C1410	UPZ C	2AUPZTF471JE	1	376334714T	<B MJJ>
C1411	UPZ C	2AUPZTF471JE	1	376334714T	<B MJJ>
C1500	UPZ C	2AUPZTF331JE	1	376333314T	<B MJJ>
C1500	UPZ C	2AUPZTF471JE	1	376334714T	<B MDC, MDD, MDF, MMA, MMB, MMP, MMQ, MMR>
C1501	UPZ C	2AUPZTF331JE	1	376333314T	<B MJJ>
C1501	UPZ C	2AUPZTF471JE	1	376334714T	<B MDC, MDD, MDF, MMA, MMB, MMP, MMQ, MMR>
C1502	UPZ C	2AUPZTF471JE	1	376334714T	
C1503	UPZ C	2AUPZTF471JE	1	376334714T	
C1504	UPZ C	2AUPZTF471JE	1	376334714T	
C1505	UPZ C	2AUPZTF471JE	1	376334714T	
C1506	UPZ C	2AUPZTF471JE	1	376334714T	
C1507	UPZ C	2AUPZTF471JE	1	376334714T	
C1510	CERA C	CC45SL50V-470J	1	345024704T	<B MJJ>
C1510	UPZ C	2AUPZTF101JE	1	376331014T	<B MDC, MDD, MDF, MMA, MMB, MMP, MMQ, MMR>
C1511	CERA C	CC45SL50V-470J	1	345024704T	<B MJJ>
C1511	UPZ C	2AUPZTF101JE	1	376331014T	<B MDC, MDD, MDF, MMA, MMB, MMP, MMQ, MMR>
C1512	UPZ C	2AUPZTF101JE	1	376331014T	
C1513	C-CERA C	CC725CH1H-101J1	1	342101014R1	
C1514	C-CERA C	CC725CH1H-101J1	1	342101014R1	
C1515	C-CERA C	CC725CH1H-101J1	1	342101014R1	
C1516	C-CERA C	CC725CH1H-101J1	1	342101014R1	
C1517	UPZ C	2AUPZTF101JE	1	376331014T	
C1520	CERA C	CC45SL50V-470J	1	345024704T	<B MJJ>
C1520	UPZ C	2AUPZTF101JE	1	376331014T	<B MDC, MDD, MDF, MMA, MMB, MMP, MMQ, MMR>
C1521	CERA C	CC45SL50V-470J	1	345024704T	<B MJJ>
C1521	UPZ C	2AUPZTF101JE	1	376331014T	<B MDC, MDD, MDF, MMA, MMB, MMP, MMQ, MMR>
C1522	UPZ C	2AUPZTF101JE	1	376331014T	
C1523	C-CERA C	CC725CH1H-101J1	1	342101014R1	
C1524	C-CERA C	CC725CH1H-101J1	1	342101014R1	
C1525	C-CERA C	CC725CH1H-101J1	1	342101014R1	
C1526	C-CERA C	CC725CH1H-101J1	1	342101014R1	
C1527	UPZ C	2AUPZTF101JE	1	376331014T	
C1580	UTSP C	CE04W50V-10M(UTSP)	1	397581007T	
C1581	UTSP C	CE04W50V-10M(UTSP)	1	397581007T	
C1582	C-CERA C	CC725CH1H-102J1	1	342101024R1	
C1583	C-CERA C	CC725CH1H-102J1	1	342101024R1	
C1584	C-CERA C	CC725CH1H-151J1	1	342101514R1	
C1585	C-CERA C	CC725CH1H-151J1	1	342101514R1	
C1598	UTSP C	CE04W25V-220M(UTSP)	1	397552217T	
C1599	UTSP C	CE04W25V-220M(UTSP)	1	397552217T	

[RESISTOR]					
R1000	C-CARBON R	RN72K1J-331JE	1	435033314R1	
R1001	C-CARBON R	RN72K1J-750JE	1	435037504R1	
R1002	C-CARBON R	RN72K1J-750JE	1	435037504R1	
R1003	C-CARBON R	RN72K1J-100JE	1	435031004R1	
R1004	C-CARBON R	RN72K1J-100JE	1	435031004R1	
R1005	C-CARBON R	RN72K1J-224JE	1	435032244R1	
R1006	C-CARBON R	RN72K1J-224JE	1	435032244R1	
R1007	C-CARBON R	RN72K1J-103JE	1	435031034R1	
R1008	C-CARBON R	RN72K1J-103JE	1	435031034R1	
R1009	C-CARBON R	RN72K1J-823JE	1	435038234R1	
R1010	C-CARBON R	RN72K1J-823JE	1	435038234R1	
R1011	C-CARBON R	RN72K1J-470JE	1	435034704R1	
R1012	C-CARBON R	RN72K1J-470JE	1	435034704R1	
R1400	C-CARBON R	RN72K1J-103JE	1	435031034R1	<B MJJ>
R1401	C-CARBON R	RN72K1J-103JE	1	435031034R1	<B MJJ>
R1402	C-CARBON R	RN72K1J-000JE	1	435030004R1	<B MDC, MDD, MDF, MMA, MMB, MMP, MMQ, MMR>
R1403	C-CARBON R	RN72K1J-000JE	1	435030004R1	<B MDC, MDD, MDF, MMA, MMB, MMP, MMQ, MMR>
R1410	C-CARBON R	RN72K1J-103JE	1	435031034R1	<B MJJ>
R1411	C-CARBON R	RN72K1J-103JE	1	435031034R1	<B MJJ>
R1420	C-CARBON R	RN72K1J-152JE	1	435031524R1	<B MJJ>
R1421	C-CARBON R	RN72K1J-152JE	1	435031524R1	<B MJJ>
R1430	C-CARBON R	RN72K1J-223JE	1	435032234R1	<B MJJ>
R1431	C-CARBON R	RN72K1J-223JE	1	435032234R1	<B MJJ>
R1440	C-CARBON R	RN72K1J-223JE	1	435032234R1	<B MJJ>
R1441	C-CARBON R	RN72K1J-223JE	1	435032234R1	<B MJJ>
R1450	C-CARBON R	RN72K1J-223JE	1	435032234R1	<B MJJ>
R1451	C-CARBON R	RN72K1J-223JE	1	435032234R1	<B MJJ>
R1460	C-CARBON R	RN72K1J-223JE	1	435032234R1	<B MJJ>
R1461	C-CARBON R	RN72K1J-223JE	1	435032234R1	<B MJJ>
R1470	C-CARBON R	RN72K1J-152JE	1	435031524R1	<B MJJ>
R1471	C-CARBON R	RN72K1J-152JE	1	435031524R1	<B MJJ>
R1480	C-CARBON R	RN72K1J-152JE	1	435031524R1	<B MJJ>
R1481	C-CARBON R	RN72K1J-152JE	1	435031524R1	<B MJJ>
R1500	C-CARBON R	RN72K1J-153JE	1	435031534R1	
R1501	C-CARBON R	RN72K1J-153JE	1	435031534R1	
R1502	C-CARBON R	RN72K1J-153JE	1	435031534R1	
R1503	C-CARBON R	RN72K1J-153JE	1	435031534R1	
R1504	C-CARBON R	RN72K1J-153JE	1	435031534R1	
R1505	C-CARBON R	RN72K1J-153JE	1	435031534R1	
R1506	C-CARBON R	RN72K1J-153JE	1	435031534R1	
R1507	C-CARBON R	RN72K1J-153JE	1	435031534R1	
R1510	C-CARBON R	RN72K1J-153JE	1	435031534R1	
R1511	C-CARBON R	RN72K1J-153JE	1	435031534R1	
R1512	C-CARBON R	RN72K1J-153JE	1	435031534R1	
R1513	C-CARBON R	RN72K1J-153JE	1	435031534R1	

R1514	C-CARBON R	RN72K1J-153JE	1	435031534R1	
R1515	C-CARBON R	RN72K1J-153JE	1	435031534R1	
R1516	C-CARBON R	RN72K1J-153JE	1	435031534R1	
R1517	C-CARBON R	RN72K1J-153JE	1	435031534R1	
R1520	C-CARBON R	RN72K1J-103JE	1	435031034R1	<B MDC, MDD, MDF, MMA, MMB, MMP, MMQ, MMR>
R1520	C-CARBON R	RN72K1J-223JE	1	435032234R1	<B MJJ>
R1521	C-CARBON R	RN72K1J-103JE	1	435031034R1	<B MDC, MDD, MDF, MMA, MMB, MMP, MMQ, MMR>
R1521	C-CARBON R	RN72K1J-223JE	1	435032234R1	<B MJJ>
R1530	C-CARBON R	RN72K1J-103JE	1	435031034R1	<B MDC, MDD, MDF, MMA, MMB, MMP, MMQ, MMR>
R1530	C-CARBON R	RN72K1J-223JE	1	435032234R1	<B MJJ>
R1531	C-CARBON R	RN72K1J-103JE	1	435031034R1	<B MDC, MDD, MDF, MMA, MMB, MMP, MMQ, MMR>
R1531	C-CARBON R	RN72K1J-223JE	1	435032234R1	<B MJJ>
R1540	C-CARBON R	RN72K1J-123JE	1	435031234R1	<B MDC, MDD, MDF, MMA, MMB, MMP, MMQ, MMR>
R1540	C-CARBON R	RN72K1J-223JE	1	435032234R1	<B MJJ>
R1541	C-CARBON R	RN72K1J-123JE	1	435031234R1	<B MDC, MDD, MDF, MMA, MMB, MMP, MMQ, MMR>
R1541	C-CARBON R	RN72K1J-223JE	1	435032234R1	<B MJJ>
R1542	C-CARBON R	RN72K1J-223JE	1	435032234R1	
R1543	C-CARBON R	RN72K1J-223JE	1	435032234R1	
R1544	C-CARBON R	RN72K1J-223JE	1	435032234R1	
R1545	C-CARBON R	RN72K1J-223JE	1	435032234R1	
R1546	C-CARBON R	RN72K1J-223JE	1	435032234R1	
R1547	C-CARBON R	RN72K1J-223JE	1	435032234R1	
R1550	C-CARBON R	RN72K1J-123JE	1	435031234R1	<B MDC, MDD, MDF, MMA, MMB, MMP, MMQ, MMR>
R1550	C-CARBON R	RN72K1J-223JE	1	435032234R1	<B MJJ>
R1551	C-CARBON R	RN72K1J-123JE	1	435031234R1	<B MDC, MDD, MDF, MMA, MMB, MMP, MMQ, MMR>
R1551	C-CARBON R	RN72K1J-223JE	1	435032234R1	<B MJJ>
R1552	C-CARBON R	RN72K1J-223JE	1	435032234R1	
R1553	C-CARBON R	RN72K1J-223JE	1	435032234R1	
R1554	C-CARBON R	RN72K1J-223JE	1	435032234R1	
R1555	C-CARBON R	RN72K1J-223JE	1	435032234R1	
R1556	C-CARBON R	RN72K1J-223JE	1	435032234R1	
R1557	C-CARBON R	RN72K1J-223JE	1	435032234R1	
R1560	C-CARBON R	RN72K1J-182JE	1	435031824R1	<B MDC, MDD, MDF, MMA, MMB, MMP, MMQ, MMR>
R1560	C-CARBON R	RN72K1J-222JE	1	435032224R1	<B MJJ>
R1561	C-CARBON R	RN72K1J-182JE	1	435031824R1	<B MDC, MDD, MDF, MMA, MMB, MMP, MMQ, MMR>
R1561	C-CARBON R	RN72K1J-222JE	1	435032224R1	<B MJJ>
R1562	C-CARBON R	RN72K1J-182JE	1	435031824R1	
R1563	C-CARBON R	RN72K1J-182JE	1	435031824R1	
R1564	C-CARBON R	RN72K1J-182JE	1	435031824R1	
R1565	C-CARBON R	RN72K1J-182JE	1	435031824R1	
R1566	C-CARBON R	RN72K1J-182JE	1	435031824R1	
R1567	C-CARBON R	RN72K1J-182JE	1	435031824R1	
R1570	C-CARBON R	RN72K1J-182JE	1	435031824R1	<B MDC, MDD, MDF, MMA, MMB, MMP, MMQ, MMR>
R1570	C-CARBON R	RN72K1J-222JE	1	435032224R1	<B MJJ>
R1571	C-CARBON R	RN72K1J-182JE	1	435031824R1	<B MDC, MDD, MDF, MMA, MMB, MMP, MMQ, MMR>
R1571	C-CARBON R	RN72K1J-222JE	1	435032224R1	<B MJJ>

R1572	C-CARBON R	RN72K1J-182JE	1	435031824R1	
R1573	C-CARBON R	RN72K1J-182JE	1	435031824R1	
R1574	C-CARBON R	RN72K1J-182JE	1	435031824R1	
R1575	C-CARBON R	RN72K1J-182JE	1	435031824R1	
R1576	C-CARBON R	RN72K1J-182JE	1	435031824R1	
R1577	C-CARBON R	RN72K1J-182JE	1	435031824R1	
R1580	C-CARBON R	RN72K1J-104JE	1	435031044R1	
R1581	C-CARBON R	RN72K1J-104JE	1	435031044R1	
R1582	C-CARBON R	RN72K1J-332JE	1	435033324R1	
R1583	C-CARBON R	RN72K1J-332JE	1	435033324R1	
R1584	C-CARBON R	RN72K1J-472JE	1	435034724R1	
R1585	C-CARBON R	RN72K1J-472JE	1	435034724R1	
R1586	C-CARBON R	RN72K1J-562JE	1	435035624R1	
R1587	C-CARBON R	RN72K1J-562JE	1	435035624R1	
R1598	C-CARBON R	RN72K1J-220JE	1	435032204R1	
R1599	C-CARBON R	RN72K1J-220JE	1	435032204R1	
<b>[SW TRM]</b>					
P1000	ST JACK	MSJ-035-22	1	25045887	
P1001	PIN JACK	NPJ-2PDOO626	1	25045847	
P5502A	SOCKET	NSCT-20P2200	1	25052303	
P5503A	SOCKET	NSCT-7P2187	1	25052290	
P5504A	SOCKET	NSCT-13P2193	1	25052296	
P5511A	TRM	NTM-1P233(M1969)	1	25060302	
P703B	SOCKET	NSCT-7P2398	1	25052501	
P8001A	PLUG	IMSA-9111B-24	1	25056625	
P8002A	PLUG	IMSA-9111B-16	1	25056620	
P8003A	PLUG	IMSA-9111B-16	1	25056620	
<b>[TUNER UNIT]</b>					
U1001	PHT CP	JSR1165-001recieving	1	24120143	
U1002	PHT CP	JSR1165-001recieving	1	24120143	
<b>U008 U0080 x 4 pcs. BAPS-1120-1A/1B *</b>					
<b>U0080 POWER SUPPLY PC BOARD ASS'Y BAPS-1120-1A/1B</b>					
<b>CIRCUIT PART NAME DESCRIPTION Q'TY PART NO. (SN) REMARKS</b>					
<b>[SEMI CONDUCTOR]</b>					
D9001	DIODE	S1WB(A)60B-7062	1	22380377R2	N
D9002	SPCF D	P6SMB200A-M3/52T	1	225505R2	N
D9003	DIODE	US1K-E3/61T	1	22380376R2	N
D9004	DIODE	RF301B2STL	1	22380374R2	N
D9006	DIODE	M1FL20U	1	223276R2	
D9008	DIODE	RB050M-30GTR	1	22380373R2	
D9011	C-DIODE	KDS4148U	1	223283R2	
D9011 or	C-DIODE	1SS352	(1)	223234R2	
D9011 or	C-DIODE	1SS355	(1)	223269R2	

D9011 or	C-DIODE	MA2J111	( 1)	223279R2	
D9012	ZENER D	UDZS36B	1	224553600R2	
D9013	ZENER D	UDZS6.8B	1	224550680R2	
D9014	ZENER D	UDZS6.8B	1	224550680R2	
D9015	ZENER D	UDZS7.5B	1	224550750R2	
D9016	ZENER D	UDZS7.5B	1	224550750R2	
D9017	ZENER D	UDZS7.5B	1	224550750R2	
Q9001	IC	MIP2M40MSSCF	1	22242769	N
Q9002	IC	PS2561DL1-1Y-A(Q)	1	22242794	!
Q9002 or	IC	PC123X8YFZ0F	( 1)	22242771	!
Q9003	IC	PS2561DL1-1Y-A(Q)	1	22242794	!
Q9003 or	IC	PC123X8YFZ0F	( 1)	22242771	!
Q9004	IC	KIA431A-AT/P	1	22242770T	N
Q9005	TR	KRC102S	1	2216190R2	
Q9005 or	TR	RN1402	( 1)	2214470R2	
<b>[TRANS COIL]</b>					
L9001	CHOKO COIL	ELF15N004A	1	231453	!
L9002	CHOKO COIL	RCR1010NP-100M	1	231449M100	N
L9004	CORE	BLM18PG181SN1D	1	2350005R1	
L9005	CORE	BLM18PG181SN1D	1	2350005R1	
T9001	P TRANS	NPT-1621S	1	2302054A	!
<b>[CAPACITOR]</b>					
C9001	IS C	LE104-MX-C3.5	1	3800049S	!
C9002	ELECT C	CE04W200V-100M(KXJ)	1	3500233S	N <MDC, MDF>
C9002	ELECT C	CE04W400V-47M(KXJ)	1	3500234S	N <MMA, MMB, MMP, MMQ, MMR>
C9003	PW C	CE04W50V-10M(PW)	1	393781007T	N
C9004	PW C	CE04W25V-1000M(PW)	1	393751027S	
C9006	PW C	CE04W25V-470M(PW)	1	393754717T	N
C9007	IS C	DE1E3KX102MB4BL01	1	3300066S	!
C9008	C-CERA C	CK725F1A-105Z1	1	332181050R1	
C9009	C-CERA C	CC725CH1H-101J1	1	342101014R1	
C9010	C-CERA C	CK725B1A-224K1	1	332132245R1	
C9011	C-CERA C	CK725B1C-104K1	1	332121045R1	
C9012	IS C	ECQU2A103MLC	1	3800039S	
C9012 or	IS C	LE103-C3.5	( 1)	3800042S	
C9013	UTSP C	CE04W25V-220M(UTSP)	1	397552217T	
C9015	C-CERA C	CK725F1E-104Z1	1	332161040R1	
C9016	C-CERA C	CK725B1H-103K1	1	332101035R1	
C9018	IS C	LE104-MX-C3.5	1	3800049S	!
C9019	IS C	DE1E3KX102MB4BL01	1	3300066S	!
C9020	IS C	DE1E3KX102MB4BL01	1	3300066S	!
C9021	C-CERA C	CK725R2J-471J3	1	332194714R1	
C9023	C-CERA C	CK725F1E-104Z1	1	332161040R1	
C9024	C-CERA C	CK725F1E-104Z1	1	332161040R1	
<b>[RESISTOR]</b>					
R9001	C-CARBON R	RN72K1J-103JE	1	435031034R1	



R9002	C-CARBON R	RN72K1J-472JE	1	435034724R1	
R9003	C-CARBON R	RN72K1J-332JE	1	435033324R1	
R9004	C-CARBON R	RN72K1J-471JE	1	435034714R1	
R9005	C-CARBON R	RN72K1J-182JE	1	435031824R1	
R9006	C-CARBON R	RN72K1J-474JE	1	435034744R1	
R9007	C-CARBON R	RN72K1J-683JE	1	435036834R1	
R9008	C-CARBON R	RN72K1J-154JE	1	435031544R1	
R9009	C-CARBON R	RN72K1J-101JE	1	435031014R1	
R9013	C-CARBON R	RN72K1J-472JE	1	435034724R1	
R9014	C-CARBON R	RN72K1J-104JE	1	435031044R1	
R9015	METAL O R	RS1/2WBJ-150	1	443521514T	<MDC, MDF>
R9015	METAL O R	RS1/2WBJ-220	1	443522214T	<MMA, MMB, MMP, MMQ, MMR>
R9016	C-CARBON R	RN72K1J-000JE	1	435030004R1	
R9017	C-CARBON R	RN72K1J-332JE	1	435033324R1	
R9021	METAL O R	RS1/2WBJ-47	1	443524704T	
R9023	C-CARBON R	KTR18EZPF6803	1	435236842R1	!
R9024	C-CARBON R	KTR18EZPF6803	1	435236842R1	!
R9025	C-CARBON R	KTR18EZPF6803	1	435236842R1	!
<b>[SW TRM]</b>					
E9001	TRM-423(SCREW)	NEJITANSI ST3	1	25060495	
E9002	RETAINER	(TRM-PS)	1	27142287	N
F9001	FUSE	1A-SEUL-TL250V	1	252397T	!
F9002C	FUSE HOL	NSCT-1P2031	1	25052133T	! <MDC, MDF>
F9002C	FUSE HOL	NSCT-1P2031	1	25052133T	! <MMA, MMB, MMP, MMQ, MMR>
F9002D	FUSE HOL	NSCT-1P2031	1	25052133T	! <MDC, MDF>
F9002D	FUSE HOL	NSCT-1P2031	1	25052133T	! <MMA, MMB, MMP, MMQ, MMR>
JL901A	WIRE HOL	NSCT-5P876	1	25051089	
P9001A	PLUG	NPLG-2P631	1	25055675	!
P9002	PLUG	NPLG-2P632	1	25055676	!
RL9001	RELAY	NRL-1P10A-DC9-186	1	25065683	! <MDC, MDF>
RL9001 or RELAY		NRL-1P10A-DC9-188	(1)	25065693	! <MDC, MDF>
RL9001	RELAY	NRL-1P5A-DC9-179	1	25065669	! <MMA, MMB, MMP, MMQ, MMR>
RL9001 or RELAY		NRL-1P10A-DC9-186	(1)	25065683	! <MMA, MMB, MMP, MMQ, MMR>
RL9001 or RELAY		NRL-1P10A-DC9-188	(1)	25065693	! <MMA, MMB, MMP, MMQ, MMR>

# ONKYO

## ONKYO SOUND & VISION CORPORATION

Technical Support, Service Department  
2-1, Nisshin-cho, Neyagawa-shi, OSAKA 572-8540, JAPAN  
Tel: 072-831-8023 Fax: 072-831-8163

## ONKYO U.S.A. CORPORATION

18 Park Way, Upper Saddle River, N.J. 07458, U.S.A.  
Tel: 800-229-1687, 201-785-2600 Fax: 201-785-2650  
<http://www.us.onkyo.com/>

## ONKYO EUROPE ELECTRONICS GmbH

Liegnitzerstrasse 6, 82194 Groebenzell, GERMANY  
Tel: +49-8142-4401-0 Fax: +49-8142-4208-213  
<http://www.eu.onkyo.com/>

## ONKYO EUROPE ELECTRONICS GmbH (UK BRANCH)

The Coach House 81A High Street, Marlow, Buckinghamshire, SL7 1AB, UK  
Tel: +44-(0)1628-473-350 Fax: +44-(0)1628-401-700

## ONKYO CHINA LIMITED

Unit 1033, 10/F, Star House, No 3, Salisbury Road, Tsim Sha Tsui Kowloon, Hong Kong.  
Tel: 852-2429-3118 Fax: 852-2428-9039  
<http://www.onkyochina.com/>

## ONKYO CHINA PRC

1301, 555 Tower, No.555 West NanJin Road, Jin an, Shanghai,  
China 200041, Tel: 86-21-52131366 Fax: 86-21-52130396  
<http://www.cn.onkyo.com/>