

2021 LEAF NAM Wiring Diagrams

Table of Contents

POWER

BATTERY POWER SUPPLY	
BATTERY POWER SUPPLY	2
BATTERY POWER SUPPLY FUSE No. 11	7
BATTERY POWER SUPPLY FUSE No. 34	8
BATTERY POWER SUPPLY FUSE No. 38	9
BATTERY POWER SUPPLY FUSE No. 46 (TAIL LAMP RELAY)	10
BATTERY POWER SUPPLY FUSE No. 47 (TAIL LAMP RELAY)	12
BATTERY POWER SUPPLY FUSE No. 77	13
ACCESSORY POWER SUPPLY	
ACCESSORY POWER SUPPLY	14
ACCESSORY POWER SUPPLY FUSE No. 19	15
ON POWER SUPPLY	
ON POWER SUPPLY	16
ON POWER SUPPLY FUSE No. 3	19
ON POWER SUPPLY FUSE No. 4	20
ON POWER SUPPLY FUSE No. 55	21
FUSE AND RELAY BOX	
FUSE AND RELAY BOX	22
Fuse, Relay box and Terminal Arrangement	22
FUSE BLOCK (J/B)	
FUSE BLOCK (J/B)	23
Fuse, Connector and Terminal Arrangement	23
FUSE, FUSIBLE LINK BOX AND RELAY BOX 1	
FUSE, FUSIBLE LINK BOX AND RELAY BOX 1	24
Fuse, Fusible link, Relay box and Terminal Arrangement	24
FUSE, FUSIBLE LINK BOX AND RELAY BOX 2	
FUSE, FUSIBLE LINK BOX AND RELAY BOX 2	25
Fuse, Fusible link, Relay box and Terminal Arrangement	25
FUSIBLE LINK BOX (BATTERY)	
FUSIBLE LINK BOX (BATTERY)	26
Fuse, Fusible link, Relay box and Terminal Arrangement	26
IPDM E/R (INTELLIGENT POWER DISTRIBUTION MODULE ENGINE ROOM)	
IPDM E/R (INTELLIGENT POWER DISTRIBUTION MODULE ENGINE ROOM)	27
Fuse, Relay, Connector and Terminal Arrangement	27
RELAY BOX	
RELAY BOX	28

[Fuse, Fusible link, Relay box and Terminal Arrangement](#) 28

GROUND

GROUND	
GROUND - BATTERY CABLE	30
GROUND - BODY HARNESS	31
GROUND - HIGH VOLTAGE HARNESS	34
GROUND - MAIN HARNESS	35
GROUND - MOTOR ROOM HARNESS	39

WIRING DIAGRAMS

A GENERAL INFORMATION

GI GENERAL INFORMATION	
CONSULT CHECKING SYSTEM	42

C ELECTRIC POWER TRAIN

EVB EV BATTERY SYSTEM	
EV BATTERY SYSTEM	46
EVC EV CONTROL SYSTEM	
EV CONTROL SYSTEM	47
HIGH VOLTAGE CIRCUIT	52
TMS TRACTION MOTOR SYSTEM	
TRACTION MOTOR SYSTEM	53
VC VEHICLE CHARGING SYSTEM	
VEHICLE CHARGING SYSTEM	54

D TRANSMISSION & DRIVELINE

TM TRANSAXLE & TRANSMISSION	
ELECTRIC SHIFT SYSTEM	56

E SUSPENSION

WT ROAD WHEELS & TIRES	
TIRE PRESSURE MONITORING SYSTEM	58

F BRAKES

BR BRAKE SYSTEM	
BRAKE SYSTEM	59
BRC BRAKE CONTROL SYSTEM	
AUTOMATIC EMERGENCY BRAKING AND REAR AUTOMATIC BRAKING SYSTEM	60
BRAKE CONTROL SYSTEM	62
PB PARKING BRAKE SYSTEM	
ELECTRIC PARKING BRAKE SYSTEM	64

Table of Contents

G STEERING

ST STEERING SYSTEM

[HEATED STEERING WHEEL](#)

65

STC STEERING CONTROL SYSTEM

[ELECTRONICALLY CONTROLLED POWER STEERING SYSTEM](#)

66

H RESTRAINTS

SRC SRS AIRBAG CONTROL SYSTEM

[SRS AIR BAG CONTROL SYSTEM](#)

67

I VENTILATION, HEATER & AIR CONDITIONER

HAC HEATER & AIR CONDITIONING CONTROL SYSTEM

[AUTOMATIC AIR CONDITIONING SYSTEM - WITH HEAT](#)

[PUMP](#)

70

[AUTOMATIC AIR CONDITIONING SYSTEM - WITHOUT HEAT](#)

[PUMP](#)

72

J BODY INTERIOR

SE SEAT

[HEATED SEAT](#)

74

[LUMBAR SUPPORT SYSTEM](#)

75

[POWER SEAT FOR DRIVER SIDE](#)

76

K BODY EXTERIOR, DOORS, ROOF & VEHICLE SECURITY

DLK DOOR & LOCK

[DOOR LOCK SYSTEM](#)

77

[HOMELINK® UNIVERSAL TRANSCEIVER](#)

81

PWC POWER WINDOW CONTROL SYSTEM

[POWER WINDOW SYSTEM](#)

82

SEC SECURITY CONTROL SYSTEM

[INTELLIGENT KEY SYSTEM/ENGINE START FUNCTION](#)

83

[NVIS](#)

85

[VEHICLE SECURITY SYSTEM](#)

87

L DRIVER CONTROLS

DEF DEFOGGER

[DEFOGGER](#)

89

EXL EXTERIOR LIGHTING SYSTEM

[AUTO LIGHT SYSTEM](#)

90

[BACK-UP LAMP](#)

91

[DAYTIME RUNNING LIGHT SYSTEM](#)

92

[EXTERIOR LAMP BATTERY SAVER SYSTEM](#)

94

[FOG LAMPS](#)

95

[HEADLAMP](#)

96

[PARKING, LICENSE PLATE AND TAIL LAMPS](#)

98

[STOP LAMP](#)

99

[TURN SIGNAL AND HAZARD WARNING LAMPS](#)

100

HRN HORN

[HORN](#)

101

INL INTERIOR LIGHTING SYSTEM

[ILLUMINATION](#)

102

[INTERIOR ROOM LAMP](#)

106

MIR MIRRORS

[DOOR MIRROR](#)

108

[INSIDE MIRROR](#)

109

VSP APPROACHING VEHICLE SOUND FOR PEDESTRIANS (VSP)

[APPROACHING VEHICLE SOUND FOR PEDESTRIANS \(VSP\) SYSTEM](#)

110

WW WIPER & WASHER

[WIPER AND WASHER SYSTEM](#)

111

M ELECTRICAL & POWER CONTROL

BCS BODY CONTROL SYSTEM

[BCM \(BODY CONTROL MODULE\)](#)

112

LAN LAN SYSTEM

[CAN GATEWAY SYSTEM](#)

116

[CAN SYSTEM](#)

117

PCS POWER CONTROL SYSTEM

[IPDM E/R \(INTELLIGENT POWER DISTRIBUTION MODULE ENGINE ROOM\)](#)

121

[POWER DISTRIBUTION SYSTEM](#)

123

PG POWER SUPPLY, GROUND & CIRCUIT ELEMENTS

[ACCESSORY PRE-WIRE](#)

125

PWO POWER OUTLET

[POWER SOCKET](#)

126

[USB SOCKET](#)

127

N DRIVER INFORMATION & MULTIMEDIA

AV AUDIO, VISUAL & NAVIGATION SYSTEM

[DISPLAY AUDIO SYSTEM - WITH 8" COLOR DISPLAY](#)

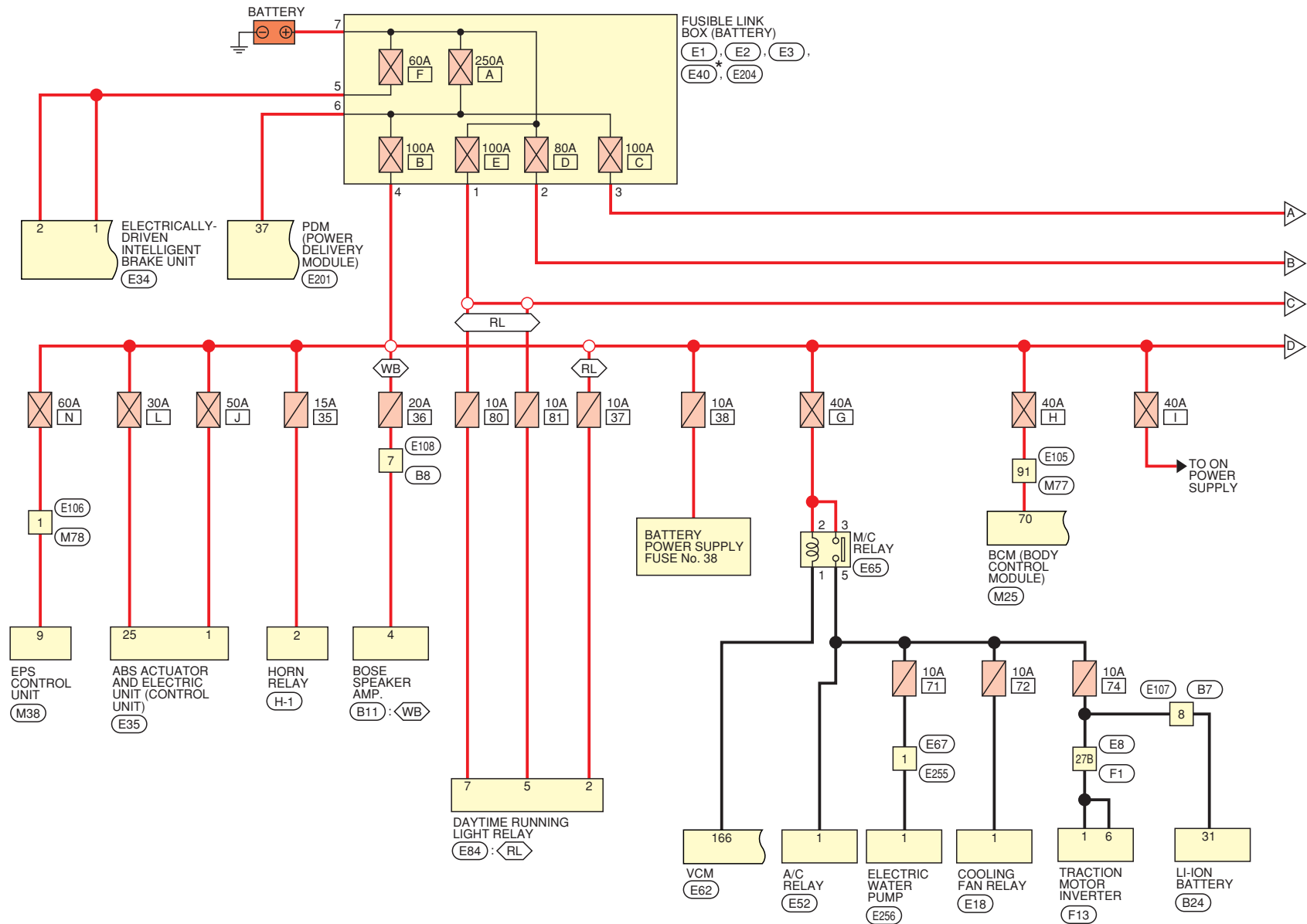
128

Table of Contents

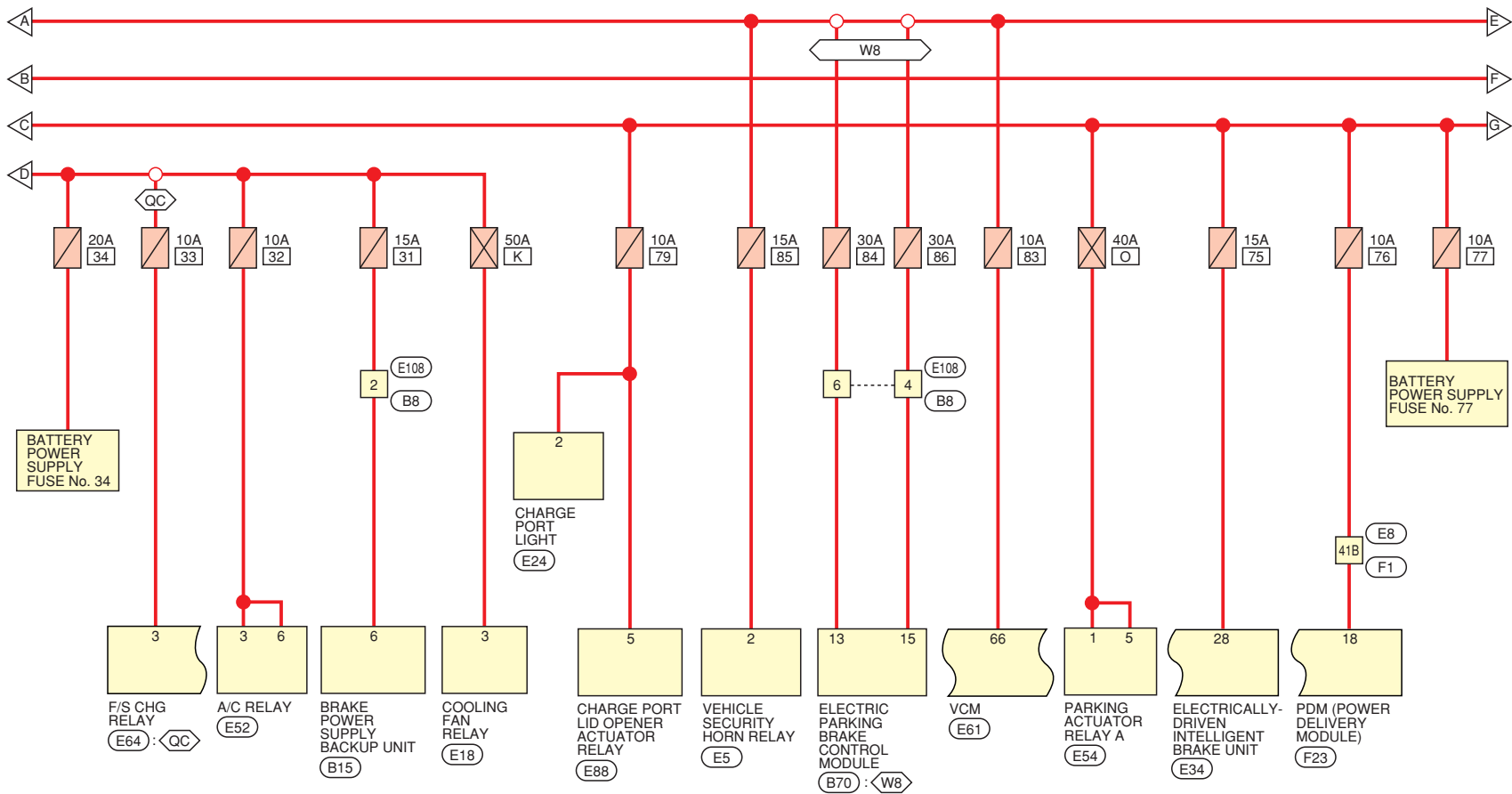
<u>INTELLIGENT AROUND VIEW MONITOR SYSTEM - WITH 8" COLOR DISPLAY</u>	131	<u>MOTOR ROOM HARNESS - LH VIEW</u>	234
<u>NAVIGATION SYSTEM - WITH BOSE AUDIO SYSTEM AND 8" COLOR DISPLAY</u>	133	<u>MOTOR ROOM HARNESS - RH VIEW (WITHOUT HEAT PUMP)</u>	236
<u>NAVIGATION SYSTEM - WITHOUT BOSE AUDIO SYSTEM WITH 8" COLOR DISPLAY</u>	137	<u>MOTOR ROOM SUB-HARNESS</u>	238
<u>REAR VIEW MONITOR SYSTEM - WITH 8" COLOR DISPLAY AND NAVIGATION SYSTEM</u>	140	<u>MOTOR CONTROL HARNESS - REAR VIEW (WITHOUT HEAT PUMP)</u>	240
<u>REAR VIEW MONITOR SYSTEM - WITH 8" COLOR DISPLAY WITHOUT NAVIGATION SYSTEM</u>	141	<u>MOTOR CONTROL HARNESS - REAR VIEW (WITH HEAT PUMP)</u>	242
<u>TELEMATICS SYSTEM</u>	142	<u>BATTERY CABLE</u>	244
MWI METER, WARNING LAMP & INDICATOR		<u>MOTOR CONTROL HARNESS - FRONT VIEW</u>	246
<u>METER</u>	143	<u>CHASSIS HARNESS</u>	248
SN SONAR SYSTEM		<u>BODY HARNESS - LH VIEW</u>	250
<u>SONAR SYSTEM</u>	146	<u>BODY HARNESS - REAR VIEW</u>	252
WCS WARNING CHIME SYSTEM		<u>BODY HARNESS - RH VIEW</u>	254
<u>WARNING CHIME SYSTEM</u>	147	<u>FRONT SEAT RH HARNESS</u>	256
O CRUISE CONTROL & DRIVER ASSISTANCE		<u>FRONT SEAT LH HARNESS</u>	258
CCS CRUISE CONTROL SYSTEM		<u>ROOM LAMP HARNESS</u>	260
<u>INTELLIGENT CRUISE CONTROL SYSTEM</u>	148	<u>FRONT DOOR LH HARNESS</u>	262
<u>ProPILOT ASSIST SYSTEM</u>	149	<u>FRONT DOOR RH HARNESS</u>	264
DAS DRIVER ASSISTANCE SYSTEM		<u>REAR DOOR LH HARNESS</u>	266
<u>CHASSIS CONTROL SYSTEM</u>	150	<u>REAR DOOR RH HARNESS</u>	268
<u>DRIVER ASSISTANCE SYSTEM</u>	151	<u>BACK DOOR HARNESS</u>	270
CONNECTOR VIEWS			
<u>CONNECTOR VIEWS</u>	154		
HARNESS LAYOUT			
<u>HIGH VOLTAGE HARNESS</u>	211		
<u>Outline</u>	213		
<u>MAIN HARNESS - RADIO VIEW</u>	214		
<u>MAIN HARNESS - RH VIEW</u>	216		
<u>MAIN HARNESS - LH VIEW</u>	218		
<u>MAIN HARNESS - CONSOLE VIEW</u>	220		
<u>HVAC SUB-HARNESS</u>	222		
<u>MAIN HARNESS - COLUMN VIEW</u>	224		
<u>MOTOR ROOM HARNESS - RH VIEW (WITH HEAT PUMP)</u>	226		
<u>MOTOR ROOM HARNESS - FRONT VIEW (WITHOUT HEAT PUMP)</u>	228		
<u>MOTOR ROOM HARNESS - FRONT VIEW (WITH HEAT PUMP)</u>	230		
<u>MOTOR ROOM HARNESS - CABIN VIEW</u>	232		

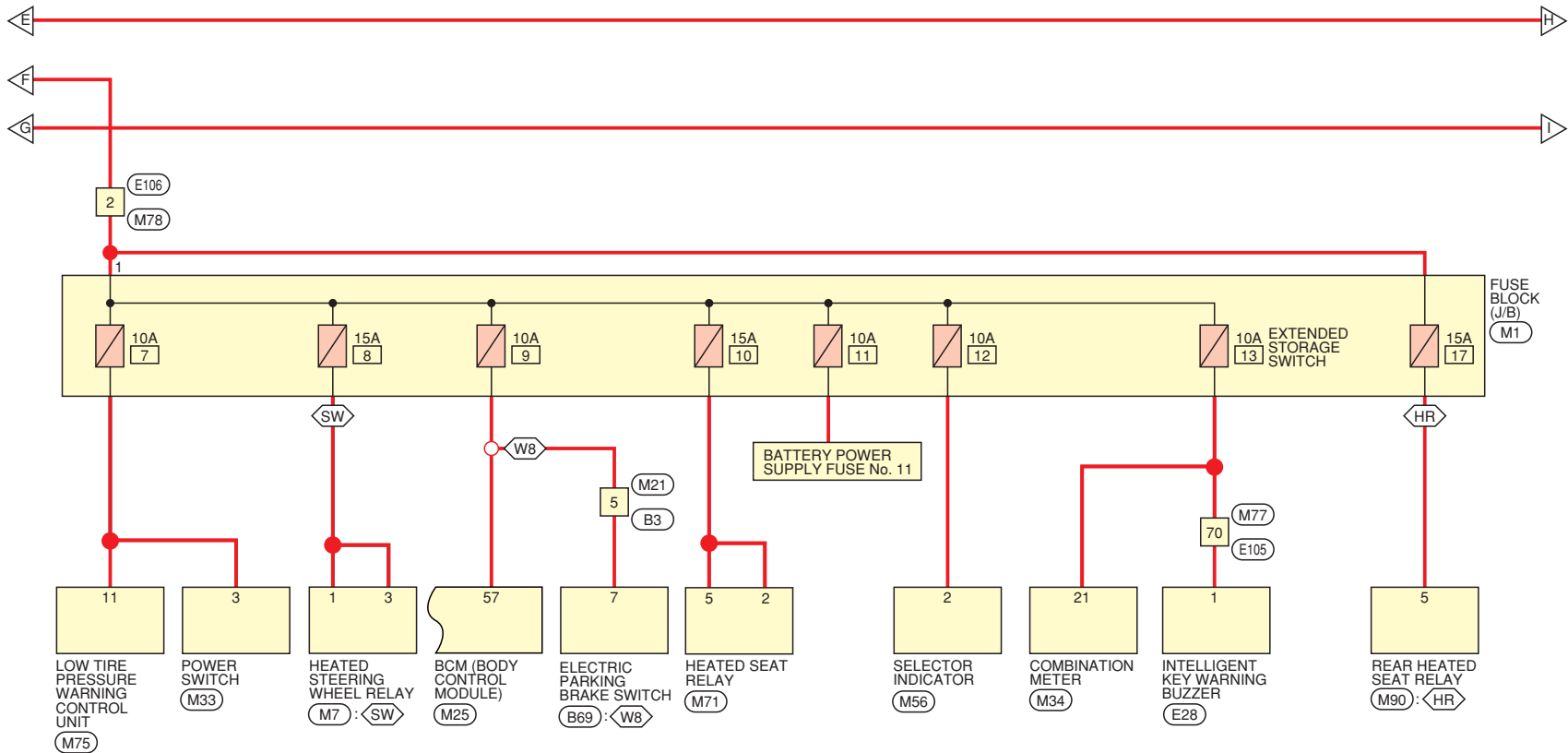
POWER

BATTERY POWER SUPPLY



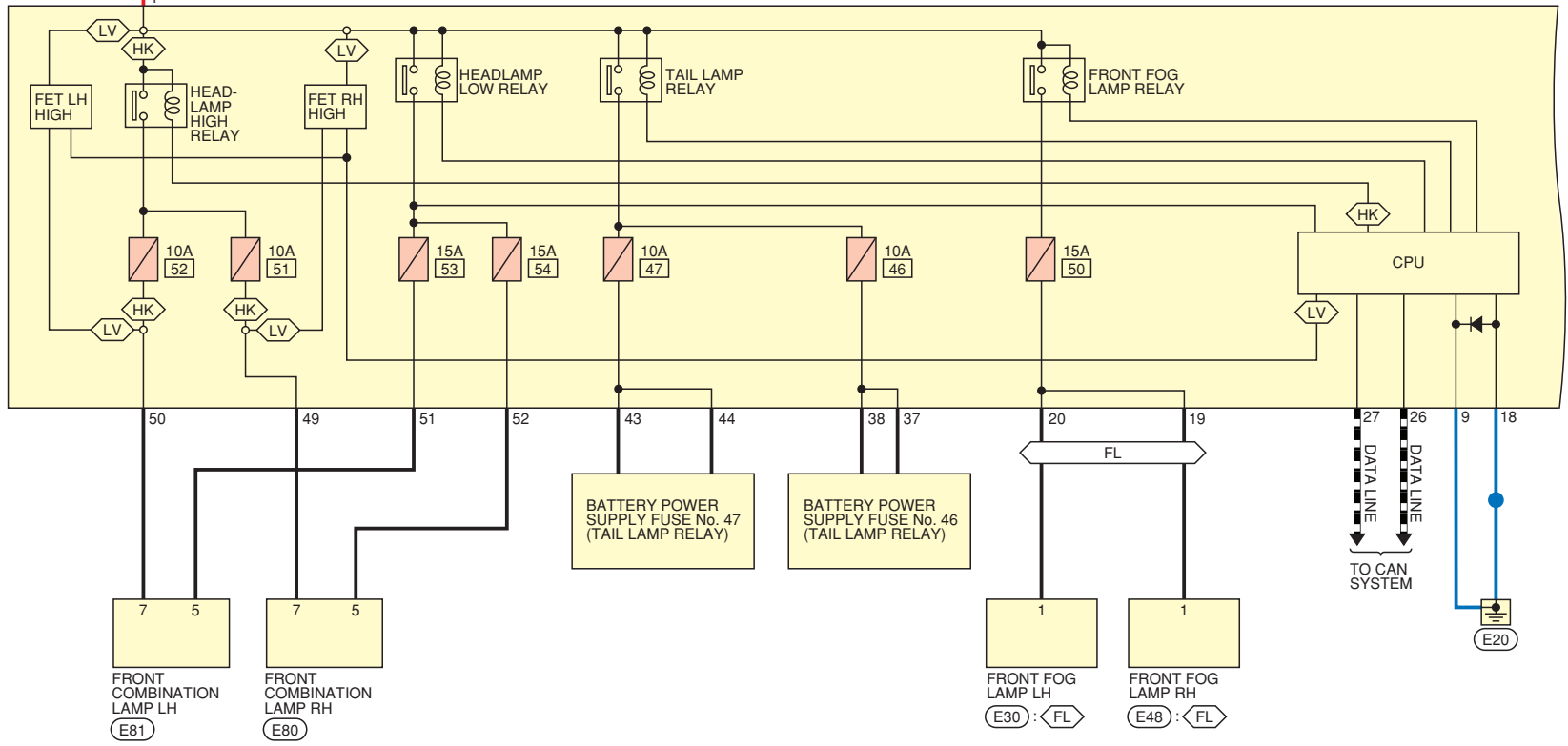
* : E40 IS AN INTEGRAL PART OF FUSIBLE LINK BOX (BATTERY) ASSEMBLY.







IPDM E/R (INTELLIGENT POWER DISTRIBUTION MODULE ENGINE ROOM) E9, E11, E12, E13, E14, E15



▬ : CAN COMMUNICATION LINE FOR DIAGNOSIS

⬡ : WITH FRONT FOG LAMPS

⬡ : WITH HALOGEN HEADLAMPS

⬡ : WITH REAR HEATED SEATS

⬡ : WITH LED HEADLAMPS

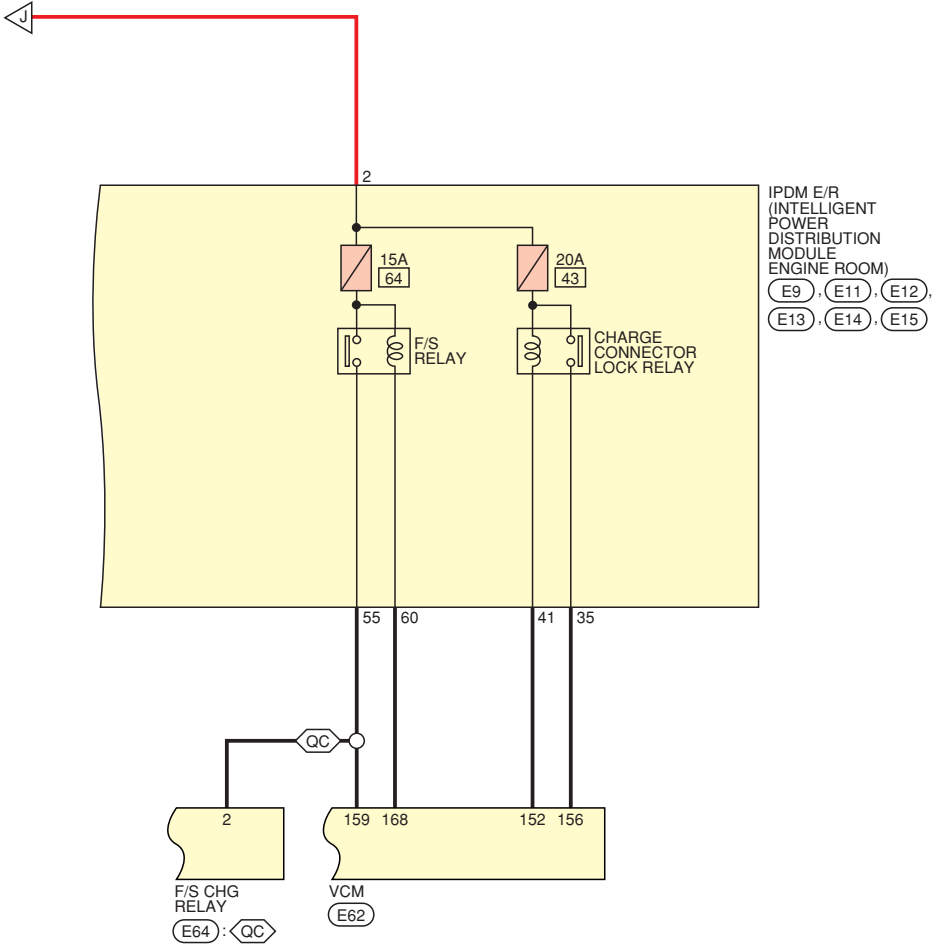
⬡ : WITH QUICK CHARGE PORT

⬡ : WITH DAYTIME RUNNING LIGHT SYSTEM

⬡ : WITH HEATED STEERING WHEEL

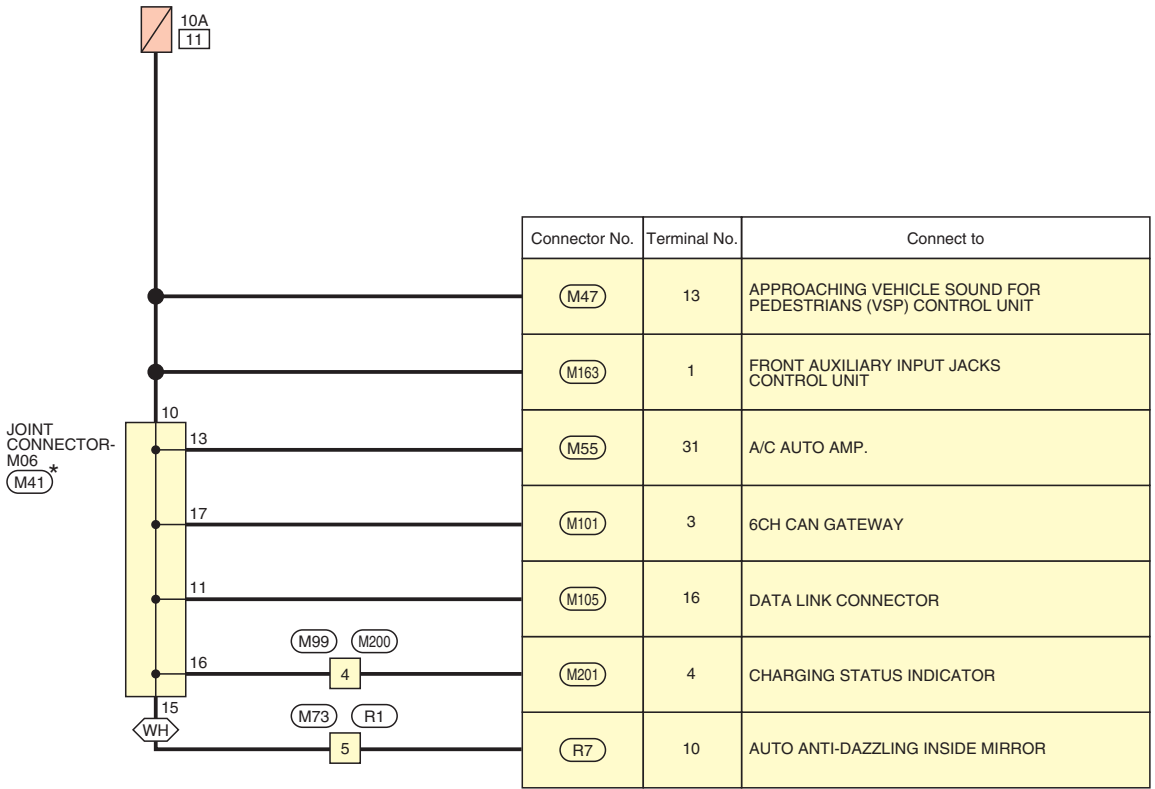
⬡ : WITH ELECTRIC PARKING BRAKE

⬡ : WITH BOSE AUDIO SYSTEM



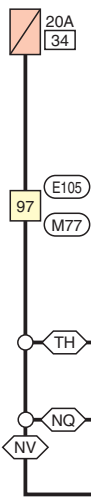
BATTERY POWER SUPPLY FUSE No. 11

 : WITH HOMELINK® UNIVERSAL TRANSCEIVER



*: PIN-OUTS MAY BE IN NO SPECIFIC ORDER ON A COMMON BUS BAR IN JOINT CONNECTORS.

BATTERY POWER SUPPLY FUSE No. 34

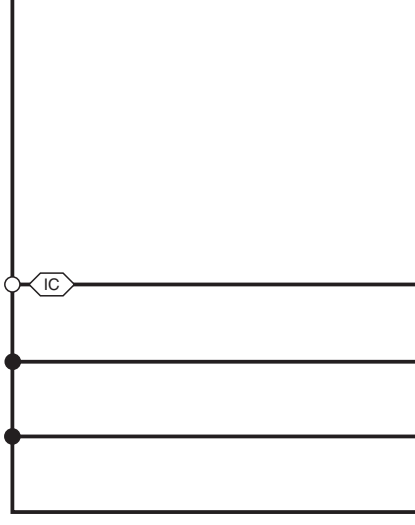


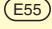
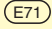
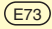
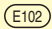
- : WITH DISPLAY AUDIO SYSTEM
- : WITH NAVIGATION SYSTEM
- : WITH TELEMATICS SYSTEM

Connector No.	Terminal No.	Connect to
	1	TCU
	19	AV CONTROL UNIT
	19	AV CONTROL UNIT

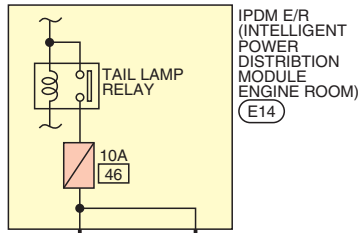
BATTERY POWER SUPPLY FUSE No. 38

 : WITH INTELLIGENT CRUISE CONTROL

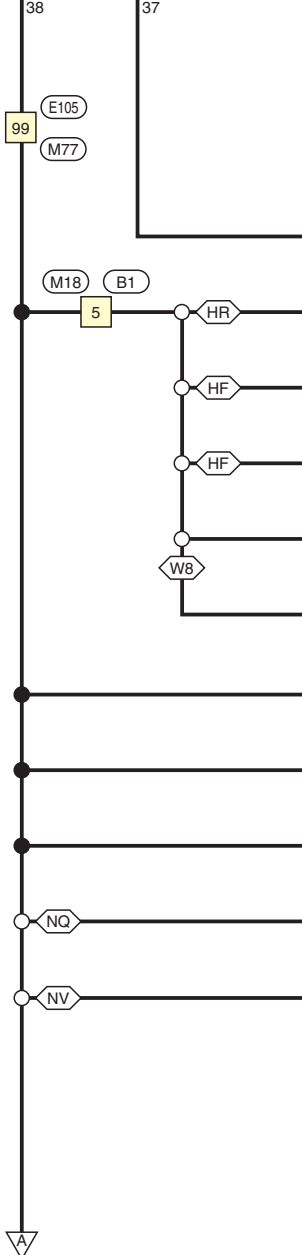


Connector No.	Terminal No.	Connect to
	5	ICC BRAKE HOLD RELAY
	5	STOP LAMP ON RELAY
	3	STOP LAMP OFF RELAY-1
	3	STOP LAMP SWITCH

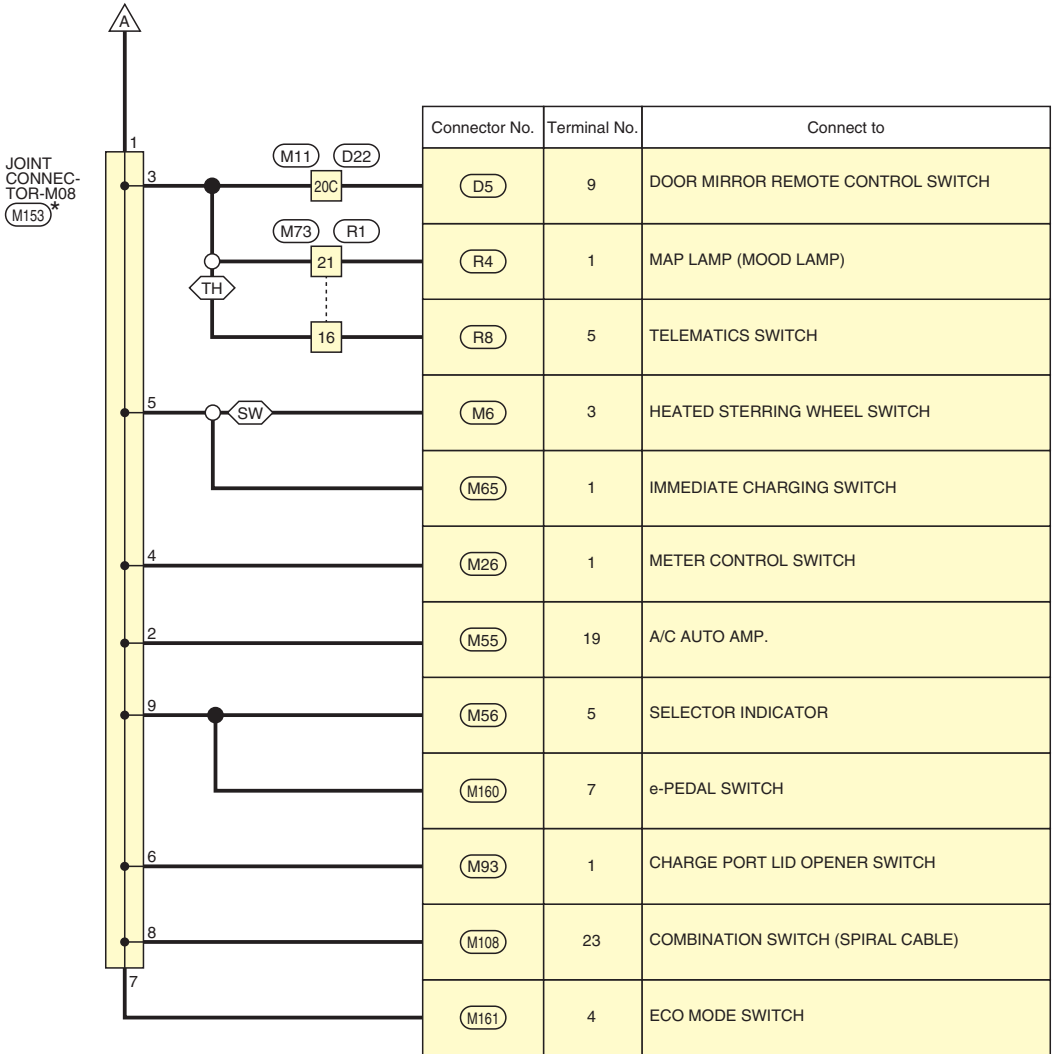
BATTERY POWER SUPPLY FUSE No. 46 (TAIL LAMP RELAY)



- ⬡HF⬡ : WITH FRONT HEATED SEATS
- ⬡HR⬡ : WITH REAR HEATED SEATS
- ⬡NQ⬡ : WITH DISPLAY AUDIO SYSTEM
- ⬡NV⬡ : WITH NAVIGATION SYSTEM
- ⬡SW⬡ : WITH HEATED STEERING WHEEL
- ⬡TH⬡ : WITH TELEMATICS SYSTEM
- ⬡W8⬡ : WITH ELECTRIC PARKING BRAKE

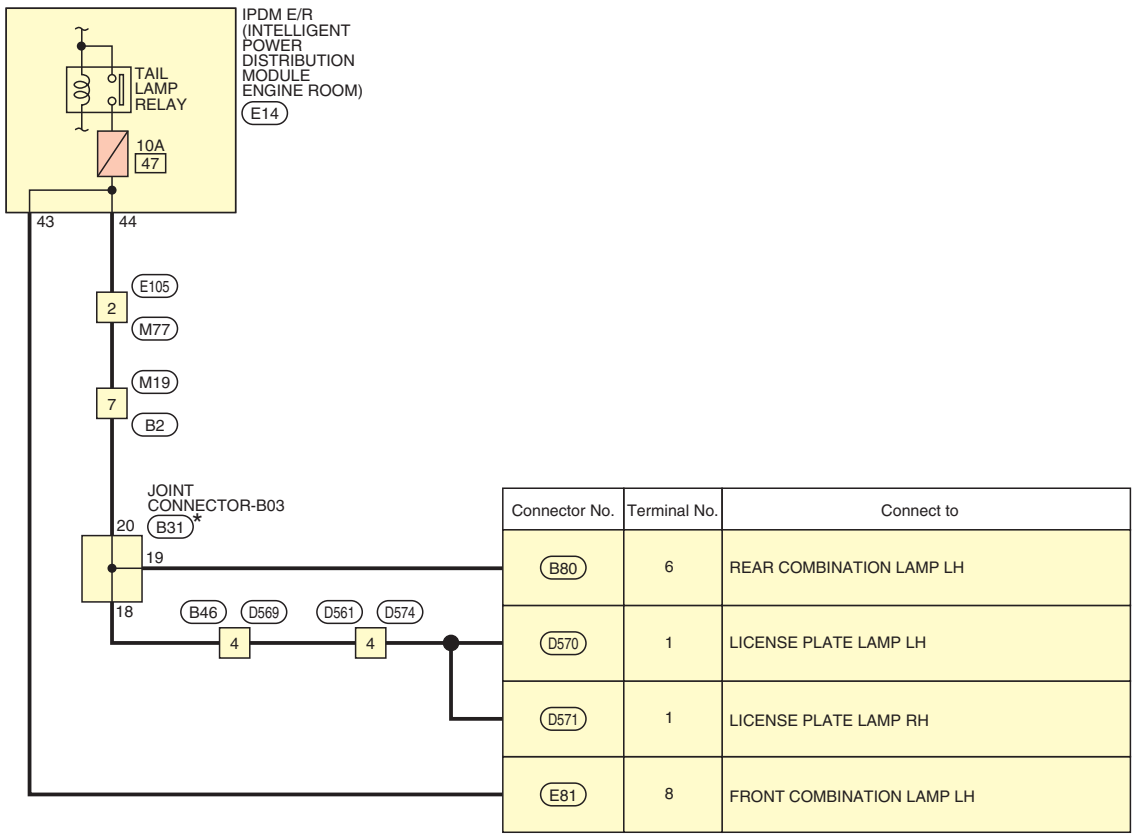


Connector No.	Terminal No.	Connect to
(E80)	8	FRONT COMBINATION LAMP RH
(B23)	7	FRONT SEAT HEATER RH
(B25)	5	FRONT HEATED SEAT SWITCH LH
(B33)	5	FRONT HEATED SEAT SWITCH RH
(B59)	6	REAR COMBINATION LAMP RH
(B69)	9	ELECTRIC PARKING BRAKE SWITCH
(M5)	1	STEERING ASSIST SWITCH
(M45)	4	HAZARD SWITCH
(M66)	1	GLOVE BOX LAMP
(M94)	58	AV CONTROL UNIT
(M98)	58	AV CONTROL UNIT



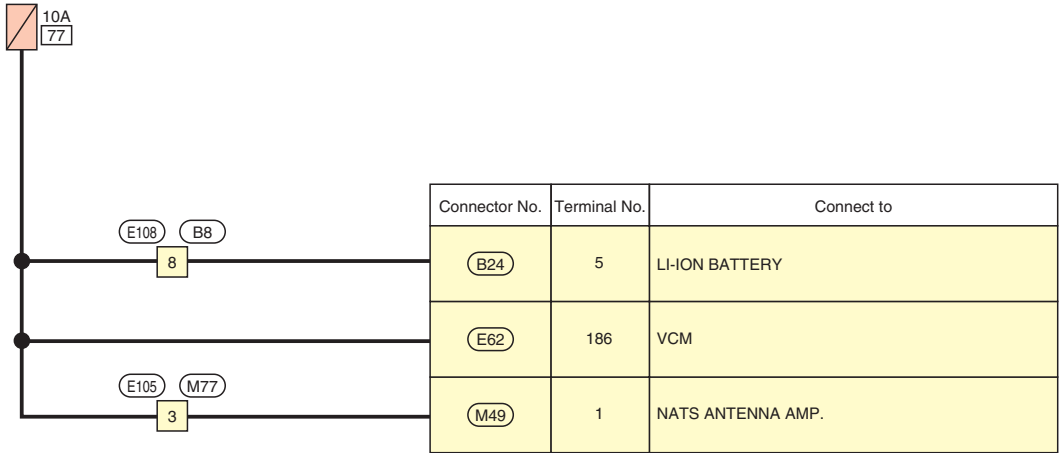
*: PIN-OUTS MAY BE IN NO SPECIFIC ORDER ON A COMMON BUS BAR IN JOINT CONNECTORS.

BATTERY POWER SUPPLY FUSE No. 47 (TAIL LAMP RELAY)

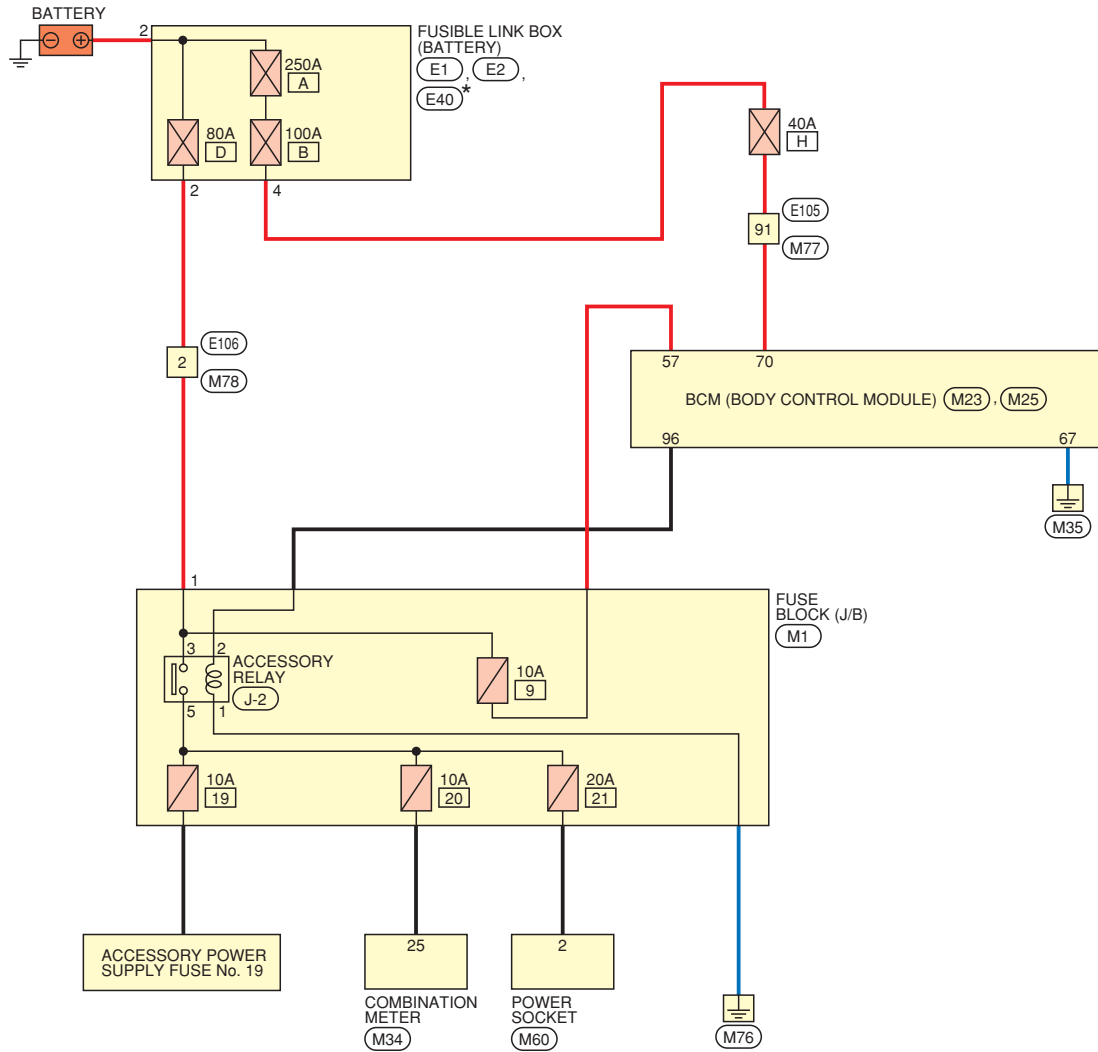


*: PIN-OUTS MAY BE IN NO SPECIFIC ORDER ON A COMMON BUS BAR IN JOINT CONNECTORS.

BATTERY POWER SUPPLY FUSE No. 77



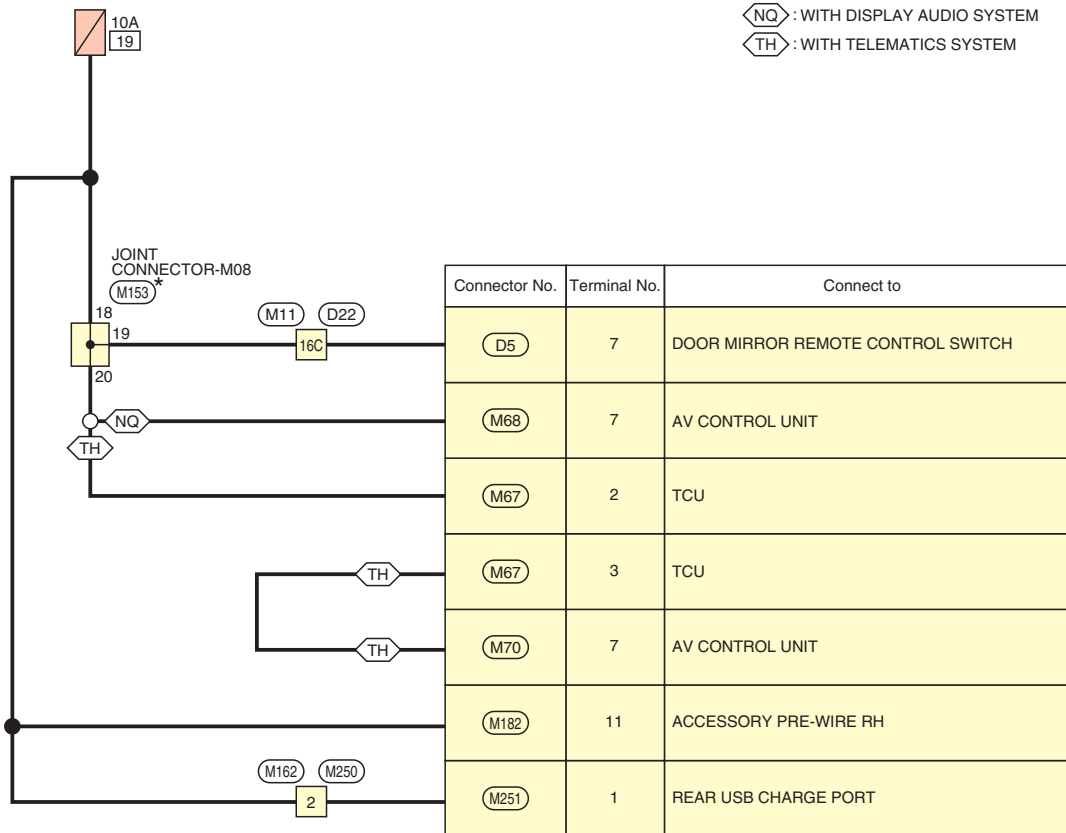
ACCESSORY POWER SUPPLY



* : (E40) IS AN INTEGRAL PART OF FUSIBLE LINK BOX (BATTERY) ASSEMBLY.

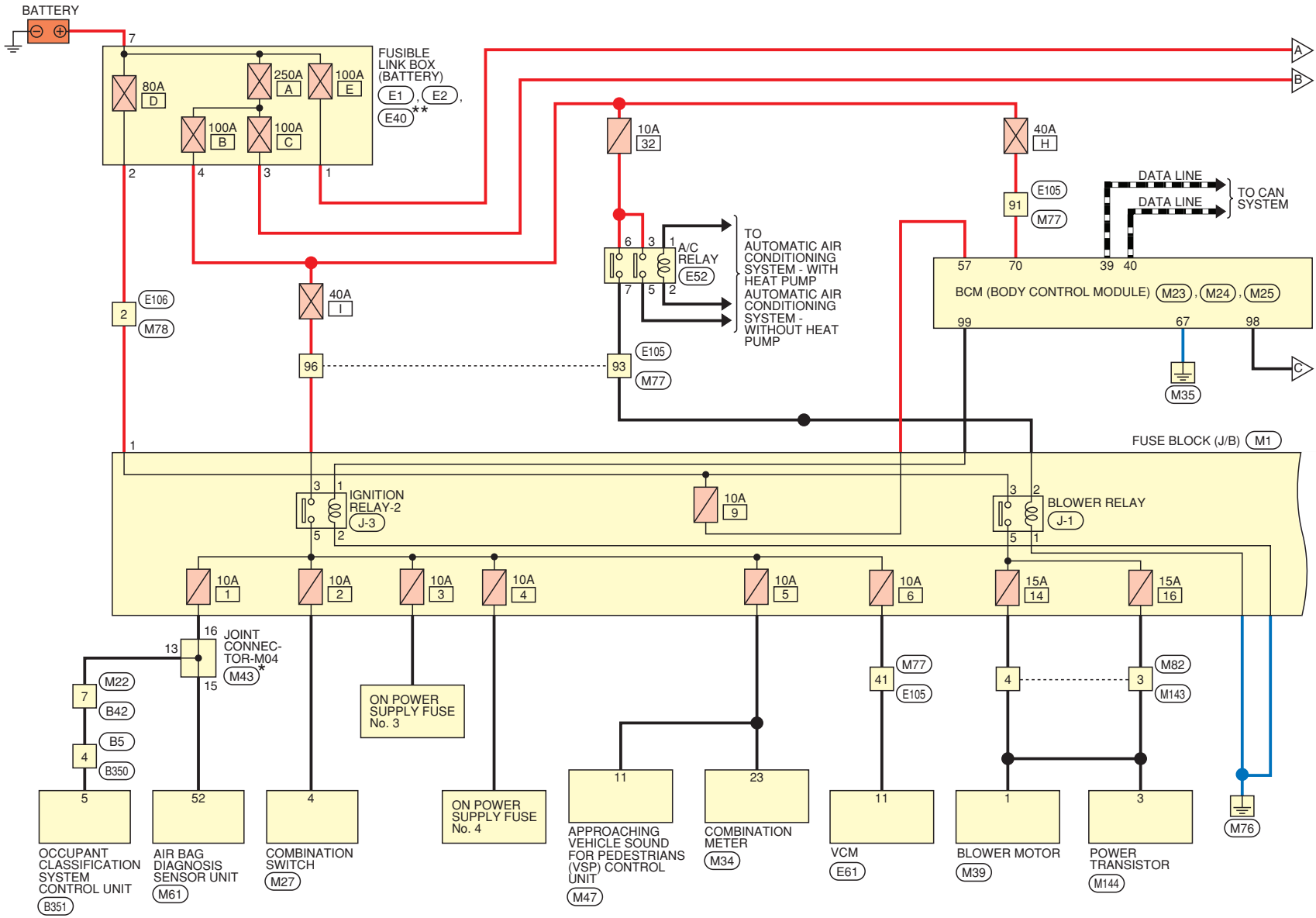
ACCESSORY POWER SUPPLY FUSE No. 19

NQ : WITH DISPLAY AUDIO SYSTEM
TH : WITH TELEMATICS SYSTEM



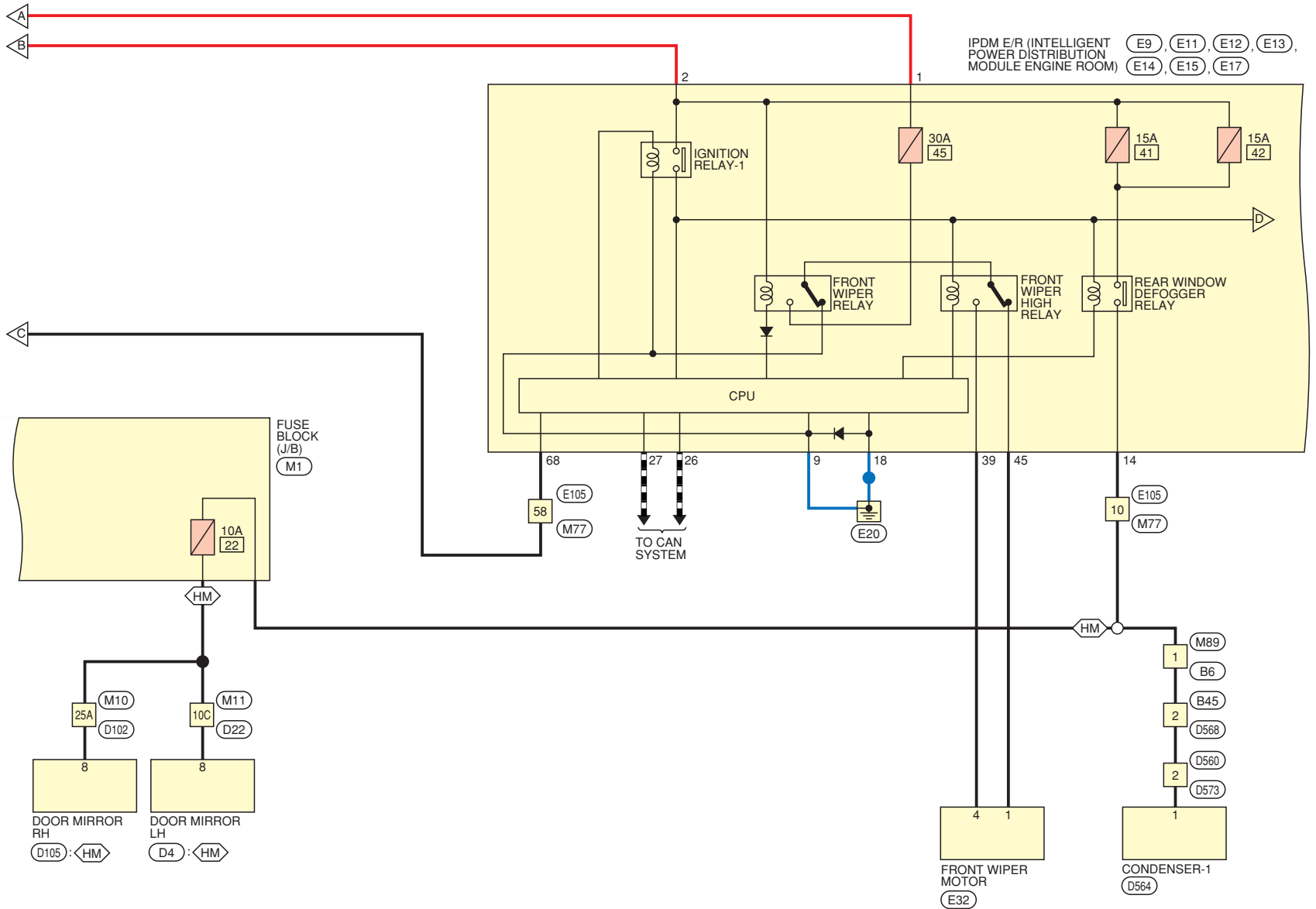
* : PIN-OUTS MAY BE IN NO SPECIFIC ORDER ON A COMMON BUS BAR IN JOINT CONNECTORS.

ON POWER SUPPLY



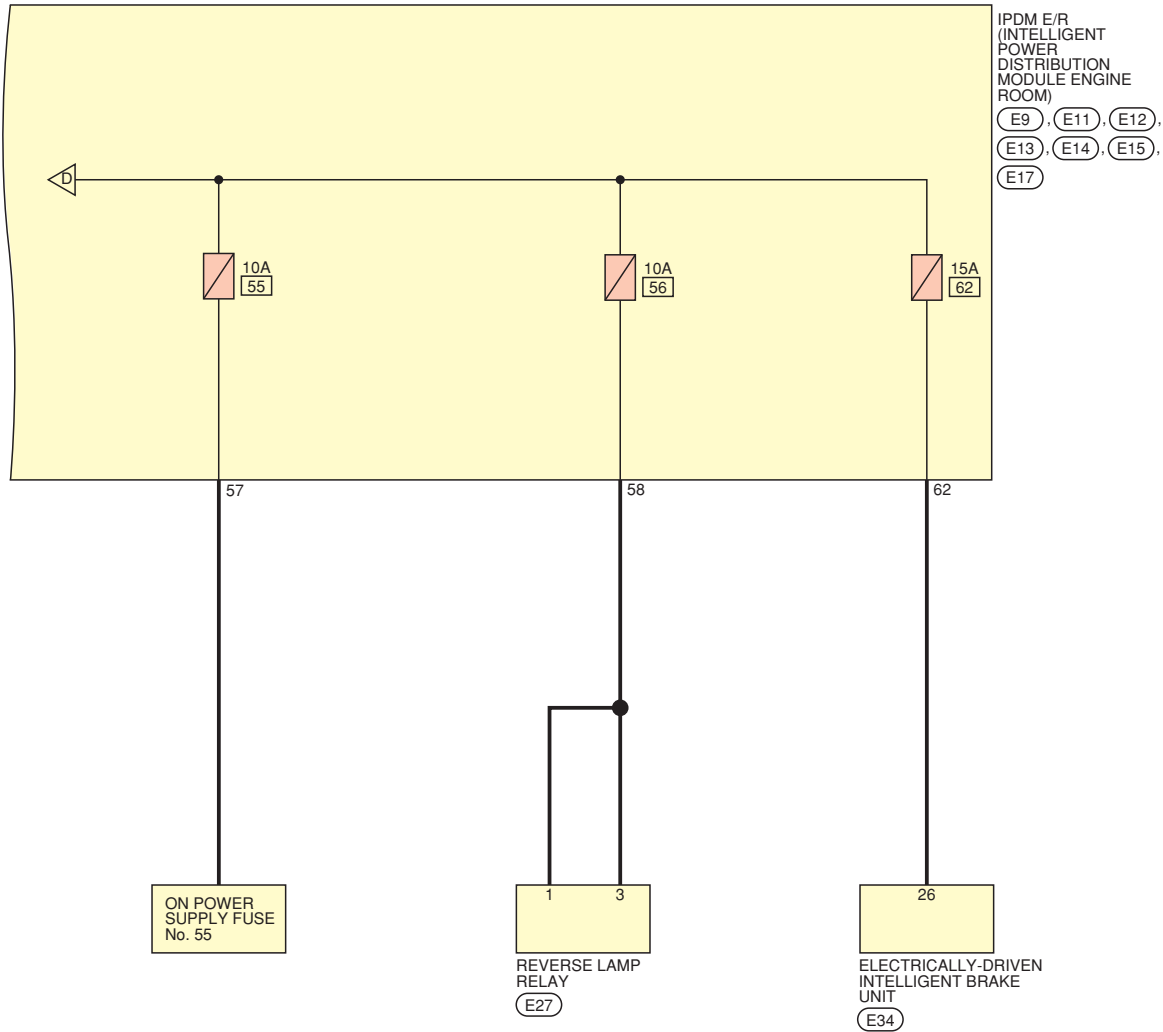
*: PIN-OUTS MAY BE IN NO SPECIFIC ORDER ON A COMMON BUS BAR IN JOINT CONNECTORS.

**:(E40) IS AN INTEGRAL PART OF FUSIBLE LINK BOX (BATTERY) ASSEMBLY.



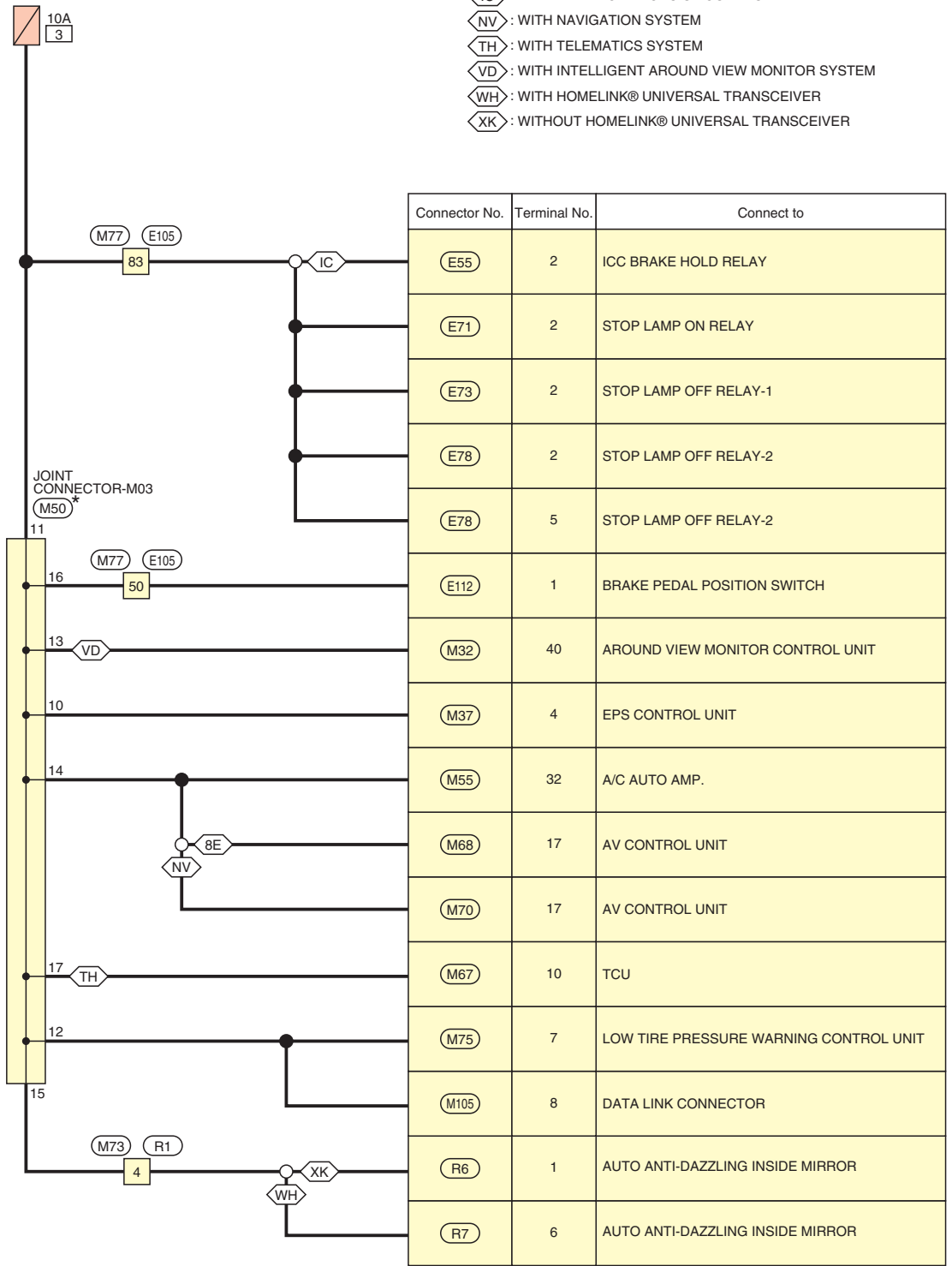
▬ : CAN COMMUNICATION LINE FOR DIAGNOSIS

◻HM◻ : WITH HEATED MIRRORS



ON POWER SUPPLY FUSE No. 3

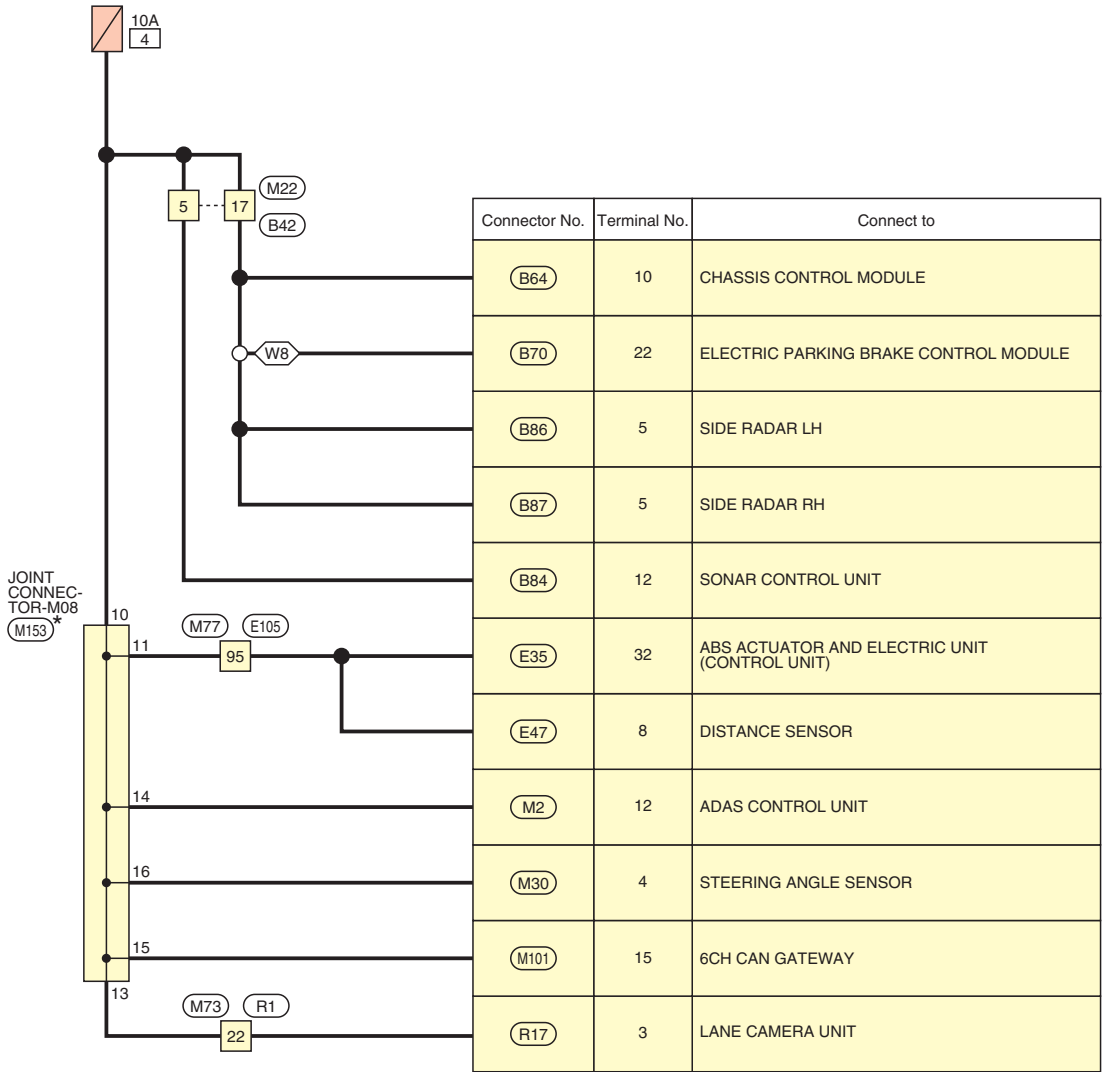
- ⬡8E : WITH DISPLAY AUDIO SYSTEM WITH 8" COLOR DISPLAY
- ⬡IC : WITH INTELLIGENT CRUISE CONTROL
- ⬡NV : WITH NAVIGATION SYSTEM
- ⬡TH : WITH TELEMATICS SYSTEM
- ⬡VD : WITH INTELLIGENT AROUND VIEW MONITOR SYSTEM
- ⬡WH : WITH HOMELINK® UNIVERSAL TRANSCEIVER
- ⬡XK : WITHOUT HOMELINK® UNIVERSAL TRANSCEIVER



*: PIN-OUTS MAY BE IN NO SPECIFIC ORDER ON A COMMON BUS BAR IN JOINT CONNECTORS.

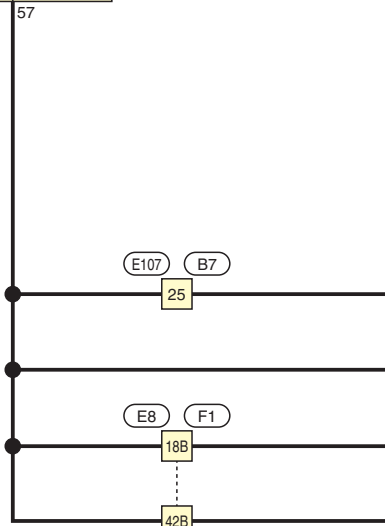
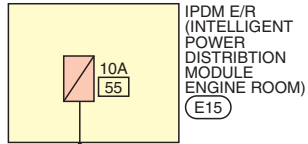
ON POWER SUPPLY FUSE No. 4

W8 : WITH ELECTRIC PARKING BRAKE



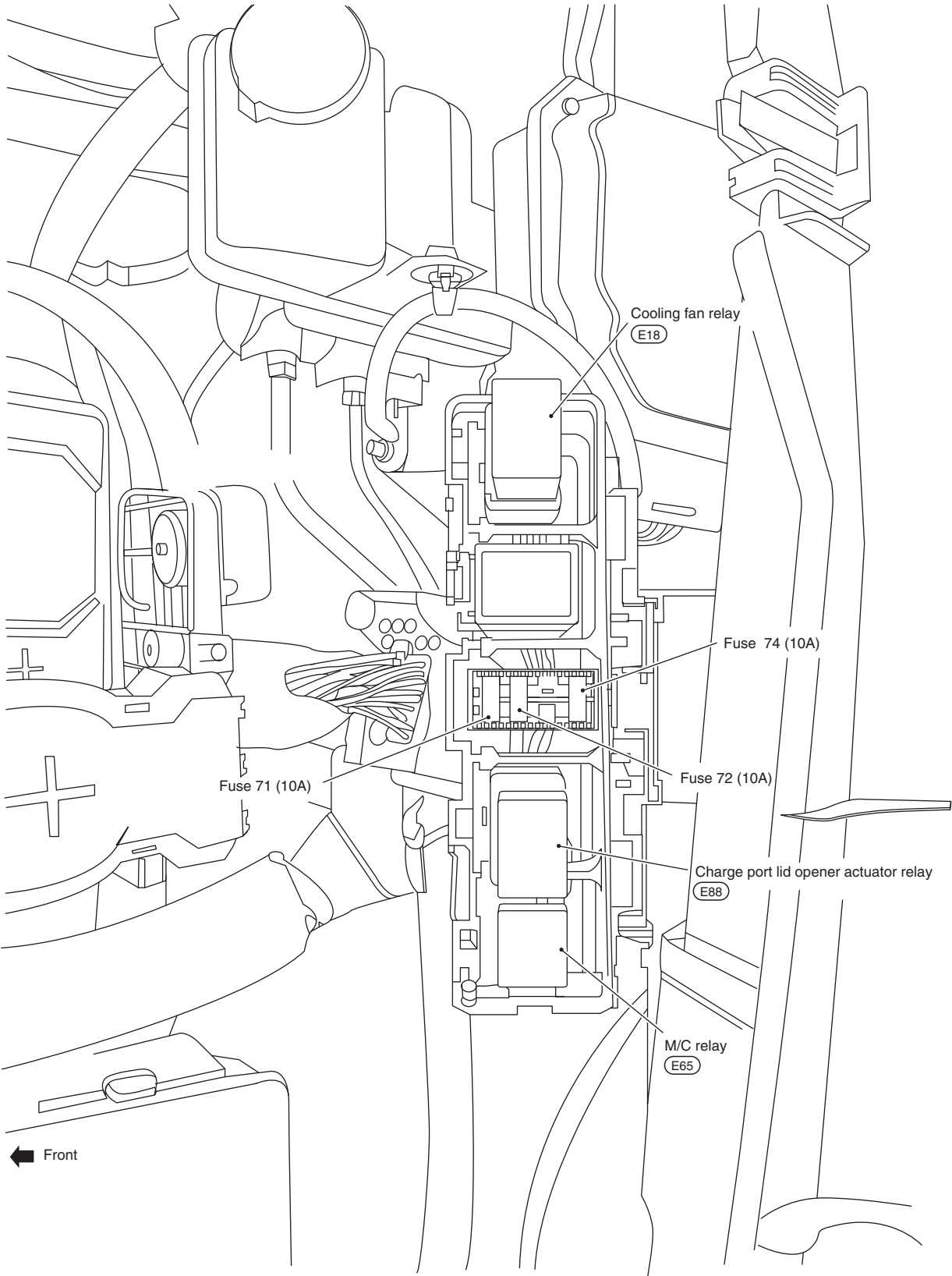
*: PIN-OUTS MAY BE IN NO SPECIFIC ORDER ON A COMMON BUS BAR IN JOINT CONNECTORS.

ON POWER SUPPLY FUSE No. 55



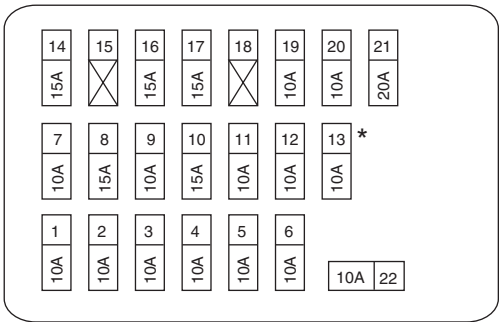
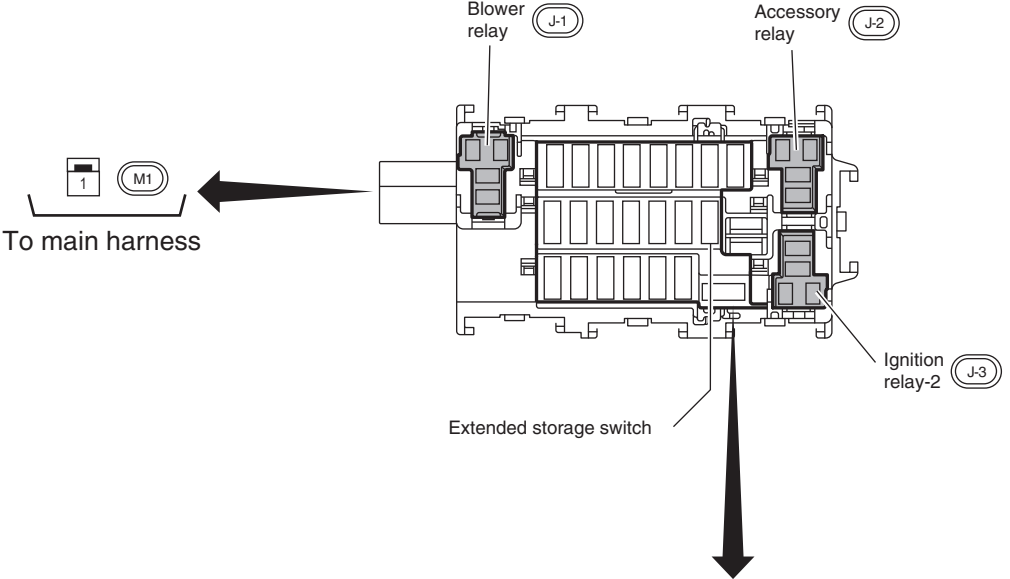
Connector No.	Terminal No.	Connect to
B24	4	LI-ION BATTERY
E62	73	VCM
F13	18	TRACTION MOTOR INVERTER
F23	16	PDM (POWER DELIVERY MODULE)

Fuse and Relay Box Arrangement



FUSE BLOCK - JUNCTION BOX (J/B)

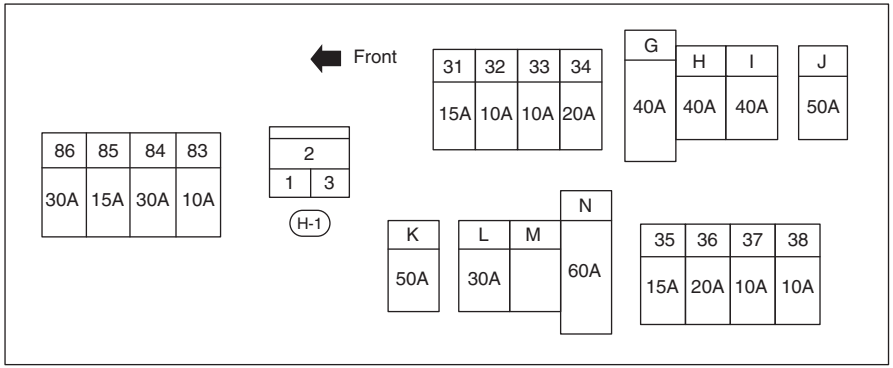
Fuse, Connector and Terminal Arrangement



* Fuse 13 = Extended storage switch

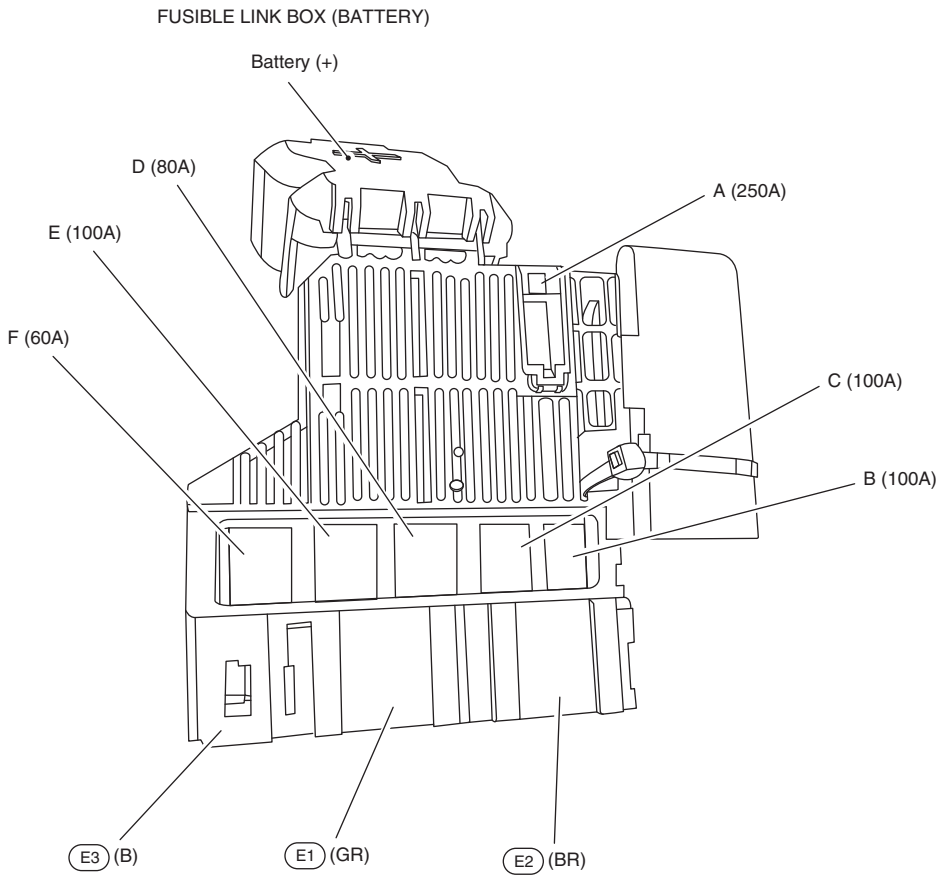
FUSE, FUSIBLE LINK AND RELAY BOX

Fuse, Fusible Link and Relay Box 1 Arrangement

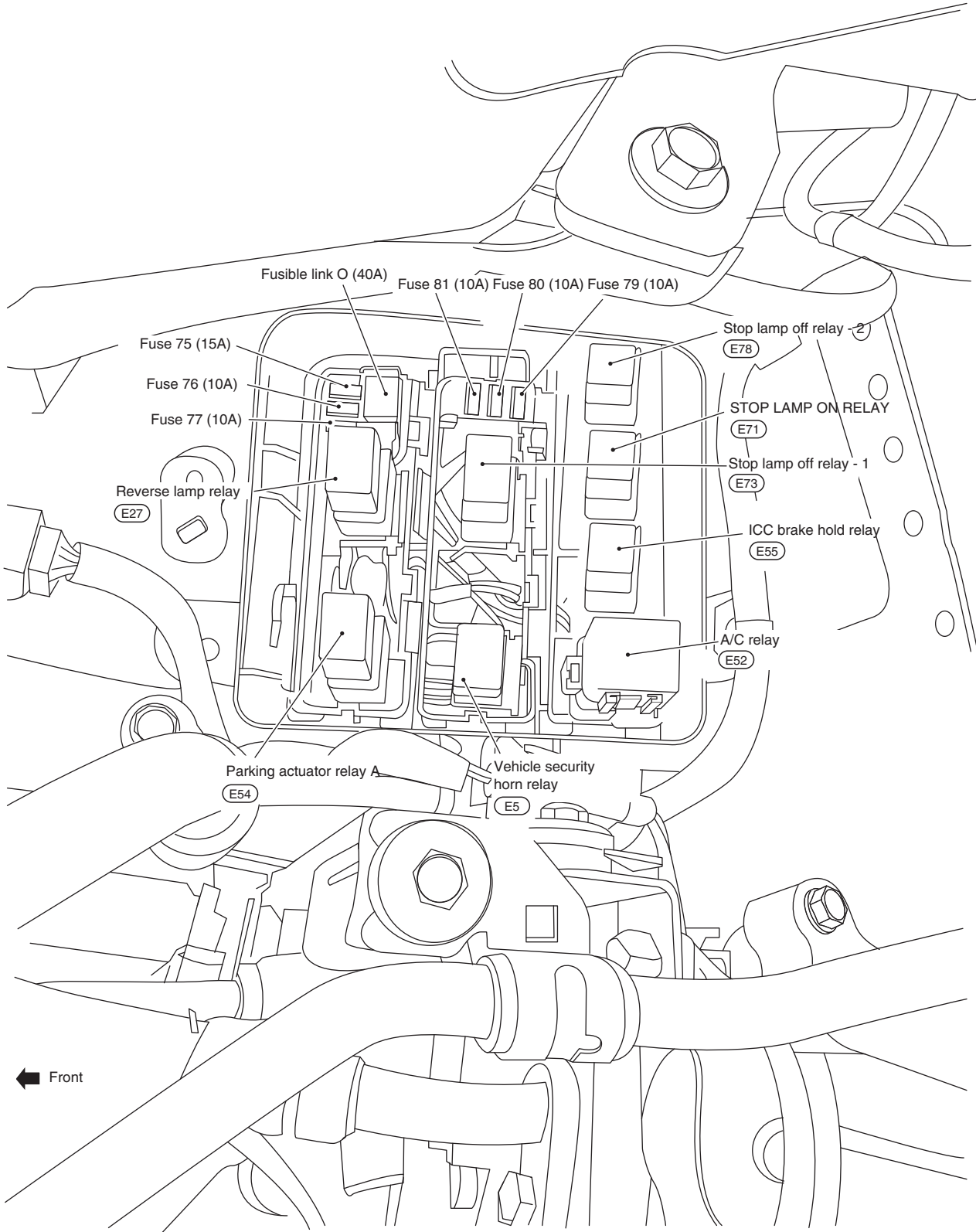


NO. 51 - 38, 79 - 82 : FUSE

G - N : FUSIBLE LINK

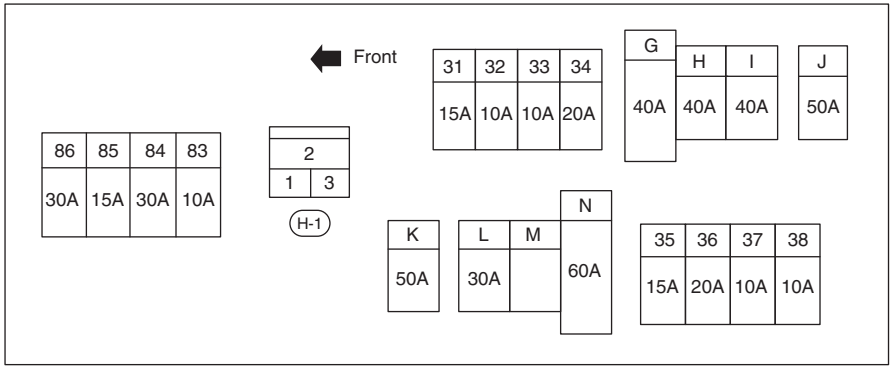


Fuse, Fusible Link and Relay Box 2 Arrangement



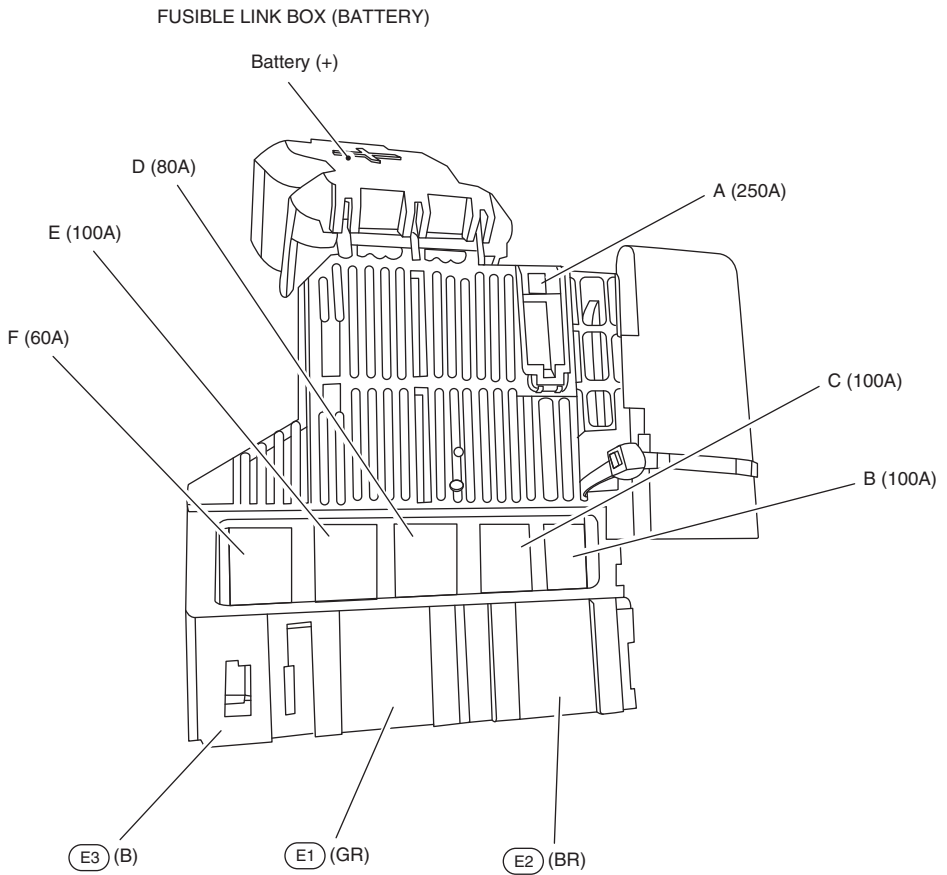
FUSE, FUSIBLE LINK AND RELAY BOX

Fuse, Fusible Link and Relay Box 1 Arrangement

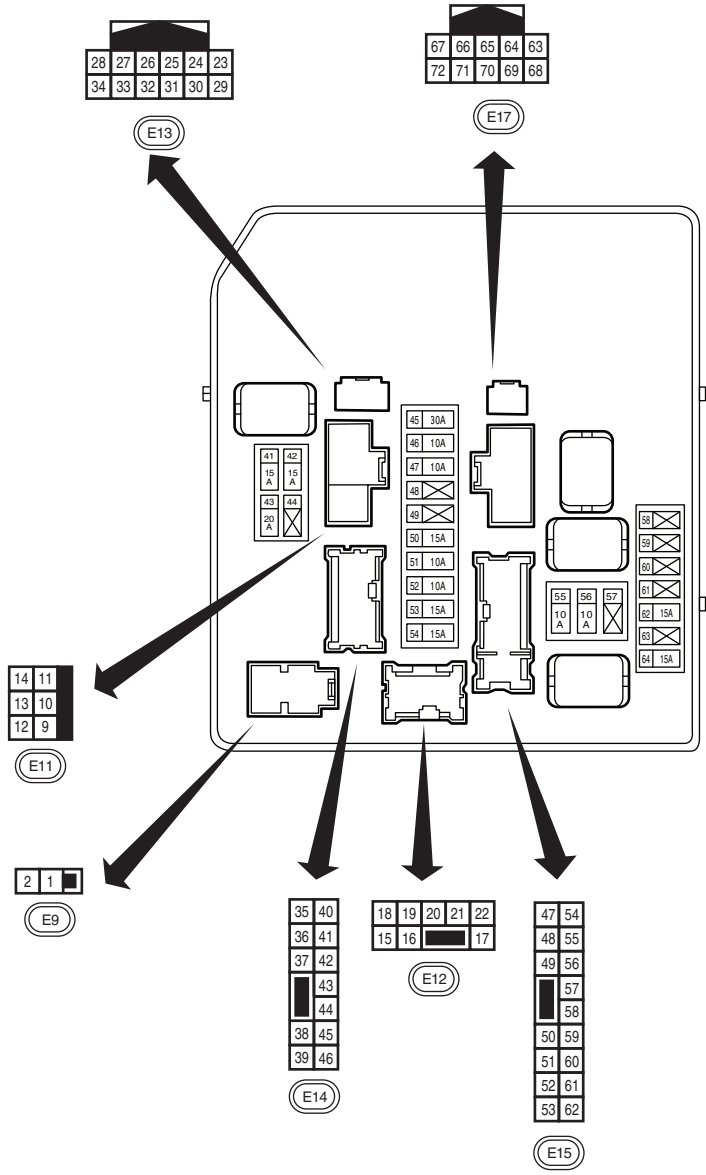


NO. 51 - 38, 79 - 82 : FUSE

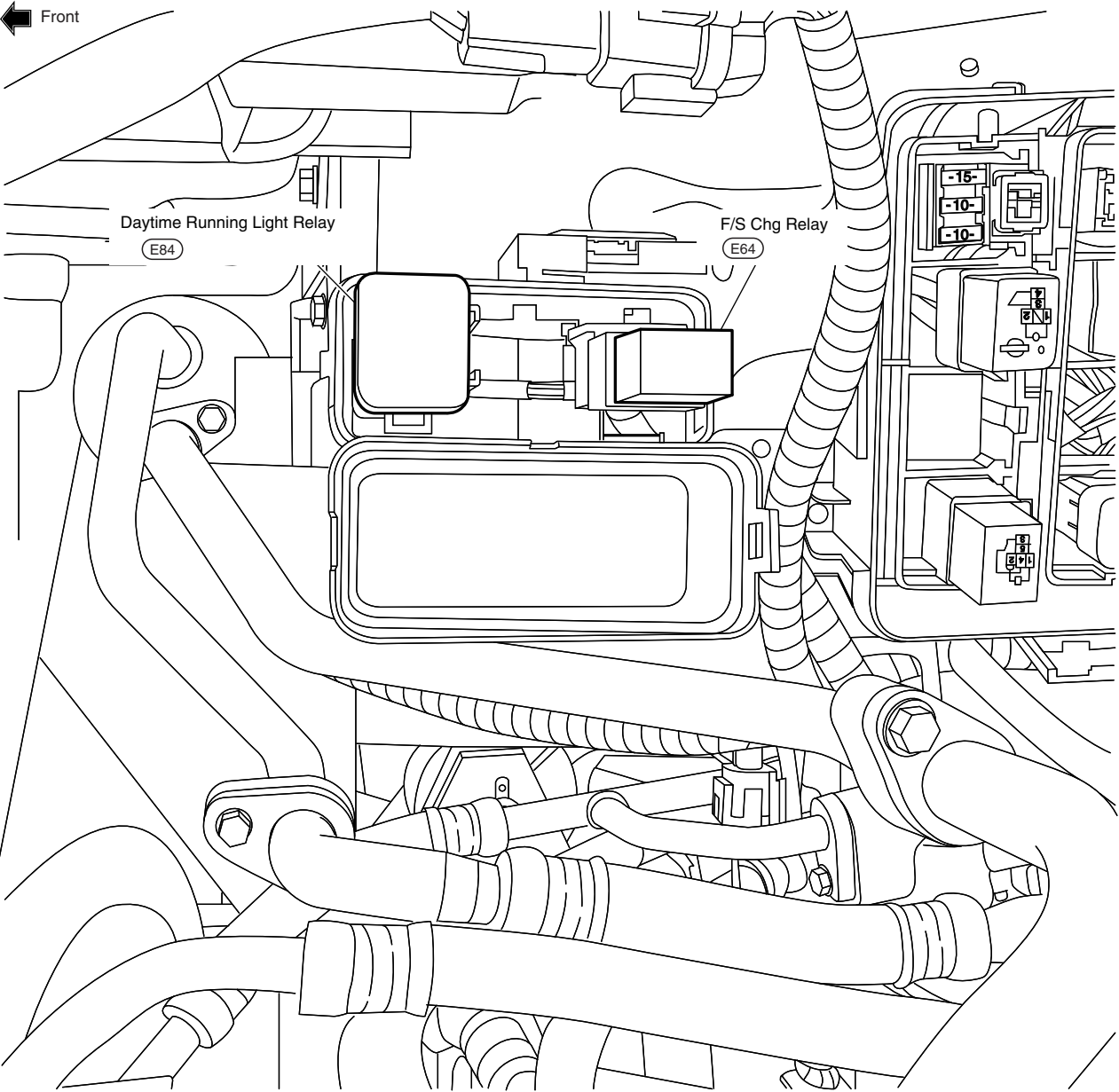
G - N : FUSIBLE LINK



IPDM E/R (INTELLIGENT POWER DISTRIBUTION MODULE ENGINE ROOM) Fuse, Connector and Terminal Arrangement

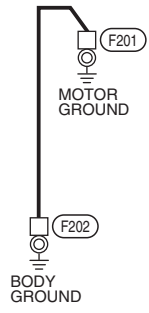
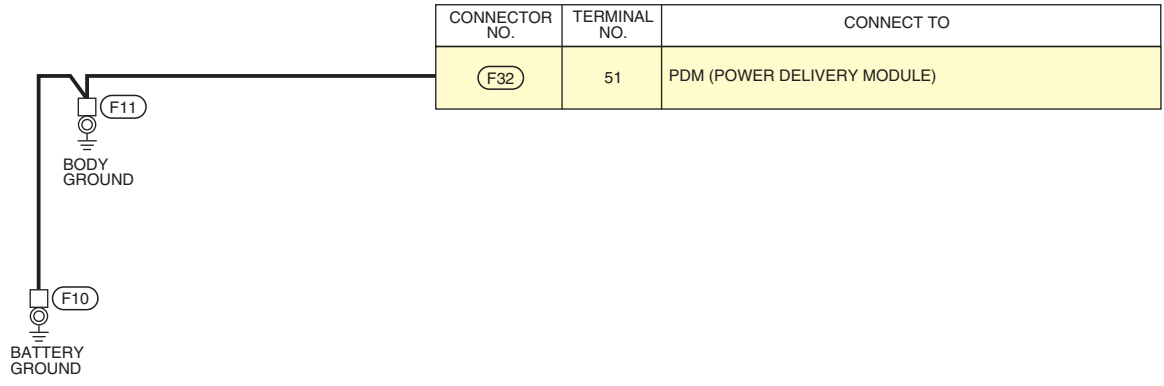


RELAY BOX



GROUNDS

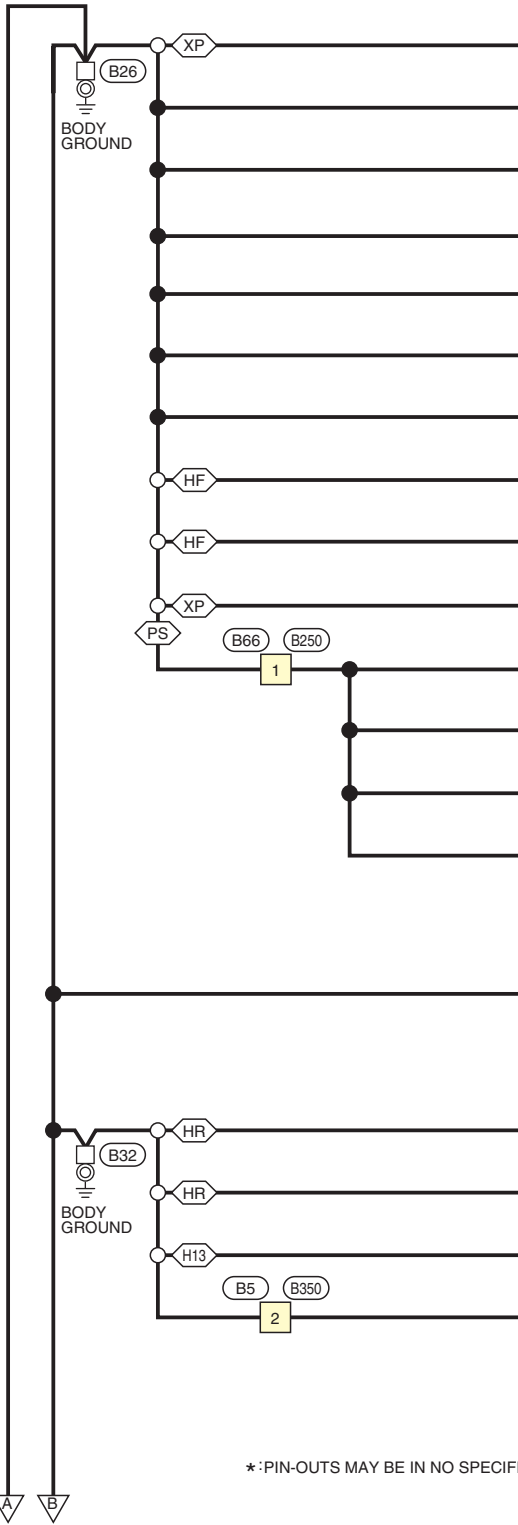
GROUND - BATTERY CABLE



GROUND - BODY HARNESS

- H13 : WITHOUT REAR HEATED SEATS
- HF : WITH FRONT HEATED SEATS
- HR : WITH REAR HEATED SEATS

- PS : WITH POWER SEATS
- WB : WITH ELECTRIC PARKING BRAKE
- WP : WITH BOSE AUDIO SYSTEM
- XP : WITHOUT POWER SEATS

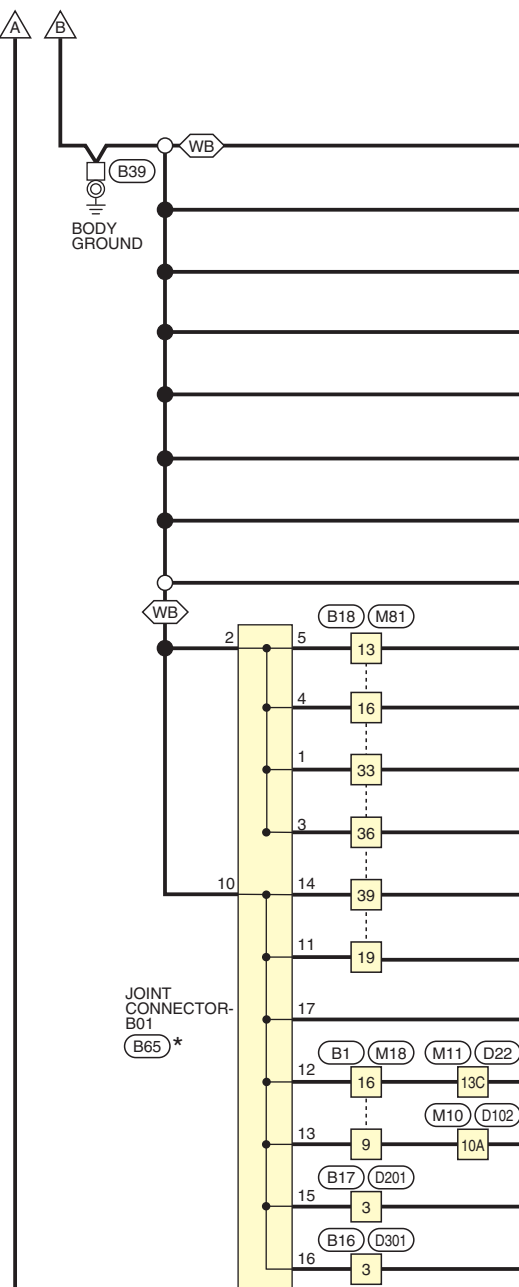


CONNECTOR NO.	TERMINAL NO.	CONNECT TO
B21	1	FRONT SEAT HEATER LH
B24	6	LI-ION BATTERY
B24	7	LI-ION BATTERY
B24	8	LI-ION BATTERY
B24	10	LI-ION BATTERY
B24	13	LI-ION BATTERY
B24	16	LI-ION BATTERY
B25	4	FRONT HEATED SEAT SWITCH LH
B33	4	FRONT HEATED SEAT SWITCH RH
B50	2	SEAT BELT BUCKLE SWITCH LH
B251	4	POWER SEAT SWITCH LH
B252	2	LUMBER SUPPORT SWITCH
B253	1	FRONT SEAT HEATER LH
B254	2	SEAT BELT BUCKLE SWITCH LH

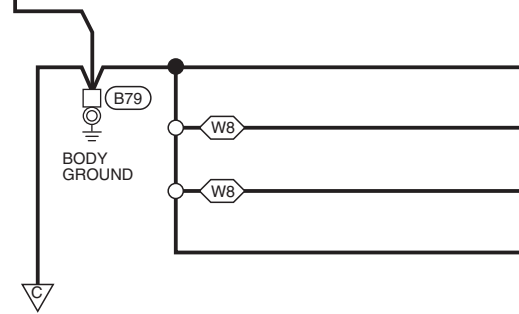
CONNECTOR NO.	TERMINAL NO.	CONNECT TO
B24	-	LI-ION BATTERY (SHIELD)

CONNECTOR NO.	TERMINAL NO.	CONNECT TO
B22	3	REAR SEAT HEATER
B23	2	FRONT SEAT HEATER RH
B47	2	FRONT SEAT HEATER RH
B351	6	OCCUPANT CLASSIFICATION SYSTEM CONTROL UNIT

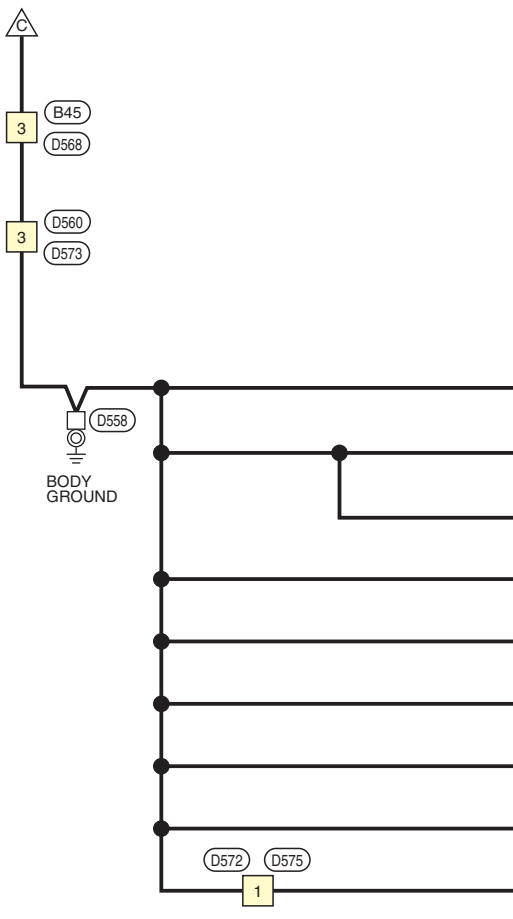
* :PIN-OUTS MAY BE IN NO SPECIFIC ORDER ON A COMMON BUS BAR IN JOINT CONNECTORS.



CONNECTOR NO.	TERMINAL NO.	CONNECT TO
B11	8	BOSE SPEAKER AMP.
B59	5	REAR COMBINATION LAMP RH
B63	1	CAN TERMINATOR 2 (ITS CAN COMMUNICATION)
B64	12	CHASSIS CONTROL MODULE
B84	15	SONAR CONTROL UNIT
B86	8	SIDE RADAR LH
B87	3	SIDE RADAR RH
B87	8	SIDE RADAR RH
B27	-	BOSE SPEAKER AMP. (SHIELD)
B27	-	BOSE SPEAKER AMP. (SHIELD)
B27	-	BOSE SPEAKER AMP. (SHIELD)
B27	-	BOSE SPEAKER AMP. (SHIELD)
M525	-	TWEETER RH (SHIELD)
M121	-	TWEETER LH (SHIELD)
B43	-	SUBWOOFER (SHIELD)
D24	-	FRONT DOOR SPEAKER LH (SHIELD)
D124	-	FRONT DOOR SPEAKER RH (SHIELD)
D205	-	REAR DOOR SPEAKER LH (SHIELD)
D305	-	REAR DOOR SPEAKER RH (SHIELD)

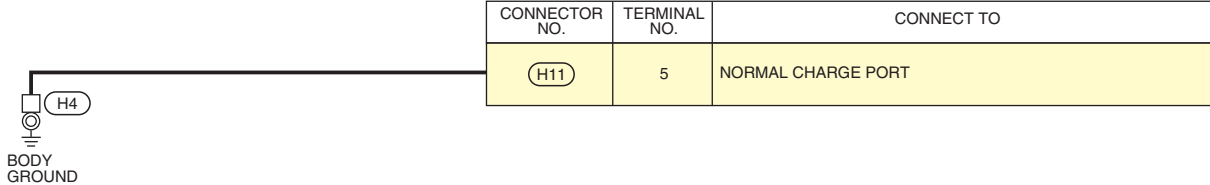


CONNECTOR NO.	TERMINAL NO.	CONNECT TO
B15	2	BRAKE POWER SUPPLY BACKUP UNIT
B70	28	ELECTRIC PARKING BRAKE CONTROL MODULE
B70	30	ELECTRIC PARKING BRAKE CONTROL MODULE
B80	5	REAR COMBINATION LAMP LH





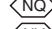








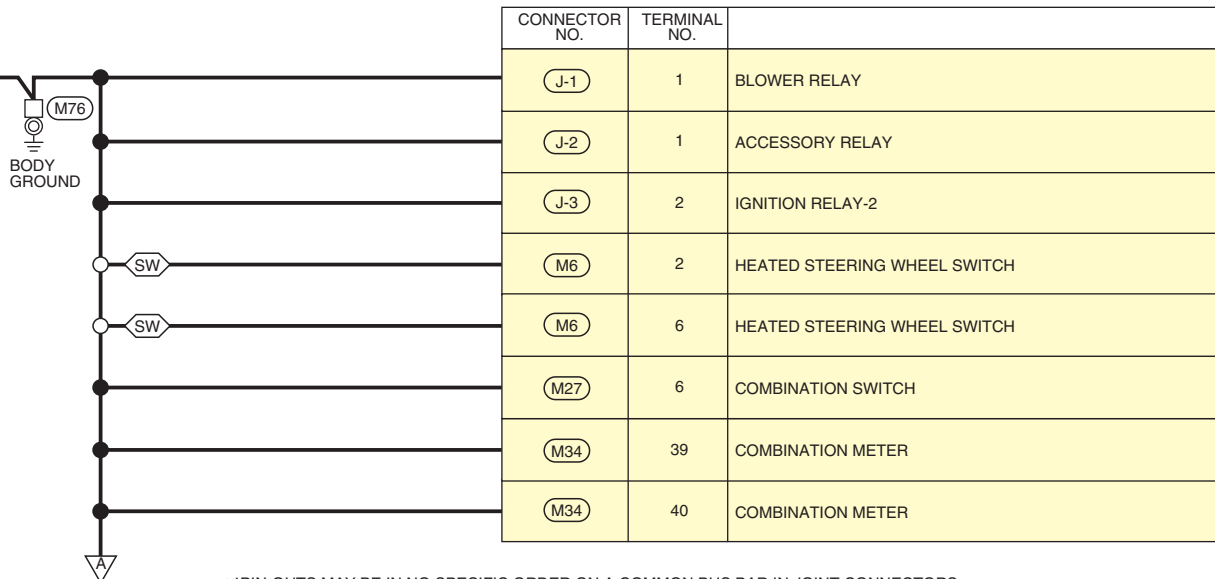
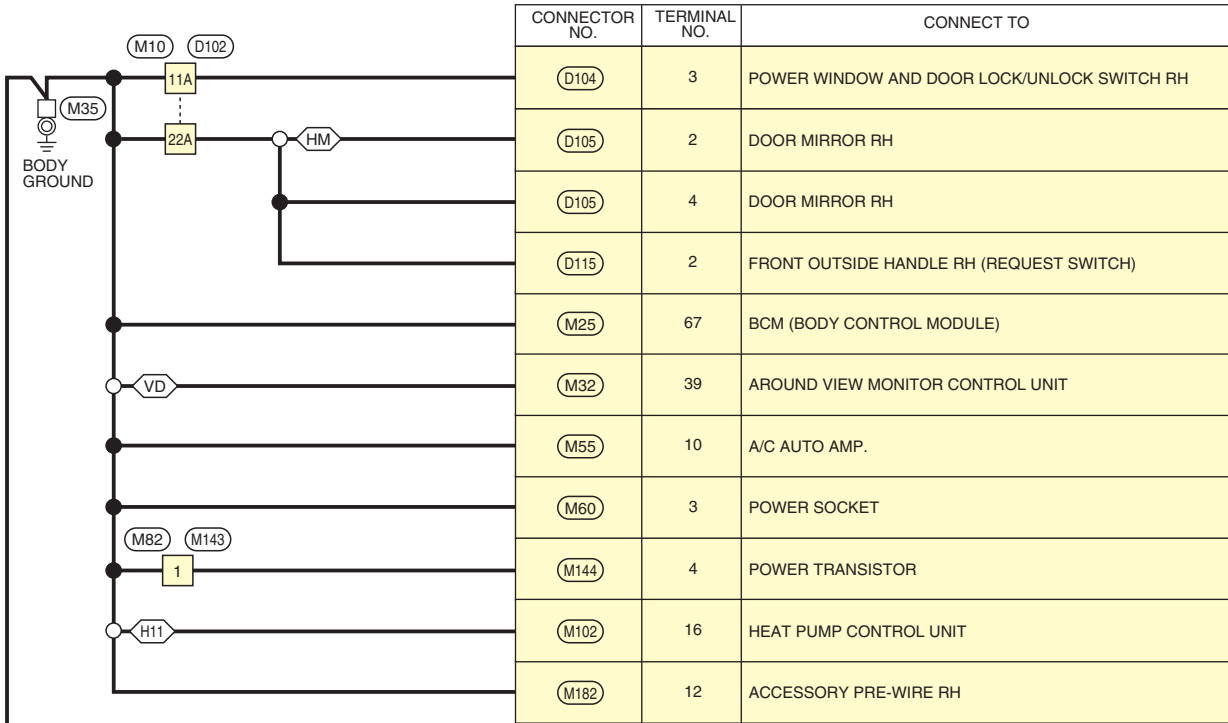
CONNECTOR NO.	TERMINAL NO.	CONNECT TO
D554	3	REAR WIPER MOTOR
D562	2	BACK DOOR LOCK ASSEMBLY
D562	3	BACK DOOR LOCK ASSEMBLY
D563	2	BACK DOOR OPENER ASSEMBLY
D563	3	BACK DOOR OPENER ASSEMBLY
D565	2	REAR WINDOW DEFOGGER
D570	2	LICENSE PLATE LAMP LH
D571	2	LICENSE PLATE LAMP RH
D576	1	HIGH-MOUNTED STOP LAMP

GROUND - HIGH VOLTAGE HARNESS

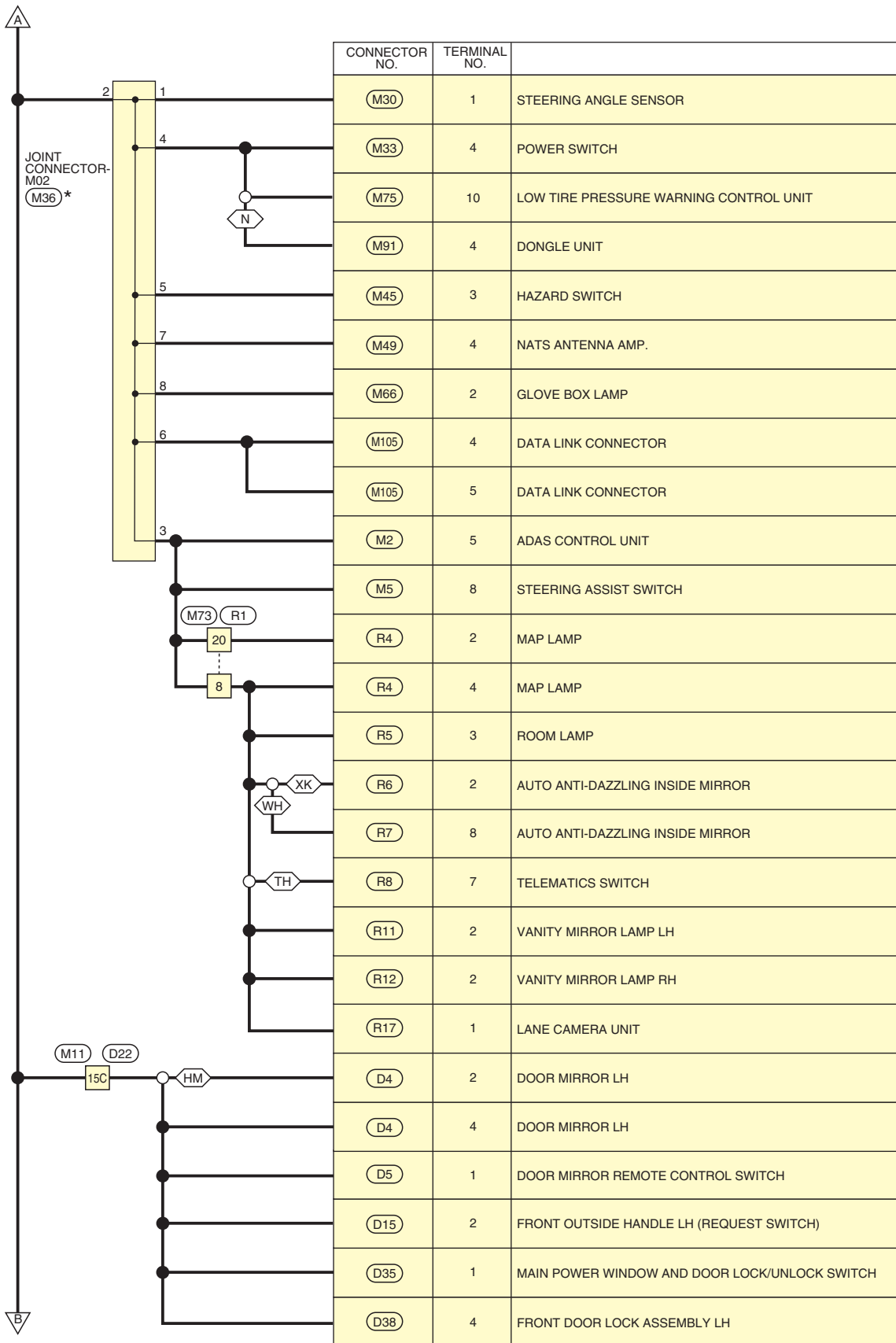


GROUND - MAIN HARNESS

-  : WITH HEAT PUMP
-  : WITH HEATED MIRRORS
-  : WITH REAR HEATED SEATS
-  : FOR CANADA
-  : WITH DISPLAY AUDIO SYSTEM
-  : WITH NAVIGATION SYSTEM
-  : WITH HEATED STEERING WHEEL
-  : WITH TELEMATICS SYSTEM
-  : WITH INTELLIGENT AROUND VIEW MONITOR SYSTEM
-  : WITH HOMELINK® UNIVERSAL TRANSCEIVER
-  : WITHOUT HOMELINK® UNIVERSAL TRANSCEIVER



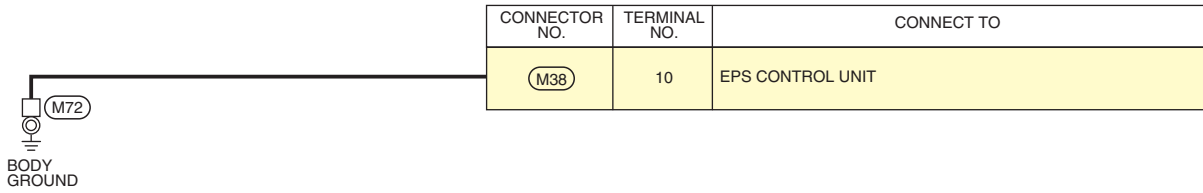
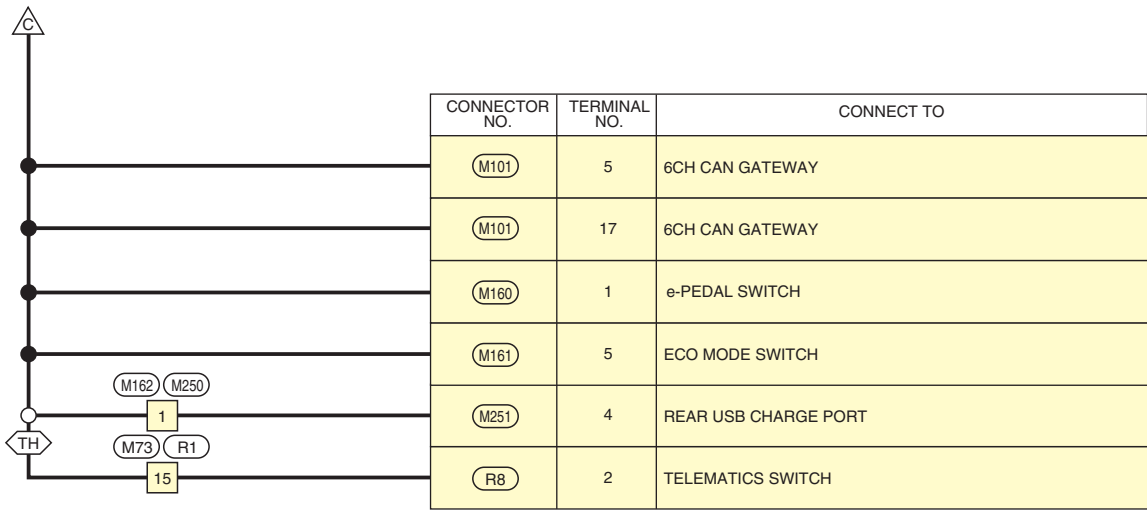
* : PIN-OUTS MAY BE IN NO SPECIFIC ORDER ON A COMMON BUS BAR IN JOINT CONNECTORS.



B

C

CONNECTOR NO.	TERMINAL NO.	CONNECT TO
M47	1	APPROACHING VEHICLE SOUND FOR PEDESTRIANS (VSP) CONTROL UNIT
M57	-	ELECTRIC SHIFT SENSOR (SHIELD)
M57	-	ELECTRIC SHIFT SENSOR (SHIELD)
M57	-	ELECTRIC SHIFT SENSOR (SHIELD)
M67	-	TCU (SHIELD)
M67	-	TCU (SHIELD)
M67	-	TCU (SHIELD)
M61	43	AIR BAG DIAGNOSIS SENSOR UNIT
M63	2	FRONT PASSENGER AIR BAG OFF INDICATOR
M65	8	IMMEDIATE CHARGING SWITCH
M67	28	TCU
M67	29	TCU
M70	20	AV CONTROL UNIT
M163	4	FRONT AUXILIARY INPUT JACKS CONTROL UNIT
M80	2	COMBINATION SWITCH (SPIRAL CABLE)
M68	20	AV CONTROL UNIT
M90	1	REAR HEATED SEAT RELAY
M93	3	CHARGE PORT LID OPENER SWITCH
M97	1	CAN TERMINATOR (IT CAN COMMUNICATION)



GROUND - MOTOR ROOM HARNESS

◊FL◊ : WITH FRONT FOG LAMPS

◊H11◊ : WITH HEAT PUMP

◊H12◊ : WITHOUT HEAT PUMP

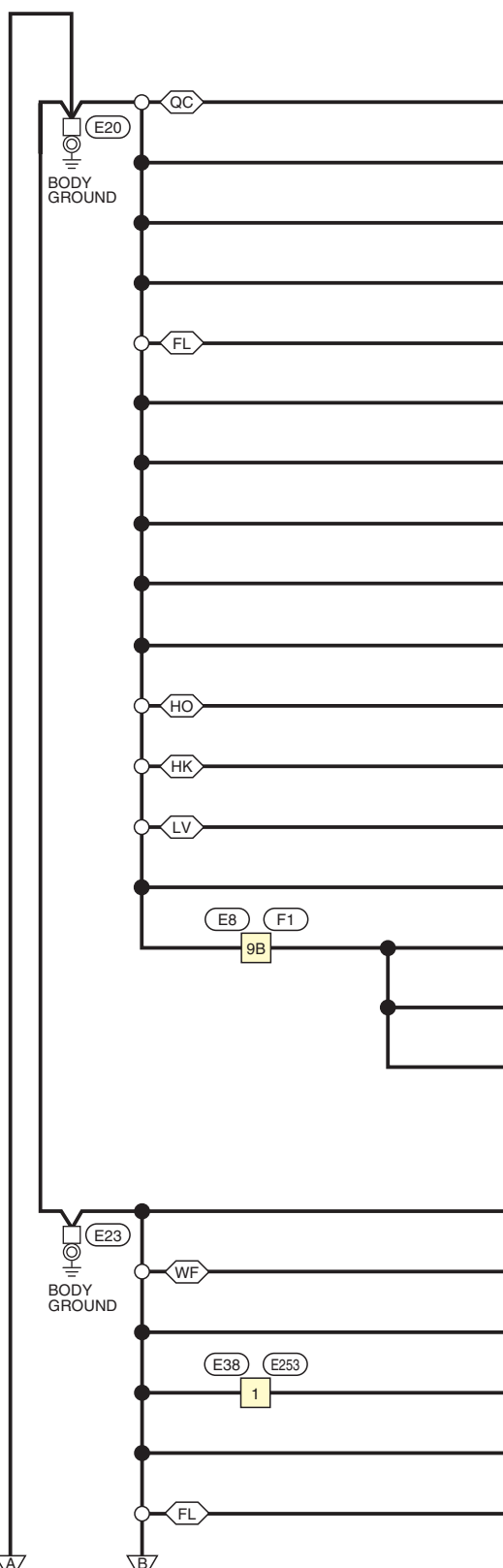
◊HK◊ : WITH HALOGEN HEADLAMPS

◊HO◊ : WITH HOOD SWITCH

◊LV◊ : WITH LED HEADLAMPS

◊QC◊ : WITH QUICK CHARGE PORT

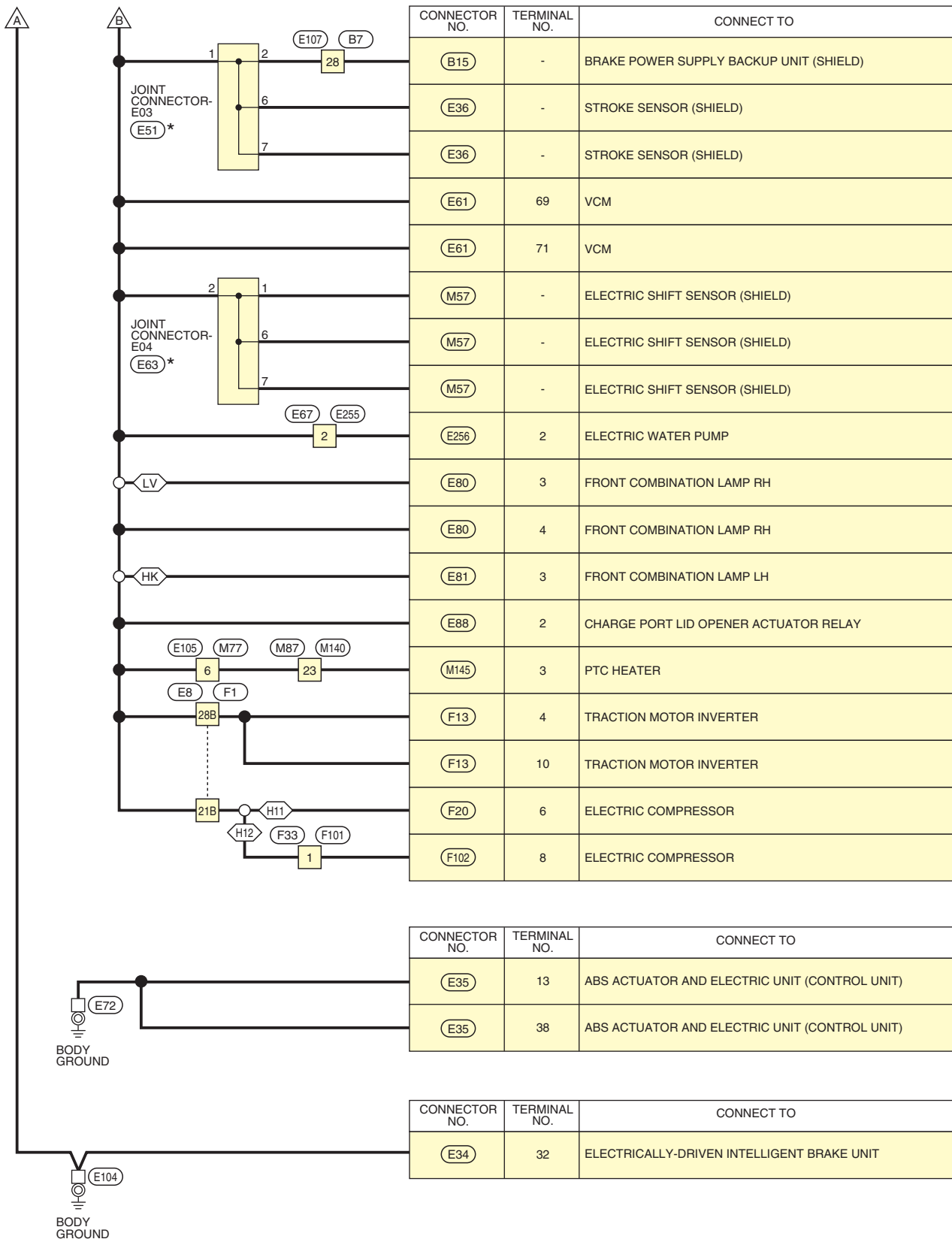
◊WF◊ : WITH WASHER FLUID LEVEL SWITCH



CONNECTOR NO.	TERMINAL NO.	CONNECT TO
E7	5	QUICK CHARGE PORT
E11	9	IPDM E/R (INTELLIGENT POWER DISTRIBUTION MODULE ENGINE ROOM)
E12	18	IPDM E/R (INTELLIGENT POWER DISTRIBUTION MODULE ENGINE ROOM)
E19	1	COOLING FAN CONTROL MODULE
E30	2	FRONT FOG LAMP LH
E37	2	BRAKE FLUID LEVEL SWITCH
E47	1	DISTANCE SENSOR
E58	1	CAN TERMINATOR 1 (ITS CAN COMMUNICATION)
E61	60	VCM
E62	144	VCM
E74	2	HOOD SWITCH
E80	3	FRONT COMBINATION LAMP RH
E81	3	FRONT COMBINATION LAMP LH
E81	4	FRONT COMBINATION LAMP LH
F14	-	TRACTION MOTOR (SHIELD)
F14	-	TRACTION MOTOR (SHIELD)
F14	-	TRACTION MOTOR (SHIELD)

CONNECTOR NO.	TERMINAL NO.	CONNECT TO
E18	2	COOLING FAN RELAY
E29	2	WASHER FLUID LEVEL SWITCH
E32	2	FRONT WIPER MOTOR
E254	1	CHARGE PORT LID OPENER ACTUATOR
E46	2	HORN (LOW)
E48	2	FRONT FOG LAMP RH

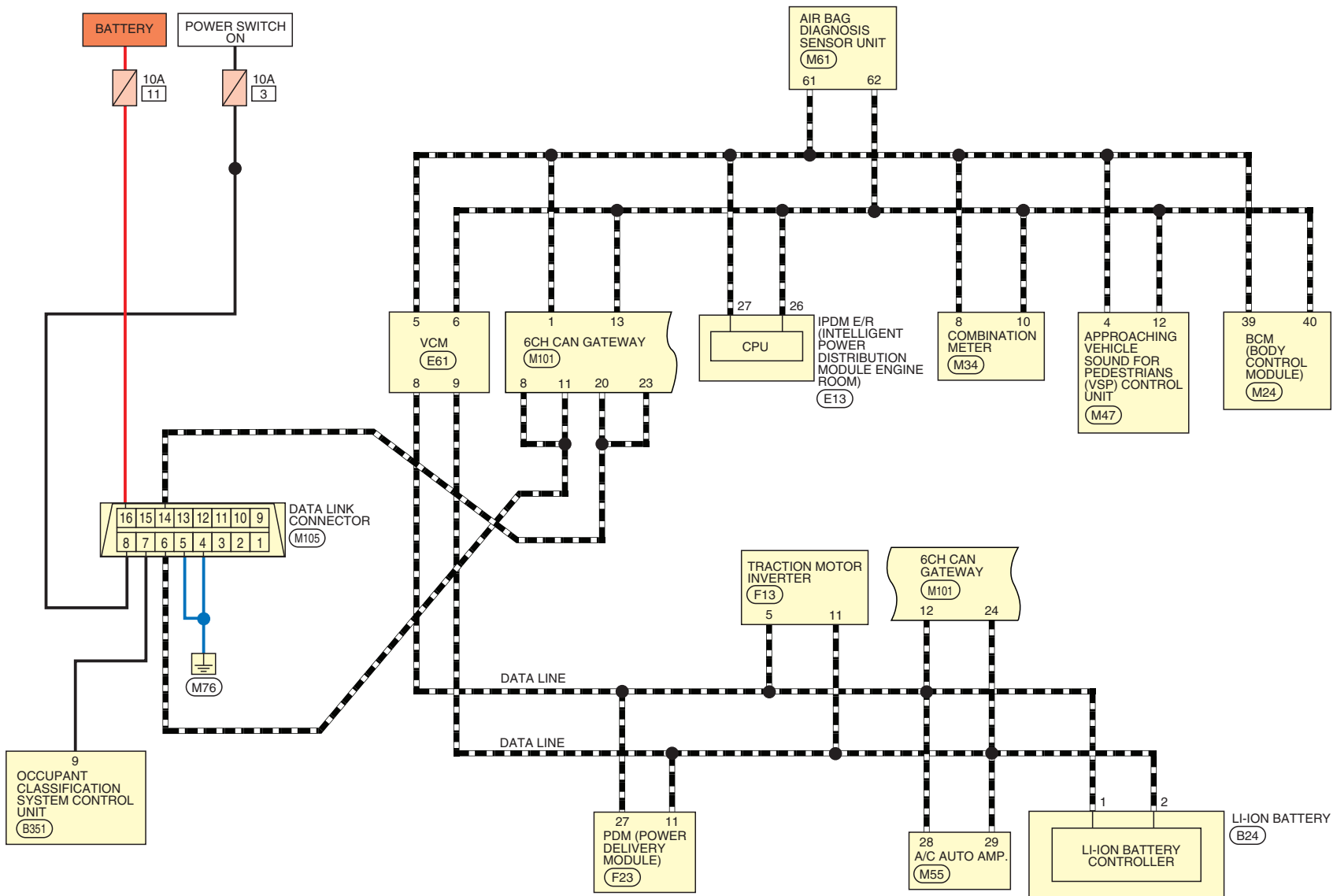
*:PIN-OUTS MAY BE IN NO SPECIFIC ORDER ON A COMMON BUS BAR IN JOINT CONNECTORS.

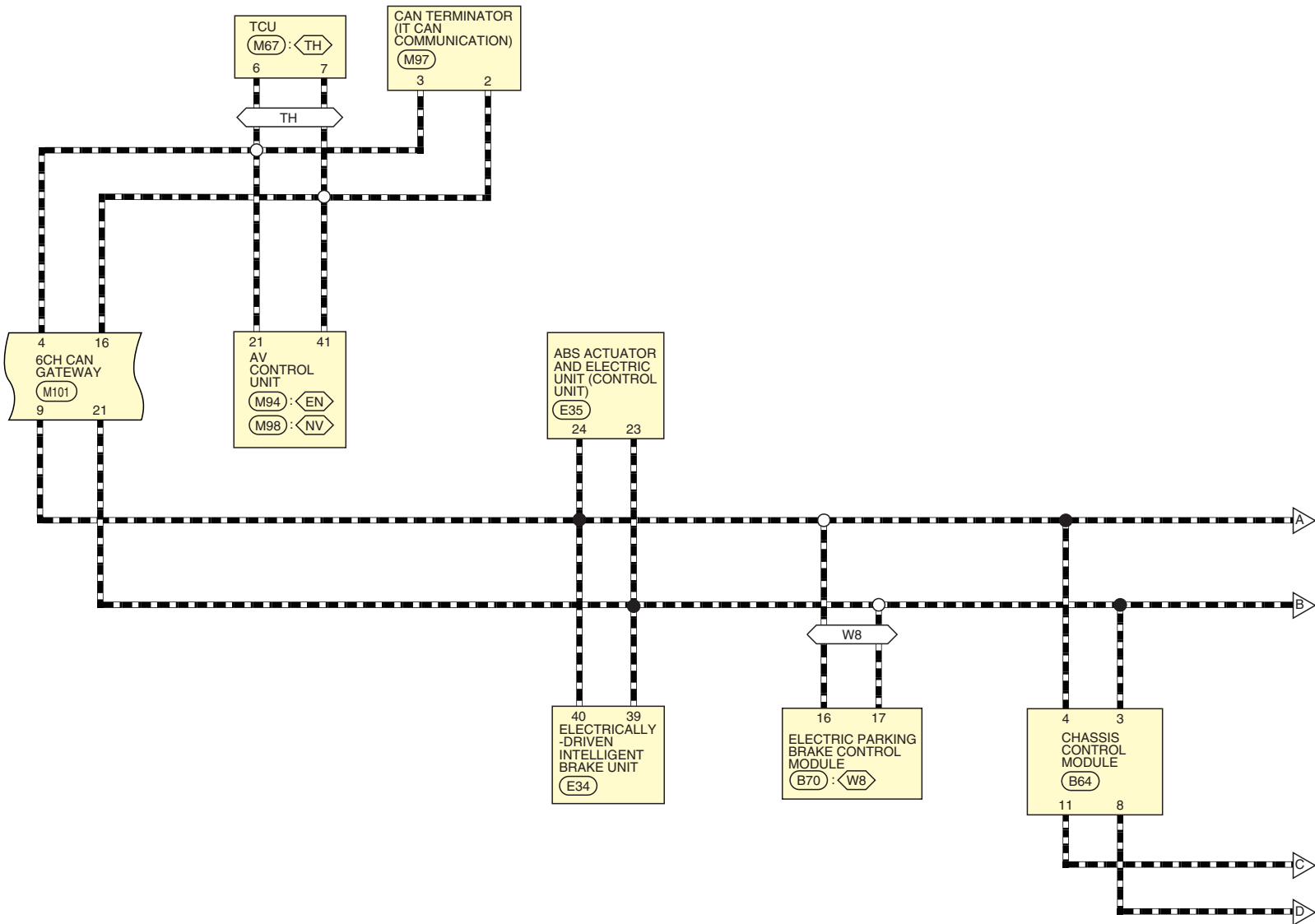


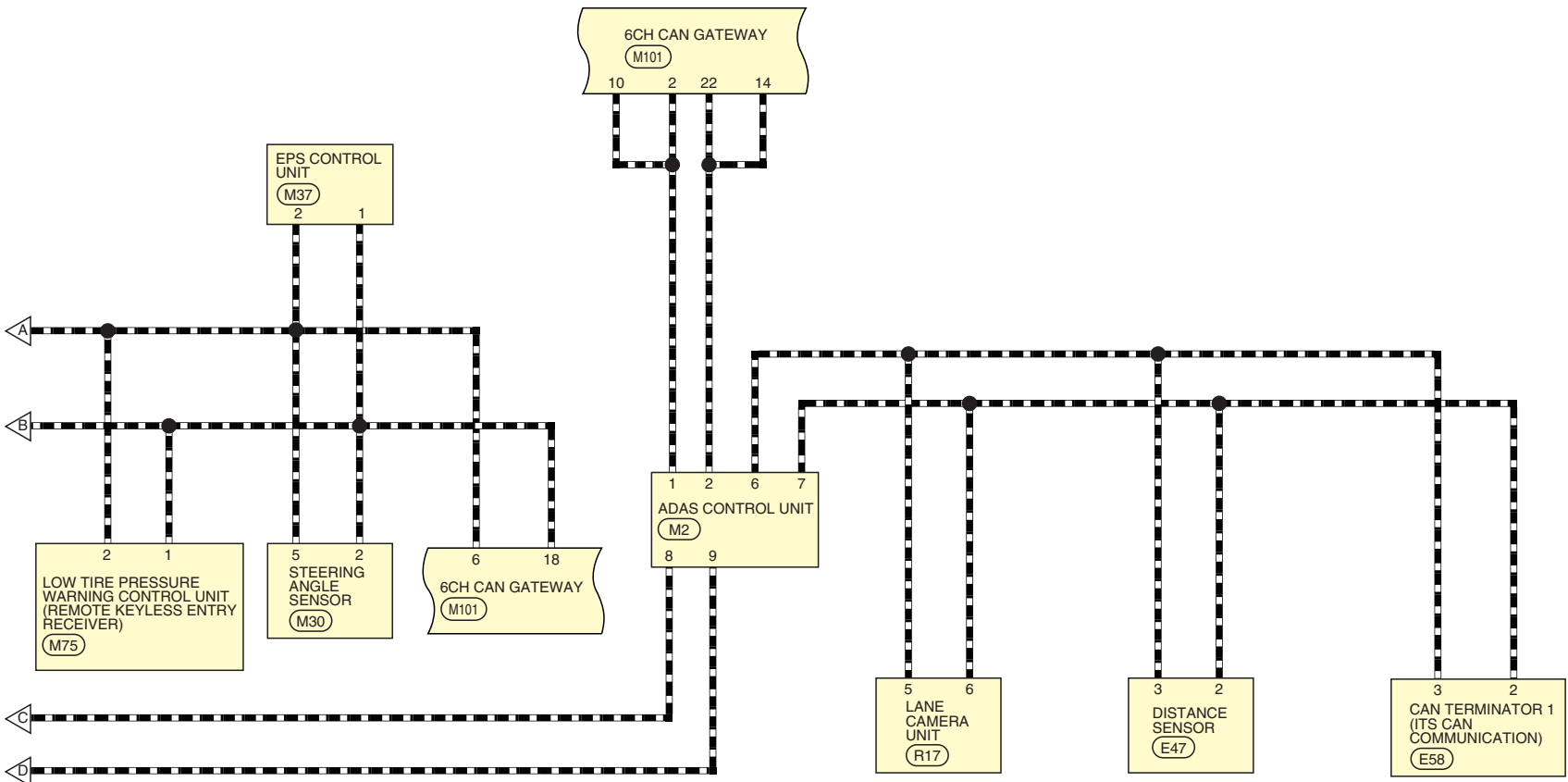
WIRING DIAGRAMS

CONSULT CHECKING SYSTEM

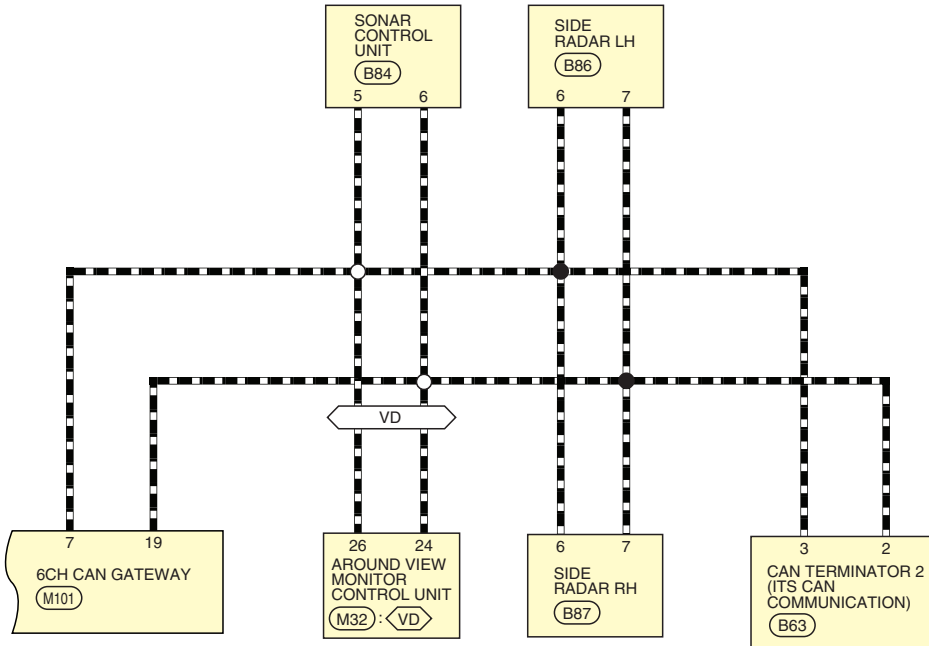
REFER TO POWER SUPPLY, GROUND & CIRCUIT ELEMENTS SECTION FOR COMPLETE POWER SUPPLY DETAIL.





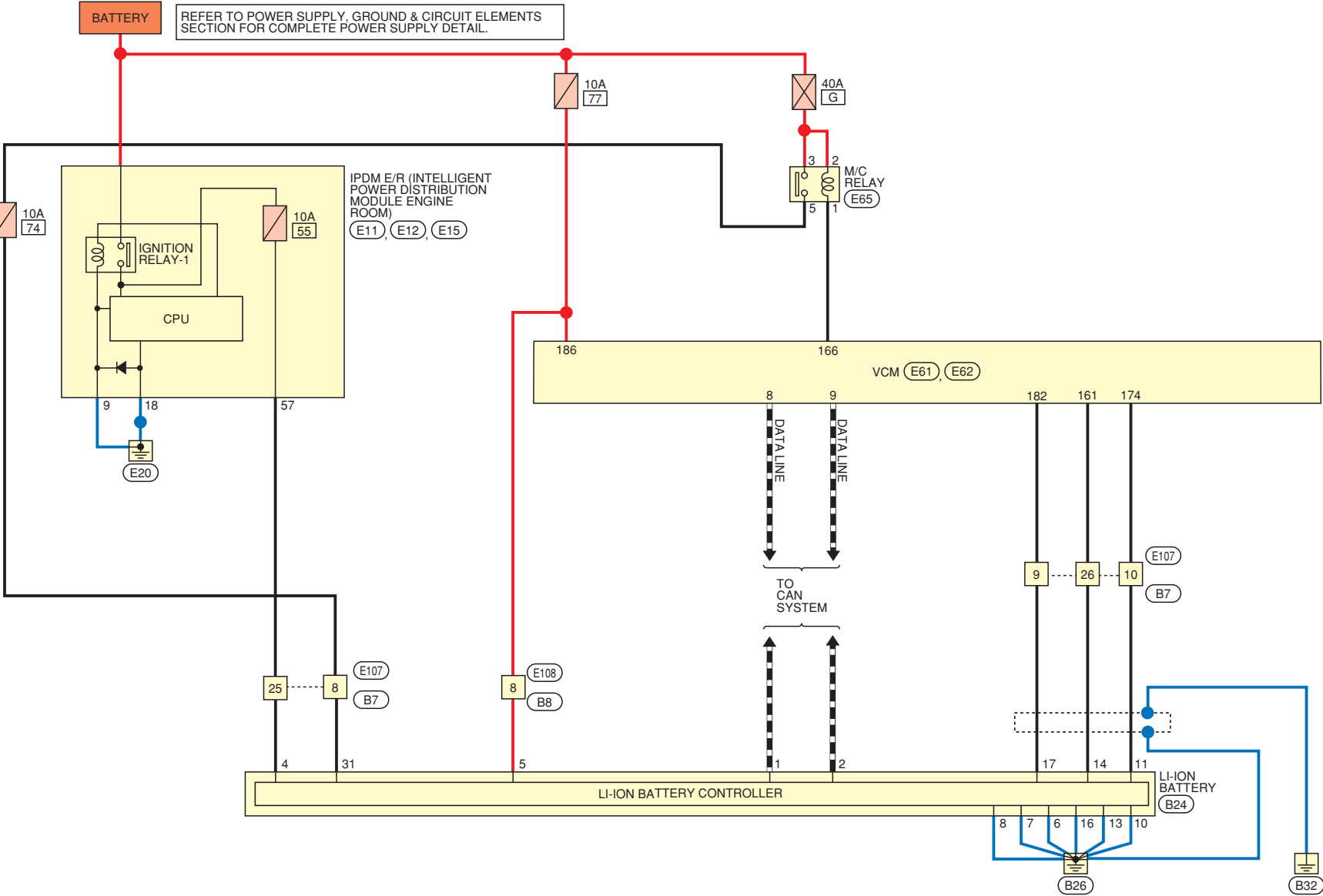


- ▬ : CAN COMMUNICATION LINE FOR DIAGNOSIS
- : DDL2 COMMUNICATION LINE
- ◊EN◊ : WITHOUT NAVIGATION SYSTEM
- ◊NV◊ : WITH NAVIGATION SYSTEM
- ◊TH◊ : WITH TELEMATICS SYSTEM
- ◊VD◊ : WITH INTELLIGENT AROUND VIEW MONITOR
- ◊WB◊ : WITH ELECTRIC PARKING BRAKE



EV BATTERY SYSTEM

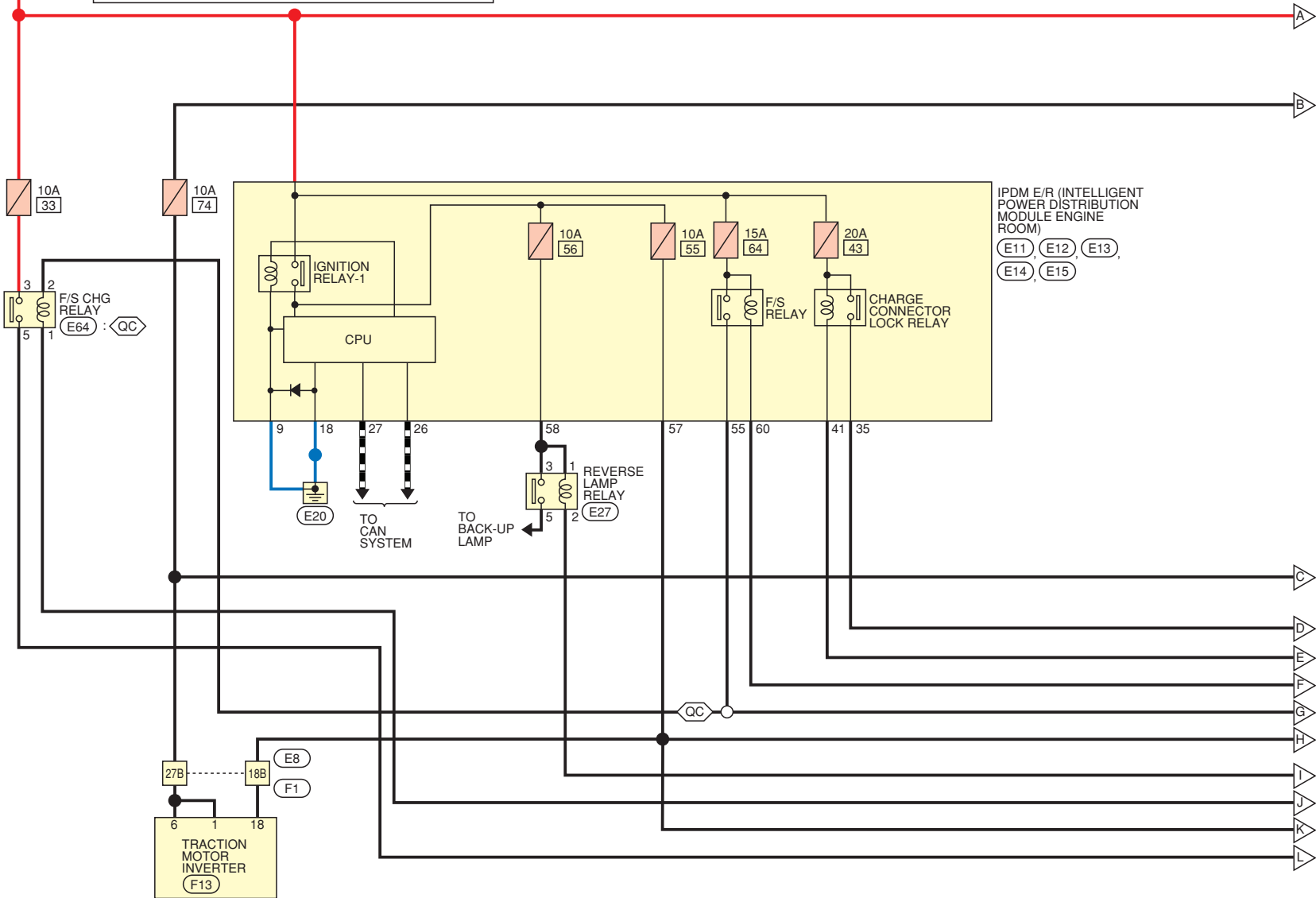
▬ : CAN COMMUNICATION LINE FOR DIAGNOSIS



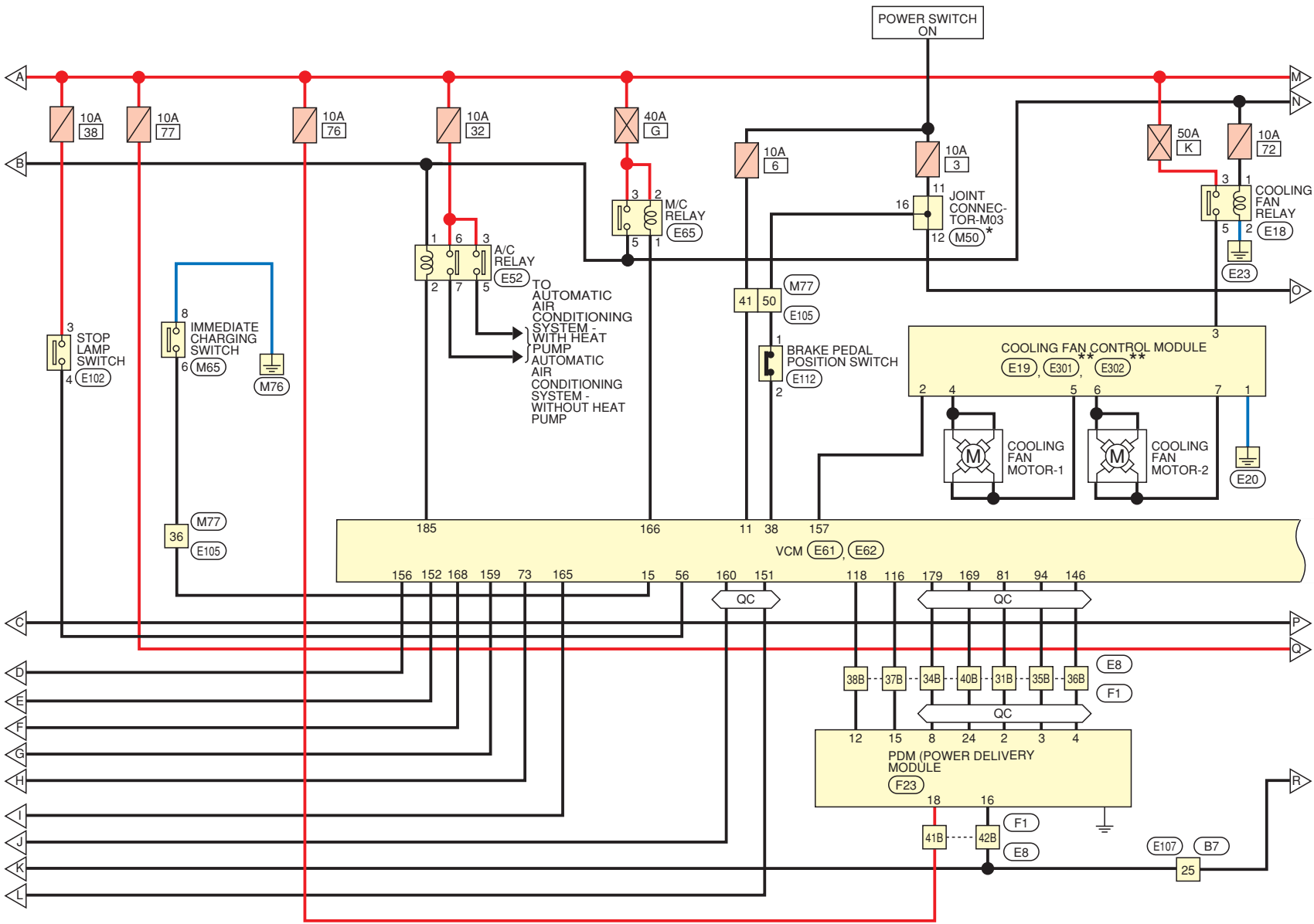
EV CONTROL SYSTEM

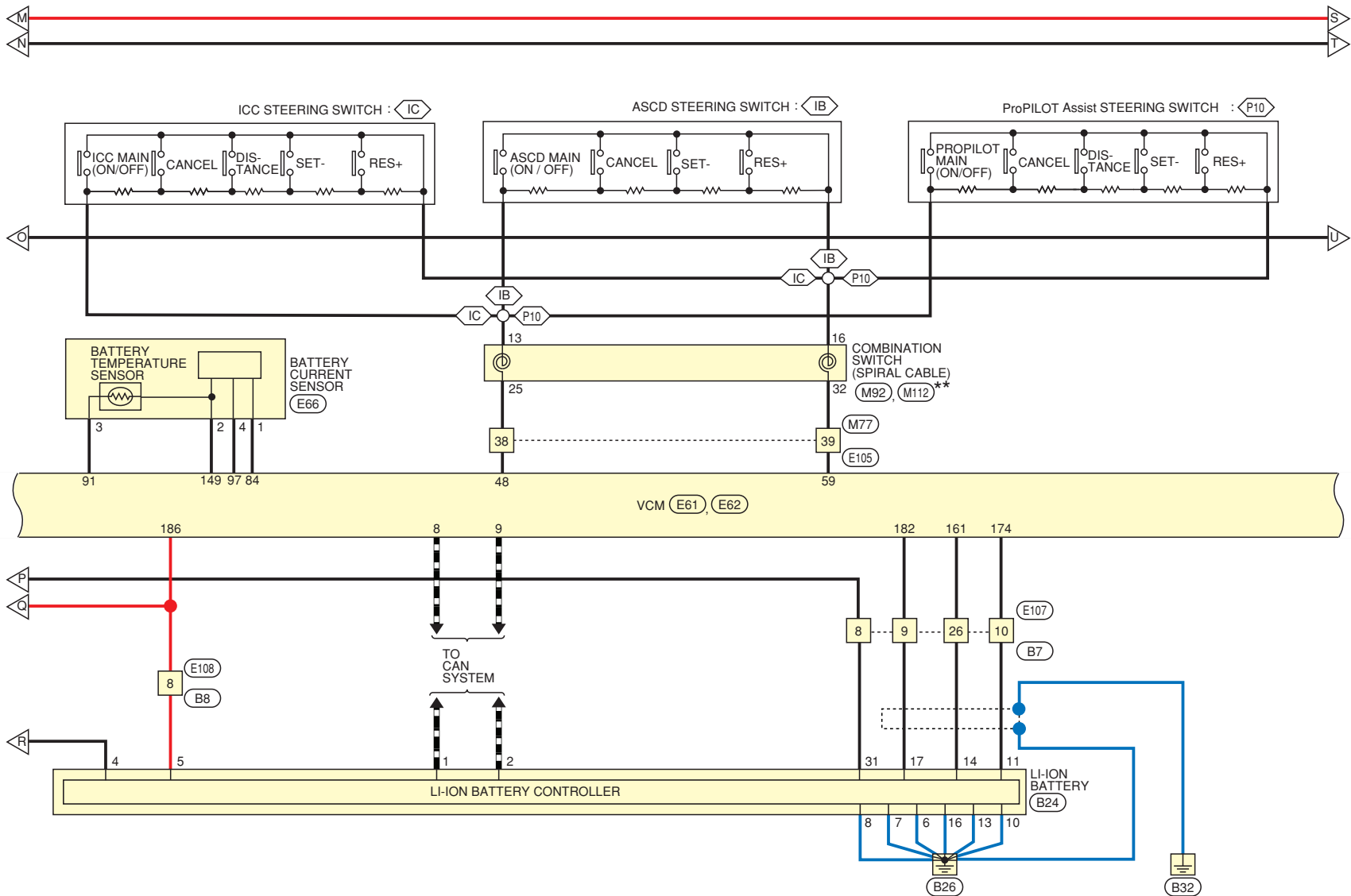
BATTERY

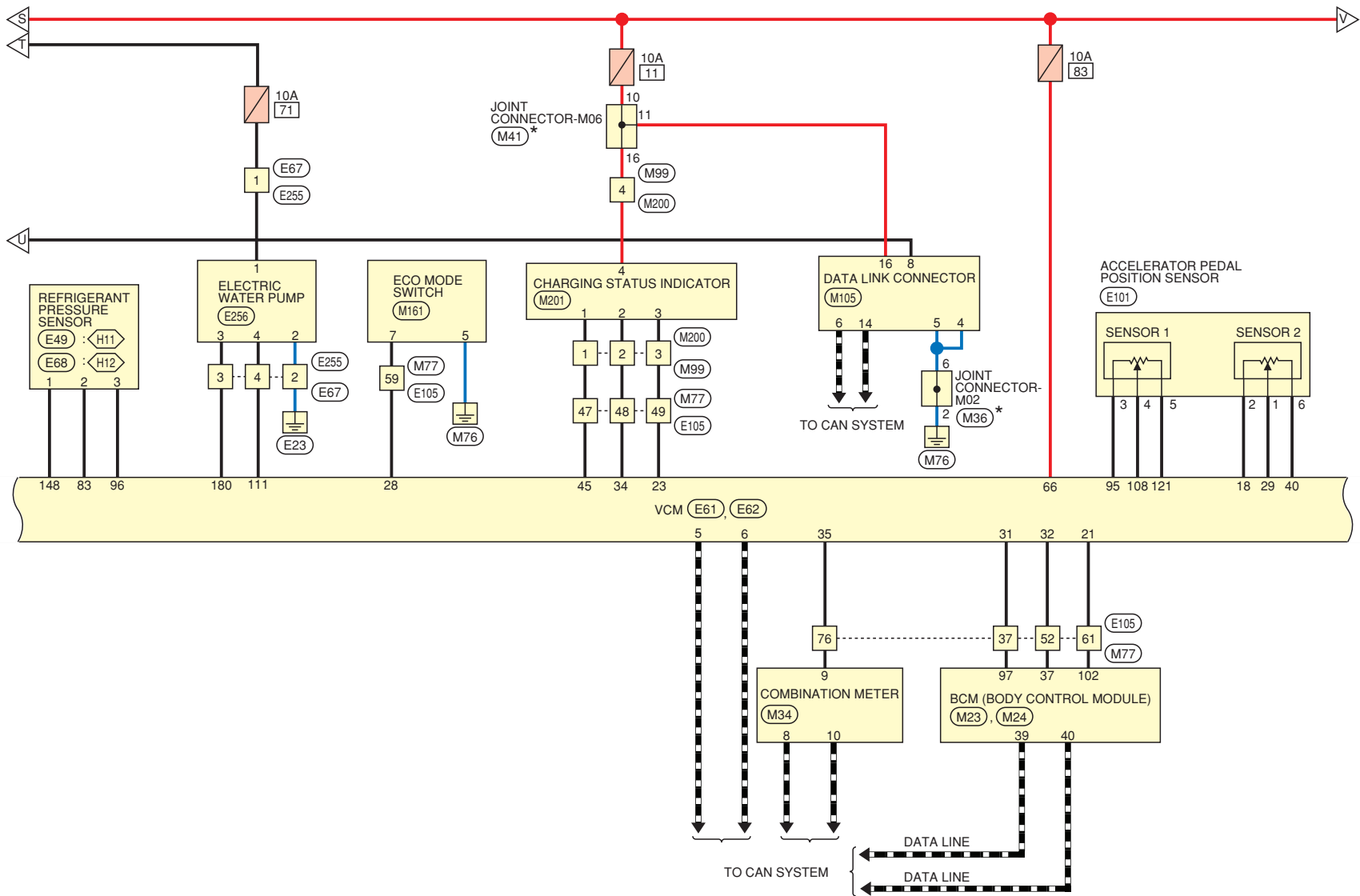
REFER TO POWER SUPPLY, GROUND & CIRCUIT ELEMENTS SECTION FOR COMPLETE POWER SUPPLY DETAIL.



* : PIN-OUTS MAY BE IN NO SPECIFIC ORDER ON A COMMON BUS BAR IN JOINT CONNECTORS.
 ** : THIS CONNECTOR IS NOT SHOWN IN "HARNESS LAYOUT" OF PG SECTION.







■ : CAN COMMUNICATION LINE FOR DIAGNOSIS

◁ : WITH HEAT PUMP

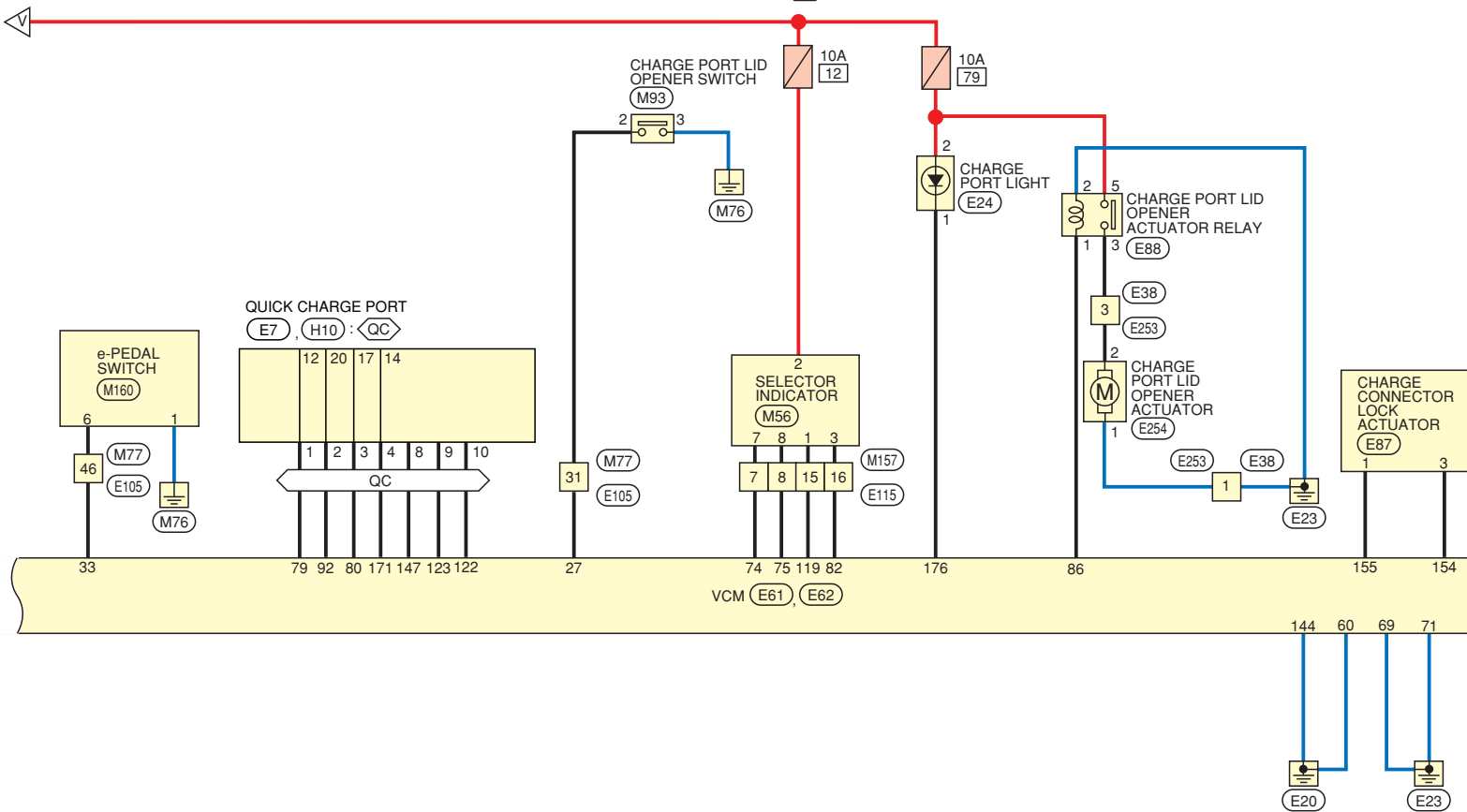
◁ : WITHOUT INTELLIGENT CRUISE CONTROL

◁ : WITH ProPILOT Assist




▷ : WITHOUT HEAT PUMP

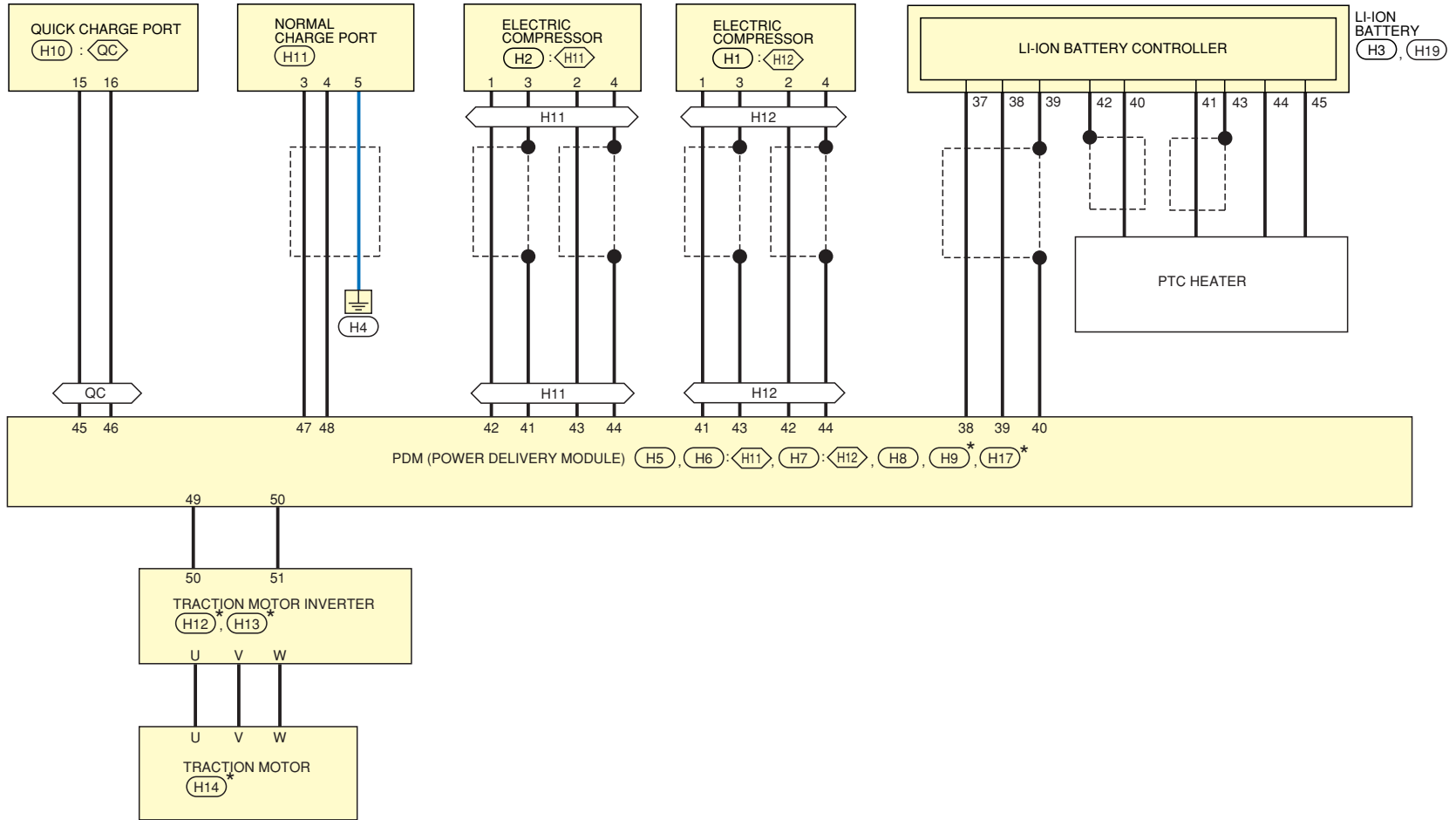
▷ : WITH INTELLIGENT CRUISE CONTROL

▷ : WITH QUICK CHARGE PORT



HIGH VOLTAGE CIRCUIT

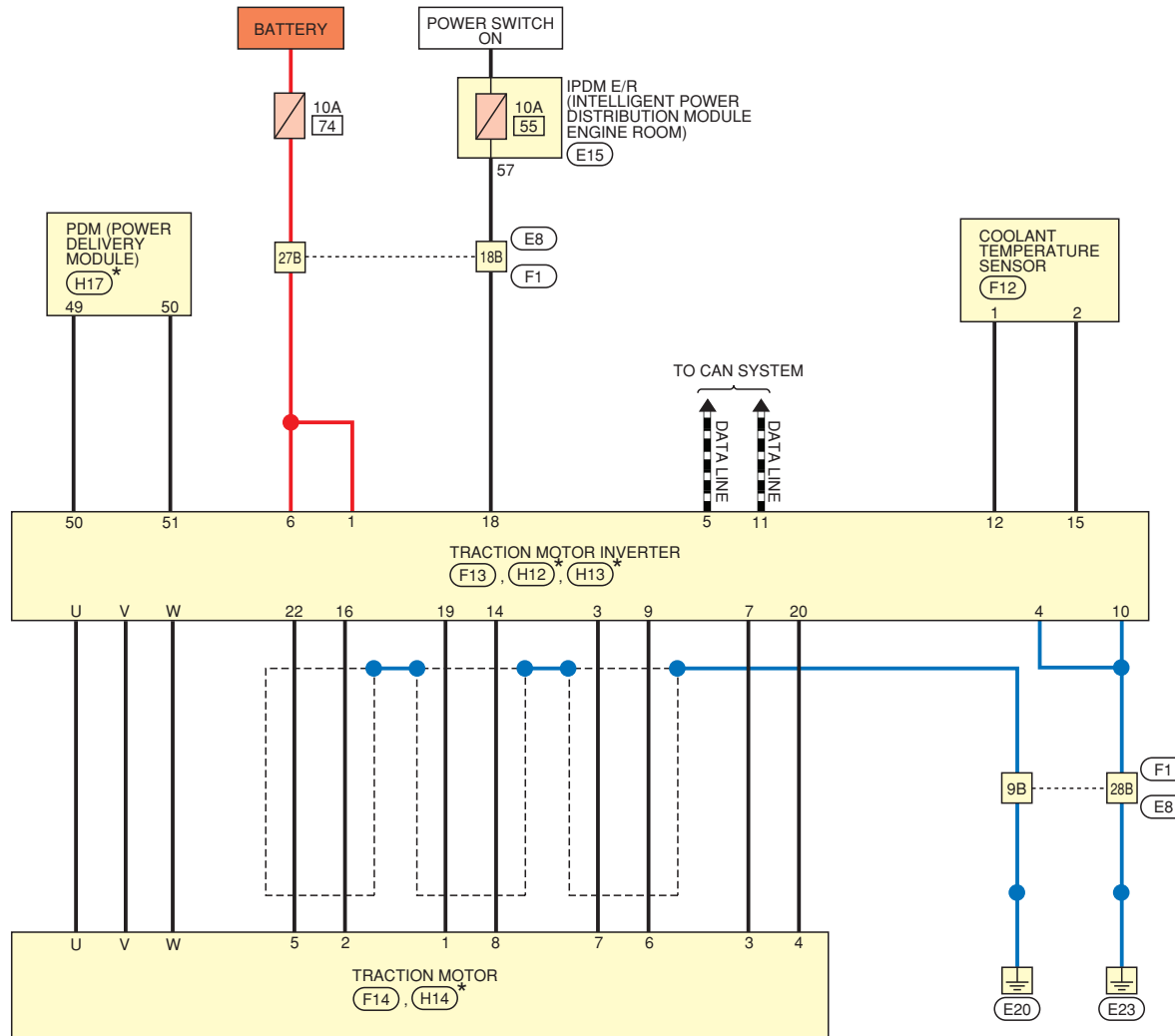
-  : WITH HEAT PUMP
-  : WITHOUT HEAT PUMP
-  : WITH QUICK CHARGE PORT



* : THIS CONNECTOR IS NOT SHOWN IN "HARNESS LAYOUT" OF PG SECTION.

TRACTION MOTOR SYSTEM

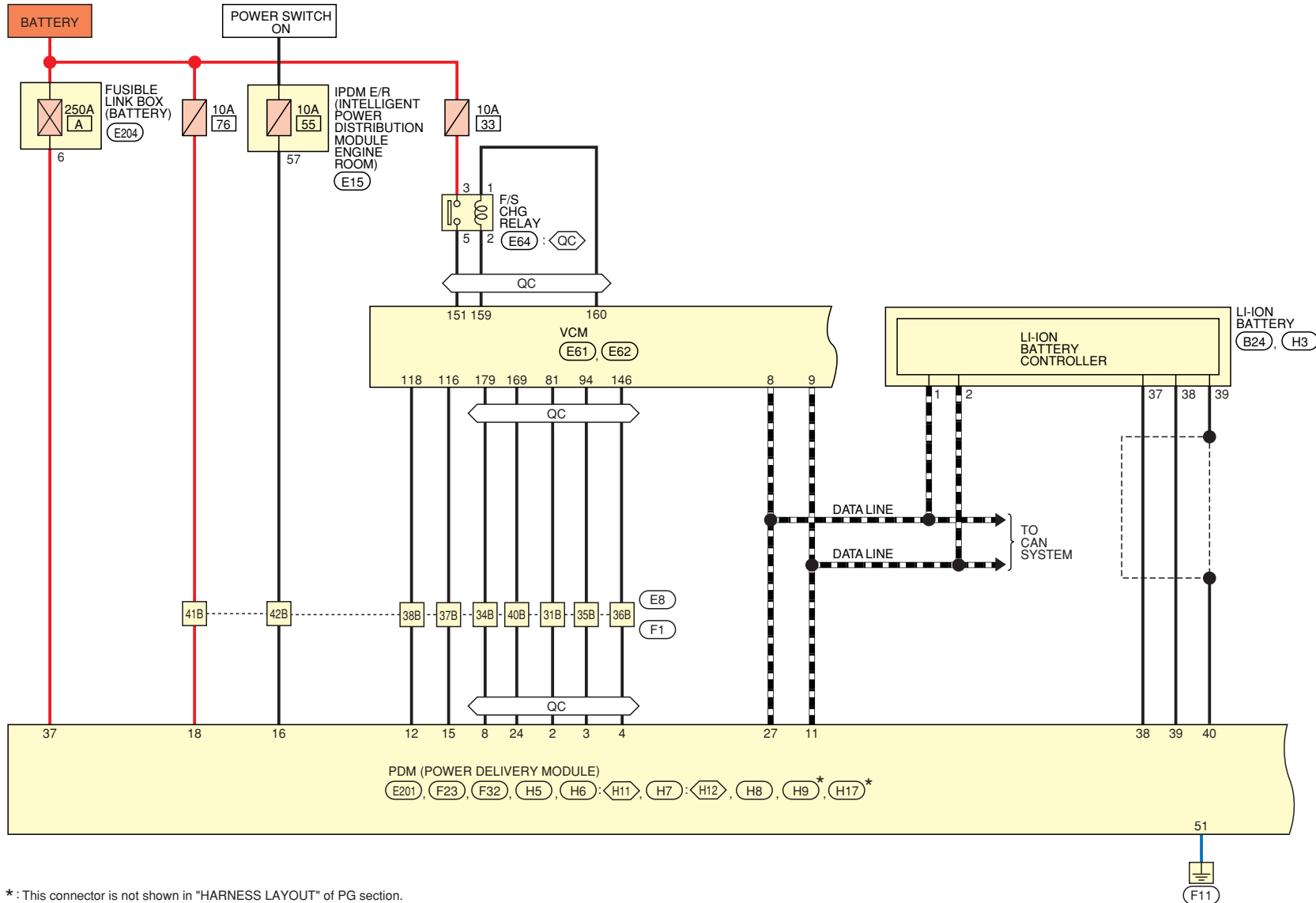
REFER TO POWER SUPPLY, GROUND & CIRCUIT ELEMENTS SECTION FOR COMPLETE POWER SUPPLY DETAIL.



*: THIS CONNECTOR IS NOT SHOWN IN "HARNESS LAYOUT" OF PG SECTION.

VEHICLE CHARGING SYSTEM

REFER TO POWER SUPPLY, GROUND & CIRCUIT ELEMENTS SECTION FOR COMPLETE POWER SUPPLY DETAIL.



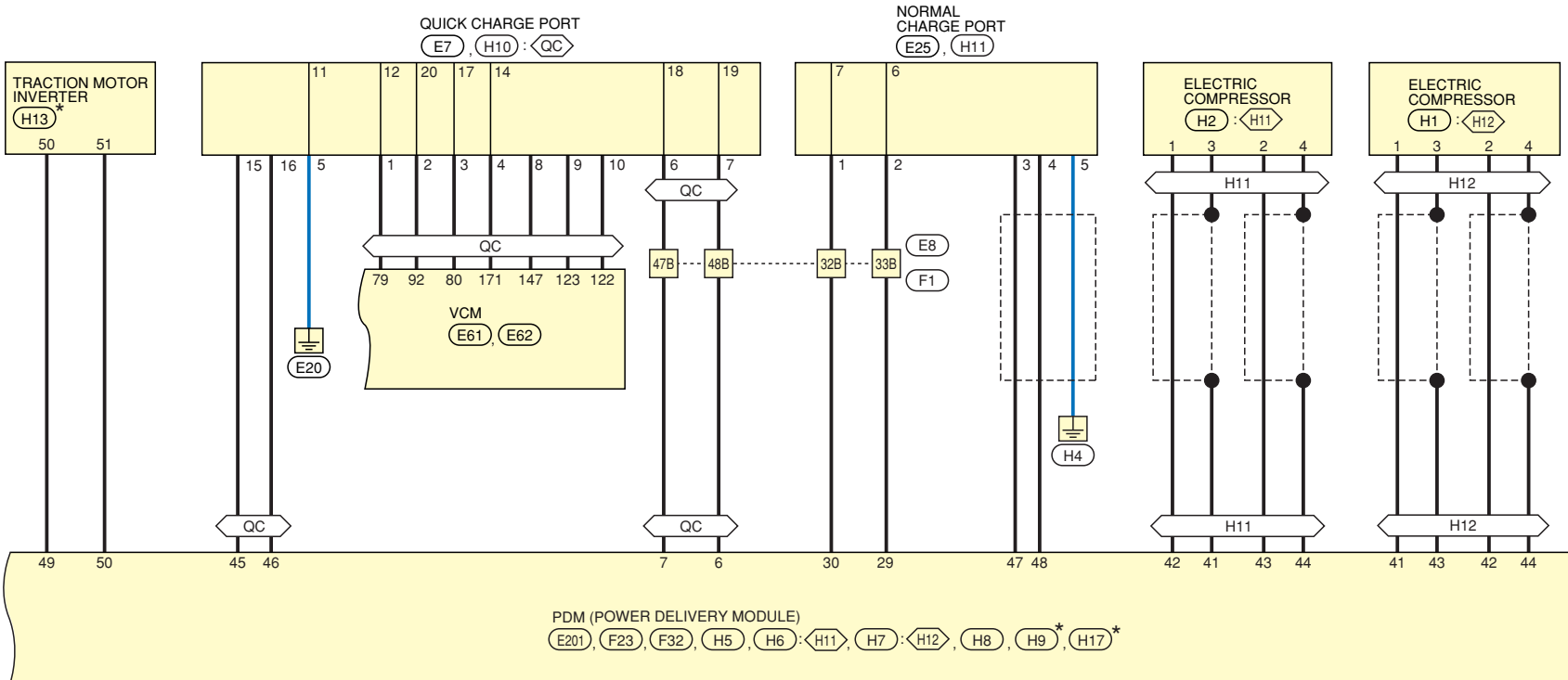
* : This connector is not shown in "HARNESS LAYOUT" of PG section.

▬ : CAN COMMUNICATION LINE FOR DIAGNOSIS

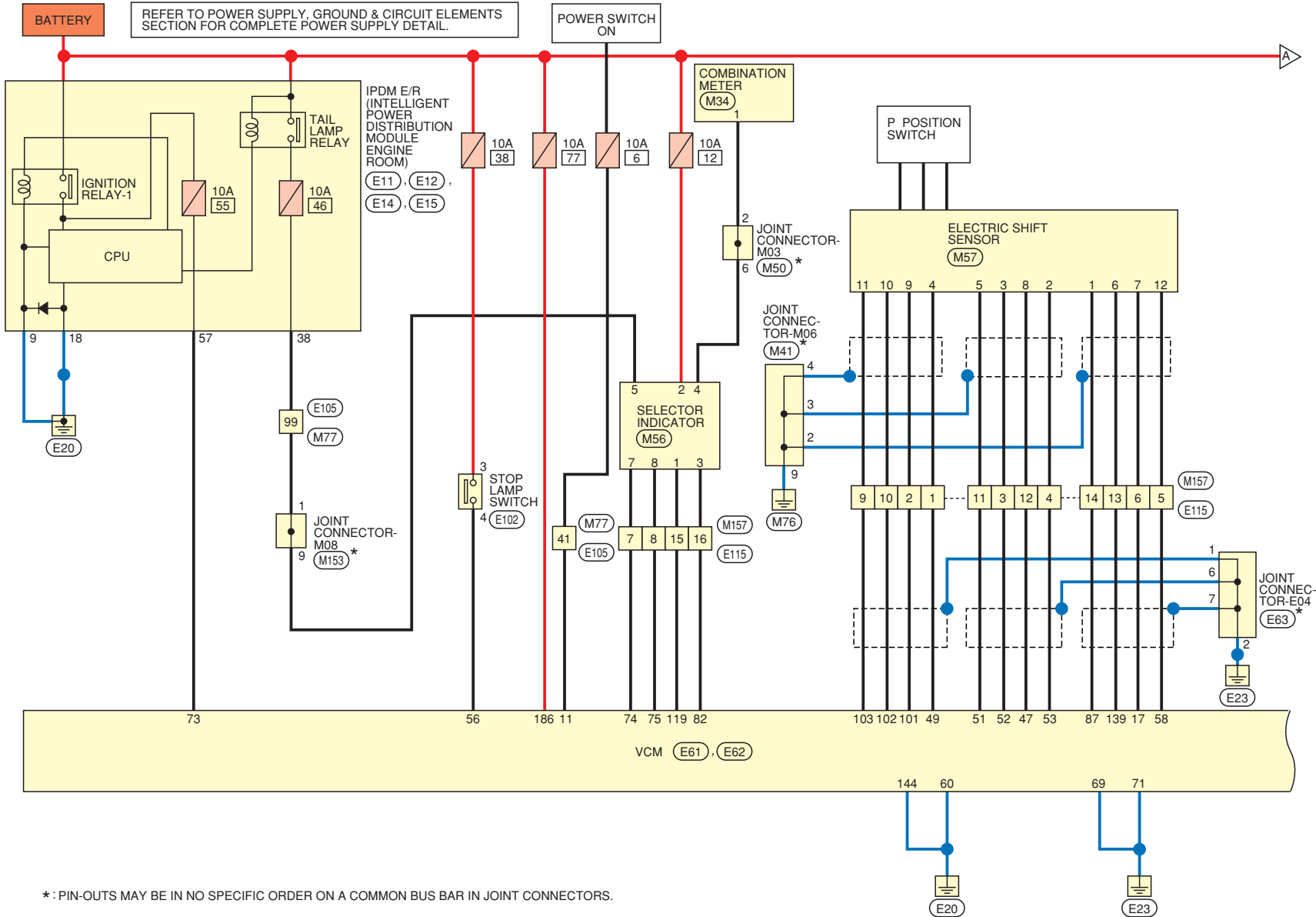
◁QC▷ : WITH QUICK CHARGE PORT

◁H1▷ : WITH HEAT PUMP

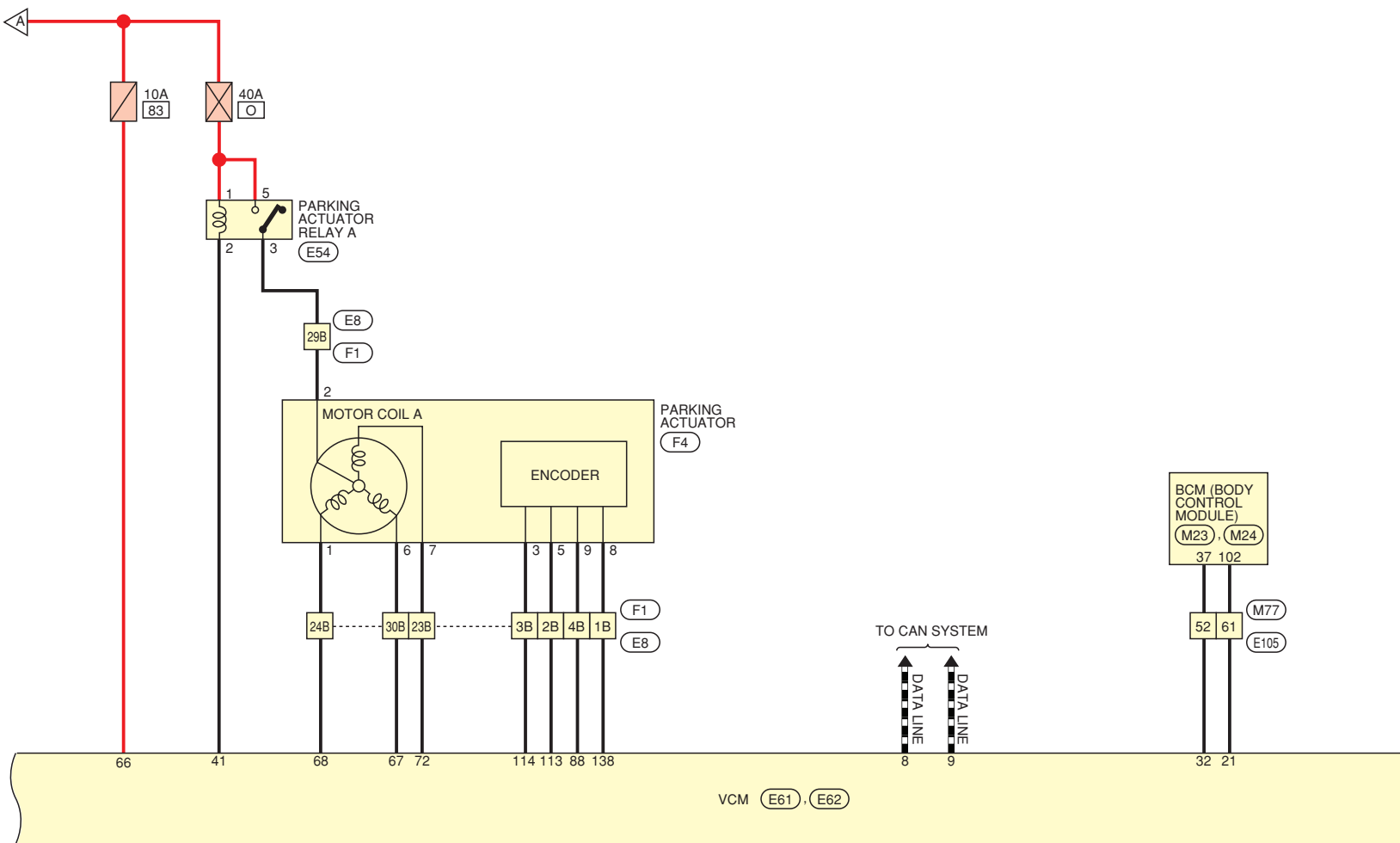
◁H12▷ : WITHOUT HEAT PUMP



ELECTRIC SHIFT SYSTEM



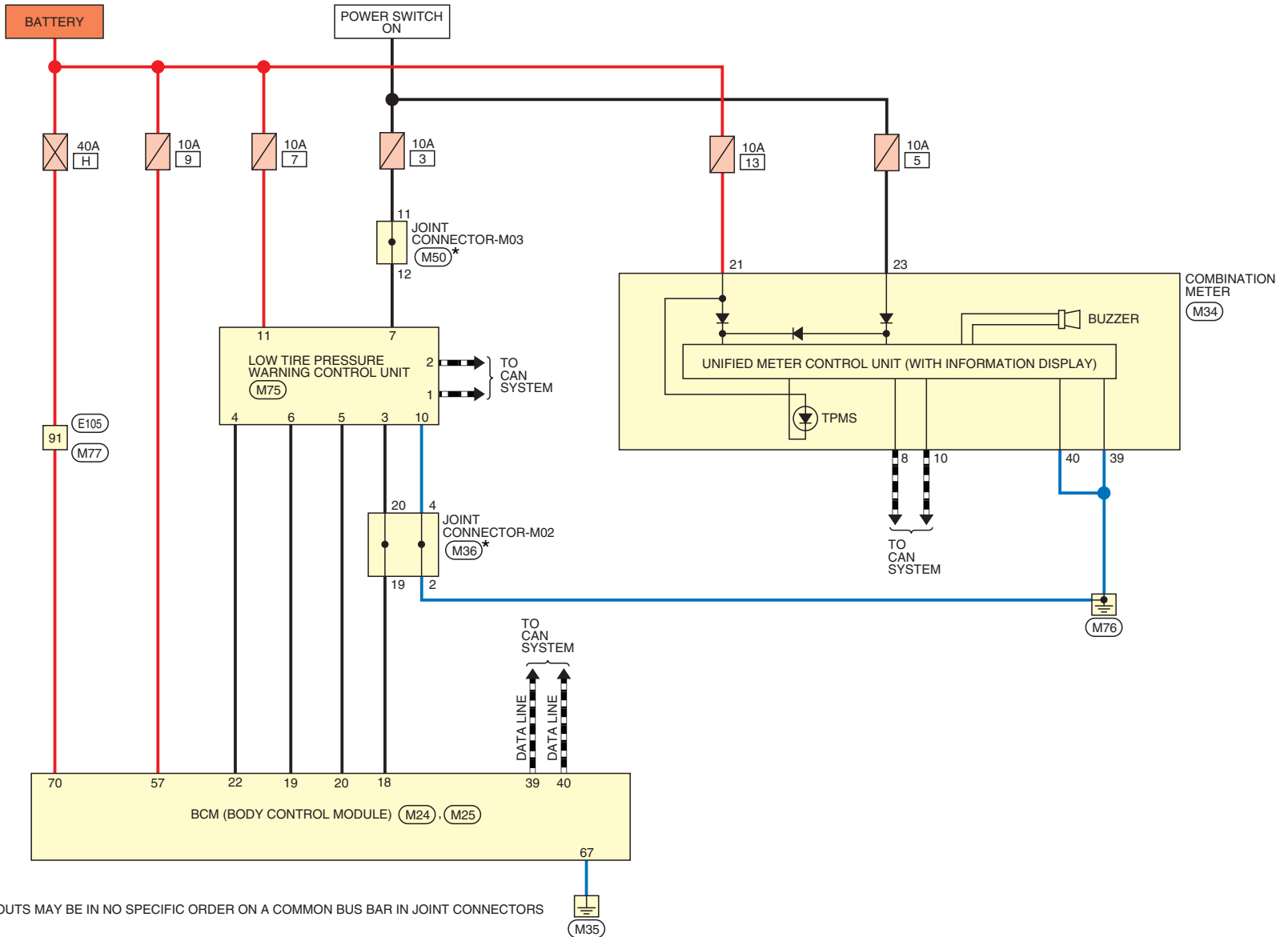
* : PIN-OUTS MAY BE IN NO SPECIFIC ORDER ON A COMMON BUS BAR IN JOINT CONNECTORS.



TIRE PRESSURE MONITORING SYSTEM

▬▬▬ : CAN COMMUNICATION LINE FOR DIAGNOSIS

REFER TO POWER SUPPLY, GROUND & CIRCUIT ELEMENTS SECTION FOR COMPLETE POWER SUPPLY DETAIL.

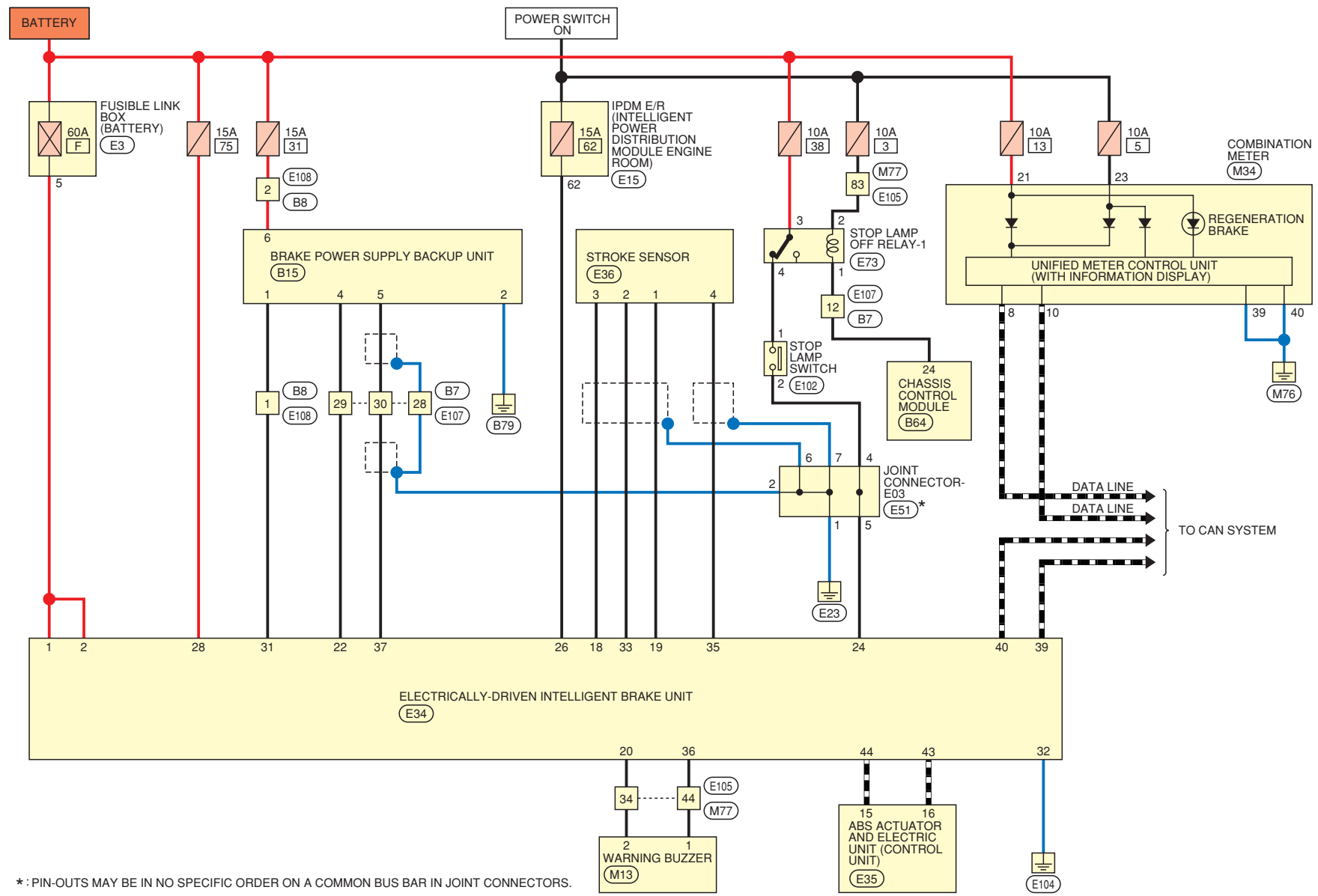


*: PIN-OUTS MAY BE IN NO SPECIFIC ORDER ON A COMMON BUS BAR IN JOINT CONNECTORS

BRAKE SYSTEM

--- : CAN COMMUNICATION LINE FOR DIAGNOSIS

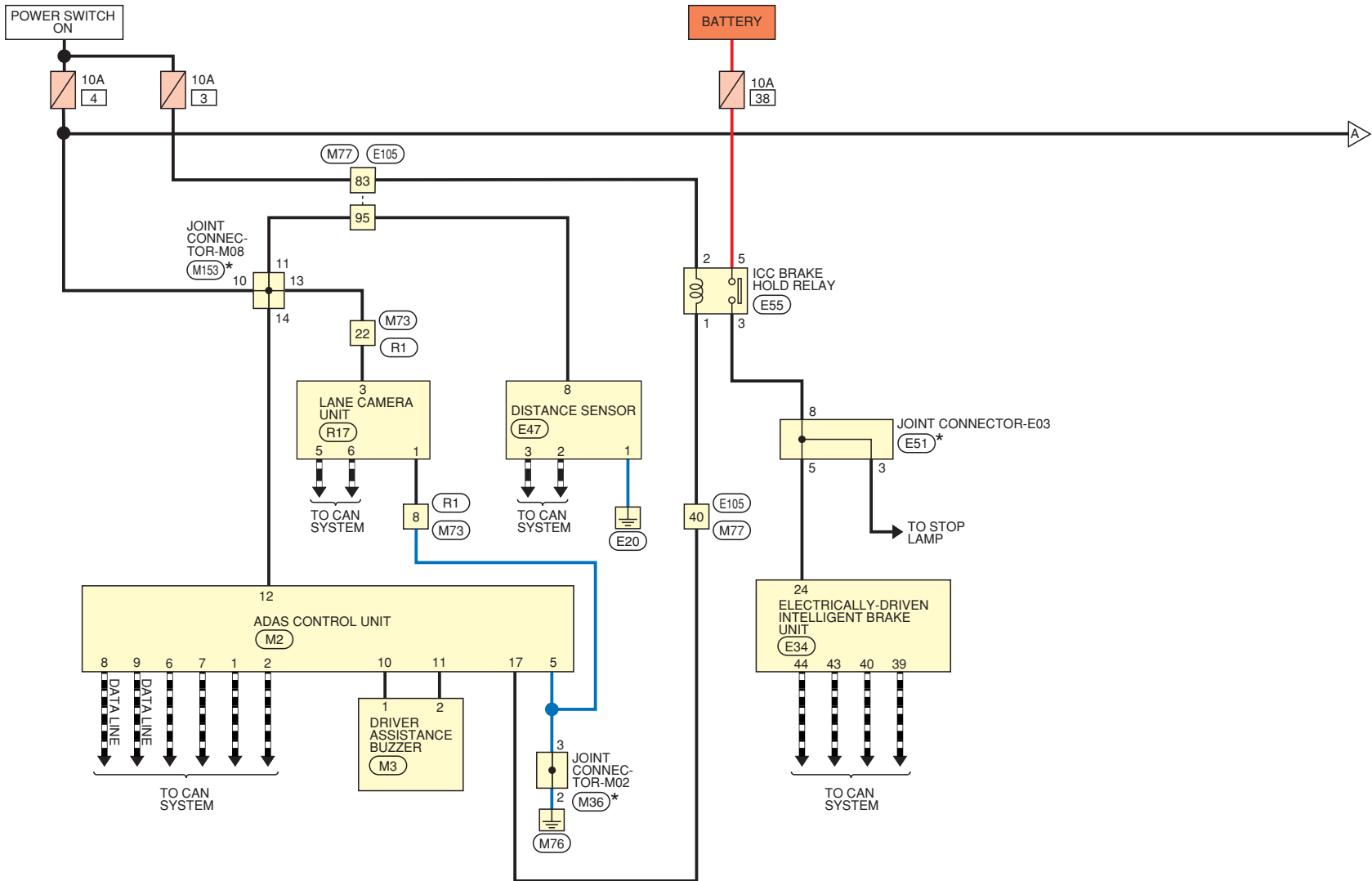
REFER TO POWER SUPPLY, GROUND & CIRCUIT ELEMENTS SECTION FOR COMPLETE POWER SUPPLY DETAIL.



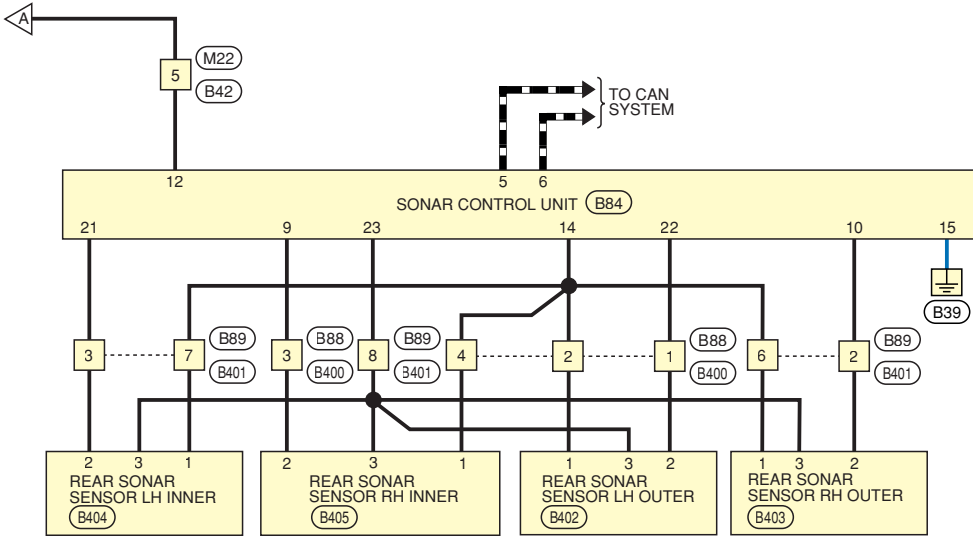
* : PIN-OUTS MAY BE IN NO SPECIFIC ORDER ON A COMMON BUS BAR IN JOINT CONNECTORS.

AUTOMATIC EMERGENCY BRAKING AND REAR AUTOMATIC BRAKING SYSTEM

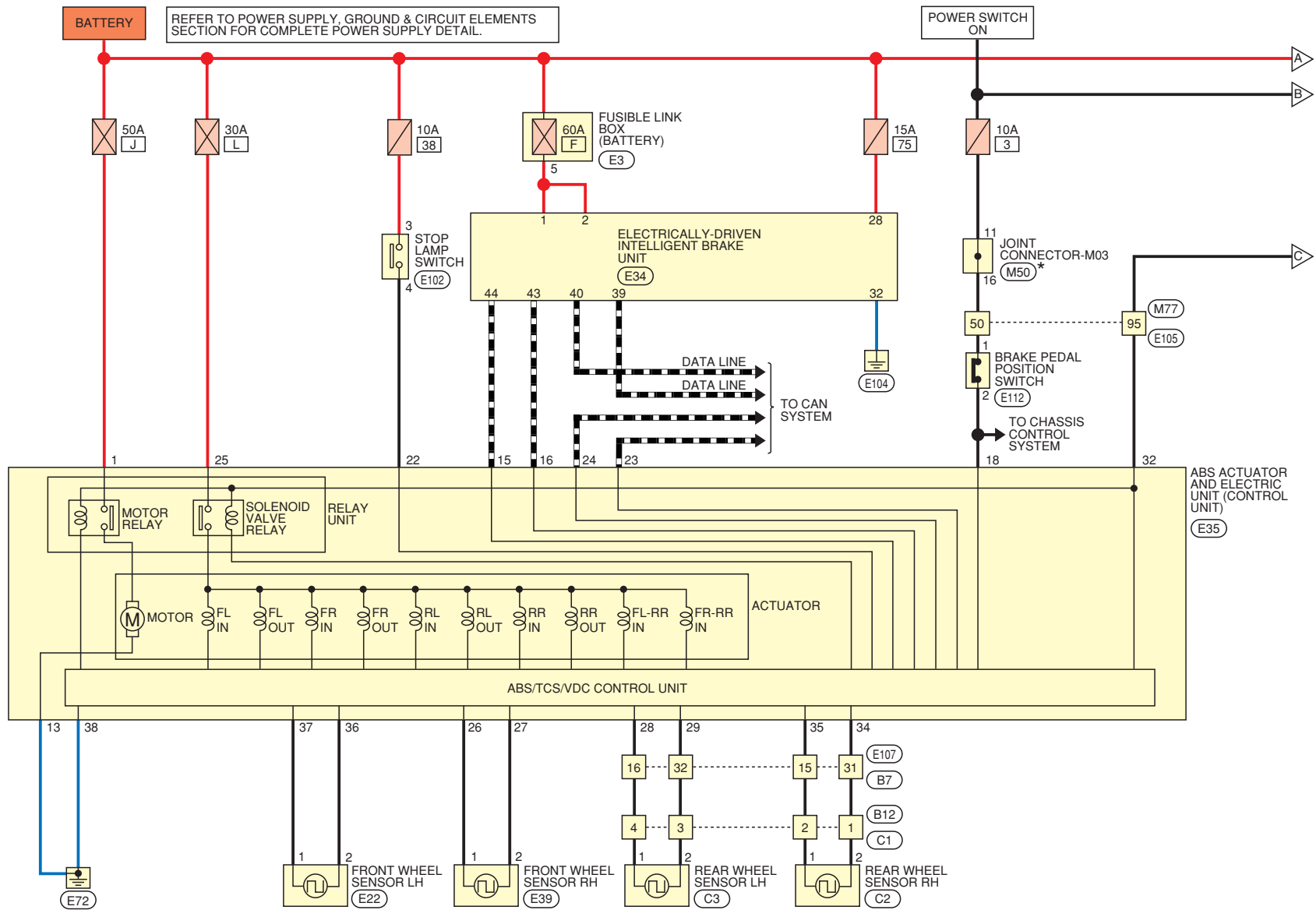
REFER TO POWER SUPPLY, GROUND & CIRCUIT ELEMENTS SECTION FOR COMPLETE POWER SUPPLY DETAIL.



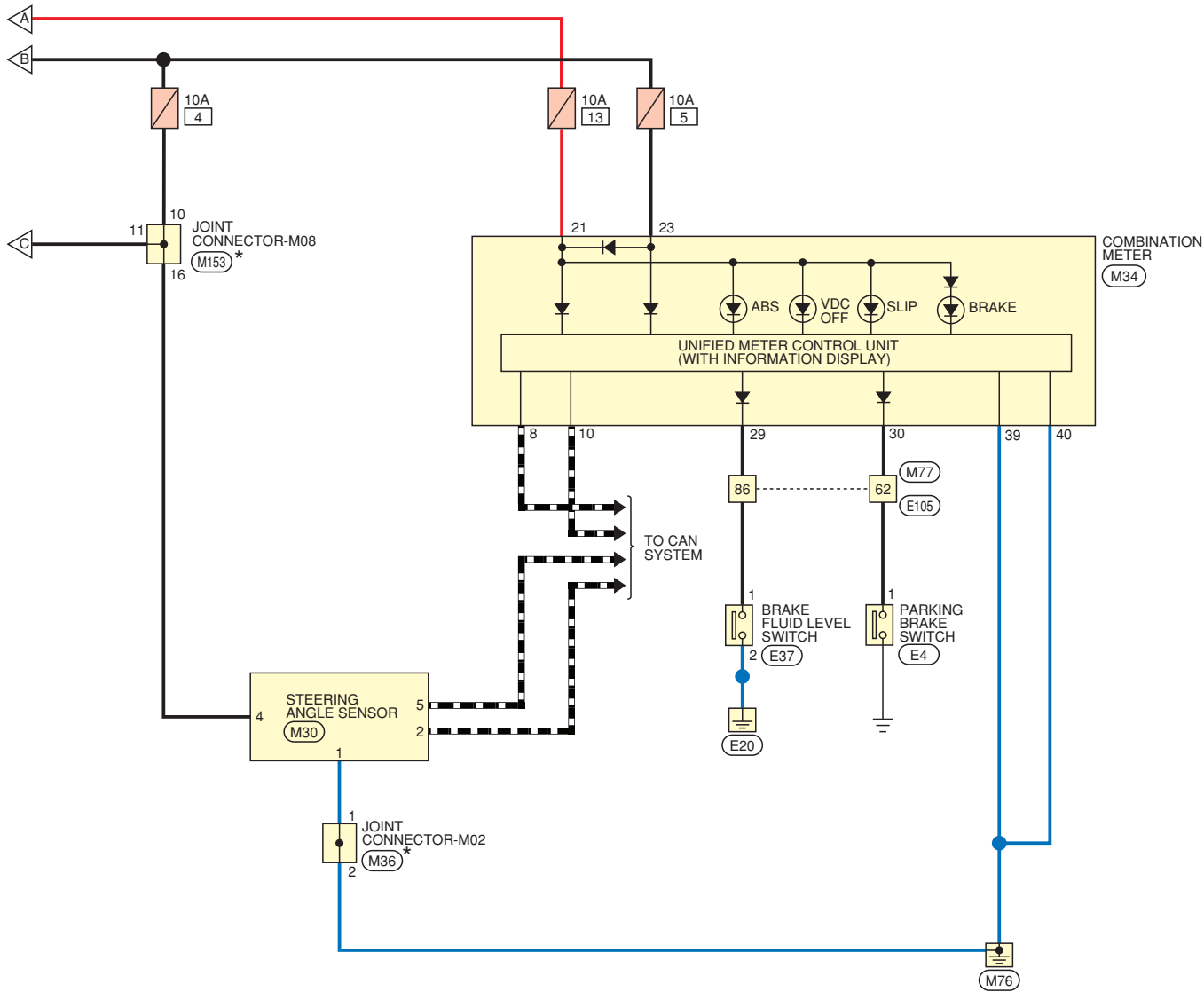
*:PIN-OUTS MAY BE IN NO SPECIFIC ORDER ON A COMMON BUS BAR IN JOINT CONNECTORS.



BRAKE CONTROL SYSTEM



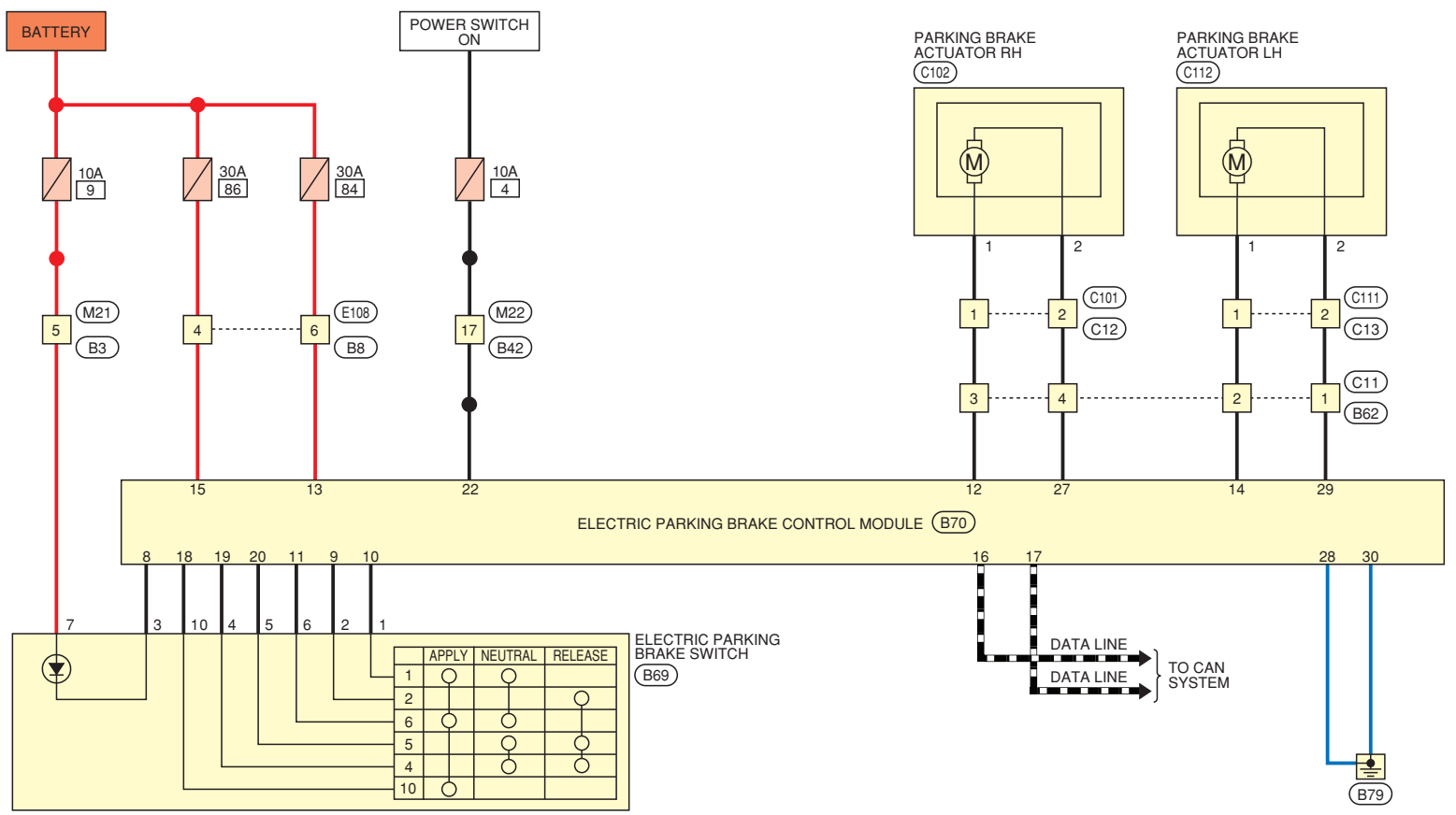
* : PIN-OUTS MAY BE IN NO SPECIFIC ORDER ON A COMMON BUS BAR IN JOINT CONNECTORS.



ELECTRIC PARKING BRAKE SYSTEM

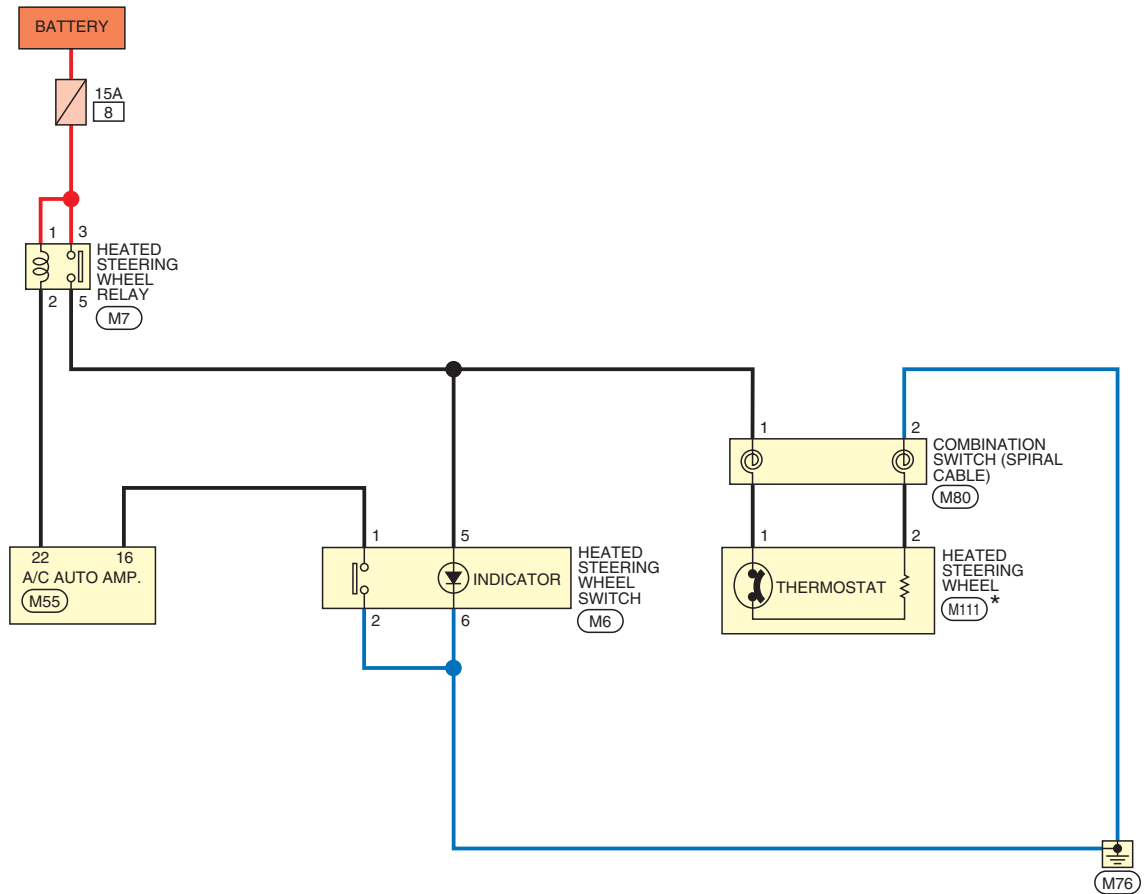
▬ : CAN COMMUNICATION LINE FOR DIAGNOSIS

REFER TO POWER SUPPLY, GROUND & CIRCUIT ELEMENTS SECTION FOR COMPLETE POWER SUPPLY DETAIL.



HEATED STEERING WHEEL

REFER TO POWER SUPPLY, GROUND & CIRCUIT ELEMENTS SECTION FOR COMPLETE POWER SUPPLY DETAIL.

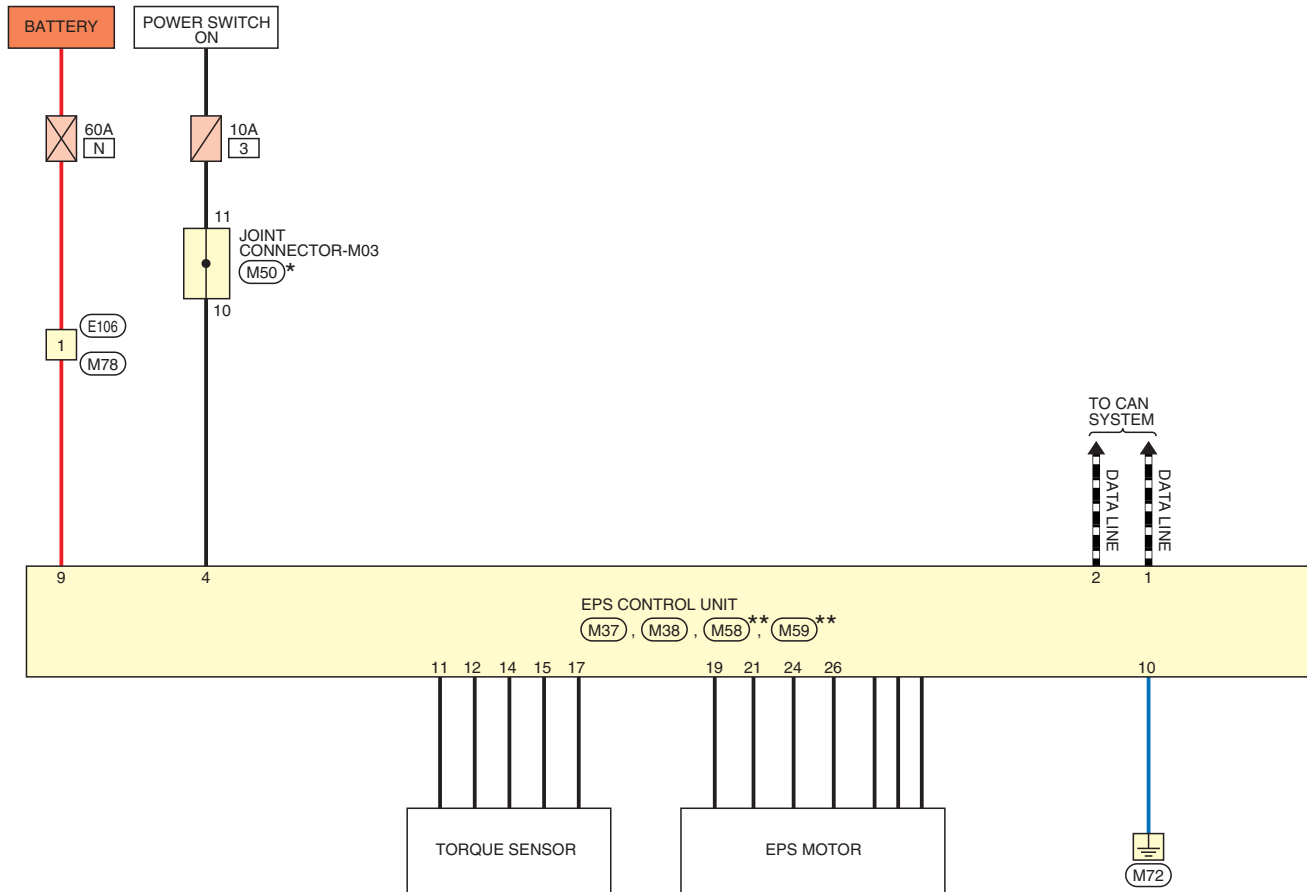


*: THIS CONNECTOR IS NOT SHOWN IN "HARNES LAYOUT" OF PG SECTION

ELECTRONICALLY CONTROLLED POWER STEERING SYSTEM

▬ : CAN COMMUNICATION LINE FOR DIAGNOSIS

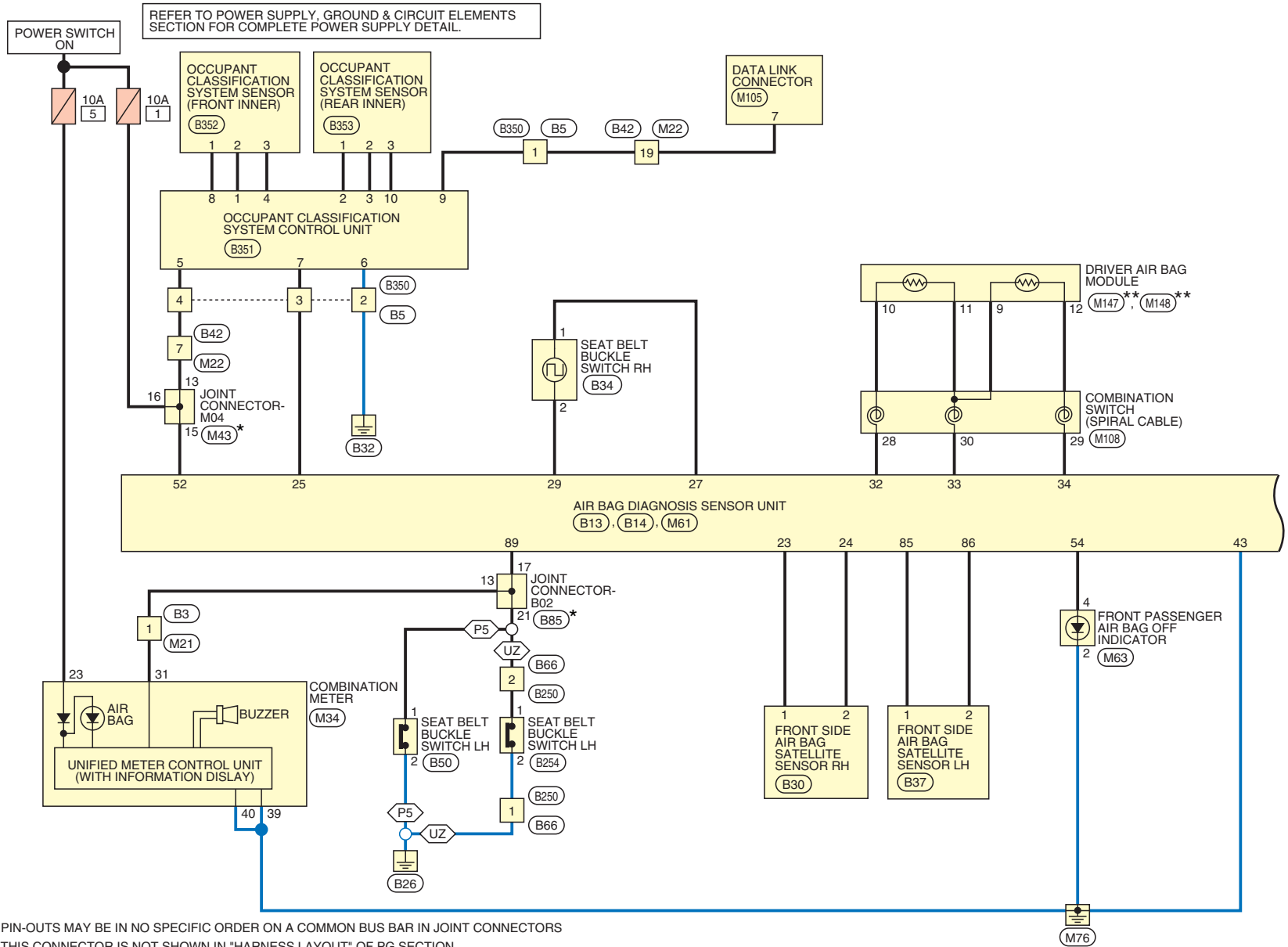
REFER TO POWER SUPPLY, GROUND & CIRCUIT ELEMENTS SECTION FOR COMPLETE POWER SUPPLY DETAIL.



*: PIN-OUTS MAY BE IN NO SPECIFIC ORDER ON A COMMON BUS BAR IN JOINT CONNECTORS

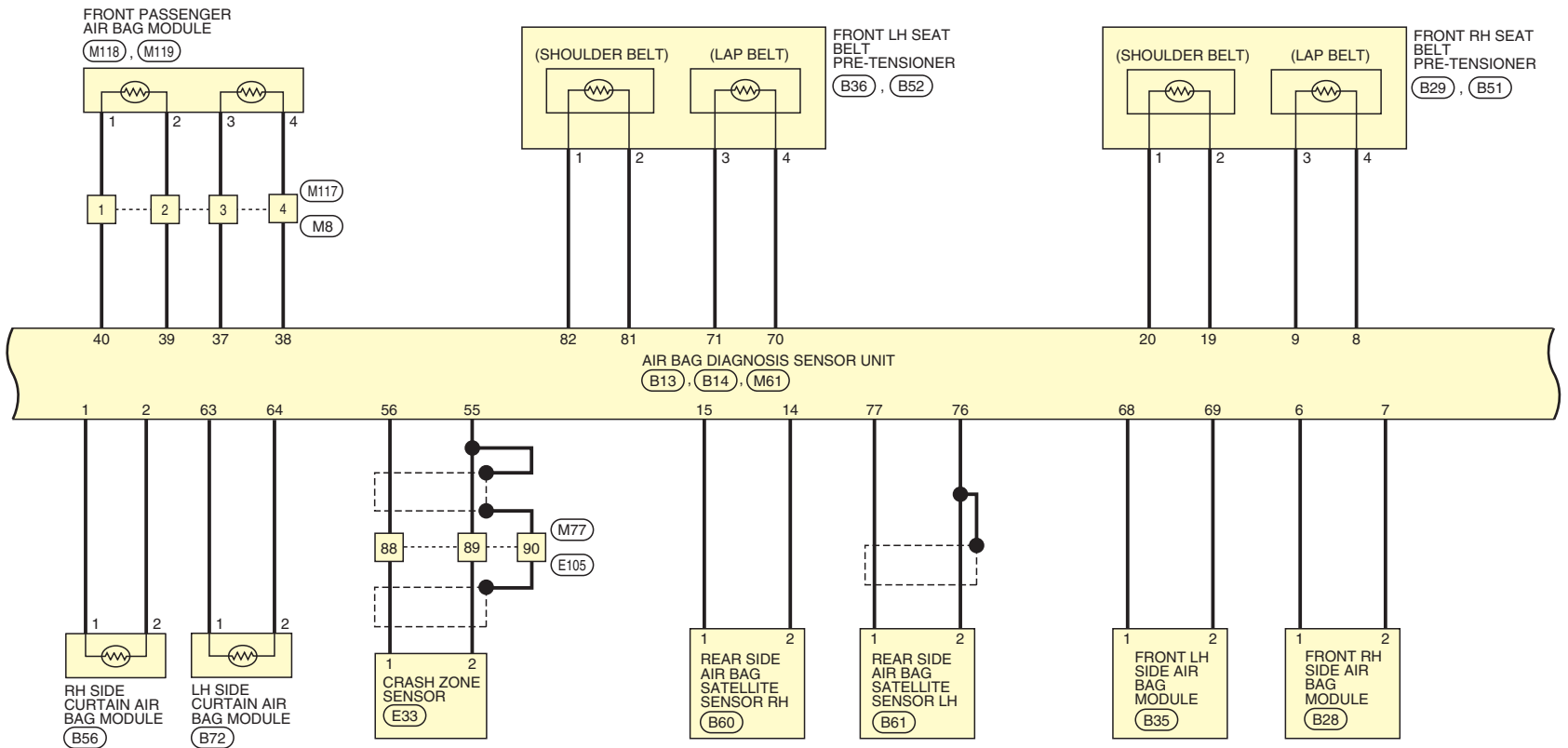
** : THIS CONNECTOR IS NOT SHOWN IN "HARNESS LAYOUT" OF PG SECTION

SRS AIR BAG CONTROL SYSTEM



*: PIN-OUTS MAY BE IN NO SPECIFIC ORDER ON A COMMON BUS BAR IN JOINT CONNECTORS

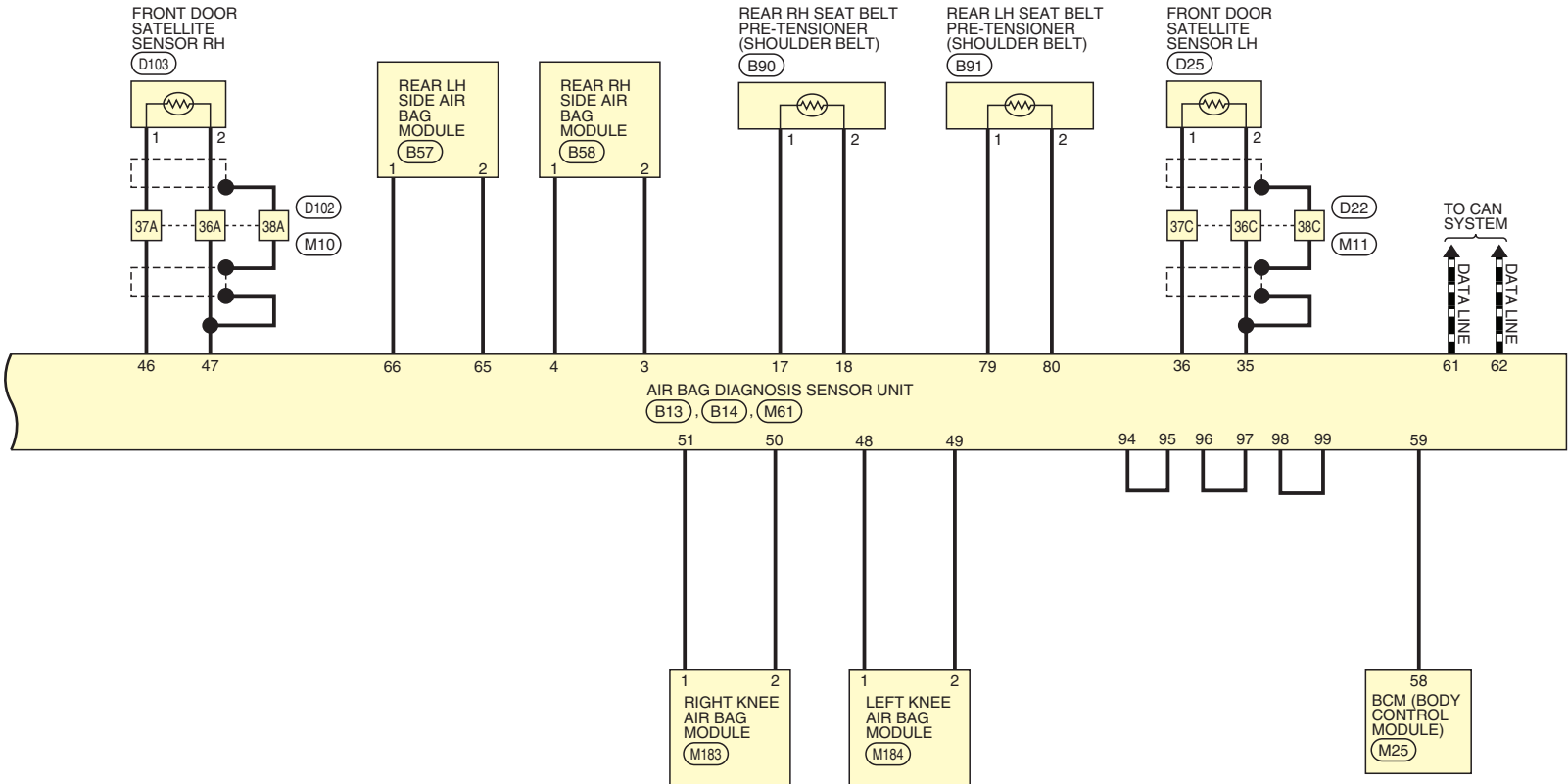
** : THIS CONNECTOR IS NOT SHOWN IN "HARNESS LAYOUT" OF PG SECTION.



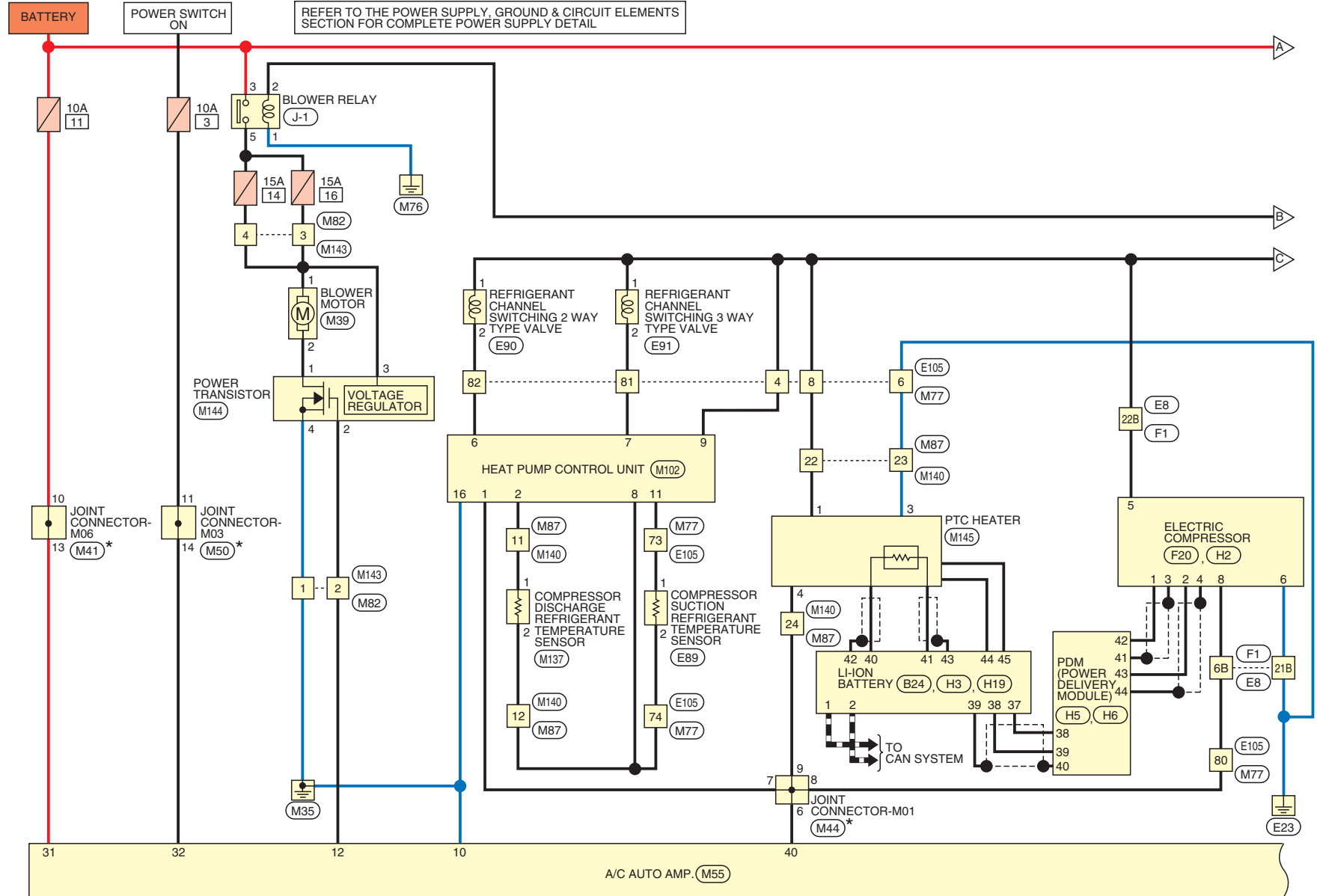
■ : CAN COMMUNICATION LINE FOR DIAGNOSIS

◇P5◇ : WITHOUT DRIVER POWER SEAT

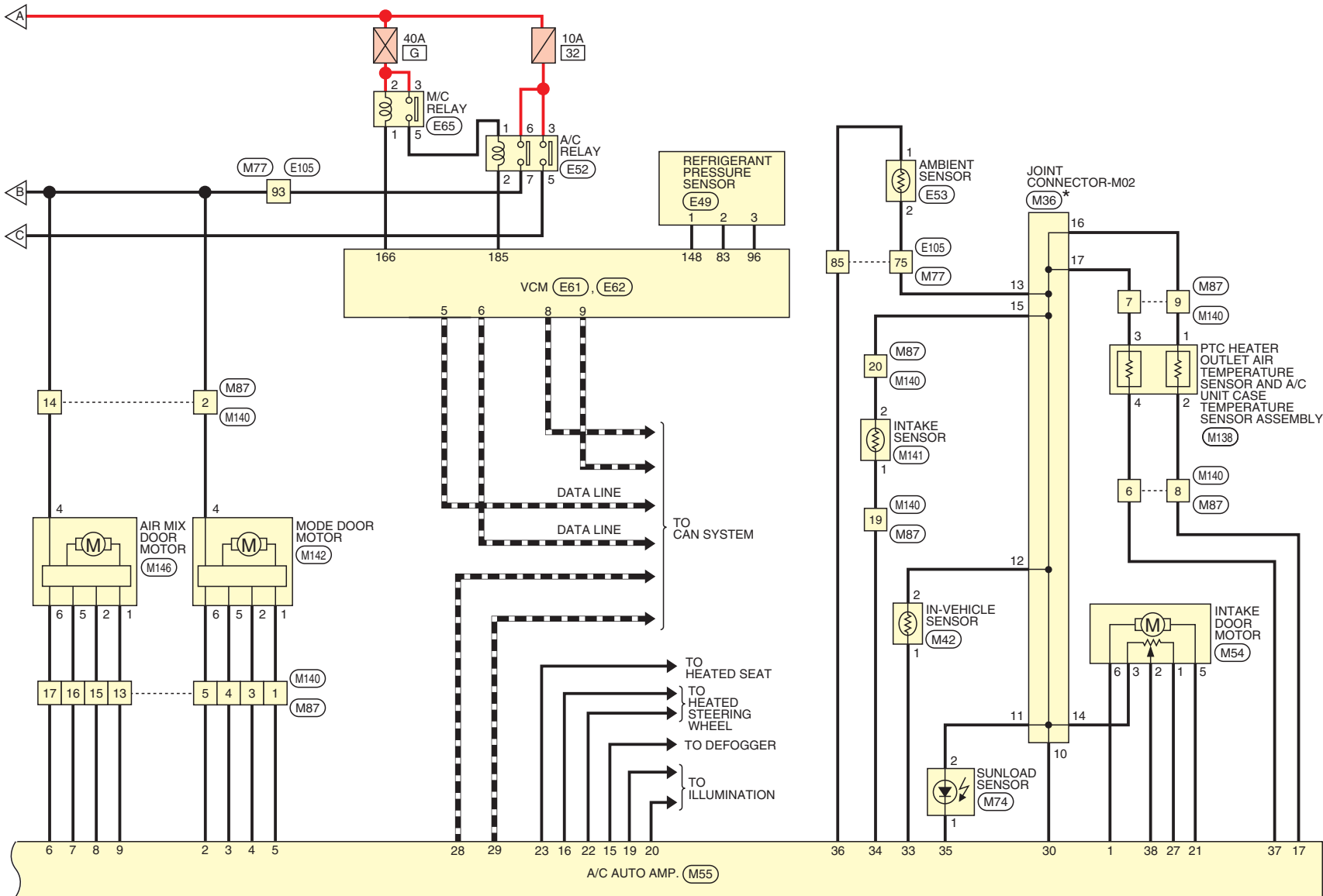
◇UZ◇ : WITH DRIVER POWER SEAT



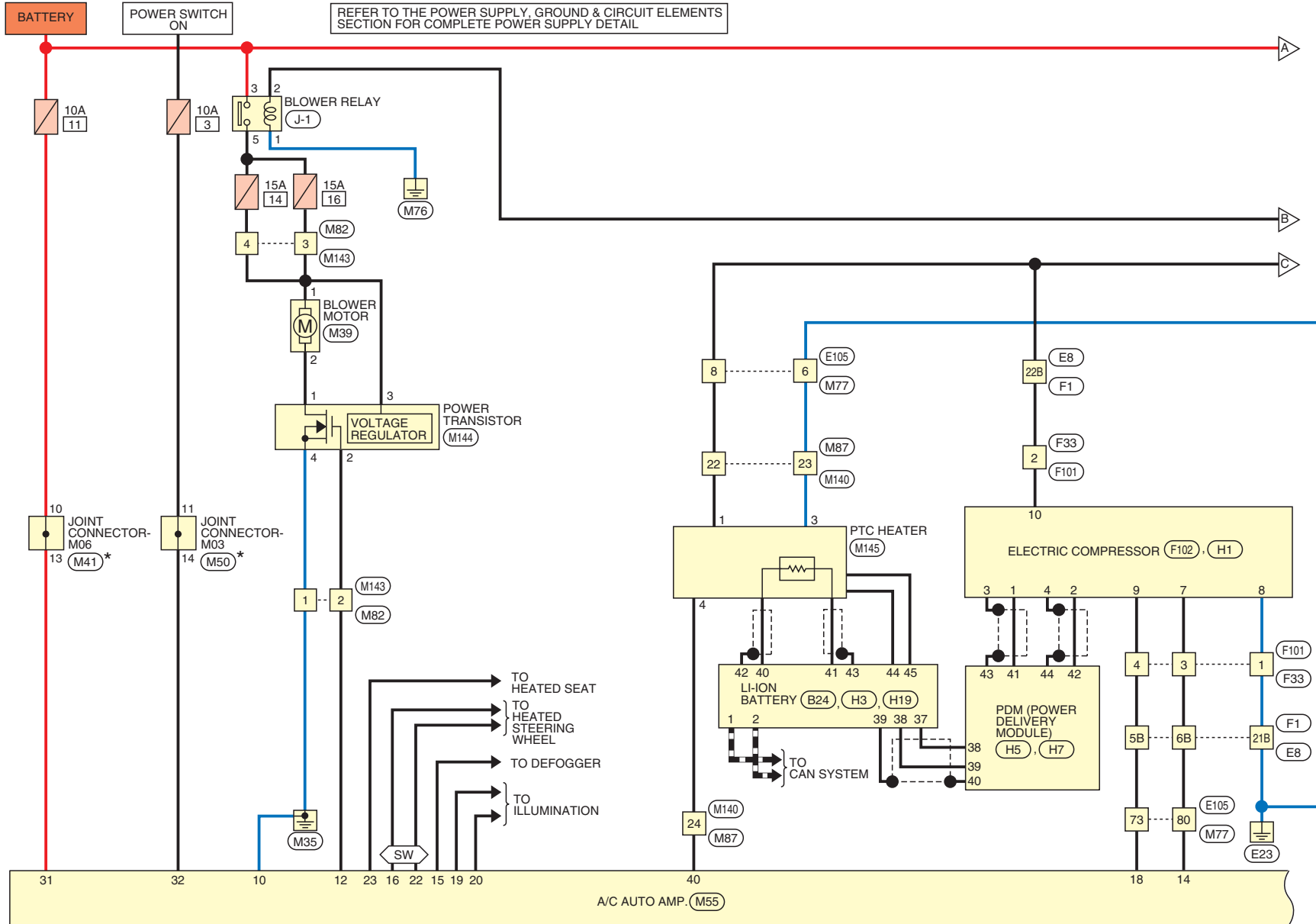
AUTOMATIC AIR CONDITIONING SYSTEM - WITH HEAT PUMP



*: PIN-OUTS MAY BE IN NO SPECIFIC ORDER ON A COMMON BUS BAR IN JOINT CONNECTORS.

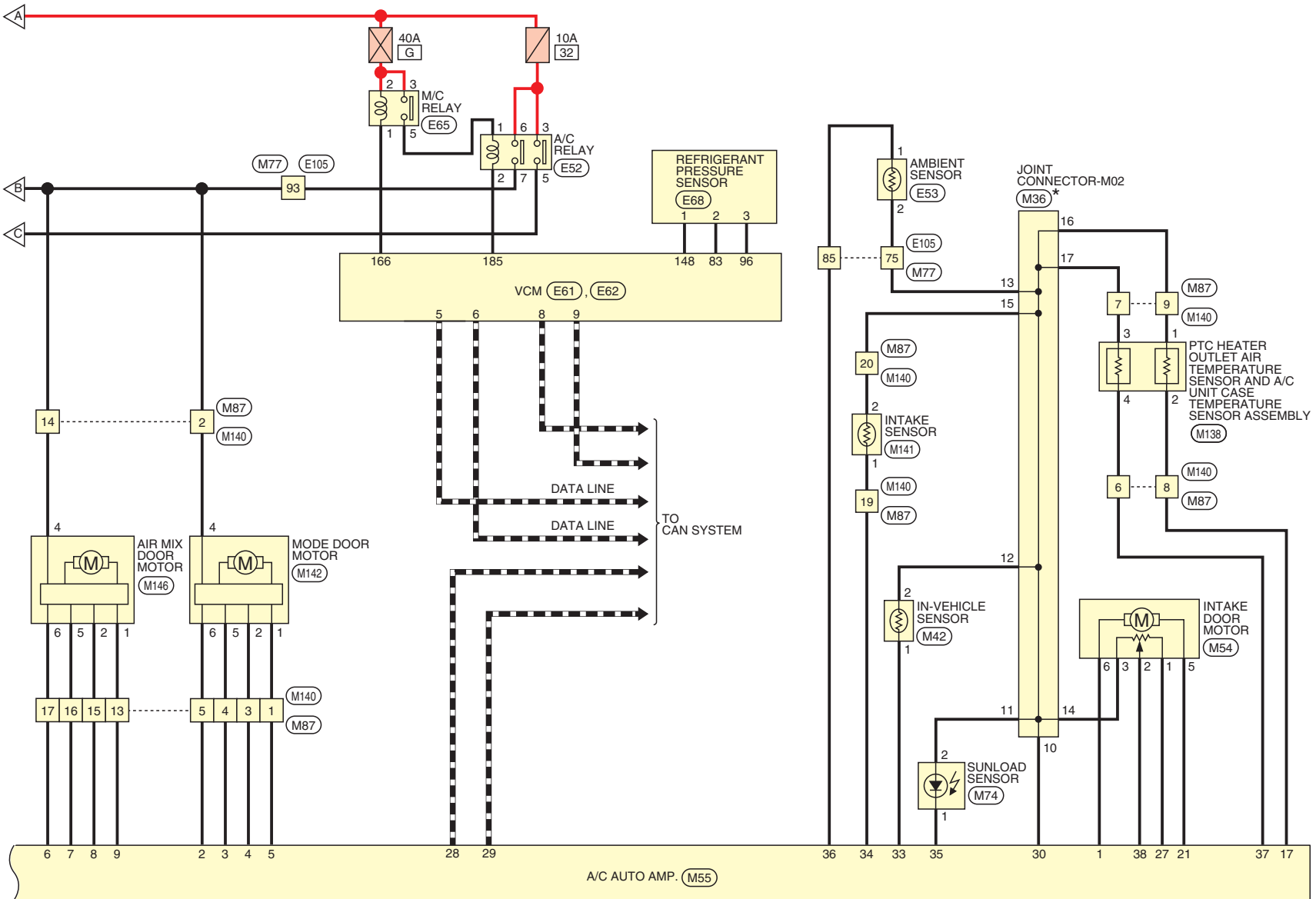


AUTOMATIC AIR CONDITIONING SYSTEM - WITHOUT HEAT PUMP



REFER TO THE POWER SUPPLY, GROUND & CIRCUIT ELEMENTS SECTION FOR COMPLETE POWER SUPPLY DETAIL

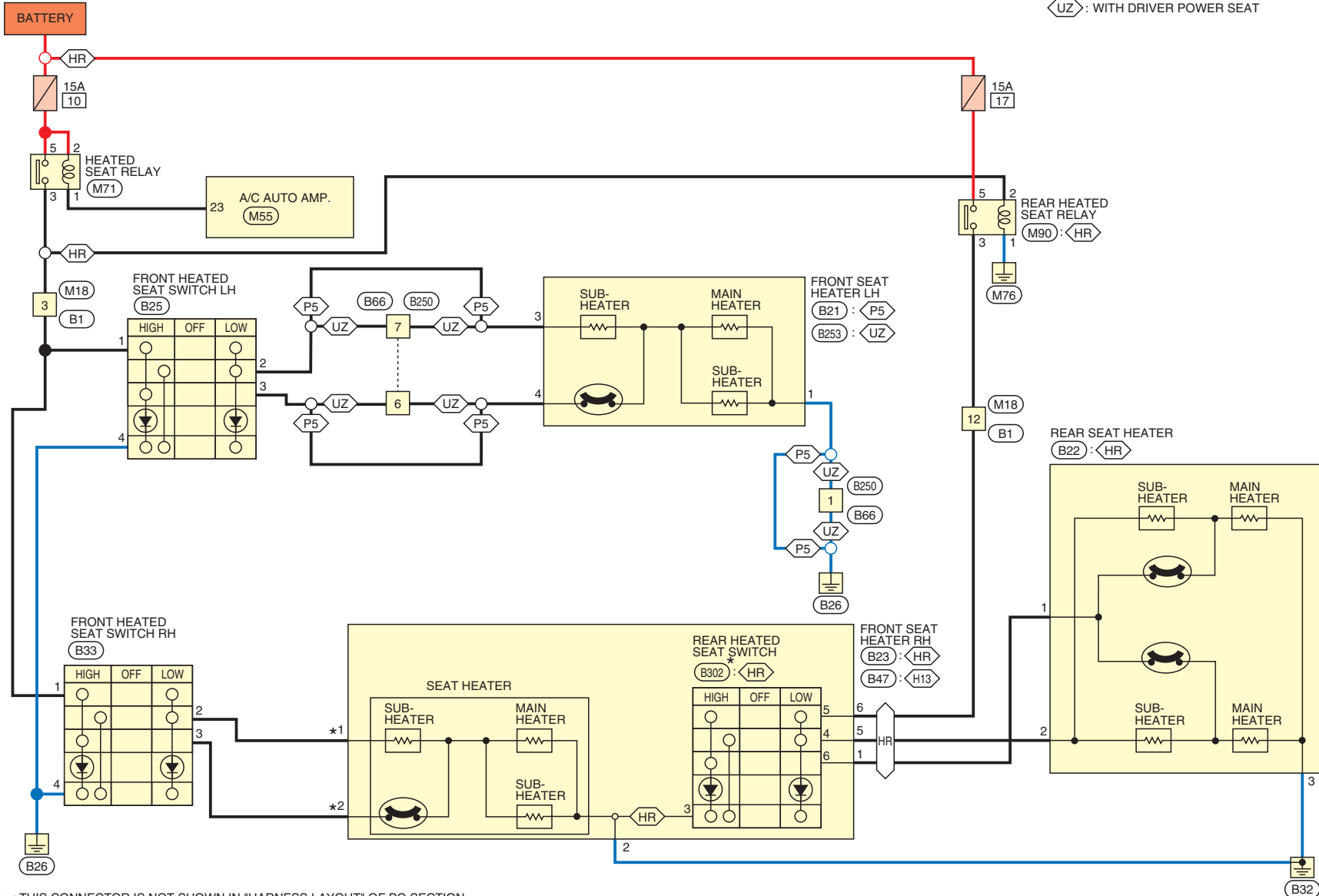
*: PIN-OUTS MAY BE IN NO SPECIFIC ORDER ON A COMMON BUS BAR IN JOINT CONNECTORS.



HEATED SEAT

REFER TO POWER SUPPLY, GROUND & CIRCUIT ELEMENTS SECTION FOR COMPLETE POWER SUPPLY DETAIL.

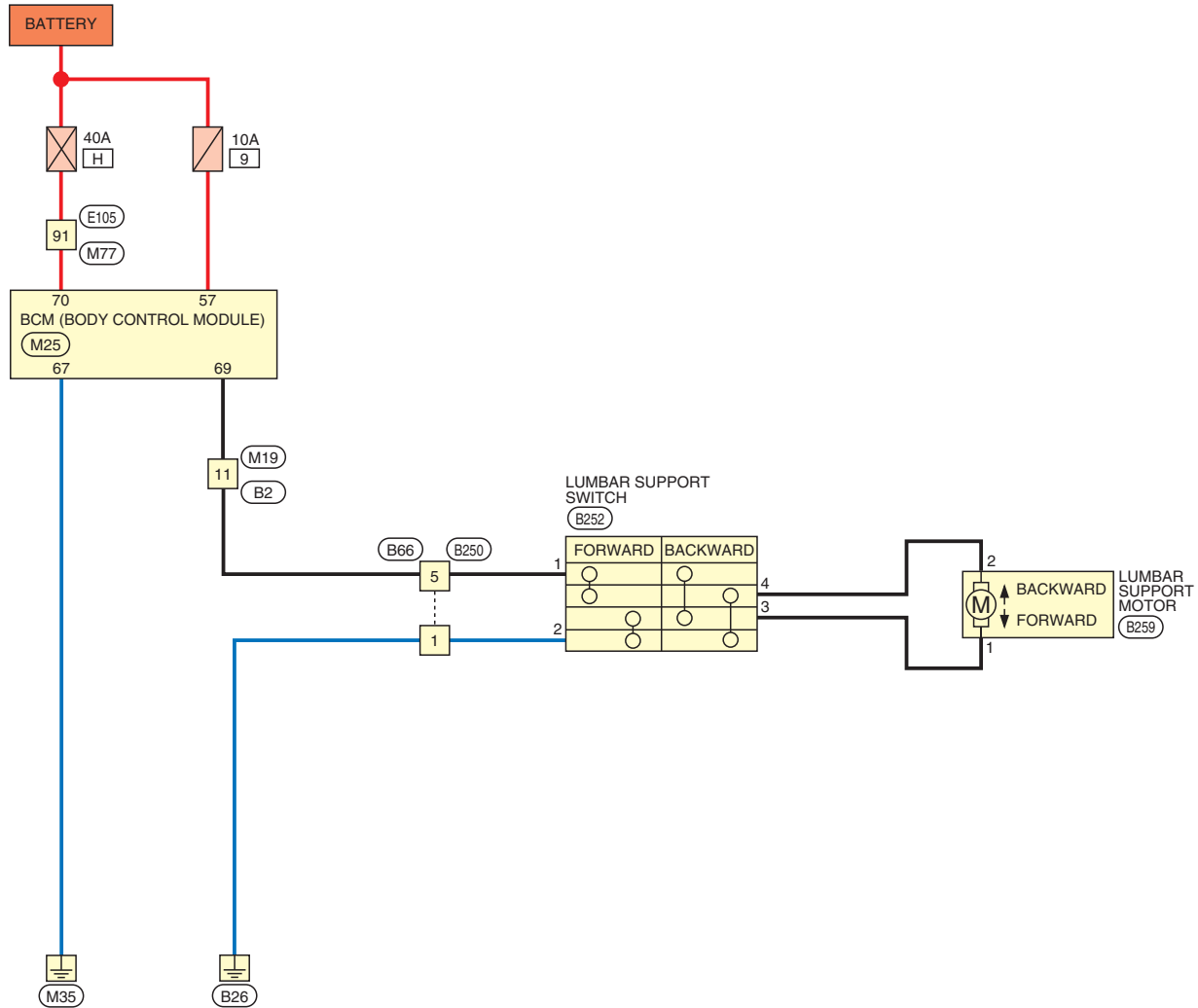
- *1 \langle H13 \rangle : 8 \langle H13 \rangle : 1
- \langle HR \rangle : 4 \langle HR \rangle : 3
- \langle H13 \rangle : WITHOUT REAR HEATED SEATS
- \langle HR \rangle : WITH REAR HEATED SEATS
- \langle P5 \rangle : WITHOUT DRIVER POWER SEAT
- \langle UZ \rangle : WITH DRIVER POWER SEAT



* : THIS CONNECTOR IS NOT SHOWN IN "HARNESS LAYOUT" OF PG SECTION.

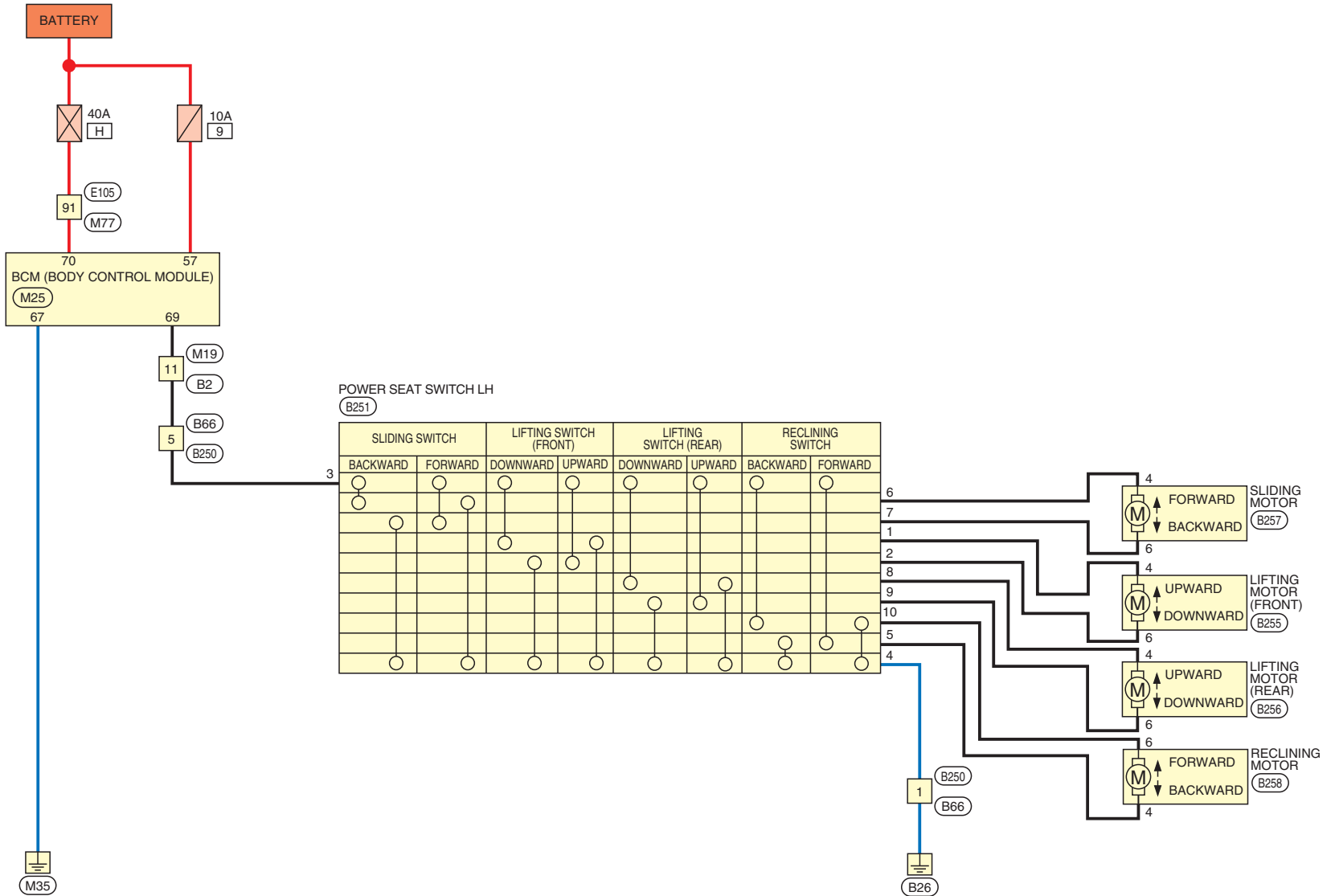
LUMBAR SUPPORT SYSTEM

REFER TO POWER SUPPLY, GROUND & CIRCUIT ELEMENTS SECTION FOR COMPLETE POWER SUPPLY DETAIL.

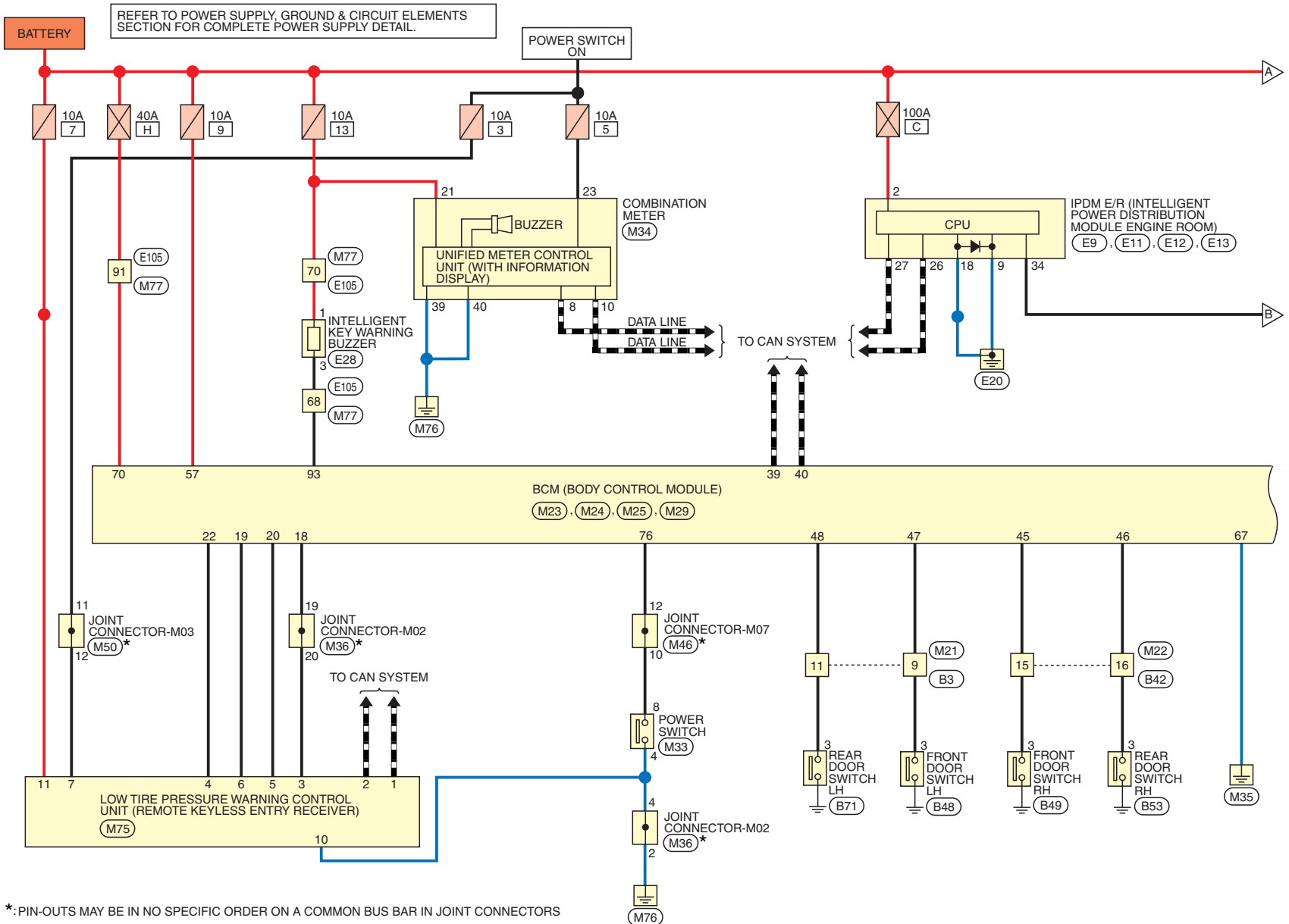


POWER SEAT FOR DRIVER SIDE

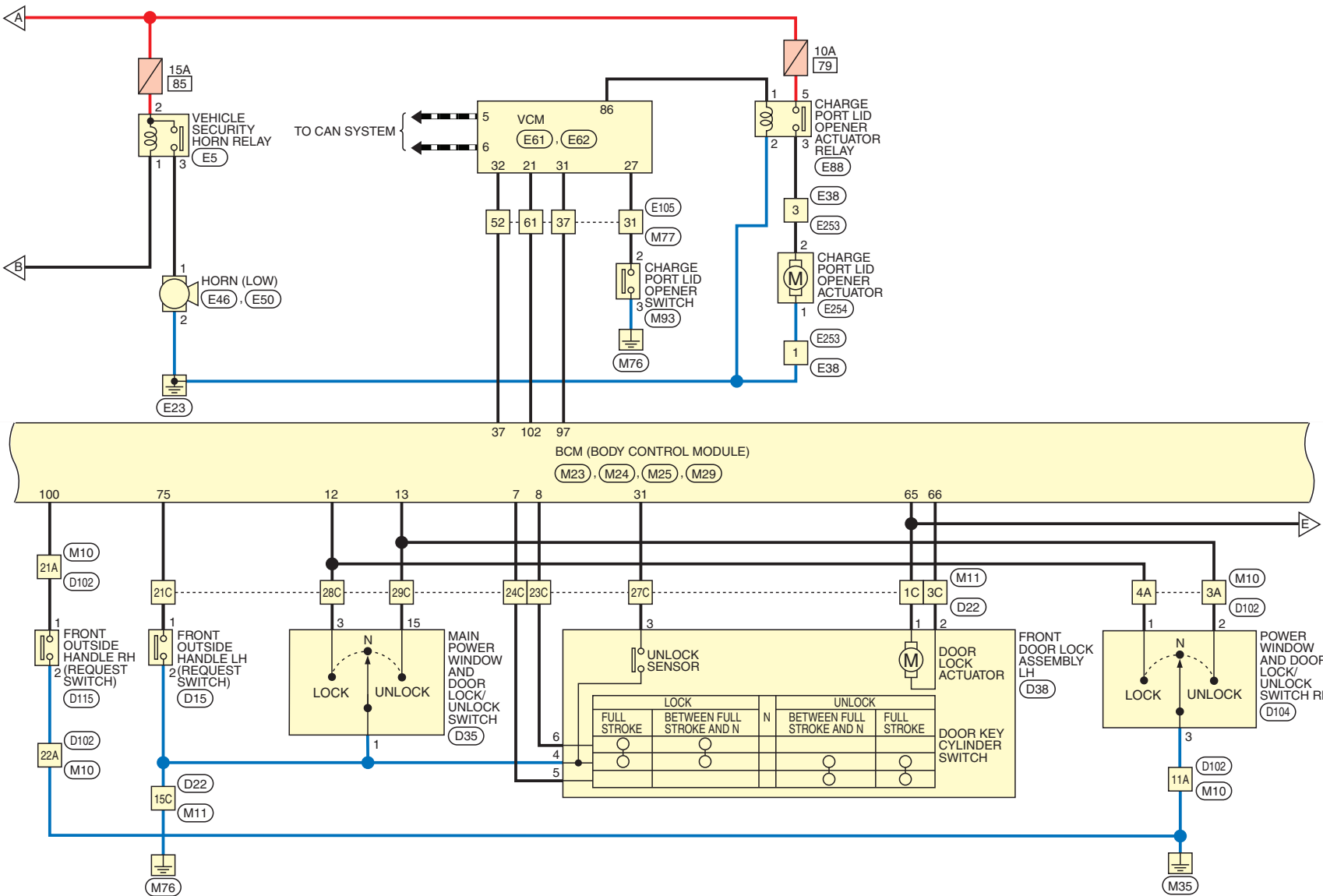
REFER TO POWER SUPPLY, GROUND & CIRCUIT ELEMENTS SECTION FOR COMPLETE POWER SUPPLY DETAIL.



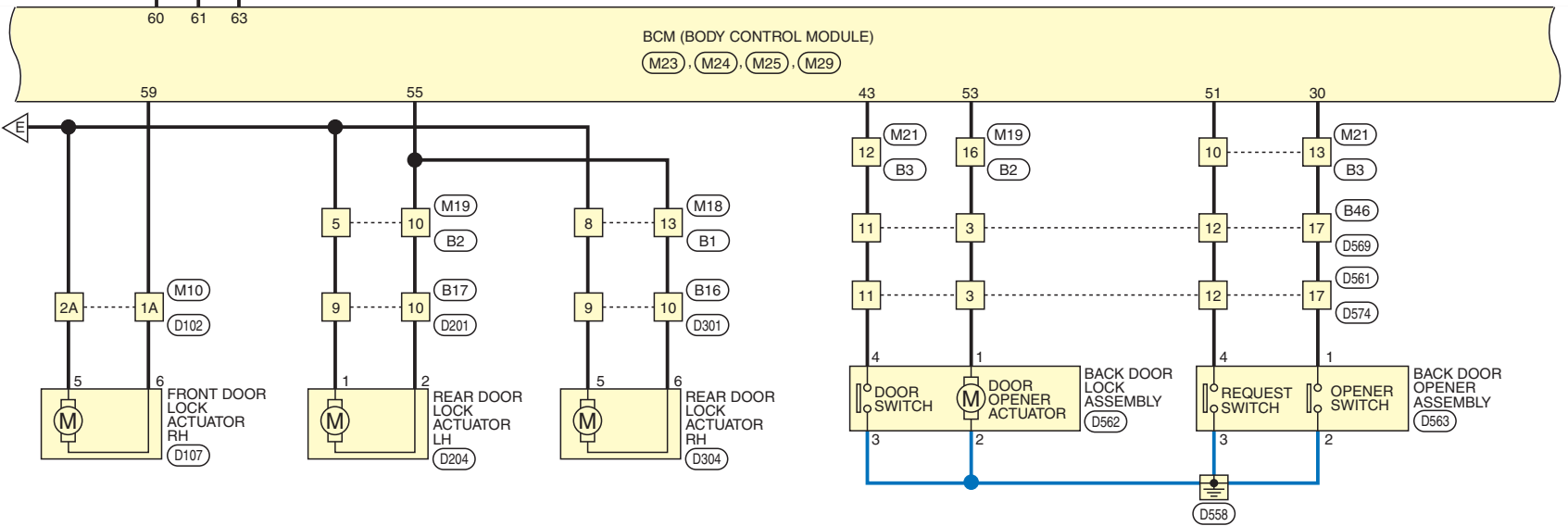
DOOR LOCK SYSTEM

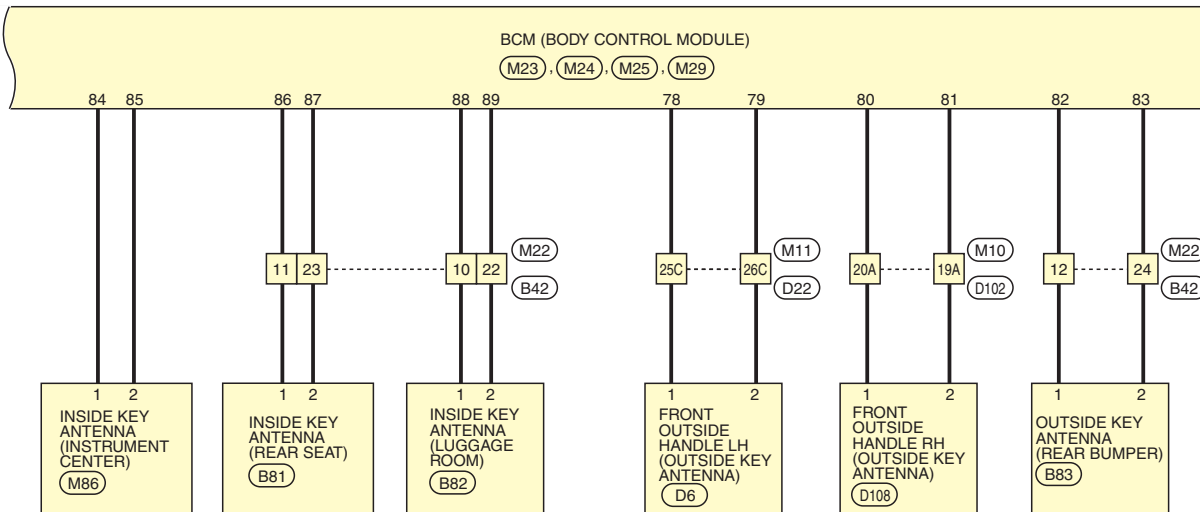


*: PIN-OUTS MAY BE IN NO SPECIFIC ORDER ON A COMMON BUS BAR IN JOINT CONNECTORS



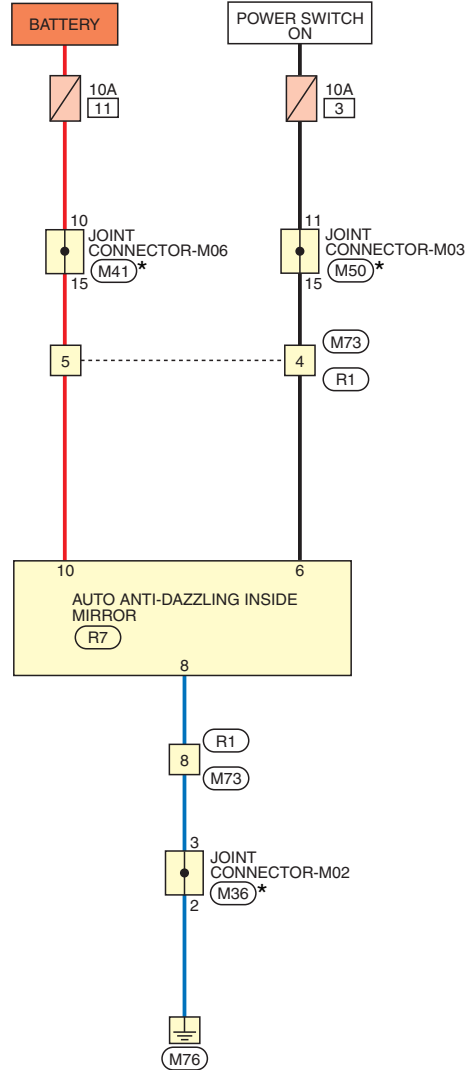
TO TURN SIGNAL AND HAZARD WARNING LAMPS
 TO INTERIOR ROOM LAMP





HOMELINK® UNIVERSAL TRANSCEIVER

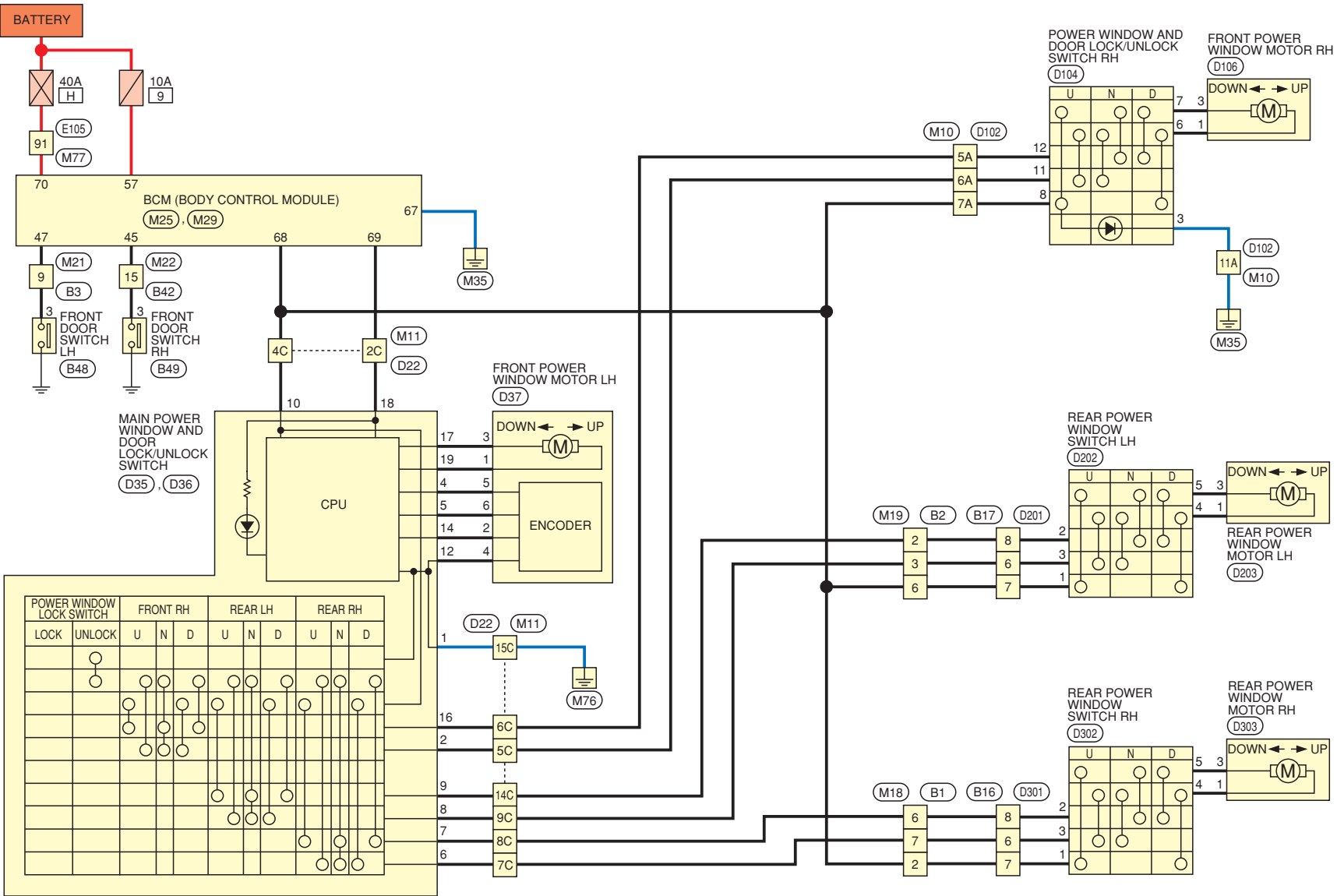
REFER TO POWER SUPPLY, GROUND & CIRCUIT ELEMENTS SECTION FOR COMPLETE POWER SUPPLY DETAIL.



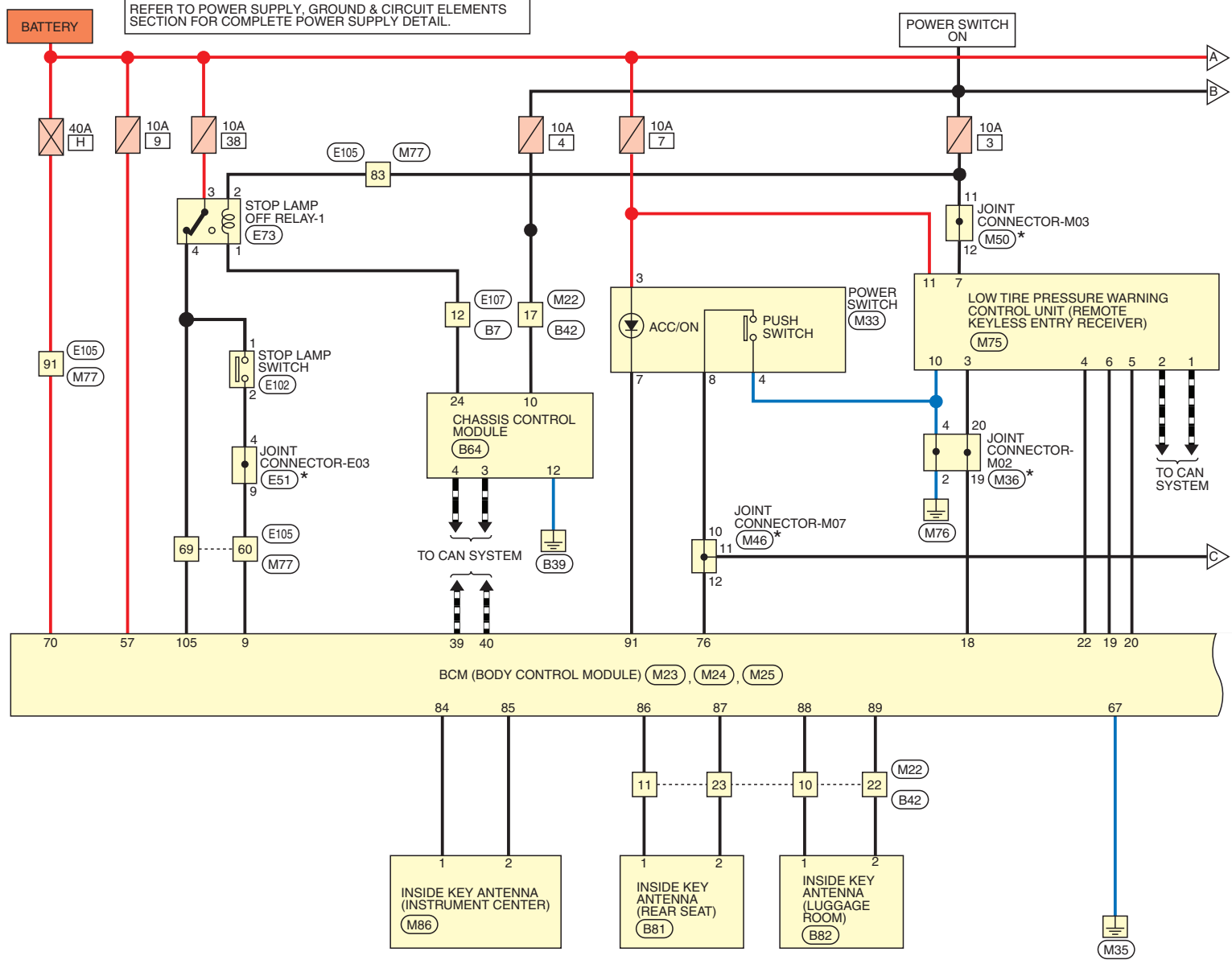
*: PIN-OUTS MAY BE IN NO SPECIFIC ORDER ON A COMMON BUS BAR IN JOINT CONNECTORS

POWER WINDOW SYSTEM

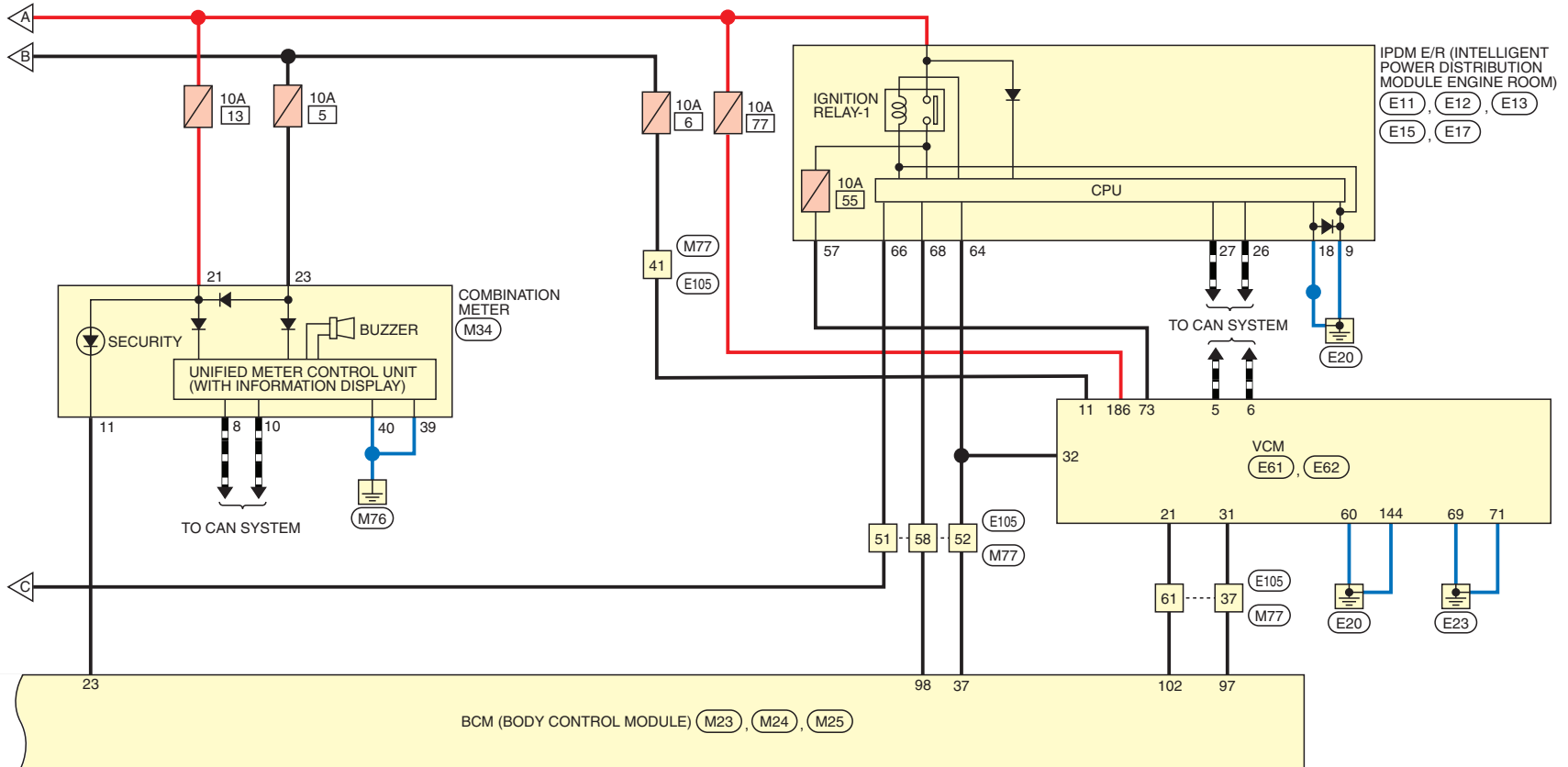
REFER TO POWER SUPPLY, GROUND & CIRCUIT ELEMENTS SECTION FOR COMPLETE POWER SUPPLY DETAIL.



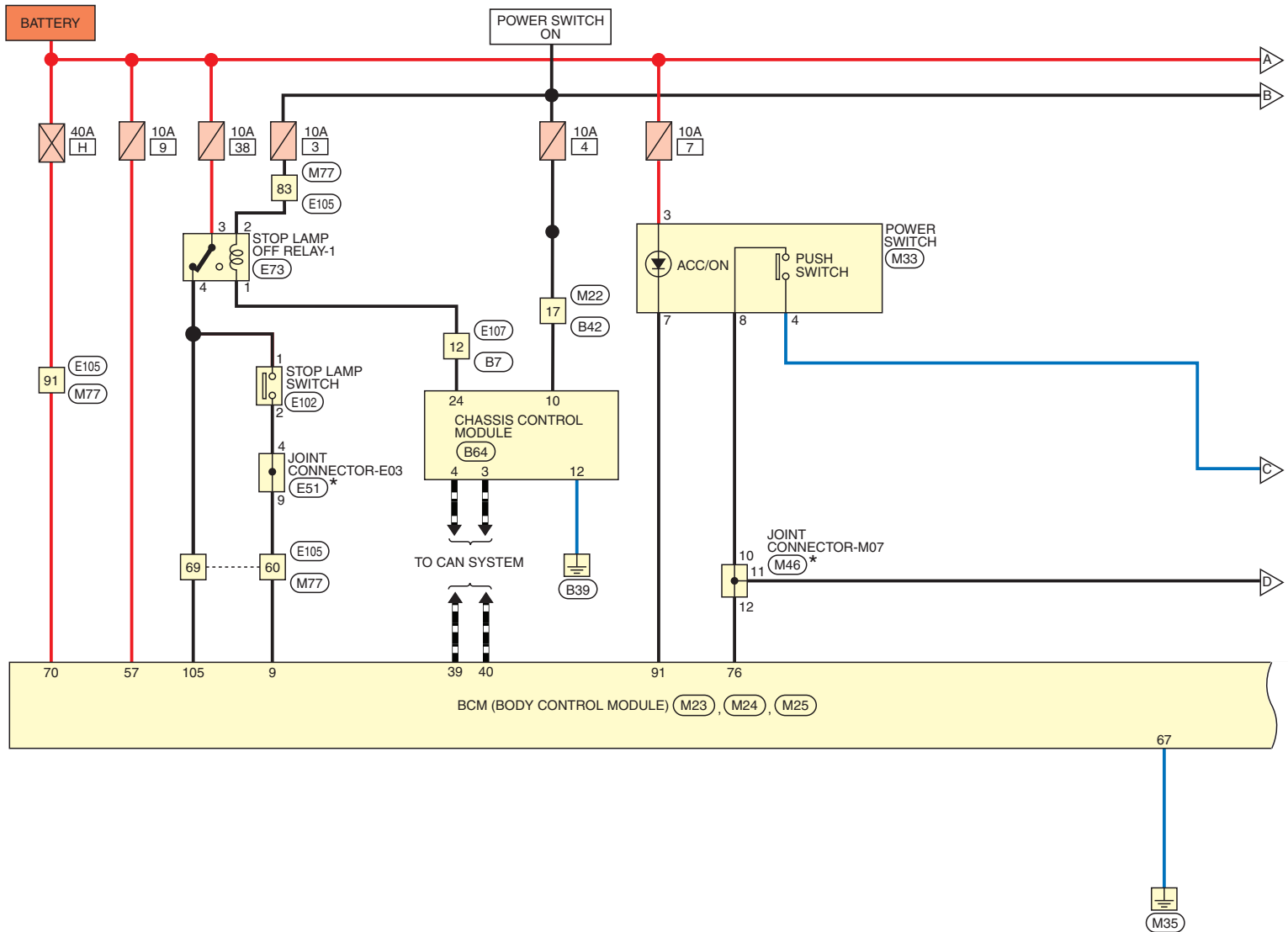
INTELLIGENT KEY SYSTEM/ENGINE START FUNCTION




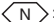
*: PIN-OUTS MAY BE IN NO SPECIFIC ORDER ON A COMMON BUS BAR IN JOINT CONNECTORS.

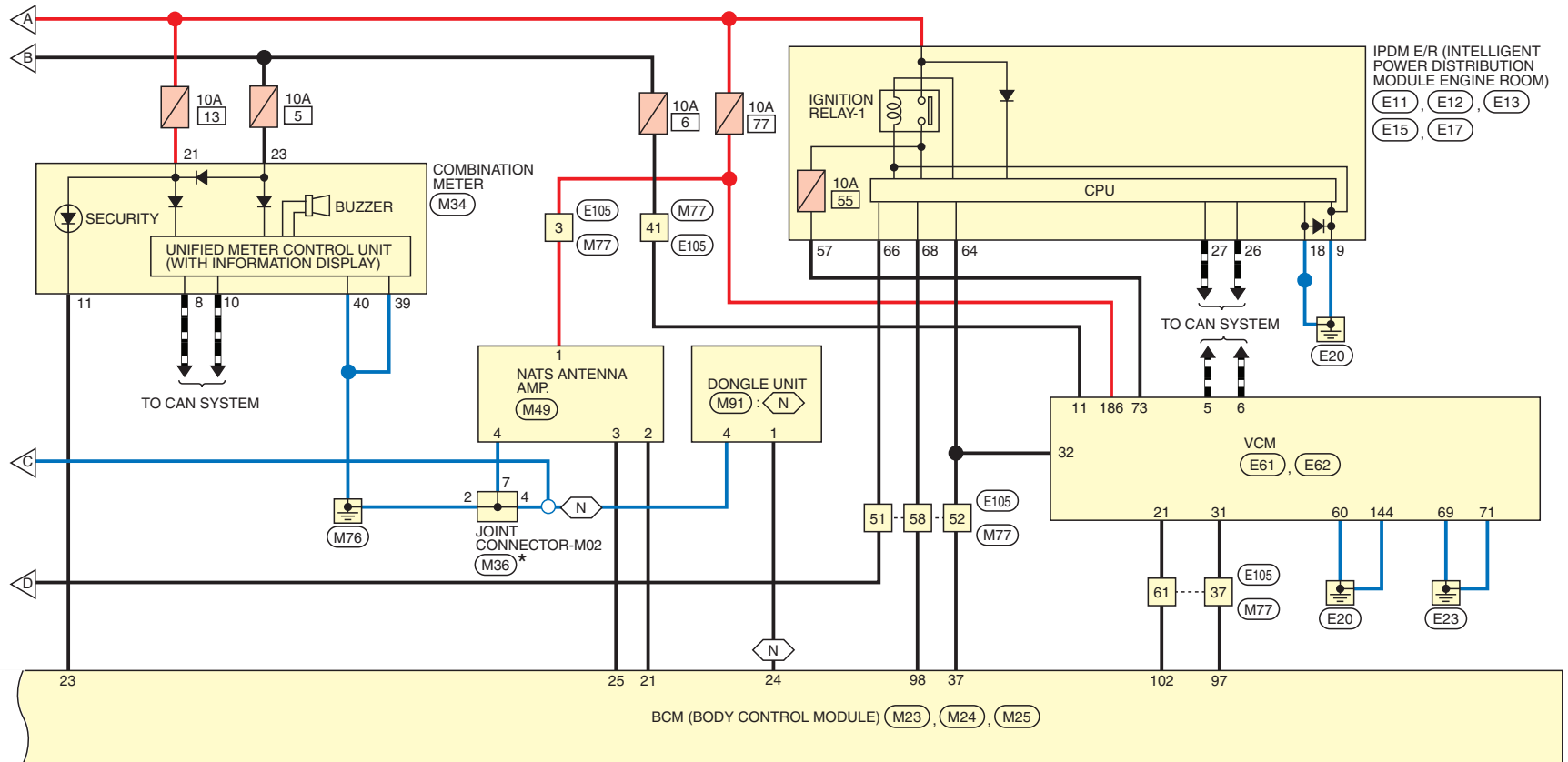


REFER TO POWER SUPPLY, GROUND & CIRCUIT ELEMENTS SECTION FOR COMPLETE POWER SUPPLY DETAIL.



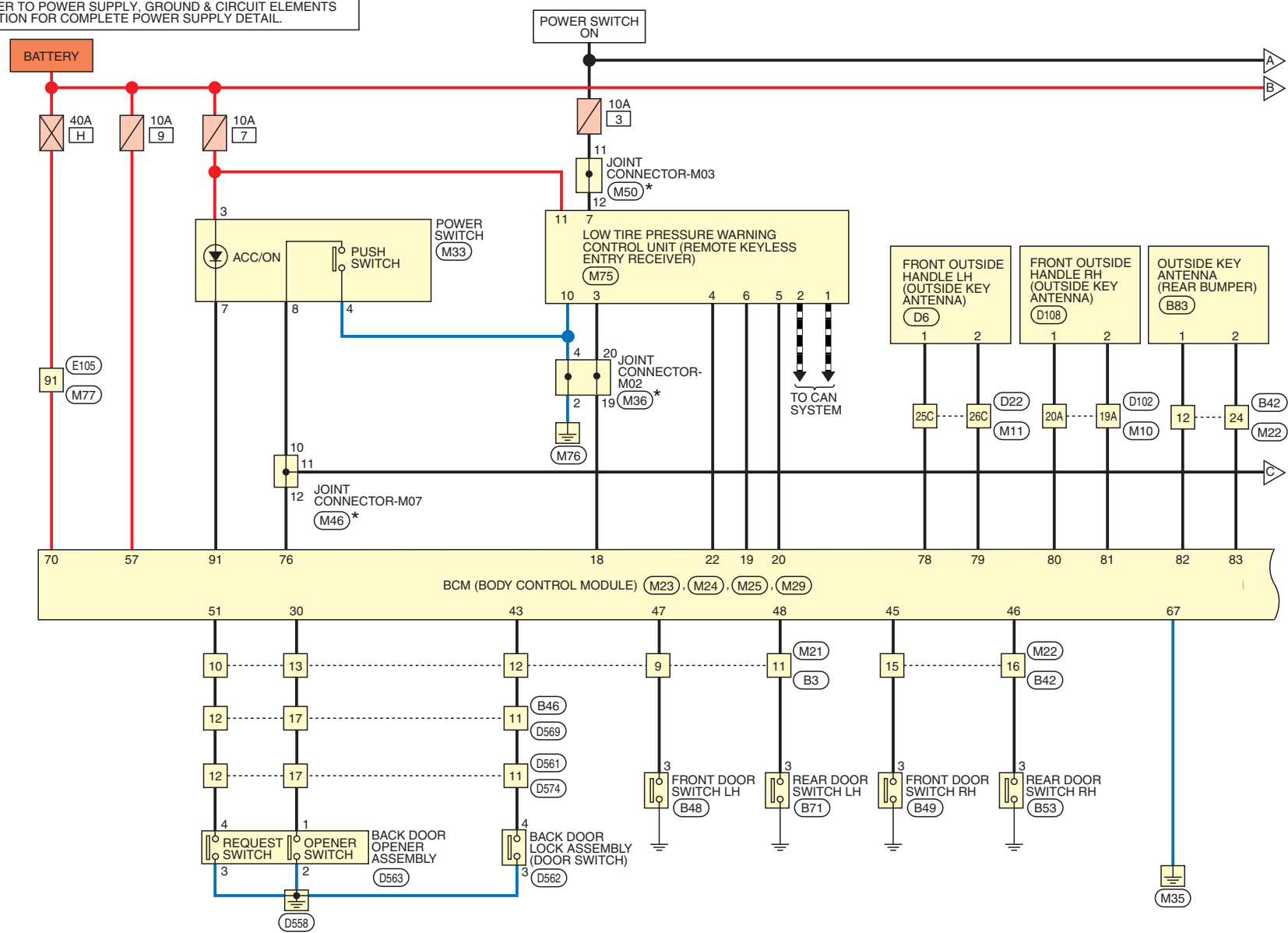
*: PIN-OUTS MAY BE IN NO SPECIFIC ORDER ON A COMMON BUS BAR IN JOINT CONNECTORS.

 : CAN COMMUNICATION LINE FOR DIAGNOSIS
 : FOR CANADA



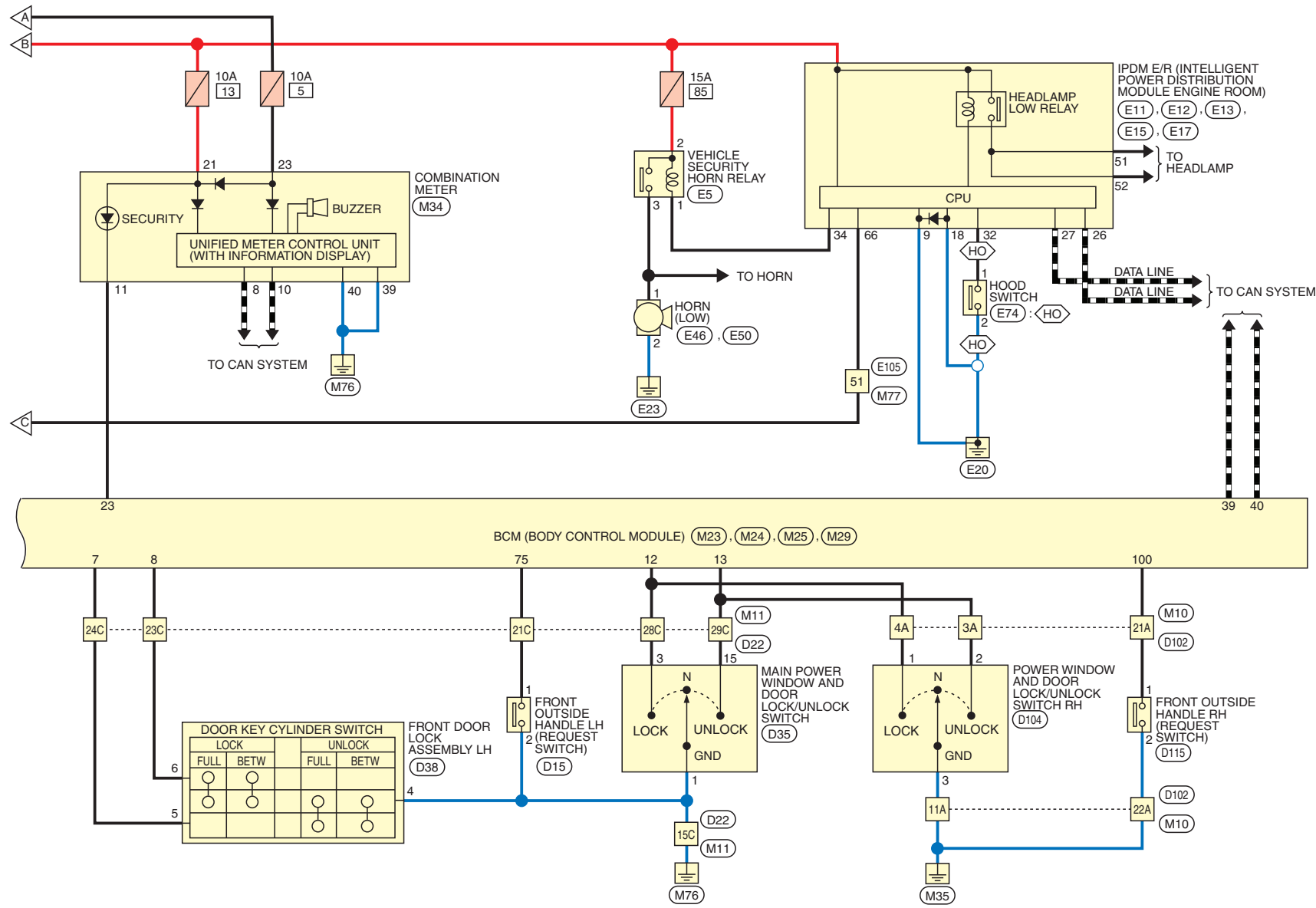
VEHICLE SECURITY SYSTEM

REFER TO POWER SUPPLY, GROUND & CIRCUIT ELEMENTS SECTION FOR COMPLETE POWER SUPPLY DETAIL.



*: PIN-OUTS MAY BE IN NO SPECIFIC ORDER ON A COMMON BUS BAR IN JOINT CONNECTORS.

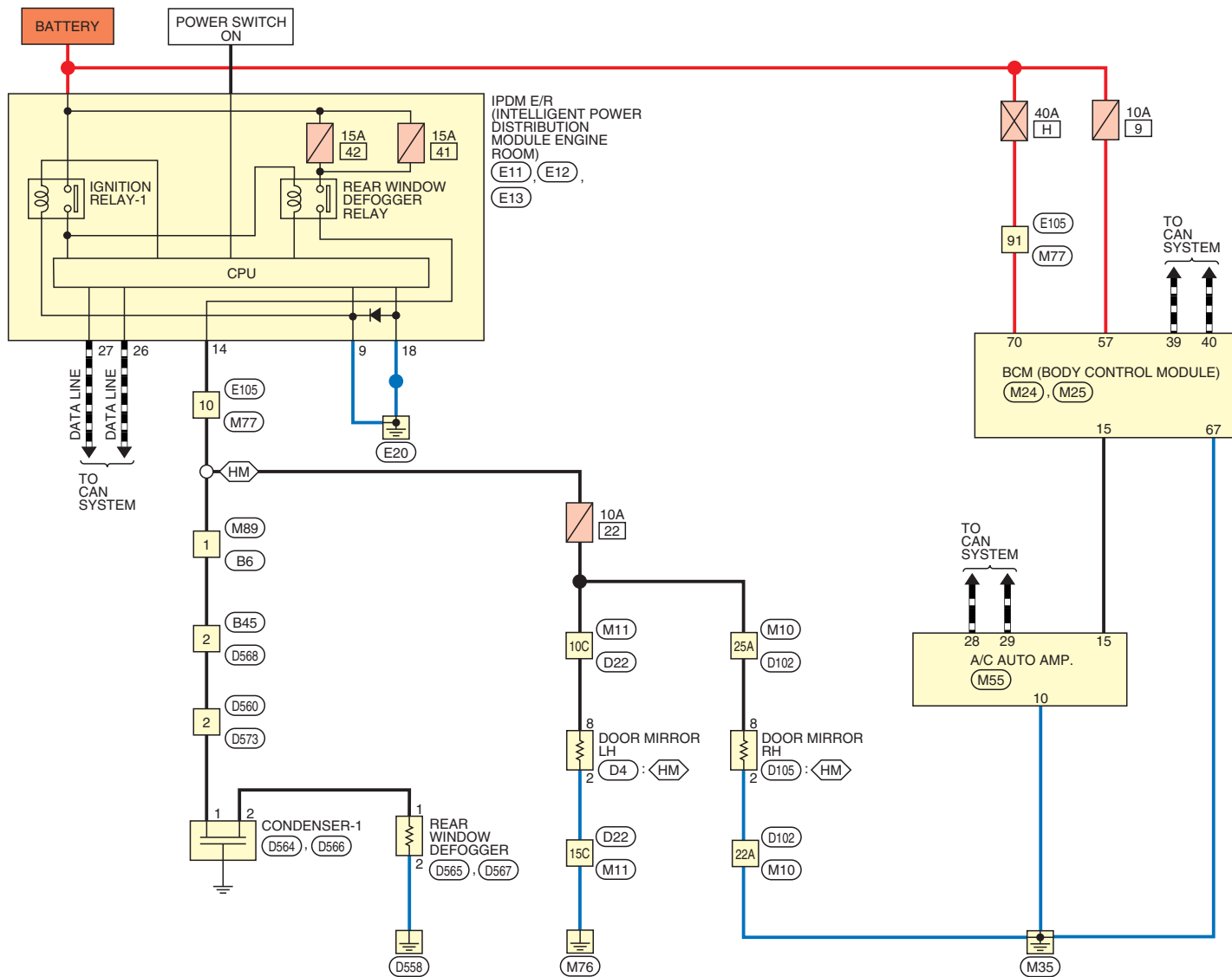
: CAN COMMUNICATION LINE FOR DIAGNOSIS
HO : WITH HOOD SWITCH



DEFOGGER

: CAN COMMUNICATION LINE FOR DIAGNOSIS
HM : WITH HEATED MIRRORS

REFER TO POWER SUPPLY, GROUND & CIRCUIT ELEMENTS SECTION FOR COMPLETE POWER SUPPLY DETAIL.



AUTO LIGHT SYSTEM

— : CAN COMMUNICATION LINE FOR DIAGNOSIS

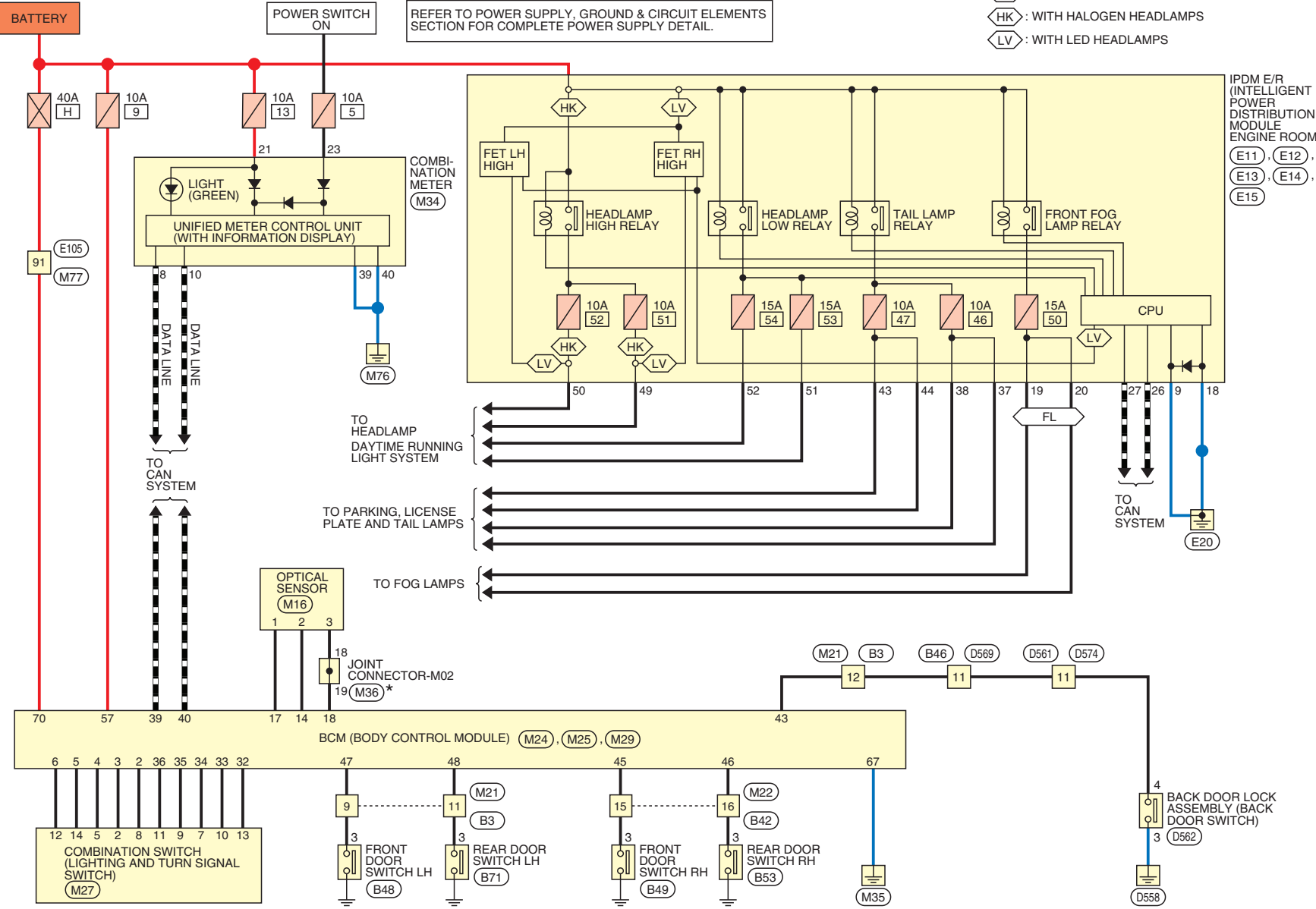
FL : WITH FRONT FOG LAMPS

HK : WITH HALOGEN HEADLAMPS

LV : WITH LED HEADLAMPS

IPDM E/R
(INTELLIGENT
POWER
DISTRIBUTION
MODULE
ENGINE ROOM)

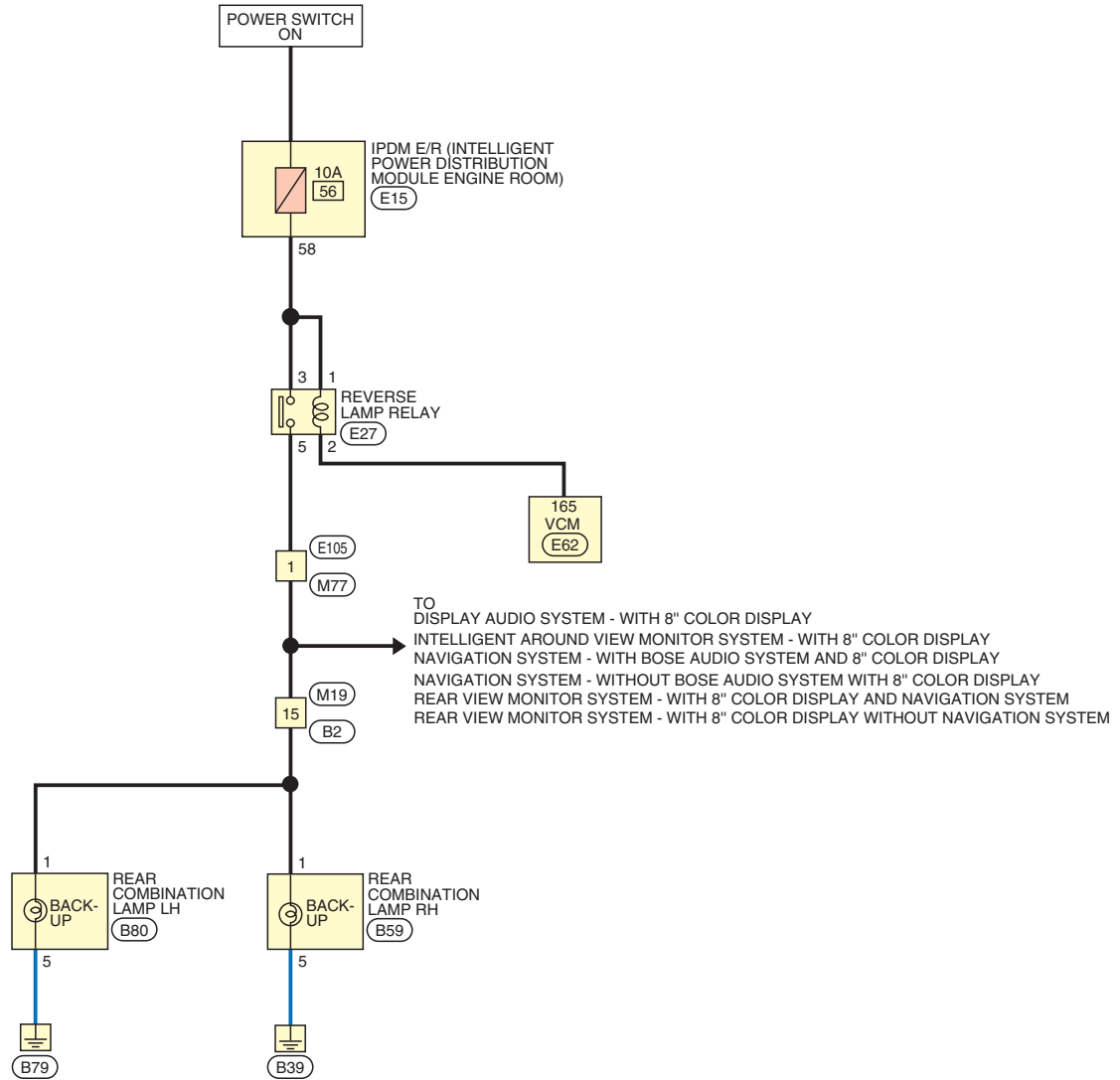
(E11) (E12)
(E13) (E14)
(E15)



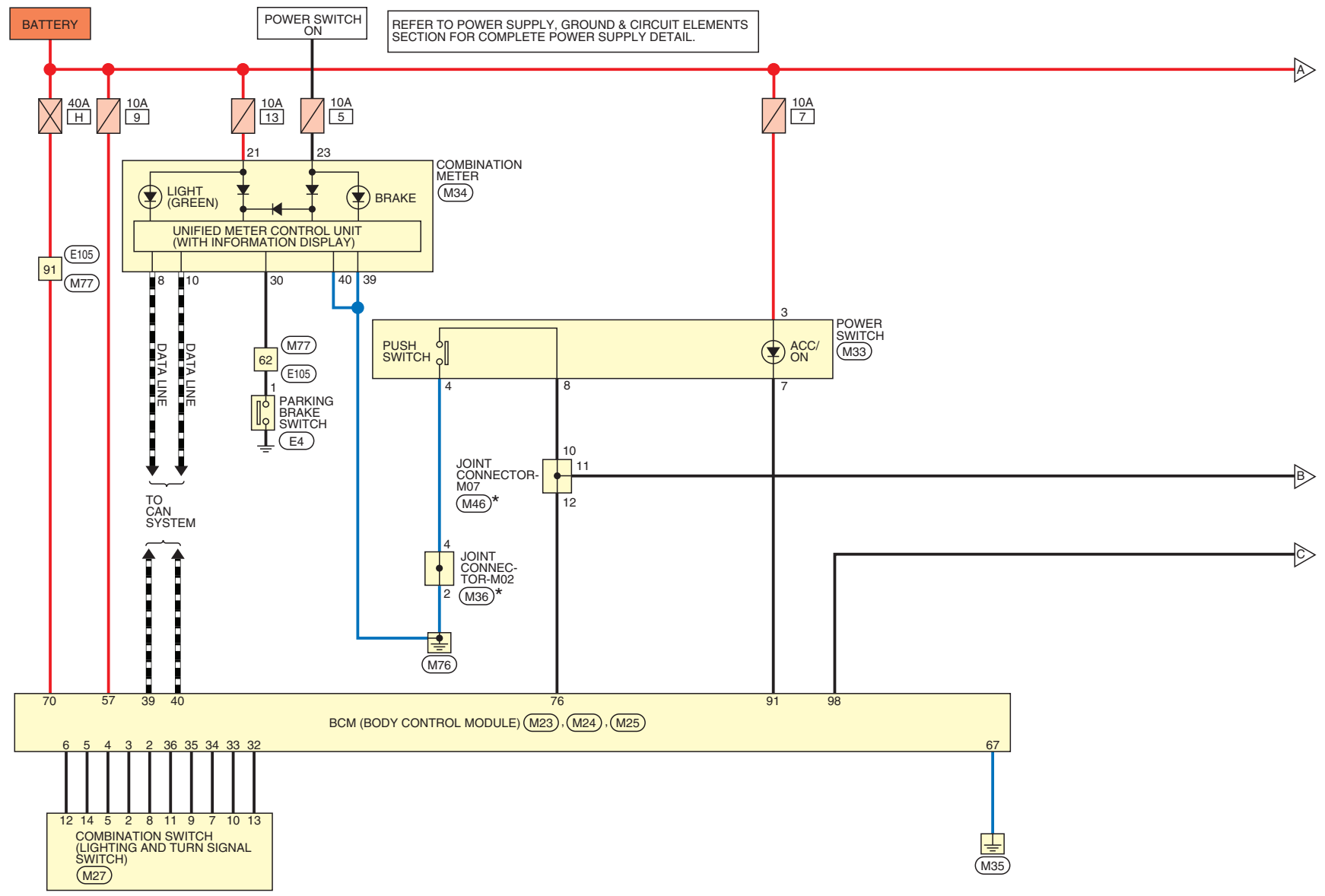
*: PIN-OUTS MAY BE IN NO SPECIFIC ORDER ON A COMMON BUS BAR IN JOINT CONNECTORS.

BACK-UP LAMP

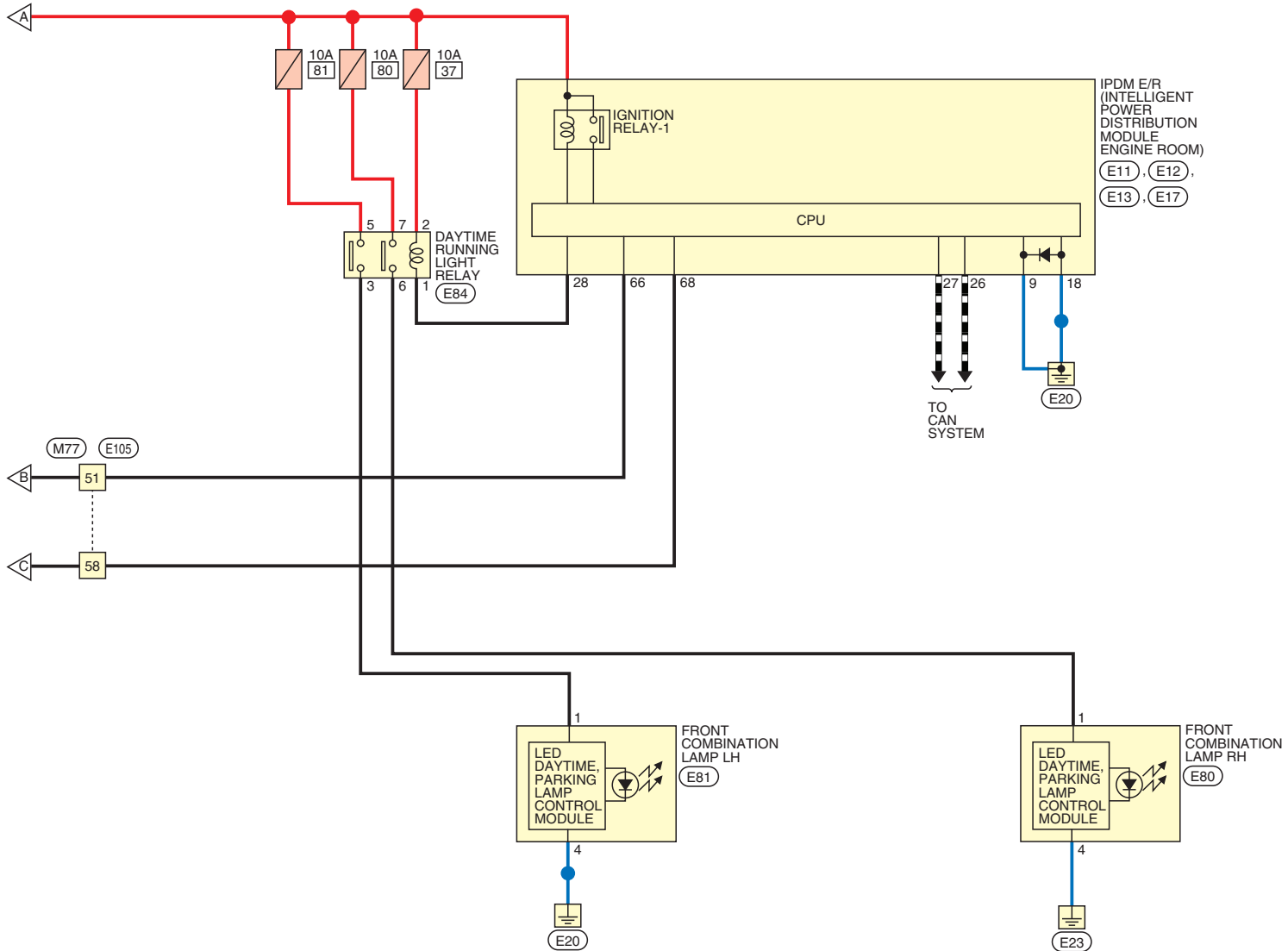
REFER TO POWER SUPPLY, GROUND & CIRCUIT ELEMENTS SECTION FOR COMPLETE POWER SUPPLY DETAIL.



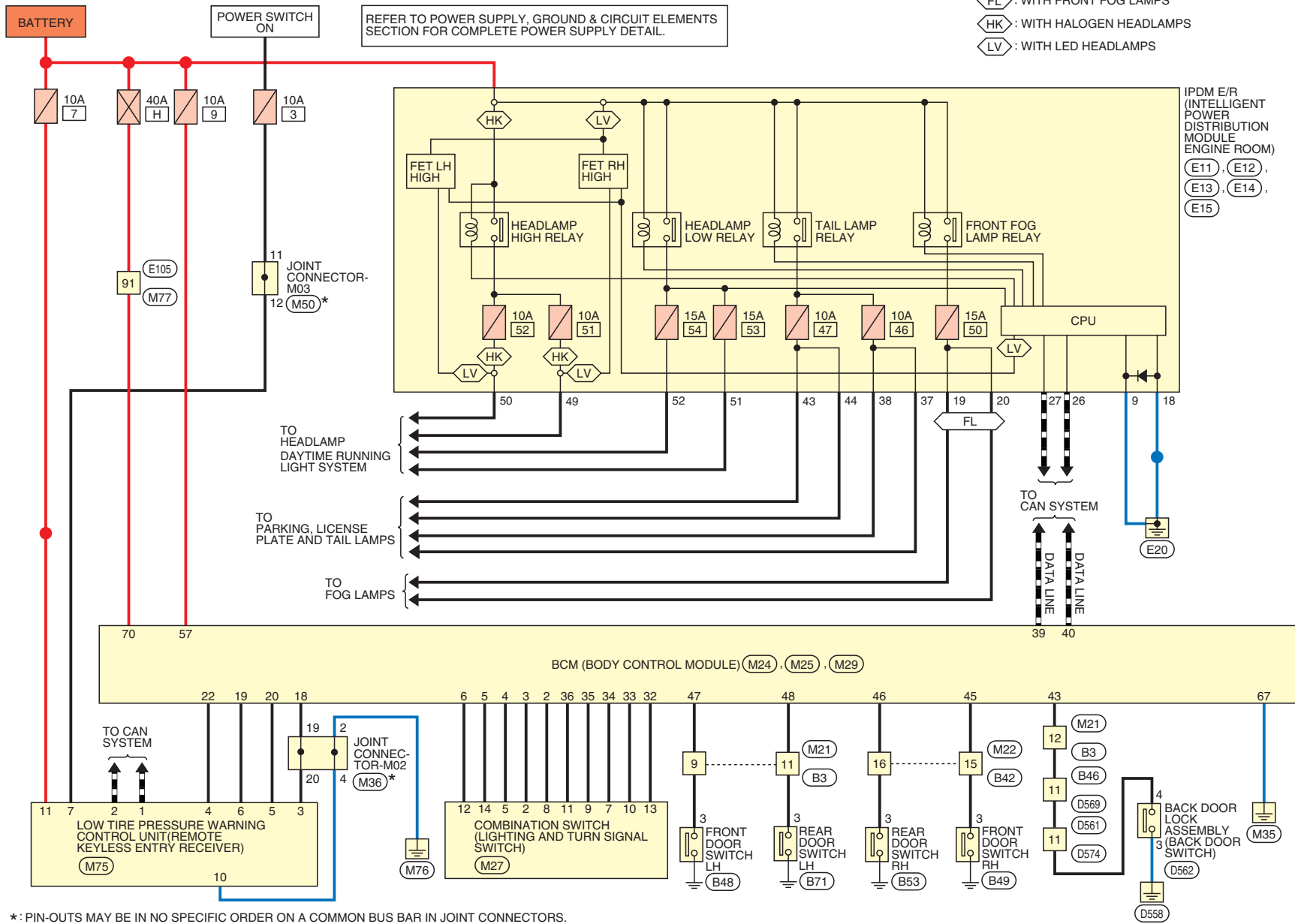
DAYTIME RUNNING LIGHT SYSTEM



*: PIN-OUTS MAY BE IN NO SPECIFIC ORDER ON A COMMON BUS BAR IN JOINT CONNECTORS.



EXTERIOR LAMP BATTERY SAVER SYSTEM

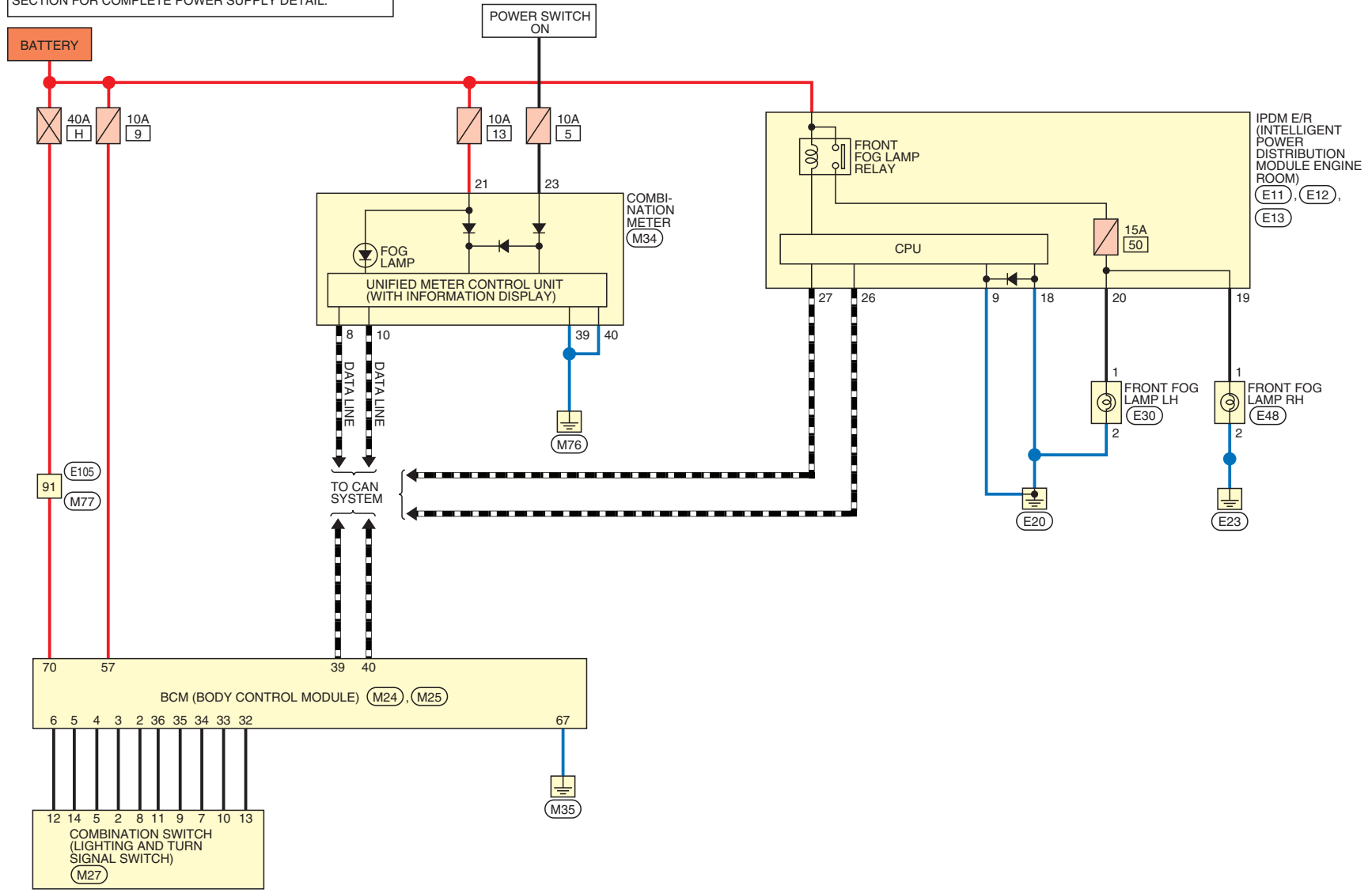


*: PIN-OUTS MAY BE IN NO SPECIFIC ORDER ON A COMMON BUS BAR IN JOINT CONNECTORS.

FOG LAMPS

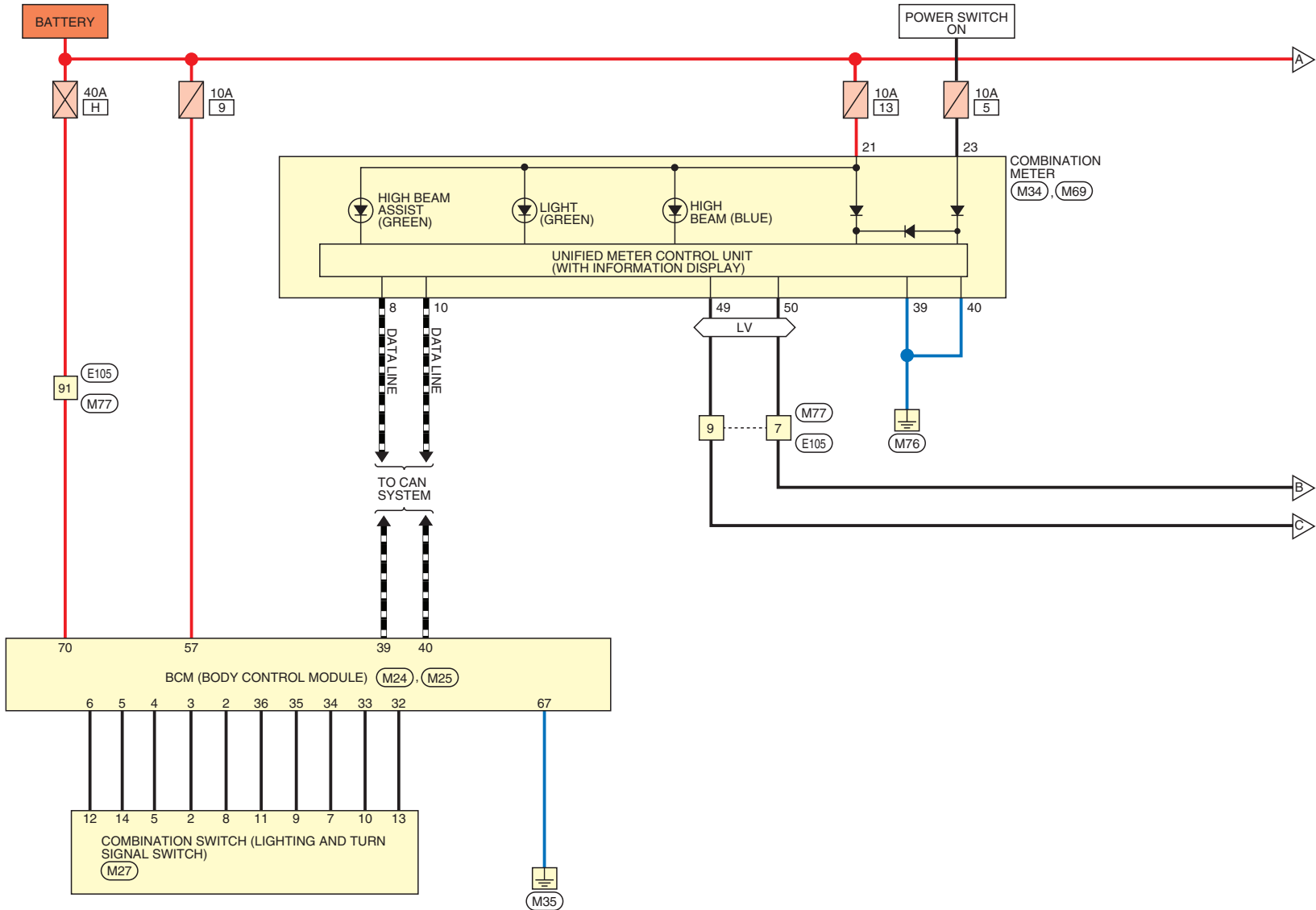
--- : CAN COMMUNICATION LINE FOR DIAGNOSIS

REFER TO POWER SUPPLY, GROUND & CIRCUIT ELEMENTS SECTION FOR COMPLETE POWER SUPPLY DETAIL.



HEADLAMP

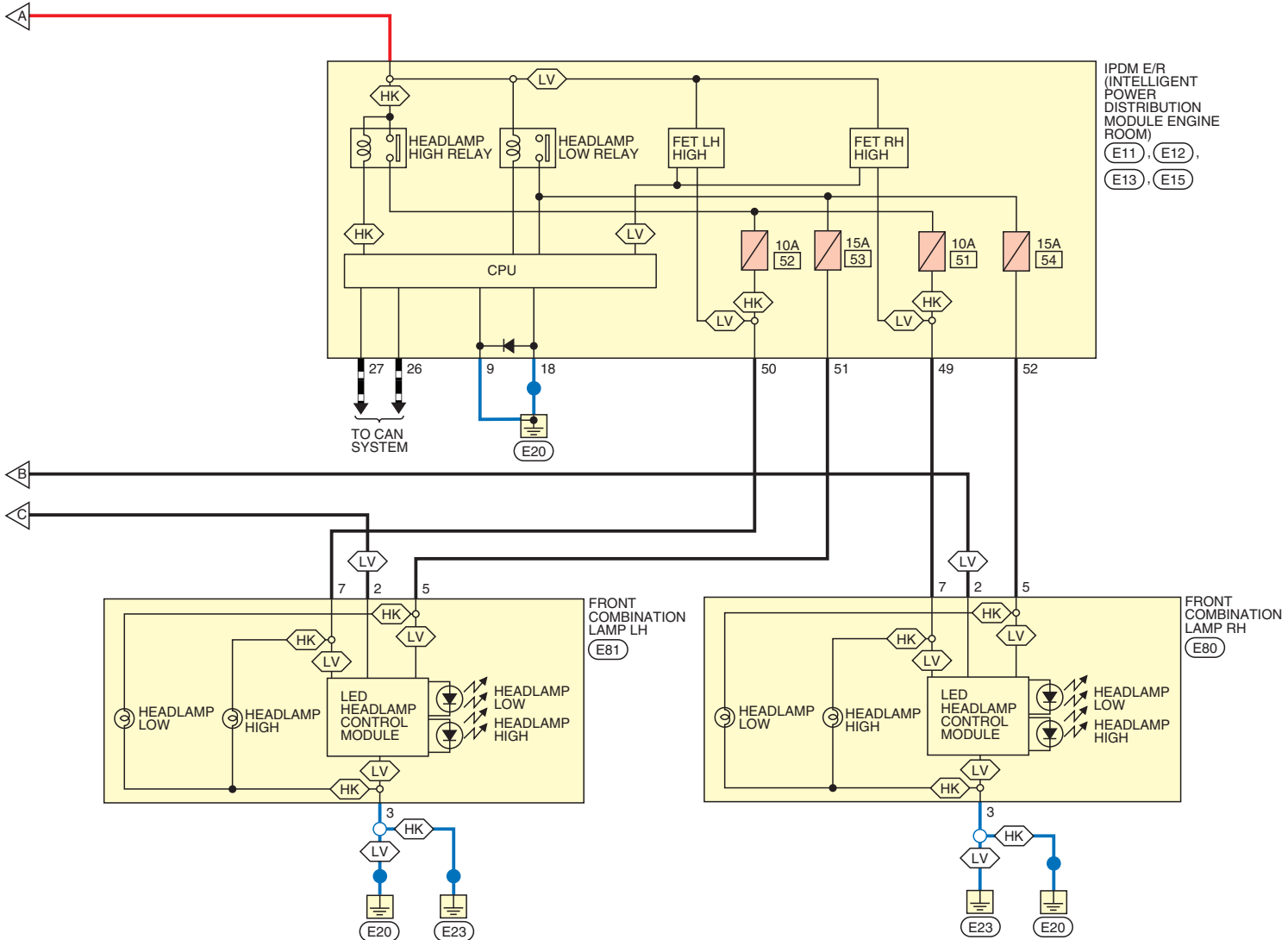
REFER TO POWER SUPPLY, GROUND & CIRCUIT ELEMENTS SECTION FOR COMPLETE POWER SUPPLY DETAIL.



▬ : CAN COMMUNICATION LINE FOR DIAGNOSIS

◊HK◊ : WITH HALOGEN HEADLAMPS

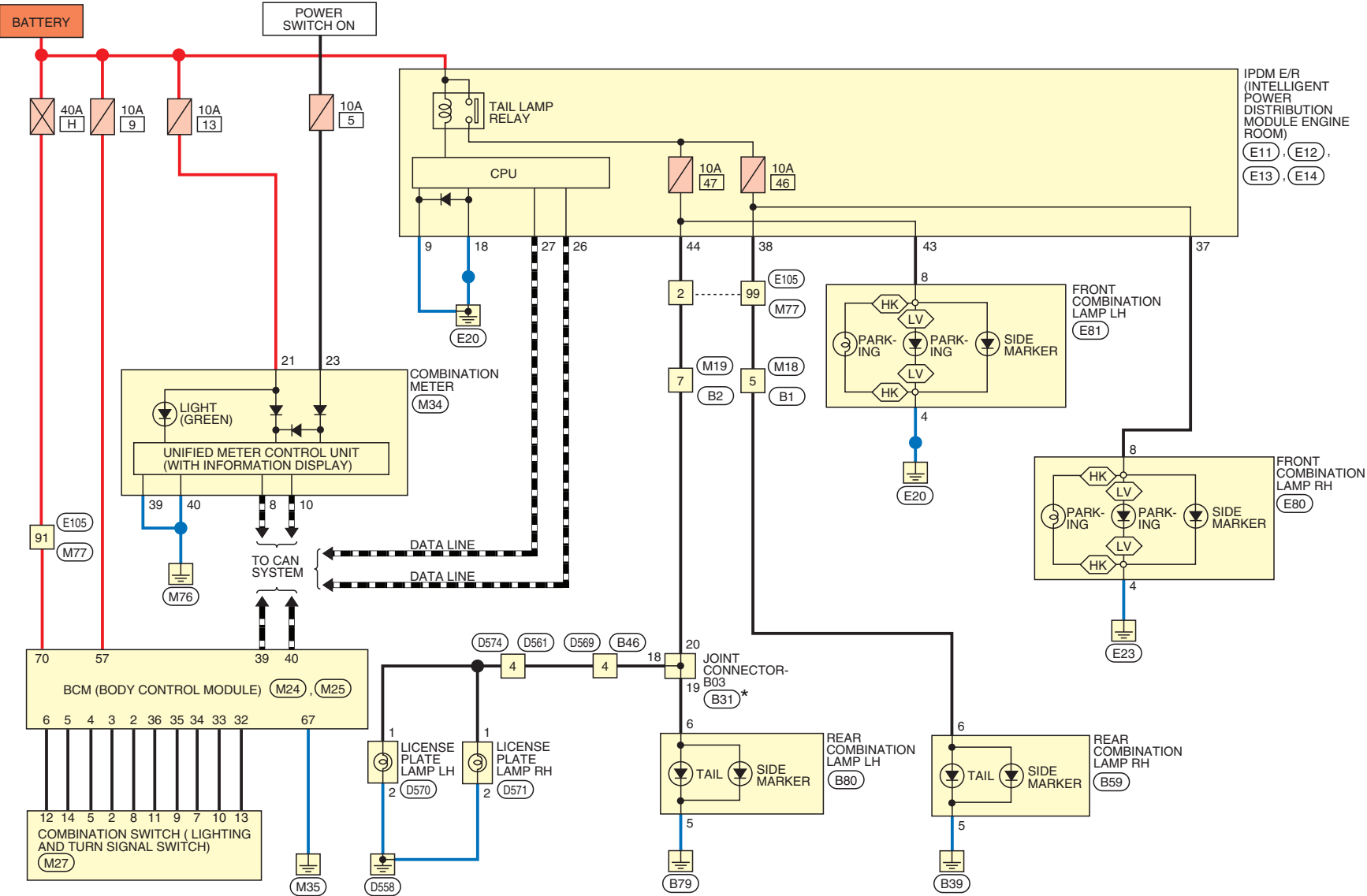
◊LV◊ : WITH LED HEADLAMPS



PARKING, LICENSE PLATE AND TAIL LAMPS

— : CAN COMMUNICATION LINE FOR DIAGNOSIS

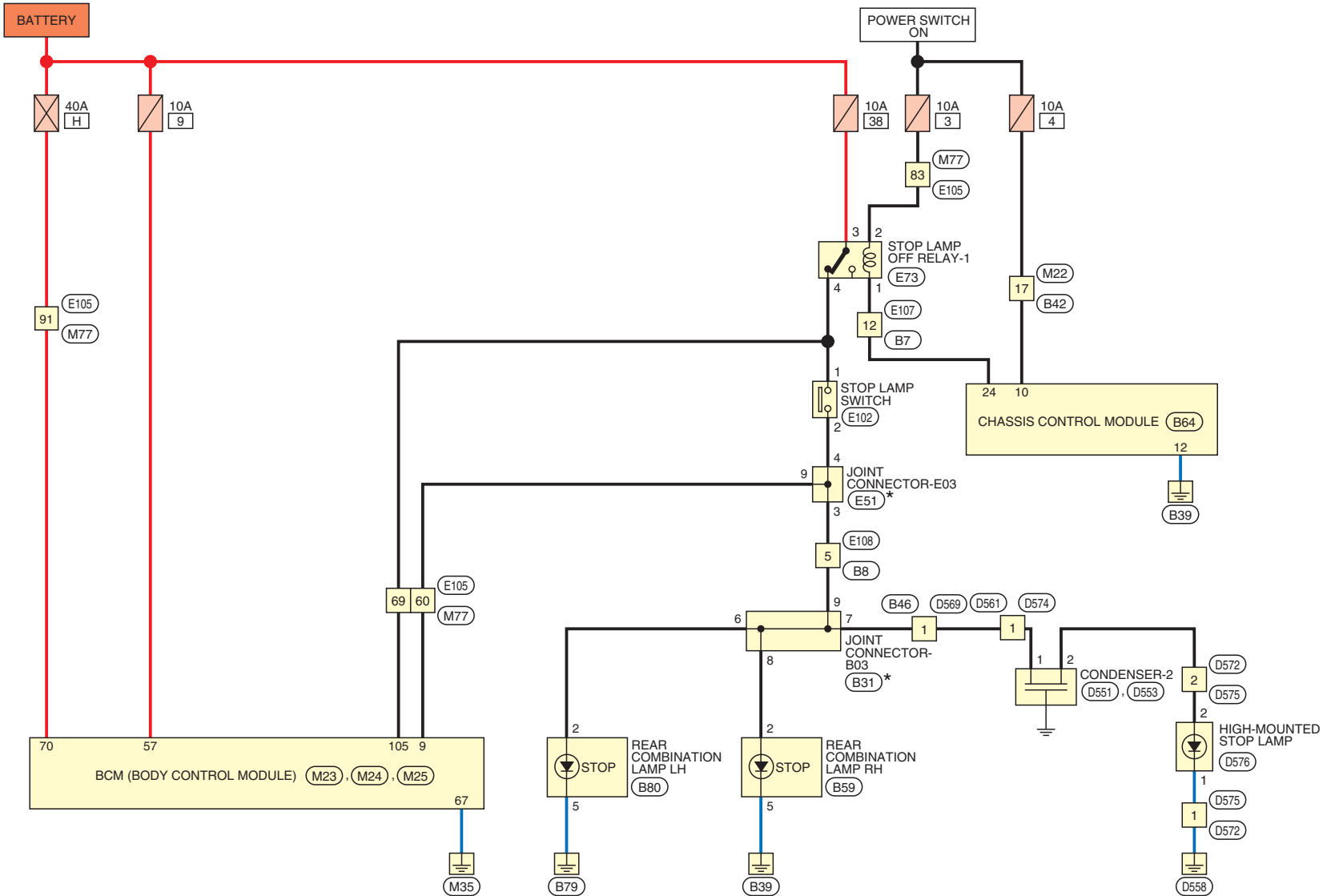
REFER TO POWER SUPPLY, GROUND & CIRCUIT ELEMENTS SECTION FOR COMPLETE POWER SUPPLY DETAIL.



*: PIN-OUTS MAY BE IN NO SPECIFIC ORDER ON A COMMON BUS BAR IN JOINT CONNECTORS.

STOP LAMP

REFER TO POWER SUPPLY, GROUND & CIRCUIT ELEMENTS SECTION FOR COMPLETE POWER SUPPLY DETAIL.



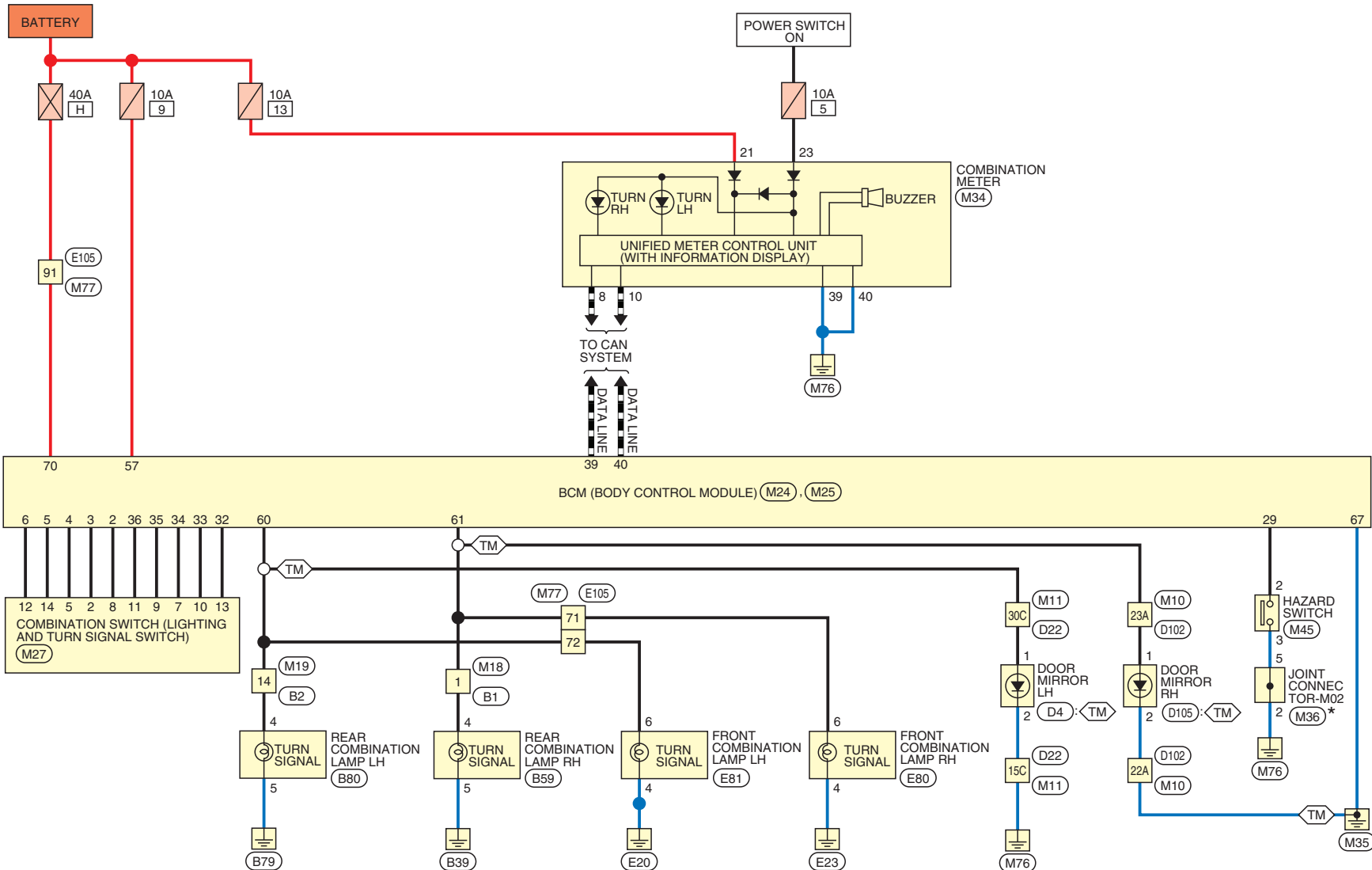
* : PIN-OUTS MAY BE IN NO SPECIFIC ORDER ON A COMMON BUS BAR IN JOINT CONNECTORS.

TURN SIGNAL AND HAZARD WARNING LAMPS

▬ : CAN COMMUNICATION LINE FOR DIAGNOSIS

◊TM◊ : WITH TURN SIGNAL IN MIRROR

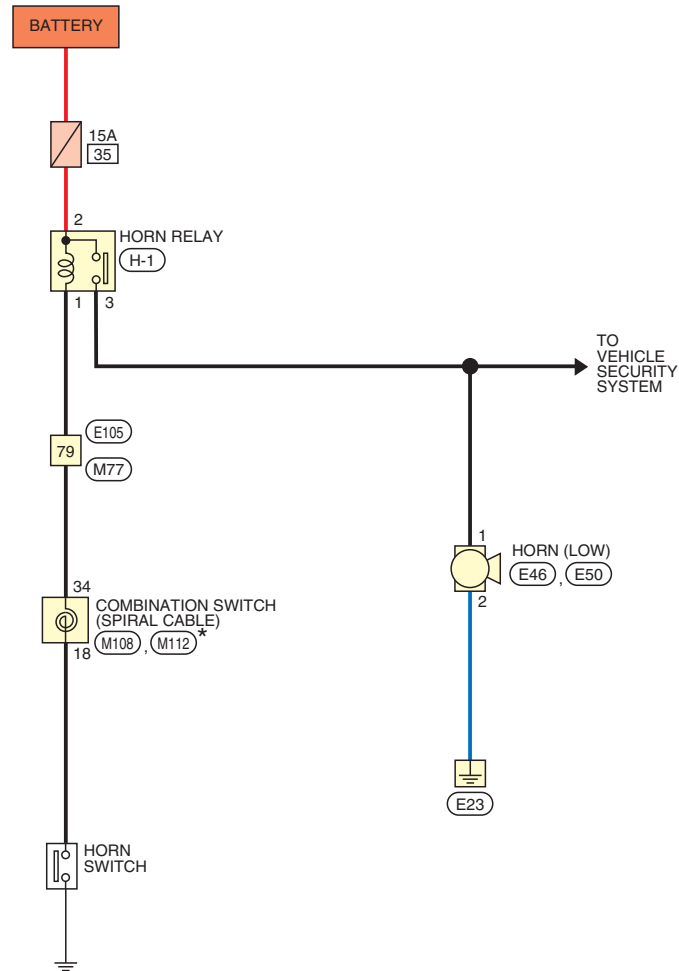
REFER TO POWER SUPPLY, GROUND & CIRCUIT ELEMENTS SECTION FOR COMPLETE POWER SUPPLY DETAIL.



*: PIN-OUTS MAY BE IN NO SPECIFIC ORDER ON A COMMON BUS BAR IN JOINT CONNECTORS.

HORN

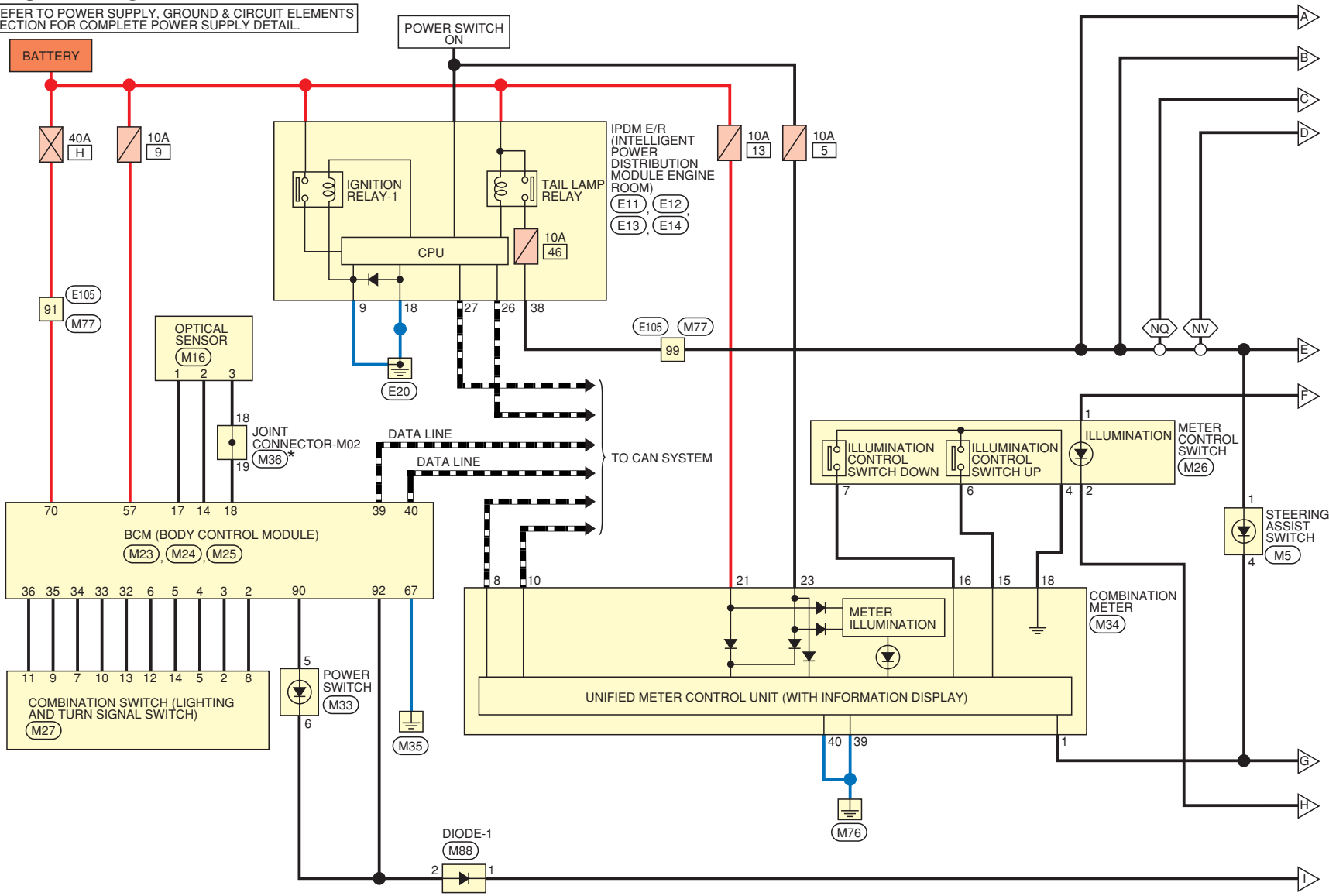
REFER TO POWER SUPPLY, GROUND & CIRCUIT ELEMENTS SECTION FOR COMPLETE POWER SUPPLY DETAIL.



*: THIS CONNECTOR IS NOT SHOWN IN "HARNES LAYOUT" OF PG SECTION.

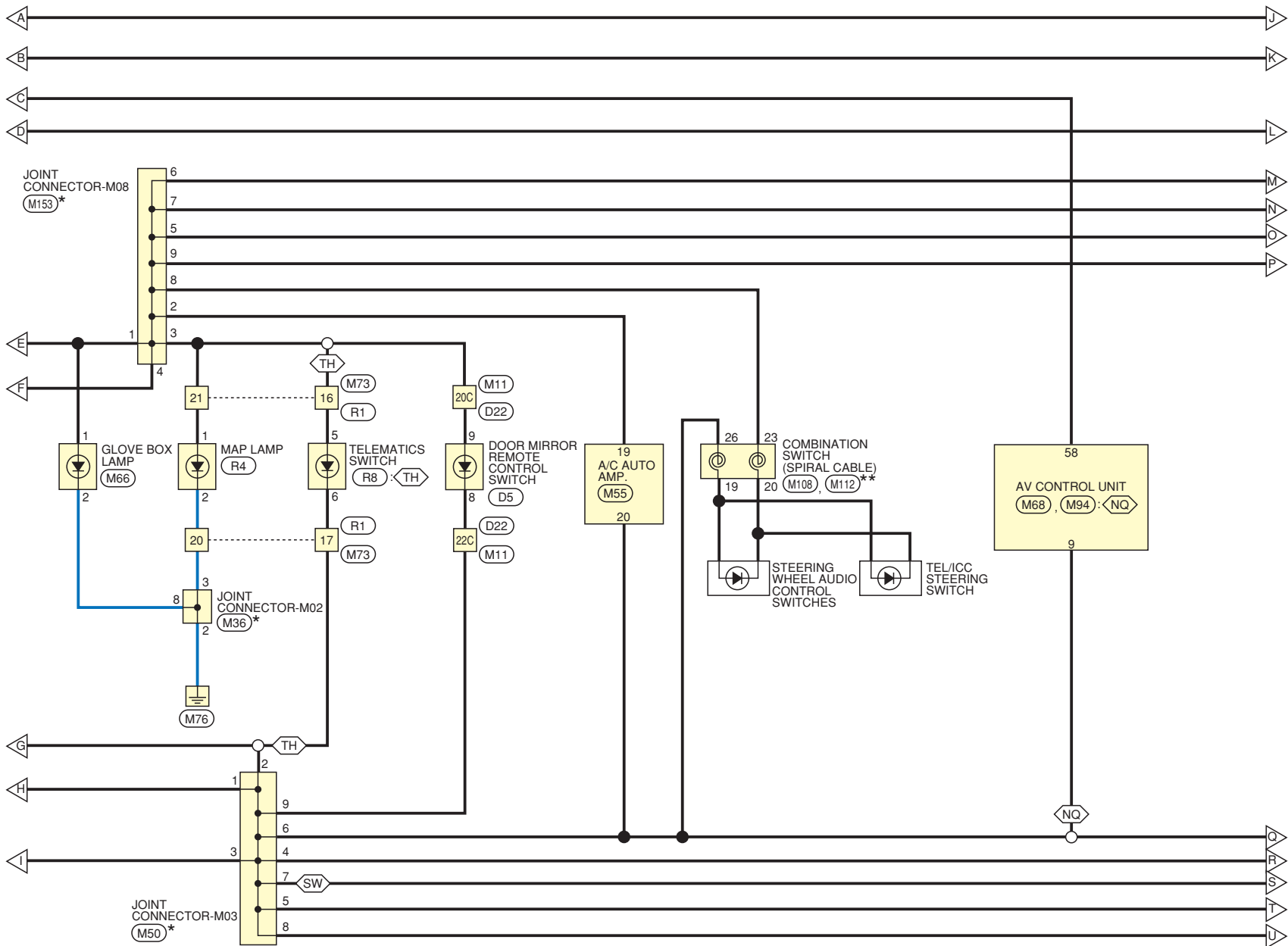
ILLUMINATION

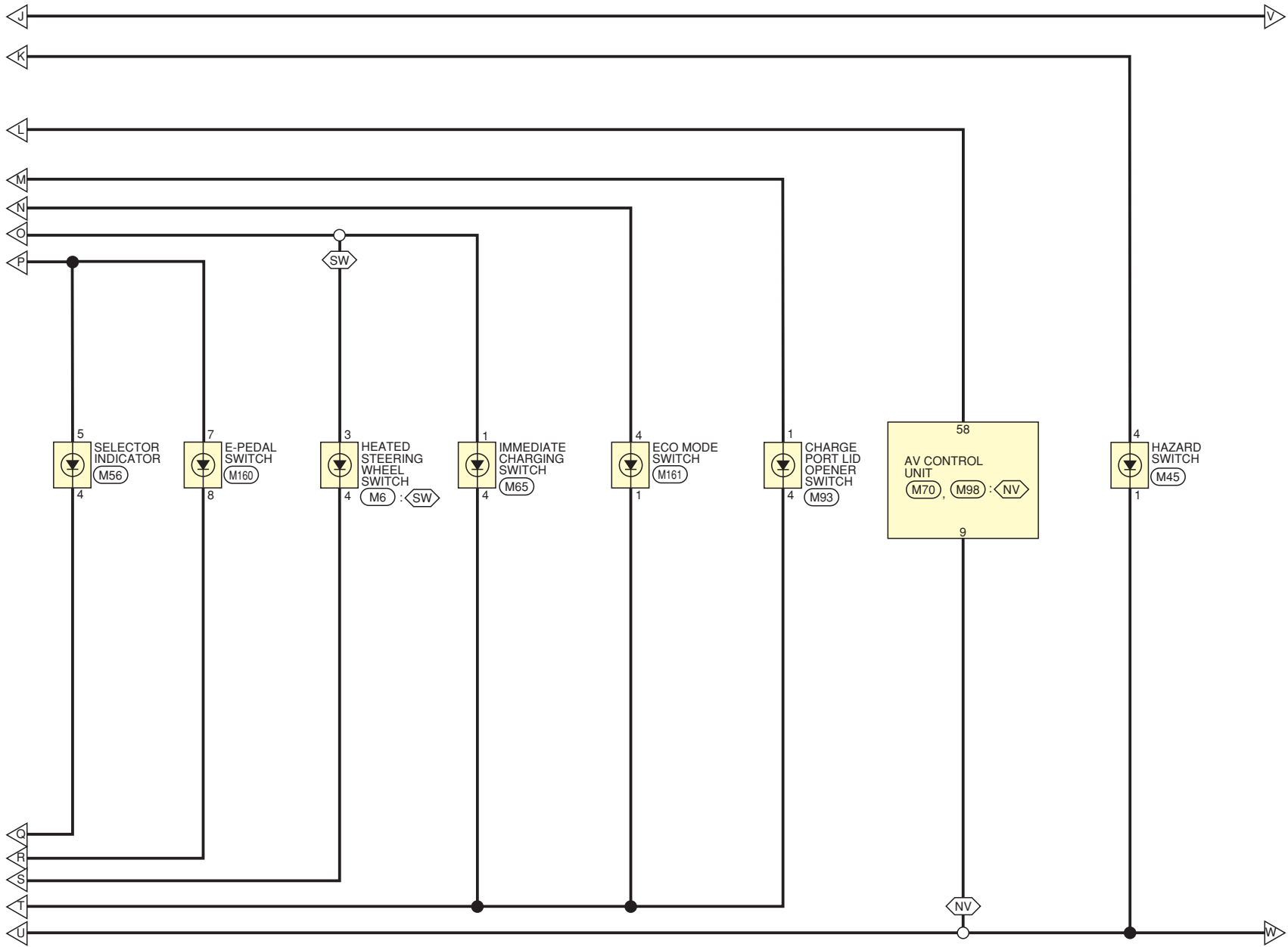
REFER TO POWER SUPPLY, GROUND & CIRCUIT ELEMENTS SECTION FOR COMPLETE POWER SUPPLY DETAIL.



*: PIN-OUTS MAY BE IN NO SPECIFIC ORDER ON A COMMON BUS BAR IN JOINT CONNECTORS.

** : THIS CONNECTOR IS NOT SHOWN IN "HARNESS LAYOUT" OF PG SECTION.





— : CAN COMMUNICATION LINE FOR DIAGNOSIS

HF : WITH FRONT HEATED SEATS

HR : WITH REAR HEATED SEATS

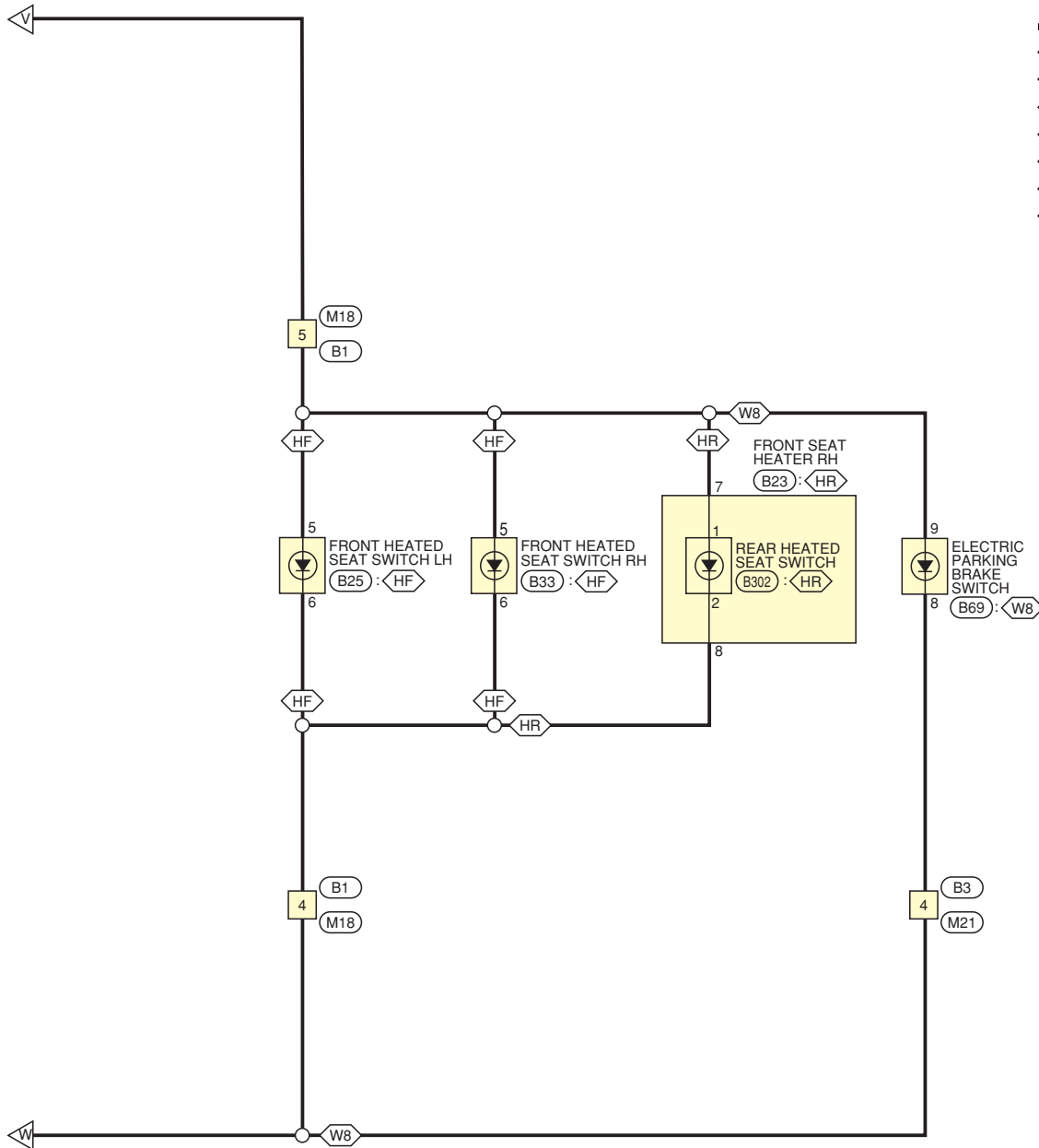
NQ : WITH DISPLAY AUDIO SYSTEM

NV : WITH NAVIGATION SYSTEM

SW : WITH HEATED STEERING WHEEL

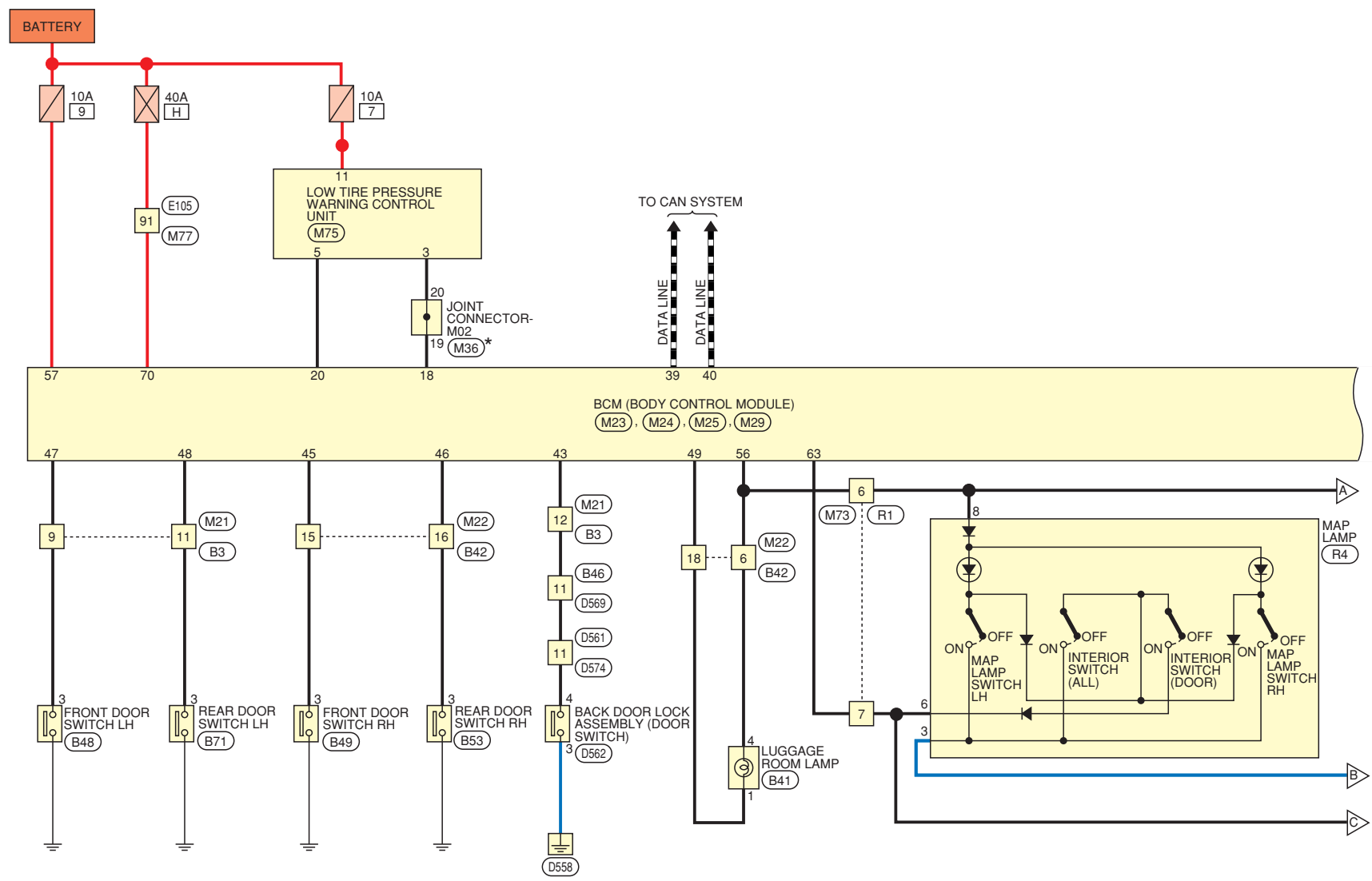
TH : WITH TELEMATICS SYSTEM

W8 : WITH ELECTRIC PARKING BRAKE

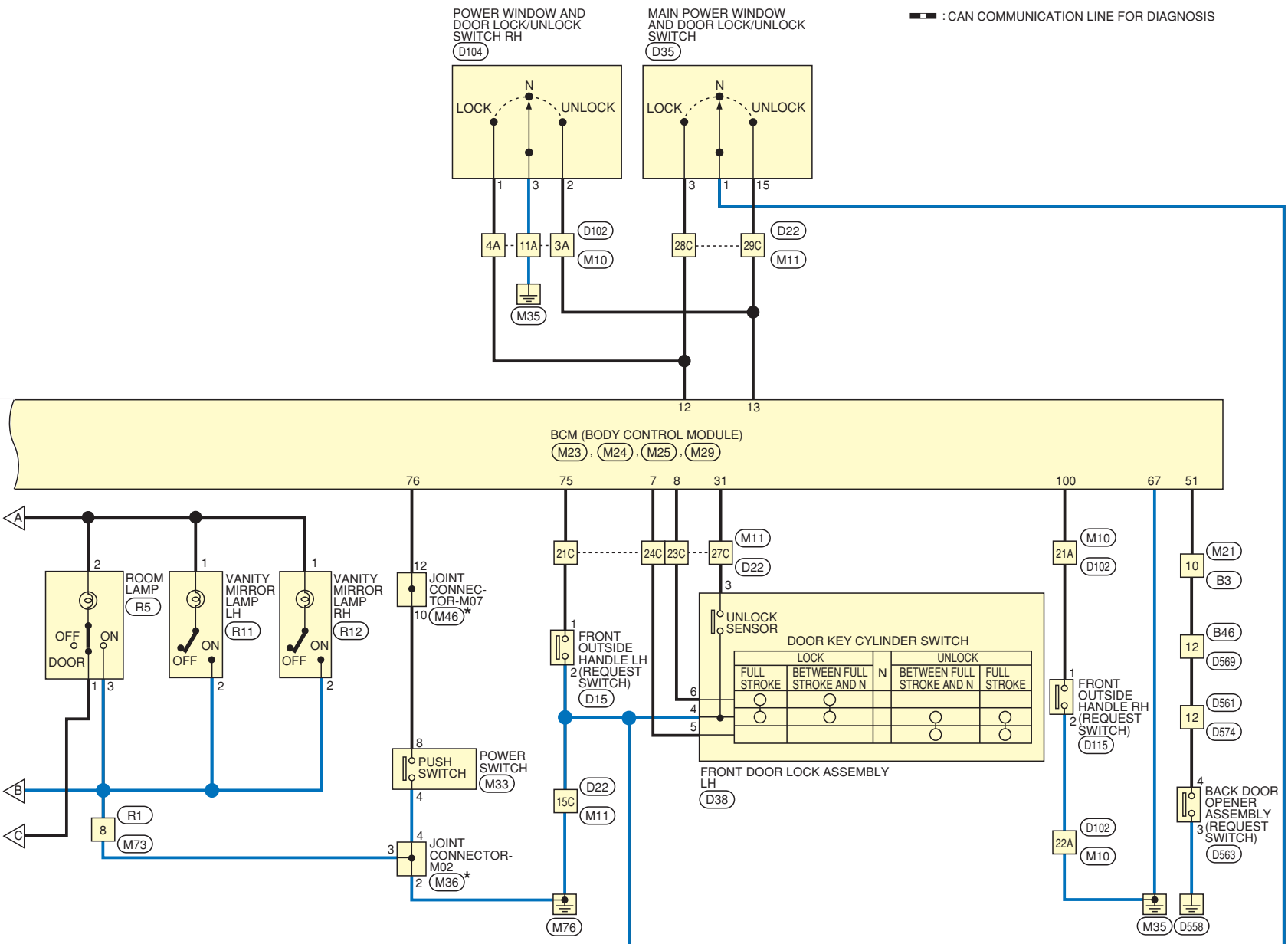


INTERIOR ROOM LAMP

REFER TO POWER SUPPLY, GROUND & CIRCUIT ELEMENTS SECTION FOR COMPLETE POWER SUPPLY DETAIL.

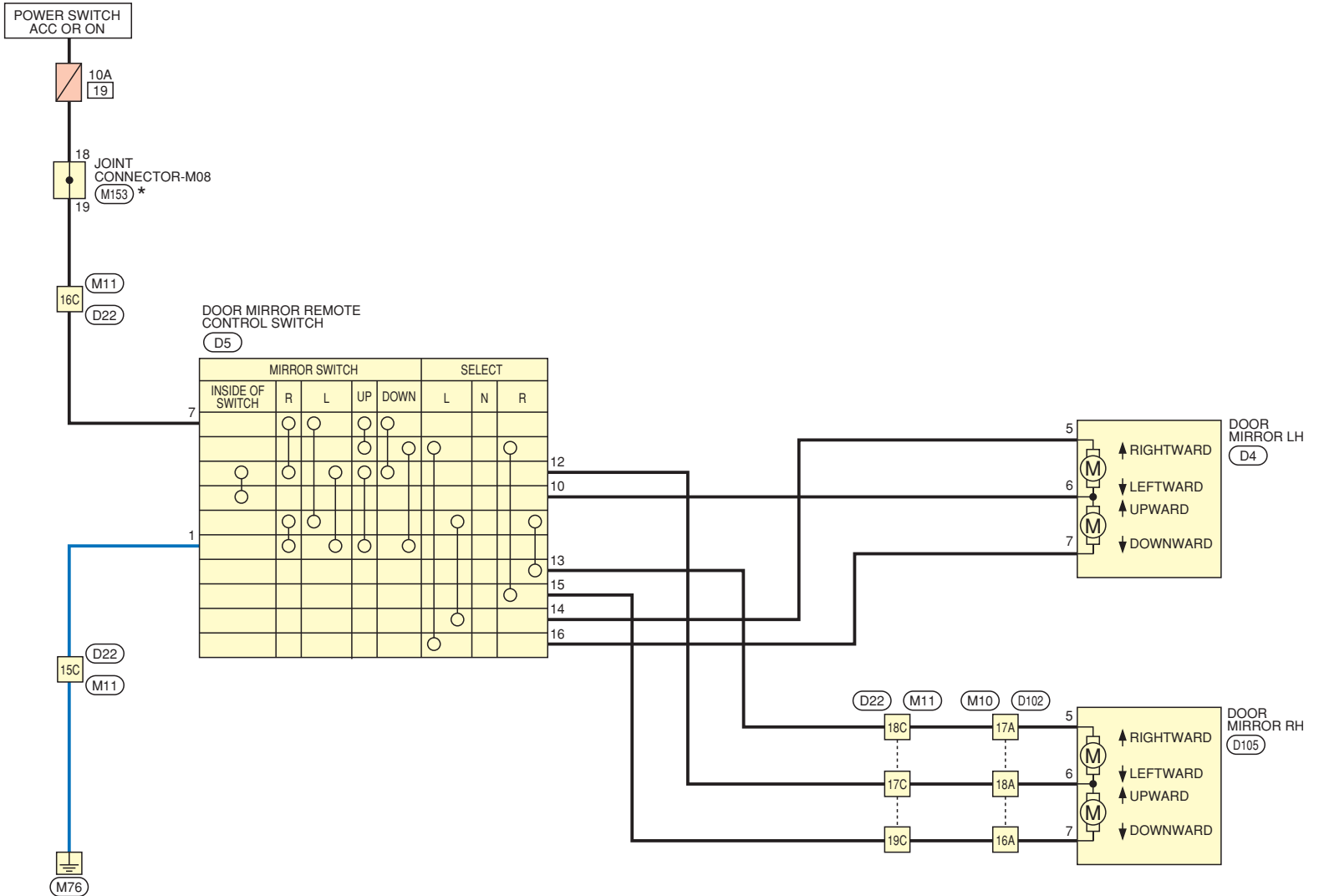


* : PIN-OUTS MAY BE IN NO SPECIFIC ORDER ON A COMMON BUS BAR IN JOINT CONNECTORS.



DOOR MIRROR

REFER TO POWER SUPPLY, GROUND & CIRCUIT ELEMENTS SECTION FOR COMPLETE POWER SUPPLY DETAIL.

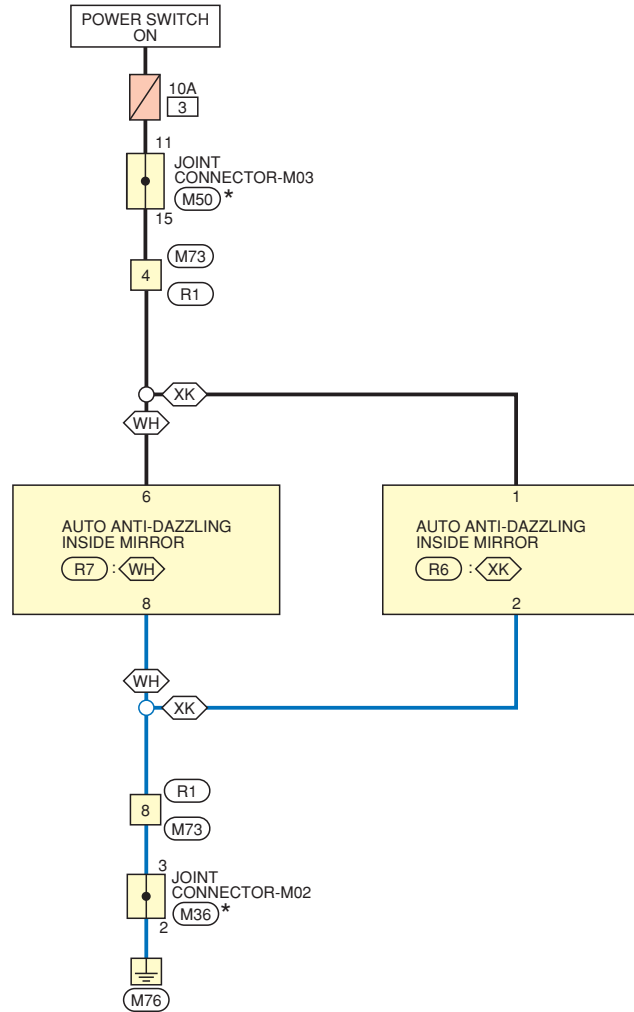


* : PIN-OUTS MAY BE IN NO SPECIFIC ORDER ON A COMMON BUS BAR IN JOINT CONNECTORS.

INSIDE MIRROR

REFER TO POWER SUPPLY, GROUND & CIRCUIT ELEMENTS SECTION FOR COMPLETE POWER SUPPLY DETAIL.

WH : WITH HOMELINK® UNIVERSAL TRANSCEIVER
XK : WITHOUT HOMELINK® UNIVERSAL TRANSCEIVER

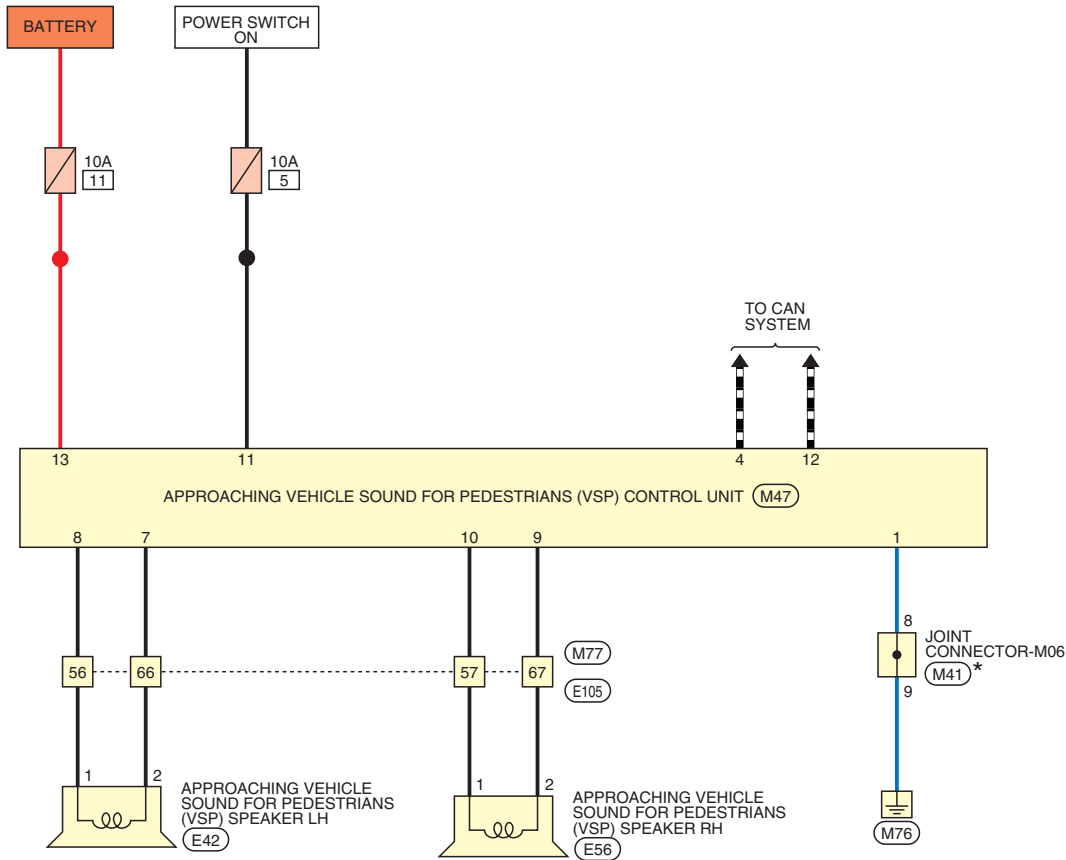


* : PIN-OUTS MAY BE IN NO SPECIFIC ORDER ON A COMMON BUS BAR IN JOINT CONNECTORS.

APPROACHING VEHICLE SOUND FOR PEDESTRIANS (VSP) SYSTEM

▬▬▬ : CAN COMMUNICATION LINE FOR DIAGNOSIS

REFER TO POWER SUPPLY, GROUND & CIRCUIT ELEMENTS SECTION FOR COMPLETE POWER SUPPLY DETAIL.

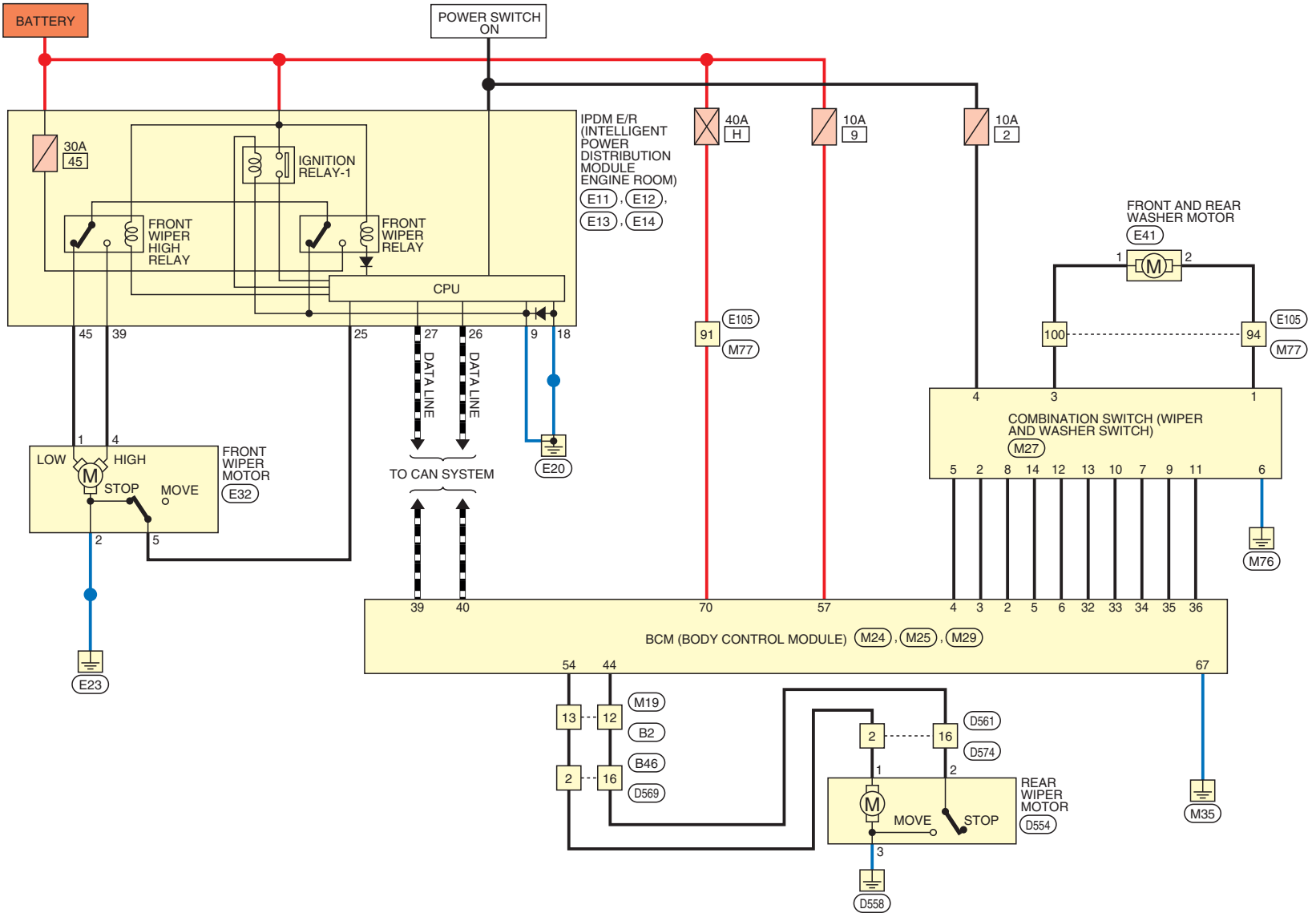


* : PIN-OUTS MAY BE IN NO SPECIFIC ORDER ON A COMMON BUS BAR IN JOINT CONNECTORS.

WIPER AND WASHER SYSTEM

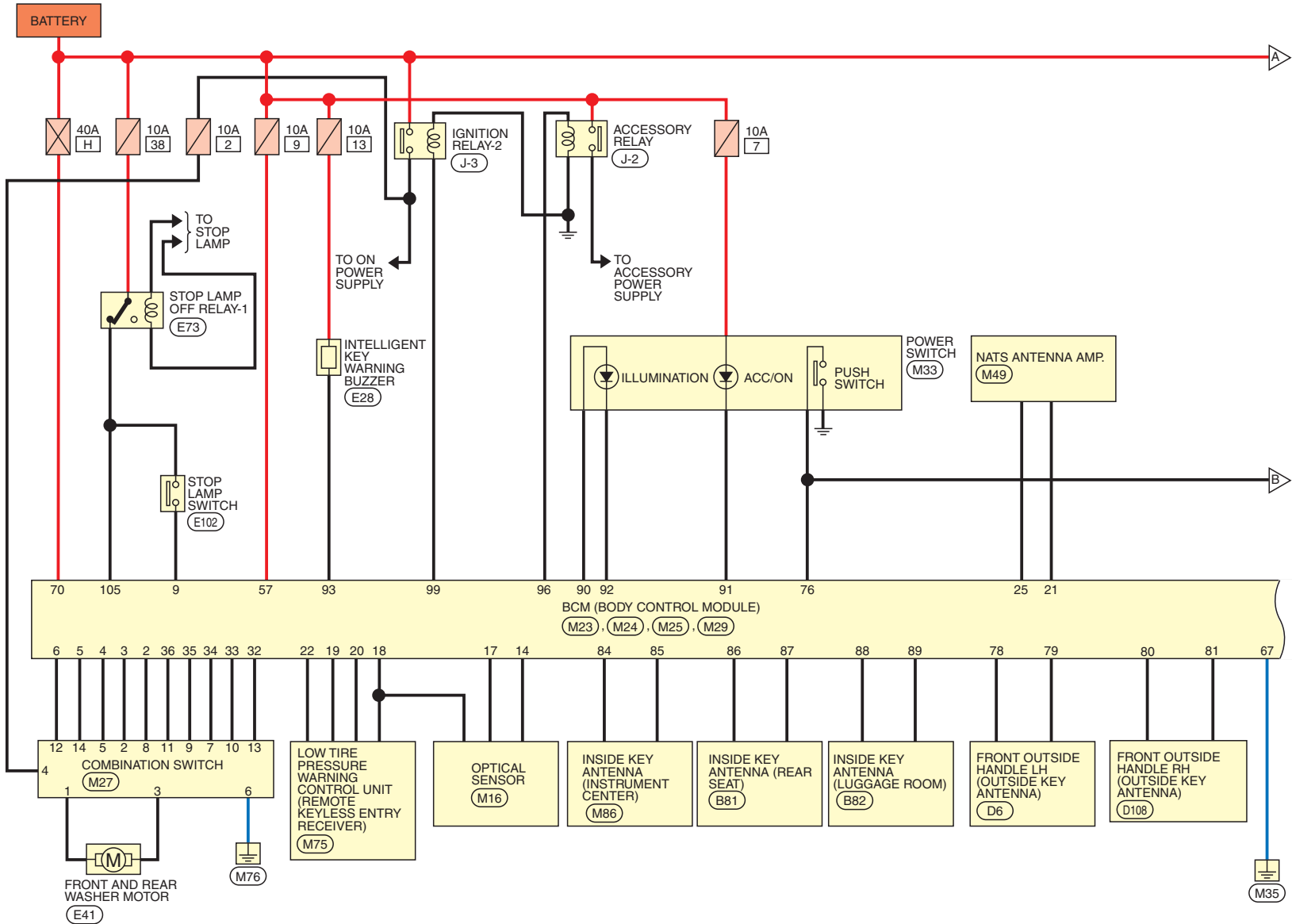
— — — — — : CAN COMMUNICATION LINE FOR DIAGNOSIS

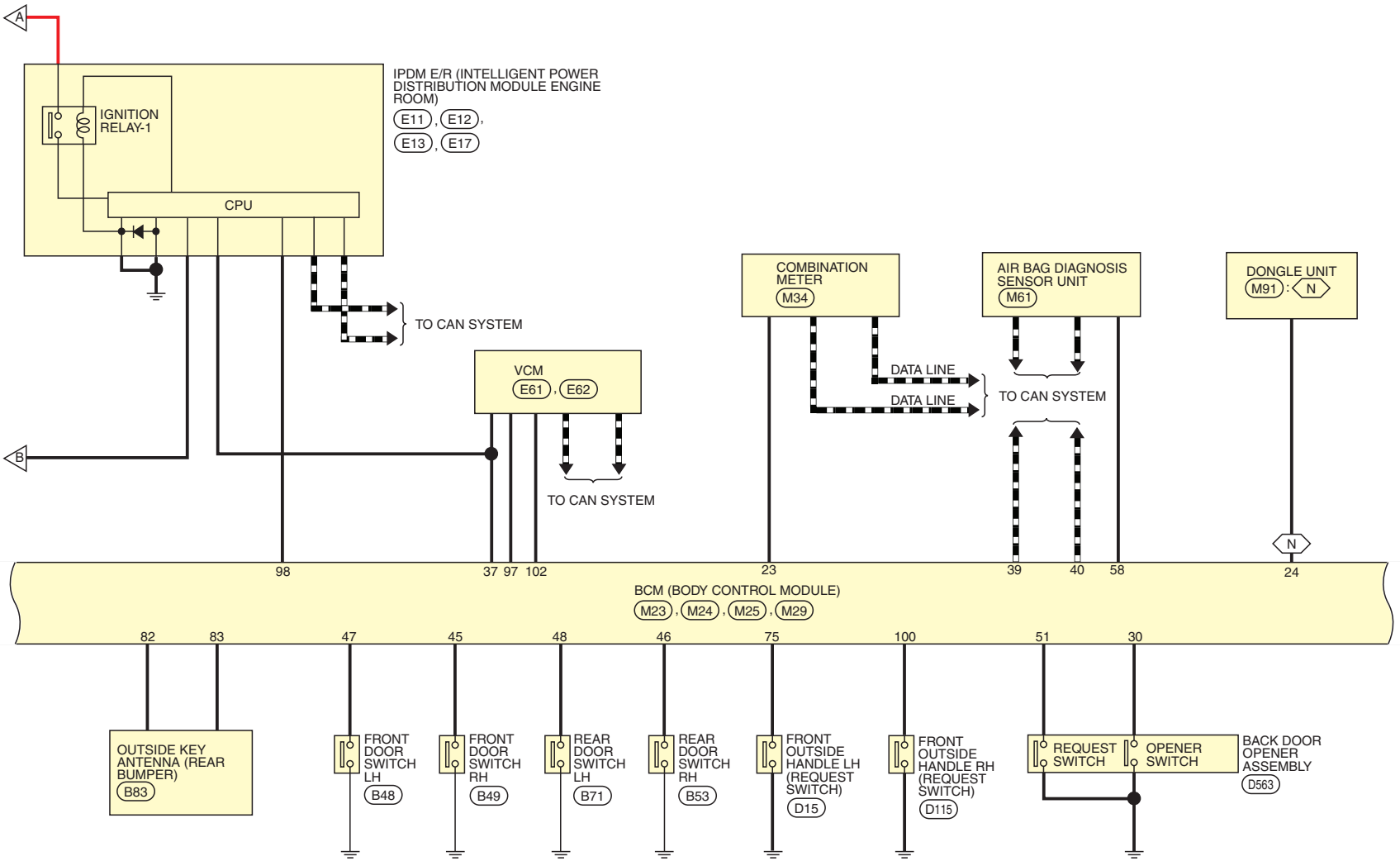
REFER TO POWER SUPPLY, GROUND & CIRCUIT ELEMENTS SECTION FOR COMPLETE POWER SUPPLY DETAIL.

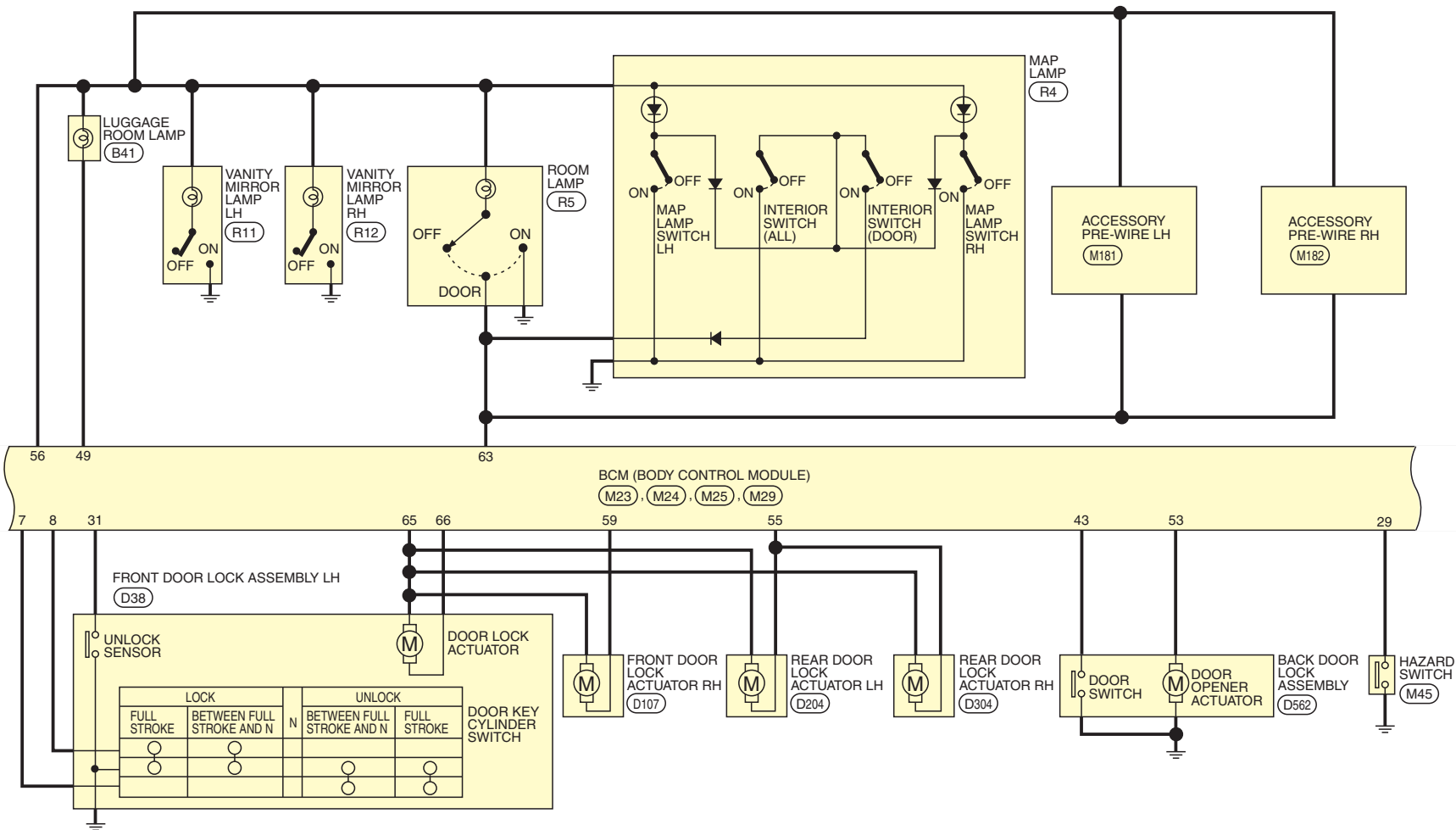


BCM (BODY CONTROL MODULE)

REFER TO POWER SUPPLY, GROUND & CIRCUIT ELEMENTS SECTION FOR COMPLETE POWER SUPPLY DETAIL.





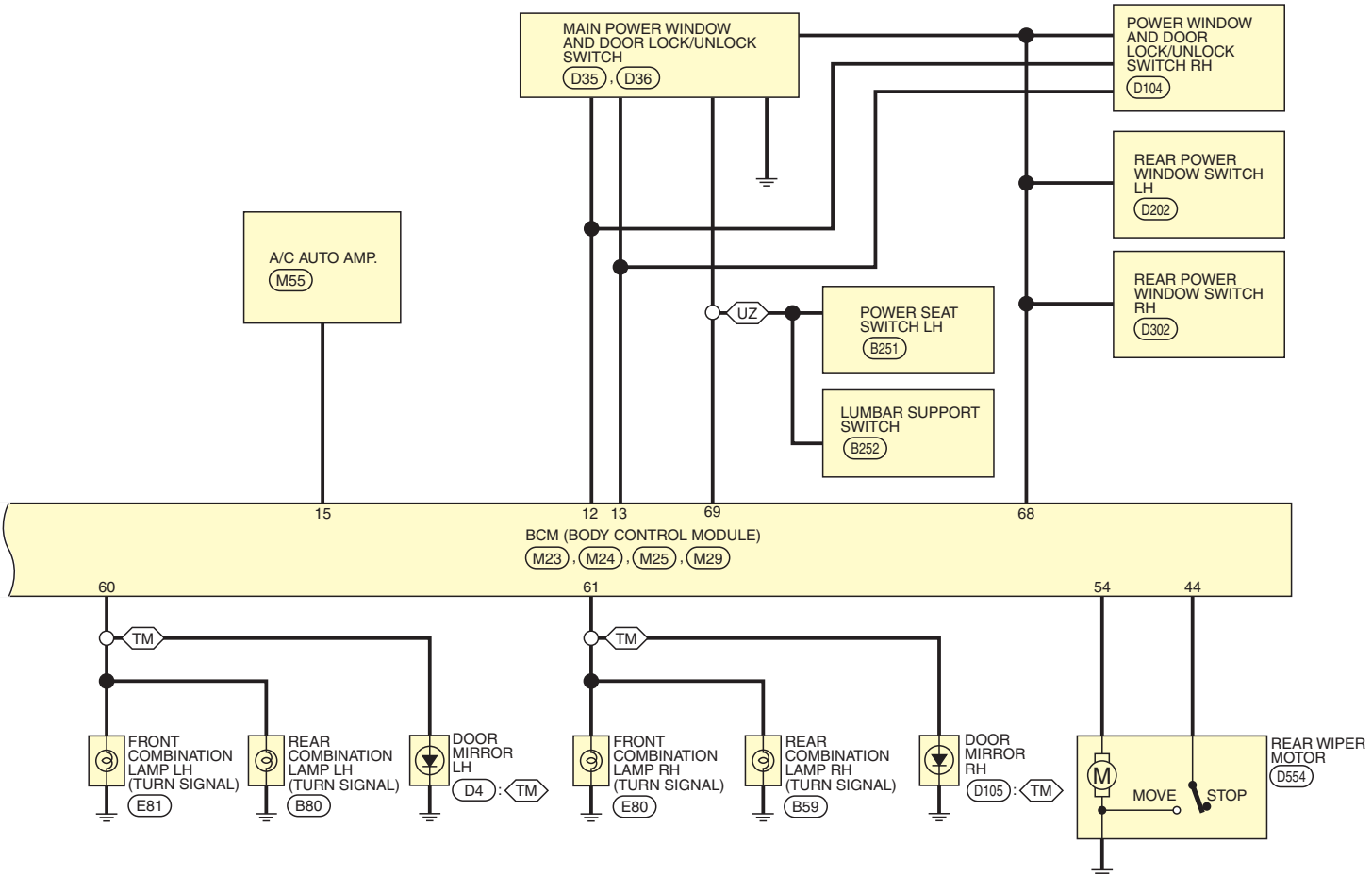


■ : CAN COMMUNICATION LINE FOR DIAGNOSIS

N : FOR CANADA

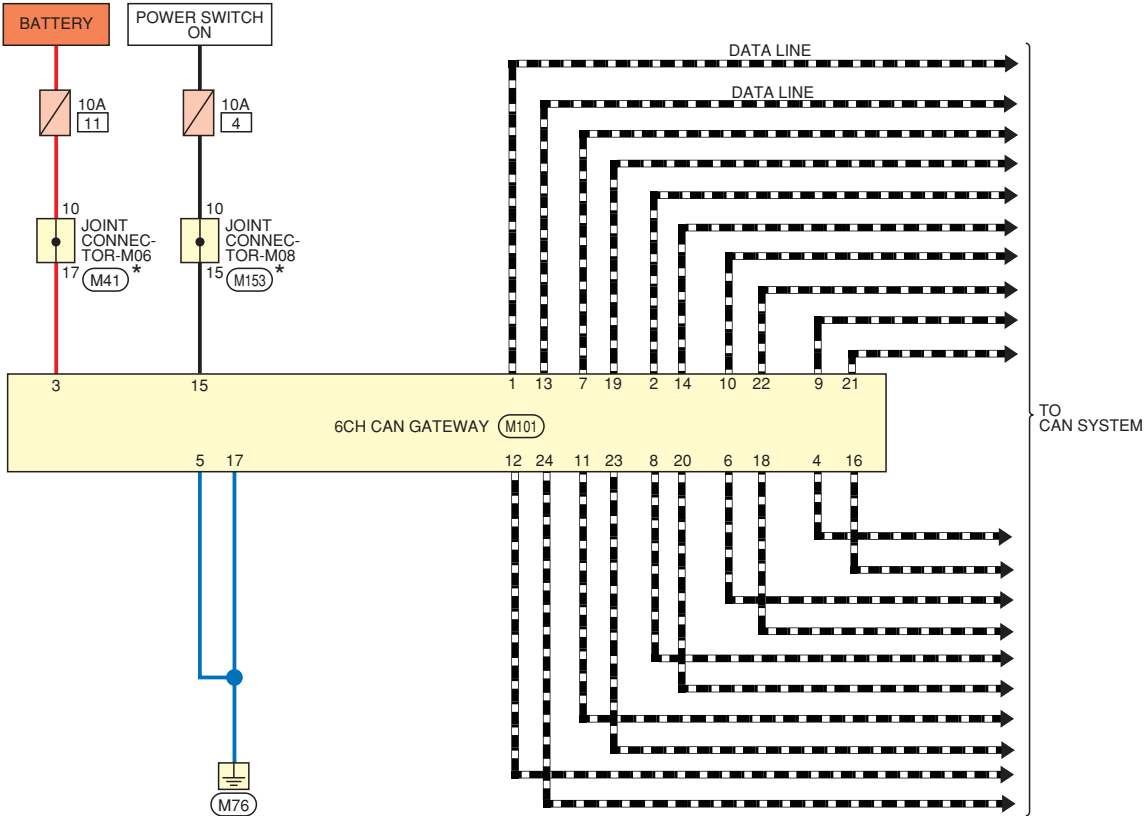
TM : WITH TURN SIGNAL IN MIRROR

UZ : WITH DRIVER POWER SEAT



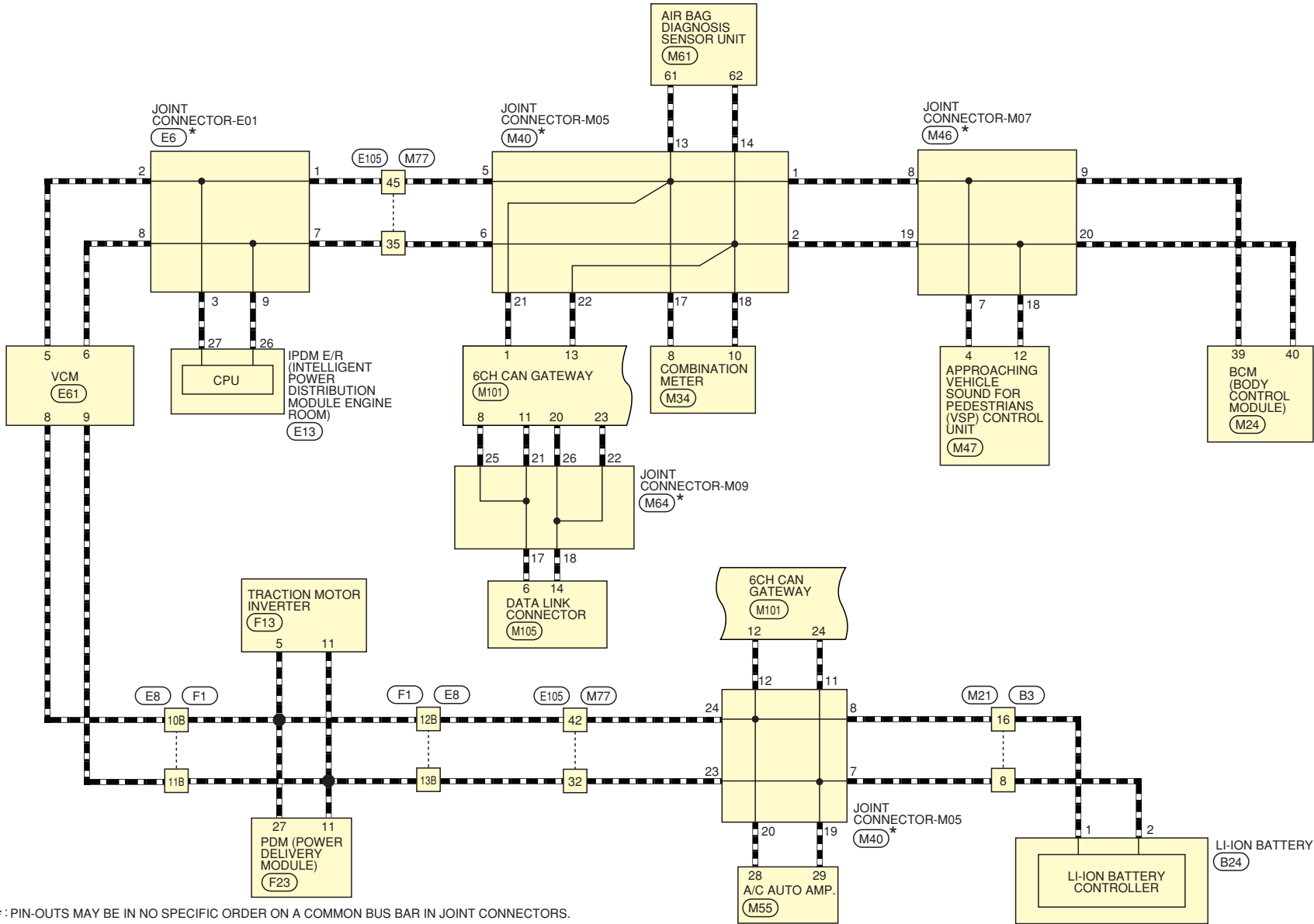
CAN GATEWAY SYSTEM

REFER TO POWER SUPPLY, GROUND & CIRCUIT ELEMENTS SECTION FOR COMPLETE POWER SUPPLY DETAIL.

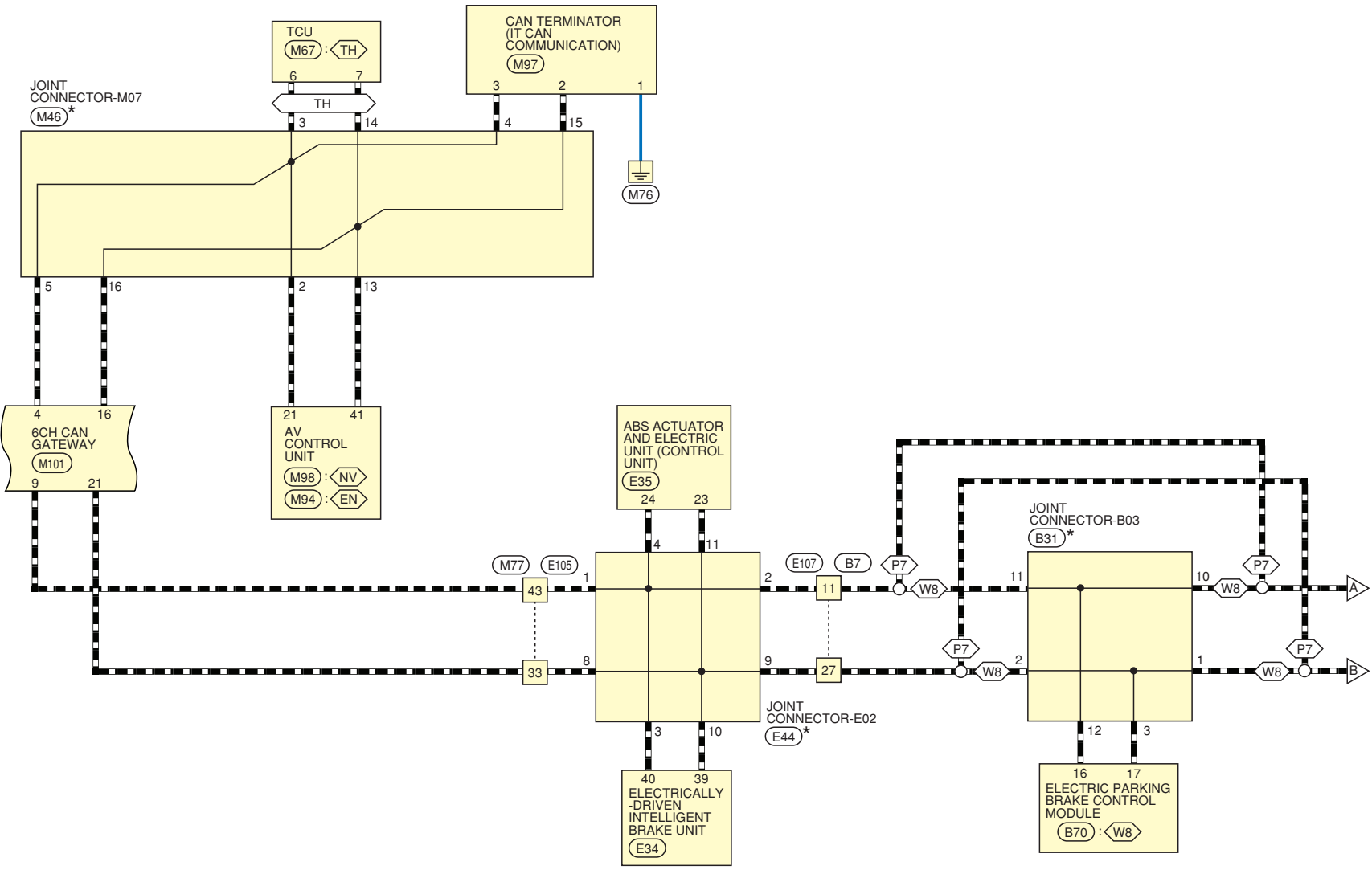


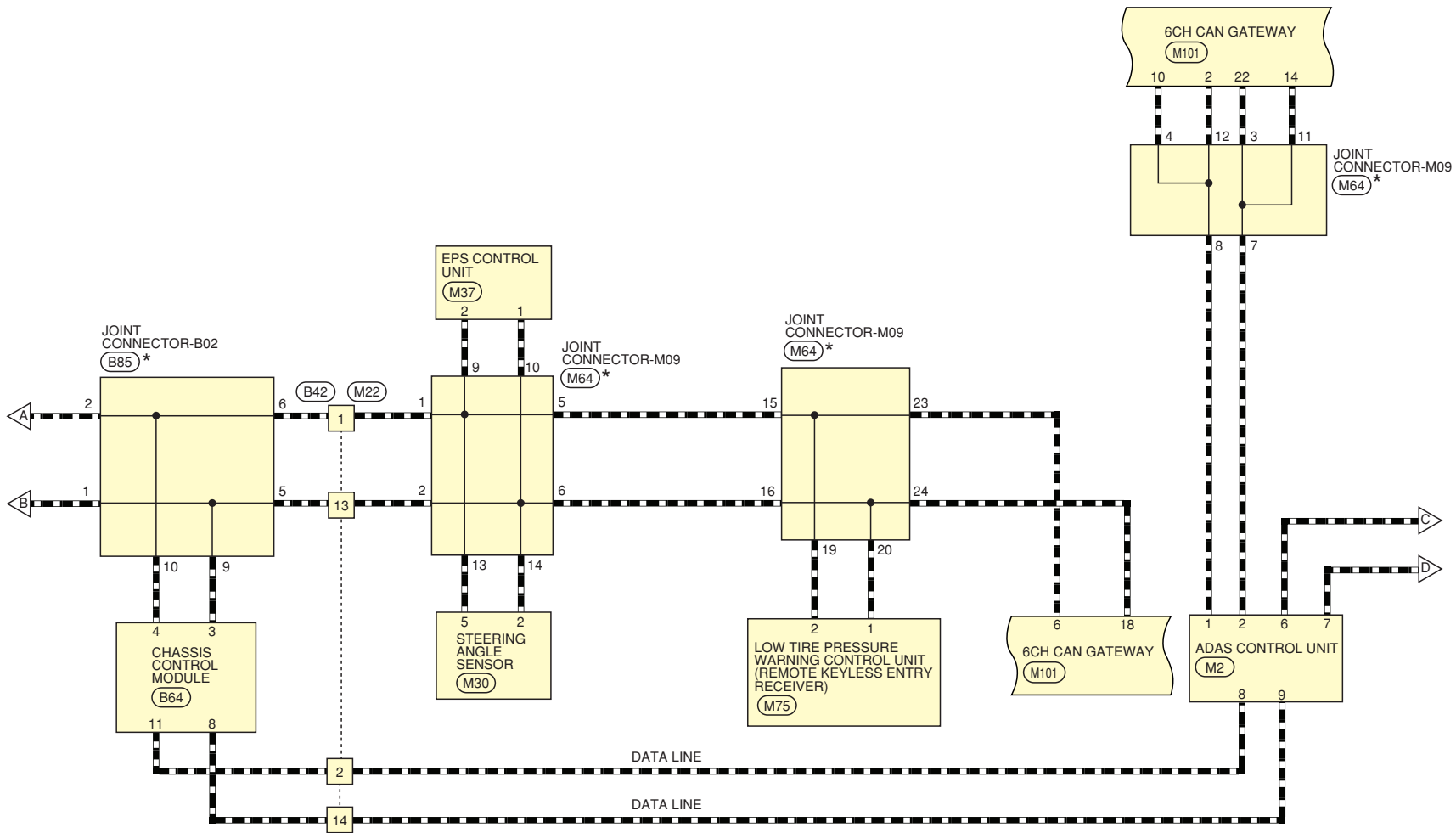
* : PIN-OUTS MAY BE IN NO SPECIFIC ORDER ON A COMMON BUS BAR IN JOINT CONNECTORS.

CAN SYSTEM

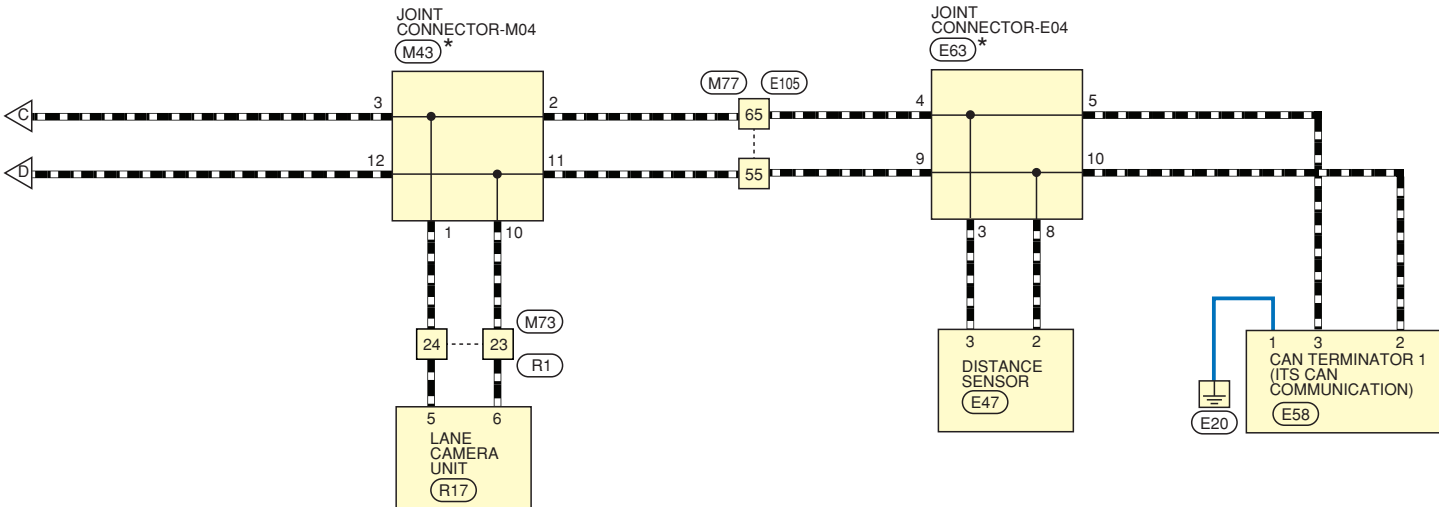
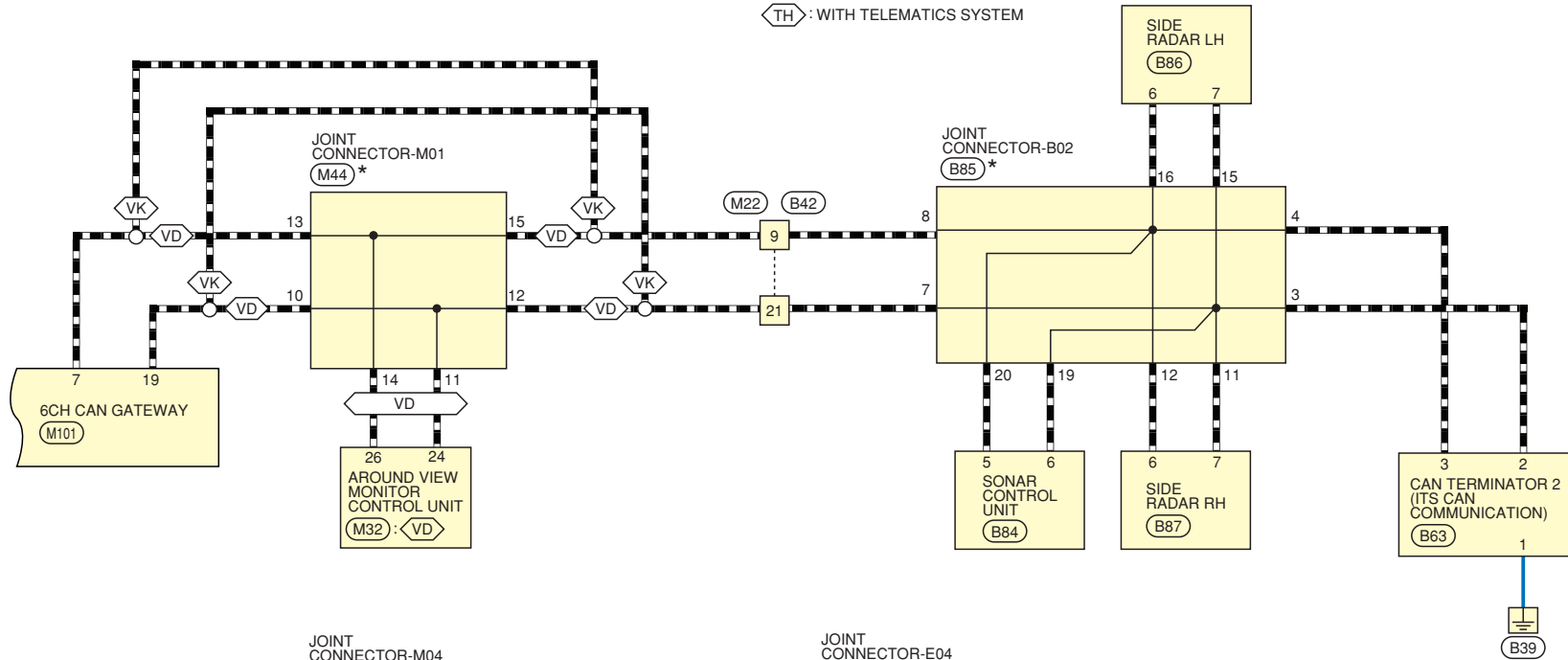


* : PIN-OUTS MAY BE IN NO SPECIFIC ORDER ON A COMMON BUS BAR IN JOINT CONNECTORS.





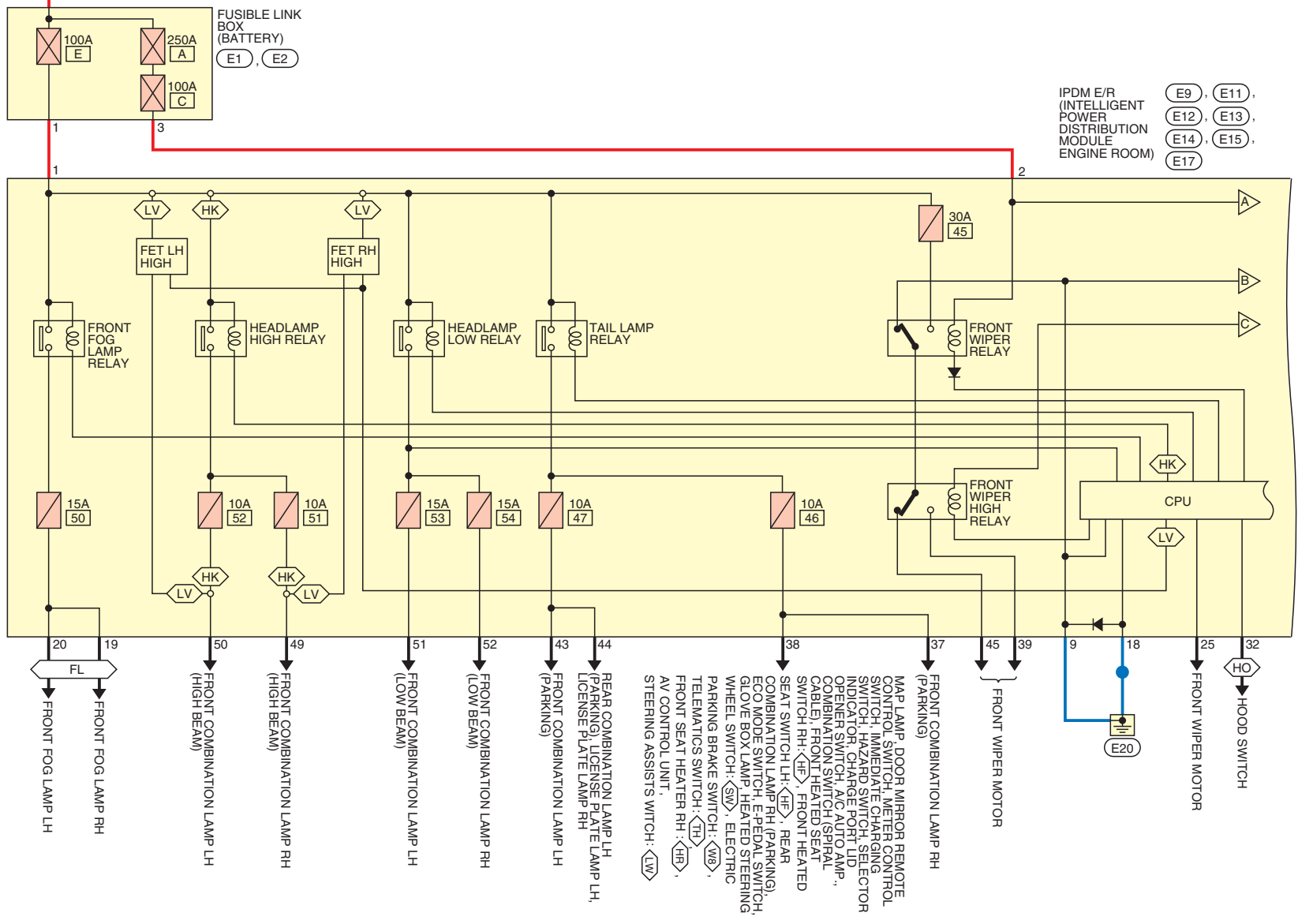
- EN : WITHOUT NAVIGATION SYSTEM
- NV : WITH NAVIGATION SYSTEM
- P7 : WITHOUT ELECTRIC PARKING BRAKE
- TH : WITH TELEMATICS SYSTEM
- VD : WITH INTELLIGENT AROUND VIEW MONITOR
- VK : WITHOUT INTELLIGENT AROUND VIEW MONITOR
- W8 : WITH ELECTRIC PARKING BRAKE



IPDM E/R (INTELLIGENT POWER DISTRIBUTION MODULE ENGINE ROOM)

BATTERY

REFER TO POWER SUPPLY, GROUND & CIRCUIT ELEMENTS SECTION FOR COMPLETE POWER SUPPLY DETAIL.



▬ : CAN COMMUNICATION LINE FOR DIAGNOSIS

◊FL◊ : WITH FRONT FOG LAMPS

◊HF◊ : WITH FRONT HEATED SEATS

◊HK◊ : WITH HALOGEN HEADLAMPS

◊HO◊ : WITH HOOD SWITCH

◊HR◊ : WITH REAR HEATED SEATS

◊LV◊ : WITH LED HEADLAMPS

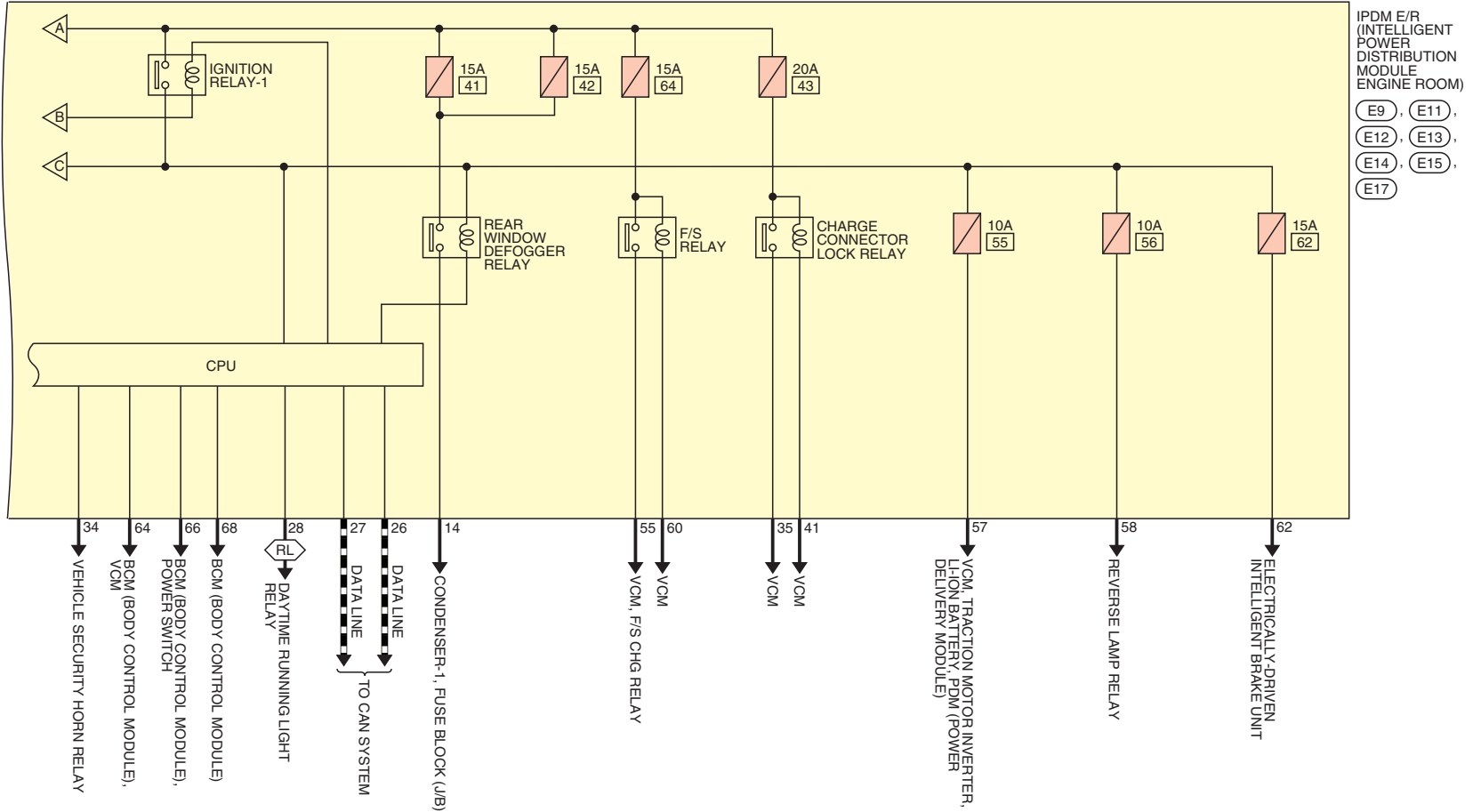
◊LW◊ : WITH INTELLIGENT LANE INTERVENTION SYSTEM

◊RL◊ : WITH DAYTIME RUNNING LIGHT SYSTEM

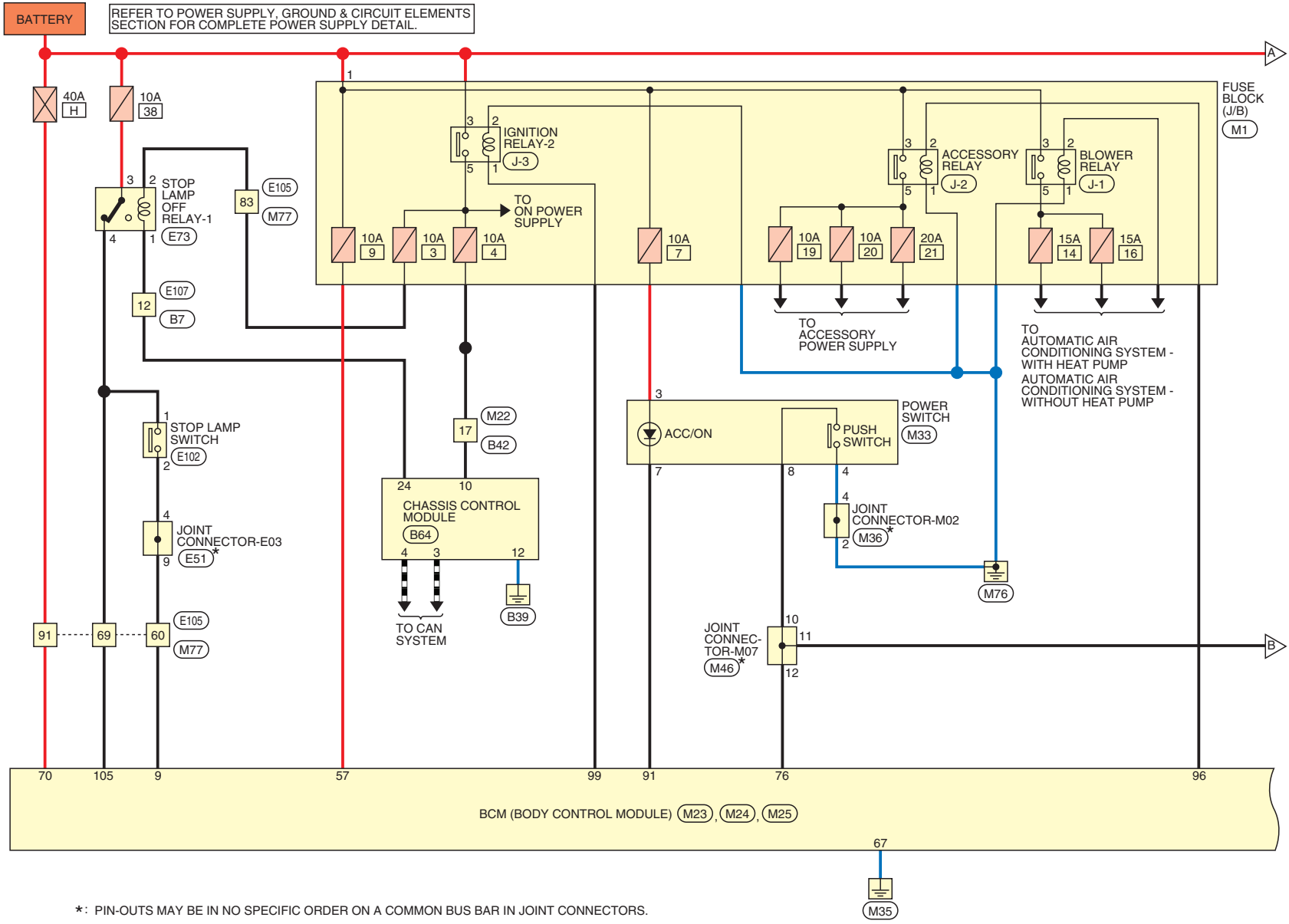
◊SW◊ : WITH HEATED STEERING WHEEL

◊TH◊ : WITH TELEMATICS SYSTEM

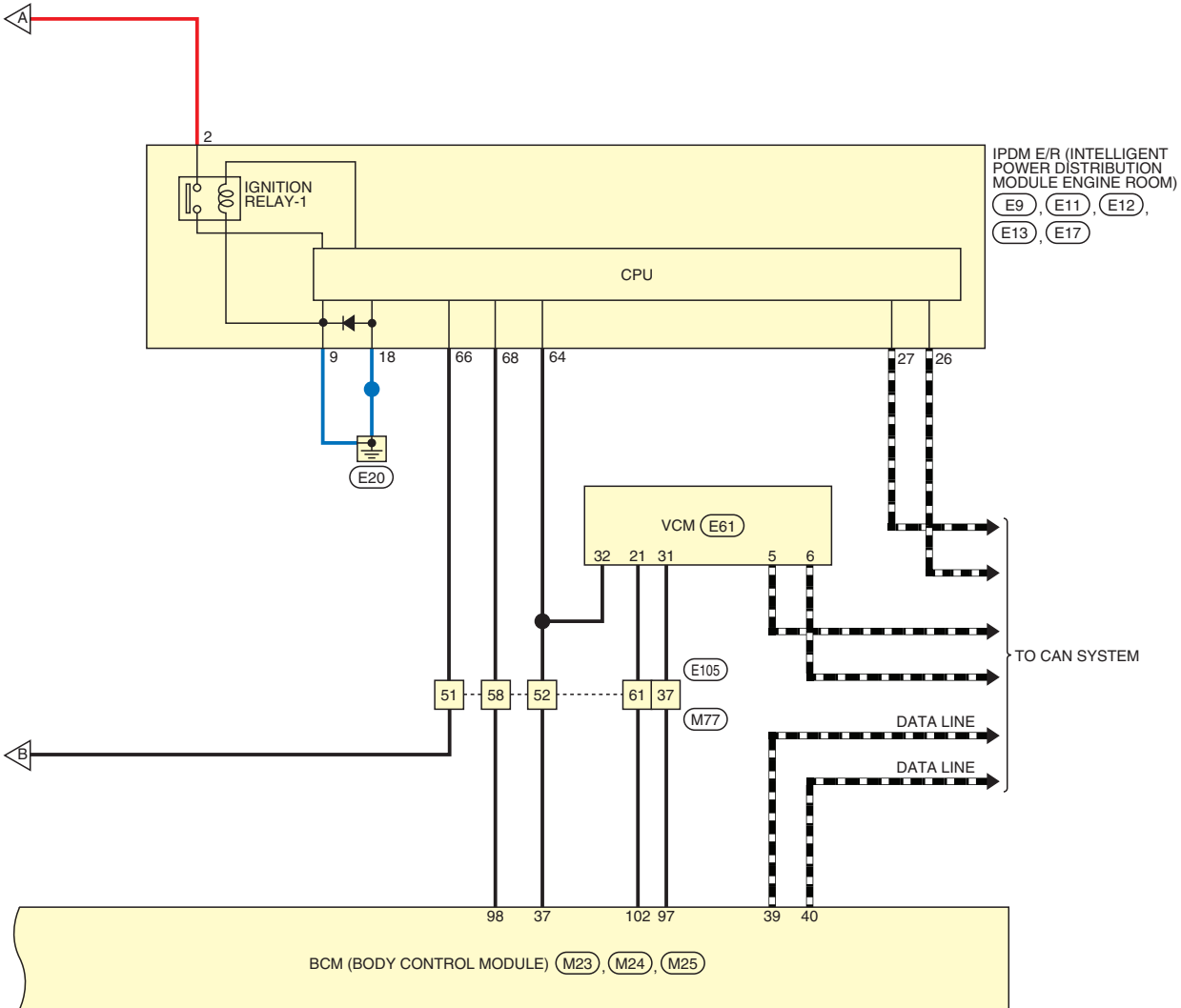
◊WB◊ : WITH ELECTRIC PARKING BRAKE



POWER DISTRIBUTION SYSTEM

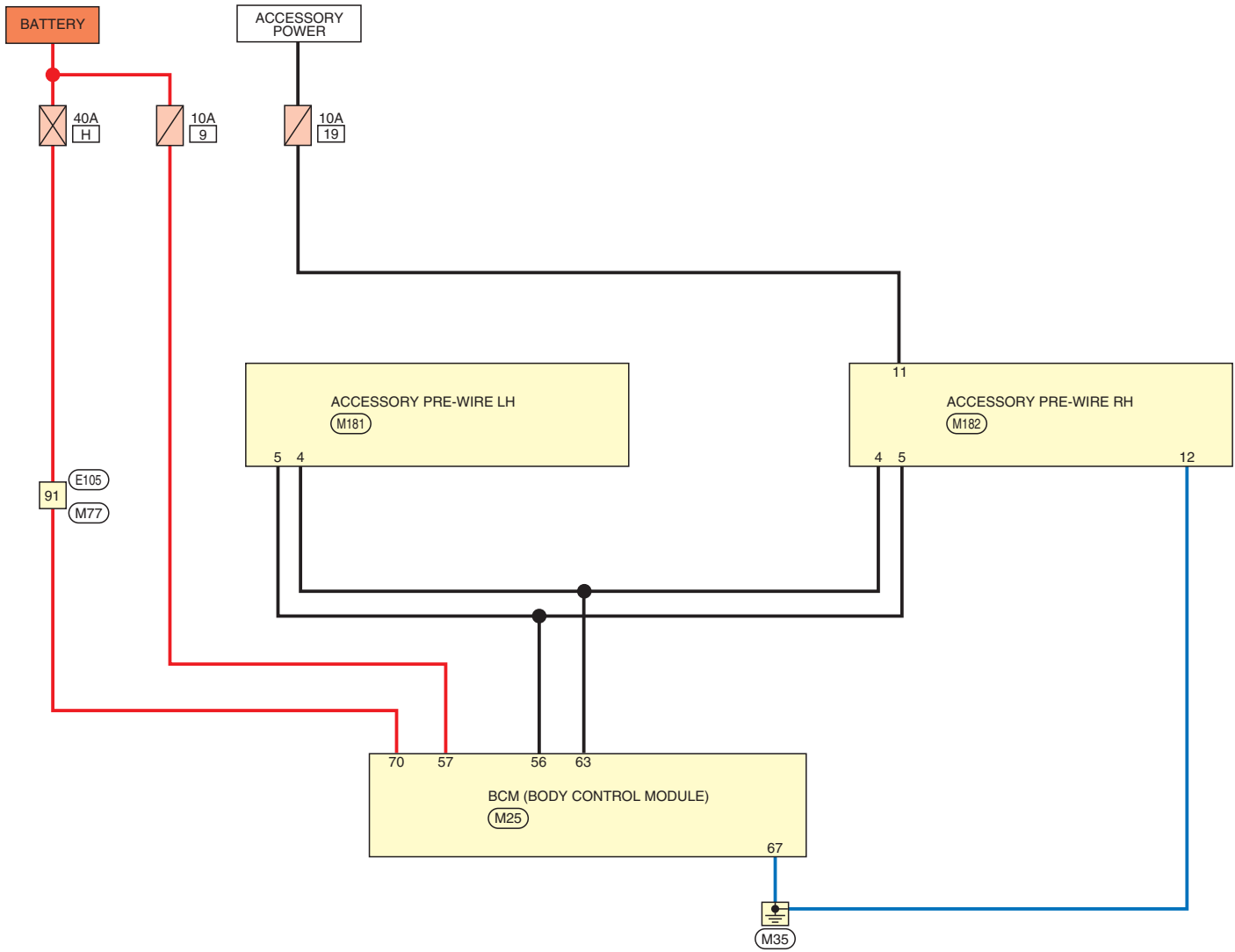


*: PIN-OUTS MAY BE IN NO SPECIFIC ORDER ON A COMMON BUS BAR IN JOINT CONNECTORS.



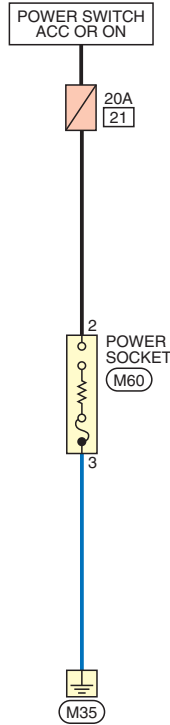
ACCESSORY PRE-WIRE

REFER TO POWER SUPPLY, GROUND & CIRCUIT ELEMENTS SECTION FOR COMPLETE POWER SUPPLY DETAIL.



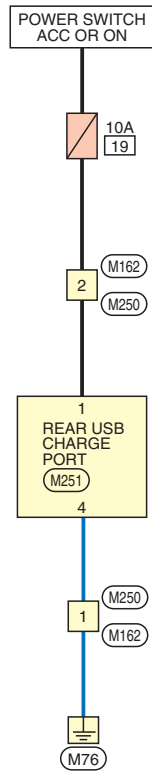
POWER SOCKET

REFER TO POWER SUPPLY, GROUND & CIRCUIT ELEMENTS SECTION FOR COMPLETE POWER SUPPLY DETAIL.

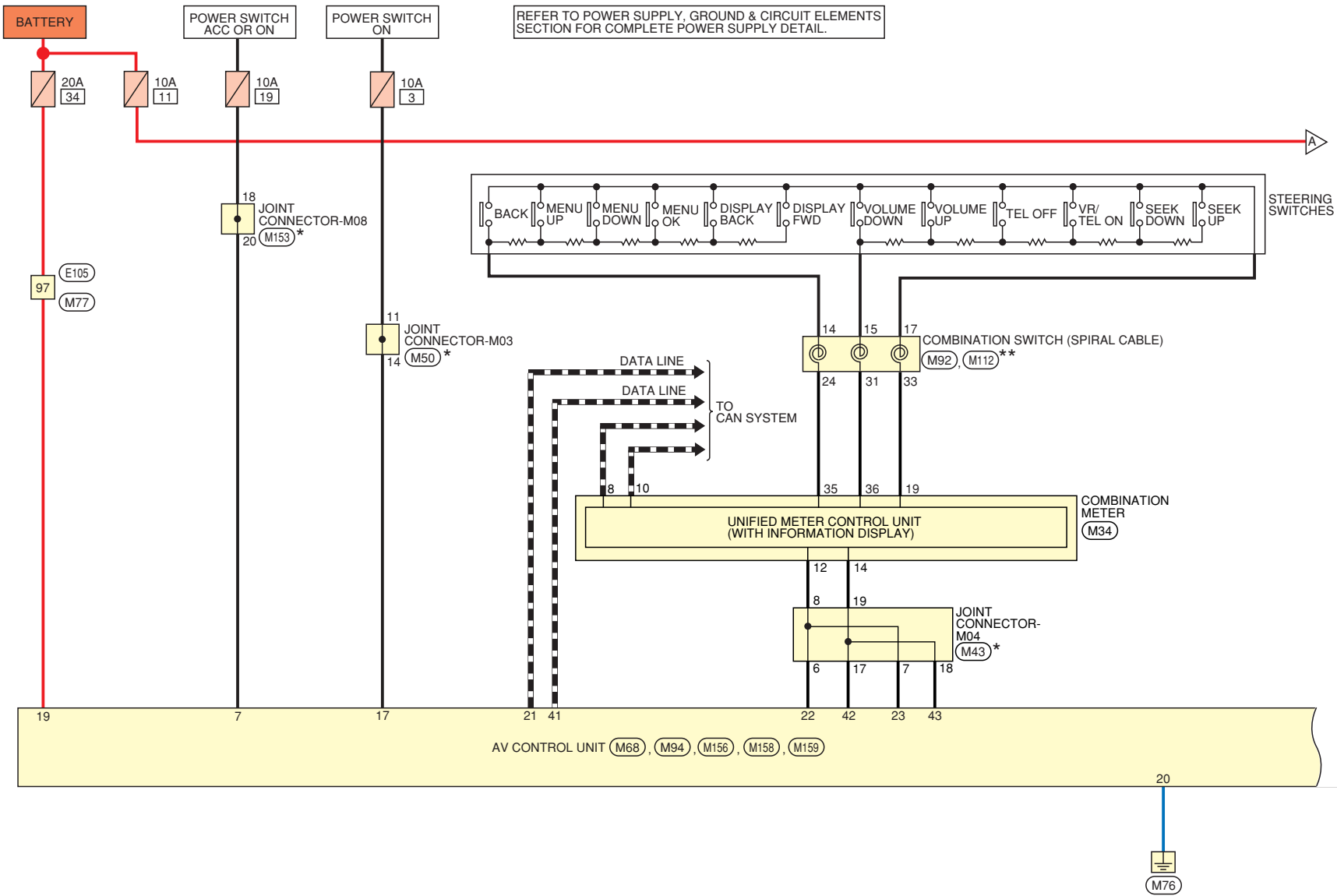


USB SOCKET

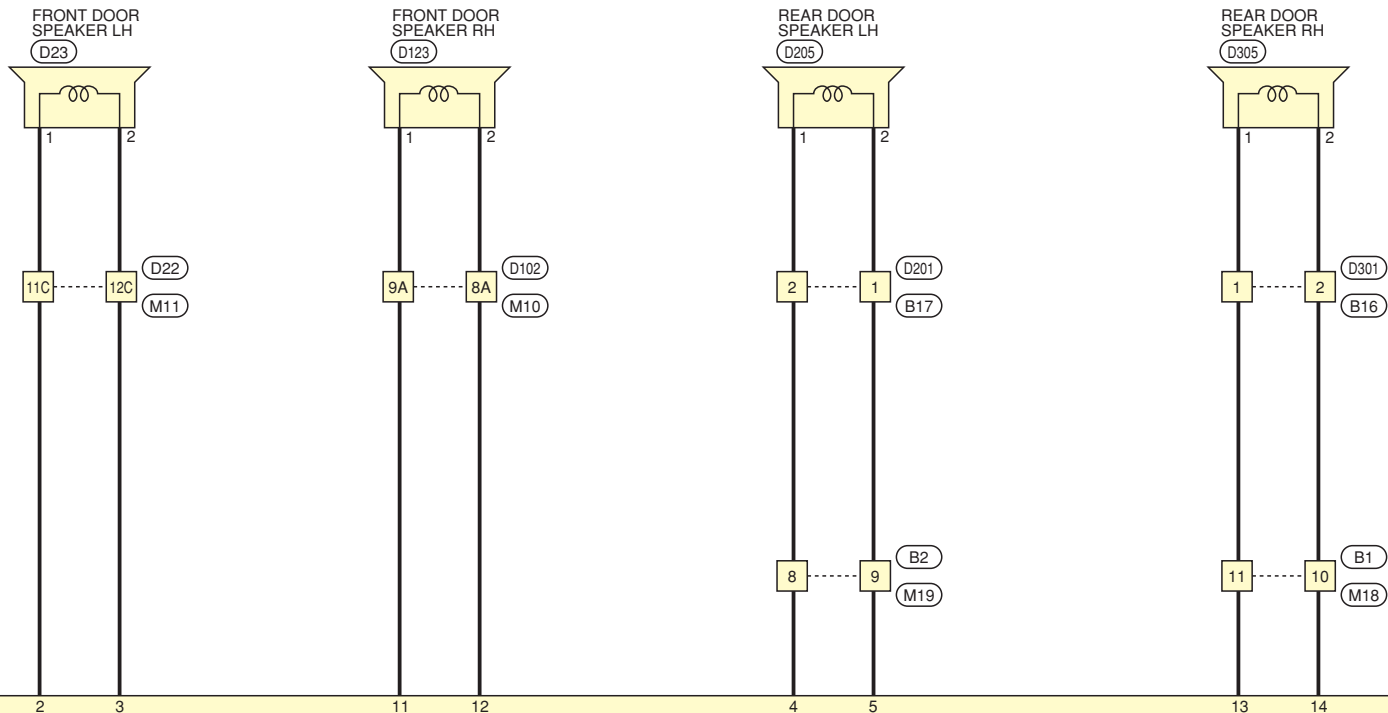
REFER TO POWER SUPPLY, GROUND & CIRCUIT ELEMENTS SECTION FOR COMPLETE POWER SUPPLY DETAIL.



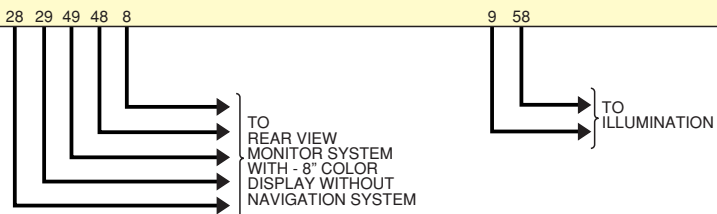
DISPLAY AUDIO SYSTEM - WITH 8" COLOR DISPLAY

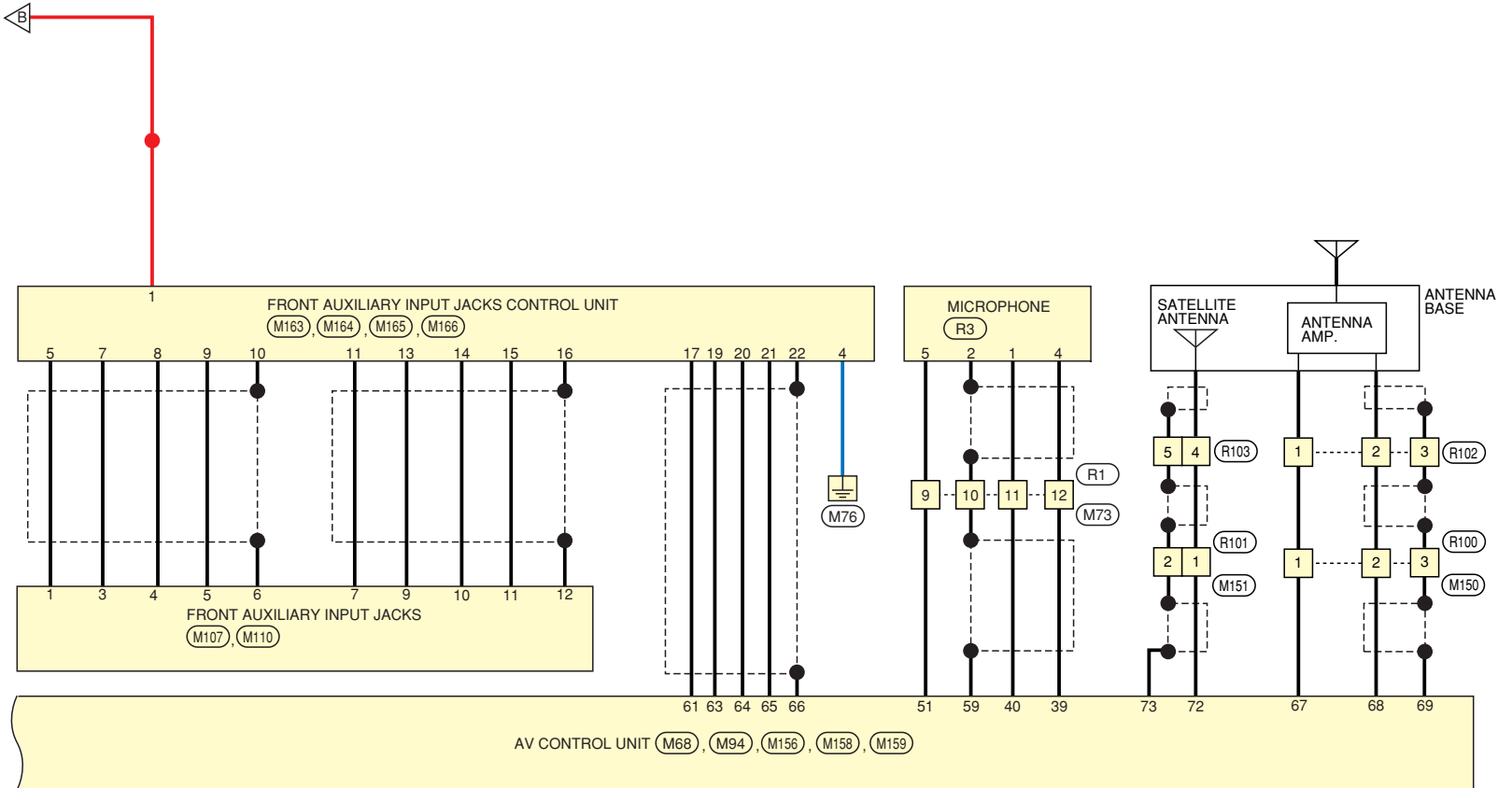


*: PIN-OUTS MAY BE IN NO SPECIFIC ORDER ON A COMMON BUS BAR IN JOINT CONNECTORS.
 **: THIS CONNECTOR IS NOT SHOWN IN "HARNESS LAYOUT" OF PG SECTION.



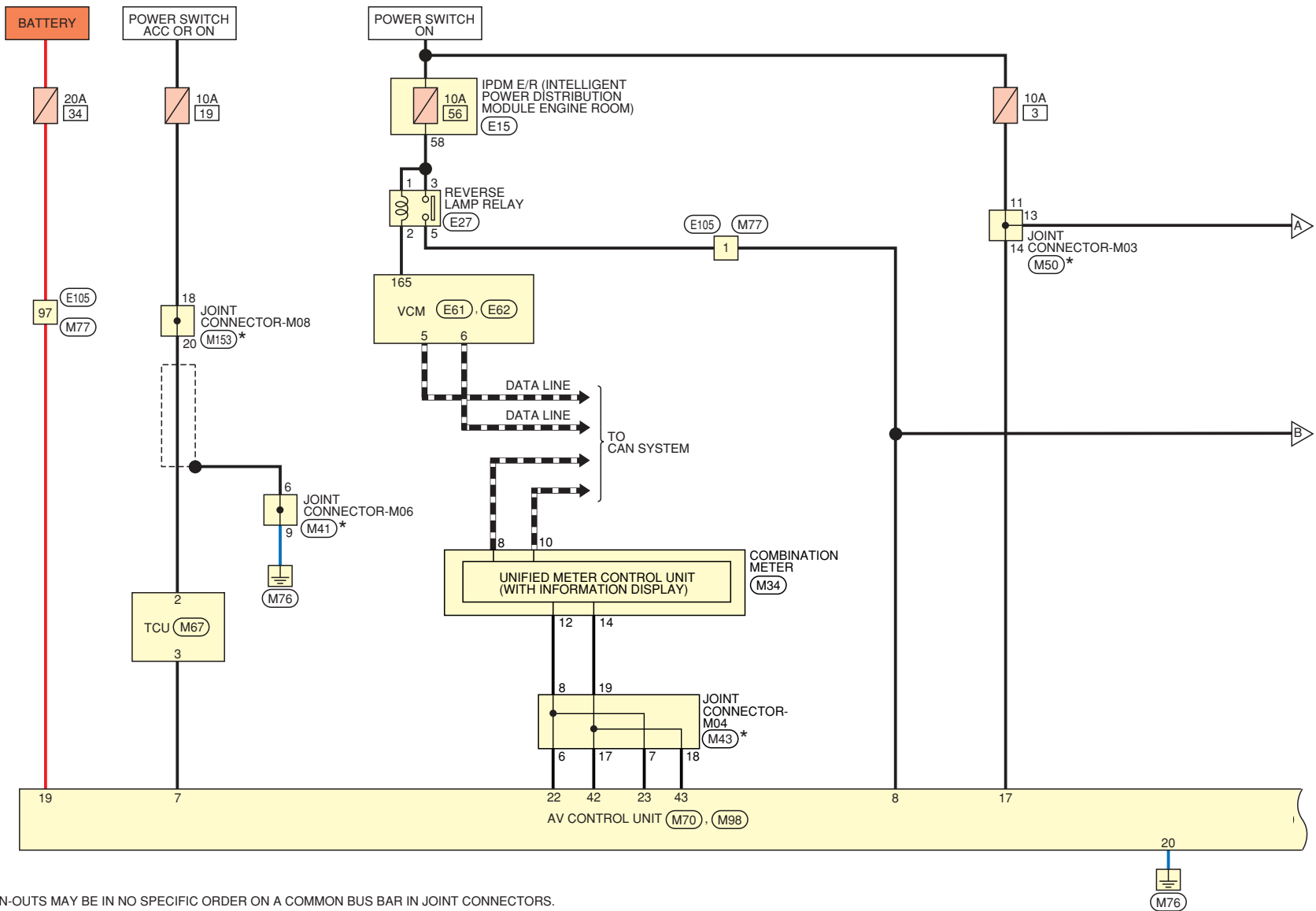
AV CONTROL UNIT (M68), (M94), (M156), (M158), (M159)



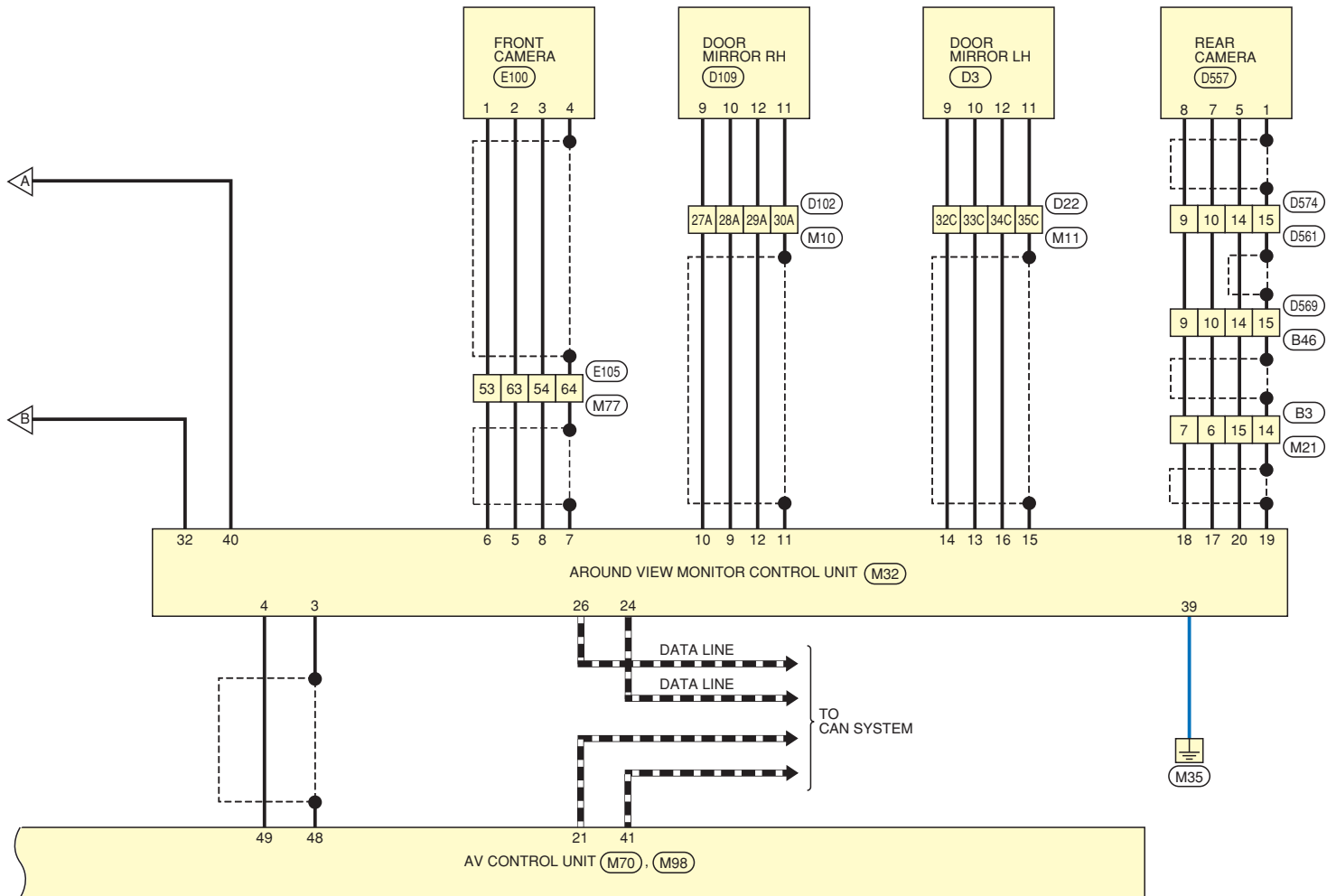


INTELLIGENT AROUND VIEW MONITOR SYSTEM - WITH 8" COLOR DISPLAY

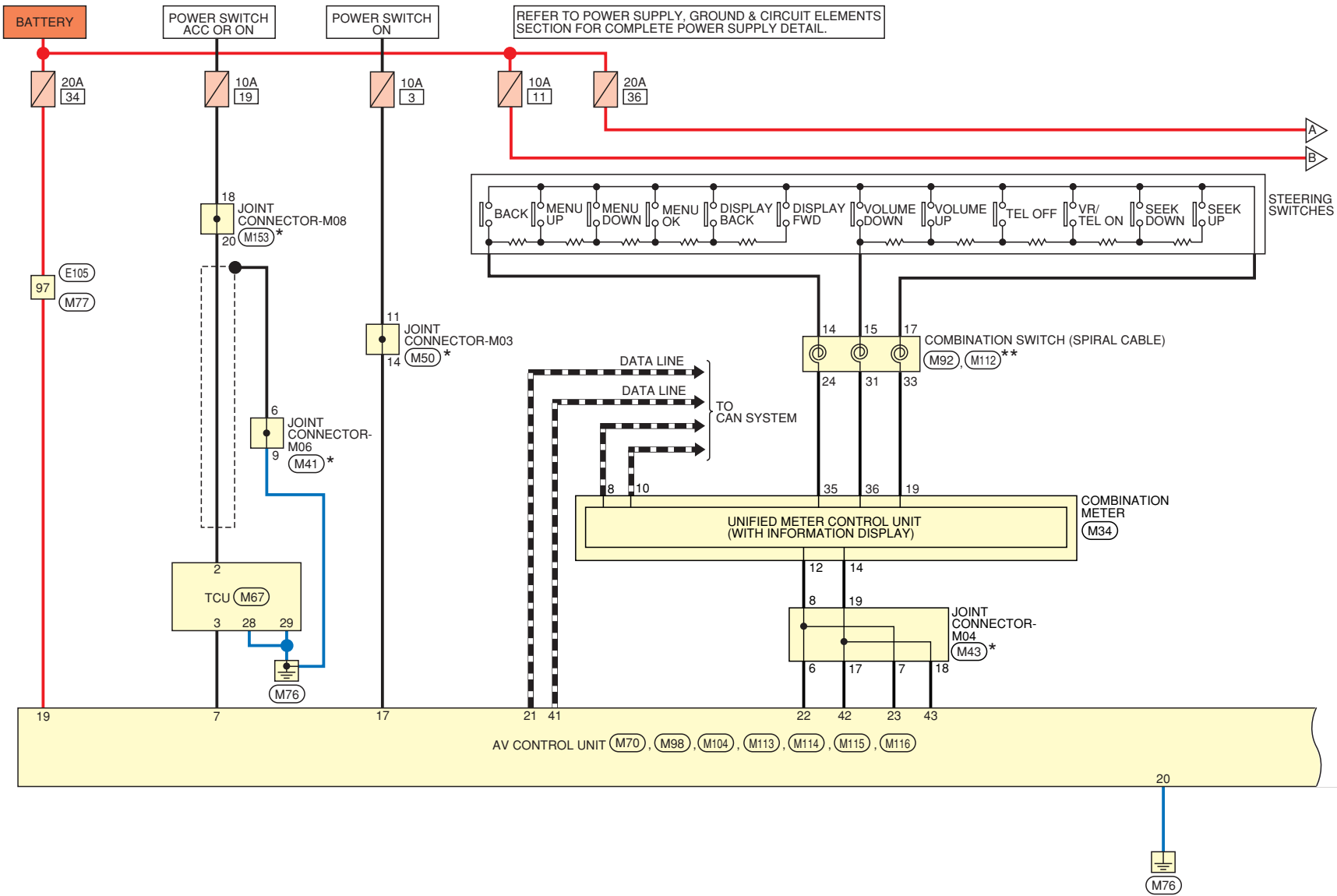
REFER TO POWER SUPPLY, GROUND & CIRCUIT ELEMENTS SECTION FOR COMPLETE POWER SUPPLY DETAIL.



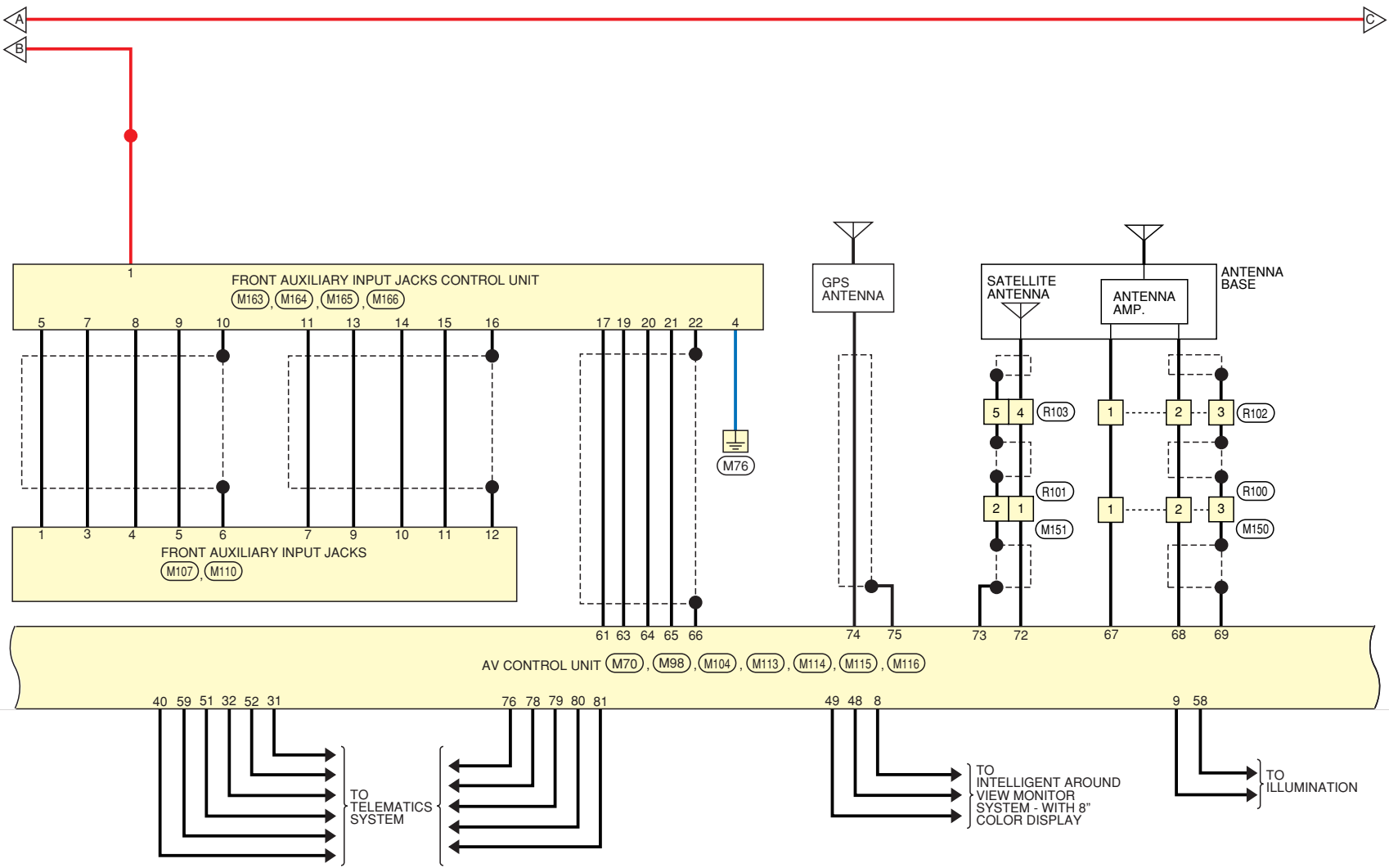
*: PIN-OUTS MAY BE IN NO SPECIFIC ORDER ON A COMMON BUS BAR IN JOINT CONNECTORS.

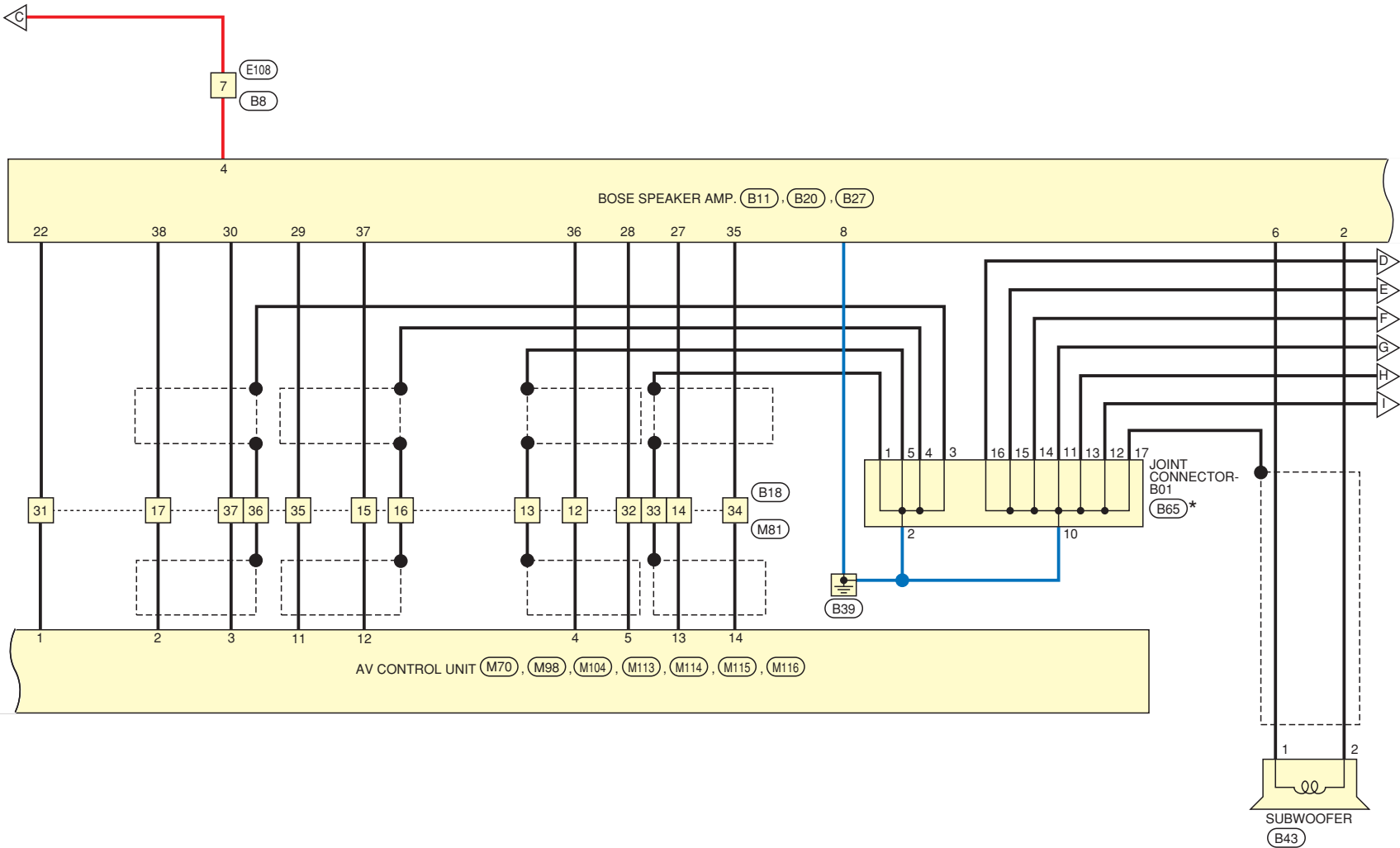


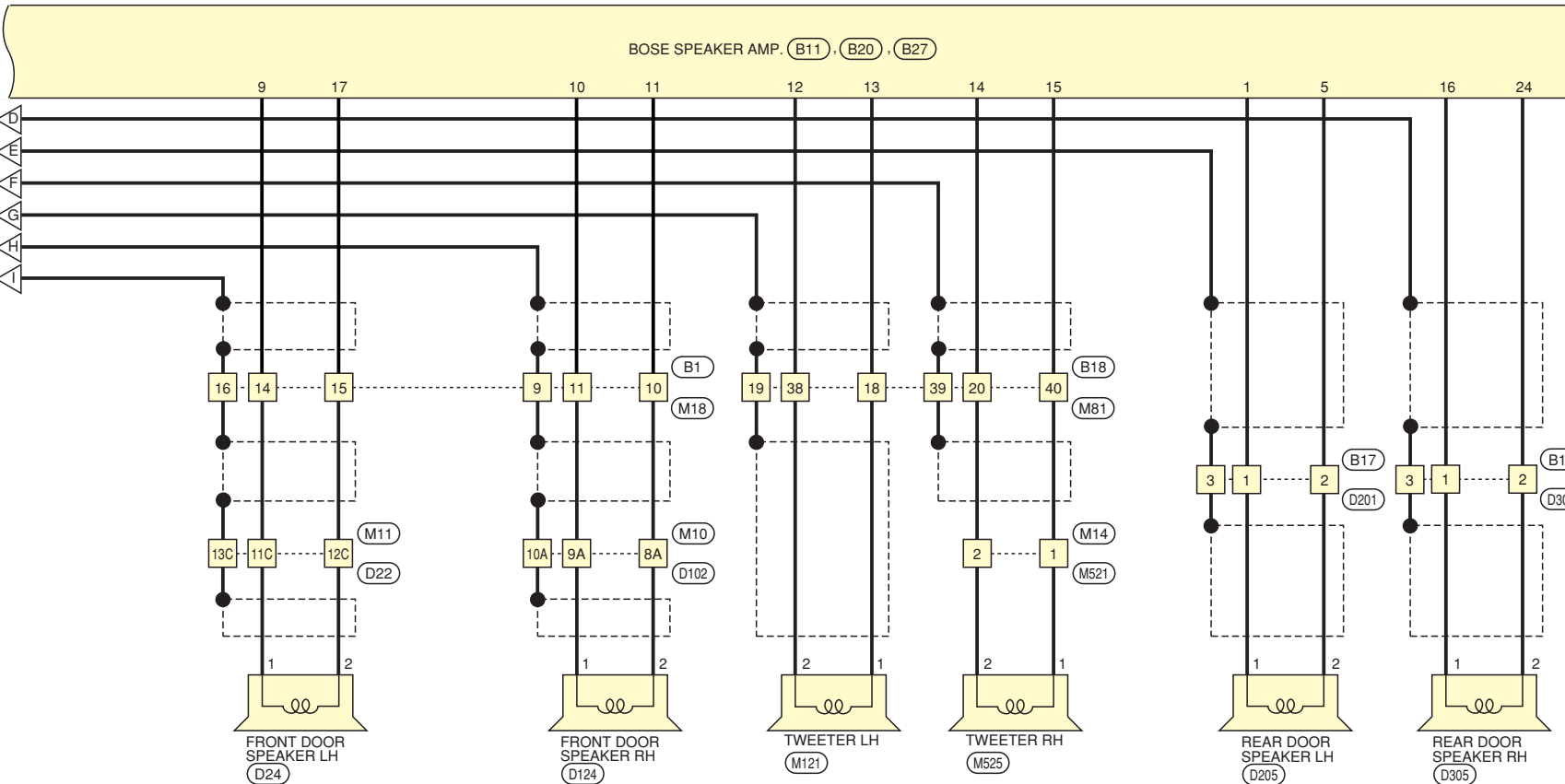
NAVIGATION SYSTEM - WITH BOSE AUDIO SYSTEM AND 8" COLOR DISPLAY



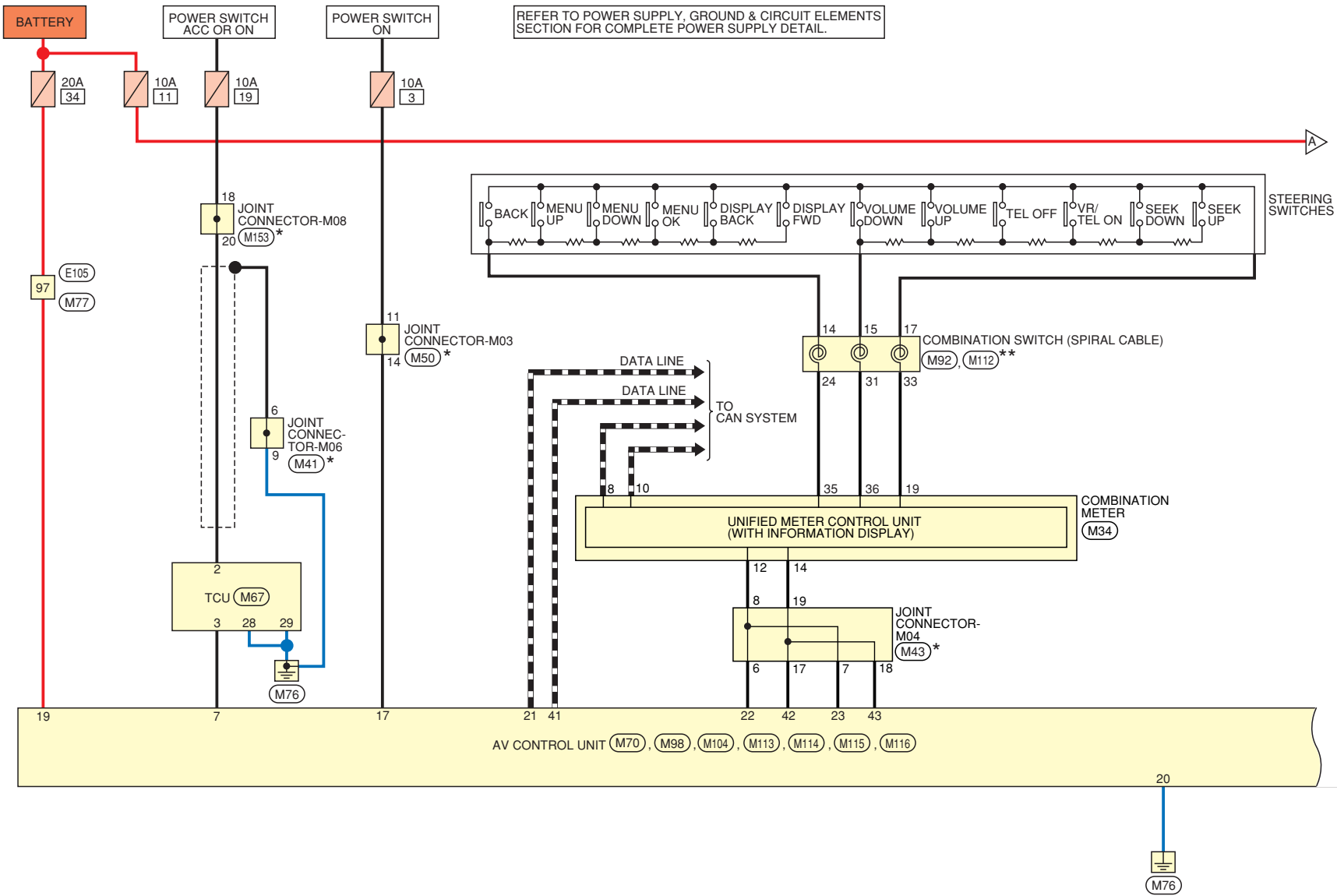
*: PIN-OUTS MAY BE IN NO SPECIFIC ORDER ON A COMMON BUS BAR IN JOINT CONNECTORS.
 **: THIS CONNECTOR IS NOT SHOWN IN "HARNESS LAYOUT" OF PG SECTION.





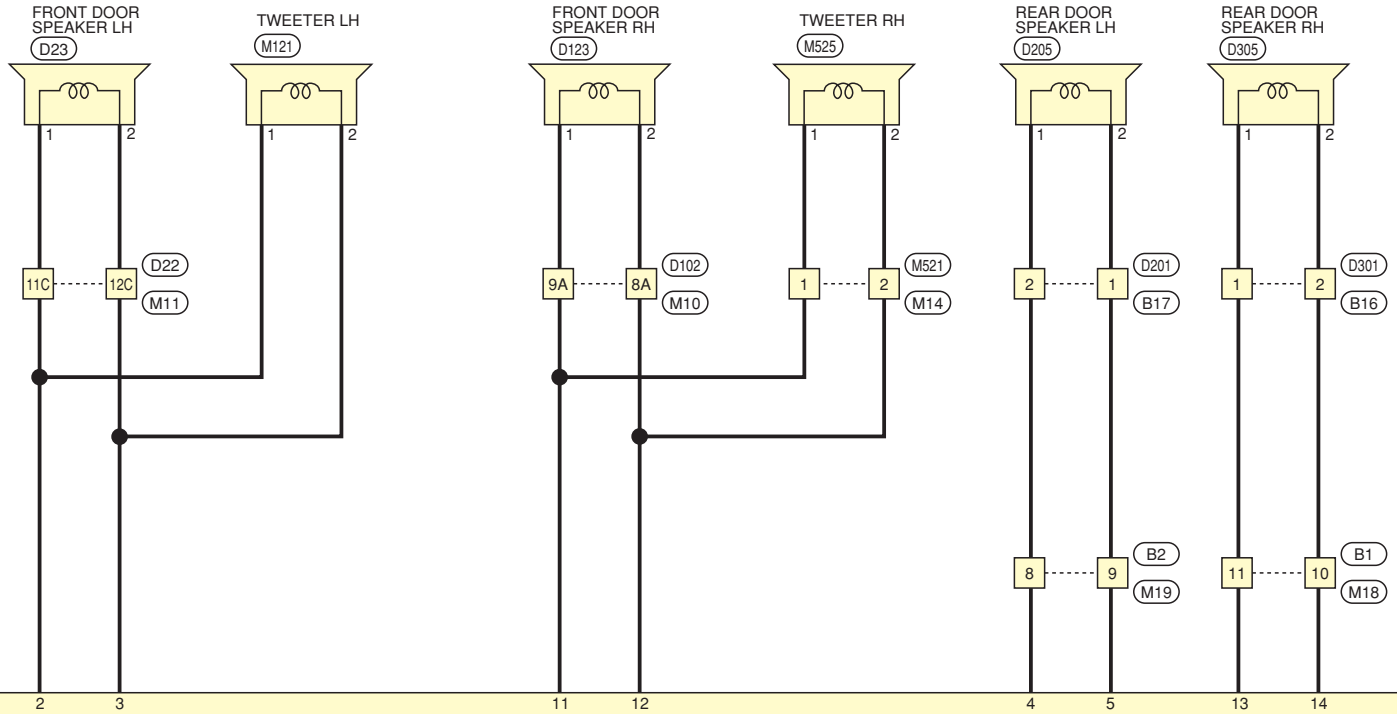


NAVIGATION SYSTEM - WITHOUT BOSE AUDIO SYSTEM WITH 8" COLOR DISPLAY

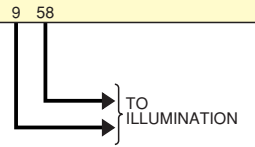
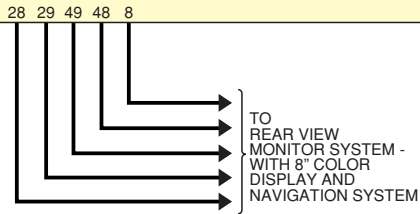
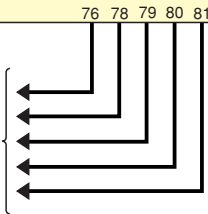
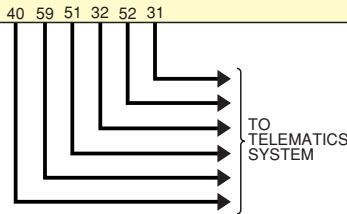


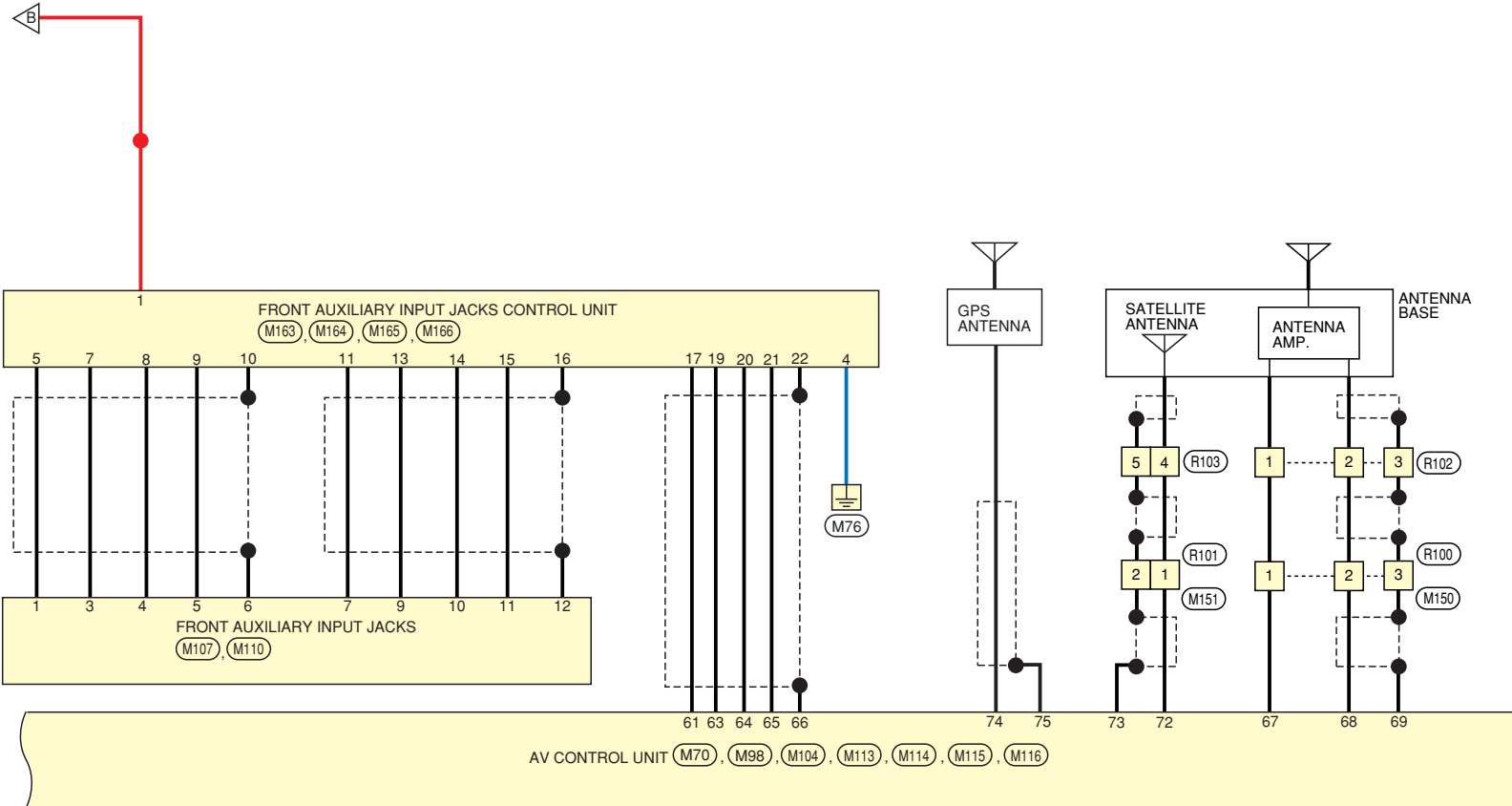
REFER TO POWER SUPPLY, GROUND & CIRCUIT ELEMENTS SECTION FOR COMPLETE POWER SUPPLY DETAIL.

*: PIN-OUTS MAY BE IN NO SPECIFIC ORDER ON A COMMON BUS BAR IN JOINT CONNECTORS.
 **: THIS CONNECTOR IS NOT SHOWN IN "HARNESS LAYOUT" OF PG SECTION.



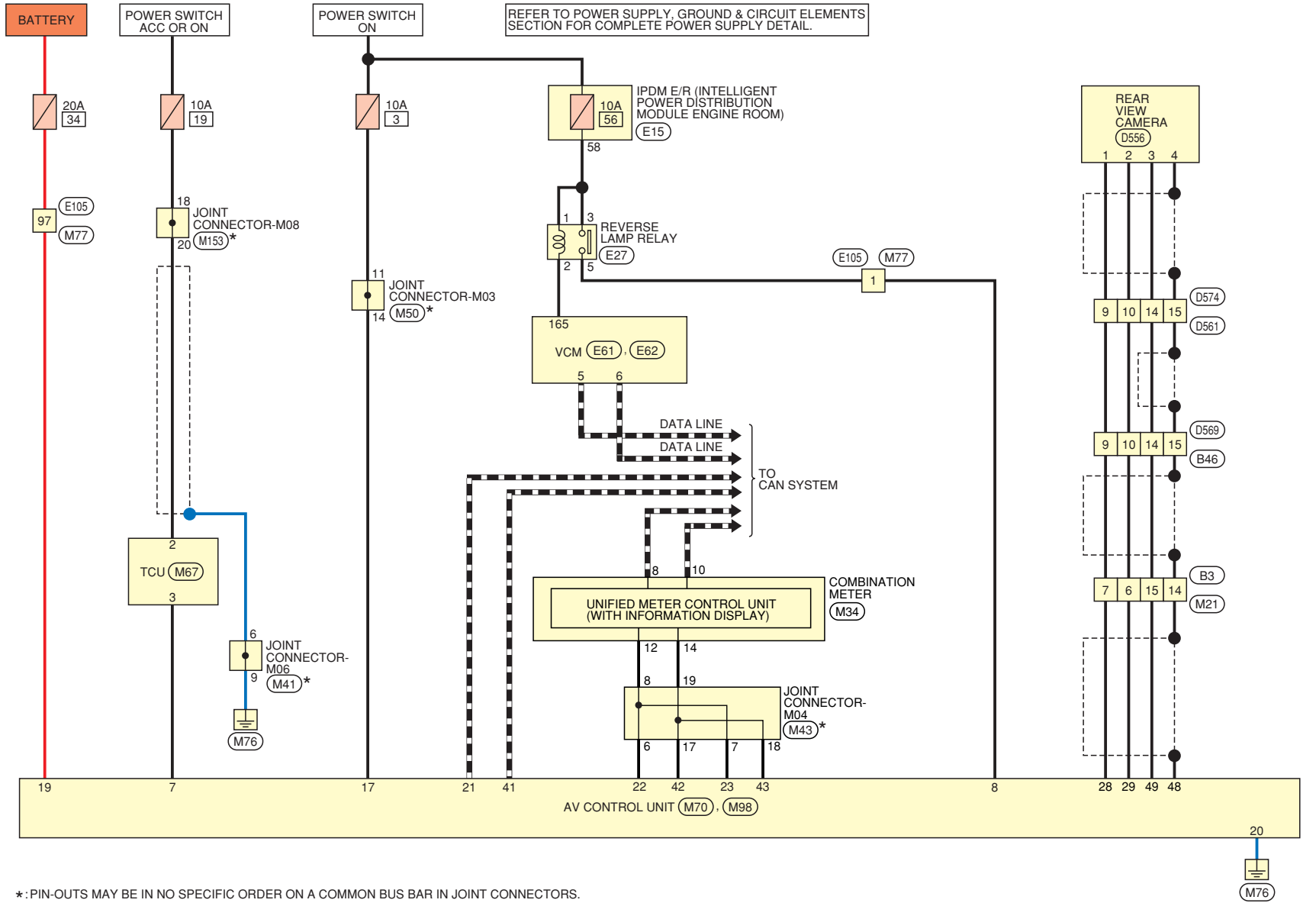
AV CONTROL UNIT (M70, M98, M104, M113, M114, M115, M116)





REAR VIEW MONITOR SYSTEM - WITH 8" COLOR DISPLAY AND NAVIGATION SYSTEM

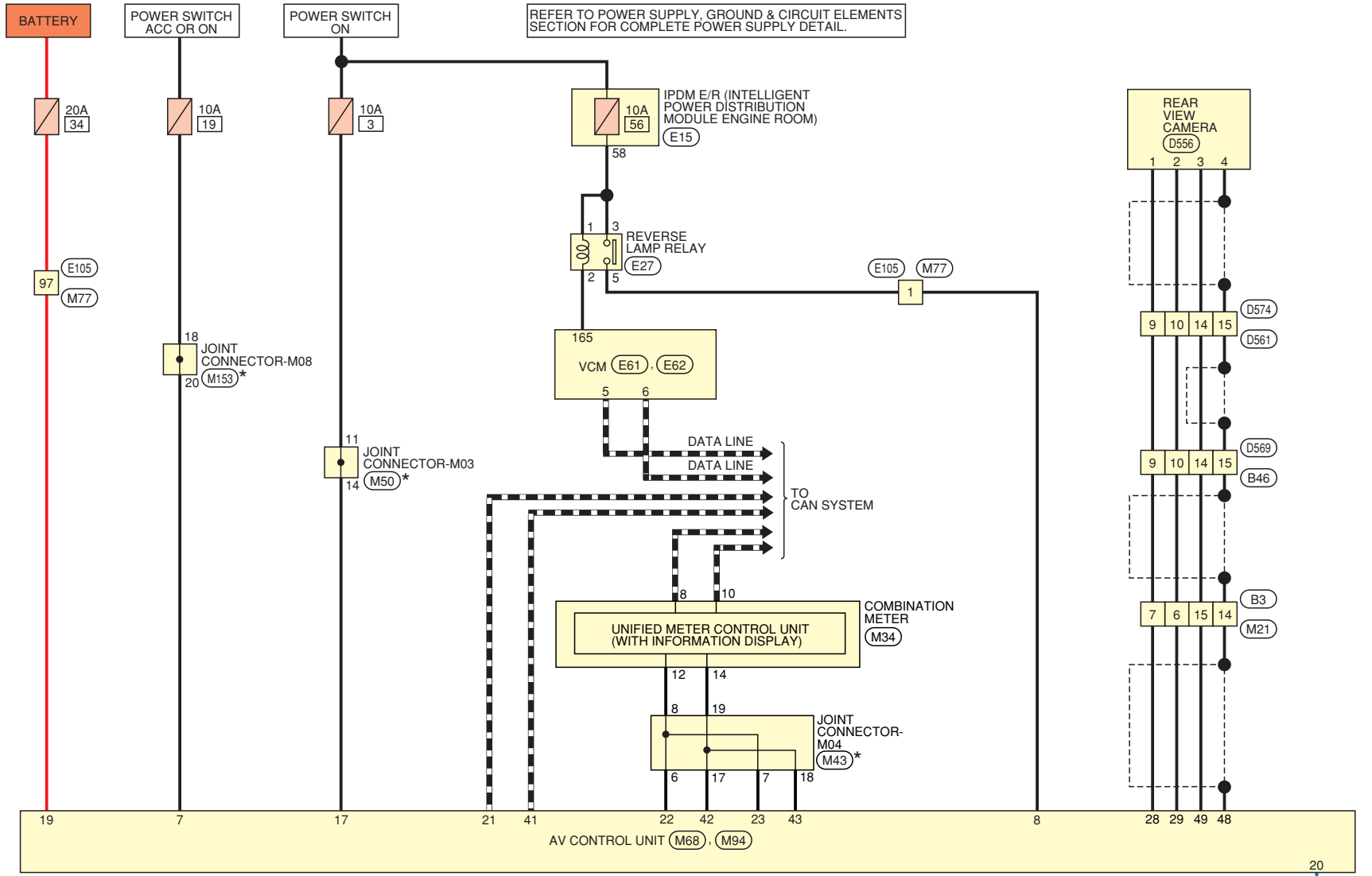
--- : CAN COMMUNICATION LINE FOR DIAGNOSIS



*: PIN-OUTS MAY BE IN NO SPECIFIC ORDER ON A COMMON BUS BAR IN JOINT CONNECTORS.

REAR VIEW MONITOR SYSTEM - WITH 8" COLOR DISPLAY WITHOUT NAVIGATION SYSTEM

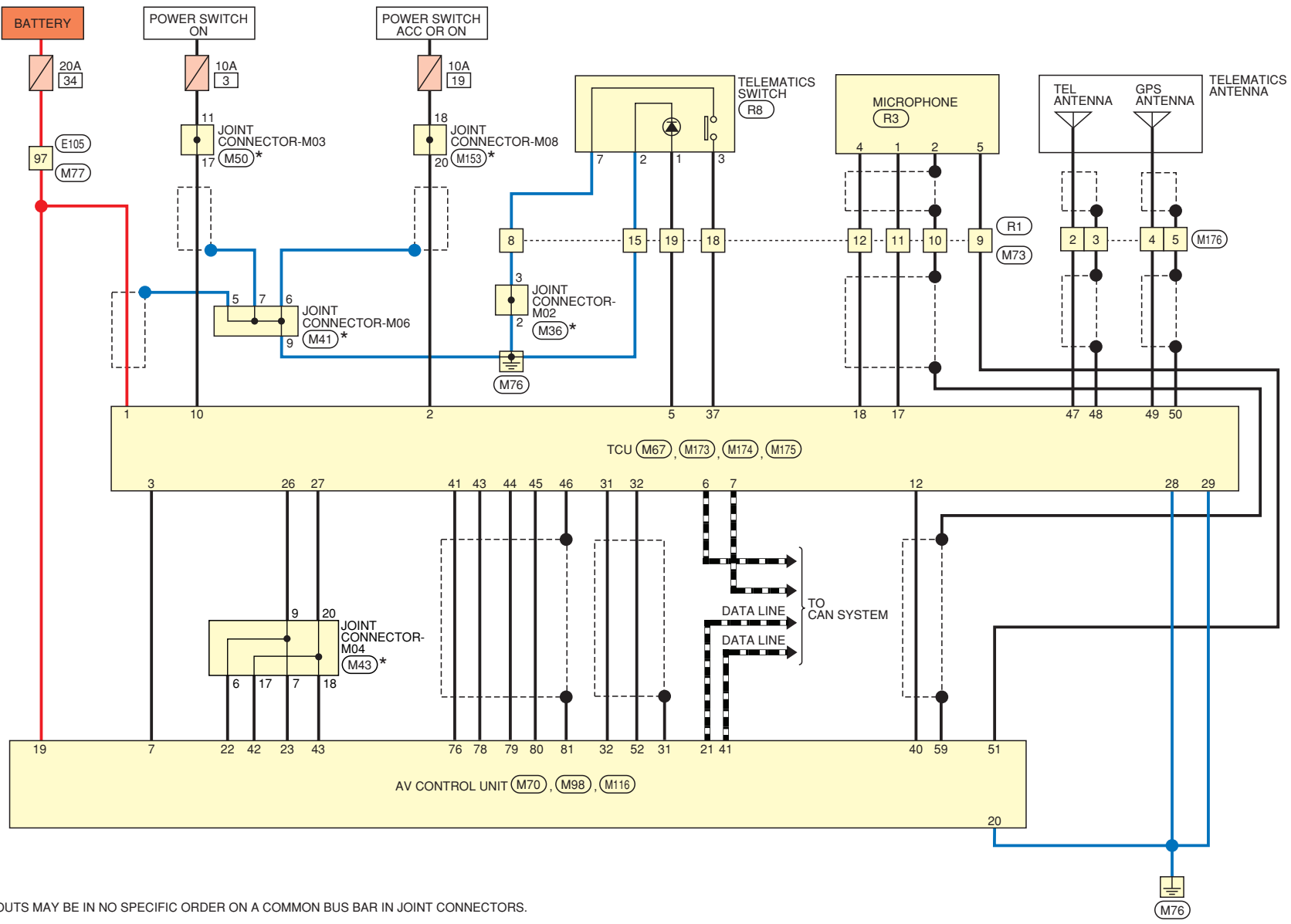
▬ : CAN COMMUNICATION LINE FOR DIAGNOSIS



*: PIN-OUTS MAY BE IN NO SPECIFIC ORDER ON A COMMON BUS BAR IN JOINT CONNECTORS.

TELEMATICS SYSTEM

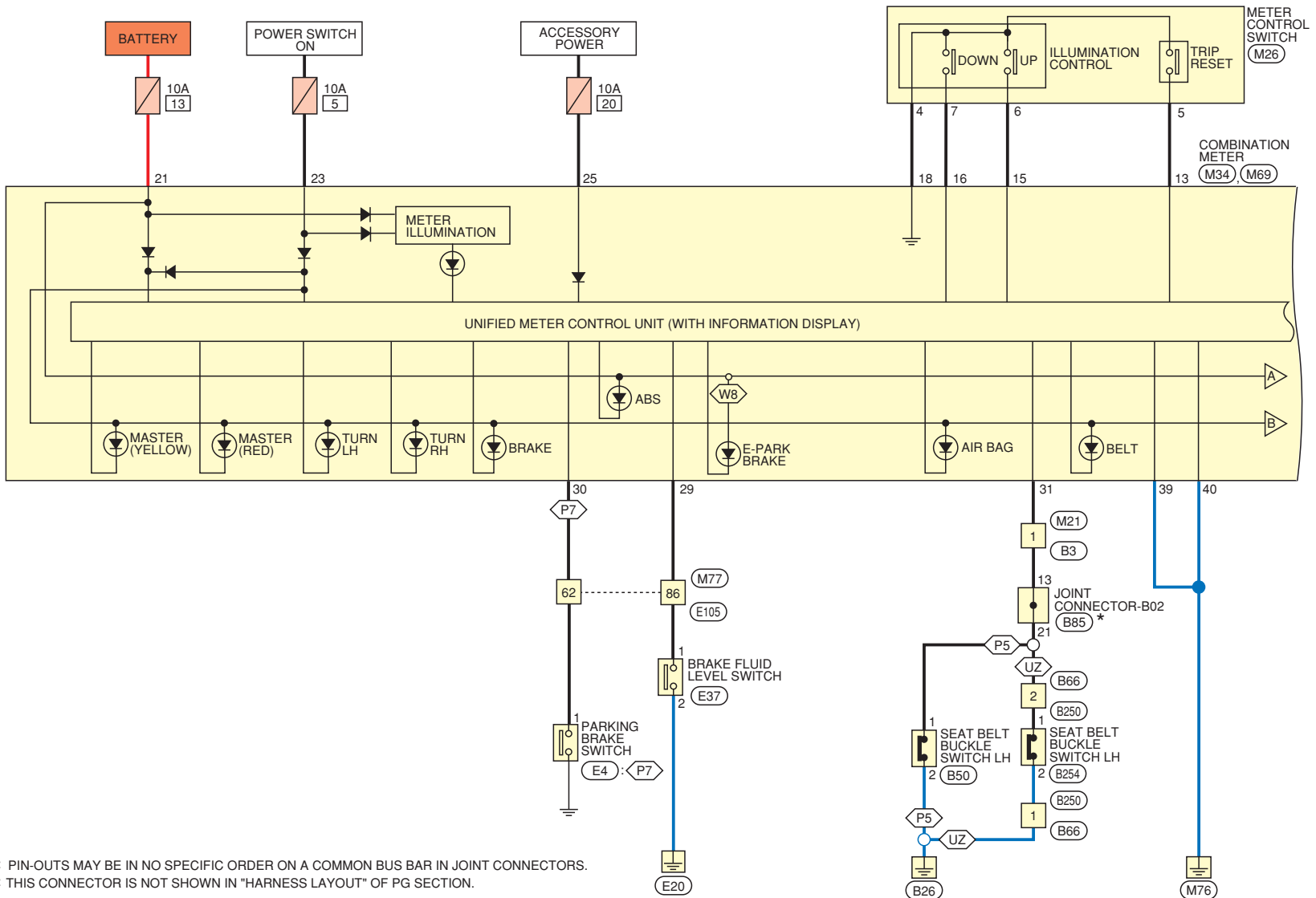
REFER TO POWER SUPPLY, GROUND & CIRCUIT ELEMENTS SECTION FOR COMPLETE POWER SUPPLY DETAIL.



*: PIN-OUTS MAY BE IN NO SPECIFIC ORDER ON A COMMON BUS BAR IN JOINT CONNECTORS.

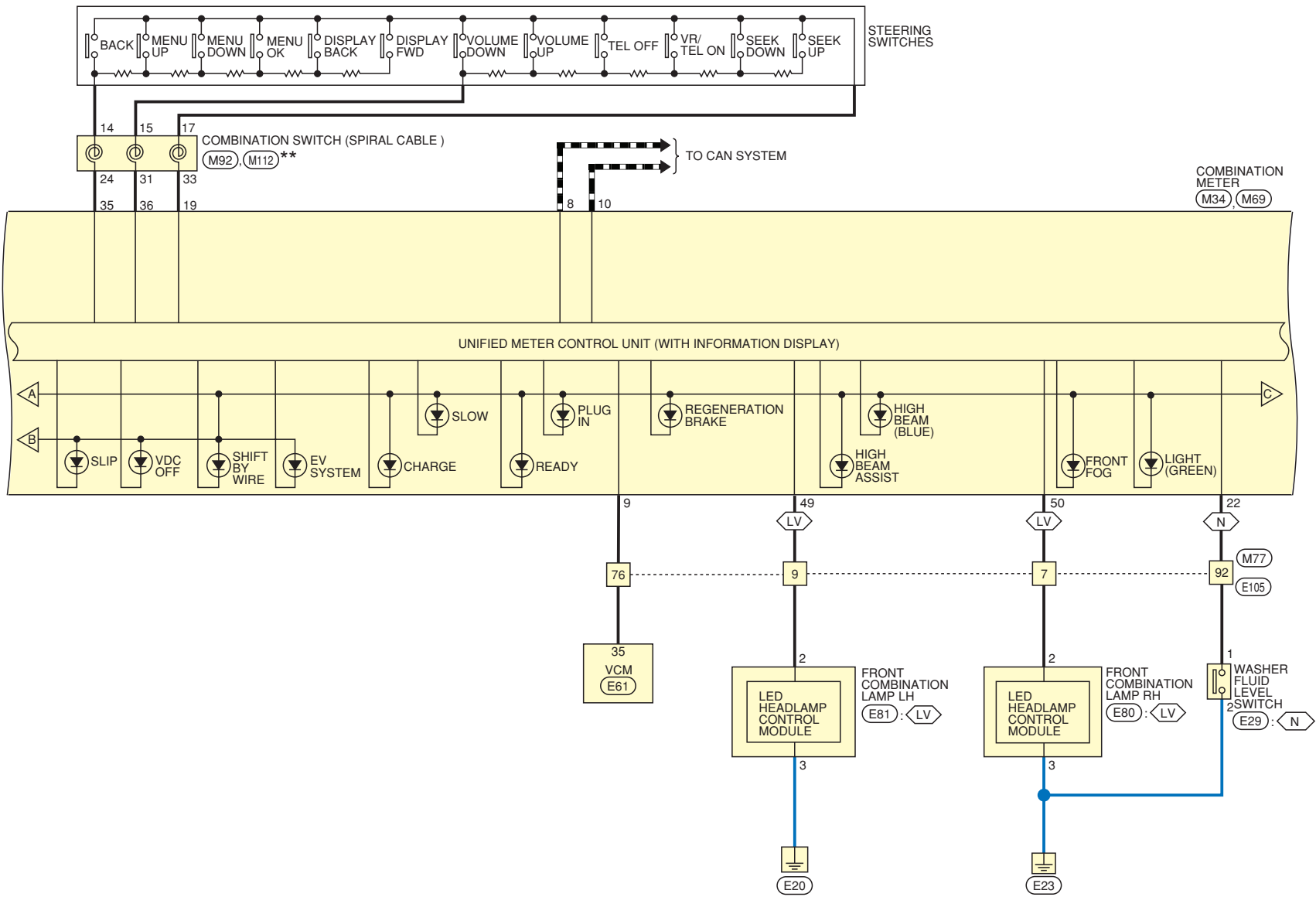
METER

REFER TO THE POWER SUPPLY, GROUND & CIRCUIT ELEMENTS SECTION FOR COMPLETE POWER SUPPLY DETAIL

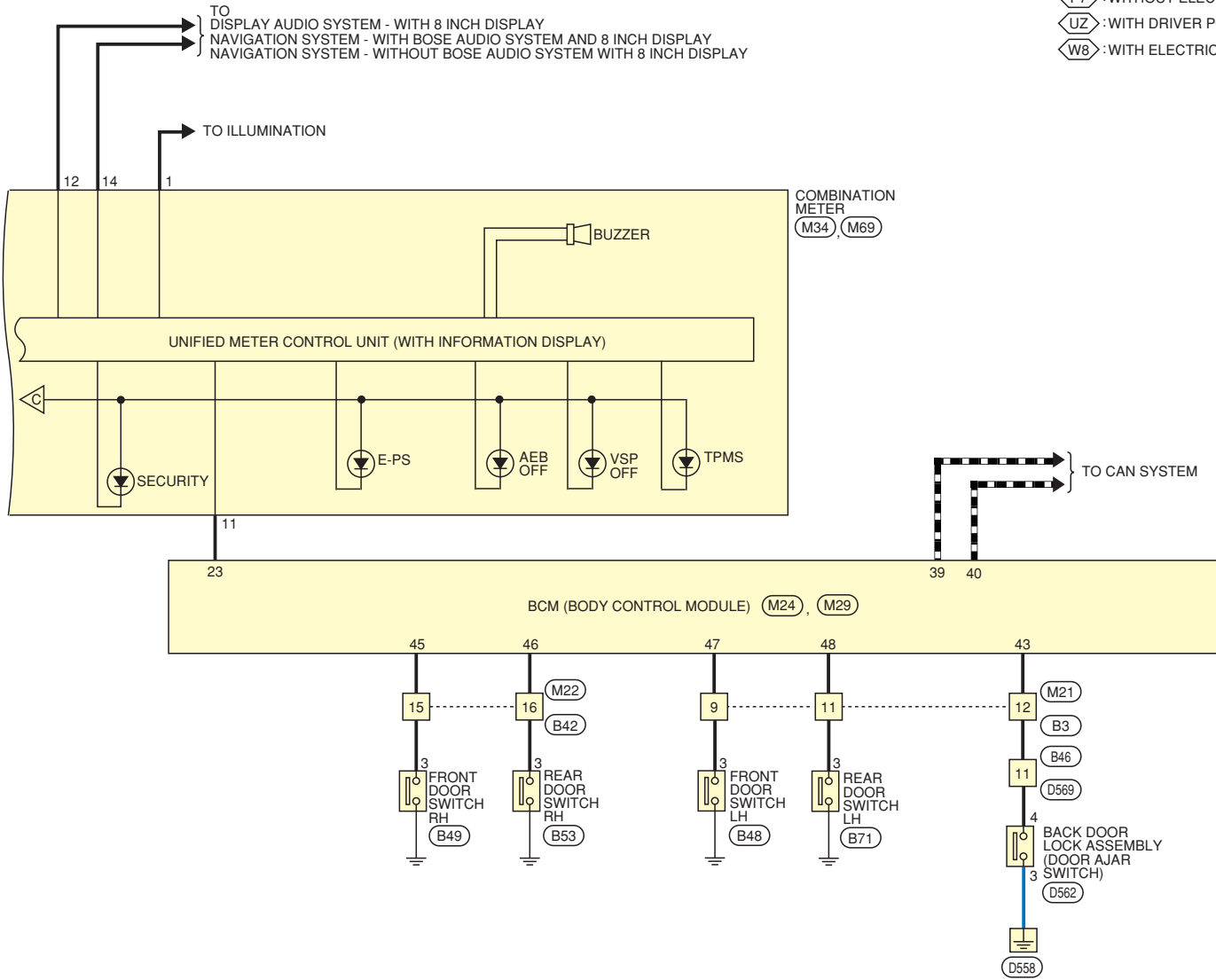


*: PIN-OUTS MAY BE IN NO SPECIFIC ORDER ON A COMMON BUS BAR IN JOINT CONNECTORS.

** : THIS CONNECTOR IS NOT SHOWN IN "HARNESS LAYOUT" OF PG SECTION.



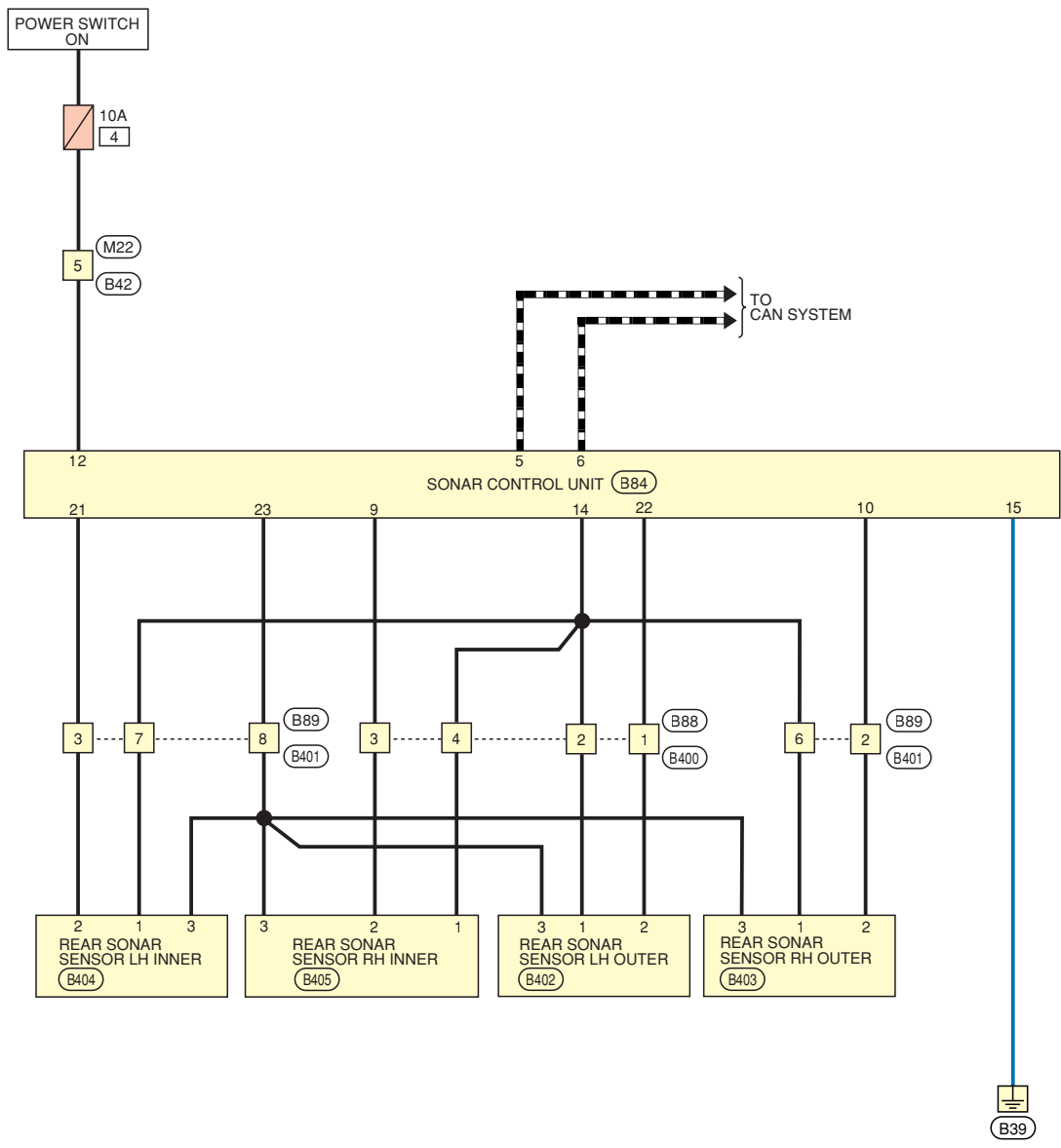
- ▬ : CAN COMMUNICATION LINE FOR DIAGNOSIS
- ⬡ LV : WITH LED HEADLAMPS
- ⬡ N : FOR CANADA
- ⬡ P5 : WITHOUT DRIVER POWER SEAT
- ⬡ P7 : WITHOUT ELECTRIC PARKING BRAKE
- ⬡ UZ : WITH DRIVER POWER SEAT
- ⬡ W8 : WITH ELECTRIC PARKING BRAKE



SONAR SYSTEM

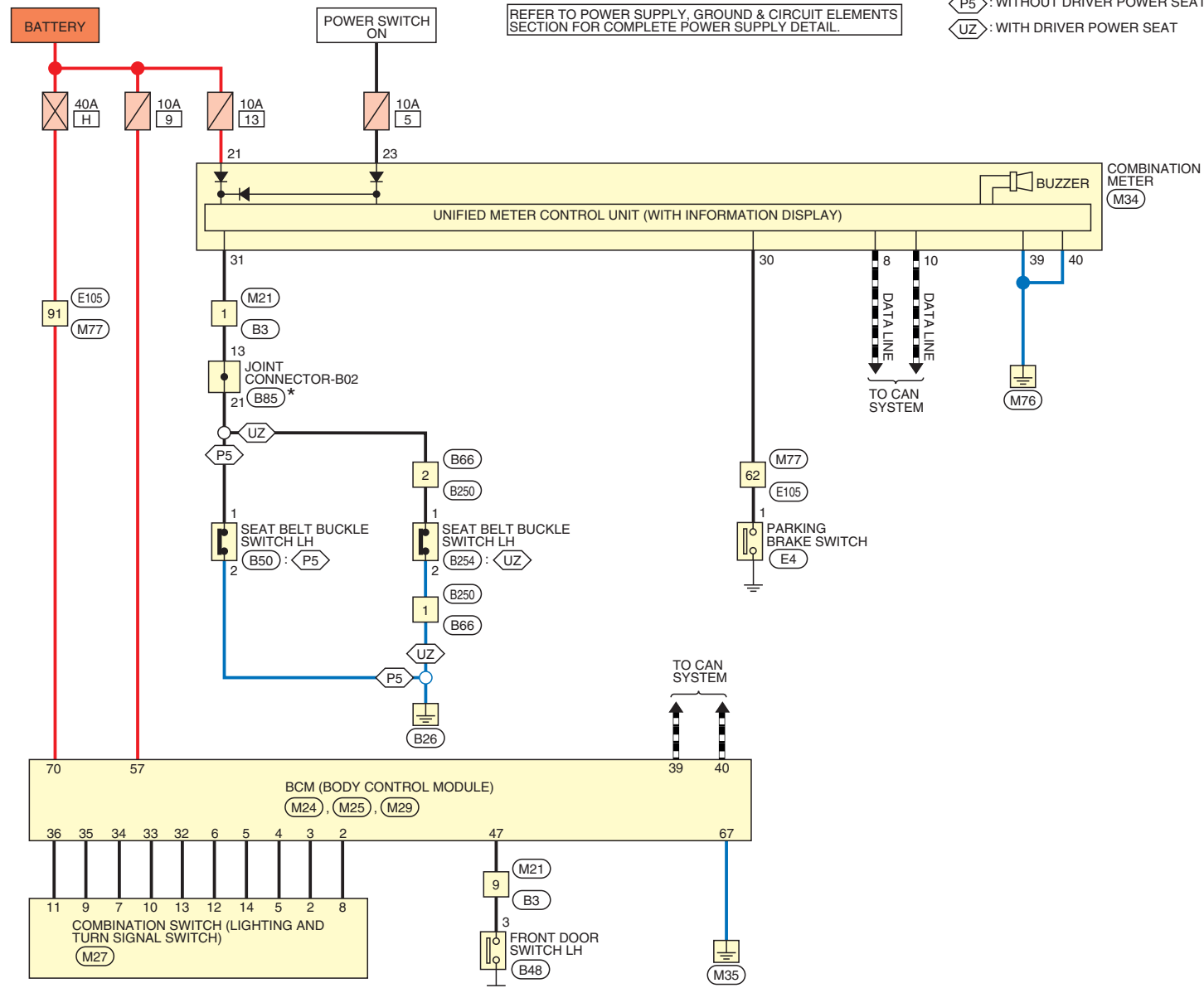
--- : CAN COMMUNICATION LINE FOR DIAGNOSIS

REFER TO POWER SUPPLY, GROUND & CIRCUIT ELEMENTS SECTION FOR COMPLETE POWER SUPPLY DETAIL.



WARNING CHIME SYSTEM

: CAN COMMUNICATION LINE FOR DIAGNOSIS
P5 : WITHOUT DRIVER POWER SEAT
UZ : WITH DRIVER POWER SEAT

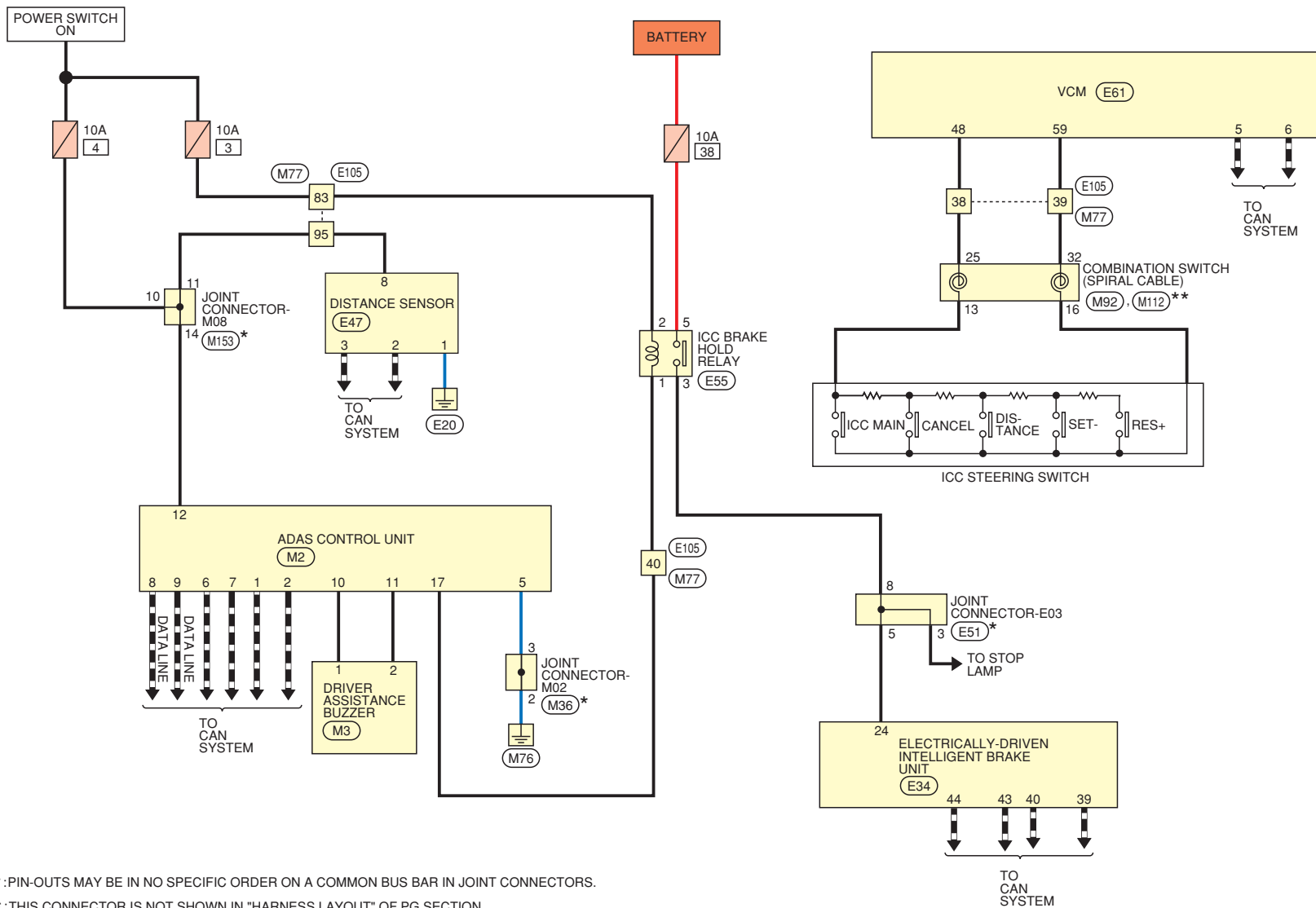


* : PIN-OUTS MAY BE IN NO SPECIFIC ORDER ON A COMMON BUS BAR IN JOINT CONNECTORS.

INTELLIGENT CRUISE CONTROL SYSTEM

■ : CAN COMMUNICATION LINE FOR DIAGNOSIS

REFER TO POWER SUPPLY, GROUND & CIRCUIT ELEMENTS SECTION FOR COMPLETE POWER SUPPLY DETAIL.



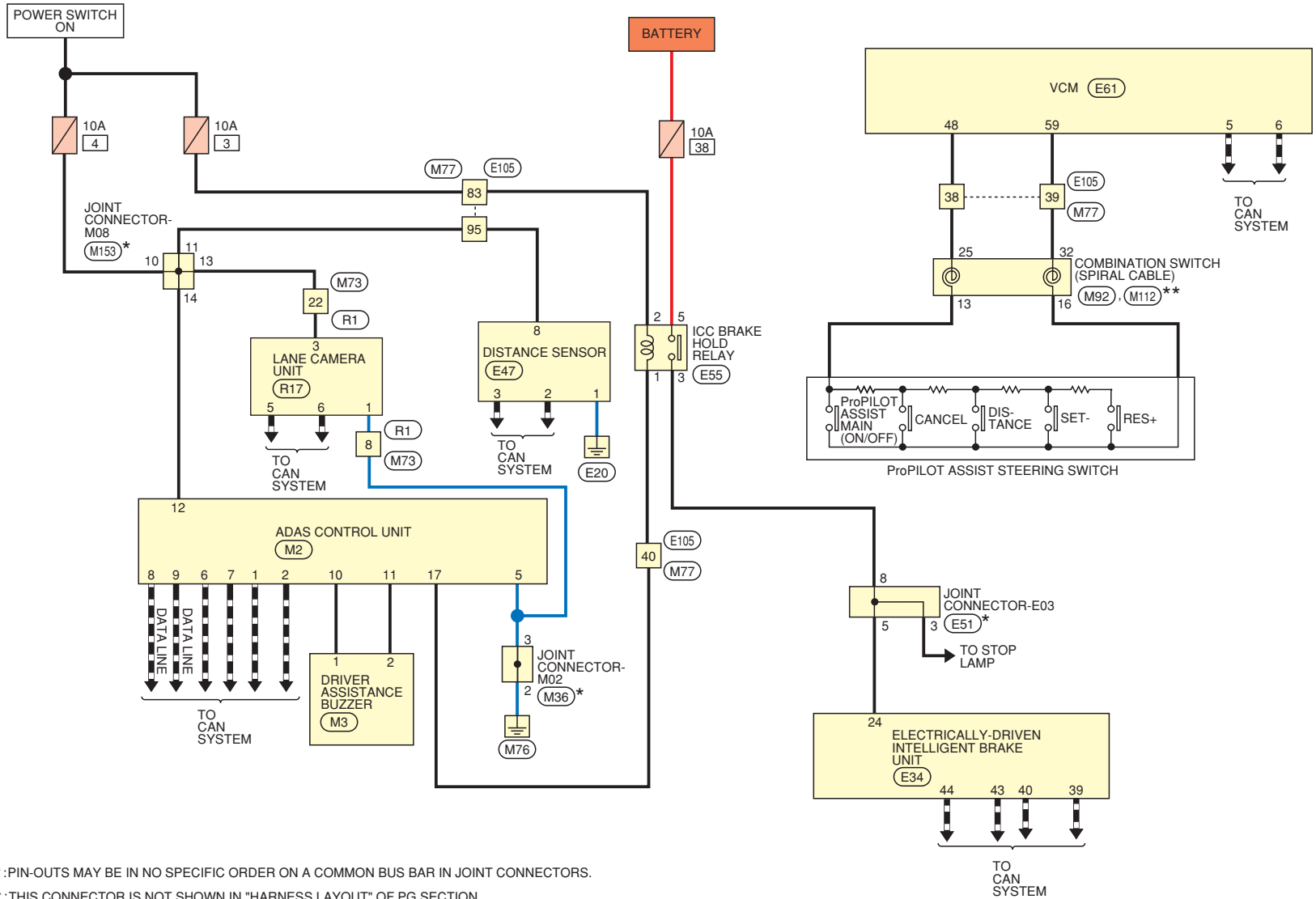
*: PIN-OUTS MAY BE IN NO SPECIFIC ORDER ON A COMMON BUS BAR IN JOINT CONNECTORS.

** : THIS CONNECTOR IS NOT SHOWN IN "HARNESS LAYOUT" OF PG SECTION.

ProPILOT ASSIST SYSTEM

■ : CAN COMMUNICATION LINE FOR DIAGNOSIS

REFER TO POWER SUPPLY, GROUND & CIRCUIT ELEMENTS SECTION FOR COMPLETE POWER SUPPLY DETAIL.



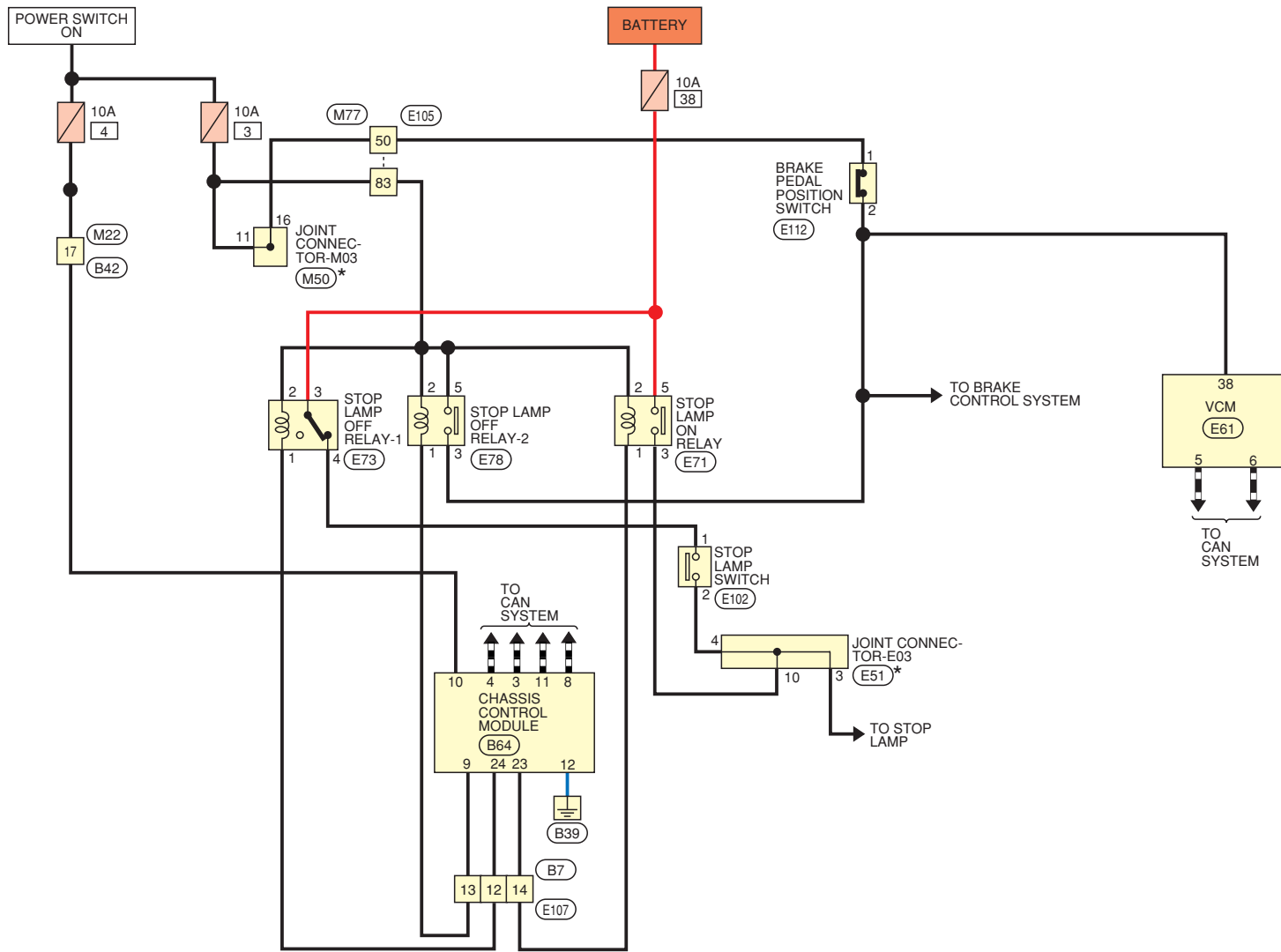
*:PIN-OUTS MAY BE IN NO SPECIFIC ORDER ON A COMMON BUS BAR IN JOINT CONNECTORS.

** :THIS CONNECTOR IS NOT SHOWN IN "HARNESS LAYOUT" OF PG SECTION.

CHASSIS CONTROL SYSTEM

REFER TO POWER SUPPLY, GROUND & CIRCUIT ELEMENTS SECTION FOR COMPLETE POWER SUPPLY DETAIL.

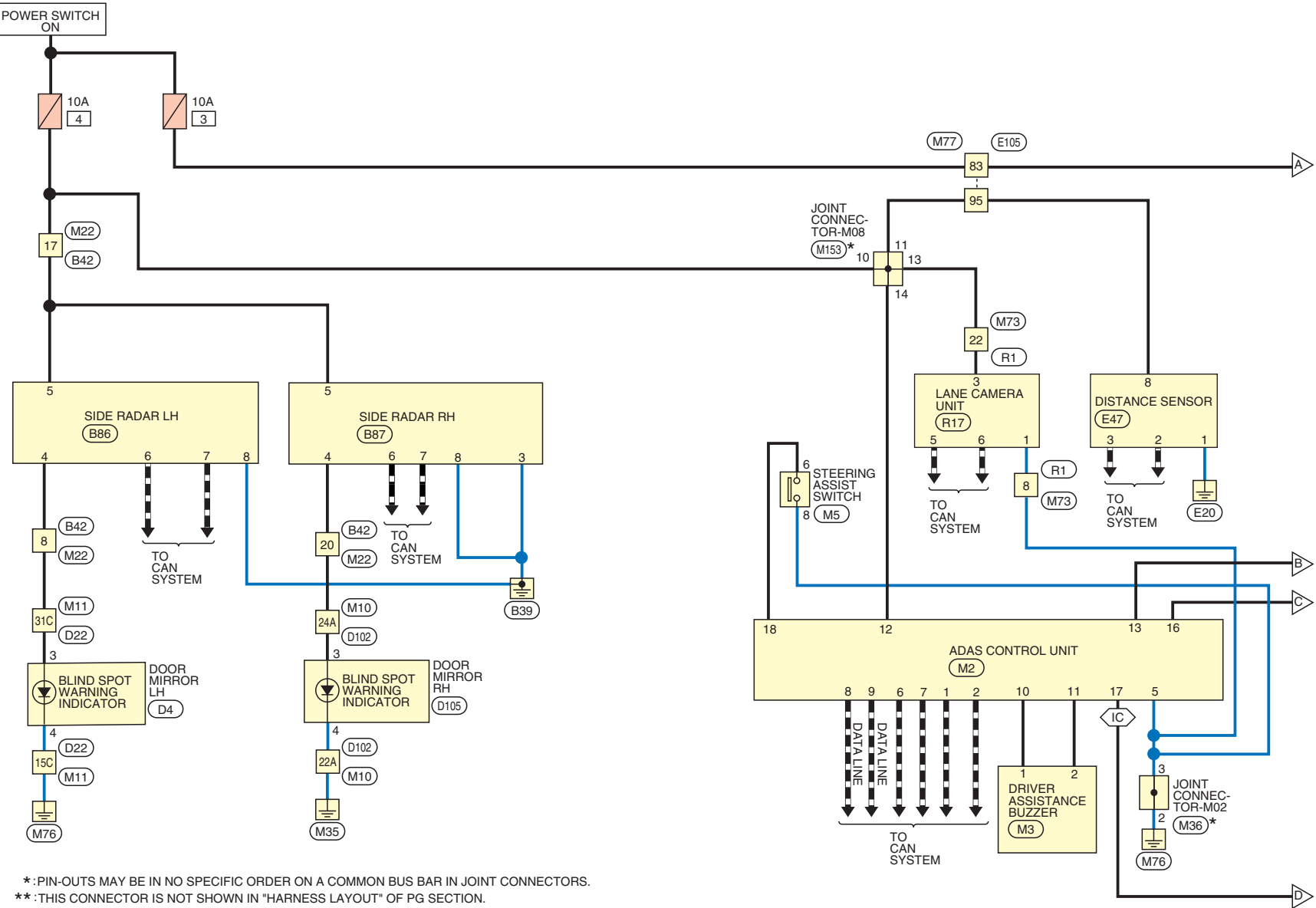
— : CAN COMMUNICATION LINE FOR DIAGNOSIS



*: PIN-OUTS MAY BE IN NO SPECIFIC ORDER ON A COMMON BUS BAR IN JOINT CONNECTORS.

DRIVER ASSISTANCE SYSTEM

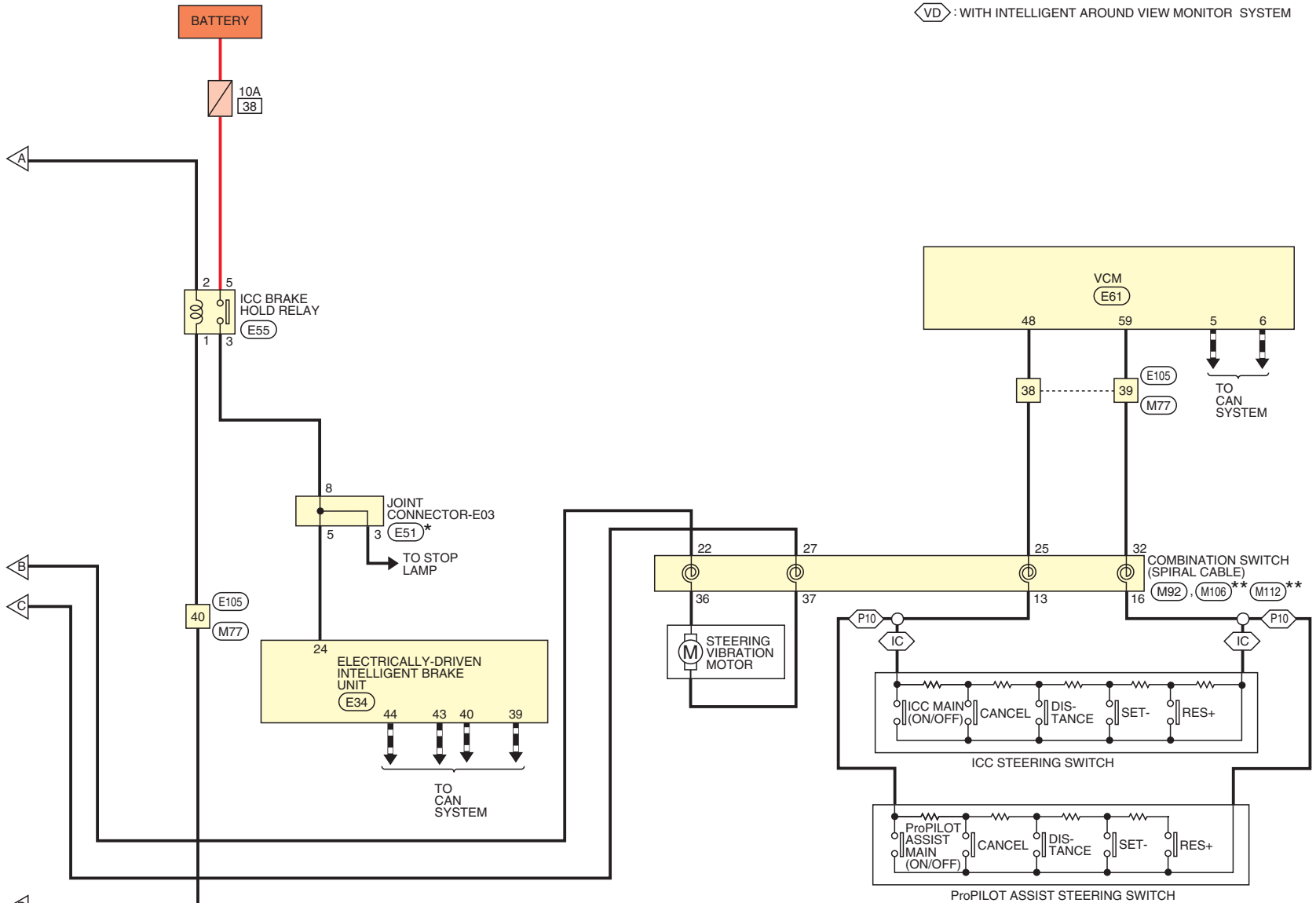
REFER TO POWER SUPPLY, GROUND & CIRCUIT ELEMENTS SECTION FOR COMPLETE POWER SUPPLY DETAIL.



*: PIN-OUTS MAY BE IN NO SPECIFIC ORDER ON A COMMON BUS BAR IN JOINT CONNECTORS.

** : THIS CONNECTOR IS NOT SHOWN IN "HARNESS LAYOUT" OF PG SECTION.

- : CAN COMMUNICATION LINE FOR DIAGNOSIS
- IC : WITH INTELLIGENT CRUISE CONTROL
- P10 : WITH ProPILOT ASSIST
- VD : WITH INTELLIGENT AROUND VIEW MONITOR SYSTEM



CONNECTOR VIEWS

Connector No.	B1
Connector Name	WIRE TO WIRE
Connector Type	NS16MW-CS
Connector Color	WHITE



1	2	3	4	5	6	7		
8	9	10	11	12	13	14	15	16

5	P	TO MAIN HARNESS
6	L	TO MAIN HARNESS
7	GR	TO MAIN HARNESS
8	V	TO MAIN HARNESS
9	SB	TO MAIN HARNESS (WITHOUT NAVI)
9	LG	TO MAIN HARNESS (WITH NAVI)
10	BR	TO MAIN HARNESS
11	LG	TO MAIN HARNESS
12	LG	TO MAIN HARNESS
13	W	TO MAIN HARNESS
14	LA/SB	TO MAIN HARNESS
15	G	TO MAIN HARNESS
16	BG	TO MAIN HARNESS

Connector No.	B3
Connector Name	WIRE TO WIRE
Connector Type	TH16MW-NH
Connector Color	WHITE



1	2	3	4	5	6	7	8
9	10	11	12	13	14	15	16

Terminal No.	Color of Wire	Signal Name
1	R	TO MAIN HARNESS
2	-	TO MAIN HARNESS
3	-	TO MAIN HARNESS
4	B	TO MAIN HARNESS
5	W	TO MAIN HARNESS
6	W	TO MAIN HARNESS
7	R	TO MAIN HARNESS
8	G	TO MAIN HARNESS
9	SB	TO MAIN HARNESS
10	P	TO MAIN HARNESS
11	BG	TO MAIN HARNESS
12	V	TO MAIN HARNESS
13	BR	TO MAIN HARNESS
14	SHIELD	TO MAIN HARNESS
15	B	TO MAIN HARNESS
16	L	TO MAIN HARNESS

Connector No.	B5
Connector Name	WIRE TO WIRE
Connector Type	TH04FW-NH
Connector Color	WHITE



4	3	2	1
---	---	---	---

Terminal No.	Color of Wire	Signal Name
1	GR	TO ODS SUB-HARNESS
2	B	TO ODS SUB-HARNESS
3	R	TO ODS SUB-HARNESS
4	BR	TO ODS SUB-HARNESS

Connector No.	B6
Connector Name	WIRE TO WIRE
Connector Type	M02MW-LC
Connector Color	WHITE



1	2
---	---

Terminal No.	Color of Wire	Signal Name
1	R	TO MAIN HARNESS
2	-	TO MAIN HARNESS

Connector No.	B7
Connector Name	WIRE TO WIRE
Connector Type	TH32FW-NH
Connector Color	WHITE



16	15	14	13	12	11	10	9	8	7	6	5	4	3	2	1
32	31	30	29	28	27	26	25	24	23	22	21	20	19	18	17

Terminal No.	Color of Wire	Signal Name
1	-	TO ENGINE ROOM HARNESS
2	-	TO ENGINE ROOM HARNESS
3	-	TO ENGINE ROOM HARNESS

4	-	TO ENGINE ROOM HARNESS
5	-	TO ENGINE ROOM HARNESS
6	-	TO ENGINE ROOM HARNESS
7	-	TO ENGINE ROOM HARNESS
8	P	TO ENGINE ROOM HARNESS
9	Y	TO ENGINE ROOM HARNESS
10	G	TO ENGINE ROOM HARNESS
11	GR	TO ENGINE ROOM HARNESS
12	LA/BG	TO ENGINE ROOM HARNESS
13	LA/SB	TO ENGINE ROOM HARNESS
14	LA/V	TO ENGINE ROOM HARNESS
15	LG	TO ENGINE ROOM HARNESS
16	G	TO ENGINE ROOM HARNESS
17	-	TO ENGINE ROOM HARNESS
18	-	TO ENGINE ROOM HARNESS
19	-	TO ENGINE ROOM HARNESS
20	-	TO ENGINE ROOM HARNESS
21	-	TO ENGINE ROOM HARNESS
22	-	TO ENGINE ROOM HARNESS
23	-	TO ENGINE ROOM HARNESS
24	-	TO ENGINE ROOM HARNESS
25	R	TO ENGINE ROOM HARNESS
26	L	TO ENGINE ROOM HARNESS
27	G	TO ENGINE ROOM HARNESS
28	SHIELD	TO ENGINE ROOM HARNESS
29	Y	TO ENGINE ROOM HARNESS
30	W	TO ENGINE ROOM HARNESS
31	BG	TO ENGINE ROOM HARNESS
32	B	TO ENGINE ROOM HARNESS

Connector No.	B8
Connector Name	WIRE TO WIRE
Connector Type	NS08FW-CS
Connector Color	WHITE



3	2	1		
8	7	6	5	4

Terminal No.	Color of Wire	Signal Name
1	R	TO ENGINE ROOM HARNESS
2	L	TO ENGINE ROOM HARNESS
3	-	TO ENGINE ROOM HARNESS
4	V	TO ENGINE ROOM HARNESS
5	Y	TO ENGINE ROOM HARNESS
6	P	TO ENGINE ROOM HARNESS
7	GR	TO ENGINE ROOM HARNESS
8	SB	TO ENGINE ROOM HARNESS

Terminal No.	Color of Wire	Signal Name
1	LA/W	TO MAIN HARNESS
2	BR	TO MAIN HARNESS
3	G	TO MAIN HARNESS
4	B	TO MAIN HARNESS
5	V	TO MAIN HARNESS
6	W	TO MAIN HARNESS
7	Y	TO MAIN HARNESS
8	R	TO MAIN HARNESS
9	SHIELD	TO MAIN HARNESS
10	P	TO MAIN HARNESS (WITHOUT BOSE AUDIO SYSTEM)
10	G	TO MAIN HARNESS (WITH BOSE AUDIO SYSTEM)
11	R	TO MAIN HARNESS (WITH BOSE AUDIO SYSTEM)
11	LG	TO MAIN HARNESS (WITHOUT BOSE AUDIO SYSTEM)
12	SB	TO MAIN HARNESS
13	BG	TO MAIN HARNESS
14	W	TO MAIN HARNESS
15	B	TO MAIN HARNESS
16	SHIELD	TO MAIN HARNESS

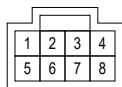
Connector No.	B2
Connector Name	WIRE TO WIRE
Connector Type	NS16MW-CS
Connector Color	WHITE



1	2	3	4	5	6	7		
8	9	10	11	12	13	14	15	16

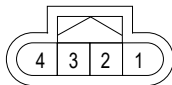
Terminal No.	Color of Wire	Signal Name
1	-	TO MAIN HARNESS
2	SB	TO MAIN HARNESS
3	Y	TO MAIN HARNESS
4	-	TO MAIN HARNESS

Connector No.	B11
Connector Name	BOSE SPEAKER AMP.
Connector Type	SHB08FB
Connector Color	BLACK



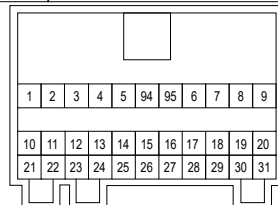
Terminal No.	Color of Wire	Signal Name
1	R	5.25 INCH SP LH+ OUT
2	L	WOOFER- OUT 2
3	-	-
4	GR	BATTERY
5	G	5.25 INCH SP LH- OUT
6	P	WOOFER+ OUT 2
7	-	-
8	B	GROUND

Connector No.	B12
Connector Name	WIRE TO WIRE
Connector Type	RH04FB
Connector Color	BLACK



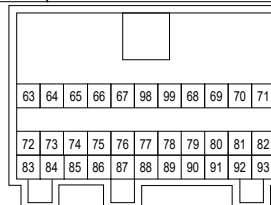
Terminal No.	Color of Wire	Signal Name
1	BR	TO CHASSIS HARNESS
2	LG	TO CHASSIS HARNESS
3	B	TO CHASSIS HARNESS
4	G	TO CHASSIS HARNESS

Connector No.	B13
Connector Name	AIR BAG DIAGNOSIS SENSOR UNIT
Connector Type	NH33FB-EX-LH
Connector Color	BLACK



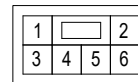
Terminal No.	Color of Wire	Signal Name
1	Y	INF CURTAIN RH+
2	LG	INF CURTAIN RH-
3	W	RS INF RH-
4	B	RS INF RH+
6	Y	SIDE INF RH+
7	SB	SIDE INF RH-
8	V	ELR RH2-
9	GR	ELR RH2+
14	L	RR SATELLITE SENS RH-
15	Y	RR SATELLITE SENS RH+
17	L	RP RH+
18	P	RP RH-
19	LG	ELR RH-
20	W	ELR RH+
23	G	SIDE SENS RH+
24	R	SIDE SENS RH-
25	R	ODS INPUT
27	LG	BUCKLE SW FR RH+
29	B	BUCKLE SW FR RH-
94	Y	CONN LOCK DETECT A
95	Y	CONN LOCK DETECT B

Connector No.	B14
Connector Name	AIR BAG DIAGNOSIS SENSOR UNIT
Connector Type	NH33FW-EX-LH
Connector Color	WHITE



Terminal No.	Color of Wire	Signal Name
63	G	INF CURTAIN LH+
64	R	INF CURTAIN LH-
65	W	RS INF LH-
66	B	RS INF LH+
68	GR	SIDE INF LH+
69	L	SIDE INF LH-
70	R	ELR LH2-
71	BR	ELR LH2+
76	BR	RR SATELLITE SENS LH-
77	Y	RR SATELLITE SENS LH+
79	L	RP LH+
80	W	RP LH-
81	V	ELR LH-
82	P	ELR LH+
85	G	SIDE SENS LH+
86	R	SIDE SENS LH-
89	LG	BUCKLE SW FR LH
98	Y	CONN LOCK DETECT A
99	Y	CONN LOCK DETECT B

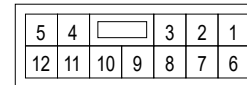
Connector No.	B15
Connector Name	BRAKE POWER SUPPLY BACKUP UNIT
Connector Type	NS06FW-CS
Connector Color	WHITE



Terminal No.	Color of Wire	Signal Name
1	R	DLC BACKUP POWER
2	B	GROUND

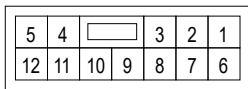
3	-	-
4	Y	DLC WAKE-UP
5	W	DLC COMMUNICATION
6	L	BATTERY

Connector No.	B16
Connector Name	WIRE TO WIRE
Connector Type	NS12FW-CS
Connector Color	WHITE



Terminal No.	Color of Wire	Signal Name
1	LG	TO REAR DOOR RH HARNESS (WITHOUT BOSE AUDIO SYSTEM)
1	L	TO REAR DOOR RH HARNESS (WITH BOSE AUDIO SYSTEM)
2	P	TO REAR DOOR RH HARNESS
3	SHIELD	TO REAR DOOR RH HARNESS
4	-	TO REAR DOOR RH HARNESS
5	-	TO REAR DOOR RH HARNESS
6	Y	TO REAR DOOR RH HARNESS
7	BR	TO REAR DOOR RH HARNESS
8	W	TO REAR DOOR RH HARNESS
9	R	TO REAR DOOR RH HARNESS
10	BG	TO REAR DOOR RH HARNESS
11	-	TO REAR DOOR RH HARNESS
12	-	TO REAR DOOR RH HARNESS

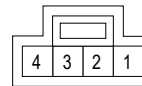
Connector No.	B17
Connector Name	WIRE TO WIRE
Connector Type	NS12FW-CS
Connector Color	WHITE



6	-	TO MAIN HARNESS
7	-	TO MAIN HARNESS
8	-	TO MAIN HARNESS
9	-	TO MAIN HARNESS
10	-	TO MAIN HARNESS
11	-	TO MAIN HARNESS
12	P	TO MAIN HARNESS
13	SHIELD	TO MAIN HARNESS
14	BR	TO MAIN HARNESS
15	R	TO MAIN HARNESS
16	SHIELD	TO MAIN HARNESS
17	SB	TO MAIN HARNESS
18	G	TO MAIN HARNESS
19	SHIELD	TO MAIN HARNESS
20	SB	TO MAIN HARNESS
21	-	TO MAIN HARNESS
22	-	TO MAIN HARNESS
23	-	TO MAIN HARNESS
24	-	TO MAIN HARNESS
25	-	TO MAIN HARNESS
26	-	TO MAIN HARNESS
27	-	TO MAIN HARNESS
28	-	TO MAIN HARNESS
29	-	TO MAIN HARNESS
30	-	TO MAIN HARNESS
31	BG	TO MAIN HARNESS
32	L	TO MAIN HARNESS
33	SHIELD	TO MAIN HARNESS
34	Y	TO MAIN HARNESS
35	G	TO MAIN HARNESS
36	SHIELD	TO MAIN HARNESS
37	V	TO MAIN HARNESS
38	R	TO MAIN HARNESS
39	SHIELD	TO MAIN HARNESS
40	V	TO MAIN HARNESS

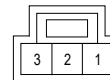
13	G	1 INCH TW LH+ OUT
14	SB	1 INCH TW RH- OUT
15	V	1 INCH TW RH+ OUT
16	L	5.25 INCH SP RH+ OUT
17	B	6.5 INCH SP LH- OUT
18	-	-
19	-	-
20	-	-
21	-	-
22	BG	SWB+
23	-	-
24	P	5.25 INCH SP RH- OUT

Connector No.	B21
Connector Name	FRONT SEAT HEATER LH (WITHOUT DRIVER POWER SEAT)
Connector Type	NS04FW-CS
Connector Color	WHITE



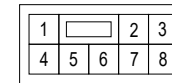
Terminal No.	Color of Wire	Signal Name
1	B	GROUND
2	-	-
3	L	HEATER LOW
4	Y	HEATER HIGH

Connector No.	B22
Connector Name	REAR SEAT HEATER
Connector Type	NS03FW-CS
Connector Color	WHITE



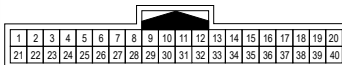
Terminal No.	Color of Wire	Signal Name
1	R	HEATER HIGH
2	GR	HEATER LOW
3	B	GROUND

Connector No.	B23
Connector Name	FRONT SEAT HEATER RH (WITH REAR HEATED SEATS)
Connector Type	NS08FW-CS
Connector Color	WHITE

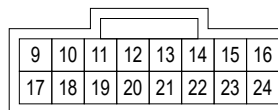


Terminal No.	Color of Wire	Signal Name
1	R	REAR HEATER HIGH
2	B	GROUND
3	LG	FRONT HEATER HIGH
4	BR	FRONT HEATER LOW
5	GR	REAR HEATER LOW
6	SB	REAR HEATED SEAT RELAY OUTPUT
7	V	TAIL 1
8	B	ILL CONT OUT

Connector No.	B18
Connector Name	WIRE TO WIRE
Connector Type	TH40MW-NH
Connector Color	WHITE



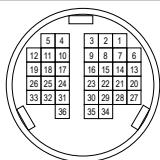
Connector No.	B20
Connector Name	BOSE SPEAKER AMP.
Connector Type	SEB16FB
Connector Color	BLACK



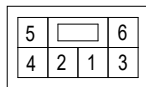
Terminal No.	Color of Wire	Signal Name
9	W	6.5 INCH SP LH+ OUT
10	R	6.5 INCH SP RH+ OUT
11	G	6.5 INCH SP RH- OUT
12	R	1 INCH TW LH- OUT

Terminal No.	Color of Wire	Signal Name
1	-	TO MAIN HARNESS
2	-	TO MAIN HARNESS
3	-	TO MAIN HARNESS
4	-	TO MAIN HARNESS
5	-	TO MAIN HARNESS

Connector No.	B24
Connector Name	LI-ION BATTERY
Connector Type	RH36FG-GY
Connector Color	GREEN



Connector No.	B25
Connector Name	FRONT HEATED SEAT SWITCH LH
Connector Type	NS06FW-CS
Connector Color	WHITE

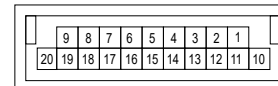


Connector No.	B28
Connector Name	FRONT RH SIDE AIR BAG MODULE
Connector Type	TK02FY-EX-1V
Connector Color	YELLOW



2	R	SIDE SENS RH-
---	---	---------------

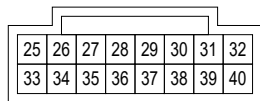
Connector No.	B31*
Connector Name	JOINT CONNECTOR-B03
Connector Type	NH20FG-DC
Connector Color	GREEN



Terminal No.	Color of Wire	Signal Name
1	L	CAN-H
2	G	CAN-L
3	-	-
4	R	POWER ON POWER SUPPLY
5	SB	12V BATTERY POWER SUPPLY
6	B	GROUND
7	B	GROUND
8	B	GROUND
9	-	-
10	B	PRE-CHARGE RELAY GROUND
11	G	PRE-CHARGE RELAY INPUT
12	-	-
13	B	SYSTEM MAIN RELAY 2 GROUND
14	L	SYSTEM MAIN RELAY 2 INPUT
15	-	-
16	B	SYSTEM MAIN RELAY 1 GROUND
17	Y	SYSTEM MAIN RELAY 1 INPUT
18	-	-
19	-	-
20	-	-
21	-	-
22	-	-
23	-	-
24	-	-
25	-	-
26	-	-
27	-	-
28	-	-
29	-	-
30	-	-
31	P	CHARGING ACTIVATION SIGNAL
32	-	-
33	-	-
34	-	-
35	-	-
36	-	-

Terminal No.	Color of Wire	Signal Name
1	L	HEATED SEAT RELAY OUTPUT
2	G	HEATER LOW
3	Y	HEATER HIGH
4	B	GROUND
5	V	TAIL 1
6	B	ILL CONT OUT

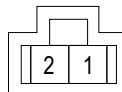
Connector No.	B27
Connector Name	BOSE SPEAKER AMP.
Connector Type	YAB16FB
Connector Color	BLACK



Terminal No.	Color of Wire	Signal Name
25	-	-
26	-	-
27	BR	RR RH+ IN
28	L	RR LH- IN
29	G	FR RH+ IN
30	V	FR LH- IN
31	-	-
32	-	-
33	-	-
34	-	-
35	Y	RR RH- IN
36	P	RR LH+ IN
37	R	FR RH- IN
38	SB	FR LH+ IN
39	-	-
40	-	-

Terminal No.	Color of Wire	Signal Name
1	Y	SIDE INF RH+
2	SB	SIDE INF RH-

Connector No.	B29
Connector Name	FRONT RH SEAT BELT PRE-TENSIONER
Connector Type	ACB02FY
Connector Color	YELLOW



Terminal No.	Color of Wire	Signal Name
1	W	ELR RH+
2	LG	ELR RH-

Connector No.	B30
Connector Name	FRONT SIDE AIR BAG SATELLITE SENSOR RH
Connector Type	RH02FB-EX
Connector Color	BLACK

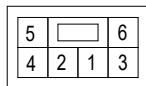


Terminal No.	Color of Wire	Signal Name
1	G	SIDE SENS RH+

Terminal No.	Color of Wire	Signal Name
1	G	BUS BAR A
2	G	BUS BAR A
3	G	BUS BAR A
4	-	BUS BAR A
5	-	BUS BAR A
6	P	BUS BAR B
7	R	BUS BAR B
8	Y	BUS BAR B
9	Y	BUS BAR B
10	GR	BUS BAR C
11	GR	BUS BAR C
12	GR	BUS BAR C
13	-	BUS BAR D
14	-	BUS BAR D
15	-	BUS BAR D
16	-	BUS BAR D
17	-	BUS BAR E
18	GR	BUS BAR E
19	GR	BUS BAR E
20	GR	BUS BAR E

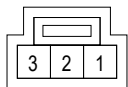
*: PIN-OUTS MAY BE IN NO SPECIFIC ORDER ON A COMMON BUS BAR IN JOINT CONNECTORS.

Connector No.	B33
Connector Name	FRONT HEATED SEAT SWITCH RH
Connector Type	NS06FBR-CS
Connector Color	BROWN



Terminal No.	Color of Wire	Signal Name
1	G	HEATED SEAT RELAY OUTPUT
2	BR	HEATER LOW
3	LG	HEATER HIGH
4	B	GROUND
5	V	TAIL 1
6	B	ILL CONT OUT

Connector No.	B34
Connector Name	SEAT BELT BUCKLE SWITCH RH
Connector Type	TK03FW
Connector Color	WHITE



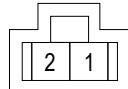
Terminal No.	Color of Wire	Signal Name
1	LG	BUCKLE SW FR RH+
2	B	BUCKLE SW FR RH-
3	-	-

Connector No.	B35
Connector Name	FRONT LH SIDE AIR BAG MODULE
Connector Type	TK02FY-EX-1V
Connector Color	YELLOW



Terminal No.	Color of Wire	Signal Name
1	GR	SIDE INF LH+
2	L	SIDE INF LH-

Connector No.	B36
Connector Name	FRONT LH SEAT BELT PRE-TENSIONER
Connector Type	ACB02FY
Connector Color	YELLOW



Terminal No.	Color of Wire	Signal Name
1	P	ELR LH+
2	V	ELR LH-

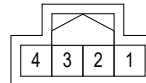
Connector No.	B37
Connector Name	FRONT SIDE AIR BAG SATELLITE SENSOR LH
Connector Type	RH02FB-EX
Connector Color	BLACK



Terminal No.	Color of Wire	Signal Name
1	G	SIDE SENS LH+

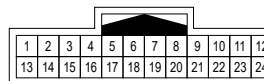
2	R	SIDE SENS LH-
---	---	---------------

Connector No.	B41
Connector Name	LUGGAGE ROOM LAMP
Connector Type	TH04FW-NH
Connector Color	WHITE



Terminal No.	Color of Wire	Signal Name
1	LA/L	BATTERY SAVER OUTPUT
2	-	-
3	-	-
4	LA/BR	LUGGAGE LAMP OUTPUT

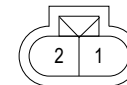
Connector No.	B42
Connector Name	WIRE TO WIRE
Connector Type	TH24MW-NH
Connector Color	WHITE



Terminal No.	Color of Wire	Signal Name
1	GR	TO MAIN HARNESS
2	GR	TO MAIN HARNESS
3	-	TO MAIN HARNESS
4	-	TO MAIN HARNESS
5	BR	TO MAIN HARNESS
6	LA/BR	TO MAIN HARNESS
7	BR	TO MAIN HARNESS
8	V	TO MAIN HARNESS
9	BR	TO MAIN HARNESS
10	V	TO MAIN HARNESS
11	G	TO MAIN HARNESS
12	W	TO MAIN HARNESS
13	G	TO MAIN HARNESS
14	Y	TO MAIN HARNESS
15	L	TO MAIN HARNESS
16	P	TO MAIN HARNESS
17	Y	TO MAIN HARNESS
18	LA/L	TO MAIN HARNESS

19	GR	TO MAIN HARNESS
20	SB	TO MAIN HARNESS
21	R	TO MAIN HARNESS
22	LG	TO MAIN HARNESS
23	R	TO MAIN HARNESS
24	B	TO MAIN HARNESS

Connector No.	B43
Connector Name	SUBWOOFER
Connector Type	RS02FGY
Connector Color	GRAY



Terminal No.	Color of Wire	Signal Name
1	P	WOOFER+ OUT 2
2	L	WOOFER- OUT 2

Connector No.	B45
Connector Name	WIRE TO WIRE
Connector Type	M04MW-LC
Connector Color	WHITE



Terminal No.	Color of Wire	Signal Name
1	-	TO BACK DOOR SUB-HARNESS
2	R	TO BACK DOOR SUB-HARNESS
3	B	TO BACK DOOR SUB-HARNESS
4	-	TO BACK DOOR SUB-HARNESS

Connector No.	B46
Connector Name	WIRE TO WIRE
Connector Type	NH10MW-CS10
Connector Color	WHITE



1	2	3	4	5	6
7	8	9	10	11	12
13	14	15	16	17	18
19	20				

Terminal No.	Color of Wire	Signal Name
1	R	TO BACK DOOR SUB-HARNESS
2	W	TO BACK DOOR SUB-HARNESS
3	BG	TO BACK DOOR SUB-HARNESS
4	GR	TO BACK DOOR SUB-HARNESS
5	-	TO BACK DOOR SUB-HARNESS
6	-	TO BACK DOOR SUB-HARNESS
7	-	TO BACK DOOR SUB-HARNESS
8	-	TO BACK DOOR SUB-HARNESS
9	R	TO BACK DOOR SUB-HARNESS
10	W	TO BACK DOOR SUB-HARNESS
11	V	TO BACK DOOR SUB-HARNESS
12	P	TO BACK DOOR SUB-HARNESS
13	-	TO BACK DOOR SUB-HARNESS
14	B	TO BACK DOOR SUB-HARNESS
15	SHIELD	TO BACK DOOR SUB-HARNESS
16	LG	TO BACK DOOR SUB-HARNESS
17	BR	TO BACK DOOR SUB-HARNESS
18	-	TO BACK DOOR SUB-HARNESS
19	-	TO BACK DOOR SUB-HARNESS
20	-	TO BACK DOOR SUB-HARNESS

Connector No.	B47
Connector Name	FRONT SEAT HEATER RH (WITHOUT REAR HEATED SEATS)
Connector Type	NS08FW-CS
Connector Color	WHITE

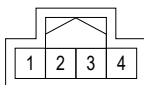


3	2	1
8	7	6
5	4	

Terminal No.	Color of Wire	Signal Name
1	LG	HEATER HIGH
2	B	GROUND
3	-	-

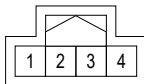
4	-	-
5	-	-
6	-	-
7	-	-
8	BR	HEATER LOW

Connector No.	B48
Connector Name	FRONT DOOR SWITCH LH
Connector Type	TH04FW-NH
Connector Color	WHITE



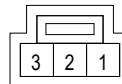
Terminal No.	Color of Wire	Signal Name
1	-	-
2	-	-
3	5B	DOOR SW (DR)
4	-	-

Connector No.	B49
Connector Name	FRONT DOOR SWITCH RH
Connector Type	TH04FW-NH
Connector Color	WHITE



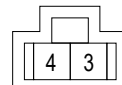
Terminal No.	Color of Wire	Signal Name
1	-	-
2	-	-
3	L	DOOR SW (AS)
4	-	-

Connector No.	B50
Connector Name	SEAT BELT BUCKLE SWITCH LH (WITHOUT DRIVER POWER SEAT)
Connector Type	TK03FW
Connector Color	WHITE



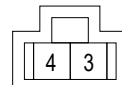
Terminal No.	Color of Wire	Signal Name
1	R	BUCKLE SW FR LH
2	B	GROUND
3	-	-

Connector No.	B51
Connector Name	FRONT RH SEAT BELT PRE-TENSIONER
Connector Type	ACB02FOR
Connector Color	ORANGE



Terminal No.	Color of Wire	Signal Name
3	GR	ELR RH2+
4	V	ELR RH2-

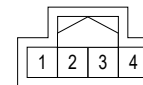
Connector No.	B52
Connector Name	FRONT LH SEAT BELT PRE-TENSIONER
Connector Type	ACB02FOR
Connector Color	ORANGE



Terminal No.	Color of Wire	Signal Name

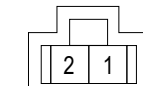
3	BR	ELR LH2+
4	R	ELR LH2-

Connector No.	B53
Connector Name	REAR DOOR SWITCH RH
Connector Type	TH04FW-NH
Connector Color	WHITE



Terminal No.	Color of Wire	Signal Name
1	-	-
2	-	-
3	P	DOOR SW (RR)
4	-	-

Connector No.	B56
Connector Name	RH SIDE CURTAIN AIR BAG MODULE
Connector Type	ACB02FY
Connector Color	YELLOW



Terminal No.	Color of Wire	Signal Name
1	Y	INF CURTAIN RH+
2	LG	INF CURTAIN RH-

Connector No.	B57
Connector Name	REAR LH SIDE AIR BAG MODULE
Connector Type	TK02FY-EX-1V
Connector Color	YELLOW



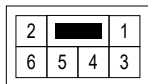
Terminal No.	Color of Wire	Signal Name
1	B	RS INF LH+
2	W	RS INF LH-

Connector No.	B58
Connector Name	REAR RH SIDE AIR BAG MODULE
Connector Type	TK02FY-EX-1V
Connector Color	YELLOW



Terminal No.	Color of Wire	Signal Name
1	B	RS INF RH+
2	W	RS INF RH-

Connector No.	B59
Connector Name	REAR COMBINATION LAMP RH
Connector Type	NS06MW-CS
Connector Color	WHITE



Terminal No.	Color of Wire	Signal Name
1	G	REVERSE LAMP RELAY OUTPUT
2	Y	STOP LAMP

3	-	-
4	LA/W	FLASHER OUTPUT (RIGHT)
5	B	GROUND
6	V	TAIL 1

Connector No.	B60
Connector Name	REAR SIDE AIR BAG SATELLITE SENSOR RH
Connector Type	RH02FB-EX
Connector Color	BLACK



Terminal No.	Color of Wire	Signal Name
1	Y	RR SATELLITE SENS RH+
2	L	RR SATELLITE SENS RH-

Connector No.	B61
Connector Name	REAR SIDE AIR BAG SATELLITE SENSOR LH
Connector Type	RH02FB-EX
Connector Color	BLACK



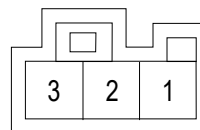
Terminal No.	Color of Wire	Signal Name
1	Y	RR SATELLITE SENS LH+
2	BR	RR SATELLITE SENS LH-

Connector No.	B62
Connector Name	WIRE TO WIRE
Connector Type	RS04FB-PR
Connector Color	BLACK



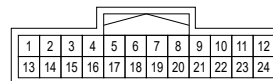
Terminal No.	Color of Wire	Signal Name
1	BR	TO CHASSIS HARNESS
2	W	TO CHASSIS HARNESS
3	GR	TO CHASSIS HARNESS
4	G	TO CHASSIS HARNESS

Connector No.	B63
Connector Name	CAN TERMINATOR 2 (ITS CAN COMMUNICATION)
Connector Type	24336 5SA0A
Connector Color	BLACK



Terminal No.	Color of Wire	Signal Name
1	B	GROUND
2	R	CAN-L
3	BR	CAN-H

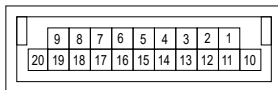
Connector No.	B64
Connector Name	CHASSIS CONTROL MODULE
Connector Type	TH24FW-NH
Connector Color	WHITE



Terminal No.	Color of Wire	Signal Name
1	-	-

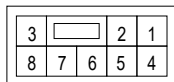
2	-	-
3	G	CAN-L
4	GR	CAN-H
5	-	-
6	-	-
7	-	-
8	Y	IC-CAN-L
9	LA/SB	STOP LAMP OFF RELAY-2
10	Y	POWER SWITCH ON POWER SUPPLY
11	GR	IC-CAN-H
12	B	GROUND
13	-	-
14	-	-
15	-	-
16	-	-
17	-	-
18	-	-
19	-	-
20	-	-
21	-	-
22	-	-
23	LA/V	STOP LAMP ON RELAY
24	LA/BG	STOP LAMP OFF RELAY-1

Connector No.	B65*
Connector Name	JOINT CONNECTOR-B01
Connector Type	NH20FL-DC
Connector Color	BLUE



Terminal No.	Color of Wire	Signal Name
1	SHIELD	BUS BAR A
2	B	BUS BAR A
3	SHIELD	BUS BAR A
4	SHIELD	BUS BAR A
5	SHIELD	BUS BAR A
6	-	BUS BAR B
7	-	BUS BAR B
8	-	BUS BAR B
9	-	BUS BAR B
10	B	BUS BAR C
11	SHIELD	BUS BAR C
12	SHIELD	BUS BAR C
13	SHIELD	BUS BAR D
14	SHIELD	BUS BAR D
15	SHIELD	BUS BAR D
16	SHIELD	BUS BAR D
17	SHIELD	BUS BAR E
18	-	BUS BAR E
19	-	BUS BAR E
20	-	BUS BAR E

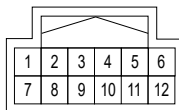
Connector No.	B66
Connector Name	WIRE TO WIRE
Connector Type	NS08FW-CS
Connector Color	WHITE



Terminal No.	Color of Wire	Signal Name
1	B	TO FRONT SEAT LH HARNESS
2	R	TO FRONT SEAT LH HARNESS
3	-	TO FRONT SEAT LH HARNESS
4	-	TO FRONT SEAT LH HARNESS

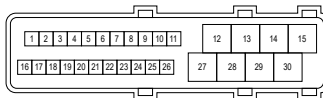
5	LG	TO FRONT SEAT LH HARNESS
6	Y	TO FRONT SEAT LH HARNESS
7	L	TO FRONT SEAT LH HARNESS
8	-	TO FRONT SEAT LH HARNESS

Connector No.	B69
Connector Name	ELECTRIC PARKING BRAKE SWITCH
Connector Type	TH12FW-NH
Connector Color	WHITE



Terminal No.	Color of Wire	Signal Name
1	BG	SW REL NC
2	BR	SW REL NO
3	SB	IND LED
4	G	SW APP NC
5	Y	SW SUP 1
6	P	SW SUP 2
7	W	BATTERY
8	B	ILL -
9	V	ILL +
10	R	SW APP NO
11	-	-
12	-	-

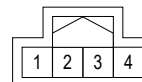
Connector No.	B70
Connector Name	ELECTRIC PARKING BRAKE CONTROL MODULE
Connector Type	AAA22FB-AJY8
Connector Color	BLACK



Terminal No.	Color of Wire	Signal Name
1	-	-
2	-	-
3	-	-
4	-	-
5	-	-
6	-	-

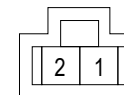
7	-	-
8	SB	DEMAND LAMP
9	BR	SW REL NO
10	BG	SW REL NC
11	P	SW SUP 2
12	GR	MOTOR R+
13	P	BATTERY MOTOR R
14	W	MOTOR L+
15	V	BATTERY MOTOR L
16	GR	CAN-H
17	G	CAN-L
18	R	SW APP NO
19	G	SW APP NC
20	Y	SW SUP 1
21	-	-
22	V	IGNITION
23	-	-
24	-	-
25	-	-
26	-	-
27	G	MOTOR R-
28	B	GROUND
29	BR	MOTOR L-
30	B	GROUND

Connector No.	B71
Connector Name	REAR DOOR SWITCH LH
Connector Type	TH04FW-NH
Connector Color	WHITE



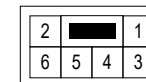
Terminal No.	Color of Wire	Signal Name
1	-	-
2	-	-
3	BG	DOOR SW (RL)
4	-	-

Connector No.	B72
Connector Name	LH SIDE CURTAIN AIR BAG MODULE
Connector Type	ACB02FY
Connector Color	YELLOW



Terminal No.	Color of Wire	Signal Name
1	G	INF CURTAIN LH+
2	R	INF CURTAIN LH-

Connector No.	B80
Connector Name	REAR COMBINATION LAMP LH
Connector Type	NS06MW-CS
Connector Color	WHITE



Terminal No.	Color of Wire	Signal Name
1	G	REVERSE LAMP RELAY OUTPUT
2	P	STOP LAMP
3	-	-
4	LA/SB	FLASHER OUTPUT (LEFT)
5	B	GROUND
6	GR	TAIL 2

*: PIN-OUTS MAY BE IN NO SPECIFIC ORDER ON A COMMON BUS BAR IN JOINT CONNECTORS.

Connector No.	B81
Connector Name	INSIDE KEY ANTENNA (REAR SEAT)
Connector Type	RK02FL
Connector Color	BLUE



Terminal No.	Color of Wire	Signal Name
1	G	ROOM ANTENNA 2 +
2	R	ROOM ANTENNA 2 -

Connector No.	B82
Connector Name	INSIDE KEY ANTENNA (LUGGAGE ROOM)
Connector Type	RK02FL
Connector Color	BLUE



Terminal No.	Color of Wire	Signal Name
1	V	ROOM ANTENNA 3 +
2	LG	ROOM ANTENNA 3 -

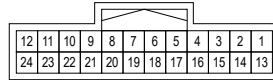
Connector No.	B83
Connector Name	OUTSIDE KEY ANTENNA (REAR BUMPER)
Connector Type	RK02FL
Connector Color	BLUE



Terminal No.	Color of Wire	Signal Name
1	W	BACK DOOR ANTENNA +

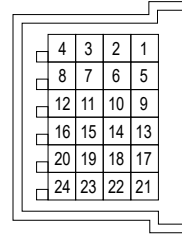
2	B	BACK DOOR ANTENNA -
---	---	---------------------

Connector No.	B84
Connector Name	SONAR CONTROL UNIT
Connector Type	TH24FW-NH
Connector Color	WHITE



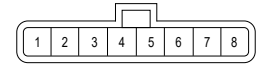
Terminal No.	Color of Wire	Signal Name
1	-	-
2	-	-
3	-	-
4	-	-
5	BR	V CAN-H
6	R	V CAN-L
7	-	-
8	-	-
9	B	RIR SENSOR SIGNAL
10	P	ROR SENSOR SIGNAL
11	-	-
12	BR	IGNITION
13	-	-
14	GR	RR SENSOR GROUND
15	B	GROUND
16	-	-
17	-	-
18	-	-
19	-	-
20	-	-
21	G	RIL SENSOR SIGNAL
22	LG	ROL SENSOR SIGNAL
23	L	REAR SENSOR POWER
24	-	-

Connector No.	B85*
Connector Name	JOINT CONNECTOR-B02
Connector Type	NH24FGY-J
Connector Color	GRAY



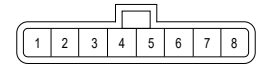
Terminal No.	Color of Wire	Signal Name
1	G	BUS BAR A
2	GR	BUS BAR B
3	R	BUS BAR C
4	BR	BUS BAR D
5	G	BUS BAR A
6	GR	BUS BAR B
7	R	BUS BAR C
8	BR	BUS BAR D
9	G	BUS BAR A
10	GR	BUS BAR B
11	R	BUS BAR C
12	BR	BUS BAR D
13	R	BUS BAR E
14	-	BUS BAR F
15	R	BUS BAR C
16	BR	BUS BAR D
17	LG	BUS BAR E
18	-	BUS BAR F
19	R	BUS BAR C
20	BR	BUS BAR D
21	R	BUS BAR E
22	-	BUS BAR F
23	-	BUS BAR C
24	-	BUS BAR D

Connector No.	B86
Connector Name	SIDE RADAR LH
Connector Type	JAD08FB-5P
Connector Color	BLACK



Terminal No.	Color of Wire	Signal Name
1	-	-
2	-	-
3	-	-
4	V	BSW INDICATOR SIGNAL
5	GR	IGNITION POWER SUPPLY
6	BR	ITS CAN COMMUNICATION-H
7	R	ITS CAN COMMUNICATION-L
8	B	GROUND

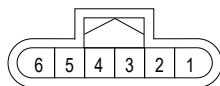
Connector No.	B87
Connector Name	SIDE RADAR RH
Connector Type	JAD08FB-6P
Connector Color	BLACK



Terminal No.	Color of Wire	Signal Name
1	-	-
2	-	-
3	B	LEFT/RIGHT SWITCHING SIGNAL
4	SB	BSW INDICATOR SIGNAL
5	GR	IGNITION POWER SUPPLY
6	BR	ITS CAN COMMUNICATION-H
7	R	ITS CAN COMMUNICATION-L
8	B	GROUND

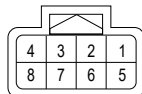
*: PIN-OUTS MAY BE IN NO SPECIFIC ORDER ON A COMMON BUS BAR IN JOINT CONNECTORS.

Connector No.	B88
Connector Name	WIRE TO WIRE
Connector Type	RH06FB
Connector Color	BLACK



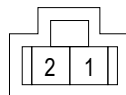
Terminal No.	Color of Wire	Signal Name
1	LG	TO REAR SONAR SUB-HARNESS
2	GR	TO REAR SONAR SUB-HARNESS
3	B	TO REAR SONAR SUB-HARNESS
4	GR	TO REAR SONAR SUB-HARNESS
5	-	TO REAR SONAR SUB-HARNESS
6	-	TO REAR SONAR SUB-HARNESS

Connector No.	B89
Connector Name	WIRE TO WIRE
Connector Type	RH08FB
Connector Color	BLACK



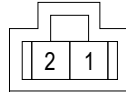
Terminal No.	Color of Wire	Signal Name
1	-	TO REAR SONAR SUB-HARNESS
2	P	TO REAR SONAR SUB-HARNESS
3	G	TO REAR SONAR SUB-HARNESS
4	-	TO REAR SONAR SUB-HARNESS
5	-	TO REAR SONAR SUB-HARNESS
6	GR	TO REAR SONAR SUB-HARNESS
7	GR	TO REAR SONAR SUB-HARNESS
8	L	TO REAR SONAR SUB-HARNESS

Connector No.	B90
Connector Name	REAR RH SEAT BELT PRE-TENSIONER (SHOULDER BELT)
Connector Type	ACB02FY
Connector Color	YELLOW



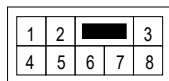
Terminal No.	Color of Wire	Signal Name
1	L	RP RH+
2	P	RP RH-

Connector No.	B91
Connector Name	REAR LH SEAT BELT PRE-TENSIONER (SHOULDER BELT)
Connector Type	ACB02FY
Connector Color	YELLOW



Terminal No.	Color of Wire	Signal Name
1	L	RP LH+
2	W	RP LH-

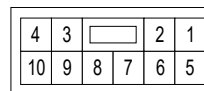
Connector No.	B250
Connector Name	WIRE TO WIRE
Connector Type	NS08MW-CS
Connector Color	WHITE



Terminal No.	Color of Wire	Signal Name
1	B	TO BODY HARNESS
2	L	TO BODY HARNESS
3	-	TO BODY HARNESS

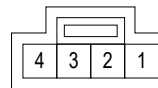
4	-	TO BODY HARNESS
5	R	TO BODY HARNESS
6	R	TO BODY HARNESS
7	W	TO BODY HARNESS
8	-	TO BODY HARNESS

Connector No.	B251
Connector Name	POWER SEAT SWITCH LH
Connector Type	NS10FW-CS
Connector Color	WHITE



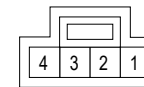
Terminal No.	Color of Wire	Signal Name
1	P	LIFTER (FRONT) (DOWNWARD)
2	G	LIFTER (FRONT) (UPWARD)
3	R	POWER WINDOW POWER SUPPLY (BATTERY)
4	B	GROUND
5	W	RCL (FORWARD)
6	V	SLIDE (BACKWARD)
7	P	SLIDE (FORWARD)
8	GR	LIFTER (REAR) (DOWNWARD)
9	O	LIFTER (REAR) (UPWARD)
10	Y	RCL (BACKWARD)

Connector No.	B252
Connector Name	LUMBAR SUPPORT SWITCH
Connector Type	-
Connector Color	WHITE



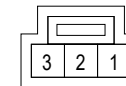
Terminal No.	Color of Wire	Signal Name
1	R	POWER WINDOW POWER SUPPLY (BATTERY)
2	B	GROUND
3	Y	BACKWARD
4	G	FORWARD

Connector No.	B253
Connector Name	FRONT SEAT HEATER LH (WITH DRIVER POWER SEAT)
Connector Type	-
Connector Color	WHITE



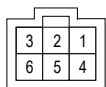
Terminal No.	Color of Wire	Signal Name
1	B	GROUND
2	-	-
3	W	HEATER LOW
4	R	HEATER HIGH

Connector No.	B254
Connector Name	SEAT BELT BUCKLE SWITCH LH (WITH DRIVER POWER SEAT)
Connector Type	TK03FW
Connector Color	WHITE



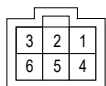
Terminal No.	Color of Wire	Signal Name
1	L	BUCKLE SW FR DR
2	B	GROUND
3	-	-

Connector No.	B255
Connector Name	LIFTING MOTOR (FRONT)
Connector Type	-
Connector Color	BLACK



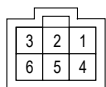
Terminal No.	Color of Wire	Signal Name
1	-	-
2	-	-
3	-	-
4	P	DOWNWARD
5	-	-
6	G	UPWARD

Connector No.	B256
Connector Name	LIFTING MOTOR (REAR)
Connector Type	-
Connector Color	BLACK



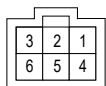
Terminal No.	Color of Wire	Signal Name
1	-	-
2	-	-
3	-	-
4	GR	DOWNWARD
5	-	-
6	O	UPWARD

Connector No.	B257
Connector Name	SLIDING MOTOR
Connector Type	-
Connector Color	BLACK



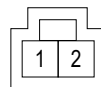
Terminal No.	Color of Wire	Signal Name
1	-	-
2	-	-
3	-	-
4	V	BACKWARD
5	-	-
6	P	FORWARD

Connector No.	B258
Connector Name	RECLINING MOTOR
Connector Type	-
Connector Color	BLACK



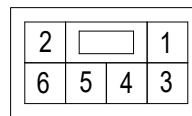
Terminal No.	Color of Wire	Signal Name
1	-	-
2	-	-
3	-	-
4	W	FORWARD
5	-	-
6	Y	BACKWARD

Connector No.	B259
Connector Name	LUMBAR SUPPORT MOTOR
Connector Type	-
Connector Color	BLACK



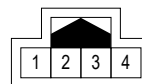
Terminal No.	Color of Wire	Signal Name
1	Y	BACKWARD
2	G	FORWARD

Connector No.	B302
Connector Name	REAR HEATED SEAT SWITCH
Connector Type	NS06FBR-CS
Connector Color	BROWN



Terminal No.	Color of Wire	Signal Name
1	P	TAIL 1
2	V	ILL CONT OUT
3	B	GROUND
4	O	HEATER LOW
5	BR	REAR HEATED SEAT RELAY OUTPUT
6	Y	HEATER HIGH

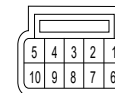
Connector No.	B350
Connector Name	WIRE TO WIRE
Connector Type	TH04MW-NH
Connector Color	WHITE



Terminal No.	Color of Wire	Signal Name
1	GR	TO BODY HARNESS

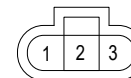
2	B	TO BODY HARNESS
3	BR/W	TO BODY HARNESS
4	W	TO BODY HARNESS

Connector No.	B351
Connector Name	OCCUPANT CLASSIFICATION SYSTEM CONTROL UNIT
Connector Type	RH10FB
Connector Color	BLACK



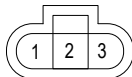
Terminal No.	Color of Wire	Signal Name
1	LG	LOAD SENSOR FRONT INNER SIGNAL
2	W/L	LOAD SENSOR REAR INNER GROUND
3	SB	LOAD SENSOR REAR INNER SIGNAL
4	R	LOAD SENSOR FRONT INNER VCC
5	W	IGNITION
6	B	GROUND
7	BR/W	ACU COMM
8	R/B	LOAD SENSOR FRONT INNER GROUND
9	GR	K-LINE
10	Y	LOAD SENSOR REAR INNER VCC

Connector No.	B352
Connector Name	OCCUPANT CLASSIFICATION SYSTEM SENSOR (FRONT INNER)
Connector Type	HS3P
Connector Color	BLACK



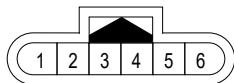
Terminal No.	Color of Wire	Signal Name
1	R/B	LOAD SENSOR FRONT INNER GROUND
2	LG	LOAD SENSOR FRONT INNER SIGNAL
3	R	LOAD SENSOR FRONT INNER VCC

Connector No.	B353
Connector Name	OCCUPANT CLASSIFICATION SYSTEM SENSOR (REAR INNER)
Connector Type	HS3P
Connector Color	BLACK



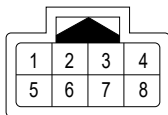
Terminal No.	Color of Wire	Signal Name
1	W/L	LOAD SENSOR REAR INNER GROUND
2	SB	LOAD SENSOR REAR INNER SIGNAL
3	Y	LOAD SENSOR REAR INNER VCC

Connector No.	B400
Connector Name	WIRE TO WIRE
Connector Type	RH06MB
Connector Color	BLACK



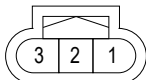
Terminal No.	Color of Wire	Signal Name
1	LG	TO BODY HARNESS
2	GR	TO BODY HARNESS
3	B	TO BODY HARNESS
4	W	TO BODY HARNESS
5	-	TO BODY HARNESS
6	-	TO BODY HARNESS

Connector No.	B401
Connector Name	WIRE TO WIRE
Connector Type	RH08MB
Connector Color	BLACK



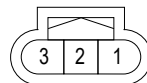
Terminal No.	Color of Wire	Signal Name
1	-	TO BODY HARNESS
2	P	TO BODY HARNESS
3	G	TO BODY HARNESS
4	-	TO BODY HARNESS
5	-	TO BODY HARNESS
6	GR	TO BODY HARNESS
7	B	TO BODY HARNESS
8	L	TO BODY HARNESS

Connector No.	B402
Connector Name	REAR SONAR SENSOR LH OUTER
Connector Type	RH03FB
Connector Color	BLACK



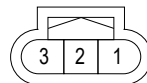
Terminal No.	Color of Wire	Signal Name
1	GR	GROUND
2	LG	SIGNAL
3	L	POWER

Connector No.	B403
Connector Name	REAR SONAR SENSOR RH OUTER
Connector Type	RH03FB
Connector Color	BLACK



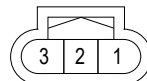
Terminal No.	Color of Wire	Signal Name
1	GR	GROUND
2	P	SIGNAL
3	L	POWER

Connector No.	B404
Connector Name	REAR SONAR SENSOR LH INNER
Connector Type	RH03FB
Connector Color	BLACK



Terminal No.	Color of Wire	Signal Name
1	B	GROUND
2	G	SIGNAL
3	R	POWER

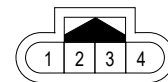
Connector No.	B405
Connector Name	REAR SONAR SENSOR RH INNER
Connector Type	RH03FB
Connector Color	BLACK



Terminal No.	Color of Wire	Signal Name
--------------	---------------	-------------

1	W	GROUND
2	B	SIGNAL
3	R	POWER

Connector No.	C1
Connector Name	WIRE TO WIRE
Connector Type	RH04MB
Connector Color	BLACK



Terminal No.	Color of Wire	Signal Name
1	BR	TO BODY HARNESS
2	LG	TO BODY HARNESS
3	B	TO BODY HARNESS
4	GR	TO BODY HARNESS

Connector No.	C2
Connector Name	REAR WHEEL SENSOR RH
Connector Type	RH02MGY
Connector Color	GRAY



Terminal No.	Color of Wire	Signal Name
1	LG	RR-RH SENSOR
2	BR	RR-RH SENSOR VB

Connector No.	C3
Connector Name	REAR WHEEL SENSOR LH
Connector Type	RH02MGY
Connector Color	GRAY



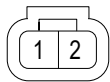
Terminal No.	Color of Wire	Signal Name
1	GR	RR-LH SENSOR
2	B	RR-LH SENSOR VB

Connector No.	C11
Connector Name	WIRE TO WIRE
Connector Type	RS04MB
Connector Color	BLACK



Terminal No.	Color of Wire	Signal Name
1	R	TO BODY HARNESS
2	W	TO BODY HARNESS
3	L	TO BODY HARNESS
4	G	TO BODY HARNESS

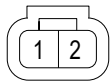
Connector No.	C12
Connector Name	WIRE TO WIRE
Connector Type	X02FB
Connector Color	BLACK



Terminal No.	Color of Wire	Signal Name
1	L	TO ELECTRIC PARKING BRAKE SUB-HARNESS RH

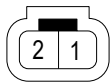
2	G	TO ELECTRIC PARKING BRAKE SUB-HARNESS RH
---	---	--

Connector No.	C13
Connector Name	WIRE TO WIRE
Connector Type	X02FB
Connector Color	BLACK



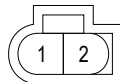
Terminal No.	Color of Wire	Signal Name
1	W	TO ELECTRIC PARKING BRAKE SUB-HARNESS LH
2	R	TO ELECTRIC PARKING BRAKE SUB-HARNESS LH

Connector No.	C101
Connector Name	WIRE TO WIRE
Connector Type	X02MB
Connector Color	BLACK



Terminal No.	Color of Wire	Signal Name
1	B	TO CHASSIS HARNESS
2	W	TO CHASSIS HARNESS

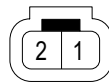
Connector No.	C102
Connector Name	PARKING BRAKE ACTUATOR RH
Connector Type	2-1355200-2
Connector Color	BLACK



Terminal No.	Color of Wire	Signal Name

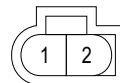
1	W	MOTOR R+
2	B	MOTOR R-

Connector No.	C111
Connector Name	WIRE TO WIRE
Connector Type	X02MB
Connector Color	BLACK



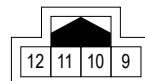
Terminal No.	Color of Wire	Signal Name
1	B	TO CHASSIS HARNESS
2	W	TO CHASSIS HARNESS

Connector No.	C112
Connector Name	PARKING BRAKE ACTUATOR LH
Connector Type	2-1355200-2
Connector Color	BLACK



Terminal No.	Color of Wire	Signal Name
1	W	MOTOR L+
2	B	MOTOR L-

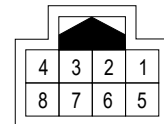
Connector No.	D3
Connector Name	DOOR MIRROR LH
Connector Type	TH04MW-NH
Connector Color	WHITE



Terminal No.	Color of Wire	Signal Name
9	B	SV2 POWER

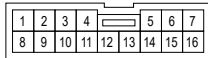
10	W	SV2 GROUND
11	SHIELD	SV2 VIDEO GROUND
12	R	SV2 VIDEO+

Connector No.	D4
Connector Name	DOOR MIRROR LH
Connector Type	TH08MW-NH
Connector Color	WHITE



Terminal No.	Color of Wire	Signal Name
1	LG	STL+
2	B	GROUND
3	BR	BSW+
4	B	BSW-
5	Y	MB
6	BG	MC
7	W	MA
8	P	RR DEF

Connector No.	D5
Connector Name	DOOR MIRROR REMOTE CONTROL SWITCH
Connector Type	TK16FW
Connector Color	WHITE



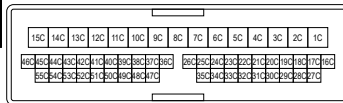
Connector No.	D15
Connector Name	FRONT OUTSIDE HANDLE LH (REQUEST SWITCH)
Connector Type	RH02FB
Connector Color	BLACK



Terminal No.	Color of Wire	Signal Name
1	B	GROUND
2	-	-
3	-	-
4	-	-
5	-	-
6	-	-
7	BG	ACCESSORY
8	B	+ILL
9	V	-ILL
10	BG	MC LH
11	-	-
12	BR	MC RH
13	LG	MB RH
14	Y	MB LH
15	L	MA RH
16	W	MA LH

Terminal No.	Color of Wire	Signal Name
1	LG	REQUEST SW (DR)
2	B	GROUND

Connector No.	D22
Connector Name	WIRE TO WIRE
Connector Type	TH40FW-CS15
Connector Color	WHITE



Connector No.	D6
Connector Name	FRONT OUTSIDE HANDLE LH (OUTSIDE KEY ANTENNA)
Connector Type	RK02ML
Connector Color	BLUE



Terminal No.	Color of Wire	Signal Name
1	P	DOOR ANTENNA (DR) +
2	V	DOOR ANTENNA (DR) -

Terminal No.	Color of Wire	Signal Name
1C	V	TO MAIN HARNESS
2C	R	TO MAIN HARNESS
3C	SB	TO MAIN HARNESS
4C	V	TO MAIN HARNESS
5C	SB	TO MAIN HARNESS
6C	W	TO MAIN HARNESS
7C	Y	TO MAIN HARNESS
8C	LG	TO MAIN HARNESS
9C	BR	TO MAIN HARNESS
10C	P	TO MAIN HARNESS
11C	V	TO MAIN HARNESS (WITHOUT BOSE AUDIO SYSTEM)
11C	G	TO MAIN HARNESS (WITH BOSE AUDIO SYSTEM)
12C	R	TO MAIN HARNESS (WITH BOSE AUDIO SYSTEM)
12C	L	TO MAIN HARNESS (WITHOUT BOSE AUDIO SYSTEM)
13C	SHIELD	TO MAIN HARNESS
14C	P	TO MAIN HARNESS
15C	B	TO MAIN HARNESS
16C	BG	TO MAIN HARNESS
17C	BR	TO MAIN HARNESS

18C	LG	TO MAIN HARNESS
19C	L	TO MAIN HARNESS
20C	V	TO MAIN HARNESS
21C	LG	TO MAIN HARNESS
22C	B	TO MAIN HARNESS
23C	R	TO MAIN HARNESS
24C	L	TO MAIN HARNESS
25C	P	TO MAIN HARNESS
26C	V	TO MAIN HARNESS
27C	G	TO MAIN HARNESS
28C	Y	TO MAIN HARNESS
29C	BR	TO MAIN HARNESS
30C	LG	TO MAIN HARNESS
31C	BR	TO MAIN HARNESS
32C	B	TO MAIN HARNESS
33C	W	TO MAIN HARNESS
34C	R	TO MAIN HARNESS
35C	SHIELD	TO MAIN HARNESS
36C	R	TO MAIN HARNESS
37C	G	TO MAIN HARNESS
38C	SHIELD	TO MAIN HARNESS
39C	-	TO MAIN HARNESS
40C	-	TO MAIN HARNESS
41C	-	TO MAIN HARNESS
42C	-	TO MAIN HARNESS
43C	-	TO MAIN HARNESS
44C	-	TO MAIN HARNESS
45C	-	TO MAIN HARNESS
46C	-	TO MAIN HARNESS
47C	-	TO MAIN HARNESS
48C	-	TO MAIN HARNESS
49C	-	TO MAIN HARNESS
50C	-	TO MAIN HARNESS
51C	-	TO MAIN HARNESS
52C	-	TO MAIN HARNESS
53C	-	TO MAIN HARNESS
54C	-	TO MAIN HARNESS
55C	-	TO MAIN HARNESS

Connector No.	D23
Connector Name	FRONT DOOR SPEAKER LH (WITHOUT BOSE AUDIO SYSTEM)
Connector Type	NS02FW-CS
Connector Color	WHITE



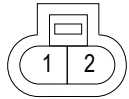
Terminal No.	Color of Wire	Signal Name
1	V	FR LH SP+
2	L	FR LH SP-

Connector No.	D24
Connector Name	FRONT DOOR SPEAKER LH (WITH BOSE AUDIO SYSTEM)
Connector Type	NS02FBR-CS
Connector Color	BROWN



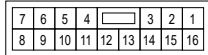
Terminal No.	Color of Wire	Signal Name
1	G	6.5 INCH SP LH+ OUT
2	R	6.5 INCH SP LH- OUT

Connector No.	D25
Connector Name	FRONT DOOR SATELLITE SENSOR LH
Connector Type	HK02FY-1V-EX
Connector Color	YELLOW



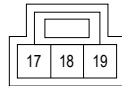
Terminal No.	Color of Wire	Signal Name
1	G	SIDE SENS LH2+
2	R	SIDE SENS LH2-

Connector No.	D35
Connector Name	MAIN POWER WINDOW AND DOOR LOCK/UNLOCK SWITCH
Connector Type	NS16FW-CS
Connector Color	WHITE



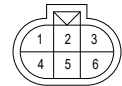
Terminal No.	Color of Wire	Signal Name
1	B	GROUND
2	SB	MOTOR DN AS
3	Y	LOCK SW
4	W	ENCODER SIG2
5	Y	ENCODER SIG1
6	Y	MOTOR DN RR
7	LG	MOTOR UP RR
8	BR	MOTOR DN RL
9	P	MOTOR UP RL
10	V	IGNITION
11	-	-
12	R	ENCODER GROUND
13	-	-
14	G	ENCODER +
15	BR	UNLOCK SW
16	W	MOTOR UP AS

Connector No.	D36
Connector Name	MAIN POWER WINDOW AND DOOR LOCK/UNLOCK SWITCH
Connector Type	NS03FW-CS
Connector Color	WHITE



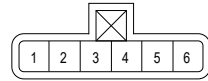
Terminal No.	Color of Wire	Signal Name
17	L	MOTOR UP DR
18	R	BATTERY
19	GR	MOTOR DN DR

Connector No.	D37
Connector Name	FRONT POWER WINDOW MOTOR LH
Connector Type	RS06FG-DGY
Connector Color	GREEN



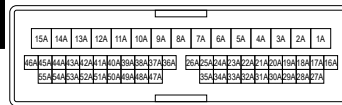
Terminal No.	Color of Wire	Signal Name
1	GR	MOTOR DN DR
2	G	ENCODER+
3	L	MOTOR UP DR
4	R	ENCODER GROUND
5	W	ENCODER SIG 2
6	Y	ENCODER SIG 1

Connector No.	D38
Connector Name	FRONT DOOR LOCK ASSEMBLY LH
Connector Type	E06FGY-RS
Connector Color	GRAY



Terminal No.	Color of Wire	Signal Name
1	V	DOOR LOCK OUTPUT
2	SB	DOOR UNLOCK COMMON (DR)
3	G	DOOR LOCK STATUS SW (DR)
4	B	GROUND
5	L	KEY CYLINDER UNLOCK SW
6	R	KEY CYLINDER LOCK SW

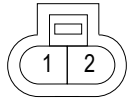
Connector No.	D102
Connector Name	WIRE TO WIRE
Connector Type	TH40FW-CS15
Connector Color	WHITE



Terminal No.	Color of Wire	Signal Name
1A	Y	TO MAIN HARNESS
2A	V	TO MAIN HARNESS
3A	BR	TO MAIN HARNESS
4A	Y	TO MAIN HARNESS
5A	W	TO MAIN HARNESS
6A	SB	TO MAIN HARNESS
7A	R	TO MAIN HARNESS
8A	BR	TO MAIN HARNESS (WITHOUT BOSE AUDIO SYSTEM)
8A	L	TO MAIN HARNESS (WITH BOSE AUDIO SYSTEM)
9A	P	TO MAIN HARNESS (WITH BOSE AUDIO SYSTEM)
9A	R	TO MAIN HARNESS (WITHOUT BOSE AUDIO SYSTEM)
10A	SHIELD	TO MAIN HARNESS
11A	B	TO MAIN HARNESS
12A	-	TO MAIN HARNESS
13A	-	TO MAIN HARNESS

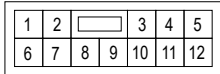
14A	-	TO MAIN HARNESS
15A	-	TO MAIN HARNESS
16A	V	TO MAIN HARNESS
17A	W	TO MAIN HARNESS
18A	BG	TO MAIN HARNESS
19A	Y	TO MAIN HARNESS
20A	LG	TO MAIN HARNESS
21A	P	TO MAIN HARNESS
22A	B	TO MAIN HARNESS
23A	R	TO MAIN HARNESS
24A	SB	TO MAIN HARNESS
25A	V	TO MAIN HARNESS
26A	-	TO MAIN HARNESS
27A	G	TO MAIN HARNESS
28A	L	TO MAIN HARNESS
29A	Y	TO MAIN HARNESS
30A	SHIELD	TO MAIN HARNESS
31A	-	TO MAIN HARNESS
32A	-	TO MAIN HARNESS
33A	-	TO MAIN HARNESS
34A	-	TO MAIN HARNESS
35A	-	TO MAIN HARNESS
36A	BR	TO MAIN HARNESS
37A	Y	TO MAIN HARNESS
38A	SHIELD	TO MAIN HARNESS
39A	-	TO MAIN HARNESS
40A	-	TO MAIN HARNESS
41A	-	TO MAIN HARNESS
42A	-	TO MAIN HARNESS
43A	-	TO MAIN HARNESS
44A	-	TO MAIN HARNESS
45A	-	TO MAIN HARNESS
46A	-	TO MAIN HARNESS
47A	-	TO MAIN HARNESS
48A	-	TO MAIN HARNESS
49A	-	TO MAIN HARNESS
50A	-	TO MAIN HARNESS
51A	-	TO MAIN HARNESS
52A	-	TO MAIN HARNESS
53A	-	TO MAIN HARNESS
54A	-	TO MAIN HARNESS
55A	-	TO MAIN HARNESS

Connector No.	D103
Connector Name	FRONT DOOR SATELLITE SENSOR RH
Connector Type	HK02FY-1V-EX
Connector Color	YELLOW



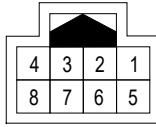
Terminal No.	Color of Wire	Signal Name
1	Y	SIDE SENS RH2+
2	BR	SIDE SENS RH2-

Connector No.	D104
Connector Name	POWER WINDOW AND DOOR LOCK/UNLOCK SWITCH RH
Connector Type	NS12FW-CS
Connector Color	WHITE



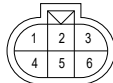
Terminal No.	Color of Wire	Signal Name
1	Y	LOCK
2	BR	UNLOCK
3	B	GROUND
4	-	-
5	-	-
6	Y	ASST DN (MOTOR)
7	R	ASST UP (MOTOR)
8	R	IGNITION
9	-	-
10	-	-
11	SB	MAIN DN
12	W	MAIN UP

Connector No.	D105
Connector Name	DOOR MIRROR RH
Connector Type	TH08MW-NH
Connector Color	WHITE



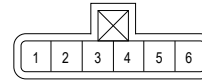
Terminal No.	Color of Wire	Signal Name
1	R	STL+
2	B	GROUND
3	SB	BSW+
4	B	BSW-
5	W	MB
6	BG	MC
7	V	MA
8	V	RR DEF

Connector No.	D106
Connector Name	FRONT POWER WINDOW MOTOR RH
Connector Type	RS06FG-2P-LGY
Connector Color	GREEN



Terminal No.	Color of Wire	Signal Name
1	Y	DOWN
2	-	-
3	R	UP
4	-	-
5	-	-
6	-	-

Connector No.	D107
Connector Name	FRONT DOOR LOCK ACTUATOR RH
Connector Type	E06FGY-RS
Connector Color	GRAY



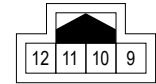
Terminal No.	Color of Wire	Signal Name
1	-	-
2	-	-
3	-	-
4	-	-
5	V	DOOR LOCK OUTPUT
6	Y	DOOR UNLOCK OUTPUT (AS)

Connector No.	D108
Connector Name	FRONT OUTSIDE HANDLE RH (OUTSIDE KEY ANTENNA)
Connector Type	RK02ML
Connector Color	BLUE



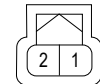
Terminal No.	Color of Wire	Signal Name
1	LG	DOOR ANTENNA (AS) +
2	Y	DOOR ANTENNA (AS) -

Connector No.	D109
Connector Name	DOOR MIRROR RH
Connector Type	TH04MW-NH
Connector Color	WHITE



Terminal No.	Color of Wire	Signal Name
9	G	SV1 POWER
10	L	SV1 GROUND
11	SHIELD	SV1 VIDEO GROUND
12	Y	SV1 VIDEO+

Connector No.	D115
Connector Name	FRONT OUTSIDE HANDLE RH (REQUEST SWITCH)
Connector Type	RH02FB
Connector Color	BLACK



Terminal No.	Color of Wire	Signal Name
1	P	REQUEST SWITCH (AS)
2	B	GROUND

Connector No.	D123
Connector Name	FRONT DOOR SPEAKER RH (WITHOUT BOSE AUDIO SYSTEM)
Connector Type	NS02FW-CS
Connector Color	WHITE



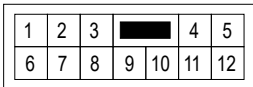
Terminal No.	Color of Wire	Signal Name
1	R	FR RH SP+
2	BR	FR RH SP-

Connector No.	D124
Connector Name	FRONT DOOR SPEAKER RH (WITH BOSE AUDIO SYSTEM)
Connector Type	NS02FBR-CS
Connector Color	BROWN



Terminal No.	Color of Wire	Signal Name
1	P	6.5 INCH SP RH+ OUT
2	L	6.5 INCH SP RH- OUT

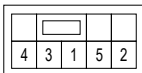
Connector No.	D201
Connector Name	WIRE TO WIRE
Connector Type	NS12MW-CS
Connector Color	WHITE



Terminal No.	Color of Wire	Signal Name
1	LG	TO BODY HARNESS (WITHOUT BOSE AUDIO SYSTEM)

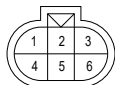
1	R	TO BODY HARNESS (WITH BOSE AUDIO SYSTEM)
2	G	TO BODY HARNESS (WITH BOSE AUDIO SYSTEM)
2	V	TO BODY HARNESS (WITHOUT BOSE AUDIO SYSTEM)
3	SHIELD	TO BODY HARNESS
4	-	TO BODY HARNESS
5	-	TO BODY HARNESS
6	Y	TO BODY HARNESS
7	L	TO BODY HARNESS
8	BR	TO BODY HARNESS
9	V	TO BODY HARNESS
10	G	TO BODY HARNESS
11	-	TO BODY HARNESS
12	-	TO BODY HARNESS

Connector No.	D202
Connector Name	REAR POWER WINDOW SWITCH LH
Connector Type	NS08FW-CS
Connector Color	WHITE



Terminal No.	Color of Wire	Signal Name
1	L	IGNITION
2	BR	MAIN UP
3	Y	MAIN DOWN
4	G	MOTOR DOWN
5	R	MOTOR UP

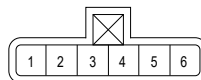
Connector No.	D203
Connector Name	REAR POWER WINDOW MOTOR LH
Connector Type	RS06FG-2P-LGY
Connector Color	GREEN



Terminal No.	Color of Wire	Signal Name
1	G	DOWN
2	-	-

3	R	UP
4	-	-
5	-	-
6	-	-

Connector No.	D204
Connector Name	REAR DOOR LOCK ACTUATOR LH
Connector Type	E06FGY-RS
Connector Color	GRAY



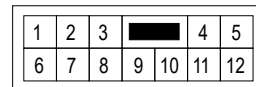
Terminal No.	Color of Wire	Signal Name
1	V	DOOR LOCK OUTPUT
2	G	DOOR UNLOCK OUTPUT (RR, RL)
3	-	-
4	-	-
5	-	-
6	-	-

Connector No.	D205
Connector Name	REAR DOOR SPEAKER LH
Connector Type	NS02FW-CS
Connector Color	WHITE



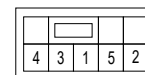
Terminal No.	Color of Wire	Signal Name
1	V	RR LH SP+ (WITHOUT BOSE AUDIO SYSTEM)
1	R	5.25 INCH SP LH+ OUT (WITH BOSE AUDIO SYSTEM)
2	G	5.25 INCH SP LH- OUT (WITH BOSE AUDIO SYSTEM)
2	LG	RR LH SP- (WITHOUT BOSE AUDIO SYSTEM)

Connector No.	D301
Connector Name	WIRE TO WIRE
Connector Type	NS12MW-CS
Connector Color	WHITE



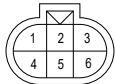
Terminal No.	Color of Wire	Signal Name
1	LG	TO BODY HARNESS (WITHOUT BOSE AUDIO SYSTEM)
1	L	TO BODY HARNESS (WITH BOSE AUDIO SYSTEM)
2	P	TO BODY HARNESS
3	SHIELD	TO BODY HARNESS
4	-	TO BODY HARNESS
5	-	TO BODY HARNESS
6	Y	TO BODY HARNESS
7	L	TO BODY HARNESS
8	LG	TO BODY HARNESS
9	V	TO BODY HARNESS
10	G	TO BODY HARNESS
11	-	TO BODY HARNESS
12	-	TO BODY HARNESS

Connector No.	D302
Connector Name	REAR POWER WINDOW SWITCH RH
Connector Type	NS08FW-CS
Connector Color	WHITE



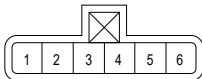
Terminal No.	Color of Wire	Signal Name
1	L	IGNITION
2	LG	MAIN UP
3	Y	MAIN DOWN
4	G	MOTOR DOWN
5	R	MOTOR UP

Connector No.	D303
Connector Name	REAR POWER WINDOW MOTOR RH
Connector Type	RS06FG-2P-LGY
Connector Color	GREEN



Terminal No.	Color of Wire	Signal Name
1	G	DOWN
2	-	-
3	R	UP
4	-	-
5	-	-
6	-	-

Connector No.	D304
Connector Name	REAR DOOR LOCK ACTUATOR RH
Connector Type	E06FGY-RS
Connector Color	GRAY



Terminal No.	Color of Wire	Signal Name
1	-	-
2	-	-
3	-	-
4	-	-
5	V	DOOR LOCK OUTPUT
6	G	DOOR UNLOCK OUTPUT (RR, RL)

Connector No.	D305
Connector Name	REAR DOOR SPEAKER RH
Connector Type	NS02FW-CS
Connector Color	WHITE



Terminal No.	Color of Wire	Signal Name
1	LG	RR RH SP+ (WITHOUT BOSE AUDIO SYSTEM)
1	L	RR RH SP+ (WITH BOSE AUDIO SYSTEM)
2	P	RR RH SP-

Connector No.	D551
Connector Name	CONDENSER-2
Connector Type	P01FB-A
Connector Color	BLACK



Terminal No.	Color of Wire	Signal Name
1	R	STOP LAMP SWITCH OUTPUT

Connector No.	D553
Connector Name	CONDENSER-2
Connector Type	P01FB-A
Connector Color	BLACK



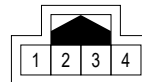
Terminal No.	Color of Wire	Signal Name
2	R	HMSL CONDENSER-

Connector No.	D554
Connector Name	REAR WIPER MOTOR
Connector Type	YEB03FW
Connector Color	WHITE



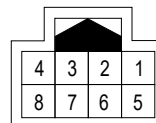
Terminal No.	Color of Wire	Signal Name
1	W	REAR WIPER MOTOR OUTPUT
2	LG	REAR WIPER AUTO STOP SW
3	B	GROUND

Connector No.	D556
Connector Name	REAR VIEW CAMERA
Connector Type	TH04MW-NH
Connector Color	WHITE



Terminal No.	Color of Wire	Signal Name
1	R	CAM 6.2V
2	W	CAM GROUND
3	B	CAM VIDEO
4	SHIELD	SHIELD

Connector No.	D557
Connector Name	REAR CAMERA
Connector Type	TH08MW-NH
Connector Color	WHITE



Terminal No.	Color of Wire	Signal Name
1	SHIELD	RV VIDEO GROUND
2	-	-

3	-	-
4	-	-
5	B	RV-VIDEO SIGNAL
6	-	-
7	W	RV-POWER GROUND
8	R	RV-POWER 6.2V

Connector No.	D560
Connector Name	WIRE TO WIRE
Connector Type	M04FW-LC
Connector Color	WHITE



Terminal No.	Color of Wire	Signal Name
1	-	TO BACK DOOR RH HARNESS
2	R	TO BACK DOOR RH HARNESS
3	B	TO BACK DOOR RH HARNESS
4	-	TO BACK DOOR RH HARNESS

Connector No.	D561
Connector Name	WIRE TO WIRE
Connector Type	NH10FW-CS10
Connector Color	WHITE



6	5	4		3	2	1		
20	19	13	12	11	10	9		
		18	17	16	15	14	8	7

Terminal No.	Color of Wire	Signal Name
1	R	TO BACK DOOR RH HARNESS
2	W	TO BACK DOOR RH HARNESS
3	BG	TO BACK DOOR RH HARNESS
4	GR	TO BACK DOOR RH HARNESS
5	-	TO BACK DOOR RH HARNESS
6	-	TO BACK DOOR RH HARNESS
7	-	TO BACK DOOR RH HARNESS
8	-	TO BACK DOOR RH HARNESS
9	R	TO BACK DOOR RH HARNESS
10	W	TO BACK DOOR RH HARNESS
11	V	TO BACK DOOR RH HARNESS
12	P	TO BACK DOOR RH HARNESS
13	-	TO BACK DOOR RH HARNESS
14	Y	TO BACK DOOR RH HARNESS
15	SHIELD	TO BACK DOOR RH HARNESS
16	LG	TO BACK DOOR RH HARNESS
17	BR	TO BACK DOOR RH HARNESS
18	-	TO BACK DOOR RH HARNESS
19	-	TO BACK DOOR RH HARNESS
20	-	TO BACK DOOR RH HARNESS

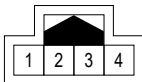
Connector No.	D562
Connector Name	BACK DOOR LOCK ASSEMBLY
Connector Type	TB04FW-LC
Connector Color	WHITE



Terminal No.	Color of Wire	Signal Name
1	GR	BACK DOOR OPEN OUTPUT
2	B	GROUND
3	B	GROUND

4	SB	DOOR SW (BACK)
---	----	----------------

Connector No.	D563
Connector Name	BACK DOOR OPENER ASSEMBLY
Connector Type	TH04MGY-RC
Connector Color	GRAY



Terminal No.	Color of Wire	Signal Name
1	L	TRUNK/BACK DOOR OPENER SW
2	B	GROUND
3	B	GROUND
4	P	REQUEST SW (TRUNK/BACK DOOR)

Connector No.	D564
Connector Name	CONDENSER-1
Connector Type	P01FB-A
Connector Color	BLACK



Terminal No.	Color of Wire	Signal Name
1	R	RR DEF

Connector No.	D565
Connector Name	REAR WINDOW DEFOGGER
Connector Type	P01FB-A
Connector Color	BLACK



Terminal No.	Color of Wire	Signal Name
--------------	---------------	-------------

2	B	GROUND
---	---	--------

Connector No.	D566
Connector Name	CONDENSER-1
Connector Type	P01FB-A
Connector Color	BLACK



Terminal No.	Color of Wire	Signal Name
2	B	RR DEFOG COND -

Connector No.	D567
Connector Name	REAR WINDOW DEFOGGER
Connector Type	P01FB-A
Connector Color	BLACK



Terminal No.	Color of Wire	Signal Name
1	B	RR DEFOG +

Connector No.	D568
Connector Name	WIRE TO WIRE
Connector Type	M04FW-LC
Connector Color	WHITE



Terminal No.	Color of Wire	Signal Name
1	-	TO BODY HARNESS
2	R	TO BODY HARNESS
3	B	TO BODY HARNESS
4	-	TO BODY HARNESS

Connector No.	D569
Connector Name	WIRE TO WIRE
Connector Type	NH10FW-CS10
Connector Color	WHITE



6	5	4		3	2	1		
20	19	13	12	11	10	9		
		18	17	16	15	14	8	7

Terminal No.	Color of Wire	Signal Name
1	R	TO BODY HARNESS
2	W	TO BODY HARNESS
3	BG	TO BODY HARNESS
4	GR	TO BODY HARNESS
5	-	TO BODY HARNESS
6	-	TO BODY HARNESS
7	-	TO BODY HARNESS
8	-	TO BODY HARNESS
9	R	TO BODY HARNESS
10	W	TO BODY HARNESS
11	V	TO BODY HARNESS
12	P	TO BODY HARNESS
13	-	TO BODY HARNESS
14	Y	TO BODY HARNESS
15	SHIELD	TO BODY HARNESS
16	LG	TO BODY HARNESS
17	BR	TO BODY HARNESS
18	-	TO BODY HARNESS
19	-	TO BODY HARNESS
20	-	TO BODY HARNESS

Connector No.	D570
Connector Name	LICENSE PLATE LAMP LH
Connector Type	TK02FBR
Connector Color	BROWN



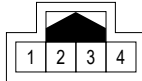
Terminal No.	Color of Wire	Signal Name
1	W	TAIL LAMP 2
2	B	GROUND

Connector No.	D571
Connector Name	LICENSE PLATE LAMP RH
Connector Type	TK02FBR
Connector Color	BROWN



Terminal No.	Color of Wire	Signal Name
1	L	TAIL LAMP 2
2	B	GROUND

Connector No.	D572
Connector Name	WIRE TO WIRE
Connector Type	TH04MW-NH
Connector Color	WHITE



Terminal No.	Color of Wire	Signal Name
1	B	TO STOP LAMP SUB-HARNESS
2	R	TO STOP LAMP SUB-HARNESS
3	-	TO STOP LAMP SUB-HARNESS
4	-	TO STOP LAMP SUB-HARNESS

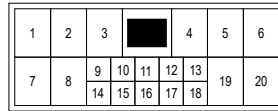
Connector No.	D573
Connector Name	WIRE TO WIRE
Connector Type	M04MW-LC
Connector Color	WHITE



Terminal No.	Color of Wire	Signal Name
1	-	TO BACK DOOR SUB-HARNESS
2	R	TO BACK DOOR SUB-HARNESS
3	B	TO BACK DOOR SUB-HARNESS

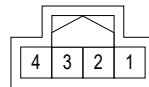
4	-	TO BACK DOOR SUB-HARNESS
---	---	--------------------------

Connector No.	D574
Connector Name	WIRE TO WIRE
Connector Type	NH10MW-CS10
Connector Color	WHITE



Terminal No.	Color of Wire	Signal Name
1	R	TO BACK DOOR SUB-HARNESS
2	W	TO BACK DOOR SUB-HARNESS
3	GR	TO BACK DOOR SUB-HARNESS
4	L	TO BACK DOOR SUB-HARNESS
5	-	TO BACK DOOR SUB-HARNESS
6	-	TO BACK DOOR SUB-HARNESS
7	-	TO BACK DOOR SUB-HARNESS
8	-	TO BACK DOOR SUB-HARNESS
9	R	TO BACK DOOR SUB-HARNESS
10	W	TO BACK DOOR SUB-HARNESS
11	SB	TO BACK DOOR SUB-HARNESS
12	P	TO BACK DOOR SUB-HARNESS
13	-	TO BACK DOOR SUB-HARNESS
14	Y	TO BACK DOOR SUB-HARNESS
15	SHIELD	TO BACK DOOR SUB-HARNESS
16	LG	TO BACK DOOR SUB-HARNESS
17	L	TO BACK DOOR SUB-HARNESS
18	-	TO BACK DOOR SUB-HARNESS
19	-	TO BACK DOOR SUB-HARNESS
20	-	TO BACK DOOR SUB-HARNESS

Connector No.	D575
Connector Name	WIRE TO WIRE
Connector Type	TH04FW-NH
Connector Color	WHITE



Terminal No.	Color of Wire	Signal Name
1	B	TO BACK DOOR RH HARNESS
2	R	TO BACK DOOR RH HARNESS

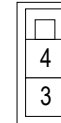
3	-	TO BACK DOOR RH HARNESS
4	-	TO BACK DOOR RH HARNESS

Connector No.	D576
Connector Name	HIGH-MOUNTED STOP LAMP
Connector Type	RH02FB
Connector Color	BLACK



Terminal No.	Color of Wire	Signal Name
1	B	GROUND
2	R	STOP LAMP SW

Connector No.	E1
Connector Name	FUSIBLE LINK BOX (BATTERY)
Connector Type	L02FGY-MC
Connector Color	GRAY



Terminal No.	Color of Wire	Signal Name
3	G	BATTERY
4	W	BATTERY

Connector No.	E2
Connector Name	FUSIBLE LINK BOX (BATTERY)
Connector Type	L02FBR-MC-B
Connector Color	BLACK



Terminal No.	Color of Wire	Signal Name
1	W	BATTERY

2	G	BATTERY
---	---	---------

Connector No.	E3
Connector Name	FUSIBLE LINK BOX (BATTERY)
Connector Type	L01FB-MC
Connector Color	BLACK



Terminal No.	Color of Wire	Signal Name
5	Y	BATTERY

Connector No.	E4
Connector Name	PARKING BRAKE SWITCH
Connector Type	P01FB-A
Connector Color	BLACK



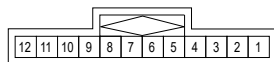
Terminal No.	Color of Wire	Signal Name
1	B	PKB SW

Connector No.	E5
Connector Name	VEHICLE SECURITY HORN RELAY
Connector Type	M03FW-R-LC
Connector Color	WHITE



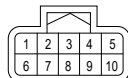
Terminal No.	Color of Wire	Signal Name
1	R	HORN RLY CONT
2	O	BATTERY
3	G	RELAY OUTPUT

Connector No.	E6*
Connector Name	JOINT CONNECTOR-E01
Connector Type	A12FL
Connector Color	BLUE



Terminal No.	Color of Wire	Signal Name
1	L	BUS BAR A
2	L	BUS BAR A
3	L	BUS BAR A
4	-	BUS BAR A
5	-	BUS BAR A
6	-	BUS BAR A
7	P	BUS BAR B
8	P	BUS BAR B
9	P	BUS BAR B
10	-	BUS BAR B
11	-	BUS BAR B
12	-	BUS BAR B

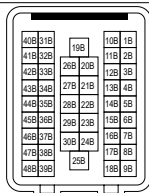
Connector No.	E7
Connector Name	QUICK CHARGE PORT
Connector Type	RH10FB
Connector Color	BLACK



Terminal No.	Color of Wire	Signal Name
1	Y	QUICK CHARGER START/STOP SIGNAL 1
2	G	QUICK CHARGER START/STOP SIGNAL 2
3	BR	QUICK CHARGER CONNECTION SIGNAL
4	L	QUICK CHARGER PERMIT SIGNAL
5	B	GROUND
6	W	CAN-H (QUICK CHARGER COMMUNICATION)
7	L	CAN-L (QUICK CHARGER COMMUNICATION)
8	LG	SENSOR GROUND

9	V	QUICK CHARGER PORT TEMPERATURE SENSOR SIGNAL 1
10	SB	QUICK CHARGER PORT TEMPERATURE SENSOR SIGNAL 2

Connector No.	E8
Connector Name	WIRE TO WIRE
Connector Type	SAA36MB-RS10-SJ22
Connector Color	BLACK



Terminal No.	Color of Wire	Signal Name
1B	G	TO ENGINE CONTROL HARNESS
2B	V	TO ENGINE CONTROL HARNESS
3B	P	TO ENGINE CONTROL HARNESS
4B	B	TO ENGINE CONTROL HARNESS
5B	O	TO ENGINE CONTROL HARNESS
6B	L	TO ENGINE CONTROL HARNESS
7B	-	TO ENGINE CONTROL HARNESS
8B	-	TO ENGINE CONTROL HARNESS
9B	GR	TO ENGINE CONTROL HARNESS
10B	L	TO ENGINE CONTROL HARNESS
11B	G	TO ENGINE CONTROL HARNESS
12B	L	TO ENGINE CONTROL HARNESS
13B	G	TO ENGINE CONTROL HARNESS
14B	-	TO ENGINE CONTROL HARNESS
15B	-	TO ENGINE CONTROL HARNESS
16B	-	TO ENGINE CONTROL HARNESS
17B	-	TO ENGINE CONTROL HARNESS
18B	R	TO ENGINE CONTROL HARNESS
19B	-	TO ENGINE CONTROL HARNESS
20B	-	TO ENGINE CONTROL HARNESS
21B	B/R	TO ENGINE CONTROL HARNESS
22B	W	TO ENGINE CONTROL HARNESS
23B	R	TO ENGINE CONTROL HARNESS
24B	B	TO ENGINE CONTROL HARNESS
25B	-	TO ENGINE CONTROL HARNESS
26B	-	TO ENGINE CONTROL HARNESS
27B	P	TO ENGINE CONTROL HARNESS
28B	B	TO ENGINE CONTROL HARNESS
29B	G	TO ENGINE CONTROL HARNESS
30B	SB	TO ENGINE CONTROL HARNESS
31B	R	TO ENGINE CONTROL HARNESS
32B	LG	TO ENGINE CONTROL HARNESS
33B	W	TO ENGINE CONTROL HARNESS
34B	V	TO ENGINE CONTROL HARNESS

35B	LG	TO ENGINE CONTROL HARNESS
36B	B	TO ENGINE CONTROL HARNESS
37B	O	TO ENGINE CONTROL HARNESS
38B	P	TO ENGINE CONTROL HARNESS
39B	-	TO ENGINE CONTROL HARNESS
40B	SB	TO ENGINE CONTROL HARNESS
41B	Y	TO ENGINE CONTROL HARNESS
42B	R	TO ENGINE CONTROL HARNESS
43B	-	TO ENGINE CONTROL HARNESS
44B	-	TO ENGINE CONTROL HARNESS
45B	-	TO ENGINE CONTROL HARNESS
46B	-	TO ENGINE CONTROL HARNESS
47B	W	TO ENGINE CONTROL HARNESS
48B	L	TO ENGINE CONTROL HARNESS

Connector No.	E9
Connector Name	IPDM E/R (INTELLIGENT POWER DISTRIBUTION MODULE ENGINE ROOM)
Connector Type	L02FB-MC
Connector Color	BLACK



Terminal No.	Color of Wire	Signal Name
1	W	F/L USM
2	G	F/L MAIN

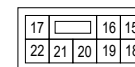
Connector No.	E11
Connector Name	IPDM E/R (INTELLIGENT POWER DISTRIBUTION MODULE ENGINE ROOM)
Connector Type	M06FB-LC
Connector Color	BLACK



Terminal No.	Color of Wire	Signal Name
9	B	POWER GROUND
10	-	-
11	-	-
12	-	-

13	-	-
14	R	RR DEF

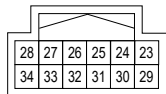
Connector No.	E12
Connector Name	IPDM E/R (INTELLIGENT POWER DISTRIBUTION MODULE ENGINE ROOM)
Connector Type	NS08FBR-CS
Connector Color	BROWN



Terminal No.	Color of Wire	Signal Name
15	-	-
16	-	-
17	-	-
18	GR	SIGNAL GROUND
19	W	FR FOG/L RH
20	V	FR FOG/L LH
21	-	-
22	-	-

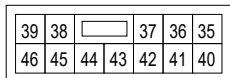
*: PIN-OUTS MAY BE IN NO SPECIFIC ORDER ON A COMMON BUS BAR IN JOINT CONNECTORS.

Connector No.	E13
Connector Name	IPDM E/R (INTELLIGENT POWER DISTRIBUTION MODULE ENGINE ROOM)
Connector Type	TH12FW-NH
Connector Color	WHITE



Terminal No.	Color of Wire	Signal Name
23	-	-
24	-	-
25	R	AUTO STOP SW
26	P	CAN-L
27	L	CAN-H
28	G	DTRL RLY
29	-	-
30	-	-
31	-	-
32	SB	HOOD SW
33	-	-
34	R	HORN RLY CONT

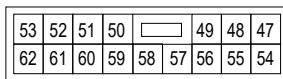
Connector No.	E14
Connector Name	IPDM E/R (INTELLIGENT POWER DISTRIBUTION MODULE ENGINE ROOM)
Connector Type	NS12FBR-CS
Connector Color	BROWN



Terminal No.	Color of Wire	Signal Name
35	R	VCM VB
36	-	-
37	BG	PARKING/L RH
38	LG	TAIL LAMP 1
39	L	FR WIPER HI
40	-	-
41	SB	VCM RLY CONT
42	-	-
43	BG	PARKING/L LH

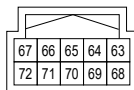
44	B	TAIL LAMP 2
45	Y	FR WIPER LO
46	-	-

Connector No.	E15
Connector Name	IPDM E/R (INTELLIGENT POWER DISTRIBUTION MODULE ENGINE ROOM)
Connector Type	NS16FW-CS
Connector Color	WHITE



Terminal No.	Color of Wire	Signal Name
47	-	-
48	-	-
49	Y	H/LAMP HI RH
50	G	H/LAMP HI LH
51	L	H/LAMP LO LH
52	P	H/LAMP LO RH
53	-	-
54	-	-
55	LG	FAST CHARGE
56	-	-
57	R	VCM IGNITION
58	R	REVERSE LAMP IGNITION
59	-	-
60	GR	F/S RLY CONT
61	-	-
62	V	E-ACT/HAS IGNITION

Connector No.	E17
Connector Name	IPDM E/R (INTELLIGENT POWER DISTRIBUTION MODULE ENGINE ROOM)
Connector Type	TH10FB-NH
Connector Color	BLACK



Terminal No.	Color of Wire	Signal Name
63	-	-

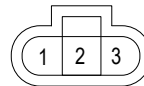
64	W	DETENT SW
65	-	-
66	W	PUSH START SW
67	-	-
68	BG	IGNITION SIGNAL
69	-	-
70	-	-
71	-	-
72	-	-

Connector No.	E18
Connector Name	COOLING FAN RELAY
Connector Type	24347-9F900
Connector Color	BLACK



Terminal No.	Color of Wire	Signal Name
1	G	M/C RELAY OUTPUT
2	B/Y	GROUND
3	BR	BATTERY
5	R	PWM POWER

Connector No.	E19
Connector Name	COOLING FAN CONTROL MODULE
Connector Type	SJZ01FGY-SNZ2
Connector Color	GRAY



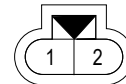
Terminal No.	Color of Wire	Signal Name
1	B	GROUND
2	G	PWM SIG
3	R	PWM POWER

Connector No.	E22
Connector Name	FRONT WHEEL SENSOR LH
Connector Type	RH02FB
Connector Color	BLACK



Terminal No.	Color of Wire	Signal Name
1	Y	FR-LH SENSOR
2	R	FR-LH SENSOR VB

Connector No.	E24
Connector Name	CHARGE PORT LIGHT
Connector Type	RS02MGY
Connector Color	GRAY



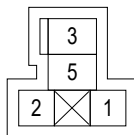
Terminal No.	Color of Wire	Signal Name
1	GR	CHARGE PORT LIGHT
2	BR	BATTERY

Connector No.	E25
Connector Name	NORMAL CHARGE PORT
Connector Type	RH02FB
Connector Color	BLACK



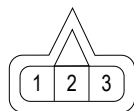
Terminal No.	Color of Wire	Signal Name
1	LG	EVSE COMMUNICATION (PWM)
2	W	EVSE CONNECTION SIGNAL

Connector No.	E27
Connector Name	REVERSE LAMP RELAY
Connector Type	MS02FL-M2-LC
Connector Color	BLUE



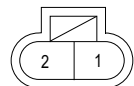
Terminal No.	Color of Wire	Signal Name
1	V	REVERSE LAMP IGNITION
2	SB	REVERSE LAMP RELAY
3	R	REVERSE LAMP IGNITION
5	G	REVERSE LAMP RELAY OUTPUT

Connector No.	E28
Connector Name	INTELLIGENT KEY WARNING BUZZER
Connector Type	RK03FBR
Connector Color	BROWN



Terminal No.	Color of Wire	Signal Name
1	P	BATTERY
2	-	-
3	GR	SMART KEYLESS BUZZER OUTPUT

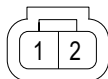
Connector No.	E29
Connector Name	WASHER FLUID LEVEL SWITCH
Connector Type	Z02FBR
Connector Color	BROWN



Terminal No.	Color of Wire	Signal Name
--------------	---------------	-------------

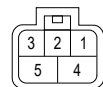
1	O	WASHER SW
2	B/Y	GROUND

Connector No.	E30
Connector Name	FRONT FOG LAMP LH
Connector Type	FHZ02FB
Connector Color	BLACK



Terminal No.	Color of Wire	Signal Name
1	V	FR FOG/L LH
2	B	GROUND

Connector No.	E32
Connector Name	FRONT WIPER MOTOR
Connector Type	HS05FGY
Connector Color	GRAY



Terminal No.	Color of Wire	Signal Name
1	Y	FR WIPER LO
2	GR	GROUND
3	-	-
4	L	FR WIPER HI
5	R	AUTO STOP SW

Connector No.	E33
Connector Name	CRASH ZONE SENSOR
Connector Type	RH02FB-EX
Connector Color	BLACK



Terminal No.	Color of Wire	Signal Name
1	B	ECZS+
2	W	ECZS-

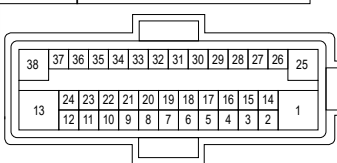
Connector No.	E34
Connector Name	ELECTRICALLY-DRIVEN INTELLIGENT BRAKE UNIT
Connector Type	SAZ42FB-SJZ4
Connector Color	BLACK



Terminal No.	Color of Wire	Signal Name
1	Y	MOTOR POWER
2	Y	MOTOR POWER
3	-	-
4	-	-
5	-	-
6	-	-
7	-	-
8	-	-
9	-	-
10	-	-
11	-	-
12	-	-
13	-	-
14	-	-
15	-	-
16	-	-
17	-	-
18	W/L	STROKE SENSOR POWER
19	L/O	STROKE SENSOR GROUND
20	R	BUZZER POWER
21	-	-

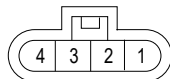
22	BG	DLC WAKE-UP
23	-	-
24	SB	STOP LAMP SW
25	-	-
26	V	POWER SWITCH ON
27	-	-
28	L	ECU CONTROL SYSTEM POWER
29	-	-
30	-	-
31	W	DLC BACKUP POWER
32	B	GROUND
33	LY	STROKE SENSOR1 SIGNAL
34	-	-
35	B	STROKE SENSOR2 SIGNAL
36	W	BUZZER SIGNAL
37	B	DLC COMMUNICATION
38	-	-
39	G	CAN-L
40	GR	CAN-H
41	-	-
42	-	-
43	R	BRAKE COMMUNICATION-L
44	L	BRAKE COMMUNICATION-H
45	-	-
46	-	-

Connector No.	E35
Connector Name	ABS ACTUATOR AND ELECTRIC UNIT (CONTROL UNIT)
Connector Type	AEU34FB-AHW2-AJY2-DH
Connector Color	BLACK



38	GR	SOL GROUND
----	----	------------

Connector No.	E36
Connector Name	STROKE SENSOR
Connector Type	HS04FB
Connector Color	BLACK



2	-	TO ENGINE ROOM SUB-HARNESS
3	P	TO ENGINE ROOM SUB-HARNESS
4	-	TO ENGINE ROOM SUB-HARNESS

Connector No.	E39
Connector Name	FRONT WHEEL SENSOR RH
Connector Type	RH02FB
Connector Color	BLACK



2	O	WASHER MTR-
---	---	-------------

Connector No.	E42
Connector Name	APPROACHING VEHICLE SOUND FOR PEDESTRIANS (VSP) SPEAKER LH
Connector Type	RH02FB
Connector Color	BLACK



Terminal No.	Color of Wire	Signal Name
1	R	MOTOR BATTERY
2	-	-
3	-	-
4	-	-
5	-	-
6	-	-
7	-	-
8	-	-
9	-	-
10	-	-
11	-	-
12	-	-
13	GR	MOT GROUND
14	-	-
15	L	BRAKE COMMUNICATION-H
16	R	BRAKE COMMUNICATION-L
17	-	-
18	W	BLS (BNC)
19	-	-
20	-	-
21	-	-
22	P	BLS (BNO)
23	G	CAN-L
24	GR	CAN-H
25	G	SOL BATTERY
26	W	FR-RH SENSOR
27	B	FR-RH SENSOR VB
28	G	RR-LH SENSOR
29	B	RR-LH SENSOR VB
30	-	-
31	-	-
32	V	POWER SWITCH ON
33	-	-
34	BR	RR-RH SENSOR VB
35	LG	RR-RH SENSOR
36	R	FR-LH SENSOR VB
37	Y	FR-LH SENSOR

Terminal No.	Color of Wire	Signal Name
1	L/O	STROKE SENSOR GROUND
2	L/Y	STROKE SENSOR1 SIGNAL
3	W/L	STROKE SENSOR POWER
4	B	STROKE SENSOR2 SIGNAL

Connector No.	E37
Connector Name	BRAKE FLUID LEVEL SWITCH
Connector Type	YV02FGY
Connector Color	GRAY



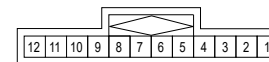
Terminal No.	Color of Wire	Signal Name
1	W	FR-RH SENSOR
2	B	FR-RH SENSOR VB

Connector No.	E40
Connector Name	FUSIBLE LINK BOX (BATTERY)
Connector Type	-
Connector Color	-



Terminal No.	Color of Wire	Signal Name
1	Y	VSP SPEAKER SIGNAL (+)
2	L	VSP SPEAKER SIGNAL (-)

Connector No.	E44*
Connector Name	JOINT CONNECTOR-E02
Connector Type	A12FL
Connector Color	BLUE



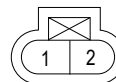
Terminal No.	Color of Wire	Signal Name
1	BR	BRAKE OIL
2	GR	GROUND

Connector No.	E38
Connector Name	WIRE TO WIRE
Connector Type	RS04FB-PR
Connector Color	BLACK



Terminal No.	Color of Wire	Signal Name
7	-	BATTERY

Connector No.	E41
Connector Name	FRONT AND REAR WASHER MOTOR
Connector Type	E02FGY-RS
Connector Color	GRAY



Terminal No.	Color of Wire	Signal Name
1	GR	BUS BAR A
2	GR	BUS BAR A
3	GR	BUS BAR A
4	GR	BUS BAR A
5	-	BUS BAR A
6	-	BUS BAR A
7	-	BUS BAR B
8	G	BUS BAR B
9	G	BUS BAR B
10	G	BUS BAR B
11	G	BUS BAR B
12	-	BUS BAR B

Terminal No.	Color of Wire	Signal Name
1	GR	TO ENGINE ROOM SUB-HARNESS

Terminal No.	Color of Wire	Signal Name
1	SB	WASHER MTR+

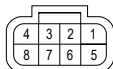
*: PIN-OUTS MAY BE IN NO SPECIFIC ORDER ON A COMMON BUS BAR IN JOINT CONNECTORS.

Connector No.	E46
Connector Name	HORN (LOW)
Connector Type	P01FB-A
Connector Color	BLACK



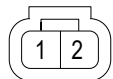
Terminal No.	Color of Wire	Signal Name
2	B/Y	GROUND

Connector No.	E47
Connector Name	DISTANCE SENSOR
Connector Type	SAZ08FGY
Connector Color	GRAY



Terminal No.	Color of Wire	Signal Name
1	B	GROUND
2	P	ITS CAN COMMUNICATION-L
3	BR	ITS CAN COMMUNICATION-H
4	-	-
5	-	-
6	-	-
7	-	-
8	V	IGNITION POWER SUPPLY

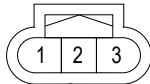
Connector No.	E48
Connector Name	FRONT FOG LAMP RH
Connector Type	FHZ02FB
Connector Color	BLACK



Terminal No.	Color of Wire	Signal Name
--------------	---------------	-------------

1	W	FR FOG/L RH
2	B	GROUND

Connector No.	E49
Connector Name	REFRIGERANT PRESSURE SENSOR (WITH HEAT PUMP)
Connector Type	RK03FB
Connector Color	BLACK



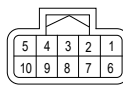
Terminal No.	Color of Wire	Signal Name
1	BR	SENSOR GROUND (REFRIGERANT PRESSURE SENSOR)
2	B	REFRIGERANT PRESSURE SENSOR
3	SB	SENSOR POWER SUPPLY (REFRIGERANT PRESSURE SENSOR)

Connector No.	E50
Connector Name	HORN (LOW)
Connector Type	P01FB-BR-A
Connector Color	BLACK



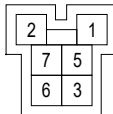
Terminal No.	Color of Wire	Signal Name
1	G	HORN RELAY OUTPUT

Connector No.	E51*
Connector Name	JOINT CONNECTOR-E03
Connector Type	RH10FB
Connector Color	BLACK



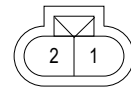
Terminal No.	Color of Wire	Signal Name
1	B/R	BUS BAR A
2	SHIELD	BUS BAR A
3	SB	BUS BAR B
4	SB	BUS BAR B
5	SB	BUS BAR B
6	SHIELD	BUS BAR A
7	SHIELD	BUS BAR A
8	SB	BUS BAR B
9	SB	BUS BAR B
10	SB	BUS BAR B

Connector No.	E52
Connector Name	A/C RELAY
Connector Type	M06FBR-R-LC
Connector Color	BROWN



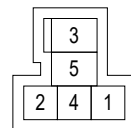
Terminal No.	Color of Wire	Signal Name
1	L	A/C RELAY CONTROL
2	BR	A/C RELAY CONTROL
3	R	BATTERY
5	W	A/C RELAY OUTPUT
6	G	BATTERY
7	BG	A/C RELAY OUTPUT

Connector No.	E53
Connector Name	AMBIENT SENSOR
Connector Type	RS02FB
Connector Color	BLACK



Terminal No.	Color of Wire	Signal Name
1	W	AMB SENS
2	R	SENS GROUND

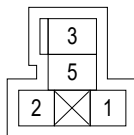
Connector No.	E54
Connector Name	PARKING ACTUATOR RELAY A
Connector Type	MS03FB-M2-LC
Connector Color	BLUE



Terminal No.	Color of Wire	Signal Name
1	L	BATTERY
2	SB	PARKING ACTUATOR RELAY A
3	G	PARKING ACTUATOR RELAY A OUTPUT
4	-	-
5	L	BATTERY

*: PIN-OUTS MAY BE IN NO SPECIFIC ORDER ON A COMMON BUS BAR IN JOINT CONNECTORS.

Connector No.	E55
Connector Name	ICC BRAKE HOLD RELAY
Connector Type	MS02FL-M2-LC
Connector Color	BLUE



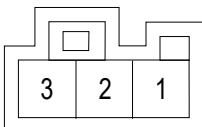
Terminal No.	Color of Wire	Signal Name
1	V	BRK RLY
2	G	IGNITION
3	SB	RELAY OUTPUT
5	W	BATTERY

Connector No.	E56
Connector Name	APPROACHING VEHICLE SOUND FOR PEDESTRIANS (VSP) SPEAKER RH
Connector Type	RH02FB
Connector Color	BLACK



Terminal No.	Color of Wire	Signal Name
1	W	VSP SPEAKER SIGNAL (+)
2	R	VSP SPEAKER SIGNAL (-)

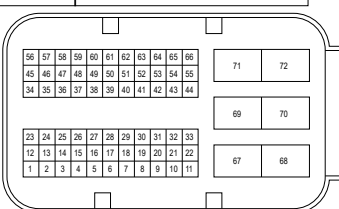
Connector No.	E58
Connector Name	CAN TERMINATOR 1 (ITS CAN COMMUNICATION)
Connector Type	24336 5SA0A
Connector Color	BLACK



Terminal No.	Color of Wire	Signal Name
--------------	---------------	-------------

1	GR	GROUND
2	P	ITS CAN-L
3	BR	ITS CAN-H

Connector No.	E61
Connector Name	VCM
Connector Type	MUA66FB-MHA6-RH
Connector Color	BLACK



Terminal No.	Color of Wire	Signal Name
1	-	-
2	-	-
3	-	-
4	-	-
5	L	CAN-H
6	P	CAN-L
7	-	-
8	L	EV SYSTEM CAN-H
9	G	EV SYSTEM CAN-L
10	-	-
11	G	POWER ON POWER SUPPLY
12	-	-
13	-	-
14	-	-
15	Y	IMMEDIATE CHARGING SWITCH
16	-	-
17	W	ELECTRIC SHIFT SENSOR POWER SUPPLY 2
18	W	SENSOR POWER SUPPLY
19	-	-
20	-	-
21	LG	P/N POSITION SIGNAL
22	-	-
23	G	CHARGING STATUS INDICATOR 3
24	-	-
25	-	-
26	-	-
27	BR	CHARGE PORT LID OPENER SWITCH
28	R	ECO MODE SWITCH
29	R	ACCELERATOR PEDAL POSITION SENSOR 2
30	-	-
31	W	READY SIGNAL
32	W	P POSITION SIGNAL
33	W	E-PEDAL SWITCH

34	BR	CHARGING STATUS INDICATOR 2
35	L	PLUG IN INDICATOR LAMP
36	-	-
37	-	-
38	W	BRAKE PEDAL POSITION SWITCH
39	-	-
40	B	SENSOR GROUND
41	SB	PARKING ACTUATOR RELAY A
42	-	-
43	-	-
44	-	-
45	V	CHARGING STATUS INDICATOR 1
46	-	-
47	B	P POSITION SW NO. 2
48	SB	ASCD/ICC/PRO PILOT® STEERING SWITCH
49	G	ELECTRIC SHIFT SENSOR NO.6
50	-	-
51	W	ELECTRIC SHIFT SENSOR NO.2
52	G	ELECTRIC SHIFT SENSOR NO.4
53	R	P POSITION SW NO. 1
54	-	-
55	-	-
56	P	STOP LAMP SWITCH
57	-	-
58	W/L	ELECTRIC SHIFT SENSOR GROUND 2
59	P	ASCD/ICC/PRO PILOT® STEERING SWITCH GROUND
60	B	VCM GROUND
61	-	-
62	-	-
63	-	-
64	-	-
65	-	-
66	BR	12V BATTERY POWER SUPPLY
67	SB	MOTOR COIL A V-PHASE
68	B	MOTOR COIL A U-PHASE
69	B/R	VCM GROUND
70	-	-
71	B/R	VCM GROUND
72	R	MOTOR COIL A W-PHASE

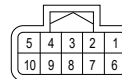
Connector No.	E62
Connector Name	VCM
Connector Type	MUA78FB-MCA36-RH
Connector Color	BLACK



106	-	-
107	-	-
108	R	ACCELERATOR PEDAL POSITION SENSOR 1
109	-	-
110	-	-
111	W	WATER PUMP SIGNAL
112	-	-
113	V	ENCODER SIGNAL A
114	P	ENCODER SIGNAL B
115	-	-
116	O	CONNECTION DETECTING CIRCUIT SIGNAL
117	-	-
118	P	CONNECTION DETECTING CIRCUIT POWER SUPPLY
119	Y	R POSITION OUTPUT (SELECT INDICATOR)
120	-	-
121	B	SENSOR GROUND
122	SB	QUICK CHARGER PORT TEMPERATURE SENSOR SIGNAL 2
123	V	QUICK CHARGER PORT TEMPERATURE SENSOR SIGNAL 1
124	-	-
125	-	-
126	-	-
127	-	-
128	-	-
129	-	-
130	-	-
131	-	-
132	-	-
133	-	-
134	-	-
135	-	-
136	-	-
137	-	-
138	G	ENCODER GROUND
139	O	ELECTRIC SHIFT SENSOR GROUND 1
140	-	-
141	-	-
142	-	-
143	-	-
144	B	VCM GROUND
145	-	-
146	B	QUICK CHARGE VOLTAGE SENSOR GROUND
147	LG	SENSOR GROUND
148	BR	SENSOR GROUND
149	L	SENSOR GROUND
150	-	-
151	GR	F/S CHG RELAY
152	SB	CHARGE CONNECTOR LOCK RELAY
153	-	-
154	W	CHARGE CONNECTOR LOCK ACTUATOR (-)

155	LG	CHARGE CONNECTOR LOCK ACTUATOR (+)
156	R	CHARGE CONNECTOR LOCK RELAY POWER SUPPLY
157	V	COOLING FAN CONTROL SIGNAL
158	-	-
159	LG	F/S RELAY POWER SUPPLY
160	W	F/S CHG RELAY
161	Y	SYSTEM MAIN RELAY 2
162	-	-
163	-	-
164	-	-
165	SB	REVERSE LAMP RELAY
166	SB	M/C RELAY
167	-	-
168	GR	F/S RELAY
169	SB	QUICK CHARGE RELAY (-)
170	-	-
171	L	QUICK CHARGER PERMIT SIGNAL
172	-	-
173	-	-
174	B	PRE-CHARGE RELAY
175	-	-
176	GR	CHARGE PORT LIGHT
177	-	-
178	-	-
179	V	QUICK CHARGE RELAY (+)
180	G	WATER PUMP SIGNAL
181	-	-
182	W	SYSTEM MAIN RELAY 1
183	-	-
184	-	-
185	BR	A/C RLY
186	R	12V BATTERY POWER SUPPLY

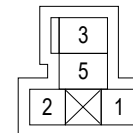
Connector No.	E63*
Connector Name	JOINT CONNECTOR-E04
Connector Type	RH10FB
Connector Color	BLACK



Terminal No.	Color of Wire	Signal Name
1	SHIELD	BUS BAR A
2	B/R	BUS BAR A
3	BR	BUS BAR B
4	BR	BUS BAR B
5	BR	BUS BAR B
6	SHIELD	BUS BAR A

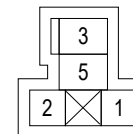
7	SHIELD	BUS BAR A
8	P	BUS BAR C
9	P	BUS BAR C
10	P	BUS BAR C

Connector No.	E64
Connector Name	F/S CHG RELAY
Connector Type	MS02FL-M2-LC
Connector Color	BLUE



Terminal No.	Color of Wire	Signal Name
1	W	F/S CHG RELAY
2	LG	F/S RELAY POWER SUPPLY
3	W	BATTERY
5	GR	QCRLY

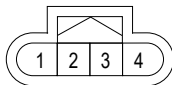
Connector No.	E65
Connector Name	M/C RELAY
Connector Type	MS02FL-M2-LC
Connector Color	BLUE



Terminal No.	Color of Wire	Signal Name
1	SB	M/C RELAY CONTROL
2	R	BATTERY
3	R	BATTERY
5	W	M/C RELAY OUTPUT

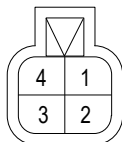
*: PIN-OUTS MAY BE IN NO SPECIFIC ORDER ON A COMMON BUS BAR IN JOINT CONNECTORS.

Connector No.	E66
Connector Name	BATTERY CURRENT SENSOR
Connector Type	RH04FB
Connector Color	BLACK



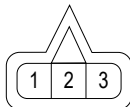
Terminal No.	Color of Wire	Signal Name
1	Y	BATTERY CURRENT SENSOR
2	L	SENSOR GROUND (BATTERY CURRENT SENSOR)
3	L	BATTERY TEMPERATURE SENSOR
4	R	SENSOR POWER SUPPLY (BATTERY CURRENT SENSOR)

Connector No.	E67
Connector Name	WIRE TO WIRE
Connector Type	RS04FG
Connector Color	GREEN



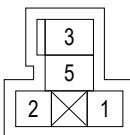
Terminal No.	Color of Wire	Signal Name
1	L	TO ENGINE ROOM SUB-HARNESS
2	B	TO ENGINE ROOM SUB-HARNESS
3	G	TO ENGINE ROOM SUB-HARNESS
4	W	TO ENGINE ROOM SUB-HARNESS

Connector No.	E68
Connector Name	REFRIGERANT PRESSURE SENSOR (WITHOUT HEAT PUMP)
Connector Type	RK03FB
Connector Color	BLACK



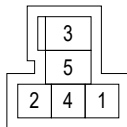
Terminal No.	Color of Wire	Signal Name
1	BR	SENSOR GROUND (REFRIGERANT PRESSURE SENSOR)
2	B	REFRIGERANT PRESSURE SENSOR
3	SB	SENSOR POWER SUPPLY (REFRIGERANT PRESSURE SENSOR)

Connector No.	E71
Connector Name	STOP LAMP ON RELAY
Connector Type	MS02FL-M2-LC
Connector Color	BLUE



Terminal No.	Color of Wire	Signal Name
1	Y	STOP LAMP ON RELAY
2	G	POWER SWITCH ON
3	SB	RELAY OUTPUT
5	W	BATTERY

Connector No.	E73
Connector Name	STOP LAMP OFF RELAY-1
Connector Type	MS03FB-M2-LC
Connector Color	BLACK



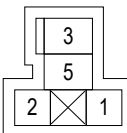
Terminal No.	Color of Wire	Signal Name
1	BG	RELAY2 (N/C)
2	G	IGNITION
3	W	BATTERY
4	R	RELAY OUTPUT
5	-	-

Connector No.	E74
Connector Name	HOOD SWITCH
Connector Type	RK02MGY
Connector Color	GRAY



Terminal No.	Color of Wire	Signal Name
1	SB	HOOD SW
2	B	GROUND

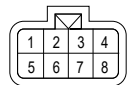
Connector No.	E78
Connector Name	STOP LAMP OFF RELAY-2
Connector Type	MS02FL-M2-LC
Connector Color	BLUE



Terminal No.	Color of Wire	Signal Name
1	V	RELAY1 (N/O)
2	R	IGNITION

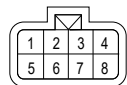
3	W	RELAY OUTPUT
5	G	IGNITION

Connector No.	E80
Connector Name	FRONT COMBINATION LAMP RH
Connector Type	RS08FB-PR
Connector Color	BLACK



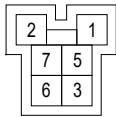
Terminal No.	Color of Wire	Signal Name
1	SB	DAYTIME RUNNING LIGHT RELAY OUTPUT
2	V	LED H LAMP R
3	GR	GROUND (WITH HALOGEN HEADLAMPS)
3	B	GROUND (WITH LED HEADLAMPS)
4	B/Y	GROUND
5	P	H/LAMP LO RH
6	G	FLASHER OUTPUT (RIGHT)
7	Y	H/LAMP HI RH
8	BG	PARKING/L RH

Connector No.	E81
Connector Name	FRONT COMBINATION LAMP LH
Connector Type	RS08FB-PR
Connector Color	BLACK



Terminal No.	Color of Wire	Signal Name
1	V	DAYTIME RUNNING LIGHT RELAY OUTPUT
2	LG	LED H LAMP L
3	GR	GROUND
4	B/W	GROUND
5	L	H/LAMP LO LH
6	LG	FLASHER OUTPUT (LEFT)
7	G	H/LAMP HI LH
8	BG	PARKING/L LH

Connector No.	E84
Connector Name	DAYTIME RUNNING LIGHT RELAY
Connector Type	M06FBR-R-LC
Connector Color	BROWN



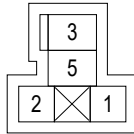
Terminal No.	Color of Wire	Signal Name
1	G	DAYTIME RUNNING LIGHT RELAY CONTROL
2	LG	BATTERY
3	V	RELAY OUTPUT
5	R	BATTERY
6	SB	RELAY OUTPUT
7	P	BATTERY

Connector No.	E87
Connector Name	CHARGE CONNECTOR LOCK ACTUATOR
Connector Type	RS04FGY-PR
Connector Color	GRAY



Terminal No.	Color of Wire	Signal Name
1	LG	CHARGE CONNECTOR LOCK ACTUATOR (+)
2	-	-
3	W	CHARGE CONNECTOR LOCK ACTUATOR (-)
4	-	-

Connector No.	E88
Connector Name	CHARGE PORT LID OPENER ACTUATOR RELAY
Connector Type	MS02FL-M2-LC
Connector Color	BLUE



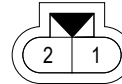
Terminal No.	Color of Wire	Signal Name
1	R	CHARGE PORT LID OPENER ACTUATOR RELAY
2	B	GROUND
3	P	CHARGE PORT LID OPENER ACTUATOR RELAY OUTPUT
5	BR	VCM BATTERY

Connector No.	E89
Connector Name	COMPRESSOR SUCTION REFRIGERANT TEMPERATURE SENSOR
Connector Type	RH02FBR
Connector Color	BROWN



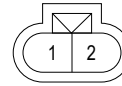
Terminal No.	Color of Wire	Signal Name
1	Y	TS SENS
2	B	SENS GROUND

Connector No.	E90
Connector Name	REFRIGERANT CHANNEL SWITCHING 2 WAY TYPE VALVE
Connector Type	RS02MGY
Connector Color	GRAY



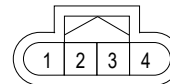
Terminal No.	Color of Wire	Signal Name
1	W	A/C RELAY OUTPUT
2	SB	2WAY VALVE

Connector No.	E91
Connector Name	REFRIGERANT CHANNEL SWITCHING 3 WAY TYPE VALVE
Connector Type	RS02FB
Connector Color	BLACK



Terminal No.	Color of Wire	Signal Name
1	W	A/C RELAY OUTPUT
2	BR	3WAY VALVE

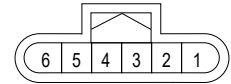
Connector No.	E100
Connector Name	FRONT CAMERA
Connector Type	RH04FB
Connector Color	BLACK



Terminal No.	Color of Wire	Signal Name
1	R	FV POWER

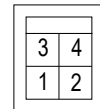
2	W	FV GROUND
3	B	FV VIDEO+
4	SHIELD	FV VIDEO GROUND

Connector No.	E101
Connector Name	ACCELERATOR PEDAL POSITION SENSOR
Connector Type	RH06FB
Connector Color	BLACK



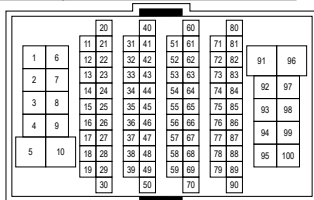
Terminal No.	Color of Wire	Signal Name
1	R	ACCELERATOR PEDAL POSITION SENSOR 2
2	W	SENSOR POWER SUPPLY (ACCELERATOR PEDAL POSITION SENSOR 2)
3	W	SENSOR POWER SUPPLY (ACCELERATOR PEDAL POSITION SENSOR 1)
4	R	ACCELERATOR PEDAL POSITION SENSOR 1
5	B	SENSOR GROUND (ACCELERATOR PEDAL POSITION SENSOR 1)
6	B	SENSOR GROUND (ACCELERATOR PEDAL POSITION SENSOR 2)

Connector No.	E102
Connector Name	STOP LAMP SWITCH
Connector Type	M04FW-LC
Connector Color	WHITE



Terminal No.	Color of Wire	Signal Name
1	R	BATTERY
2	SB	SWITCH OUTPUT
3	W	BATTERY
4	P	STOP LAMP SWITCH

Connector No.	E105
Connector Name	WIRE TO WIRE
Connector Type	TH80MW-CS16-TM4
Connector Color	WHITE



39	P	TO MAIN HARNESS
40	V	TO MAIN HARNESS
41	G	TO MAIN HARNESS
42	L	TO MAIN HARNESS
43	GR	TO MAIN HARNESS
44	W	TO MAIN HARNESS
45	L	TO MAIN HARNESS
46	W	TO MAIN HARNESS
47	V	TO MAIN HARNESS
48	BR	TO MAIN HARNESS
49	G	TO MAIN HARNESS
50	LG	TO MAIN HARNESS
51	W	TO MAIN HARNESS
52	W	TO MAIN HARNESS
53	R	TO MAIN HARNESS
54	B	TO MAIN HARNESS
55	P	TO MAIN HARNESS
56	Y	TO MAIN HARNESS
57	W	TO MAIN HARNESS
58	BG	TO MAIN HARNESS
59	R	TO MAIN HARNESS
60	SB	TO MAIN HARNESS
61	LG	TO MAIN HARNESS
62	B	TO MAIN HARNESS
63	W	TO MAIN HARNESS
64	SHIELD	TO MAIN HARNESS
65	BR	TO MAIN HARNESS
66	L	TO MAIN HARNESS
67	R	TO MAIN HARNESS
68	GR	TO MAIN HARNESS
69	W	TO MAIN HARNESS
70	P	TO MAIN HARNESS
71	G	TO MAIN HARNESS
72	LG	TO MAIN HARNESS
73	Y	TO MAIN HARNESS
74	B	TO MAIN HARNESS
75	R	TO MAIN HARNESS
76	L	TO MAIN HARNESS
77	-	TO MAIN HARNESS
78	-	TO MAIN HARNESS
79	R	TO MAIN HARNESS
80	L	TO MAIN HARNESS
81	BR	TO MAIN HARNESS
82	SB	TO MAIN HARNESS
83	G	TO MAIN HARNESS
84	-	TO MAIN HARNESS
85	W	TO MAIN HARNESS
86	BR	TO MAIN HARNESS
87	-	TO MAIN HARNESS
88	B	TO MAIN HARNESS
89	W	TO MAIN HARNESS
90	SHIELD	TO MAIN HARNESS
91	Y	TO MAIN HARNESS
92	O	TO MAIN HARNESS
93	BG	TO MAIN HARNESS

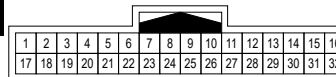
94	O	TO MAIN HARNESS
95	V	TO MAIN HARNESS
96	P	TO MAIN HARNESS
97	BR	TO MAIN HARNESS
98	-	TO MAIN HARNESS
99	LG	TO MAIN HARNESS
100	SB	TO MAIN HARNESS

Connector No.	E106
Connector Name	WIRE TO WIRE
Connector Type	L02FB-MC
Connector Color	BLACK



Terminal No.	Color of Wire	Signal Name
1	R	TO MAIN HARNESS
2	G	TO MAIN HARNESS

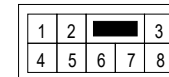
Connector No.	E107
Connector Name	WIRE TO WIRE
Connector Type	TH32MW-NH
Connector Color	WHITE



Terminal No.	Color of Wire	Signal Name
1	-	TO BODY HARNESS
2	-	TO BODY HARNESS
3	-	TO BODY HARNESS
4	-	TO BODY HARNESS
5	-	TO BODY HARNESS
6	-	TO BODY HARNESS
7	-	TO BODY HARNESS
8	P	TO BODY HARNESS
9	W	TO BODY HARNESS
10	B	TO BODY HARNESS
11	GR	TO BODY HARNESS
12	BG	TO BODY HARNESS
13	V	TO BODY HARNESS
14	Y	TO BODY HARNESS

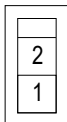
15	LG	TO BODY HARNESS
16	G	TO BODY HARNESS
17	-	TO BODY HARNESS
18	-	TO BODY HARNESS
19	-	TO BODY HARNESS
20	-	TO BODY HARNESS
21	-	TO BODY HARNESS
22	-	TO BODY HARNESS
23	-	TO BODY HARNESS
24	-	TO BODY HARNESS
25	R	TO BODY HARNESS
26	Y	TO BODY HARNESS
27	G	TO BODY HARNESS
28	SHIELD	TO BODY HARNESS
29	BG	TO BODY HARNESS
30	B	TO BODY HARNESS
31	BR	TO BODY HARNESS
32	B	TO BODY HARNESS

Connector No.	E108
Connector Name	WIRE TO WIRE
Connector Type	NS08MW-CS
Connector Color	WHITE



Terminal No.	Color of Wire	Signal Name
1	W	TO BODY HARNESS
2	Y	TO BODY HARNESS
3	-	TO BODY HARNESS
4	V	TO BODY HARNESS
5	SB	TO BODY HARNESS
6	W	TO BODY HARNESS
7	SB	TO BODY HARNESS
8	R	TO BODY HARNESS

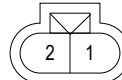
Connector No.	E112
Connector Name	BRAKE PEDAL POSITION SWITCH
Connector Type	M02FBR-LC
Connector Color	BROWN



Connector No.	E201
Connector Name	PDM (POWER DELIVERY MODULE)
Connector Type	24340-EN013
Connector Color	-

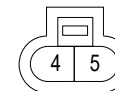


Connector No.	E254
Connector Name	CHARGE PORT LID OPENER ACTUATOR
Connector Type	RS02FBR
Connector Color	BROWN



2	B	GROUND
3	G	WATER PUMP SIGNAL
4	W	WATER PUMP SIGNAL

Connector No.	E301
Connector Name	COOLING FAN CONTROL MODULE (COOLING FAN-1)
Connector Type	HK02FB
Connector Color	BLACK

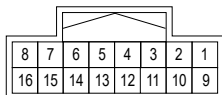


Terminal No.	Color of Wire	Signal Name
1	LG	POWER SWITCH ON
2	W	BLS (BNC)

Terminal No.	Color of Wire	Signal Name
37	B/R	BFT (+)

Terminal No.	Color of Wire	Signal Name
1	B	GROUND
2	L	CHARGE PORT LID OPENER ACTUATOR RELAY OUTPUT-

Connector No.	E115
Connector Name	WIRE TO WIRE
Connector Type	TH16FW-NH
Connector Color	WHITE



Connector No.	E204
Connector Name	FUSIBLE LINK BOX (BATTERY)
Connector Type	24348 51E06
Connector Color	-

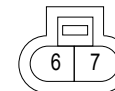


Connector No.	E255
Connector Name	WIRE TO WIRE
Connector Type	RS04MB
Connector Color	BLACK



Terminal No.	Color of Wire	Signal Name
4	L	PWM CONT FAN
5	B	PWM CONT FAN

Connector No.	E302
Connector Name	COOLING FAN CONTROL MODULE (COOLING FAN-2)
Connector Type	HK02FB
Connector Color	BLACK



Terminal No.	Color of Wire	Signal Name
1	G	TO MAIN HARNESS
2	W	TO MAIN HARNESS
3	G	TO MAIN HARNESS
4	R	TO MAIN HARNESS
5	W/L	TO MAIN HARNESS
6	W	TO MAIN HARNESS
7	L	TO MAIN HARNESS
8	R	TO MAIN HARNESS
9	B	TO MAIN HARNESS
10	R	TO MAIN HARNESS
11	W	TO MAIN HARNESS
12	B	TO MAIN HARNESS
13	O	TO MAIN HARNESS
14	O/L	TO MAIN HARNESS
15	Y	TO MAIN HARNESS
16	B	TO MAIN HARNESS

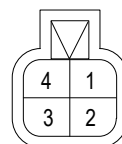
Terminal No.	Color of Wire	Signal Name
6	B/R	BATTERY

Connector No.	E253
Connector Name	WIRE TO WIRE
Connector Type	RS04MB
Connector Color	BLACK



Terminal No.	Color of Wire	Signal Name
1	R	TO ENGINE ROOM HARNESS
2	B	TO ENGINE ROOM HARNESS
3	G	TO ENGINE ROOM HARNESS
4	Y	TO ENGINE ROOM HARNESS

Connector No.	E256
Connector Name	ELECTRIC WATER PUMP
Connector Type	RS04FB-PR
Connector Color	BLACK

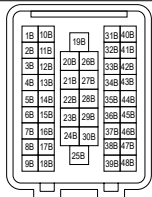


Terminal No.	Color of Wire	Signal Name
6	B	PWM CONT FAN
7	L	PWM CONT FAN

Terminal No.	Color of Wire	Signal Name
1	B	TO ENGINE ROOM HARNESS
2	-	TO ENGINE ROOM HARNESS
3	L	TO ENGINE ROOM HARNESS
4	-	TO ENGINE ROOM HARNESS

Terminal No.	Color of Wire	Signal Name
1	L	A/C RELAY OUTPUT

Connector No.	F1
Connector Name	WIRE TO WIRE
Connector Type	SAA36FB-RS10-SJZ2
Connector Color	BLACK



Terminal No.	Color of Wire	Signal Name
1B	G	TO ENGINE ROOM HARNESS
2B	O	TO ENGINE ROOM HARNESS
3B	W	TO ENGINE ROOM HARNESS
4B	R	TO ENGINE ROOM HARNESS
5B	Y	TO ENGINE ROOM HARNESS
6B	L	TO ENGINE ROOM HARNESS
7B	-	TO ENGINE ROOM HARNESS
8B	-	TO ENGINE ROOM HARNESS
9B	SHIELD	TO ENGINE ROOM HARNESS
10B	L	TO ENGINE ROOM HARNESS
11B	G	TO ENGINE ROOM HARNESS
12B	L	TO ENGINE ROOM HARNESS
13B	G	TO ENGINE ROOM HARNESS
14B	-	TO ENGINE ROOM HARNESS
15B	-	TO ENGINE ROOM HARNESS
16B	-	TO ENGINE ROOM HARNESS
17B	-	TO ENGINE ROOM HARNESS
18B	LG	TO ENGINE ROOM HARNESS
19B	-	TO ENGINE ROOM HARNESS
20B	-	TO ENGINE ROOM HARNESS
21B	B	TO ENGINE ROOM HARNESS
22B	W	TO ENGINE ROOM HARNESS
23B	LG	TO ENGINE ROOM HARNESS
24B	B	TO ENGINE ROOM HARNESS
25B	-	TO ENGINE ROOM HARNESS
26B	-	TO ENGINE ROOM HARNESS
27B	G	TO ENGINE ROOM HARNESS
28B	B	TO ENGINE ROOM HARNESS
29B	G	TO ENGINE ROOM HARNESS
30B	SB	TO ENGINE ROOM HARNESS
31B	R	TO ENGINE ROOM HARNESS
32B	BR	TO ENGINE ROOM HARNESS
33B	W	TO ENGINE ROOM HARNESS
34B	V	TO ENGINE ROOM HARNESS
35B	LG	TO ENGINE ROOM HARNESS
36B	B	TO ENGINE ROOM HARNESS
37B	O	TO ENGINE ROOM HARNESS
38B	P	TO ENGINE ROOM HARNESS
39B	-	TO ENGINE ROOM HARNESS

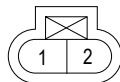
40B	SB	TO ENGINE ROOM HARNESS
41B	R	TO ENGINE ROOM HARNESS
42B	V	TO ENGINE ROOM HARNESS
43B	-	TO ENGINE ROOM HARNESS
44B	-	TO ENGINE ROOM HARNESS
45B	-	TO ENGINE ROOM HARNESS
46B	-	TO ENGINE ROOM HARNESS
47B	W	TO ENGINE ROOM HARNESS
48B	L	TO ENGINE ROOM HARNESS

Connector No.	F4
Connector Name	PARKING ACTUATOR
Connector Type	SAZ06FB-HS4
Connector Color	BLACK



Terminal No.	Color of Wire	Signal Name
1	B	MOTOR COIL A U-PHASE
2	G	PARKING ACTUATOR RELAY A OUTPUT
3	W	ENCODER SIGNAL B
4	-	-
5	O	ENCODER SIGNAL A
6	SB	MOTOR COIL A V-PHASE
7	LG	MOTOR COIL A W-PHASE
8	G	ENCODER GROUND
9	R	VENC
10	-	-

Connector No.	F12
Connector Name	COOLANT TEMPERATURE SENSOR
Connector Type	E02FGY-RS
Connector Color	GRAY



Terminal No.	Color of Wire	Signal Name
1	Y	COOLANT TEMPERATURE SENSOR

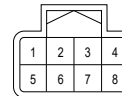
2	BR	COOLANT TEMPERATURE SENSOR GROUND
---	----	-----------------------------------

Connector No.	F13
Connector Name	TRACTION MOTOR INVERTER
Connector Type	RK22FGY
Connector Color	GRAY



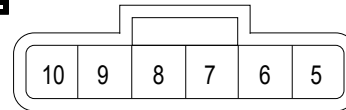
Terminal No.	Color of Wire	Signal Name
1	G	12V BATTERY POWER SUPPLY
2	-	-
3	L	TRACTION MOTOR RESOLVER SIGNAL (S2)
4	B	GROUND
5	L	EV SYSTEM CAN-H
6	G	12V BATTERY POWER SUPPLY
7	Y	TRACTION MOTOR TEMPERATURE SENSOR
8	-	-
9	P	TRACTION MOTOR RESOLVER SIGNAL (S4)
10	B	GROUND
11	G	EV SYSTEM CAN-L
12	Y	COOLANT TEMPERATURE SENSOR
13	-	-
14	W	TRACTION MOTOR RESOLVER SIGNAL (S3)
15	BR	COOLANT TEMPERATURE SENSOR GROUND
16	G	TRACTION MOTOR RESOLVER SIGNAL (R2)
17	-	-
18	LG	POWER ON POWER SUPPLY
19	B	TRACTION MOTOR RESOLVER SIGNAL (S1)
20	O	TRACTION MOTOR TEMPERATURE SENSOR GROUND
21	-	-
22	R	TRACTION MOTOR RESOLVER SIGNAL (R1)

Connector No.	F14
Connector Name	TRACTION MOTOR
Connector Type	RH08FB
Connector Color	BLACK



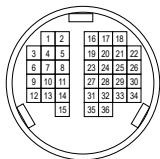
Terminal No.	Color of Wire	Signal Name
1	B	TRACTION MOTOR RESOLVER SIGNAL (S1)
2	G	TRACTION MOTOR RESOLVER SIGNAL (R2)
3	Y	TRACTION MOTOR TEMPERATURE SENSOR
4	O	TRACTION MOTOR TEMPERATURE SENSOR
5	R	TRACTION MOTOR RESOLVER SIGNAL (R1)
6	P	TRACTION MOTOR RESOLVER SIGNAL (S4)
7	L	TRACTION MOTOR RESOLVER SIGNAL (S2)
8	W	TRACTION MOTOR RESOLVER SIGNAL (S3)

Connector No.	F20
Connector Name	ELECTRIC COMPRESSOR (WITH HEAT PUMP)
Connector Type	SAZ06FB
Connector Color	BLACK



Terminal No.	Color of Wire	Signal Name
5	W	IGNITION
6	B	GROUND
7	-	-
8	L	LIN
9	-	-
10	-	-

Connector No.	F23
Connector Name	PDM (POWER DELIVERY MODULE)
Connector Type	RH36FG-GY
Connector Color	GREEN



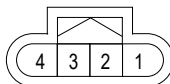
35	-	-
36	-	-

Connector No.	F32
Connector Name	PDM (POWER DELIVERY MODULE)
Connector Type	24340-EN013
Connector Color	-



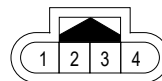
Terminal No.	Color of Wire	Signal Name
51	B/Y	BFT (-)

Connector No.	F33
Connector Name	WIRE TO WIRE
Connector Type	RH04FB
Connector Color	BLACK



Terminal No.	Color of Wire	Signal Name
1	P	TO ELECTRIC COMPRESSOR SUB-HARNESS
2	W	TO ELECTRIC COMPRESSOR SUB-HARNESS
3	L	TO ELECTRIC COMPRESSOR SUB-HARNESS
4	Y	TO ELECTRIC COMPRESSOR SUB-HARNESS

Connector No.	F101
Connector Name	WIRE TO WIRE
Connector Type	RH04MB
Connector Color	BLACK



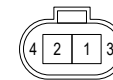
Terminal No.	Color of Wire	Signal Name
1	B/R	TO ENGINE CONTROL HARNESS
2	W	TO ENGINE CONTROL HARNESS
3	L	TO ENGINE CONTROL HARNESS
4	Y	TO ENGINE CONTROL HARNESS

Connector No.	F102
Connector Name	ELECTRIC COMPRESSOR (WITHOUT HEAT PUMP)
Connector Type	SAZ06FW
Connector Color	WHITE



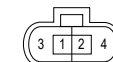
Terminal No.	Color of Wire	Signal Name
5	-	-
6	-	-
7	L	COMP TX
8	B/R	GROUND
9	Y	COMP RX
10	W	A/C RELAY OUTPUT

Connector No.	H1
Connector Name	ELECTRIC COMPRESSOR (WITHOUT HEAT PUMP)
Connector Type	TM02FOR
Connector Color	ORANGE



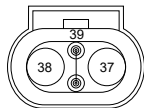
Terminal No.	Color of Wire	Signal Name
1	O	AC COMP P
2	O	AC COMP N
3	SHIELD	SHIELD
4	SHIELD	SHIELD

Connector No.	H2
Connector Name	ELECTRIC COMPRESSOR (WITH HEAT PUMP)
Connector Type	SHZ02FOR
Connector Color	ORANGE



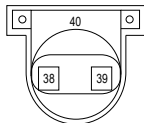
Terminal No.	Color of Wire	Signal Name
1	O	AC COMP N
2	O	AC COMP P
3	SHIELD	SHIELD
4	SHIELD	SHIELD

Connector No.	H3
Connector Name	LI-ION BATTERY
Connector Type	24342-3NF1A
Connector Color	ORANGE



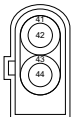
Terminal No.	Color of Wire	Signal Name
37	O	HV BATTERY (+)
38	O	HV BATTERY (-)
39	SHIELD	SHIELD

Connector No.	H5
Connector Name	PDM (POWER DELIVERY MODULE)
Connector Type	24340 3NF1B
Connector Color	ORANGE



Terminal No.	Color of Wire	Signal Name
38	O	HV BATTERY (+)
39	O	HV BATTERY (-)
40	SHIELD	SHIELD

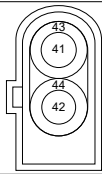
Connector No.	H6
Connector Name	PDM (POWER DELIVERY MODULE)
Connector Type	24340 3NF0E
Connector Color	ORANGE



Terminal No.	Color of Wire	Signal Name
41	O	AC COMP P

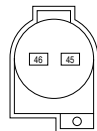
42	O	AC COMP N
43	SHIELD	SHIELD
44	SHIELD	SHIELD

Connector No.	H7
Connector Name	PDM (POWER DELIVERY MODULE)
Connector Type	24340-3NF0E
Connector Color	ORANGE



Terminal No.	Color of Wire	Signal Name
41	O	AC COMP P
42	O	AC COMP N
43	SHIELD	SHIELD
44	SHIELD	SHIELD

Connector No.	H8
Connector Name	PDM (POWER DELIVERY MODULE)
Connector Type	24340 3NF1A
Connector Color	ORANGE



Terminal No.	Color of Wire	Signal Name
45	O	Q-CHG P
46	O	Q-CHG N

Connector No.	H9
Connector Name	PDM (POWER DELIVERY MODULE)
Connector Type	24340 3NF0D
Connector Color	ORANGE



Terminal No.	Color of Wire	Signal Name
47	O	N-CHG P
48	O	N-CHG N

Connector No.	H10
Connector Name	QUICK CHARGE PORT
Connector Type	24342-3NA1D
Connector Color	ORANGE



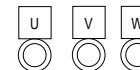
Terminal No.	Color of Wire	Signal Name
11	B	GROUND
12	Y	QUICK CHARGER START/STOP SIGNAL 1
14	L	QUICK CHARGER PERMIT SIGNAL
15	O	Q-CHG P
16	O	Q-CHG N
17	BR	QUICK CHARGER CONNECTION SIGNAL
18	W	CAN-H (QUICK CHARGER COMMUNICATION)
19	L	CAN-L (QUICK CHARGER COMMUNICATION)
20	G	QUICK CHARGER START/STOP SIGNAL 2

Connector No.	H11
Connector Name	NORMAL CHARGE PORT
Connector Type	24341-3NAOC
Connector Color	ORANGE



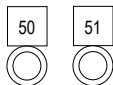
Terminal No.	Color of Wire	Signal Name
3	O	N-CHG N
4	O	N-CHG P
5	G	GROUND
6	W	EVSE CONNECTION SIGNAL
7	LG	EVSE COMMUNICATION (PWM)

Connector No.	H12
Connector Name	TRACTION MOTOR INVERTER
Connector Type	-
Connector Color	ORANGE



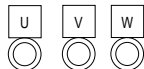
Terminal No.	Color of Wire	Signal Name
U	O	-
V	O	-
W	O	-

Connector No.	H13
Connector Name	TRACTION MOTOR INVERTER
Connector Type	24340-EN013
Connector Color	ORANGE



Terminal No.	Color of Wire	Signal Name
50	O	INVERTER LINE (P)
51	O	INVERTER LINE (N)

Connector No.	H14
Connector Name	TRACTION MOTOR
Connector Type	-
Connector Color	ORANGE



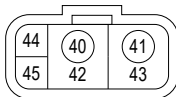
Terminal No.	Color of Wire	Signal Name
U	O	-
V	O	-
W	O	-

Connector No.	H17
Connector Name	PDM (POWER DELIVERY MODULE)
Connector Type	24340-EN013
Connector Color	ORANGE



Terminal No.	Color of Wire	Signal Name
49	O	INVERTER LINE (P)
50	O	INVERTER LINE (N)

Connector No.	H19
Connector Name	LI-ION BATTERY
Connector Type	24347-3NF2A
Connector Color	ORANGE



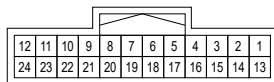
Terminal No.	Color of Wire	Signal Name
40	O	P (+)
41	O	N (-)
42	SHIELD	SHIELD (+)
43	SHIELD	SHIELD (-)
44	GR	HIGH VOLTAGE CABLE CONNECTION - DETECTING CIRCUIT (IN)
45	GR	HIGH VOLTAGE CABLE CONNECTION - DETECTING CIRCUIT (OUT)

Connector No.	M1
Connector Name	FUSE BLOCK (J/B)
Connector Type	L01FW-MC
Connector Color	WHITE



Terminal No.	Color of Wire	Signal Name
1	W	BATTERY

Connector No.	M2
Connector Name	ADAS CONTROL UNIT
Connector Type	TH24FW-NH
Connector Color	WHITE



Terminal No.	Color of Wire	Signal Name
--------------	---------------	-------------

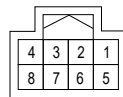
1	BR	CAN COMMUNICATION-H
2	W	CAN COMMUNICATION-L
3	-	-
4	-	-
5	B	GROUND
6	BR	ITS CAN COMMUNICATION-H
7	P	ITS CAN COMMUNICATION-L
8	GR	CHASSIS CAN COMMUNICATION-H
9	Y	CHASSIS CAN COMMUNICATION-L
10	LA/BR	DRIVER ASSISTANCE BUZZER DRIVE SIGNAL
11	LA/W	DRIVER ASSISTANCE BUZZER DRIVE SIGNAL GROUND
12	G	IGNITION POWER SUPPLY
13	R	STEERING VIBRATION MOTOR SIGNAL
14	-	-
15	-	-
16	B	STEERING VIBRATION MOTOR SIGNAL GROUND
17	LA/V	BRAKE HOLD RELAY DRIVE SIGNAL
18	V	STEERING ASSIST SWITCH SIGNAL
19	-	-
20	-	-
21	-	-
22	-	-
23	-	-
24	-	-

Connector No.	M3
Connector Name	DRIVER ASSISTANCE BUZZER
Connector Type	NS02FW-CS
Connector Color	WHITE



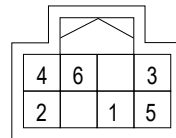
Terminal No.	Color of Wire	Signal Name
1	LA/BR	DRIVER ASSISTANCE BUZZER SIGNAL
2	LA/W	DRIVER ASSISTANCE BUZZER SIGNAL GROUND

Connector No.	M5
Connector Name	STEERING ASSIST SWITCH
Connector Type	TH08FL-NH
Connector Color	BLUE



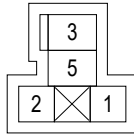
Terminal No.	Color of Wire	Signal Name
1	W	ILL +
2	-	-
3	-	-
4	B	ILL -
5	-	-
6	V	LKA SW
7	-	-
8	GR	GROUND

Connector No.	M6
Connector Name	HEATED STEERING WHEEL SWITCH
Connector Type	TH08FW-NH
Connector Color	WHITE



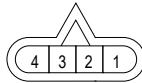
Terminal No.	Color of Wire	Signal Name
1	LA/LG	STRG HEATER SW
2	B	GROUND
3	R	TAIL 1
4	B	ILL CONT OUT
5	G	HEATED STEERING WHEEL RELAY OUT
6	B	GROUND

Connector No.	M7
Connector Name	HEATED STEERING WHEEL RELAY
Connector Type	MS02FL-M2-LC
Connector Color	BLUE



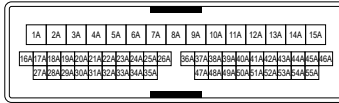
Terminal No.	Color of Wire	Signal Name
1	Y	BATTERY
2	V	STRG RLY
3	R	BATTERY
5	BR	RELAY OUT

Connector No.	M8
Connector Name	WIRE TO WIRE
Connector Type	RK04FY-BD
Connector Color	YELLOW



Terminal No.	Color of Wire	Signal Name
1	LG	TO FRONT PASSENGER AIR BAG JUMPER HARNESS
2	GR	TO FRONT PASSENGER AIR BAG JUMPER HARNESS
3	W	TO FRONT PASSENGER AIR BAG JUMPER HARNESS
4	R	TO FRONT PASSENGER AIR BAG JUMPER HARNESS

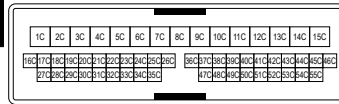
Connector No.	M10
Connector Name	WIRE TO WIRE
Connector Type	TH40MW-CS15
Connector Color	WHITE



Terminal No.	Color of Wire	Signal Name
1A	LG	TO FRONT DOOR RH HARNESS
2A	V	TO FRONT DOOR RH HARNESS
3A	BR	TO FRONT DOOR RH HARNESS
4A	Y	TO FRONT DOOR RH HARNESS
5A	W	TO FRONT DOOR RH HARNESS
6A	SB	TO FRONT DOOR RH HARNESS
7A	L	TO FRONT DOOR RH HARNESS
8A	R	TO FRONT DOOR RH HARNESS (WITHOUT BOSE AUDIO SYSTEM)
8A	L	TO FRONT DOOR RH HARNESS (WITH BOSE AUDIO SYSTEM)
9A	P	TO FRONT DOOR RH HARNESS (WITH BOSE AUDIO SYSTEM)
9A	G	TO FRONT DOOR RH HARNESS (WITHOUT BOSE AUDIO SYSTEM)
10A	SHIELD	TO FRONT DOOR RH HARNESS
11A	B	TO FRONT DOOR RH HARNESS
12A	-	TO FRONT DOOR RH HARNESS
13A	-	TO FRONT DOOR RH HARNESS
14A	-	TO FRONT DOOR RH HARNESS
15A	-	TO FRONT DOOR RH HARNESS
16A	LA/L	TO FRONT DOOR RH HARNESS
17A	LA/LG	TO FRONT DOOR RH HARNESS
18A	LA/BR	TO FRONT DOOR RH HARNESS
19A	LA/G	TO FRONT DOOR RH HARNESS
20A	LA/R	TO FRONT DOOR RH HARNESS
21A	LA/Y	TO FRONT DOOR RH HARNESS
22A	B	TO FRONT DOOR RH HARNESS
23A	R	TO FRONT DOOR RH HARNESS
24A	LA/SB	TO FRONT DOOR RH HARNESS
25A	V	TO FRONT DOOR RH HARNESS
26A	-	TO FRONT DOOR RH HARNESS
27A	L	TO FRONT DOOR RH HARNESS
28A	V	TO FRONT DOOR RH HARNESS
29A	LG	TO FRONT DOOR RH HARNESS
30A	SHIELD	TO FRONT DOOR RH HARNESS
31A	-	TO FRONT DOOR RH HARNESS
32A	-	TO FRONT DOOR RH HARNESS
33A	-	TO FRONT DOOR RH HARNESS
34A	-	TO FRONT DOOR RH HARNESS
35A	-	TO FRONT DOOR RH HARNESS

36A	BR	TO FRONT DOOR RH HARNESS
37A	Y	TO FRONT DOOR RH HARNESS
38A	SHIELD	TO FRONT DOOR RH HARNESS
39A	-	TO FRONT DOOR RH HARNESS
40A	-	TO FRONT DOOR RH HARNESS
41A	-	TO FRONT DOOR RH HARNESS
42A	-	TO FRONT DOOR RH HARNESS
43A	-	TO FRONT DOOR RH HARNESS
44A	-	TO FRONT DOOR RH HARNESS
45A	-	TO FRONT DOOR RH HARNESS
46A	-	TO FRONT DOOR RH HARNESS
47A	-	TO FRONT DOOR RH HARNESS
48A	-	TO FRONT DOOR RH HARNESS
49A	-	TO FRONT DOOR RH HARNESS
50A	-	TO FRONT DOOR RH HARNESS
51A	-	TO FRONT DOOR RH HARNESS
52A	-	TO FRONT DOOR RH HARNESS
53A	-	TO FRONT DOOR RH HARNESS
54A	-	TO FRONT DOOR RH HARNESS
55A	-	TO FRONT DOOR RH HARNESS

Connector No.	M11
Connector Name	WIRE TO WIRE
Connector Type	TH40MW-CS15
Connector Color	WHITE



Terminal No.	Color of Wire	Signal Name
1C	V	TO FRONT DOOR LH HARNESS
2C	R	TO FRONT DOOR LH HARNESS
3C	BR	TO FRONT DOOR LH HARNESS
4C	L	TO FRONT DOOR LH HARNESS
5C	SB	TO FRONT DOOR LH HARNESS
6C	W	TO FRONT DOOR LH HARNESS
7C	Y	TO FRONT DOOR LH HARNESS
8C	LG	TO FRONT DOOR LH HARNESS
9C	BG	TO FRONT DOOR LH HARNESS
10C	V	TO FRONT DOOR LH HARNESS
11C	L	TO FRONT DOOR LH HARNESS (WITHOUT BOSE AUDIO SYSTEM)
11C	G	TO FRONT DOOR LH HARNESS (WITH BOSE AUDIO SYSTEM)
12C	R	TO FRONT DOOR LH HARNESS (WITH BOSE AUDIO SYSTEM)
12C	P	TO FRONT DOOR LH HARNESS (WITHOUT BOSE AUDIO SYSTEM)
13C	SHIELD	TO FRONT DOOR LH HARNESS
14C	BR	TO FRONT DOOR LH HARNESS

15C	B	TO FRONT DOOR LH HARNESS
16C	LA/L	TO FRONT DOOR LH HARNESS
17C	LA/BR	TO FRONT DOOR LH HARNESS
18C	LA/LG	TO FRONT DOOR LH HARNESS
19C	LA/L	TO FRONT DOOR LH HARNESS
20C	R	TO FRONT DOOR LH HARNESS
21C	LA/LG	TO FRONT DOOR LH HARNESS
22C	B	TO FRONT DOOR LH HARNESS
23C	LA/R	TO FRONT DOOR LH HARNESS
24C	LA/GR	TO FRONT DOOR LH HARNESS
25C	LA/P	TO FRONT DOOR LH HARNESS
26C	LA/V	TO FRONT DOOR LH HARNESS
27C	LA/W	TO FRONT DOOR LH HARNESS
28C	Y	TO FRONT DOOR LH HARNESS
29C	BR	TO FRONT DOOR LH HARNESS
30C	LG	TO FRONT DOOR LH HARNESS
31C	LA/BR	TO FRONT DOOR LH HARNESS
32C	B	TO FRONT DOOR LH HARNESS
33C	W	TO FRONT DOOR LH HARNESS
34C	R	TO FRONT DOOR LH HARNESS
35C	SHIELD	TO FRONT DOOR LH HARNESS
36C	R	TO FRONT DOOR LH HARNESS
37C	G	TO FRONT DOOR LH HARNESS
38C	SHIELD	TO FRONT DOOR LH HARNESS
39C	-	TO FRONT DOOR LH HARNESS
40C	-	TO FRONT DOOR LH HARNESS
41C	-	TO FRONT DOOR LH HARNESS
42C	-	TO FRONT DOOR LH HARNESS
43C	-	TO FRONT DOOR LH HARNESS
44C	-	TO FRONT DOOR LH HARNESS
45C	-	TO FRONT DOOR LH HARNESS
46C	-	TO FRONT DOOR LH HARNESS
47C	-	TO FRONT DOOR LH HARNESS
48C	-	TO FRONT DOOR LH HARNESS
49C	-	TO FRONT DOOR LH HARNESS
50C	-	TO FRONT DOOR LH HARNESS
51C	-	TO FRONT DOOR LH HARNESS
52C	-	TO FRONT DOOR LH HARNESS
53C	-	TO FRONT DOOR LH HARNESS
54C	-	TO FRONT DOOR LH HARNESS
55C	-	TO FRONT DOOR LH HARNESS

Connector No.	M13
Connector Name	WARNING BUZZER
Connector Type	TK02FBR
Connector Color	BROWN



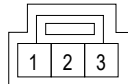
Terminal No.	Color of Wire	Signal Name
1	BR	BUZZER SIGNAL
2	R	BUZZER POWER

Connector No.	M14
Connector Name	WIRE TO WIRE
Connector Type	TK02FBR
Connector Color	BROWN



Terminal No.	Color of Wire	Signal Name
1	BR	TO MAIN SUB-HARNESS (WITH BOSE)
1	G	TO MAIN SUB-HARNESS (WITHOUT BOSE)
2	Y	TO MAIN SUB-HARNESS (WITH BOSE)
2	R	TO MAIN SUB-HARNESS (WITHOUT BOSE)

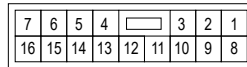
Connector No.	M16
Connector Name	OPTICAL SENSOR
Connector Type	TK03FW
Connector Color	WHITE



Terminal No.	Color of Wire	Signal Name
--------------	---------------	-------------

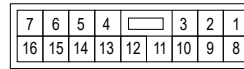
1	Y	AUTO LIGHT SENSOR POWER SUPPLY OUTPUT
2	G	AUTO LIGHT SENSOR INPUT
3	V	KEYLESS TUNER, AUTO LIGHT SENSOR GROUND

Connector No.	M18
Connector Name	WIRE TO WIRE
Connector Type	NS16FW-CS
Connector Color	WHITE



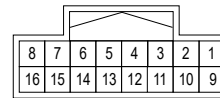
Terminal No.	Color of Wire	Signal Name
1	R	TO BODY HARNESS
2	L	TO BODY HARNESS
3	G	TO BODY HARNESS
4	B	TO BODY HARNESS
5	W	TO BODY HARNESS
6	LG	TO BODY HARNESS
7	Y	TO BODY HARNESS
8	V	TO BODY HARNESS
9	SHIELD	TO BODY HARNESS
10	P	TO BODY HARNESS (WITHOUT BOSE AUDIO SYSTEM)
10	L	TO BODY HARNESS (WITH BOSE AUDIO SYSTEM)
11	P	TO BODY HARNESS (WITH BOSE AUDIO SYSTEM)
11	BR	TO BODY HARNESS (WITHOUT BOSE AUDIO SYSTEM)
12	SB	TO BODY HARNESS
13	G	TO BODY HARNESS
14	G	TO BODY HARNESS
15	R	TO BODY HARNESS
16	SHIELD	TO BODY HARNESS

Connector No.	M19
Connector Name	WIRE TO WIRE
Connector Type	NS16FW-CS
Connector Color	WHITE



Terminal No.	Color of Wire	Signal Name
1	-	TO BODY HARNESS
2	BR	TO BODY HARNESS
3	BG	TO BODY HARNESS
4	-	TO BODY HARNESS
5	W	TO BODY HARNESS
6	L	TO BODY HARNESS
7	LA/L	TO BODY HARNESS
8	V	TO BODY HARNESS
9	SB	TO BODY HARNESS
10	GR	TO BODY HARNESS
11	R	TO BODY HARNESS
12	LG	TO BODY HARNESS
13	P	TO BODY HARNESS
14	V	TO BODY HARNESS
15	G	TO BODY HARNESS
16	Y	TO BODY HARNESS

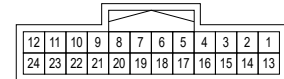
Connector No.	M21
Connector Name	WIRE TO WIRE
Connector Type	TH16FW-NH
Connector Color	WHITE



Terminal No.	Color of Wire	Signal Name
1	W	TO BODY HARNESS
2	-	TO BODY HARNESS
3	-	TO BODY HARNESS
4	B	TO BODY HARNESS
5	W	TO BODY HARNESS
6	L	TO BODY HARNESS
7	G	TO BODY HARNESS
8	G	TO BODY HARNESS

9	SB	TO BODY HARNESS
10	R	TO BODY HARNESS
11	V	TO BODY HARNESS
12	Y	TO BODY HARNESS
13	LA/V	TO BODY HARNESS
14	SHIELD	TO BODY HARNESS
15	Y	TO BODY HARNESS
16	L	TO BODY HARNESS

Connector No.	M22
Connector Name	WIRE TO WIRE
Connector Type	TH24FW-NH
Connector Color	WHITE



Terminal No.	Color of Wire	Signal Name
1	GR	TO BODY HARNESS
2	GR	TO BODY HARNESS
3	-	TO BODY HARNESS
4	-	TO BODY HARNESS
5	BR	TO BODY HARNESS
6	GR	TO BODY HARNESS
7	BR	TO BODY HARNESS
8	LA/BR	TO BODY HARNESS
9	BR	TO BODY HARNESS
10	LA/BR	TO BODY HARNESS
11	LA/G	TO BODY HARNESS
12	LA/W	TO BODY HARNESS
13	G	TO BODY HARNESS
14	Y	TO BODY HARNESS
15	BR	TO BODY HARNESS
16	R	TO BODY HARNESS
17	Y	TO BODY HARNESS
18	BG	TO BODY HARNESS
19	GR	TO BODY HARNESS
20	LA/SB	TO BODY HARNESS
21	R	TO BODY HARNESS
22	LA/L	TO BODY HARNESS
23	LA/R	TO BODY HARNESS
24	LA/B	TO BODY HARNESS

Connector No.	M23
Connector Name	BCM (BODY CONTROL MODULE)
Connector Type	TH40FW-NH
Connector Color	WHITE



71	72	73	74	75	76	77	78	79	80	81	82	83	84	85	86	87	88	89	90
91	92	93	94	95	96	97	98	99	100	101	102	103	104	105	106	107	108	109	110

108	-	-
109	-	-
110	-	-

Connector No.	M24
Connector Name	BCM (BODY CONTROL MODULE)
Connector Type	TH40FB-NH
Connector Color	BLACK



1	2	3	4	5	6	7	8	9	10	11	12	13	14	15	16	17	18	19	20
21	22	23	24	25	26	27	28	29	30	31	32	33	34	35	36	37	38	39	40

34	LA/W	COMBINATION SW OUTPUT 3
35	LA/BG	COMBINATION SW OUTPUT 2
36	LA/P	COMBINATION SW OUTPUT 1
37	LA/Y	SHIFT P POSITION, PARKING POSITION SW
38	-	-
39	L	CAN-H
40	P	CAN-L

Connector No.	M25
Connector Name	BCM (BODY CONTROL MODULE)
Connector Type	FEA09FW-FHA6-SA
Connector Color	WHITE



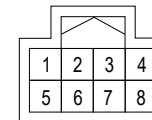
56	57	58	59	60	61	62	63	64
65	66	67	68	69	70			

Terminal No.	Color of Wire	Signal Name
56	GR	BATTERY SAVER OUTPUT
57	P	BATTERY (FUSE)
58	W	SHOCK DETECT SIGNAL
59	LG	DOOR UNLOCK OUTPUT (AS)
60	V	FLASHER OUTPUT (LEFT)
61	R	FLASHER OUTPUT (RIGHT)
62	-	-
63	BR	ROOM LAMP CONTROL
64	-	-
65	V	DOOR LOCK OUTPUT
66	BR	DOOR UNLOCK COMMON (DR)
67	B	GROUND
68	L	POWER WINDOW POWER SUPPLY (RAP)
69	R	POWER WINDOW POWER SUPPLY (BATTERY)
70	Y	BATTERY (F/L)

Terminal No.	Color of Wire	Signal Name
71	-	-
72	-	-
73	-	-
74	-	-
75	LA/LG	REQUEST SW (DR)
76	LA/SB	ENGINE START SW
77	-	-
78	LA/P	DOOR ANTENNA (DR) +
79	LA/V	DOOR ANTENNA (DR) -
80	LA/R	DOOR ANTENNA (AS) +
81	LA/G	DOOR ANTENNA (AS) -
82	LA/W	BACK DOOR ANTENNA +
83	LA/B	BACK DOOR ANTENNA -
84	BR	ROOM ANTENNA 1 +
85	Y	ROOM ANTENNA 1 -
86	LA/G	ROOM ANTENNA 2 +
87	LA/R	ROOM ANTENNA 2 -
88	LA/BR	ROOM ANTENNA 3 +
89	LA/L	ROOM ANTENNA 3 -
90	LA/Y	HIGH SIDE ENGINE START SW ILLUMINATION LED
91	LA/V	POWER POSITION LED (LOCK POSITION LED)
92	B	LOW SIDE ENGINE START SW ILLUMINATION LED OUTPUT
93	LA/G	SMART KEYLESS BUZZER OUTPUT
94	-	-
95	-	-
96	BR	ACCESSORY RELAY OUTPUT
97	LA/GR	STARTER RELAY OUTPUT
98	LA/L	IGNITION RELAY OUTPUT1 (USM)
99	GR	IGNITION RELAY OUTPUT2 (ELEC)
100	LA/Y	REQUEST SWITCH (AS)
101	-	-
102	LA/BG	SHIFT N, P
103	-	-
104	-	-
105	LA/GR	BRAKE SW2
106	-	-
107	-	-

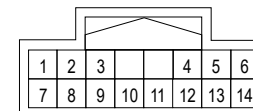
Terminal No.	Color of Wire	Signal Name
1	-	-
2	LA/L	COMBINATION SW INPUT 5
3	LA/GR	COMBINATION SW INPUT 4
4	LA/BR	COMBINATION SW INPUT 3
5	LA/G	COMBINATION SW INPUT 2
6	LA/V	COMBINATION SW INPUT 1
7	LA/GR	KEY CYLINDER UNLOCK SW
8	LA/R	KEY CYLINDER LOCK SW
9	LA/BR	BRAKE SW1
10	-	-
11	-	-
12	Y	CENTRAL DOOR LOCK SW
13	BR	CENTRAL DOOR UNLOCK SW
14	G	AUTO LIGHT SENSOR INPUT
15	LA/W	REAR DEFOGGER SW
16	-	-
17	Y	AUTO LIGHT SENSOR POWER SUPPLY OUTPUT
18	LA/L	KEYLESS TUNER, AUTO LIGHT SENSOR GROUND
19	LA/BR	KEYLESS TUNER POWER SUPPLY
20	LA/SB	KEYLESS TUNER SIGNAL
21	LA/P	IMMOBILIZER ONE WAY COMMUNICATION (CLOCK)
22	LA/W	KEYLESS TUNER RSSI
23	LA/G	SECURITY INDICATOR OUTPUT
24	SB	AUDIO/DONGLE LINK (SERIAL)
25	LA/LG	IMMOBILIZER TWO WAY COMMUNICATION
26	-	-
27	-	-
28	-	-
29	G	HAZARD SW
30	LA/V	BACK DOOR OPENER SW
31	LA/W	DOOR LOCK STATUS SW (DR)
32	LA/LG	COMBINATION SW OUTPUT 5
33	LA/Y	COMBINATION SW OUTPUT 4

Connector No.	M26
Connector Name	METER CONTROL SWITCH
Connector Type	TH08FW-NH
Connector Color	WHITE



Terminal No.	Color of Wire	Signal Name
1	R	ILL
2	LA/B	GROUND
3	-	-
4	LA/B	SW GROUND
5	LA/BR	TRIP RESET SW
6	LA/P	ILL CONT UP
7	LA/SB	ILL CONT DOWN
8	-	-

Connector No.	M27
Connector Name	COMBINATION SWITCH
Connector Type	TH16FW-NH
Connector Color	WHITE



Terminal No.	Color of Wire	Signal Name
1	LG	WASHER MTR-
2	LA/GR	COMBINATION SW OUTPUT 4
3	R	WASHER MTR+
4	SB	POWER SWITCH ON
5	LA/BR	COMBINATION SW OUTPUT 3
6	B	GROUND
7	LA/W	COMBINATION SW INPUT 3
8	LA/L	COMBINATION SW OUTPUT 5
9	LA/BG	COMBINATION SW INPUT 2
10	LA/Y	COMBINATION SW INPUT 4
11	LA/P	COMBINATION SW INPUT 1
12	LA/V	COMBINATION SW OUTPUT 1
13	LA/LG	COMBINATION SW INPUT 5
14	LA/G	COMBINATION SW OUTPUT 2

Connector No.	M29
Connector Name	BCM (BODY CONTROL MODULE)
Connector Type	FEA09FB-FHA6-SA
Connector Color	BLACK



41	42	43	44	45	46	47	48	49
50	51	52	53	54	55			

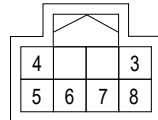
Connector No.	M32
Connector Name	AROUND VIEW MONITOR CONTROL UNIT
Connector Type	TH40FW-NH
Connector Color	WHITE



2	4	6	8	10	12	14	16	18	20	22	24	26	28	30	32	34	36	38	40
1	3	5	7	9	11	13	15	17	19	21	23	25	27	29	31	33	35	37	39

40	W	IGNITION
----	---	----------

Connector No.	M33
Connector Name	POWER SWITCH
Connector Type	TH08FW-NH
Connector Color	WHITE



15	LA/P	ILL CONT UP
16	LA/SB	ILL CONT DOWN
17	-	-
18	LA/B	SW GROUND
19	B	STRG SW GROUND
20	-	-
21	LG	BATTERY
22	Y	WASHER SW
23	GR	IGNITION
24	-	-
25	BR	ACCESSORY
26	-	-
27	-	-
28	-	-
29	LA/G	BRAKE OIL
30	BG	PKB SW
31	W	BUCKLE SW FR DR
32	-	-
33	-	-
34	-	-
35	V	STRG SW INPUT1
36	G	STRG SW INPUT2
37	-	-
38	-	-
39	B	GROUND1 (ILL)
40	B	GROUND2 (POWER)

Terminal No.	Color of Wire	Signal Name
41	-	-
42	-	-
43	Y	DOOR SW (BACK)
44	LG	REAR WIPER AUTO STOP SW
45	BR	DOOR SW (AS)
46	R	DOOR SW (RR)
47	SB	DOOR SW (DR)
48	V	DOOR SW (RL)
49	BG	LUGGAGE LAMP OUTPUT
50	-	-
51	R	REQUEST SW (BACK DOOR)
52	-	-
53	Y	BACK DOOR OPEN OUTPUT
54	P	REAR WIPER MOTOR OUTPUT
55	GR	DOOR UNLOCK OUTPUT (RR, RL)

Terminal No.	Color of Wire	Signal Name
1	-	-
2	-	-
3	SHIELD	VIDEO OUTPUT-
4	W	VIDEO OUTPUT+
5	W	FV GROUND
6	R	FV POWER
7	SHIELD	FV VIDEO GROUND
8	B	FV VIDEO+
9	V	SV1 GROUND
10	L	SV1 POWER
11	SHIELD	SV1 VIDEO GROUND
12	LG	SV1 VIDEO+
13	W	SV2 GROUND
14	B	SV2 POWER
15	SHIELD	SV2 VIDEO GROUND
16	R	SV2 VIDEO+
17	L	RV GROUND
18	G	RV POWER
19	SHIELD	RV VIDEO GROUND
20	Y	RV VIDEO+
21	-	-
22	-	-
23	-	-
24	R	CAN-L
25	-	-
26	BR	CAN-H
27	-	-
28	-	-
29	-	-
30	-	-
31	-	-
32	SB	REV
33	-	-
34	-	-
35	-	-
36	-	-
37	-	-
38	-	-
39	B	GROUND

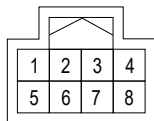
Terminal No.	Color of Wire	Signal Name
3	G	BATTERY
4	B	GROUND
5	LA/Y	HIGH SIDE ENGINE START SW ILLUMINATION LED
6	R	LOW SIDE ENGINE START SW ILLUMINATION LED OUTPUT
7	LA/V	POWER POSITION LED (LOCK POSITION LED)
8	LA/SB	ENGINE START SW

Connector No.	M34
Connector Name	COMBINATION METER
Connector Type	TH40FW-NH
Connector Color	WHITE



1	2	3	4	5	6	7	8	9	10	11	12	13	14	15	16	17	18	19	20
21	22	23	24	25	26	27	28	29	30	31	32	33	34	35	36	37	38	39	40

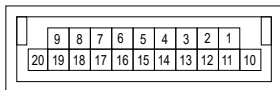
Connector No.	M30
Connector Name	STEERING ANGLE SENSOR
Connector Type	TH08FW-NH
Connector Color	WHITE



Terminal No.	Color of Wire	Signal Name
1	LA/B	GROUND
2	G	CAN-L
3	-	-
4	LA/G	POWER SWITCH ON
5	GR	CAN-H
6	-	-
7	-	-
8	-	-

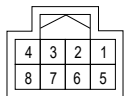
Terminal No.	Color of Wire	Signal Name
1	B	ILL CONT OUT
2	-	-
3	-	-
4	-	-
5	-	-
6	-	-
7	-	-
8	L	CAN-H
9	LA/L	CHARGE INDICATOR
10	P	CAN-L
11	LA/G	SECURITY
12	SB	M CAN-H
13	LA/BR	TRIP RESET SW
14	LG	M CAN-L

Connector No.	M36*
Connector Name	JOINT CONNECTOR-M02
Connector Type	NH20FL-DC
Connector Color	BLUE



Terminal No.	Color of Wire	Signal Name
1	LA/B	BUS BAR A
2	B	BUS BAR A
3	B	BUS BAR A
4	B	BUS BAR A
5	B	BUS BAR A
6	B	BUS BAR A
7	LA/B	BUS BAR A
8	B	BUS BAR A
9	-	BUS BAR A
10	LA/R	BUS BAR B
11	R	BUS BAR B
12	R	BUS BAR B
13	LA/R	BUS BAR B
14	GR	BUS BAR B
15	LA/B	BUS BAR B
16	LA/B	BUS BAR B
17	LA/B	BUS BAR B
18	V	BUS BAR C
19	LA/L	BUS BAR C
20	LA/V	BUS BAR C

Connector No.	M37
Connector Name	EPS CONTROL UNIT
Connector Type	TH08FW-NH
Connector Color	WHITE



Terminal No.	Color of Wire	Signal Name
1	G	CAN-L
2	GR	CAN-H
3	-	-
4	LA/W	V IGNITION

5	-	-
6	-	-
7	-	-
8	-	-

Connector No.	M38
Connector Name	EPS CONTROL UNIT
Connector Type	L02FB-MC
Connector Color	BLACK



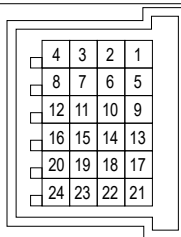
Terminal No.	Color of Wire	Signal Name
9	R	BATTERY+
10	B	GROUND

Connector No.	M39
Connector Name	BLOWER MOTOR
Connector Type	L02FGY-MC
Connector Color	GRAY



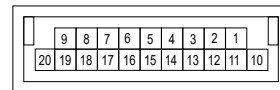
Terminal No.	Color of Wire	Signal Name
1	B/W	BATTERY
2	L	BLR PWM

Connector No.	M40*
Connector Name	JOINT CONNECTOR-M05
Connector Type	NH24FW-J
Connector Color	WHITE



Terminal No.	Color of Wire	Signal Name
1	L	BUS BAR A
2	P	BUS BAR B
3	-	BUS BAR C
4	-	BUS BAR D
5	L	BUS BAR A
6	P	BUS BAR B
7	G	BUS BAR C
8	L	BUS BAR D
9	-	BUS BAR A
10	-	BUS BAR B
11	G	BUS BAR C
12	L	BUS BAR D
13	L	BUS BAR A
14	P	BUS BAR B
15	-	BUS BAR C
16	-	BUS BAR D
17	L	BUS BAR A
18	P	BUS BAR B
19	G	BUS BAR C
20	L	BUS BAR D
21	L	BUS BAR A
22	P	BUS BAR B
23	G	BUS BAR C
24	L	BUS BAR D

Connector No.	M41*
Connector Name	JOINT CONNECTOR-M06
Connector Type	NH20FL-DC
Connector Color	BLUE



Terminal No.	Color of Wire	Signal Name
1	-	BUS BAR A
2	B	BUS BAR A
3	B	BUS BAR A
4	B	BUS BAR A
5	B	BUS BAR A
6	B	BUS BAR A
7	B	BUS BAR A
8	B	BUS BAR A
9	B	BUS BAR A
10	Y	BUS BAR B
11	Y	BUS BAR B
12	-	BUS BAR B
13	LA/G	BUS BAR B
14	-	BUS BAR B
15	Y	BUS BAR B
16	LG	BUS BAR B
17	W	BUS BAR B
18	-	BUS BAR C
19	-	BUS BAR C
20	-	BUS BAR C

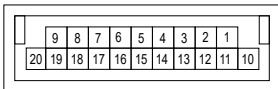
Connector No.	M42
Connector Name	IN-VEHICLE SENSOR
Connector Type	A02FW
Connector Color	WHITE



Terminal No.	Color of Wire	Signal Name
1	LG	INCAR SENS
2	R	SENS GROUND

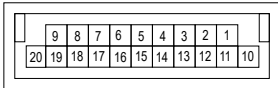
*: PIN-OUTS MAY BE IN NO SPECIFIC ORDER ON A COMMON BUS BAR IN JOINT CONNECTORS.

Connector No.	M43*
Connector Name	JOINT CONNECTOR-M04
Connector Type	NH20FG-DC
Connector Color	GREEN



Terminal No.	Color of Wire	Signal Name
1	BR	BUS BAR A
2	BR	BUS BAR A
3	BR	BUS BAR A
4	-	BUS BAR A
5	-	BUS BAR A
6	SB	BUS BAR B
7	SB	BUS BAR B
8	SB	BUS BAR B
9	SB	BUS BAR B
10	P	BUS BAR C
11	P	BUS BAR C
12	P	BUS BAR C
13	BR	BUS BAR D
14	-	BUS BAR D
15	BR	BUS BAR D
16	BR	BUS BAR D
17	LG	BUS BAR E
18	LG	BUS BAR E
19	LG	BUS BAR E
20	LG	BUS BAR E

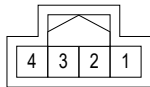
Connector No.	M44*
Connector Name	JOINT CONNECTOR-M01
Connector Type	NH20FG-DC
Connector Color	GREEN



Terminal No.	Color of Wire	Signal Name
1	-	BUS BAR A
2	-	BUS BAR A
3	-	BUS BAR A
4	-	BUS BAR A

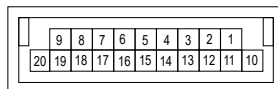
5	-	BUS BAR A
6	LA/SB	BUS BAR B
7	LA/BR	BUS BAR B
8	LA/L	BUS BAR B
9	LA/SB	BUS BAR B
10	R	BUS BAR C
11	R	BUS BAR C
12	R	BUS BAR C
13	BR	BUS BAR D
14	BR	BUS BAR D
15	BR	BUS BAR D
16	-	BUS BAR D
17	-	BUS BAR E
18	-	BUS BAR E
19	-	BUS BAR E
20	-	BUS BAR E

Connector No.	M45
Connector Name	HAZARD SWITCH
Connector Type	TH04FW-NH
Connector Color	WHITE



Terminal No.	Color of Wire	Signal Name
1	B	ILL CONT OUT
2	G	HAZARD SW
3	B	GROUND
4	W	TAIL 1

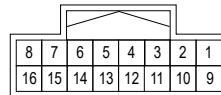
Connector No.	M46*
Connector Name	JOINT CONNECTOR-M07
Connector Type	NH20FG-DC
Connector Color	GREEN



Terminal No.	Color of Wire	Signal Name
1	-	BUS BAR A
2	SB	BUS BAR A
3	SB	BUS BAR A

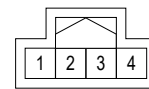
4	SB	BUS BAR A
5	SB	BUS BAR A
6	-	BUS BAR B
7	L	BUS BAR B
8	L	BUS BAR B
9	L	BUS BAR B
10	LA/SB	BUS BAR C
11	LA/SB	BUS BAR C
12	LA/SB	BUS BAR C
13	V	BUS BAR D
14	V	BUS BAR D
15	V	BUS BAR D
16	V	BUS BAR D
17	-	BUS BAR E
18	P	BUS BAR E
19	P	BUS BAR E
20	P	BUS BAR E

Connector No.	M47
Connector Name	APPROACHING VEHICLE SOUND FOR PEDESTRIANS (VSP) CONTROL UNIT
Connector Type	TH16FW-NH
Connector Color	WHITE



Terminal No.	Color of Wire	Signal Name
1	B	GROUND
2	-	-
3	-	-
4	L	CAN-H
5	-	-
6	-	-
7	L	VSP SPEAKER SIGNAL 1 (-)
8	Y	VSP SPEAKER SIGNAL 1 (+)
9	R	VSP SPEAKER SIGNAL 2 (-)
10	W	VSP SPEAKER SIGNAL 2(+)
11	G	POWER SWITCH SUPPLY
12	P	CAN-L
13	LG	BATTERY POWER SUPPLY
14	-	-
15	-	-
16	-	-

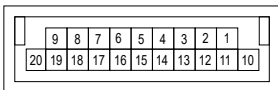
Connector No.	M49
Connector Name	NATS ANTENNA AMP.
Connector Type	TH04FW-NH
Connector Color	WHITE



Terminal No.	Color of Wire	Signal Name
1	LA/P	BATTERY
2	LA/P	IMMOBILIZER ONE WAY COMMUNICATION (CLOCK)
3	LA/LG	IMMOBILIZER TWO WAY COMMUNICATION
4	LA/B	GROUND

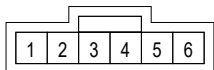
*: PIN-OUTS MAY BE IN NO SPECIFIC ORDER ON A COMMON BUS BAR IN JOINT CONNECTORS.

Connector No.	M50*
Connector Name	JOINT CONNECTOR-M03
Connector Type	NH20FL-DC
Connector Color	BLUE



Terminal No.	Color of Wire	Signal Name
1	LA/B	BUS BAR A
2	B	BUS BAR A
3	B	BUS BAR A
4	B	BUS BAR A
5	B	BUS BAR A
6	B	BUS BAR A
7	B	BUS BAR A
8	B	BUS BAR A
9	B	BUS BAR A
10	LA/W	BUS BAR B
11	W	BUS BAR B
12	G	BUS BAR B
13	W	BUS BAR B
14	Y	BUS BAR B
15	W	BUS BAR B
16	Y	BUS BAR B
17	G	BUS BAR B
18	-	BUS BAR C
19	-	BUS BAR C
20	-	BUS BAR C

Connector No.	M54
Connector Name	INTAKE DOOR MOTOR
Connector Type	MAA06FB-1V
Connector Color	BLACK



Terminal No.	Color of Wire	Signal Name
1	W	5V OUT
2	SB	INT F/B
3	GR	SENS GROUND
4	-	-

5	G	FRESH
6	V	REC

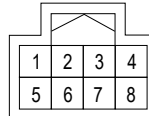
Connector No.	M55
Connector Name	A/C AUTO AMP.
Connector Type	TH40FW-NH
Connector Color	WHITE



Terminal No.	Color of Wire	Signal Name
1	V	REC
2	LA/R	MODE4
3	LA/P	MODE3
4	LA/BG	MODE2
5	LA/V	MODE1
6	LA/BR	MIX4
7	LA/GR	MIX3
8	LA/LG	MIX2
9	LA/L	MIX1
10	B	GROUND
11	-	-
12	GR	BLR PWM
13	-	-
14	LA/L	COMP TX
15	LA/W	RR DEF
16	LA/LG	STRG HEATER SW
17	LA/W	PTC TEMP SENS 1
18	LA/Y	COMP RX
19	LA/W	ILL+
20	B	ILL-
21	G	FRESH
22	V	STRG RLY
23	SB	SEAT HEAT RLY
24	-	-
25	-	-
26	-	-
27	W	5V OUT
28	L	EV CAN-H
29	G	EV CAN-L
30	LA/R	SENS GROUND
31	LA/G	BATTERY
32	Y	IGNITION 1
33	LG	INCAR SENS
34	LA/G	INTAKE SENS
35	P	SUN SENS
36	LA/GR	AMB SENS
37	LA/Y	PTC TEMP SENS 2

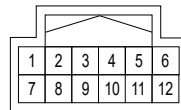
38	SB	INT F/B
39	-	-
40	LA/SB	LIN

Connector No.	M56
Connector Name	SELECTOR INDICATOR
Connector Type	TH08FW-NH
Connector Color	WHITE



Terminal No.	Color of Wire	Signal Name
1	Y	R POSITION INPUT
2	R	BATTERY
3	GR	P POSITION INPUT
4	B	ILL CONT OUT
5	SB	TAIL1
6	-	-
7	L	N POSITION INPUT
8	LG	D POSITION INPUT

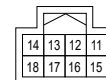
Connector No.	M57
Connector Name	ELECTRIC SHIFT SENSOR
Connector Type	TH12FW-NH
Connector Color	WHITE



Terminal No.	Color of Wire	Signal Name
1	R	ELECTRIC SHIFT SENSOR POWER SUPPLY 1
2	W	P POSITION SW NO. 1
3	G	ELECTRIC SHIFT SENSOR NO.4
4	G	ELECTRIC SHIFT SENSOR NO.6
5	B	ELECTRIC SHIFT SENSOR NO. 2
6	B	ELECTRIC SHIFT SENSOR GROUND 1
7	W	ELECTRIC SHIFT SENSOR POWER SUPPLY 2
8	R	P POSITION SW NO. 2
9	W	ELECTRIC SHIFT SENSOR NO. 5
10	R	ELECTRIC SHIFT SENSOR NO.3
11	B	ELECTRIC SHIFT SENSOR NO. 1

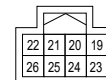
12	G	ELECTRIC SHIFT SENSOR GROUND 2
----	---	--------------------------------

Connector No.	M58
Connector Name	EPS CONTROL UNIT
Connector Type	TYCO 1379659-2
Connector Color	GRAY



Terminal No.	Color of Wire	Signal Name
11	B	TORQUE SENSOR GROUND
12	Y	TORQUE SUB SENSOR SIGNAL
13	-	-
14	R	TORQUE SENSOR POWER SUPPLY
15	G	TORQUE MAIN SENSOR SIGNAL
16	-	-
17	W	TORQUE SENSOR REFERENCE VOLTAGE
18	-	-

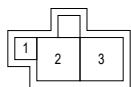
Connector No.	M59
Connector Name	EPS CONTROL UNIT
Connector Type	TYCO 1379659-1
Connector Color	BLACK



Terminal No.	Color of Wire	Signal Name
19	W	REFERENCE SIGNAL R1
20	-	-
21	B	GROUND
22	-	-
23	-	-
24	Y	POSITION SIGNAL S2 (SINE)
25	-	-
26	R	POSITION SIGNAL S1 (COSINE)

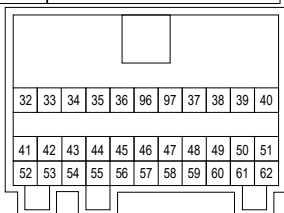
*: PIN-OUTS MAY BE IN NO SPECIFIC ORDER ON A COMMON BUS BAR IN JOINT CONNECTORS.

Connector No.	M60
Connector Name	POWER SOCKET
Connector Type	CEA01FB-CHA2
Connector Color	BLACK



Terminal No.	Color of Wire	Signal Name
1	-	-
2	BG	IGNITION
3	B	GROUND

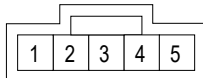
Connector No.	M61
Connector Name	AIR BAG DIAGNOSIS SENSOR UNIT
Connector Type	NH33FGY-EX-LH
Connector Color	GRAY



Terminal No.	Color of Wire	Signal Name
32	BG	INFLATOR DR1+
33	P	INFLATOR DR1- & DR2-
34	L	INFLATOR DR2+
35	R	SIDE SENS LH2-
36	G	SIDE SENS LH2+
37	W	INFLATOR AS2+
38	R	INFLATOR AS2-
39	GR	INFLATOR AS1-
40	LG	INFLATOR AS1+
41	-	-
42	-	-
43	B	GROUND
46	Y	SIDE SENS RH2+
47	BR	SIDE SENS RH2-
48	G	KN LH+
49	V	KN LH-
50	Y	KN RH-
51	BR	KN RH+

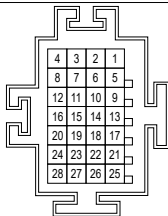
52	BR	IGNITION
54	R	A/B CUT OFF TELLTALE
55	V	ECZS-
56	LG	ECZS+
59	W	SHOCK DET SIG
61	L	CAN-H
62	P	CAN-L
96	Y	CONN LOCK DETECT A
97	Y	CONN LOCK DETECT B

Connector No.	M63
Connector Name	FRONT PASSENGER AIR BAG OFF INDICATOR
Connector Type	JAB05FB
Connector Color	BLACK



Terminal No.	Color of Wire	Signal Name
1	-	-
2	B	GROUND
3	-	-
4	R	A/B CUT OFF TELLTALE
5	-	-

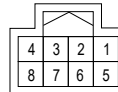
Connector No.	M64*
Connector Name	JOINT CONNECTOR-M09
Connector Type	SGA28FLBR-J
Connector Color	BROWN



Terminal No.	Color of Wire	Signal Name
1	GR	BUS BAR A
2	G	BUS BAR B
3	W	BUS BAR C
4	BR	BUS BAR D
5	GR	BUS BAR A
6	G	BUS BAR B

7	W	BUS BAR C
8	BR	BUS BAR D
9	GR	BUS BAR A
10	G	BUS BAR B
11	W	BUS BAR C
12	BR	BUS BAR D
13	GR	BUS BAR A
14	G	BUS BAR B
15	GR	BUS BAR G
16	G	BUS BAR H
17	L	BUS BAR E
18	W	BUS BAR F
19	GR	BUS BAR G
20	G	BUS BAR H
21	L	BUS BAR E
22	W	BUS BAR F
23	GR	BUS BAR G
24	G	BUS BAR H
25	L	BUS BAR E
26	W	BUS BAR F
27	-	BUS BAR G
28	-	BUS BAR H

Connector No.	M65
Connector Name	IMMEDIATE CHARGING SWITCH
Connector Type	TH08FB-NH
Connector Color	BLACK



Terminal No.	Color of Wire	Signal Name
1	W	TAIL1
2	-	-
3	-	-
4	B	ILL CONT OUT
5	-	-
6	LA/SB	IMMEDIATE CHARGING SWITCH
7	-	-
8	B	GROUND

Connector No.	M66
Connector Name	GLOVE BOX LAMP
Connector Type	A02FW
Connector Color	WHITE



Terminal No.	Color of Wire	Signal Name
1	W	TAIL 1
2	B	GROUND

*: PIN-OUTS MAY BE IN NO SPECIFIC ORDER ON A COMMON BUS BAR IN JOINT CONNECTORS.

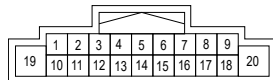
Connector No.	M67
Connector Name	TCU
Connector Type	TH40FB-NH
Connector Color	BLACK



Terminal No.	Color of Wire	Signal Name
1	W	+VBATTERY
2	R	ACCESSORY (WITHOUT BOSE AUDIO SYSTEM)
2	Y	ACCESSORY (WITH BOSE AUDIO SYSTEM)
3	G	ACCESSORY OUT
4	-	-
5	LA/L	LED GREEN
6	SB	CAN-H
7	V	CAN-L
8	-	-
9	-	-
10	G	WAKE UP/IGN
11	-	-
12	L	MIC OUT SIGNAL
13	-	-
14	-	-
15	-	-
16	-	-
17	L	MIC SIGNAL
18	P	MIC VCC
19	-	-
20	-	-
21	-	-
22	-	-
23	-	-
24	-	-
25	-	-
26	SB	M CAN-H
27	LG	M CAN-L
28	B	GROUND
29	B	GROUND
30	-	-
31	G	AUDIO HU OUT+
32	R	AUDIO HU OUT-
33	-	-
34	-	-
35	-	-
36	-	-
37	LA/Y	ECALL SW
38	-	-

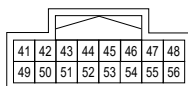
39	-	-
40	-	-

Connector No.	M68
Connector Name	AV CONTROL UNIT (WITHOUT NAVIGATION SYSTEM)
Connector Type	NH18FW-CS2
Connector Color	WHITE



Terminal No.	Color of Wire	Signal Name
1	-	-
2	L	FR SP LH (+)
3	P	FR SP LH (-)
4	V	RR SP LH (+)
5	SB	RR SP LH (-)
6	-	-
7	G	ACCESSORY
8	R	REVERSE
9	B	ILL CONT
10	-	-
11	G	FR SP RH (+)
12	R	FR SP RH (-)
13	BR	RR SP RH (+)
14	P	RR SP RH (-)
15	-	-
16	-	-
17	V	IGNITION
18	-	-
19	BR	BATTERY
20	B	GROUND

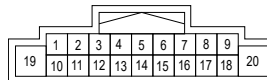
Connector No.	M69
Connector Name	COMBINATION METER
Connector Type	TH16FW-NH
Connector Color	WHITE



Terminal No.	Color of Wire	Signal Name
41	-	-

42	-	-
43	-	-
44	-	-
45	-	-
46	-	-
47	-	-
48	-	-
49	LA/LG	LED H LAMP L
50	LA/Y	LED H LAMP R
51	-	-
52	-	-
53	-	-
54	-	-
55	-	-
56	-	-

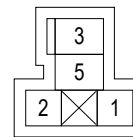
Connector No.	M70
Connector Name	AV CONTROL UNIT (WITH NAVIGATION SYSTEM)
Connector Type	NH18FW-CS2
Connector Color	WHITE



Terminal No.	Color of Wire	Signal Name
1	LA/L	AMP ON
2	Y	FR SP LH (+) (WITH BOSE AUDIO SYSTEM)
2	L	FR SP LH (+) (WITHOUT BOSE AUDIO SYSTEM)
3	P	FR SP LH (-) (WITHOUT BOSE AUDIO SYSTEM)
3	BR	FR SP LH (-) (WITH BOSE AUDIO SYSTEM)
4	P	RR SP LH (+) (WITH BOSE AUDIO SYSTEM)
4	V	RR SP LH (+) (WITHOUT BOSE AUDIO SYSTEM)
5	SB	RR SP LH (-) (WITHOUT BOSE AUDIO SYSTEM)
5	L	RR SP LH (-) (WITH BOSE AUDIO SYSTEM)
6	-	-
7	G	ACCESSORY
8	R	REVERSE
9	B	ILL CONT
10	-	-
11	G	FR SP RH (+)
12	R	FR SP RH (-)
13	BR	RR SP RH (+)

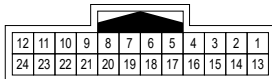
14	P	RR SP RH (-) (WITHOUT BOSE AUDIO SYSTEM)
14	Y	RR SP RH (-) (WITH BOSE AUDIO SYSTEM)
15	-	-
16	-	-
17	V	IGNITION
18	-	-
19	BR	BATTERY
20	B	GROUND

Connector No.	M71
Connector Name	HEATED SEAT RELAY
Connector Type	MS02FL-M2-LC
Connector Color	BLUE



Terminal No.	Color of Wire	Signal Name
1	SB	SEAT HEAT RLY
2	R	BATTERY
3	G	HEATED SEAT RELAY OUTPUT
5	GR	BATTERY

Connector No.	M73
Connector Name	WIRE TO WIRE
Connector Type	TH24MW-NH
Connector Color	WHITE



Terminal No.	Color of Wire	Signal Name
1	P	TO ROOM LAMP HARNESS
2	P	TO ROOM LAMP HARNESS
3	W	TO ROOM LAMP HARNESS
4	W	TO ROOM LAMP HARNESS
5	Y	TO ROOM LAMP HARNESS
6	GR	TO ROOM LAMP HARNESS
7	BR	TO ROOM LAMP HARNESS
8	B	TO ROOM LAMP HARNESS
9	LA/V	TO ROOM LAMP HARNESS
10	SHIELD	TO ROOM LAMP HARNESS
11	L	TO ROOM LAMP HARNESS
12	P	TO ROOM LAMP HARNESS
13	-	TO ROOM LAMP HARNESS
14	-	TO ROOM LAMP HARNESS
15	B	TO ROOM LAMP HARNESS
16	SB	TO ROOM LAMP HARNESS
17	B	TO ROOM LAMP HARNESS
18	LA/Y	TO ROOM LAMP HARNESS
19	LA/L	TO ROOM LAMP HARNESS
20	B	TO ROOM LAMP HARNESS
21	R	TO ROOM LAMP HARNESS
22	GR	TO ROOM LAMP HARNESS
23	P	TO ROOM LAMP HARNESS
24	BR	TO ROOM LAMP HARNESS

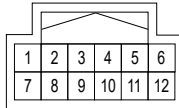
Connector No.	M74
Connector Name	SUNLOAD SENSOR
Connector Type	A02FW
Connector Color	WHITE



Terminal No.	Color of Wire	Signal Name
1	G	TO ENGINE ROOM HARNESS
2	LA/L	TO ENGINE ROOM HARNESS

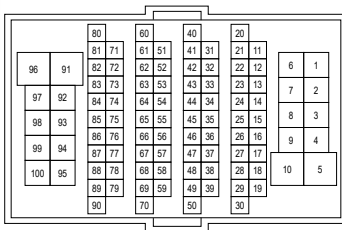
1	P	SUN SENS
2	R	SENS GROUND

Connector No.	M75
Connector Name	LOW TIRE PRESSURE WARNING CONTROL UNIT
Connector Type	TH12FW-NH
Connector Color	WHITE



Terminal No.	Color of Wire	Signal Name
1	G	CAN-L
2	GR	CAN-H
3	LA/V	KEYLESS TUNER, AUTO LIGHT SENSOR GROUND
4	LA/W	KEYLESS TUNER RSSI
5	LA/SB	KEYLESS TUNER SIGNAL
6	LA/BR	TUNER POWER SUPPLY
7	G	IGNITION
8	-	-
9	-	-
10	B	GROUND
11	Y	BATTERY
12	-	-

Connector No.	M77
Connector Name	WIRE TO WIRE
Connector Type	TH80FW-CS16-TM4
Connector Color	WHITE



Terminal No.	Color of Wire	Signal Name
1	G	TO ENGINE ROOM HARNESS
2	LA/L	TO ENGINE ROOM HARNESS

3	LA/P	TO ENGINE ROOM HARNESS
4	LA/G	TO ENGINE ROOM HARNESS
5	-	TO ENGINE ROOM HARNESS
6	LA/P	TO ENGINE ROOM HARNESS
7	LA/Y	TO ENGINE ROOM HARNESS
8	LA/GR	TO ENGINE ROOM HARNESS
9	LA/LG	TO ENGINE ROOM HARNESS
10	L	TO ENGINE ROOM HARNESS
11	-	TO ENGINE ROOM HARNESS
12	-	TO ENGINE ROOM HARNESS
13	-	TO ENGINE ROOM HARNESS
14	-	TO ENGINE ROOM HARNESS
15	-	TO ENGINE ROOM HARNESS
16	-	TO ENGINE ROOM HARNESS
17	-	TO ENGINE ROOM HARNESS
18	-	TO ENGINE ROOM HARNESS
19	-	TO ENGINE ROOM HARNESS
20	-	TO ENGINE ROOM HARNESS
21	-	TO ENGINE ROOM HARNESS
22	-	TO ENGINE ROOM HARNESS
23	-	TO ENGINE ROOM HARNESS
24	-	TO ENGINE ROOM HARNESS
25	-	TO ENGINE ROOM HARNESS
26	-	TO ENGINE ROOM HARNESS
27	-	TO ENGINE ROOM HARNESS
28	-	TO ENGINE ROOM HARNESS
29	-	TO ENGINE ROOM HARNESS
30	-	TO ENGINE ROOM HARNESS
31	BR	TO ENGINE ROOM HARNESS
32	G	TO ENGINE ROOM HARNESS
33	G	TO ENGINE ROOM HARNESS
34	R	TO ENGINE ROOM HARNESS
35	P	TO ENGINE ROOM HARNESS
36	LA/SB	TO ENGINE ROOM HARNESS
37	LA/GR	TO ENGINE ROOM HARNESS
38	LG	TO ENGINE ROOM HARNESS
39	SB	TO ENGINE ROOM HARNESS
40	LA/V	TO ENGINE ROOM HARNESS
41	BR	TO ENGINE ROOM HARNESS
42	L	TO ENGINE ROOM HARNESS
43	GR	TO ENGINE ROOM HARNESS
44	BR	TO ENGINE ROOM HARNESS
45	L	TO ENGINE ROOM HARNESS
46	GR	TO ENGINE ROOM HARNESS
47	LA/BG	TO ENGINE ROOM HARNESS
48	LA/P	TO ENGINE ROOM HARNESS
49	LA/R	TO ENGINE ROOM HARNESS
50	Y	TO ENGINE ROOM HARNESS
51	LA/SB	TO ENGINE ROOM HARNESS
52	LA/Y	TO ENGINE ROOM HARNESS
53	R	TO ENGINE ROOM HARNESS
54	B	TO ENGINE ROOM HARNESS
55	P	TO ENGINE ROOM HARNESS
56	Y	TO ENGINE ROOM HARNESS
57	W	TO ENGINE ROOM HARNESS

58	LA/L	TO ENGINE ROOM HARNESS
59	R	TO ENGINE ROOM HARNESS
60	LA/BR	TO ENGINE ROOM HARNESS
61	LA/BG	TO ENGINE ROOM HARNESS
62	BG	TO ENGINE ROOM HARNESS
63	W	TO ENGINE ROOM HARNESS
64	SHIELD	TO ENGINE ROOM HARNESS
65	BR	TO ENGINE ROOM HARNESS
66	L	TO ENGINE ROOM HARNESS
67	R	TO ENGINE ROOM HARNESS
68	LA/G	TO ENGINE ROOM HARNESS
69	LA/GR	TO ENGINE ROOM HARNESS
70	Y	TO ENGINE ROOM HARNESS
71	G	TO ENGINE ROOM HARNESS
72	LG	TO ENGINE ROOM HARNESS
73	LA/Y	TO ENGINE ROOM HARNESS
74	B	TO ENGINE ROOM HARNESS
75	LA/R	TO ENGINE ROOM HARNESS
76	LA/L	TO ENGINE ROOM HARNESS
77	-	TO ENGINE ROOM HARNESS
78	-	TO ENGINE ROOM HARNESS
79	G	TO ENGINE ROOM HARNESS
80	LA/L	TO ENGINE ROOM HARNESS
81	LA/W	TO ENGINE ROOM HARNESS
82	LA/LG	TO ENGINE ROOM HARNESS
83	G	TO ENGINE ROOM HARNESS
84	-	TO ENGINE ROOM HARNESS
85	LA/GR	TO ENGINE ROOM HARNESS
86	LA/G	TO ENGINE ROOM HARNESS
87	-	TO ENGINE ROOM HARNESS
88	LG	TO ENGINE ROOM HARNESS
89	V	TO ENGINE ROOM HARNESS
90	SHIELD	TO ENGINE ROOM HARNESS
91	Y	TO ENGINE ROOM HARNESS
92	Y	TO ENGINE ROOM HARNESS
93	G	TO ENGINE ROOM HARNESS
94	LG	TO ENGINE ROOM HARNESS
95	L	TO ENGINE ROOM HARNESS
96	P	TO ENGINE ROOM HARNESS
97	BR	TO ENGINE ROOM HARNESS
98	-	TO ENGINE ROOM HARNESS
99	W	TO ENGINE ROOM HARNESS
100	R	TO ENGINE ROOM HARNESS

Connector No.	M78
Connector Name	WIRE TO WIRE
Connector Type	L02MB-MC
Connector Color	BLACK



Terminal No.	Color of Wire	Signal Name
1	R	TO ENGINE ROOM HARNESS
2	W	TO ENGINE ROOM HARNESS

Connector No.	M80
Connector Name	COMBINATION SWITCH (SPIRAL CABLE)
Connector Type	NS02FW-CS
Connector Color	WHITE



Terminal No.	Color of Wire	Signal Name
1	BR	HEATED STEERING WHEEL RELAY OUT
2	B	GROUND

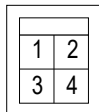
Connector No.	M81
Connector Name	WIRE TO WIRE
Connector Type	TH40FW-NH
Connector Color	WHITE



Terminal No.	Color of Wire	Signal Name
1	-	TO BODY HARNESS
2	-	TO BODY HARNESS
3	-	TO BODY HARNESS

4	-	TO BODY HARNESS
5	-	TO BODY HARNESS
6	-	TO BODY HARNESS
7	-	TO BODY HARNESS
8	-	TO BODY HARNESS
9	-	TO BODY HARNESS
10	-	TO BODY HARNESS
11	-	TO BODY HARNESS
12	P	TO BODY HARNESS
13	SHIELD	TO BODY HARNESS
14	BR	TO BODY HARNESS
15	R	TO BODY HARNESS
16	SHIELD	TO BODY HARNESS
17	Y	TO BODY HARNESS
18	G	TO BODY HARNESS
19	SHIELD	TO BODY HARNESS
20	Y	TO BODY HARNESS
21	-	TO BODY HARNESS
22	-	TO BODY HARNESS
23	-	TO BODY HARNESS
24	-	TO BODY HARNESS
25	-	TO BODY HARNESS
26	-	TO BODY HARNESS
27	-	TO BODY HARNESS
28	-	TO BODY HARNESS
29	-	TO BODY HARNESS
30	-	TO BODY HARNESS
31	LA/L	TO BODY HARNESS
32	L	TO BODY HARNESS
33	SHIELD	TO BODY HARNESS
34	Y	TO BODY HARNESS
35	G	TO BODY HARNESS
36	SHIELD	TO BODY HARNESS
37	BR	TO BODY HARNESS
38	R	TO BODY HARNESS
39	SHIELD	TO BODY HARNESS
40	BR	TO BODY HARNESS

Connector No.	M82
Connector Name	WIRE TO WIRE
Connector Type	M04FW-LC
Connector Color	WHITE



Terminal No.	Color of Wire	Signal Name
1	B	TO HVAC SUB-HARNESS
2	GR	TO HVAC SUB-HARNESS

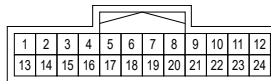
3	Y	TO HVAC SUB-HARNESS
4	G	TO HVAC SUB-HARNESS

Connector No.	M86
Connector Name	INSIDE KEY ANTENNA (INSTRUMENT CENTER)
Connector Type	RK02FL
Connector Color	BLUE



Terminal No.	Color of Wire	Signal Name
1	BR	ROOM ANTENNA 1 +
2	Y	ROOM ANTENNA 1 -

Connector No.	M87
Connector Name	WIRE TO WIRE
Connector Type	TH24FW-NH
Connector Color	WHITE



Terminal No.	Color of Wire	Signal Name
1	LA/V	TO HVAC SUB-HARNESS
2	G	TO HVAC SUB-HARNESS
3	LA/BG	TO HVAC SUB-HARNESS
4	LA/P	TO HVAC SUB-HARNESS
5	LA/R	TO HVAC SUB-HARNESS
6	LA/Y	TO HVAC SUB-HARNESS
7	LA/B	TO HVAC SUB-HARNESS
8	LA/W	TO HVAC SUB-HARNESS
9	LA/B	TO HVAC SUB-HARNESS
10	-	TO HVAC SUB-HARNESS
11	LA/V	TO HVAC SUB-HARNESS
12	B	TO HVAC SUB-HARNESS
13	LA/L	TO HVAC SUB-HARNESS
14	G	TO HVAC SUB-HARNESS
15	LA/LG	TO HVAC SUB-HARNESS
16	LA/GR	TO HVAC SUB-HARNESS
17	LA/BR	TO HVAC SUB-HARNESS
18	-	TO HVAC SUB-HARNESS
19	LA/G	TO HVAC SUB-HARNESS

20	LA/B	TO HVAC SUB-HARNESS
21	-	TO HVAC SUB-HARNESS
22	LA/GR	TO HVAC SUB-HARNESS
23	LA/P	TO HVAC SUB-HARNESS
24	LA/SB	TO HVAC SUB-HARNESS

Connector No.	M88
Connector Name	DIODE-1
Connector Type	24335 C9900
Connector Color	WHITE



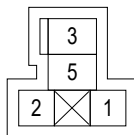
Terminal No.	Color of Wire	Signal Name
1	B	ILL CONT OUT
2	R	LOW SIDE ENGINE START SW ILLUMINATION LED OUTPUT

Connector No.	M89
Connector Name	WIRE TO WIRE
Connector Type	M02FW-LC
Connector Color	WHITE



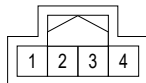
Terminal No.	Color of Wire	Signal Name
1	L	TO BODY HARNESS
2	-	TO BODY HARNESS

Connector No.	M90
Connector Name	REAR HEATED SEAT RELAY
Connector Type	MS02FL-M2-LC
Connector Color	BLUE



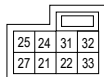
Terminal No.	Color of Wire	Signal Name
1	B	GROUND
2	G	HEATED SEAT RELAY OUTPUT
3	SB	REAR HEATED SEAT RELAY OUTPUT
5	R	BATTERY

Connector No.	M91
Connector Name	DONGLE UNIT
Connector Type	TH04FW-NH
Connector Color	WHITE



Terminal No.	Color of Wire	Signal Name
1	SB	AUDIO/DONGLE LINK (SERIAL)
2	-	-
3	-	-
4	B	GROUND

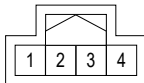
Connector No.	M92
Connector Name	COMBINATION SWITCH (SPIRAL CABLE)
Connector Type	TK08FGY-1V
Connector Color	GRAY



Terminal No.	Color of Wire	Signal Name
21	SB	CAN-H
22	SB	M CAN-H
23	SB	M CAN-H
24	-	-
25	-	-
26	-	-
27	-	-
28	G	CAMERA V+
29	L	CAMERA GROUND
30	-	-

21	-	-
22	R	MOTOR +
24	V	STRG SW A
25	LG	ASCD STEERING SWITCH
27	B	MOTOR -
31	G	STRG SW B
32	SB	ASCD STEERING SWITCH GROUND
33	B	STRG SW GROUND

Connector No.	M93
Connector Name	CHARGE PORT LID OPENER SWITCH
Connector Type	TH04FGY-NH
Connector Color	GRAY



Terminal No.	Color of Wire	Signal Name
1	P	TAIL1
2	BR	CHARGE PORT LID OPENER SWITCH
3	B	GROUND
4	B	ILL CONT OUT

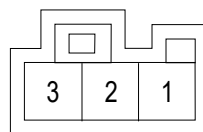
Connector No.	M94
Connector Name	AV CONTROL UNIT (WITHOUT NAVIGATION SYSTEM)
Connector Type	TH40FW-NH
Connector Color	WHITE



Terminal No.	Color of Wire	Signal Name
21	SB	CAN-H
22	SB	M CAN-H
23	SB	M CAN-H
24	-	-
25	-	-
26	-	-
27	-	-
28	G	CAMERA V+
29	L	CAMERA GROUND
30	-	-

31	-	-
32	-	-
33	-	-
34	-	-
35	-	-
36	-	-
37	-	-
38	-	-
39	P	MIC VCC
40	L	MIC SIG
41	V	CAN-L
42	LG	M CAN-L
43	LG	M CAN-L
44	-	-
45	-	-
46	-	-
47	-	-
48	SHIELD	CAMERA SHIELD
49	Y	CAMERA COMP+
50	-	-
51	LA/V	MIC MODE CHANGE
52	-	-
53	-	-
54	-	-
55	-	-
56	-	-
57	-	-
58	W	ILL
59	SHIELD	MIC GROUND
60	-	-

Connector No.	M97
Connector Name	CAN TERMINATOR (IT CAN COMMUNICATION)
Connector Type	YZK 7187 1616
Connector Color	BLACK



Terminal No.	Color of Wire	Signal Name
1	B	GROUND
2	V	CAN-L
3	SB	CAN-H

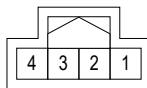
Connector No.	M98
Connector Name	AV CONTROL UNIT (WITH NAVIGATION SYSTEM)
Connector Type	TH40FW-NH
Connector Color	WHITE



21	22	23	24	25	26	27	28	29	30	31	32	33	34	35	36	37	38	39	40
41	42	43	44	45	46	47	48	49	50	51	52	53	54	55	56	57	58	59	60

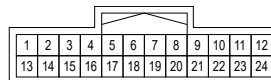
56	-	-
57	-	-
58	W	ILL
59	SHIELD	MIC 2 GROUND
60	-	-

Connector No.	M99
Connector Name	WIRE TO WIRE
Connector Type	TH04FW-NH
Connector Color	WHITE



Terminal No.	Color of Wire	Signal Name
1	LA/BG	TO MAIN SUB-HARNESS
2	LA/P	TO MAIN SUB-HARNESS
3	LA/R	TO MAIN SUB-HARNESS
4	LG	TO MAIN SUB-HARNESS

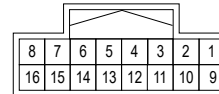
Connector No.	M101
Connector Name	6CH CAN GATEWAY
Connector Type	TH24FW-NH
Connector Color	WHITE



Terminal No.	Color of Wire	Signal Name
1	L	VEHICLE CAN COMMUNICATION CIRCUIT-H
2	BR	ADAS CAN COMMUNICATION-H
3	W	BATTERY
4	SB	IT CAN COMMUNICATION CIRCUIT-H
5	B	GROUND
6	GR	CHASSIS CAN COMMUNICATION CIRCUIT-H
7	BR	ITS CAN COMMUNICATION CIRCUIT 2-H
8	L	DIAGNOSTIC CAN COMMUNICATION CIRCUIT-H
9	GR	CHASSIS CAN COMMUNICATION CIRCUIT-H
10	BR	ADAS CAN COMMUNICATION-H

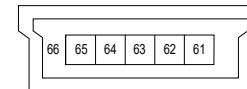
11	L	DIAGNOSTIC CAN COMMUNICATION CIRCUIT-H
12	L	-
13	P	VEHICLE CAN COMMUNICATION CIRCUIT-L
14	W	ADAS CAN COMMUNICATION-L
15	G	IGNITION
16	V	IT CAN COMMUNICATION CIRCUIT-L
17	B	GROUND
18	G	CHASSIS CAN COMMUNICATION CIRCUIT-L
19	R	ITS CAN COMMUNICATION CIRCUIT 2-L
20	W	DIAGNOSTIC CAN COMMUNICATION CIRCUIT-L
21	G	CHASSIS CAN COMMUNICATION CIRCUIT-L
22	W	ADAS CAN COMMUNICATION-L
23	W	DIAGNOSTIC CAN COMMUNICATION CIRCUIT-L
24	G	-

Connector No.	M102
Connector Name	HEAT PUMP CONTROL UNIT
Connector Type	TH16FW-NH
Connector Color	WHITE



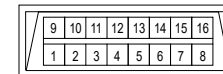
Terminal No.	Color of Wire	Signal Name
1	LA/BR	HP LIN
2	LA/V	TD SENS
3	-	-
4	-	-
5	-	-
6	LA/LG	2WAY VALVE
7	LA/W	3WAY VALVE
8	B	SENS GROUND
9	LA/G	BATTERY
10	-	-
11	LA/Y	TS SENS
12	-	-
13	-	-
14	-	-
15	-	-
16	B	GROUND

Connector No.	M104
Connector Name	AV CONTROL UNIT
Connector Type	USCAR30-MA-M
Connector Color	BLACK



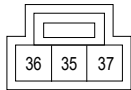
Terminal No.	Color of Wire	Signal Name
61	B	GROUND
62	-	-
63	G	D+
64	W	D-
65	R	VBUS
66	SHIELD	SHIELD

Connector No.	M105
Connector Name	DATA LINK CONNECTOR
Connector Type	BD16FW
Connector Color	WHITE



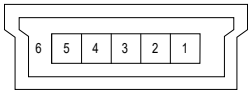
Terminal No.	Color of Wire	Signal Name
1	-	-
2	-	-
3	-	-
4	B	GROUND
5	B	GROUND
6	L	CAN-H
7	GR	K LINE
8	G	IGNITION
9	-	-
10	-	-
11	-	-
12	-	-
13	-	-
14	W	CAN-L
15	-	-
16	Y	BATTERY

Connector No.	M106
Connector Name	COMBINATION SWITCH (SPIRAL CABLE)
Connector Type	TK03FW
Connector Color	WHITE



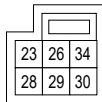
Terminal No.	Color of Wire	Signal Name
35	-	-
36	R	MOTOR +
37	B	MOTOR -

Connector No.	M107
Connector Name	FRONT AUXILIARY INPUT JACKS
Connector Type	111014-9011
Connector Color	GREEN



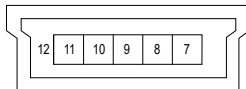
Terminal No.	Color of Wire	Signal Name
1	B	GROUND
2	-	-
3	G	D+
4	W	D-
5	R	VBUS
6	SHIELD	SHIELD

Connector No.	M108
Connector Name	COMBINATION SWITCH (SPIRAL CABLE)
Connector Type	TK06FY-EX-1V
Connector Color	YELLOW



Terminal No.	Color of Wire	Signal Name
23	R	TAIL 1
26	B	ILL CONT OUT
28	BG	INFLATOR DR1+
29	L	INFLATOR DR2+
30	P	INFLATOR DR1- & DR2-
34	G	HORN RELAY CONTROL

Connector No.	M110
Connector Name	FRONT AUXILIARY INPUT JACKS
Connector Type	111014-9001
Connector Color	GRAY



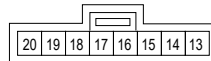
Terminal No.	Color of Wire	Signal Name
7	B	GROUND
8	-	-
9	G	D+
10	W	D-
11	R	VBUS
12	SHIELD	SHIELD

Connector No.	M111
Connector Name	HEATED STEERING WHEEL
Connector Type	NS02FW-CS
Connector Color	WHITE



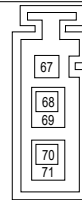
Terminal No.	Color of Wire	Signal Name
1	BR	HEATED STEERING WHEEL RELAY OUT
2	B	GROUND

Connector No.	M112
Connector Name	COMBINATION SWITCH (SPIRAL CABLE)
Connector Type	TK08FGY-X
Connector Color	GRAY



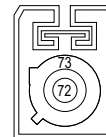
Terminal No.	Color of Wire	Signal Name
13	V	ASCD STEERING SWITCH
14	P	STRG SW A
15	L	STRG SW B
16	GR	ASCD STEERING SWITCH GROUND
17	G	STRG SW GROUND
18	BR	HORN SW
19	Y	TAIL 1
20	R	ILL CONT OUT

Connector No.	M113
Connector Name	AV CONTROL UNIT (WITH NAVIGATION SYSTEM)
Connector Type	GT13SH-2/1S-HU
Connector Color	GRAY



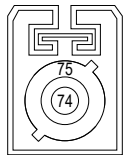
Terminal No.	Color of Wire	Signal Name
67	B	ANTENNA AMP. ON SIGNAL
68	B	RADIO ANTENNA SIGNAL
69	SHIELD	SHIELD
70	-	-
71	-	-

Connector No.	M114
Connector Name	AV CONTROL UNIT (WITH NAVIGATION SYSTEM)
Connector Type	FAKRA CODING C
Connector Color	PINK



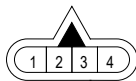
Terminal No.	Color of Wire	Signal Name
72	B	SATELLITE ANTENNA
73	SHIELD	SHIELD

Connector No.	M115
Connector Name	AV CONTROL UNIT (WITH NAVIGATION SYSTEM)
Connector Type	FAKRA CODING C
Connector Color	BLUE



Terminal No.	Color of Wire	Signal Name
74	B	GPS ANTENNA SIGNAL
75	SHIELD	SHIELD

Connector No.	M117
Connector Name	WIRE TO WIRE
Connector Type	RK04MY-BD
Connector Color	YELLOW



Terminal No.	Color of Wire	Signal Name
1	L	TO MAIN HARNESS
2	L	TO MAIN HARNESS
3	Y	TO MAIN HARNESS
4	Y	TO MAIN HARNESS

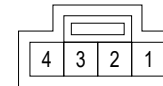
4	Y	INFLATOR AS2-
---	---	---------------

Connector No.	M121
Connector Name	TWEETER LH
Connector Type	TK02FBR
Connector Color	BROWN



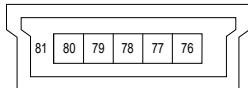
Terminal No.	Color of Wire	Signal Name
1	W	FR LH SP+
2	P	FR LH SP-

Connector No.	M138
Connector Name	PTC HEATER OUTLET AIR TEMPERATURE SENSOR AND A/C UNIT CASE TEMPERATURE SENSOR ASSEMBLY
Connector Type	TK04FW
Connector Color	WHITE



Terminal No.	Color of Wire	Signal Name
1	O/W	SENS GROUND
2	L/W	PTC TEMP SENS 1
3	Y/R	SENS GROUND
4	G/R	PTC TEMP SENS 2

Connector No.	M116
Connector Name	AV CONTROL UNIT (WITH NAVIGATION SYSTEM)
Connector Type	USCAR30-MA-M
Connector Color	BROWN



Terminal No.	Color of Wire	Signal Name
76	B	GROUND
77	-	-
78	G	D+
79	W	D-
80	R	VBUS
81	SHIELD	SHIELD

Connector No.	M118
Connector Name	FRONT PASSENGER AIR BAG MODULE
Connector Type	JCA02FB-X
Connector Color	BLACK



Terminal No.	Color of Wire	Signal Name
1	L	INFLATOR AS1+
2	L	INFLATOR AS1-

Connector No.	M137
Connector Name	COMPRESSOR DISCHARGE REFRIGERANT TEMPERATURE SENSOR
Connector Type	RH02FGY
Connector Color	GRAY



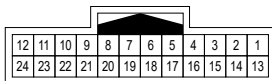
Terminal No.	Color of Wire	Signal Name
1	BR/Y	TD SENS
2	W/L	SENS GROUND

Connector No.	M119
Connector Name	FRONT PASSENGER AIR BAG MODULE
Connector Type	JCA02FOR-X
Connector Color	ORANGE



Terminal No.	Color of Wire	Signal Name
3	Y	INFLATOR AS2+

Connector No.	M140
Connector Name	WIRE TO WIRE
Connector Type	TH24MW-NH
Connector Color	WHITE



Terminal No.	Color of Wire	Signal Name
1	V	TO MAIN HARNESS
2	B	TO MAIN HARNESS
3	Y	TO MAIN HARNESS
4	W	TO MAIN HARNESS
5	O	TO MAIN HARNESS
6	G/R	TO MAIN HARNESS
7	Y/R	TO MAIN HARNESS
8	L/W	TO MAIN HARNESS
9	O/W	TO MAIN HARNESS
10	-	TO MAIN HARNESS
11	BR/Y	TO MAIN HARNESS
12	W/L	TO MAIN HARNESS
13	L	TO MAIN HARNESS
14	B/W	TO MAIN HARNESS
15	BR	TO MAIN HARNESS
16	G	TO MAIN HARNESS
17	R	TO MAIN HARNESS
18	-	TO MAIN HARNESS
19	R/G	TO MAIN HARNESS
20	Y/G	TO MAIN HARNESS
21	-	TO MAIN HARNESS
22	W/B	TO MAIN HARNESS
23	R/B	TO MAIN HARNESS
24	L/B	TO MAIN HARNESS

Connector No.	M141
Connector Name	INTAKE SENSOR
Connector Type	TK02FBR
Connector Color	BROWN



Terminal No.	Color of Wire	Signal Name
1		
2		

1	R/G	INTAKE SENS
2	Y/G	SENS GROUND

Connector No.	M142
Connector Name	MODE DOOR MOTOR
Connector Type	MAA06FB
Connector Color	BLACK



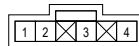
Terminal No.	Color of Wire	Signal Name
1	V	MODE1
2	Y	MODE2
3	-	-
4	B	A/C RELAY OUTPUT
5	W	MODE3
6	O	MODE4

Connector No.	M143
Connector Name	WIRE TO WIRE
Connector Type	M04MW
Connector Color	WHITE



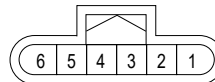
Terminal No.	Color of Wire	Signal Name
1	V	TO MAIN HARNESS
2	Y	TO MAIN HARNESS
3	B/W	TO MAIN HARNESS
4	B/W	TO MAIN HARNESS

Connector No.	M144
Connector Name	POWER TRANSISTOR
Connector Type	MAA06FB
Connector Color	BLACK



Terminal No.	Color of Wire	Signal Name
1	L	BLR PWM
2	Y	BLR PWM
3	B/W	BATTERY
4	V	GROUND

Connector No.	M145
Connector Name	PTC HEATER
Connector Type	RH06FB
Connector Color	BLACK



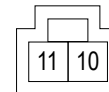
Terminal No.	Color of Wire	Signal Name
1	W/B	A/C RELAY OUTPUT
2	-	-
3	R/B	GROUND
4	L/B	LIN
5	-	-
6	-	-

Connector No.	M146
Connector Name	AIR MIX DOOR MOTOR
Connector Type	MAA06FB
Connector Color	BLACK



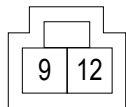
Terminal No.	Color of Wire	Signal Name
1	L	MIX1
2	BR	MIX2
3	-	-
4	B/W	A/C RELAY OUTPUT
5	GR	MIX3
6	R	MIX6

Connector No.	M147
Connector Name	DRIVER AIR BAG MODULE
Connector Type	ACA02FY-2V
Connector Color	YELLOW



Terminal No.	Color of Wire	Signal Name
10	Y	INFLATOR DR1+
11	R	INFLATOR DR1- & DR2-

Connector No.	M148
Connector Name	DRIVER AIR BAG MODULE
Connector Type	ACA02FOR
Connector Color	ORANGE



Terminal No.	Color of Wire	Signal Name
9	L	INFLATOR DR1- & DR2-
12	G	INFLATOR DR2+

Connector No.	M150
Connector Name	WIRE TO WIRE
Connector Type	GT13SC-1/1S-HU
Connector Color	GRAY



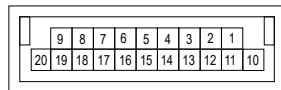
Terminal No.	Color of Wire	Signal Name
1	B	TO ROOF ANTENNA HARNESS
2	B	TO ROOF ANTENNA HARNESS
3	SHIELD	TO ROOF ANTENNA HARNESS

Connector No.	M151
Connector Name	WIRE TO WIRE
Connector Type	GT16C-1PP-HU (B)
Connector Color	BROWN



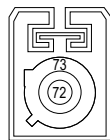
Terminal No.	Color of Wire	Signal Name
1	B	TO ROOF ANTENNA HARNESS
2	SHIELD	TO ROOF ANTENNA HARNESS

Connector No.	M153*
Connector Name	JOINT CONNECTOR-M08
Connector Type	NH20FL-DC
Connector Color	BLUE



Terminal No.	Color of Wire	Signal Name
1	W	BUS BAR A
2	LA/W	BUS BAR A
3	R	BUS BAR A
4	R	BUS BAR A
5	W	BUS BAR A
6	P	BUS BAR A
7	R	BUS BAR A
8	R	BUS BAR A
9	SB	BUS BAR A
10	L	BUS BAR B
11	L	BUS BAR B
12	-	BUS BAR B
13	GR	BUS BAR B
14	G	BUS BAR B
15	G	BUS BAR B
16	LA/G	BUS BAR B
17	-	BUS BAR B
18	L	BUS BAR C
19	LA/L	BUS BAR C
20	G	BUS BAR C (WITHOUT TELEMATICS)
20	Y	BUS BAR C (WITH TELEMATICS SYSTEM)

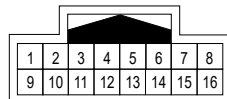
Connector No.	M156
Connector Name	AV CONTROL UNIT (WITHOUT NAVIGATION SYSTEM)
Connector Type	FAKRA CODING H
Connector Color	PINK



Terminal No.	Color of Wire	Signal Name
72	B	ANT IN

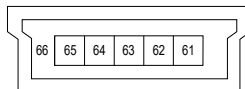
73	SHIELD	ANT GROUND
----	--------	------------

Connector No.	M157
Connector Name	WIRE TO WIRE
Connector Type	TH16MW-NH
Connector Color	WHITE



Terminal No.	Color of Wire	Signal Name
1	G	TO ENGINE ROOM HARNESS
2	W	TO ENGINE ROOM HARNESS
3	G	TO ENGINE ROOM HARNESS
4	W	TO ENGINE ROOM HARNESS
5	G	TO ENGINE ROOM HARNESS
6	W	TO ENGINE ROOM HARNESS
7	L	TO ENGINE ROOM HARNESS
8	LG	TO ENGINE ROOM HARNESS
9	B	TO ENGINE ROOM HARNESS
10	R	TO ENGINE ROOM HARNESS
11	B	TO ENGINE ROOM HARNESS
12	R	TO ENGINE ROOM HARNESS
13	B	TO ENGINE ROOM HARNESS
14	R	TO ENGINE ROOM HARNESS
15	Y	TO ENGINE ROOM HARNESS
16	GR	TO ENGINE ROOM HARNESS

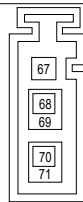
Connector No.	M158
Connector Name	AV CONTROL UNIT (WITHOUT NAVIGATION SYSTEM)
Connector Type	USCAR30-MA-M
Connector Color	BLACK



Terminal No.	Color of Wire	Signal Name
61	B	GROUND
62	-	-
63	G	D+
64	W	D-
65	R	VBUS

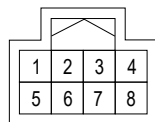
66	SHIELD	SHIELD
----	--------	--------

Connector No.	M159
Connector Name	AV CONTROL UNIT (WITHOUT NAVIGATION SYSTEM)
Connector Type	GT13SH-2/1S-HU
Connector Color	GRAY



Terminal No.	Color of Wire	Signal Name
67	B	ANTENNA BATTERY
68	B	ANT MAIN
69	SHIELD	SHIELD
70	-	-
71	-	-

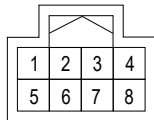
Connector No.	M160
Connector Name	E-PEDAL SWITCH
Connector Type	TH08FB-NH
Connector Color	BLACK



Terminal No.	Color of Wire	Signal Name
1	B	GROUND
2	-	-
3	-	-
4	-	-
5	-	-
6	GR	E-PEDAL SWITCH
7	P	ILL +
8	B	ILL -

*: PIN-OUTS MAY BE IN NO SPECIFIC ORDER ON A COMMON BUS BAR IN JOINT CONNECTORS.

Connector No.	M161
Connector Name	ECO MODE SWITCH
Connector Type	TH08FG-NH
Connector Color	GREEN



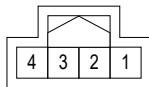
Terminal No.	Color of Wire	Signal Name
1	B	ILL -
2	-	-
3	-	-
4	R	ILL +
5	B	GROUND
6	-	-
7	R	ECO MODE SWITCH
8	-	-

Connector No.	M162
Connector Name	WIRE TO WIRE
Connector Type	RH02FB
Connector Color	BLACK



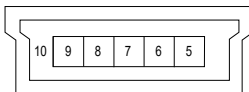
Terminal No.	Color of Wire	Signal Name
1	B	TO MAIN SUB-HARNESS
2	L	TO MAIN SUB-HARNESS

Connector No.	M163
Connector Name	FRONT AUXILIARY INPUT JACKS CONTROL UNIT
Connector Type	TH04FW-NH
Connector Color	WHITE



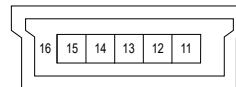
Terminal No.	Color of Wire	Signal Name
1	SB	BATTERY
2	-	-
3	-	-
4	B	GROUND

Connector No.	M164
Connector Name	FRONT AUXILIARY INPUT JACKS CONTROL UNIT
Connector Type	111014-9011
Connector Color	GREEN



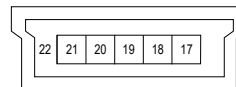
Terminal No.	Color of Wire	Signal Name
5	B	GROUND
6	-	-
7	G	D+
8	W	D-
9	R	VBUS
10	SHIELD	SHIELD

Connector No.	M165
Connector Name	FRONT AUXILIARY INPUT JACKS CONTROL UNIT
Connector Type	111014-9001
Connector Color	GRAY



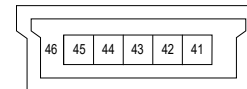
Terminal No.	Color of Wire	Signal Name
11	B	GROUND
12	-	-
13	G	D+
14	W	D-
15	R	VBUS
16	SHIELD	SHIELD

Connector No.	M166
Connector Name	FRONT AUXILIARY INPUT JACKS CONTROL UNIT
Connector Type	111014-9000
Connector Color	BLACK



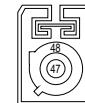
Terminal No.	Color of Wire	Signal Name
17	B	GROUND
18	-	-
19	G	D+
20	W	D-
21	R	VBUS
22	SHIELD	SHIELD

Connector No.	M173
Connector Name	TCU
Connector Type	USCAR30-MD-M
Connector Color	BROWN



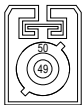
Terminal No.	Color of Wire	Signal Name
41	B	GROUND
42	-	-
43	G	D+
44	W	D-
45	R	VBUS
46	SHIELD	SHIELD

Connector No.	M174
Connector Name	TCU
Connector Type	FAKRA CODE H 4003
Connector Color	PINK



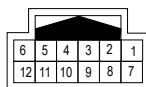
Terminal No.	Color of Wire	Signal Name
47	B	GSM ANT
48	SHIELD	GSM SHIELD

Connector No.	M175
Connector Name	TCU
Connector Type	3FA1ANCJ-C02W0
Connector Color	BLUE



1	-	-
2	-	-
3	-	-
4	BR	ROOM LAMP
5	P	BATTERY SAVER
6	-	-
7	-	-
8	-	-
9	-	-
10	-	-
11	-	-
12	-	-

Connector No.	M182
Connector Name	ACCESSORY PRE-WIRE RH
Connector Type	TH12MW-NH
Connector Color	WHITE



Terminal No.	Color of Wire	Signal Name
1	-	-
2	-	-
3	-	-
4	BR	ROOM LAMP
5	P	BATTERY SAVER
6	-	-
7	-	-
8	-	-
9	-	-
10	-	-
11	L	ACCESSORY
12	B	GROUND

Connector No.	M183
Connector Name	RIGHT KNEE AIR BAG MODULE
Connector Type	DCA02FB-US
Connector Color	BLACK



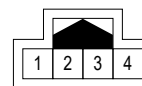
Terminal No.	Color of Wire	Signal Name
1	BR	KN RH+
2	Y	KN RH-

Connector No.	M184
Connector Name	LEFT KNEE AIR BAG MODULE
Connector Type	DCA02FB-US
Connector Color	BLACK



Terminal No.	Color of Wire	Signal Name
1	G	KN LH+
2	V	KN LH-

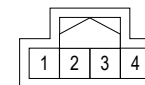
Connector No.	M200
Connector Name	WIRE TO WIRE
Connector Type	TH04MW-NH
Connector Color	WHITE



Terminal No.	Color of Wire	Signal Name
1	V	TO MAIN HARNESS
2	P	TO MAIN HARNESS
3	SB	TO MAIN HARNESS

4	L	TO MAIN HARNESS
---	---	-----------------

Connector No.	M201
Connector Name	CHARGING STATUS INDICATOR
Connector Type	TH04FW-NH
Connector Color	WHITE



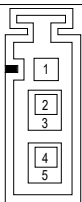
Terminal No.	Color of Wire	Signal Name
1	V	CHARGING STATUS INDICATOR 1
2	P	CHARGING STATUS INDICATOR 2
3	SB	CHARGING STATUS INDICATOR 3
4	L	BATTERY

Connector No.	M250
Connector Name	WIRE TO WIRE
Connector Type	RH02MB
Connector Color	BLACK



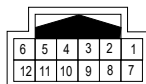
Terminal No.	Color of Wire	Signal Name
1	B	TO MAIN HARNESS
2	L	TO MAIN HARNESS

Connector No.	M176
Connector Name	TELEMATICS ANTENNA
Connector Type	GT13SCN-2/1PP-HU
Connector Color	GRAY



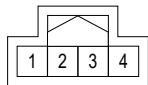
Terminal No.	Color of Wire	Signal Name
1	-	-
2	B	GSM ANT
3	SHIELD	GSM SHIELD
4	B	GPS ANT
5	SHIELD	GPS SHIELD

Connector No.	M181
Connector Name	ACCESSORY PRE-WIRE LH
Connector Type	TH12MW-NH
Connector Color	WHITE



Terminal No.	Color of Wire	Signal Name
--------------	---------------	-------------

Connector No.	M251
Connector Name	REAR USB CHARGE PORT
Connector Type	TH04FW-NH
Connector Color	WHITE



Terminal No.	Color of Wire	Signal Name
1	L	-
2	-	-
3	-	-
4	B	-

Connector No.	M521
Connector Name	WIRE TO WIRE
Connector Type	TK02FBR
Connector Color	BROWN



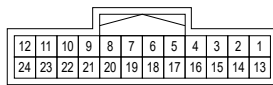
Terminal No.	Color of Wire	Signal Name
1	R	TO MAIN HARNESS
2	B	TO MAIN HARNESS

Connector No.	M525
Connector Name	TWEETER RH
Connector Type	TK02FBR
Connector Color	BROWN



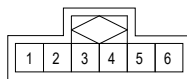
Terminal No.	Color of Wire	Signal Name
1	R	FR RH SP+
2	B	FR RH SP-

Connector No.	R1
Connector Name	WIRE TO WIRE
Connector Type	TH24FW-NH
Connector Color	WHITE



Terminal No.	Color of Wire	Signal Name
1	-	TO MAIN HARNESS
2	R	TO MAIN HARNESS
3	G	TO MAIN HARNESS
4	B/R	TO MAIN HARNESS
5	Y	TO MAIN HARNESS
6	Y	TO MAIN HARNESS
7	BR	TO MAIN HARNESS
8	B	TO MAIN HARNESS
9	B	TO MAIN HARNESS
10	SHIELD	TO MAIN HARNESS
11	L	TO MAIN HARNESS
12	P	TO MAIN HARNESS
13	-	TO MAIN HARNESS
14	-	TO MAIN HARNESS
15	Y	TO MAIN HARNESS
16	L	TO MAIN HARNESS
17	V	TO MAIN HARNESS
18	LG	TO MAIN HARNESS
19	BR	TO MAIN HARNESS
20	B	TO MAIN HARNESS
21	R	TO MAIN HARNESS
22	BG	TO MAIN HARNESS
23	Y	TO MAIN HARNESS
24	L	TO MAIN HARNESS

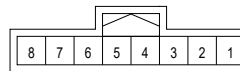
Connector No.	R3
Connector Name	MICROPHONE
Connector Type	A06FW
Connector Color	WHITE



Terminal No.	Color of Wire	Signal Name
--------------	---------------	-------------

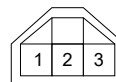
1	L	MIC SIG
2	SHIELD	MIC GROUND
3	-	-
4	P	MIC VCC
5	B	HF/VR MODE-CHG
6	-	-

Connector No.	R4
Connector Name	MAP LAMP
Connector Type	TH08FW-1V-NH
Connector Color	WHITE



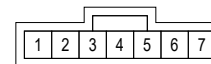
Terminal No.	Color of Wire	Signal Name
1	V	LED+
2	G	LED-
3	B	GROUND
4	-	-
5	-	-
6	R	DOOR SIG
7	-	-
8	Y	BATTERY

Connector No.	R5
Connector Name	ROOM LAMP
Connector Type	TB03FW-LC
Connector Color	WHITE



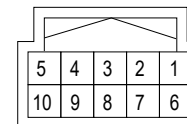
Terminal No.	Color of Wire	Signal Name
1	R	DOOR
2	Y	BATTERY
3	B	GROUND

Connector No.	R6
Connector Name	AUTO ANTI-DAZZLING INSIDE MIRROR (WITHOUT HOMELINK® UNIVERSAL TRANSCEIVER)
Connector Type	JAA07FB
Connector Color	BLACK



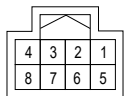
Terminal No.	Color of Wire	Signal Name
1	B/R	IGNITION
2	B	GROUND
3	-	-
4	-	-
5	-	-
6	-	-
7	-	-

Connector No.	R7
Connector Name	AUTO ANTI-DAZZLING INSIDE MIRROR (WITH HOMELINK® UNIVERSAL TRANSCEIVER)
Connector Type	TH10FB-NH
Connector Color	BLACK



Terminal No.	Color of Wire	Signal Name
1	-	-
2	-	-
3	-	-
4	-	-
5	-	-
6	B/R	IGNITION
7	-	-
8	B	GROUND
9	-	-
10	B/Y	BATTERY

Connector No.	R8
Connector Name	TELEMATICS SWITCH
Connector Type	TH08FW-NH
Connector Color	WHITE



Connector No.	R12
Connector Name	VANITY MIRROR LAMP RH
Connector Type	MCA02FW
Connector Color	WHITE



Connector No.	R100
Connector Name	WIRE TO WIRE
Connector Type	GT135C-1/1PP-HU
Connector Color	GRAY



Connector No.	R103
Connector Name	ANTENNA BASE
Connector Type	GT16C-1PP-HU (B)
Connector Color	GREEN



Terminal No.	Color of Wire	Signal Name
1	BR	LED A
2	Y	LED A (GROUND)
3	LG	E-CALL SW
4	-	-
5	L	ILL
6	V	ILL CONT
7	B	SW GROUND
8	-	-

Terminal No.	Color of Wire	Signal Name
1	V	BATTERY
2	B	GROUND

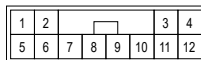
Terminal No.	Color of Wire	Signal Name
1	B	TO MAIN SUB-HARNESS
2	B	TO MAIN SUB-HARNESS
3	SHIELD	TO MAIN SUB-HARNESS

Terminal No.	Color of Wire	Signal Name
4	B	ANT IN
5	SHIELD	ANT GROUND

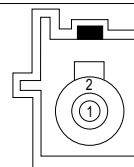
Connector No.	R11
Connector Name	VANITY MIRROR LAMP LH
Connector Type	MCA02FW
Connector Color	WHITE



Connector No.	R17
Connector Name	LANE CAMERA UNIT
Connector Type	MUB12FB
Connector Color	BLACK



Connector No.	R101
Connector Name	WIRE TO WIRE
Connector Type	GT16C-1PP-HU (B)
Connector Color	BROWN



Terminal No.	Color of Wire	Signal Name
1	B	GROUND
2	-	-
3	BG	IGNITION POWER SUPPLY
4	-	-
5	L	ITS CAN COMMUNICATION-H
6	Y	ITS CAN COMMUNICATION-L
7	-	-
8	-	-
9	-	-
10	-	-
11	-	-
12	-	-

Terminal No.	Color of Wire	Signal Name
1	B	TO MAIN SUB-HARNESS
2	SHIELD	TO MAIN SUB-HARNESS

Terminal No.	Color of Wire	Signal Name
1	V	BATTERY
2	B	GROUND

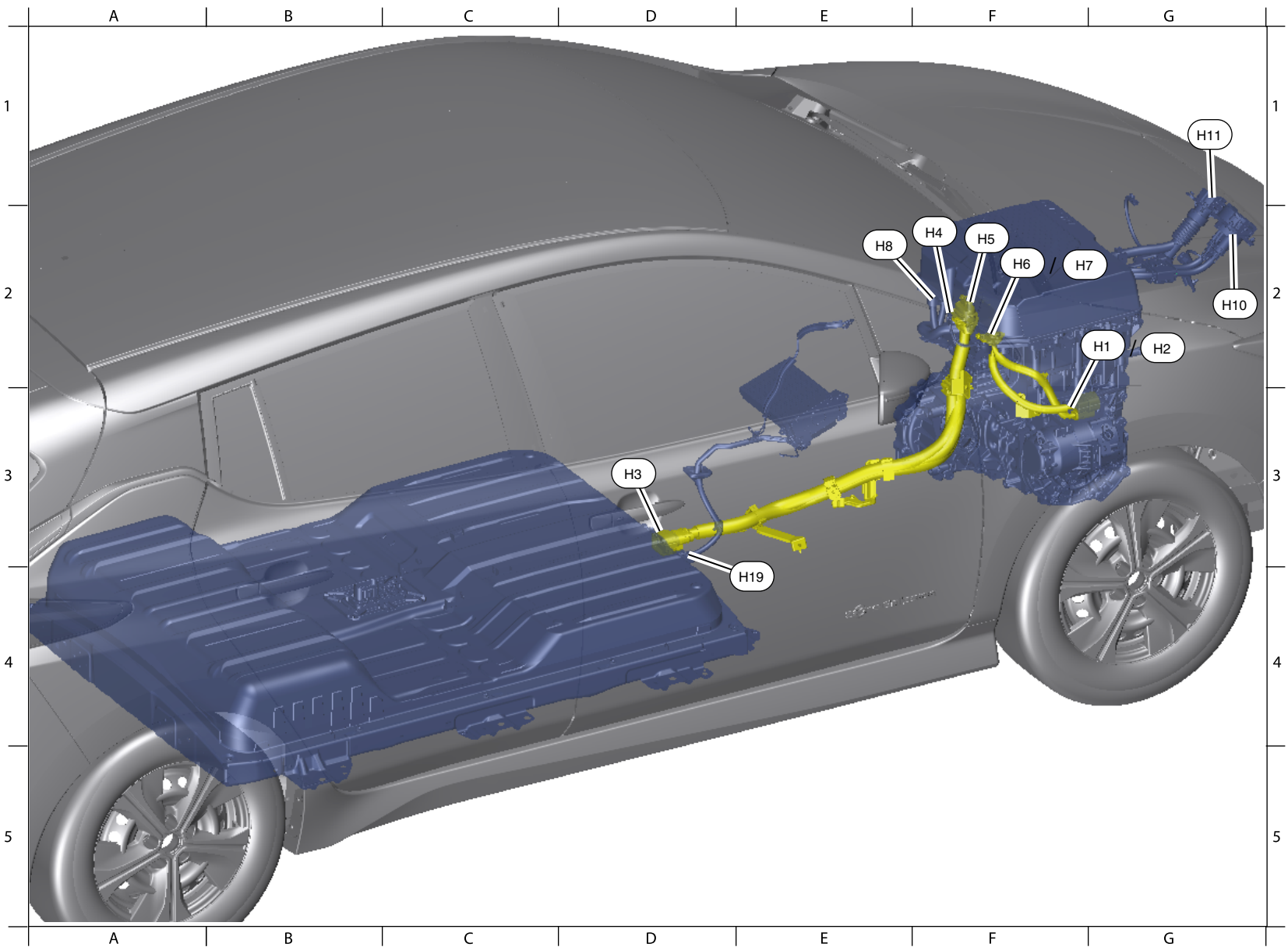
Connector No.	R102
Connector Name	ANTENNA BASE
Connector Type	GT135C-1/1PP-HU
Connector Color	GRAY



Terminal No.	Color of Wire	Signal Name
1	B	ANTENNA BATTERY
2	B	ANT MAIN
3	SHIELD	SHIELD

HARNESSES LAYOUT

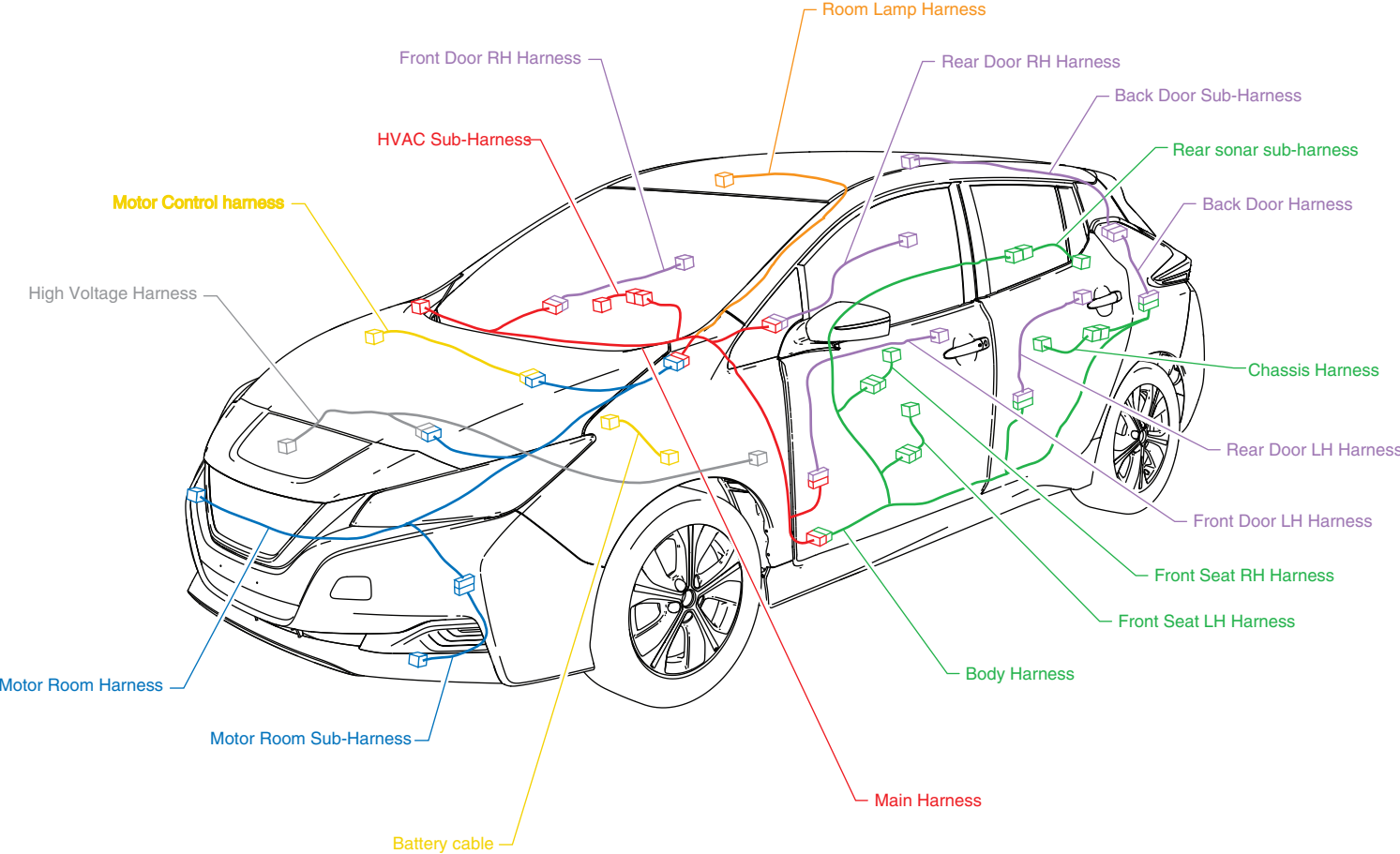
HIGH VOLTAGE HARNESS



HIGH VOLTAGE HARNESS

G2	H1	O/4	: ELECTRIC COMPRESSOR (WITHOUT HEAT PUMP)	F2	H7	O/4	: PDM (POWER DELIVERY MODULE)
G2	H2	O/4	: ELECTRIC COMPRESSOR (WITH HEAT PUMP)	E2	H8	O/2	: PDM (POWER DELIVERY MODULE)
D3	H3	O/3	: LI-ION BATTERY	G2	H10	O/9	: QUICK CHARGE PORT
F2	H4	-	: MOTOR GROUND	G1	H11	O/5	: NORMAL CHARGE PORT
F2	H5	O/3	: PDM (POWER DELIVERY MODULE)	E4	H19	O/6	: LI-ION BATTERY
F2	H6	O/4	: PDM (POWER DELIVERY MODULE)				

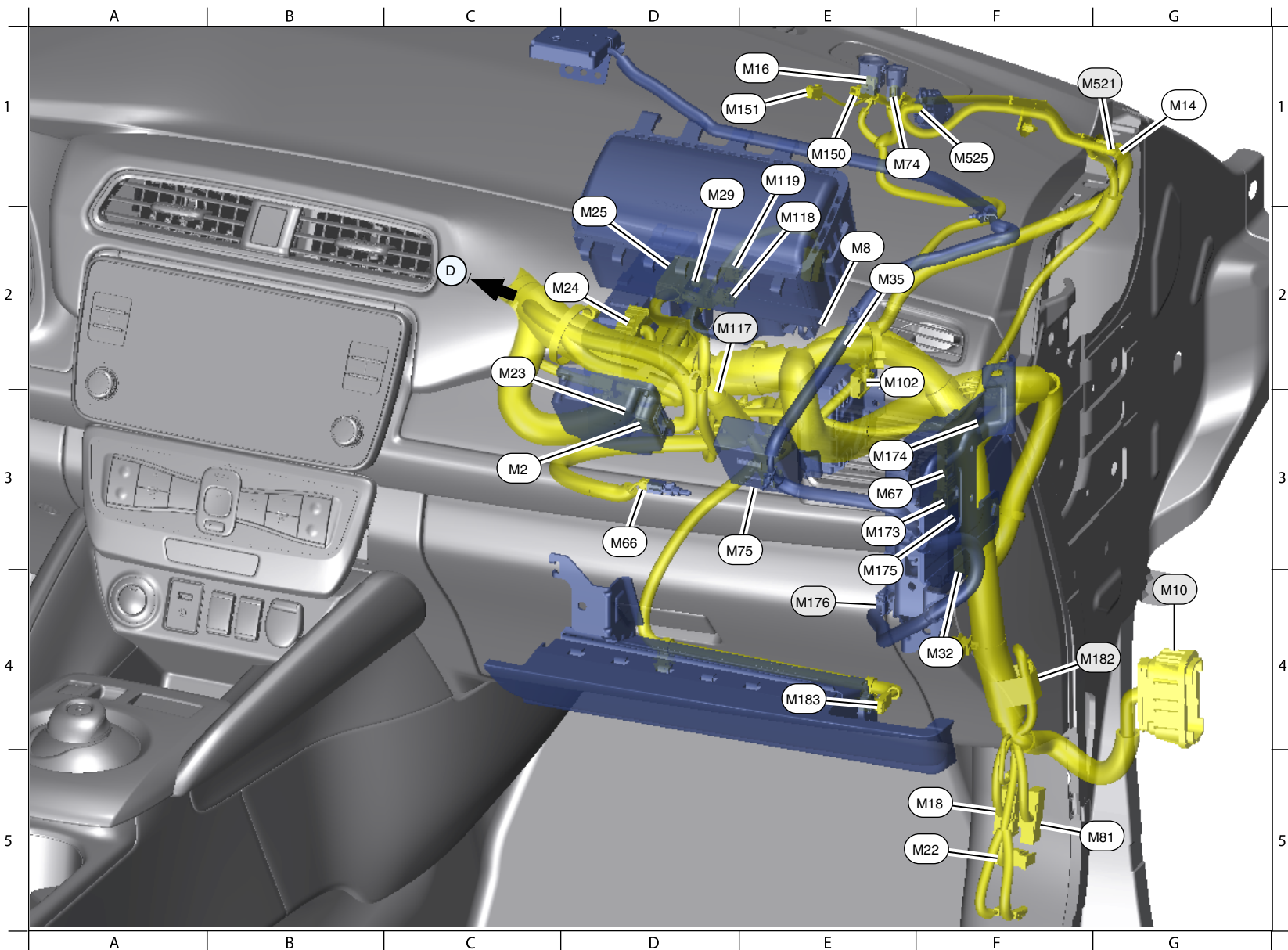
OUTLINE



MAIN HARNESS - RADIO VIEW

F4	M13	BR/2	: WARNING BUZZER	C5	M88	W/2	: DIODE-1
F4	M36	L/20	: JOINT CONNECTOR-M02	C3	M94	W/40	: AV CONTROL UNIT (WITHOUT NAVIGATION SYSTEM)
F4	M40	W/24	: JOINT CONNECTOR-M05	C3	M98	W/40	: AV CONTROL UNIT (WITH NAVIGATION SYSTEM)
B5	M42	W/2	: IN-VEHICLE SENSOR	C4	M99	W/4	: TO M200
B3	M43	G/20	: JOINT CONNECTOR-M04	D3	M104	B/6	: AV CONTROL UNIT
F3	M44	G/20	: JOINT CONNECTOR-M01	E3	M113	GR/5	: AV CONTROL UNIT
D2	M45	W/4	: HAZARD SWITCH	E3	M114	P/2	: AV CONTROL UNIT
B3	M54	B/6	: INTAKE DOOR MOTOR	D3	M115	L/2	: AV CONTROL UNIT
C5	M55	W/40	: A/C AUTO AMP.	D3	M116	BR/6	: AV CONTROL UNIT
C5	M63	B/5	: FRONT PASSENGER AIR BAG OFF INDICATOR	B4	M153	L/20	: JOINT CONNECTOR-M08
B3	M64	BR/28	: JOINT CONNECTOR-M09	E3	M156	P/2	: AV CONTROL UNIT (WITHOUT NAVIGATION SYSTEM)
C4	M68	W/20	: AV CONTROL UNIT (WITHOUT NAVIGATION SYSTEM)	E3	M158	B/6	: AV CONTROL UNIT (WITHOUT NAVIGATION SYSTEM)
C4	M70	W/20	: AV CONTROL UNIT (WITH NAVIGATION SYSTEM)	F3	M159	GR/5	: AV CONTROL UNIT (WITHOUT NAVIGATION SYSTEM)
C3	M82	W/4	: TO M143	MAIN SUB-HARNESS			
C5	M86	L/2	: INSIDE KEY ANTENNA (INSTRUMENT CENTER)	C4	M200	W/4	: TO M99
B4	M87	W/24	: TO M140	D1	M201	W/4	: CHARGING STATUS INDICATOR

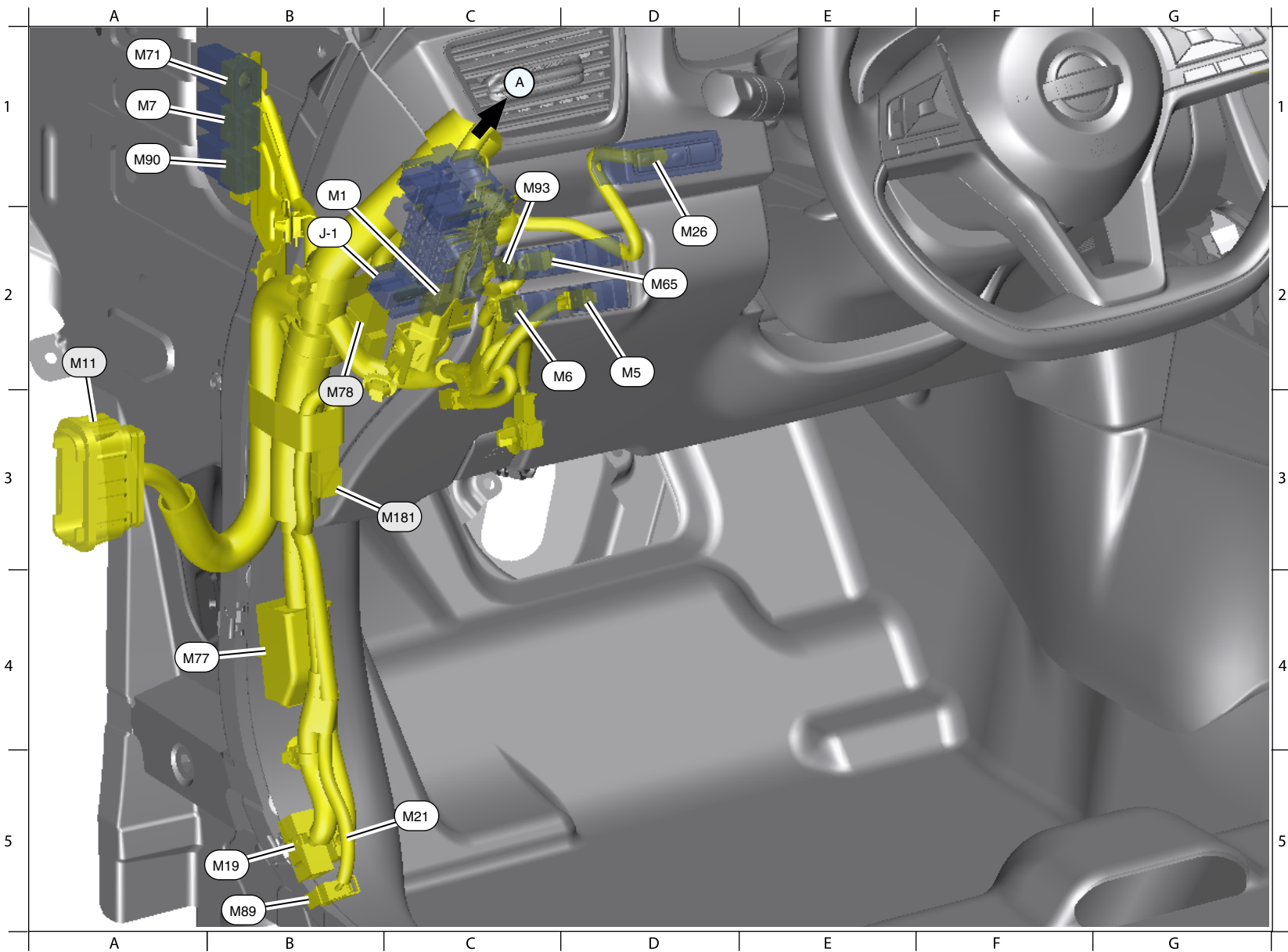
MAIN HARNESS - RH VIEW



MAIN HARNESS - RH VIEW

D3	M2	W/24	: ADAS CONTROL UNIT	G5	M81	W/40	: TO B18	
E2	M8	Y/4	: TO M117	F3	M102	W/16	: HEAT PUMP CONTROL UNIT	
G4	M10	W/55	: TO D102	E2	M117	Y/4	: TO M8	
G1	M14	BR/2	: TO M521	D1	M118	B/2	: FRONT PASSENGER AIR BAG MODULE	
E1	M16	W/3	: OPTICAL SENSOR	E1	M119	O/2	: FRONT PASSENGER AIR BAG MODULE	
F5	M18	W/16	: TO B1	F1	M150	GR/3	: TO R100	
F5	M22	W/24	: TO B42	E1	M151	BR/2	: TO R101	
D3	M23	W/40	: BCM (BODY CONTROL MODULE)	E3	M173	BR/6	: TCU	
D2	M24	B/40	: BCM (BODY CONTROL MODULE)	E3	M174	P/2	: TCU	
D2	M25	W/15	: BCM (BODY CONTROL MODULE)	E4	M175	L/2	: TCU	
E2	M29	B/15	: BCM (BODY CONTROL MODULE)	E4	M176	GR/5	: TELEMATICS ANTENNA	
F4	M32	W/40	: AROUND VIEW MONITOR CONTROL UNIT	G4	M182	W/12	: ACCESSORY PRE-WIRE RH	
E2	M35	-	: BODY GROUND	E4	M183	B/2	: RIGHT KNEE AIR BAG MODULE	
E3	M66	W/2	: GLOVE BOX LAMP	MAIN SUB HARNESS				
E3	M67	B/40	: TCU	G1	M521	BR/2	: TO M14	
F1	M74	W/2	: SUNLOAD SENSOR	F1	M525	BR/2	: TWEETER RH	
E3	M75	W/12	: LOW TIRE PRESSURE WARNING CONTROL UNIT					

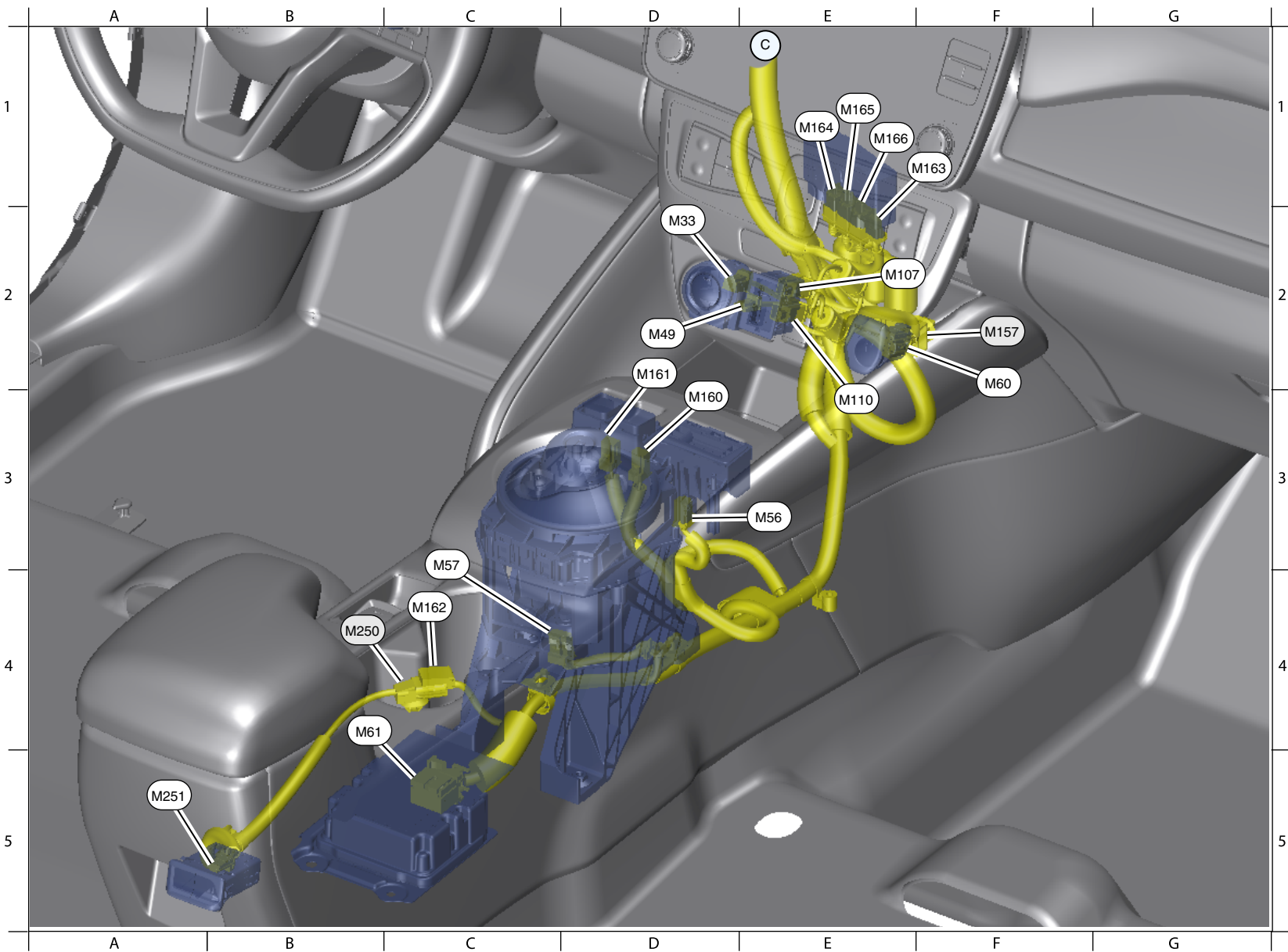
MAIN HARNESS - LH VIEW



MAIN HARNESS - LH VIEW

B2	J-1	-	: FUSE BLOCK (J/B) (BLOWER RELAY)	D2	M26	W/8	: METER CONTROL SWITCH
B1	M1	W/1	: FUSE BLOCK (J/B)	D2	M65	B/8	: IMMEDIATE CHARGING SWITCH
D2	M5	L/8	: STEERING ASSIST SWITCH	A1	M71	L/4	: HEATED SEAT RELAY
D2	M6	W/6	: HEATED STEERING WHEEL SWITCH	A4	M77	SMJ	: TO E105
A1	M7	L/4	: HEATED STEERING WHEEL RELAY	B3	M78	B/2	: TO E106
A2	M11	W/55	: TO D22	B5	M89	W/2	: TO B6
C3	M17	W/8	: CALIBRATION CONTROL	A1	M90	L/4	: REAR HEATED SEAT RELAY
B5	M19	W/16	: TO B2	C1	M93	GR/4	: CHARGE PORT LID OPENER SWITCH
C5	M21	W/16	: TO B3	C3	M181	W/12	: ACCESSORY PRE-WIRE LH

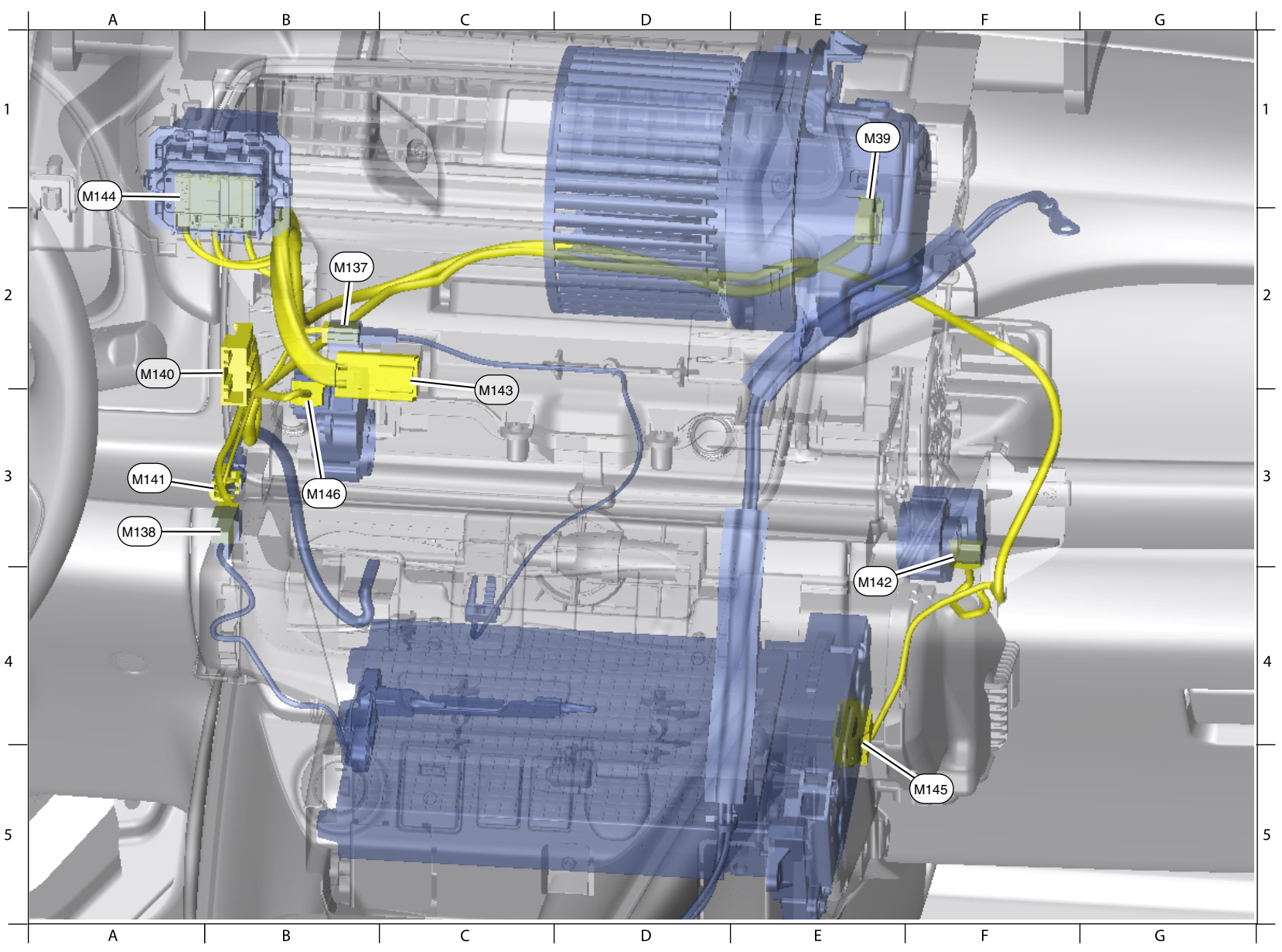
MAIN HARNESS - CONSOLE VIEW



MAIN HARNESS - CONSOLE VIEW

D1	M33	W/6	: POWER SWITCH	D2	M161	G/8	: ECO MODE SWITCH
D2	M49	W/4	: NATS ANTENNA AMP.	C4	M162	B/2	: TO M250
D3	M56	W/8	: SELECTOR INDICATOR	F1	M163	W/4	: FRONT AUXILIARY INPUT JACKS CONTROL UNIT
B4	M57	W/12	: ELECTRIC SHIFT SENSOR	E1	M164	G/6	: FRONT AUXILIARY INPUT JACKS CONTROL UNIT
F2	M60	B/3	: POWER SOCKET	E1	M165	GR/6	: FRONT AUXILIARY INPUT JACKS CONTROL UNIT
A4	M61	GR/33	: AIR BAG DIAGNOSIS SENSOR UNIT	E1	M166	B/6	: FRONT AUXILIARY INPUT JACKS CONTROL UNIT
E2	M107	G/6	: FRONT AUXILIARY INPUT JACKS (WITH 8 INCH DISPLAY)	CONSOLE SUB-HARNESS			
F1	M110	GR/6	: FRONT AUXILIARY INPUT JACKS (WITH 8 INCH DISPLAY)	B4	M250	B/2	: TO M162
F2	M157	W/16	: TO E115	A5	M251	W/4	: REAR USB CHARGE PORT
D2	M160	B/8	: E-PEDAL SWITCH				

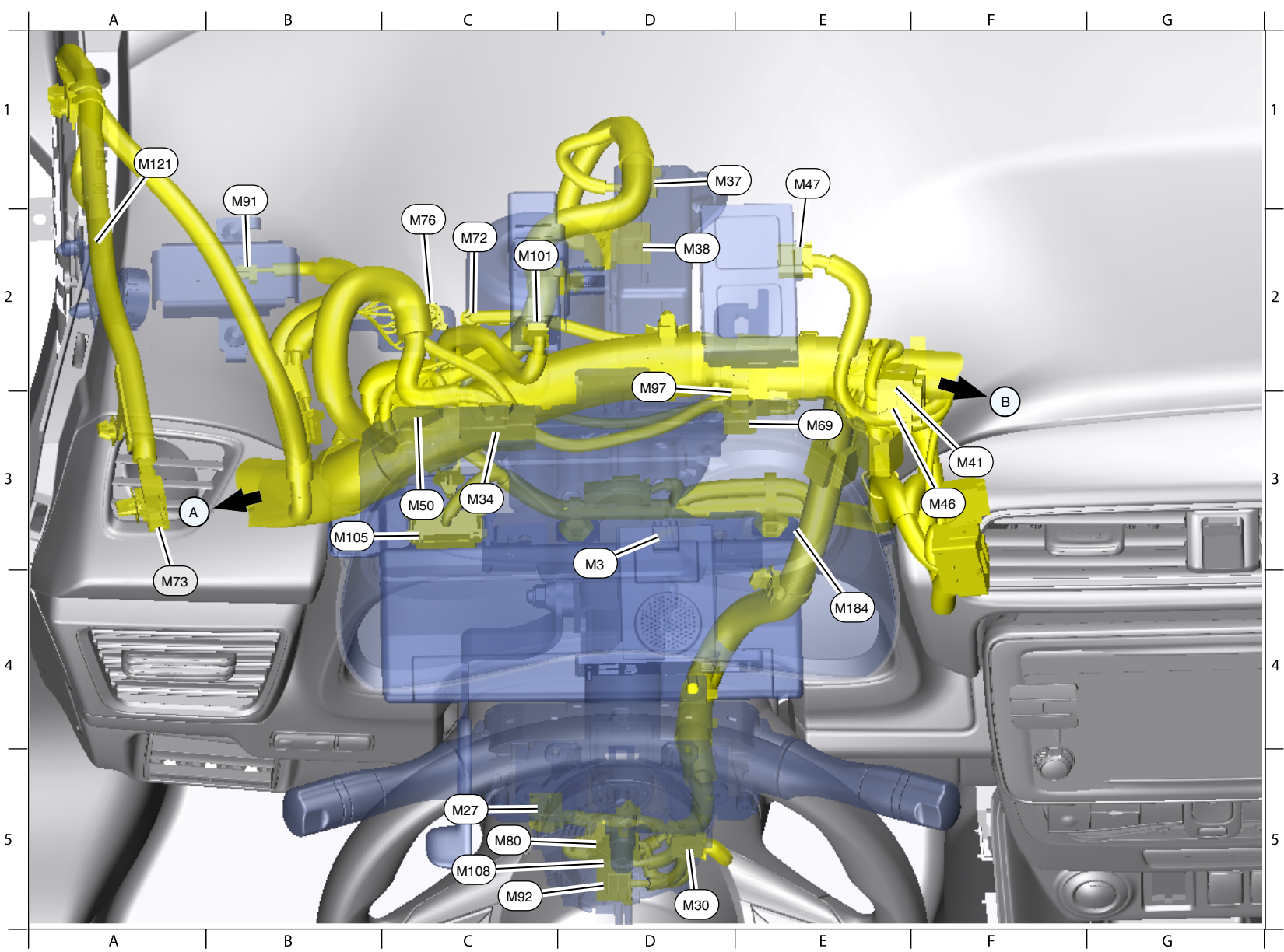
HVAC SUB-HARNESS



HVAC SUB-HARNESS

E1	M39	GR/2	: BLOWER MOTOR	E4	M142	B/6	: MODE DOOR MOTOR
B2	M137	GR/2	: COMPRESSOR DISCHARGE REFRIGERANT TEMPERATURE SENSOR	C3	M143	W/4	: TO M82
A3	M138	W/4	: PTC HEATER OUTLET AIR TEMPERATURE SENSOR AND A/C UNIT CASE TEMPERATURE SENSOR ASSEMBLY	A1	M144	B/4	: POWER TRANSISTOR
A2	M140	W/24	: TO M87	F5	M145	B/6	: PTC HEATER
A3	M141	BR/2	: INTAKE SENSOR	B3	M146	B/6	: AIR MIX DOOR MOTOR

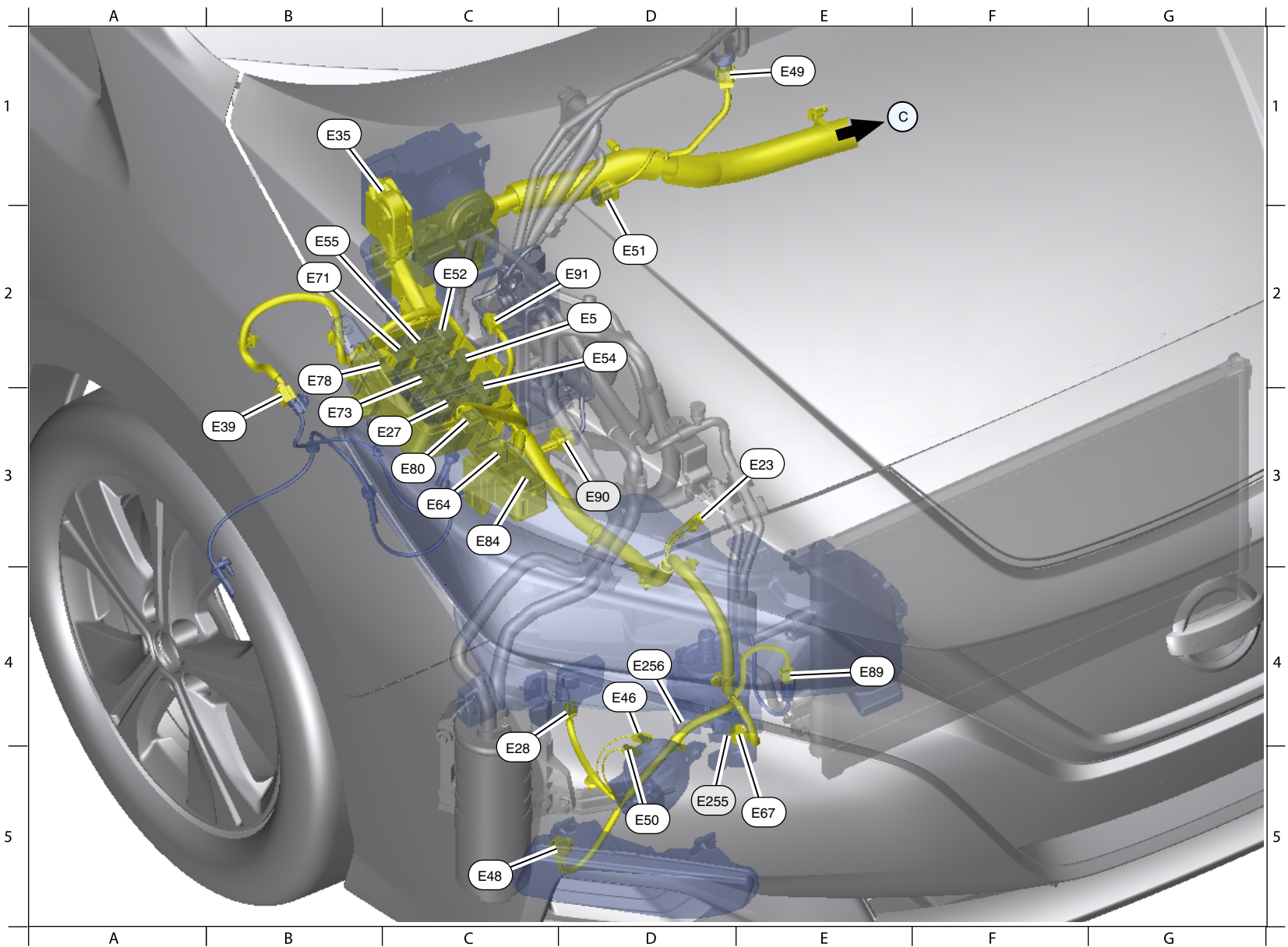
MAIN HARNESS - COLUMN VIEW



MAIN HARNESS - COLUMN VIEW

D3	M3	W/2	: WARNING SYSTEM BUZZER	A3	M73	W/24	: TO R1
C5	M27	W/14	: COMBINATION SWITCH	C2	M76	-	: BODY GROUND
D5	M30	W/8	: STEERING ANGLE SENSOR	C5	M80	W/2	: COMBINATION SWITCH (SPIRAL CABLE)
C3	M34	W/40	: COMBINATION METER	B1	M91	W/4	: DONGLE UNIT
D1	M37	W/8	: EPS CONTROL UNIT	C5	M92	GR/8	: COMBINATION SWITCH (SPIRAL CABLE)
D2	M38	B/2	: EPS CONTROL UNIT	D2	M97	B/3	: CAN TERMINATOR (IT CAN COMMUNICATION)
F3	M41	L/20	: JOINT CONNECTOR-M06	C2	M101	W/24	: 6CH CAN GATEWAY
F3	M46	G/20	: JOINT CONNECTOR-M07	C4	M105	W/16	: DATA LINK CONNECTOR
E1	M47	W/16	: APPROACHING VEHICLE SOUND FOR PEDESTRIANS (VSP) CONTROL UNIT	C5	M108	Y/6	: COMBINATION SWITCH (SPIRAL CABLE)
C3	M50	L/20	: JOINT CONNECTOR-M03	A2	M121	BR/2	: TWEETER LH
E3	M69	W/16	: COMBINATION METER	E4	M184	B/2	: LEFT KNEE AIR BAG MODULE
C2	M72	-	: BODY GROUND				

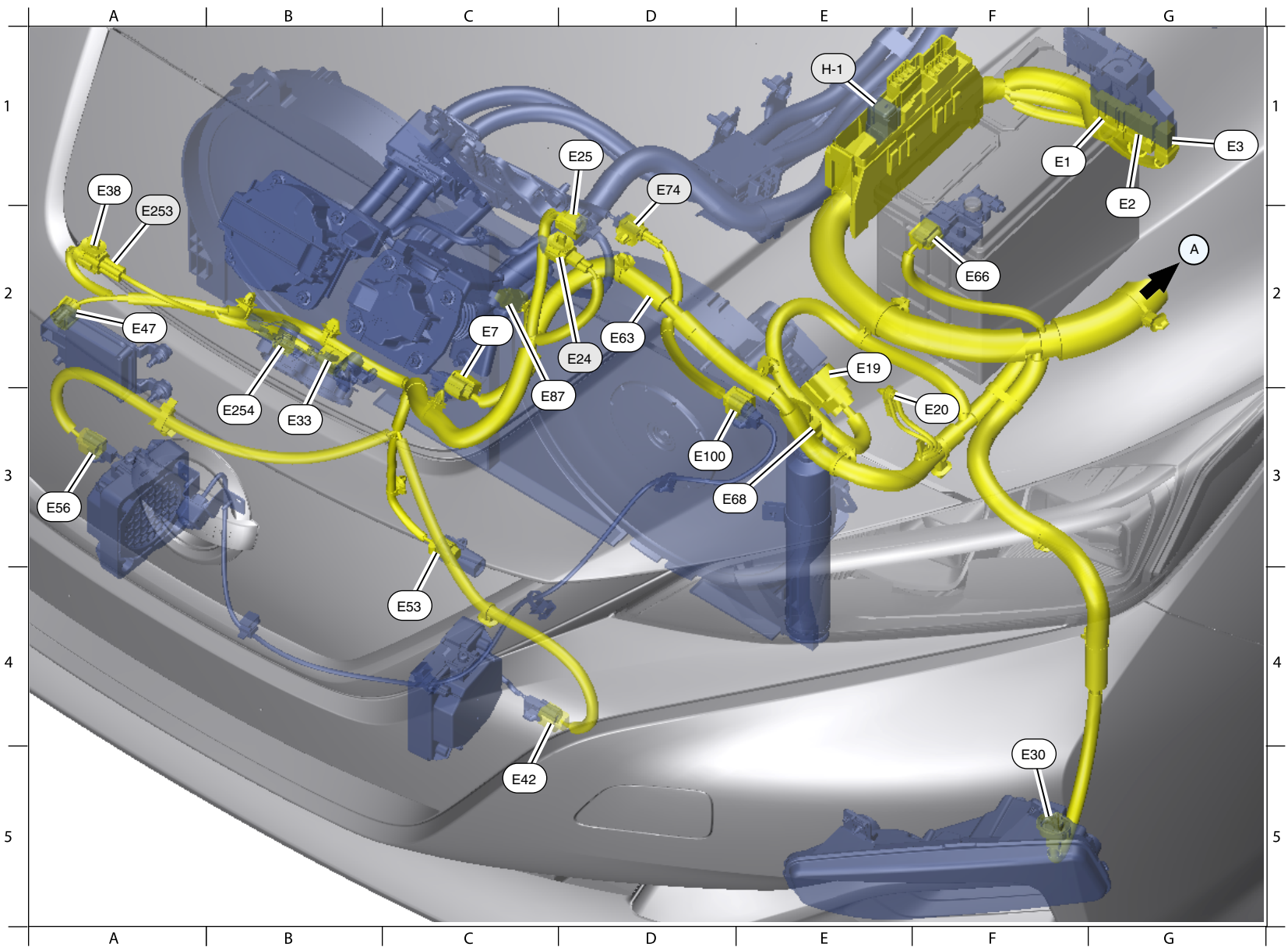
MOTOR ROOM HARNESS - RH VIEW (WITH HEAT PUMP)



MOTOR ROOM HARNESS - RH VIEW (WITH HEAT PUMP)

D2	E5	W/3	: VEHICLE SECURITY HORN RELAY	C3	E64	L/4	: F/S CHG RELAY
E3	E23	-	: BODY GROUND	E5	E67	G/4	: TO E255
C3	E27	L/4	: REVERSE LAMP RELAY	B2	E71	L/4	: STOP LAMP ON RELAY
C5	E28	BR/3	: INTELLIGENT KEY WARNING BUZZER	B3	E73	B/5	: STOP LAMP OFF RELAY-1
B1	E35	B/38	: ABS ACTUATOR AND ELECTRIC UNIT (CONTROL UNIT)	B2	E78	L/4	: STOP LAMP OFF RELAY-2
B3	E39	B/2	: FRONT WHEEL SENSOR RH	C3	E80	B/8	: FRONT COMBINATION LAMP RH
D4	E46	B/1	: HORN (LOW)	C3	E84	BR/6	: DAYTIME RUNNING LIGHT RELAY
C5	E48	B/2	: FRONT FOG LAMP RH	E4	E89	BR/2	: COMPRESSOR SUCTION REFRIGERANT TEMPERATURE SENSOR
E1	E49	B/3	: REFRIGERANT PRESSURE SENSOR (WITH HEAT PUMP)	D3	E90	GR/2	: REFRIGERANT CHANNEL SWITCHING 2 WAY TYPE VALVE
D5	E50	B/1	: HORN (LOW)	D2	E91	B/2	: REFRIGERANT CHANNEL SWITCHING 3 WAY TYPE VALVE
D2	E51	B/10	: JOINT CONNECTOR-E03	ELECTRIC WATER PUMP SUB-HARNESS			
C2	E52	BR/6	: A/C RELAY	D5	E255	B/4	: TO E67
D2	E54	L/5	: PARKING ACTUATOR RELAY A	D4	E256	B/4	: ELECTRIC WATER PUMP
B2	E55	L/4	: ICC BRAKE HOLD RELAY				

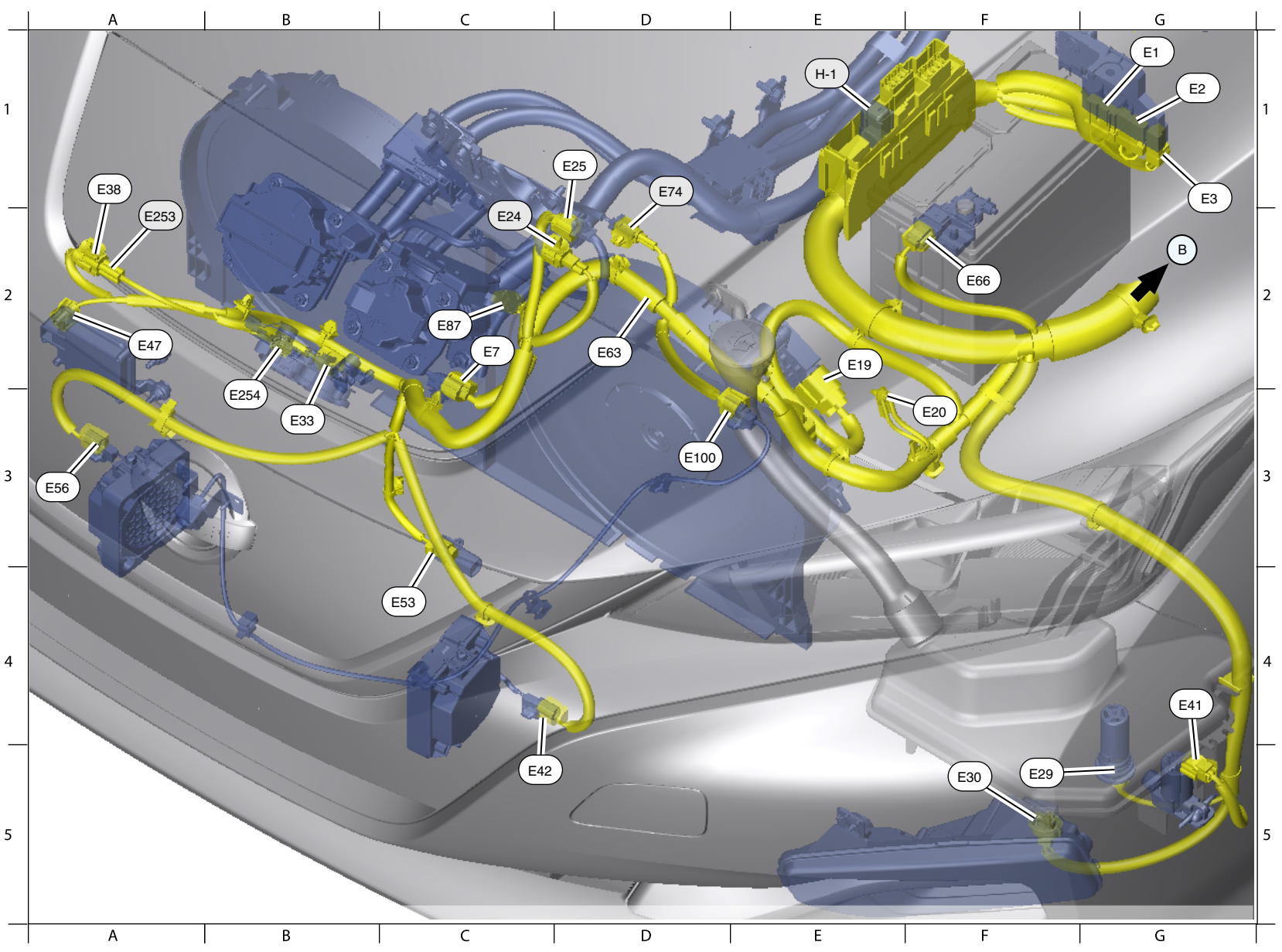
MOTOR ROOM HARNESS - FRONT VIEW (WITHOUT HEAT PUMP)



MOTOR ROOM HARNESS - FRONT VIEW (WITHOUT HEAT PUMP)

F1	E1	GR/2	: FUSIBLE LINK BOX (BATTERY)	C4	E53	B/2	: AMBIENT SENSOR
G1	E2	B/2	: FUSIBLE LINK BOX (BATTERY)	A3	E56	B/2	: APPROACHING VEHICLE SOUND FOR PEDESTRIANS (VSP) SPEAKER RH
G1	E3	B/1	: FUSIBLE LINK BOX (BATTERY)	D2	E63	B/10	: JOINT CONNECTOR-E04
C2	E7	B/10	: QUICK CHARGE PORT	F2	E66	B/4	: BATTERY CURRENT SENSOR
E2	E19	GR/3	: COOLING FAN CONTROL MODULE	E3	E68	B/3	: REFRIGERANT PRESSURE SENSOR (WITHOUT HEAT PUMP)
F3	E20	-	: BODY GROUND	D1	E74	GR/2	: HOOD SWITCH
D2	E24	GR/2	: CHARGE PORT LIGHT	C3	E87	GR/4	: CHARGE CONNECTOR LOCK ACTUATOR
D1	E25	B/2	: NORMAL CHARGE PORT	D3	E100	B/4	: FRONT CAMERA
F5	E30	B/2	: FRONT FOG LAMP LH	E1	H-1	-	: FUSE, FUSIBLE LINK AND RELAY BOX 1 (HORN RELAY)
B3	E33	B/2	: CRASH ZONE SENSOR	CHARGE PORT LID OPENER ACTUATOR SUB-HARNESS			
A1	E38	B/4	: TO E253	A2	E253	B/4	: TO E38
C5	E42	B/2	: APPROACHING VEHICLE SOUND FOR PEDESTRIANS (VSP) SPEAKER LH	B3	E254	BR/2	: CHARGE PORT LID OPENER ACTUATOR
A2	E47	GR/8	: DISTANCE SENSOR				

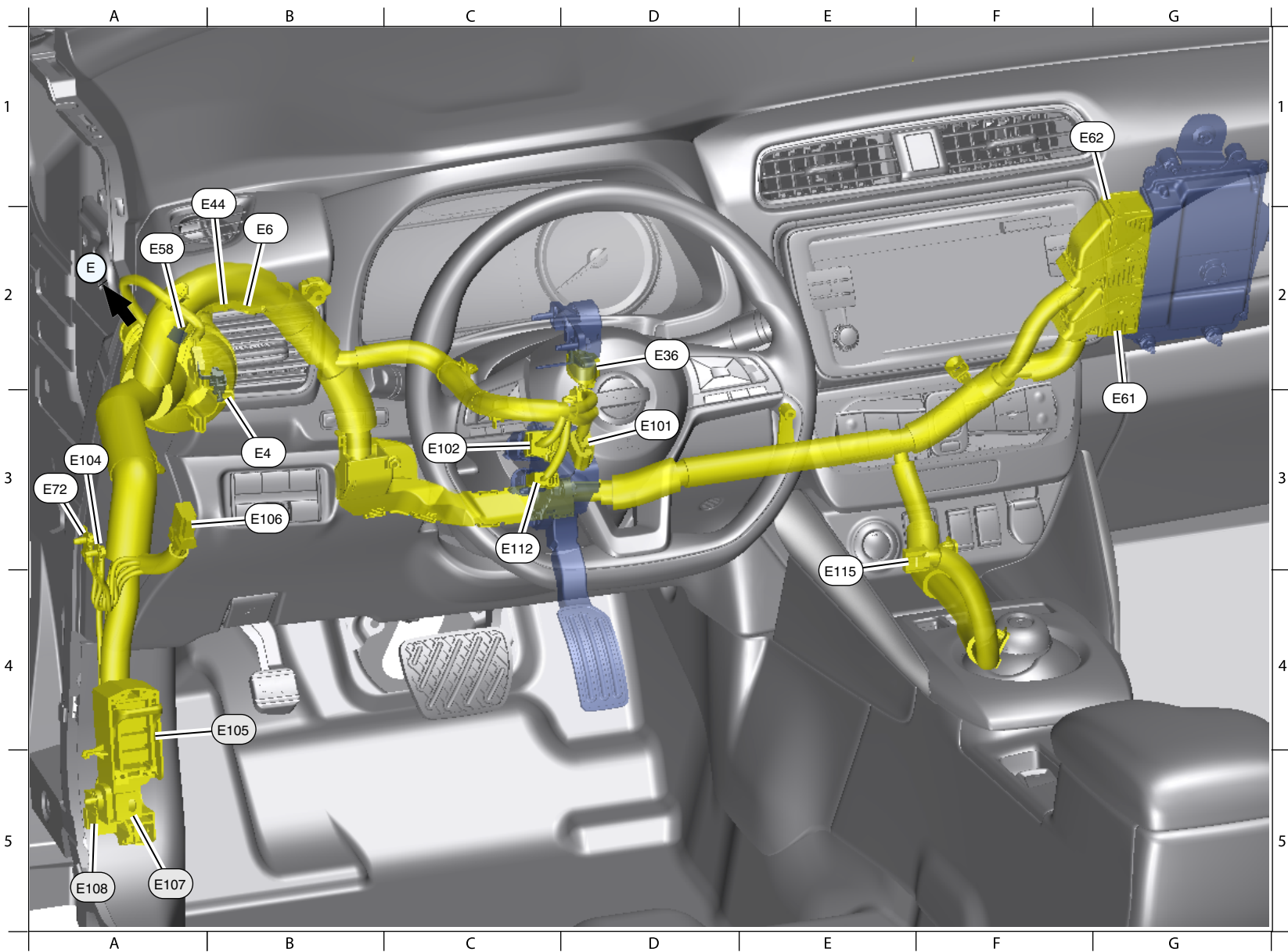
MOTOR ROOM HARNESS - FRONT VIEW (WITH HEAT PUMP)



MOTOR ROOM HARNESS - FRONT VIEW (WITH HEAT PUMP)

G1	E1	GR/2	: FUSIBLE LINK BOX (BATTERY)	C5	E42	B/2	: APPROACHING VEHICLE SOUND FOR PEDESTRIANS (VSP) SPEAKER LH
G1	E2	B/2	: FUSIBLE LINK BOX (BATTERY)	A2	E47	GR/8	: DISTANCE SENSOR
G1	E3	B/1	: FUSIBLE LINK BOX (BATTERY)	C4	E53	B/2	: AMBIENT SENSOR
C2	E7	B/10	: QUICK CHARGE PORT	A3	E56	B/2	: APPROACHING VEHICLE SOUND FOR PEDESTRIANS (VSP) SPEAKER RH
E2	E19	GR/3	: COOLING FAN CONTROL MODULE	D2	E63	B/10	: JOINT CONNECTOR-E04
F3	E20	-	: BODY GROUND	F2	E66	B/4	: BATTERY CURRENT SENSOR
C2	E24	GR/2	: CHARGE PORT LIGHT	D1	E74	GR/2	: HOOD SWITCH
D1	E25	B/2	: NORMAL CHARGE PORT	C2	E87	GR/4	: CHARGE CONNECTOR LOCK ACTUATOR
F5	E29	BR/2	: WASHER FLUID LEVEL SWITCH	D3	E100	B/4	: FRONT CAMERA
F5	E30	B/2	: FRONT FOG LAMP LH	E1	H-1	-	: FUSE, FUSIBLE LINK AND RELAY BOX 1 (HORN RELAY)
B3	E33	B/2	: CRASH ZONE SENSOR	CHARGE PORT LID OPENER ACTUATOR SUB-HARNESS			
A1	E38	B/4	: TO E253	A2	E253	B/4	: TO E38
G4	E41	GR/2	: FRONT AND REAR WASHER MOTOR	B3	E254	BR/2	: CHARGE PORT LID OPENER ACTUATOR

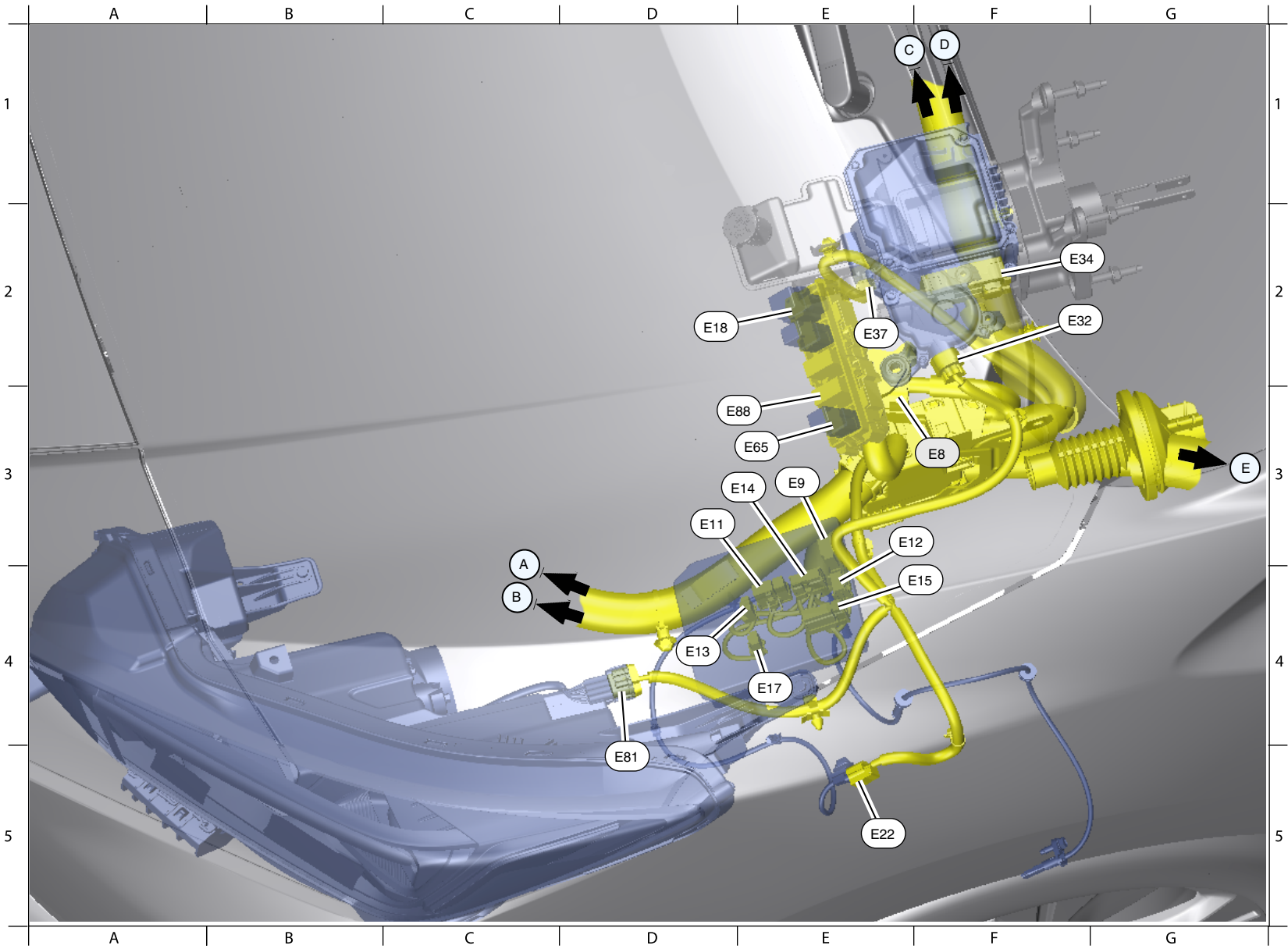
MOTOR ROOM HARNESS - CABIN VIEW



MOTOR ROOM HARNESS - CABIN VIEW

B3	E4	B/1	: PARKING BRAKE SWITCH	C3	E102	W/4	: STOP LAMP SWITCH
B2	E6	L/12	: JOINT CONNECTOR-E01	A3	E104	-	: BODY GROUND
D2	E36	B/4	: STROKE SENSOR	B4	E105	SMJ	: TO M77
B1	E44	L/12	: JOINT CONNECTOR-E02	B3	E106	B/2	: TO M78
A2	E58	B/3	: CAN TERMINATOR 1 (ITS CAN COMMUNICATION)	A5	E107	W/32	: TO B7
G3	E61	B/72	: VCM	A5	E108	W/8	: TO B8
G1	E62	B/114	: VCM	C3	E112	BR/2	: BRAKE PEDAL POSITION SWITCH
A3	E72	-	: BODY GROUND	E4	E115	W/16	: TO M157
D3	E101	B/6	: ACCELERATOR PEDAL POSITION SENSOR				

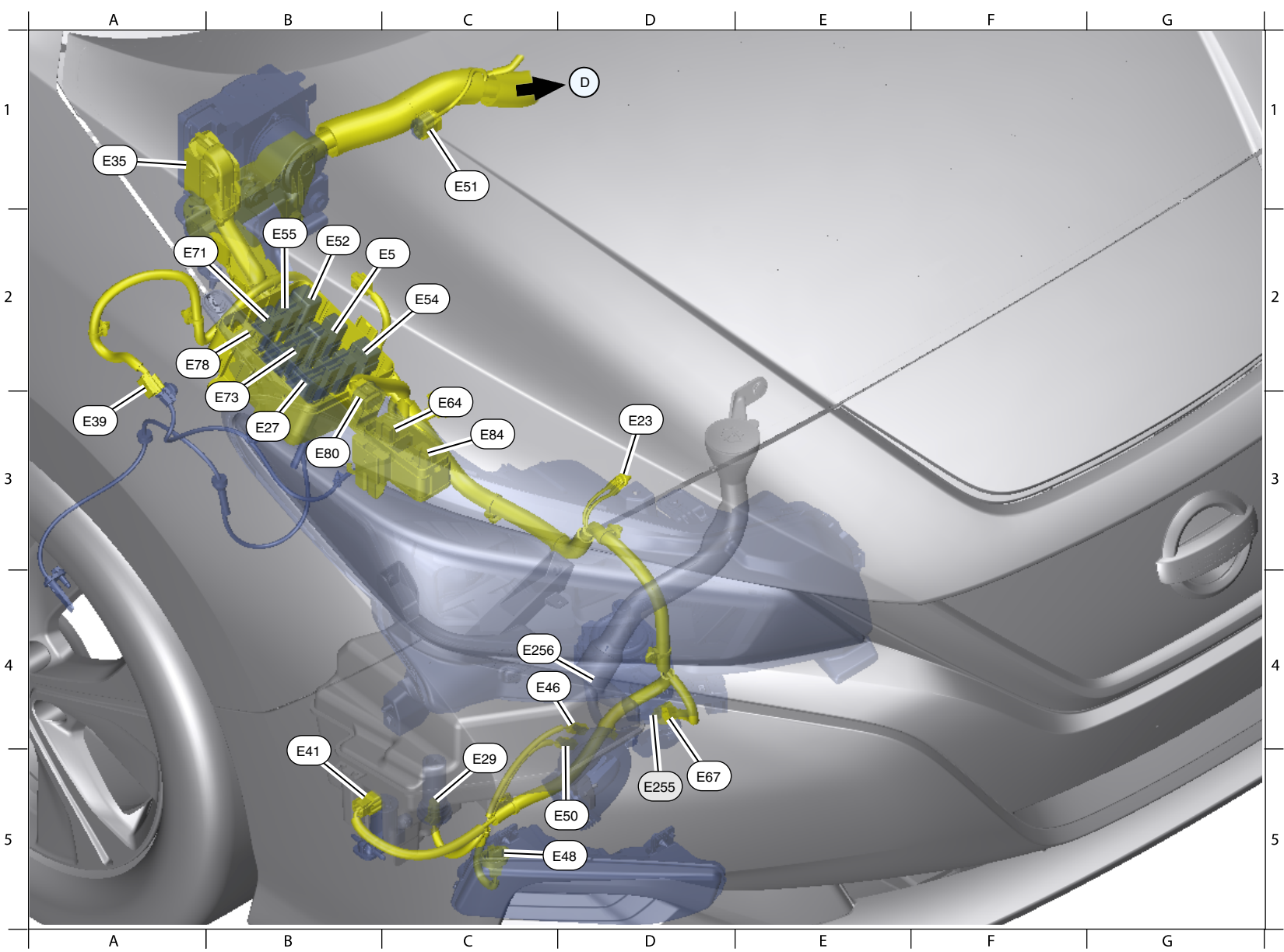
MOTOR ROOM HARNESS - LH VIEW



MOTOR ROOM HARNESS - LH VIEW

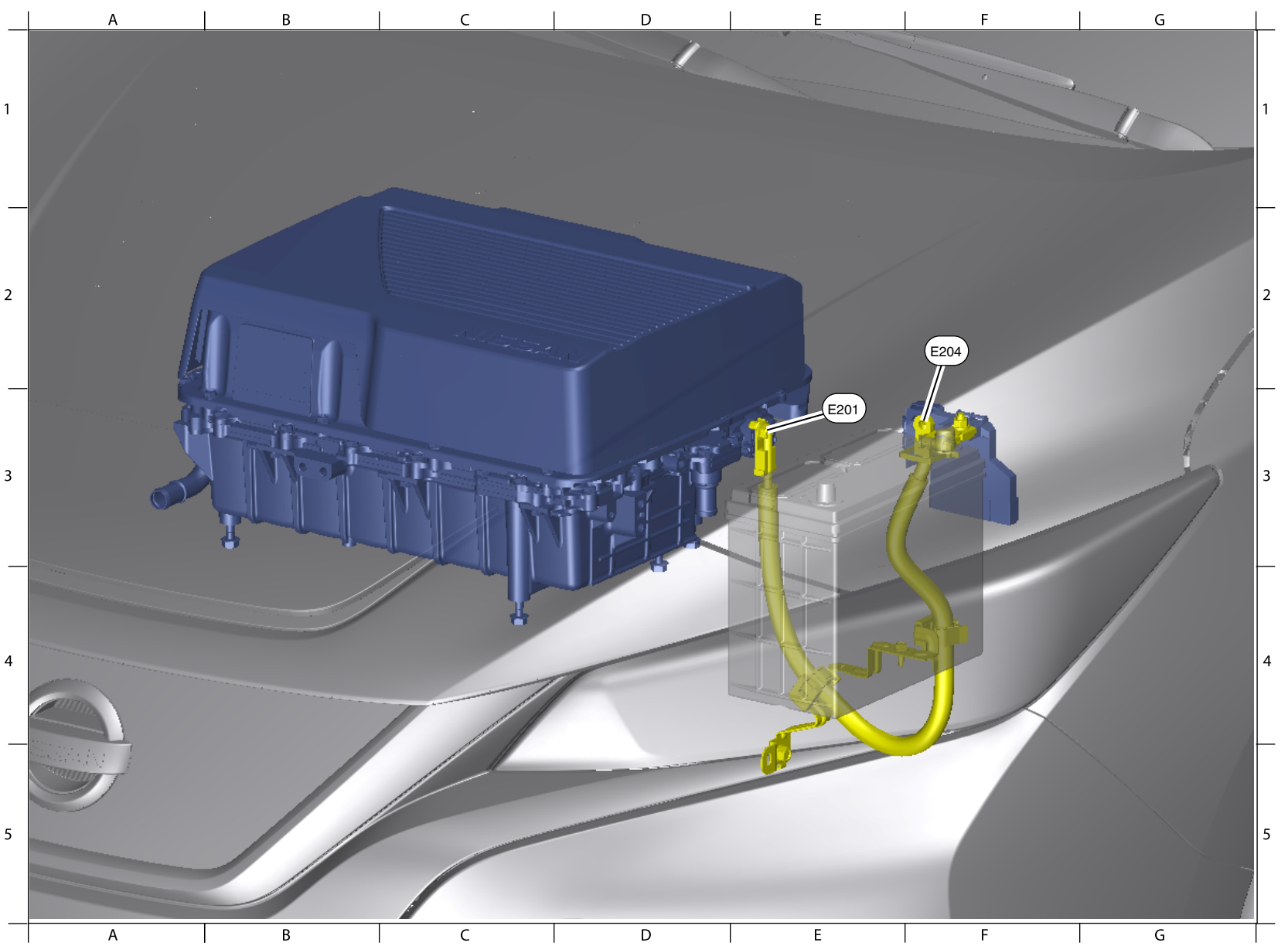
F3	E8	B/48	: TO F1	D2	E18	B/4	: COOLING FAN RELAY
E3	E9	B/2	: IPDM E/R (INTELLIGENT POWER DISTRIBUTION MODULE ENGINE ROOM)	E5	E22	B/2	: FRONT WHEEL SENSOR LH
D3	E11	B/6	: IPDM E/R (INTELLIGENT POWER DISTRIBUTION MODULE ENGINE ROOM)	F2	E32	GR/5	: FRONT WIPER MOTOR
E3	E12	BR/8	: IPDM E/R (INTELLIGENT POWER DISTRIBUTION MODULE ENGINE ROOM)	F2	E34	B/46	: ELECTRICALLY-DRIVEN INTELLIGENT BRAKE UNIT
D4	E13	W/12	: IPDM E/R (INTELLIGENT POWER DISTRIBUTION MODULE ENGINE ROOM)	E2	E37	GR/2	: BRAKE FLUID LEVEL SWITCH
E3	E14	BR/12	: IPDM E/R (INTELLIGENT POWER DISTRIBUTION MODULE ENGINE ROOM)	E3	E65	L/4	: M/C RELAY
F4	E15	W/16	: IPDM E/R (INTELLIGENT POWER DISTRIBUTION MODULE ENGINE ROOM)	D5	E81	B/8	: FRONT COMBINATION LAMP LH
E4	E17	B/10	: IPDM E/R (INTELLIGENT POWER DISTRIBUTION MODULE ENGINE ROOM)	E3	E88	L/4	: CHARGE PORT LID OPENER ACTUATOR RELAY

MOTOR ROOM HARNESS - RH VIEW (WITHOUT HEAT PUMP)



MOTOR ROOM HARNESS - RH VIEW (WITHOUT HEAT PUMP)

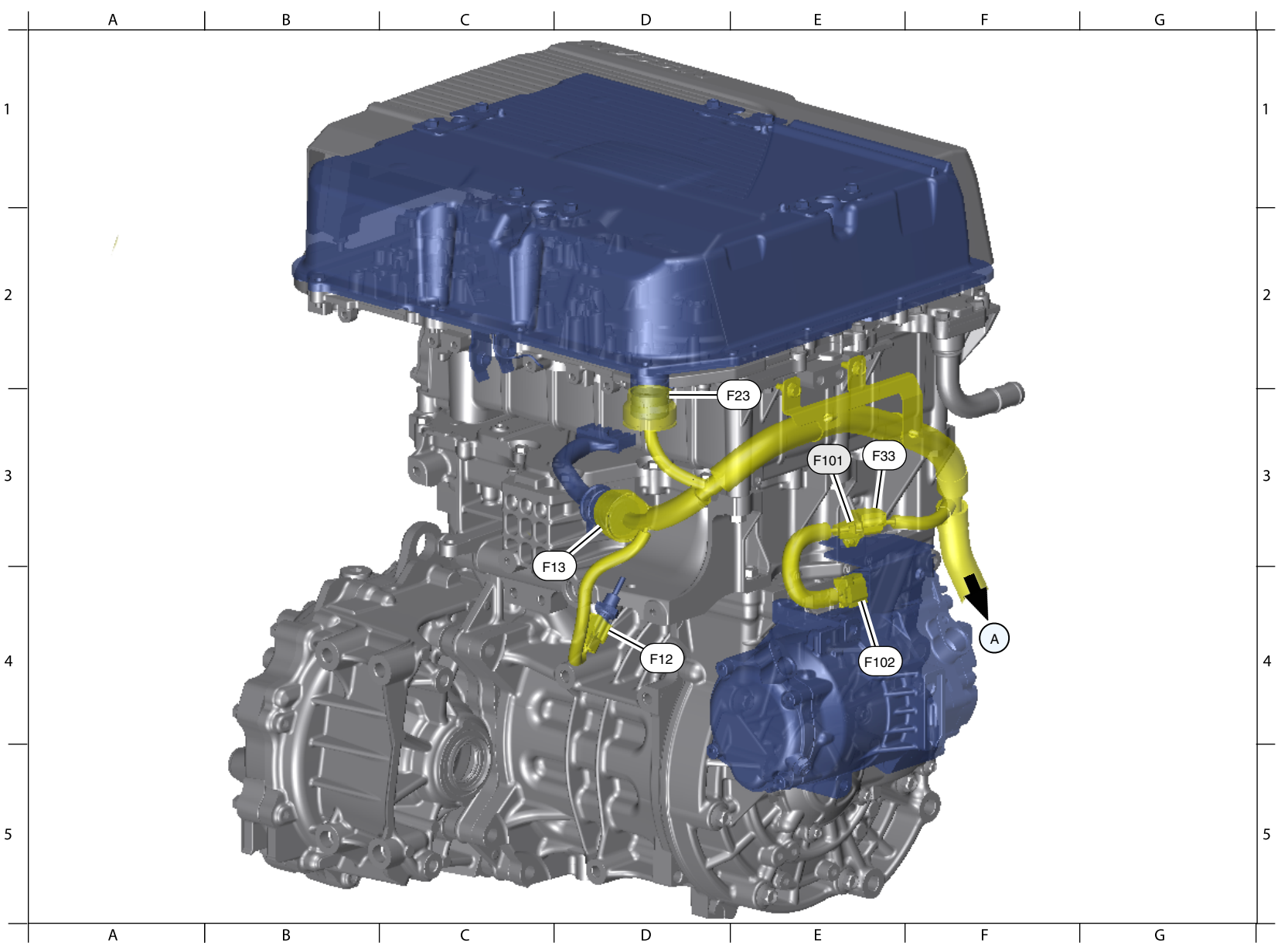
C2	E5	W/3	: VEHICLE SECURITY HORN RELAY	C2	E54	L/5	: PARKING ACTUATOR RELAY A
D3	E23	-	: BODY GROUND	B2	E55	L/4	: ICC BRAKE HOLD RELAY
B3	E27	L/4	: REVERSE LAMP RELAY	C3	E64	L/4	: F/S CHG RELAY
C5	E29	BR/2	: WASHER FLUID LEVEL SWITCH	D5	E67	G/4	: TO E255
A1	E35	B/38	: ABS ACTUATOR AND ELECTRIC UNIT (CONTROL UNIT)	A2	E71	L/4	: STOP LAMP ON RELAY
A3	E39	B/2	: FRONT WHEEL SENSOR RH	B3	E73	B/5	: STOP LAMP OFF RELAY-1
B5	E41	GR/2	: FRONT AND REAR WASHER MOTOR	A2	E78	L/4	: STOP LAMP OFF RELAY-2
C4	E46	B/1	: HORN (LOW)	B3	E80	B/8	: FRONT COMBINATION LAMP RH
D5	E48	B/2	: FRONT FOG LAMP RH	C3	E84	BR/6	: DAYTIME RUNNING LIGHT RELAY
D5	E50	B/1	: HORN (LOW)	ENGINE ROOM SUB-HARNESS			
C1	E51	B/10	: JOINT CONNECTOR-E03	D5	E255	B/4	: TO E67
B2	E52	BR/6	: A/C RELAY	C4	E256	B/4	: ELECTRIC WATER PUMP



MOTOR ROOM SUB-HARNESS

E3	E201	-	: PDM (POWER DELIVERY MODULE)	F2	E204	-	: FUSIBLE LINK BOX (BATTERY)
----	------	---	-------------------------------	----	------	---	------------------------------

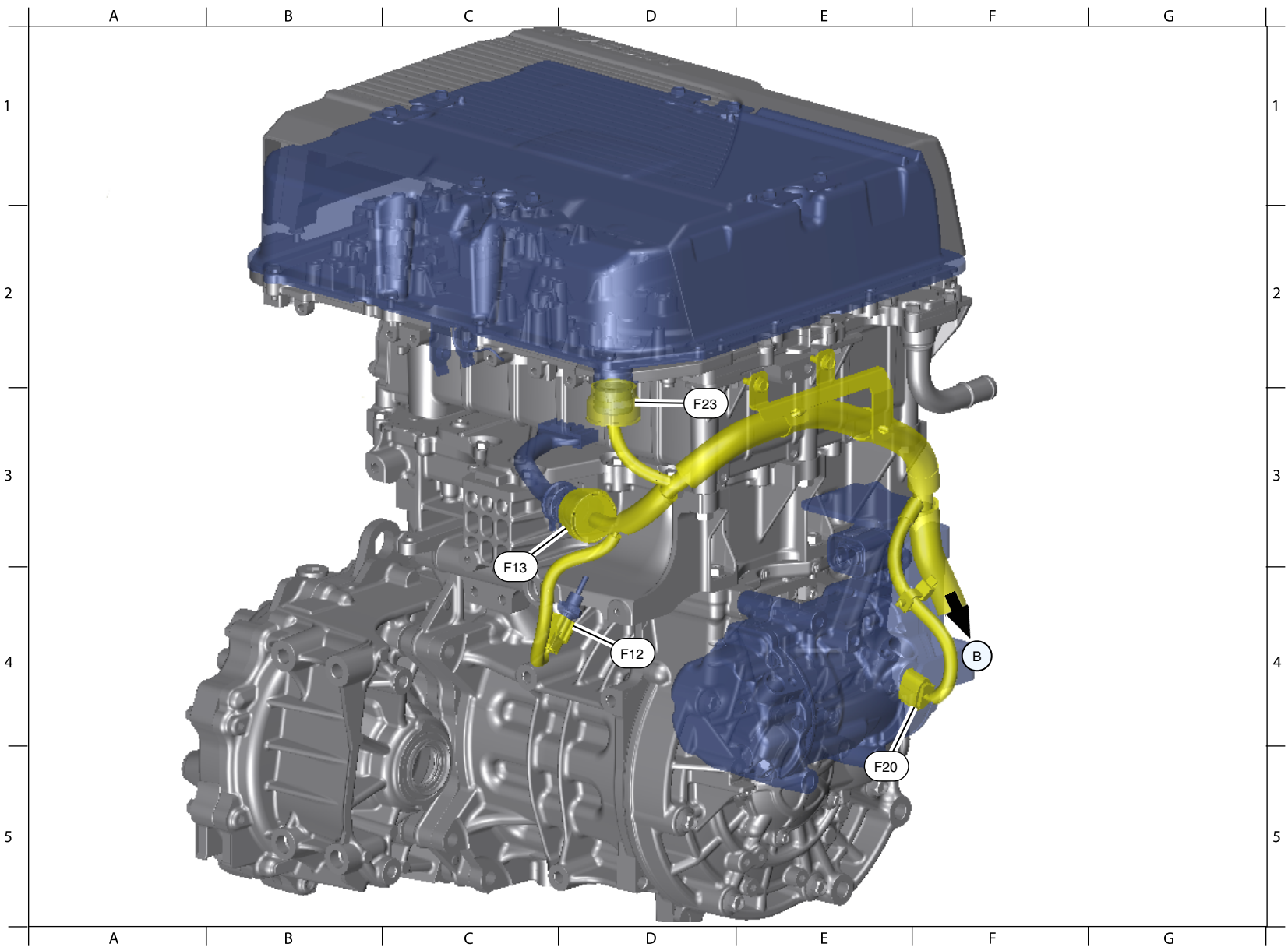
MOTOR CONTROL HARNESS - REAR VIEW (WITHOUT HEAT PUMP)



MOTOR CONTROL HARNESS - REAR VIEW (WITHOUT HEAT PUMP)

D4	F12	GR/2	: COOLANT TEMPERATURE SENSOR	ELECTRIC COMPRESSOR SUB-HARNESS			
D4	F13	GR/22	: TRACTION MOTOR INVERTER	F3	F101	B/4	: TO F33
E3	F23	G/36	: PDM (POWER DELIVERY MODULE)	F4	F102	W/6	: ELECTRIC COMPRESSOR (WITHOUT HEAT PUMP)
F3	F33	B/4	: TO F101				

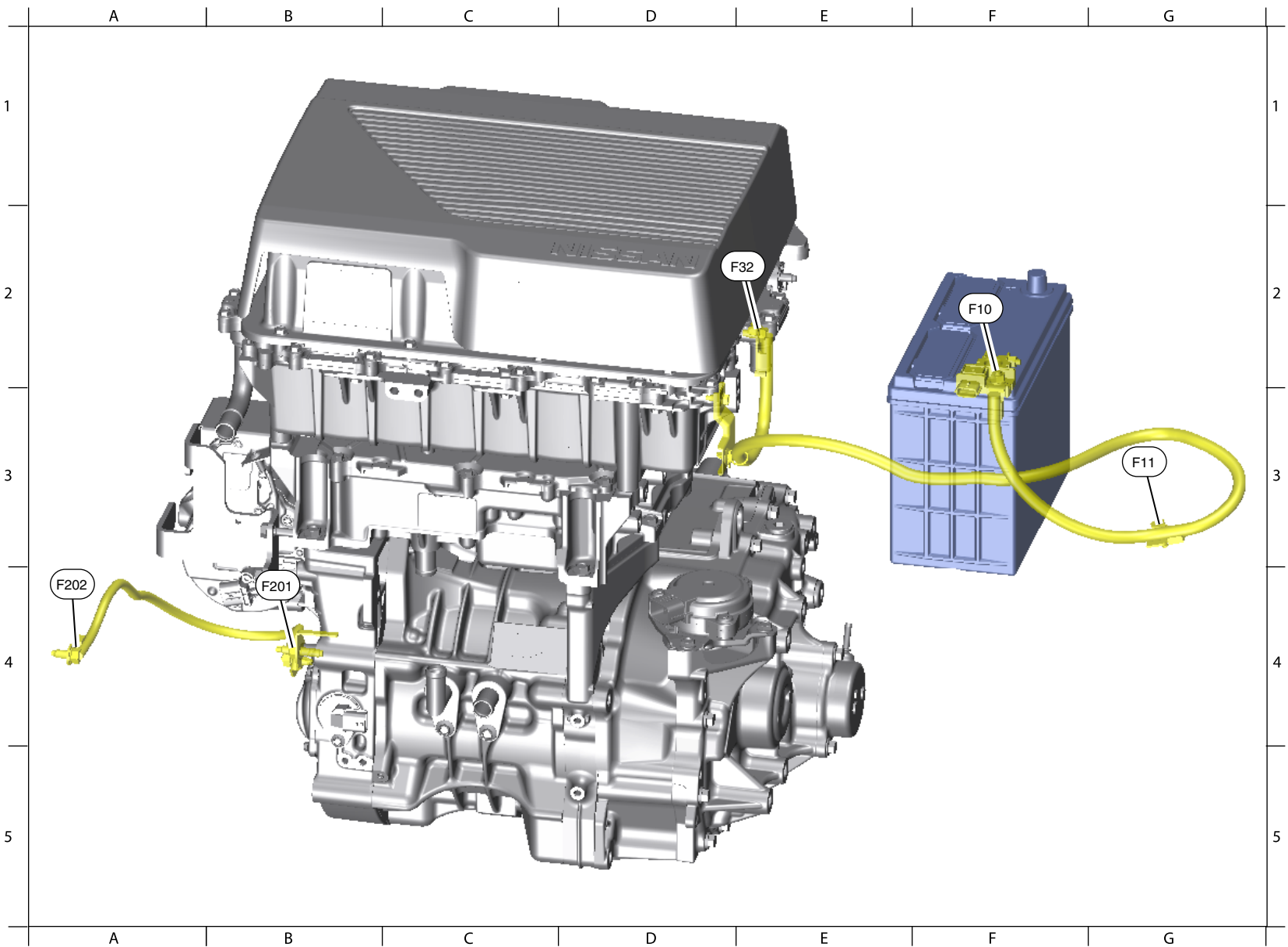
MOTOR CONTROL HARNESS - REAR VIEW (WITH HEAT PUMP)



MOTOR CONTROL HARNESS - REAR VIEW (WITH HEAT PUMP)

D4	F12	GR/2	: COOLANT TEMPERATURE SENSOR	F5	F20	B/6	: ELECTRIC COMPRESSOR (WITH HEAT PUMP)
D4	F13	GR/22	: TRACTION MOTOR INVERTER	E3	F23	G/36	: PDM (POWER DELIVERY MODULE)

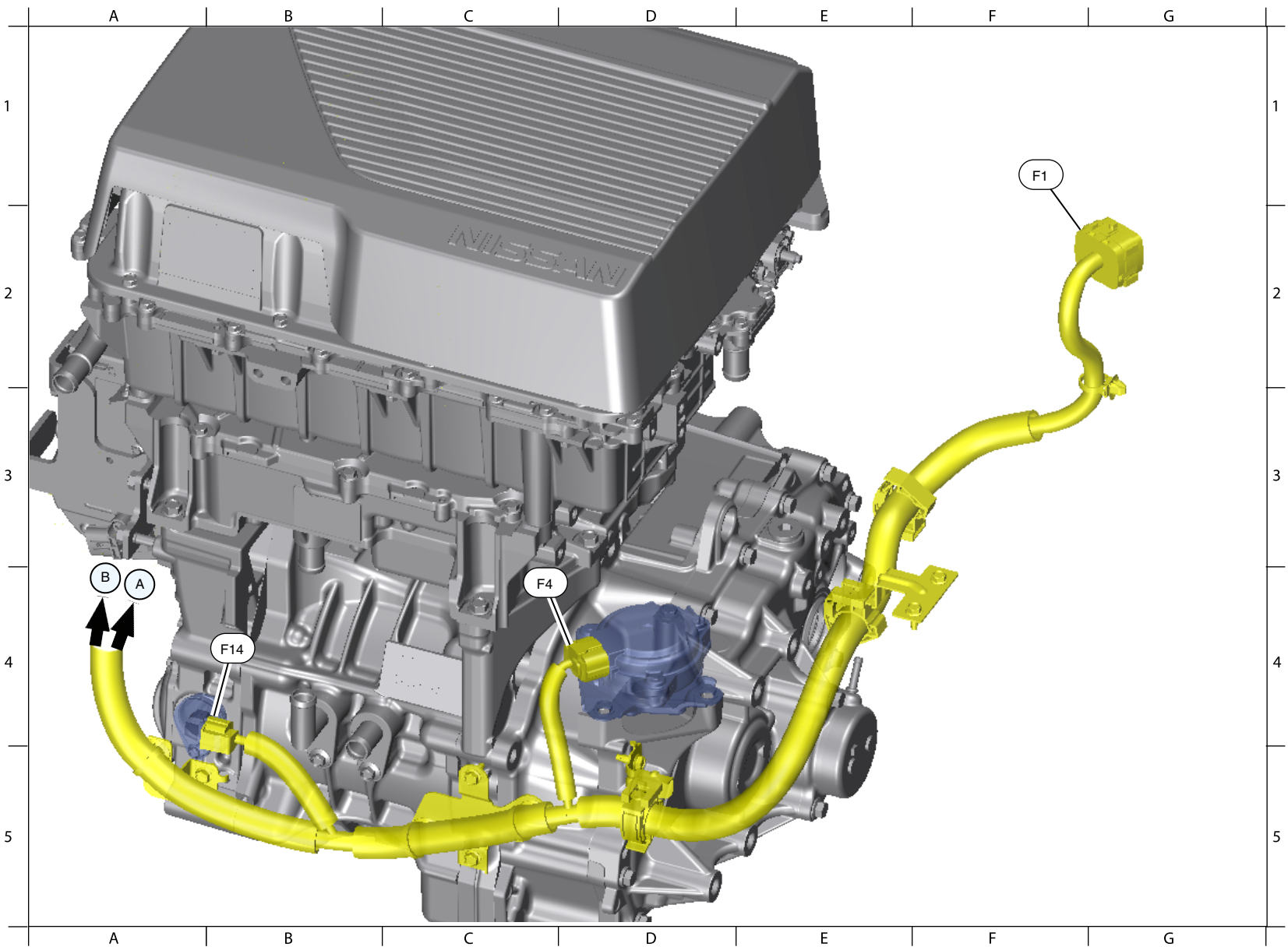
BATTERY CABLE



BATTERY CABLE

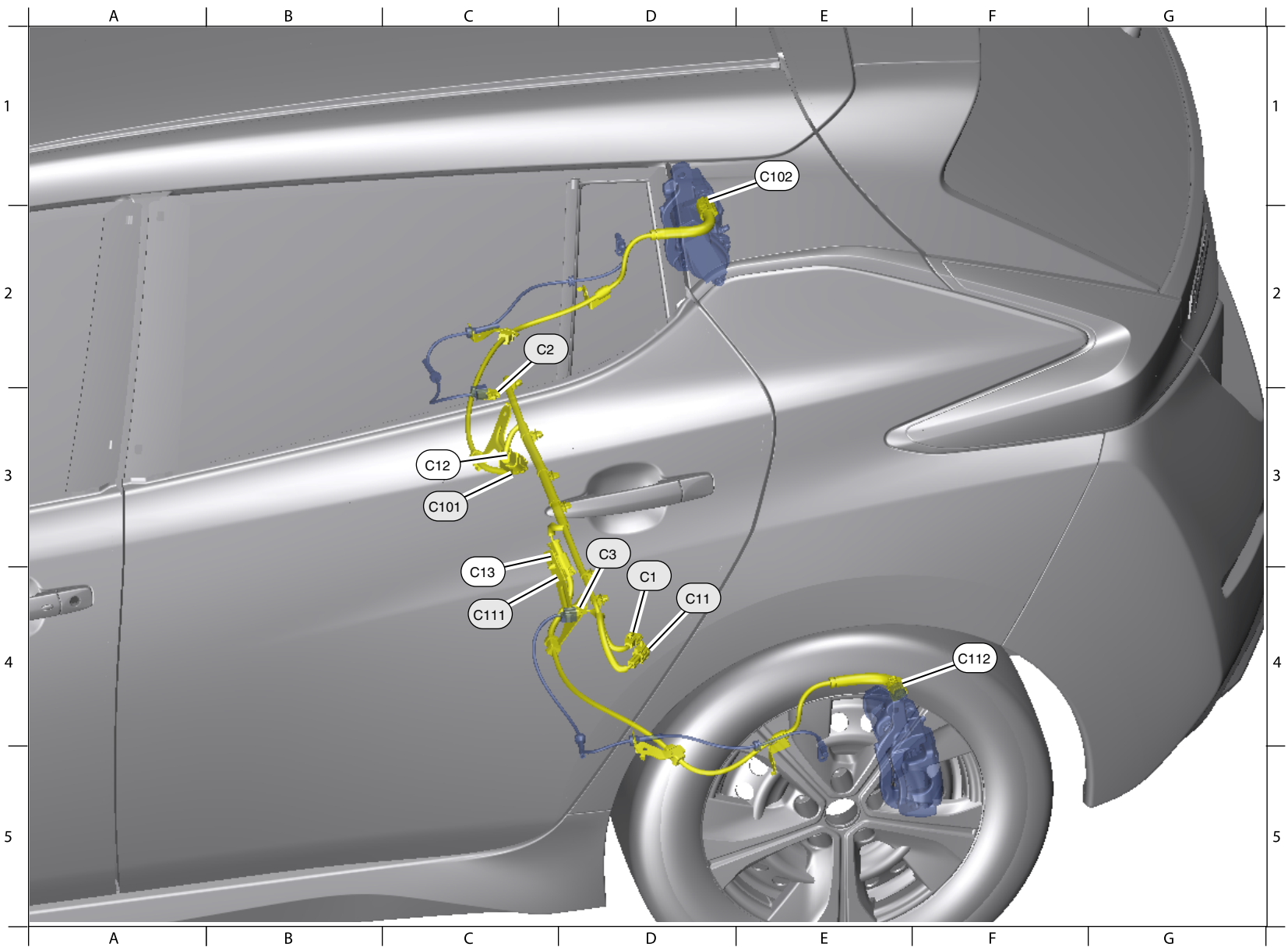
F3	F10	-/1	: BATTERY GROUND	B4	F201	-/1	: MOTOR GROUND
G4	F11	-/1	: BODY GROUND	A4	F202	-/1	: BODY GROUND
D2	F32	-/1	: PDM (POWER DELIVERY MODULE)				

MOTOR CONTROL HARNESS - FRONT VIEW



MOTOR CONTROL HARNESS - FRONT VIEW

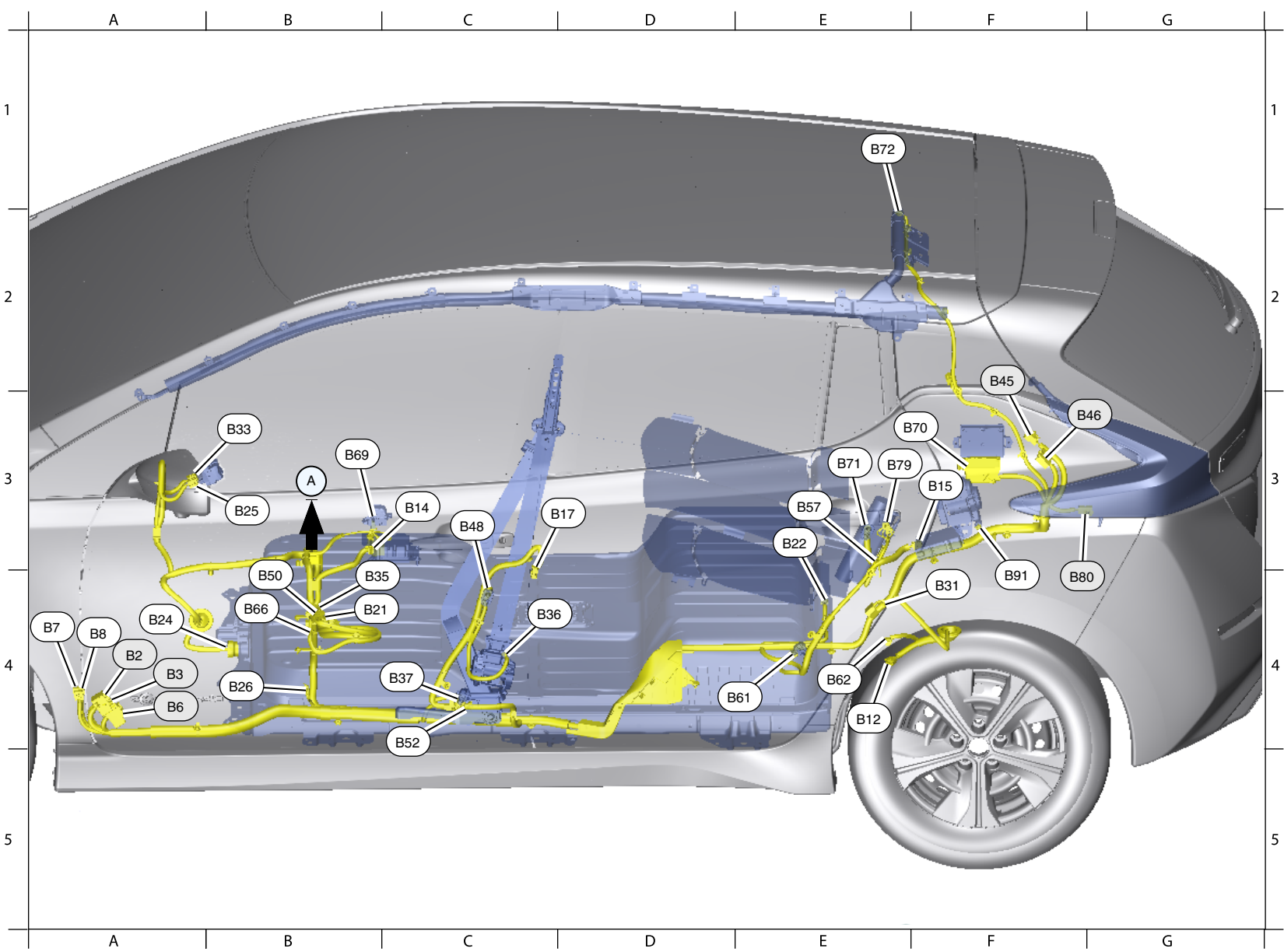
F1	F1	B/48	: TO E8	B4	F14	B/8	: TRACTION MOTOR
C4	F4	B/10	: PARKING ACTUATOR				



CHASSIS HARNESS

D4	C1	B/4	: TO B12	ELECTRIC PARKING BRAKE SUB-HARNESS RH			
C2	C2	GR/2	: REAR WHEEL SENSOR RH	C3	C101	B/2	: TO C12
D3	C3	GR/2	: REAR WHEEL SENSOR LH	E1	C102	B/2	: PARKING BRAKE ACTUATOR RH
D4	C11	B/4	: TO B62	ELECTRIC PARKING BRAKE SUB-HARNESS LH			
C3	C12	B/2	: TO C101	C4	C111	B/2	: TO C13
C4	C13	B/2	: TO C111	F4	C112	B/2	: PARKING BRAKE ACTUATOR LH

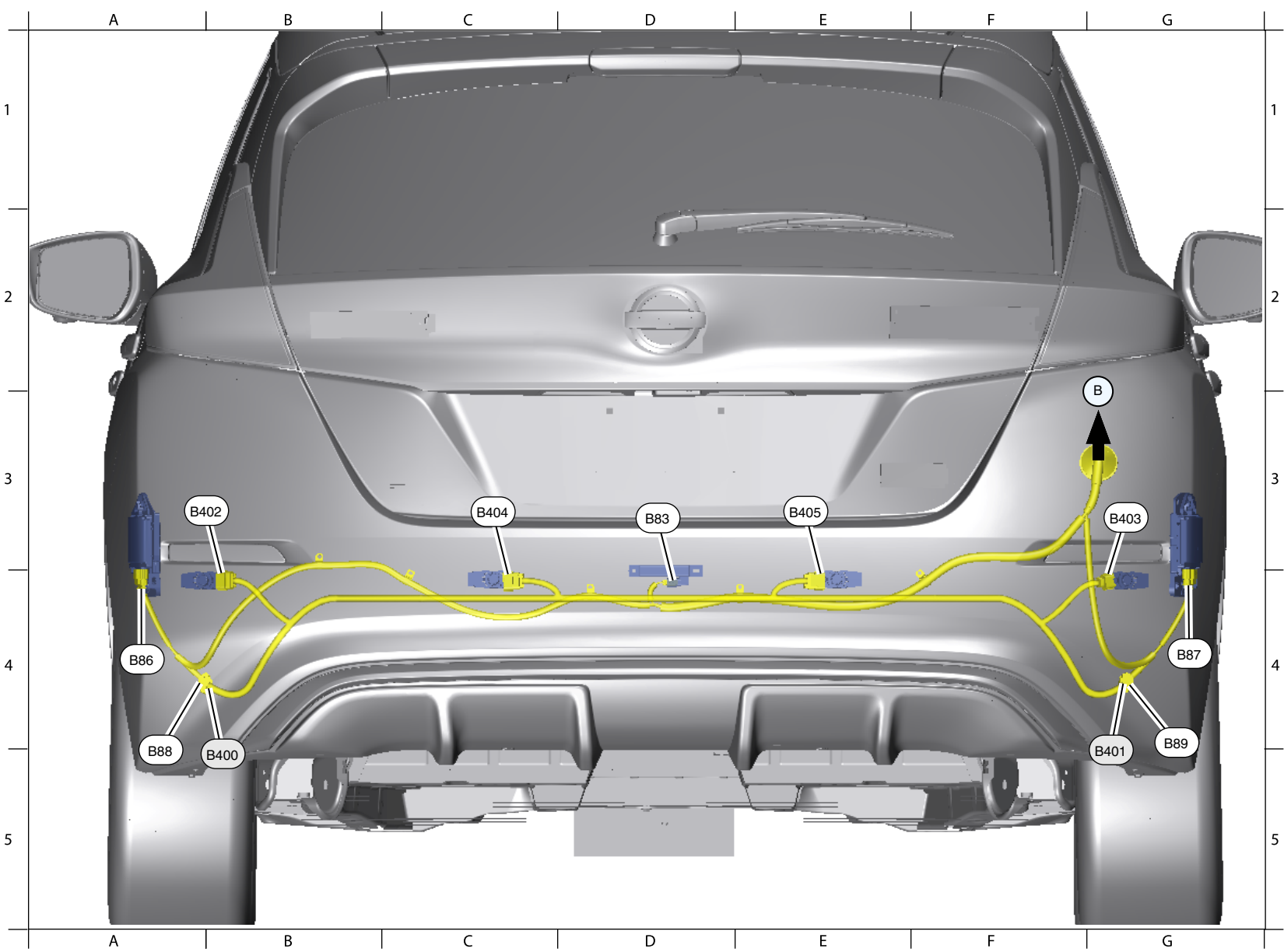
BODY HARNESS - LH VIEW



BODY HARNESS - LH VIEW

A4	B2	W/16	: TO M19	C4	B37	B/2	: FRONT SIDE AIR BAG SATELLITE SENSOR LH
A4	B3	W/16	: TO M21	G2	B45	W/4	: TO D568
A4	B6	W/2	: TO M89	G2	B46	W/20	: TO D569
A4	B7	W/32	: TO E107	C3	B48	W/4	: FRONT DOOR SWITCH LH
A4	B8	W/8	: TO E108	B4	B50	W/3	: SEAT BELT BUCKLE SWITCH LH (WITHOUT DRIVER POWER SEAT)
E4	B12	B/4	: TO B201	C4	B52	O/2	: FRONT LH SEAT BELT PRE-TENSIONER
C3	B14	W/33	: AIR BAG DIAGNOSIS SENSOR UNIT	E3	B57	Y/2	: REAR LH SIDE AIR BAG MODULE
F3	B15	W/6	: BRAKE POWER SUPPLY BACKUP UNIT	E4	B61	B/2	: REAR SIDE AIR BAG SATELLITE SENSOR LH
D3	B17	W/12	: TO D201	E4	B62	B/4	: TO B205
B4	B21	W/4	: FRONT SEAT HEATER LH (WITHOUT DRIVER POWER SEAT)	B4	B66	W/8	: TO B250
E3	B22	W/3	: REAR SEAT HEATER	B3	B69	W/12	: ELECTRIC PARKING BRAKE SWITCH
A4	B24	G/36	: LI-ION BATTERY	F3	B70	B/30	: ELECTRIC PARKING BRAKE CONTROL MODULE
B3	B25	W/6	: FRONT HEATED SEAT SWITCH LH	E3	B71	W/4	: REAR DOOR SWITCH LH
B4	B26	-	: BODY GROUND	E1	B72	Y/2	: LH SIDE CURTAIN AIR BAG MODULE
F4	B31	G/20	: JOINT CONNECTOR-B03	E3	B79	-	: BODY GROUND
B3	B33	BR/6	: FRONT HEATED SEAT SWITCH RH	G3	B80	W/6	: REAR COMBINATION LAMP LH
B4	B35	Y/2	: FRONT LH SIDE AIR BAG MODULE	F4	B91	Y/2	: REAR LH SEAT BELT PRE-TENSIONER (SHOULDER BELT)
C4	B36	Y/2	: FRONT LH SEAT BELT PRE-TENSIONER				

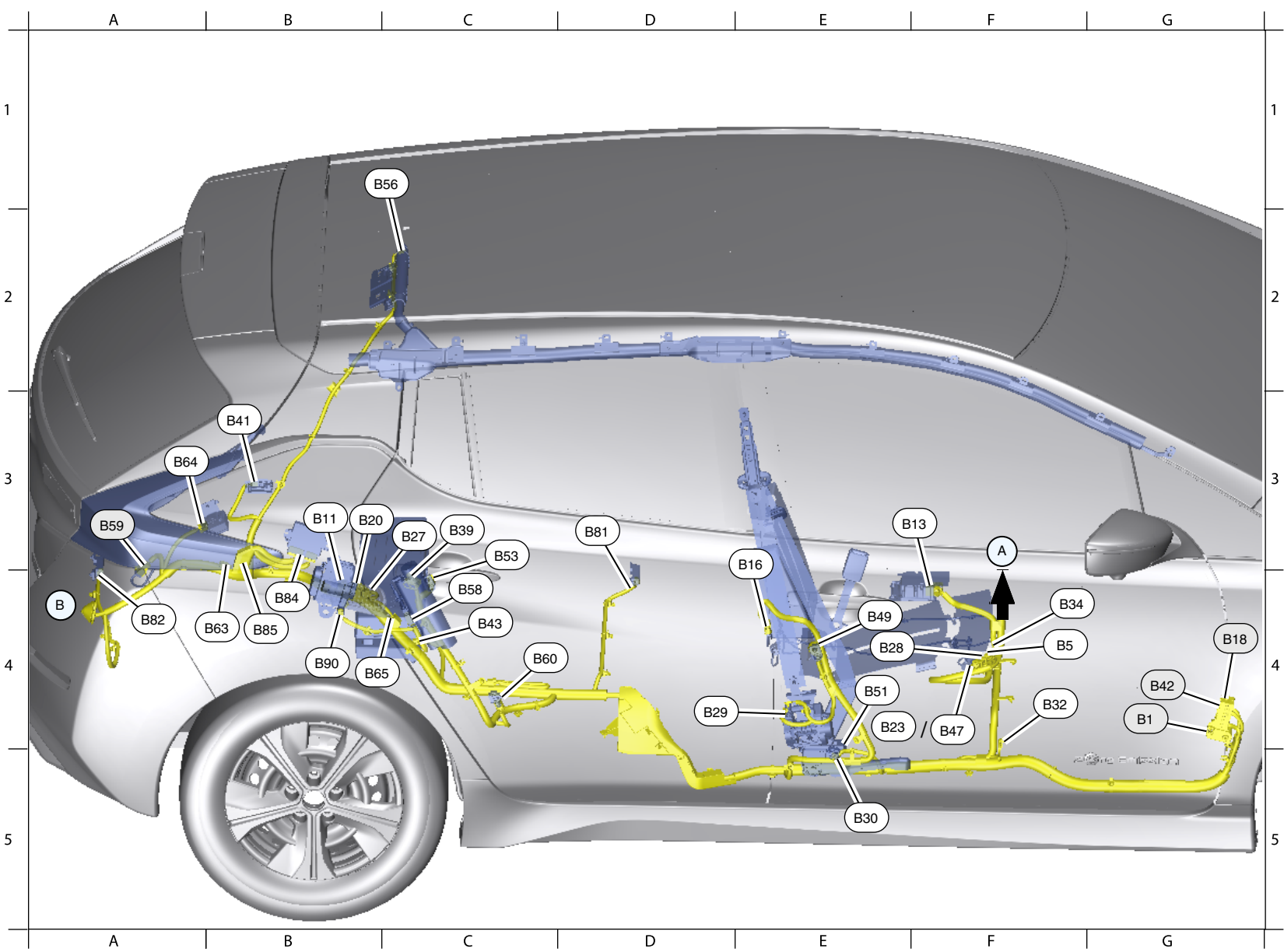
BODY HARNESS - REAR VIEW



BODY HARNESS - REAR VIEW

D3	B83	L/2	: OUTSIDE KEY ANTENNA (REAR BUMPER)	B5	B400	B/6	: TO B88
A4	B86	B/8	: SIDE RADAR LH	G5	B401	B/8	: TO B89
G4	B87	B/8	: SIDE RADAR RH	B3	B402	B/3	: REAR SONAR SENSOR LH OUTER
A5	B88	B/6	: TO B400	G3	B403	B/3	: REAR SONAR SENSOR RH OUTER
G4	B89	B/8	: TO B401	C3	B404	B/3	: REAR SONAR SENSOR LH INNER
REAR SONAR SUB-HARNESS				E3	B405	B/3	: REAR SONAR SENSOR RH INNER

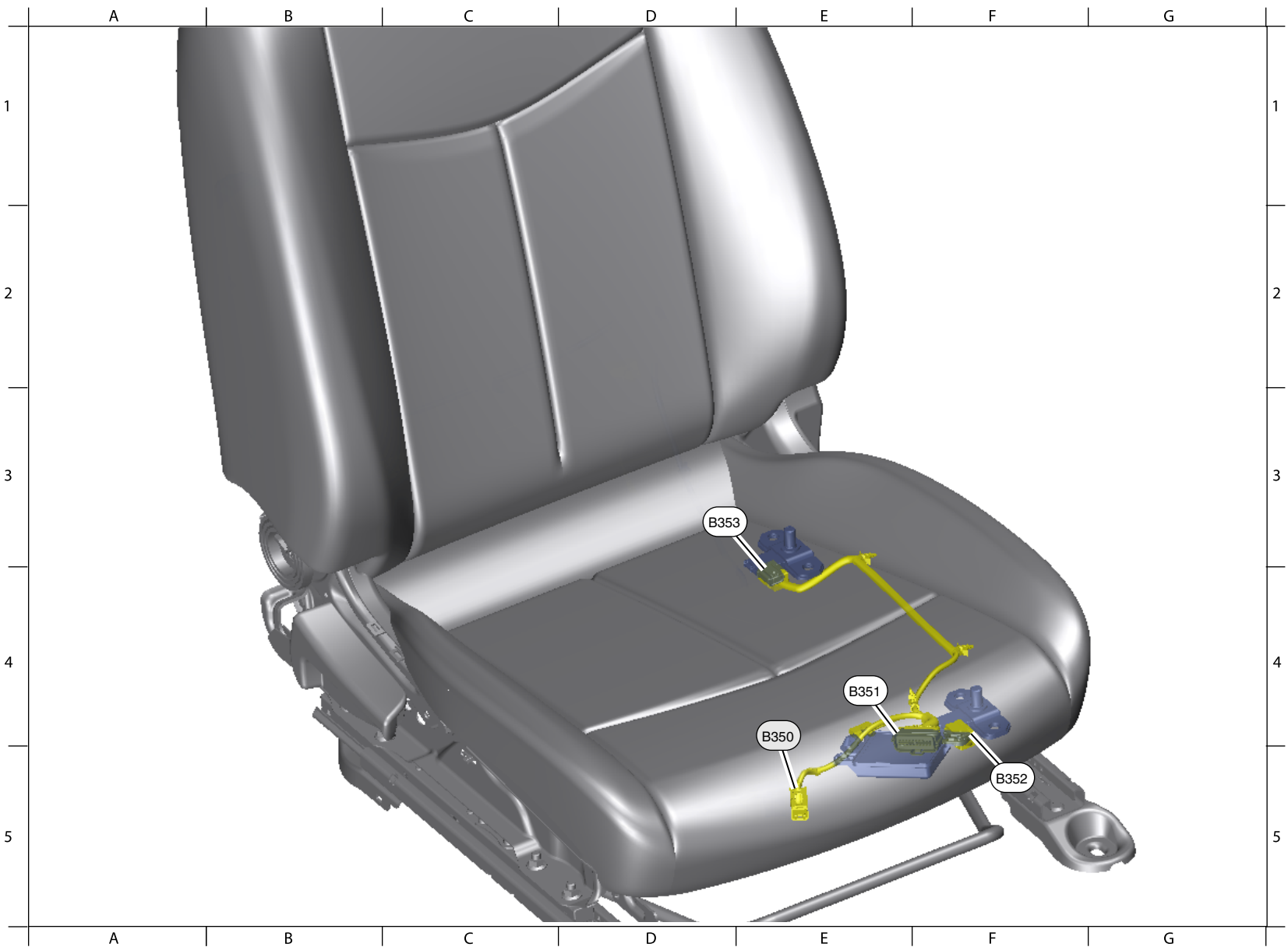
BODY HARNESS - RH VIEW



BODY HARNESS - RH VIEW

G4	B1	W/16	: TO M18	F4	B47	W/8	: FRONT SEAT HEATER RH (WITHOUT REAR HEATED SEATS)
F4	B5	W/4	: TO B350	E4	B49	W/4	: FRONT DOOR SWITCH RH
B3	B11	B/8	: BOSE SPEAKER AMP.	E4	B51	O/2	: FRONT RH SEAT BELT PRE-TENSIONER
F3	B13	B/33	: AIR BAG DIAGNOSIS SENSOR UNIT	C3	B53	W/4	: REAR DOOR SWITCH RH
E3	B16	W/12	: TO D301	C1	B56	Y/2	: RH SIDE CURTAIN AIR BAG MODULE
G4	B18	W/40	: TO M81	C4	B58	Y/2	: REAR RH SIDE AIR BAG MODULE
B3	B20	B/16	: BOSE SPEAKER AMP.	A3	B59	W/6	: REAR COMBINATION LAMP RH
E4	B23	W/8	: FRONT SEAT HEATER RH (WITH REAR HEATED SEATS)	C4	B60	B/2	: REAR SIDE AIR BAG SATELLITE SENSOR RH
C3	B27	B/16	: BOSE SPEAKER AMP.	B4	B63	B/3	: CAN TERMINATOR 2 (ITS CAN COMMUNICATION)
E4	B28	Y/2	: FRONT RH SIDE AIR BAG MODULE	A3	B64	W/24	: CHASSIS CONTROL MODULE
D4	B29	Y/2	: FRONT RH SEAT BELT PRE-TENSIONER	B4	B65	L/20	: JOINT CONNECTOR-B01
E5	B30	B/2	: FRONT SIDE AIR BAG SATELLITE SENSOR RH	D3	B81	L/2	: INSIDE KEY ANTENNA (REAR SEAT)
F4	B32	-	: BODY GROUND	A4	B82	L/2	: INSIDE KEY ANTENNA (LUGGAGE ROOM)
F4	B34	W/3	: SEAT BELT BUCKLE SWITCH RH	A3	B83	L/2	: OUTSIDE KEY ANTENNA (REAR BUMPER)
C3	B39	-	: BODY GROUND	B4	B84	W/24	: SONAR CONTROL UNIT
B3	B41	W/4	: LUGGAGE ROOM LAMP	B4	B85	GR/24	: JOINT CONNECTOR-B02
G4	B42	W/24	: TO M22	B4	B90	Y/2	: REAR RH SEAT BELT PRE-TENSIONER (SHOULDER BELT)
C4	B43	GR/2	: SUBWOOFER				

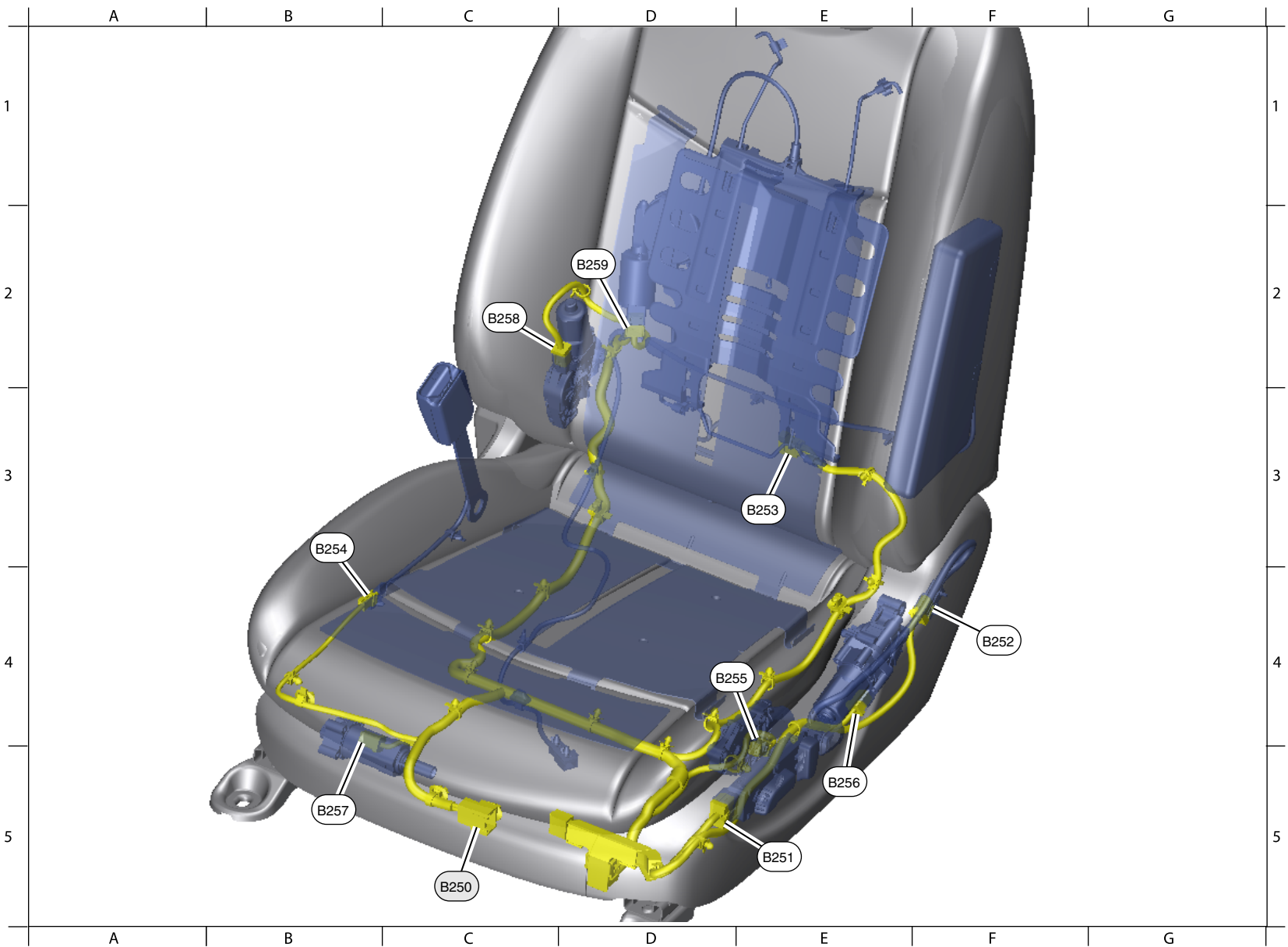
FRONT SEAT RH HARNESS



FRONT SEAT RH HARNESS

E4	B350	W/4	: TO B5	F5	B352	B/3	: OCCUPANT CLASSIFICATION SYSTEM SENSOR (FRONT INNER)
E4	B351	B/10	: OCCUPANT CLASSIFICATION SYSTEM CONTROL UNIT	D3	B353	B/3	: OCCUPANT CLASSIFICATION SYSTEM SENSOR (REAR INNER)

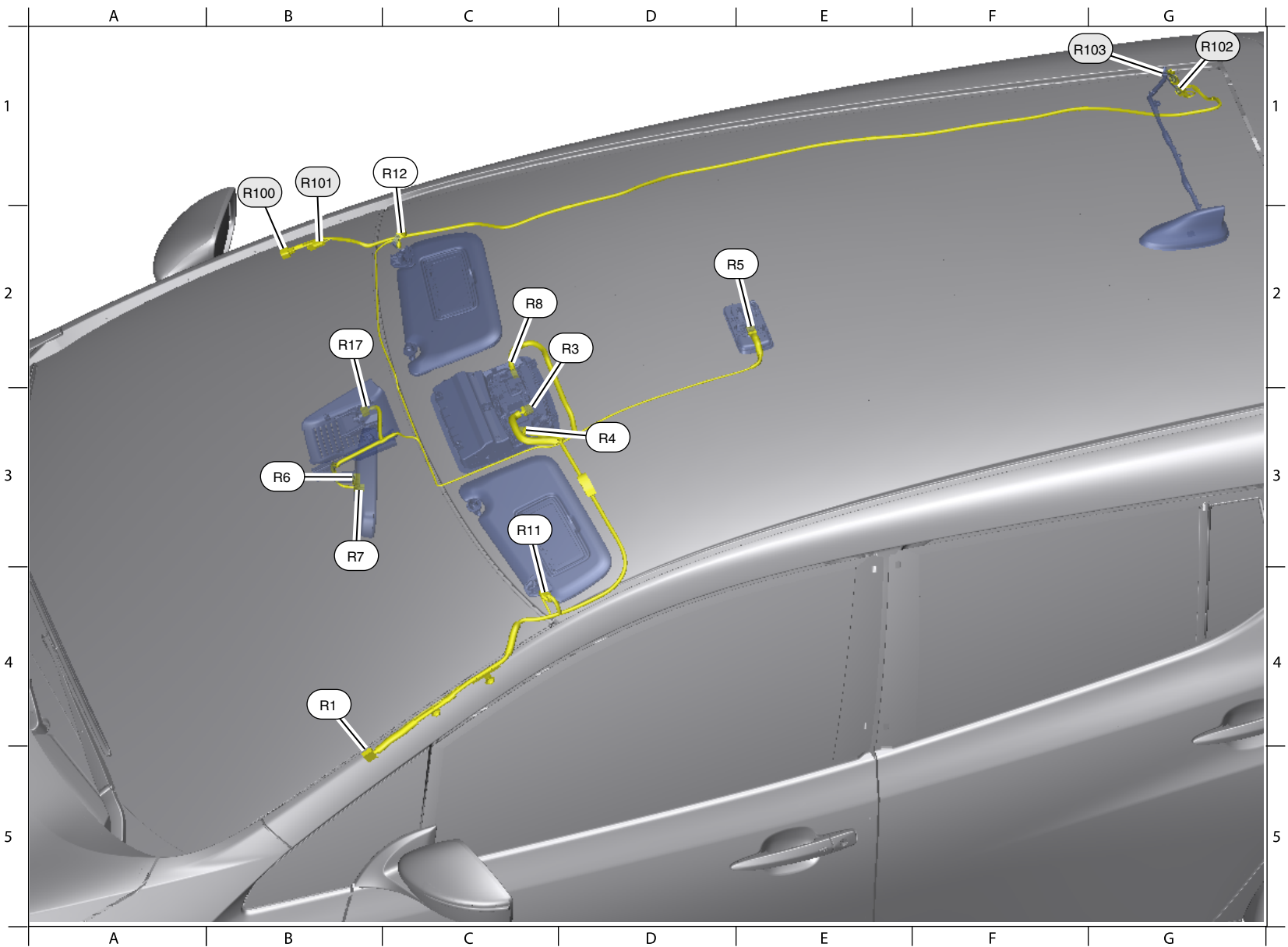
FRONT SEAT LH HARNESS



FRONT SEAT LH HARNESS

C5	B250	W/8	: TO B66	D4	B255	B/6	: LIFTING MOTOR (FRONT)
E5	B251	W/10	: POWER SEAT SWITCH LH	E5	B256	B/6	: LIFTING MOTOR (REAR)
F4	B252	W/4	: LUMBAR SUPPORT SWITCH	B5	B257	B/6	: SLIDING MOTOR
E3	B253	W/4	: FRONT SEAT HEATER LH (WITH DRIVER POWER SEAT)	C2	B258	B/6	: RECLINING MOTOR
B3	B254	W/3	: SEAT BELT BUCKLE SWITCH LH (WITH DRIVER POWER SEAT)	D2	B259	B/2	: LUMBAR SUPPORT MOTOR

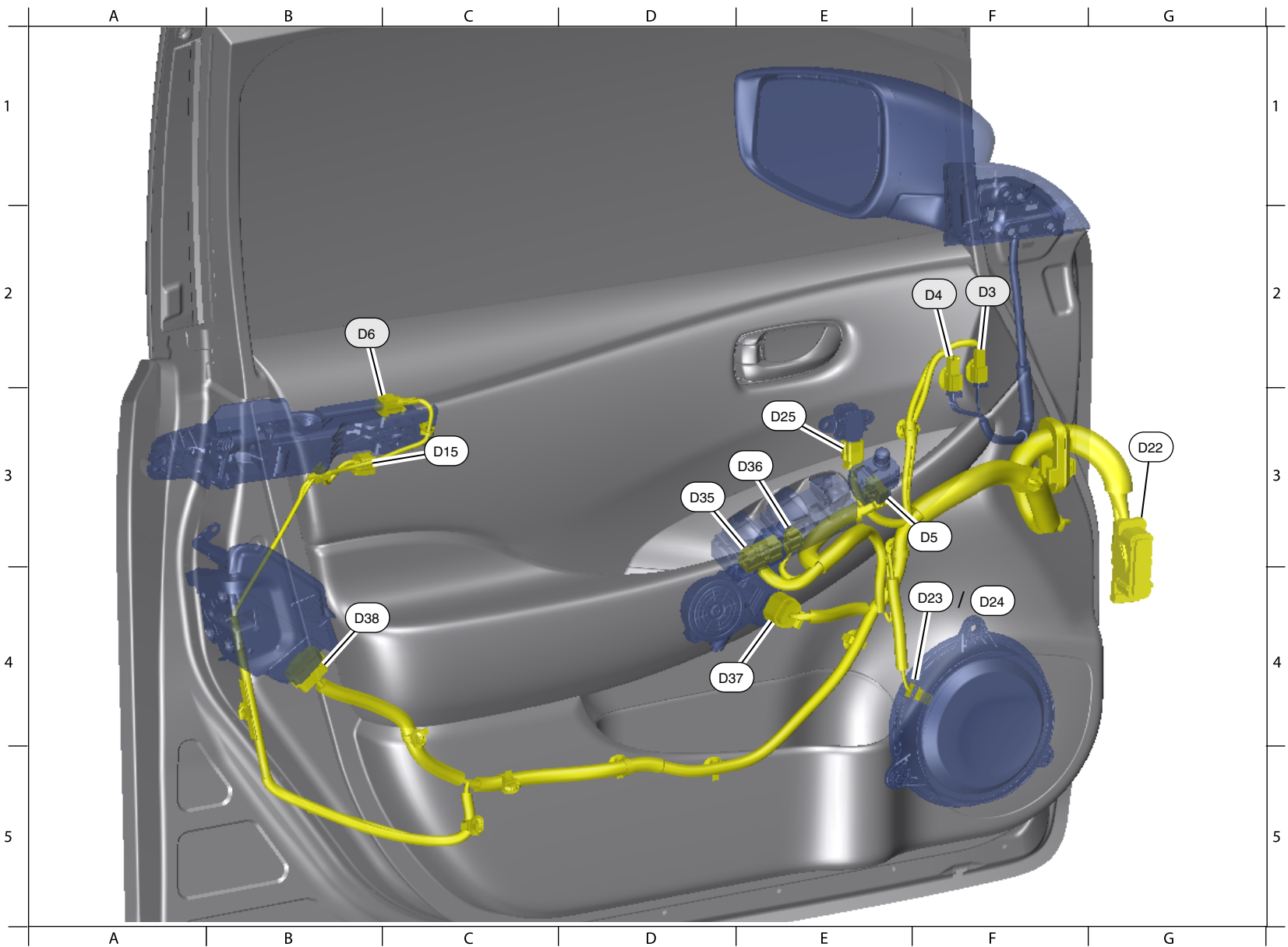
ROOM LAMP HARNESS



ROOM LAMP HARNESS

B4	R1	W/24	: TO M73	C3	R11	W/2	: VANITY MIRROR LAMP LH
D2	R3	W/6	: MICROPHONE	C1	R12	W/2	: VANITY MIRROR LAMP RH
D3	R4	W/8	: MAP LAMP	B2	R17	B/12	: LANE CAMERA UNIT
E2	R5	W/3	: ROOM LAMP	B1	R100	GR/3	: TO M150
B3	R6	B/7	: AUTO ANTI-DAZZLING INSIDE MIRROR (WITHOUT HOMELINK® UNIVERSAL TRANSCEIVER)	B1	R101	BR/2	: TO M151
B3	R7	B/10	: AUTO ANTI-DAZZLING INSIDE MIRROR (WITH HOMELINK® UNIVERSAL TRANSCEIVER)	G1	R102	GR/3	: ANTENNA BASE
C2	R8	W/8	: TELEMATICS SWITCH	G1	R103	G/2	: ANTENNA BASE

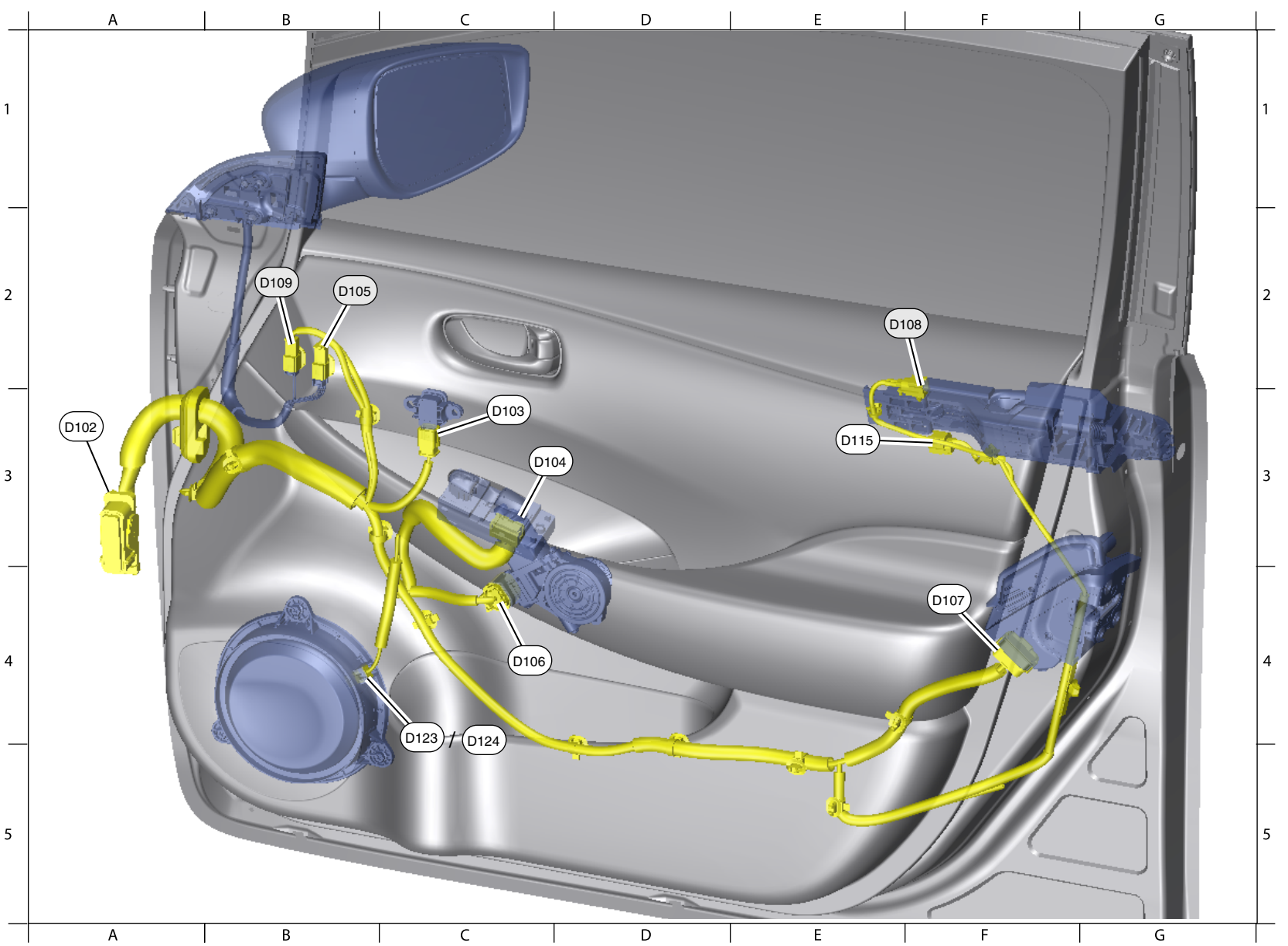
FRONT DOOR LH HARNESS



FRONT DOOR LH HARNESS

F2	D3	W/4	: DOOR MIRROR LH	F4	D24	BR/2	: FRONT DOOR SPEAKER LH (WITH BOSE AUDIO SYSTEM)
F2	D4	W/8	: DOOR MIRROR LH	E3	D25	Y/2	: FRONT DOOR SATELLITE SENSOR LH
F3	D5	W/16	: DOOR MIRROR REMOTE CONTROL SWITCH	D3	D35	W/16	: MAIN POWER WINDOW AND DOOR LOCK/UNLOCK SWITCH
B2	D6	L/2	: FRONT OUTSIDE HANDLE LH (OUTSIDE KEY ANTENNA)	E3	D36	W/3	: MAIN POWER WINDOW AND DOOR LOCK/UNLOCK SWITCH
C3	D15	B/2	: FRONT OUTSIDE HANDLE LH (REQUEST SWITCH)	D4	D37	G/6	: FRONT POWER WINDOW MOTOR LH
G3	D22	W/55	: TO M11	B4	D38	GR/6	: FRONT DOOR LOCK ASSEMBLY LH
F4	D23	W/2	: FRONT DOOR SPEAKER LH (WITHOUT BOSE AUDIO SYSTEM)				

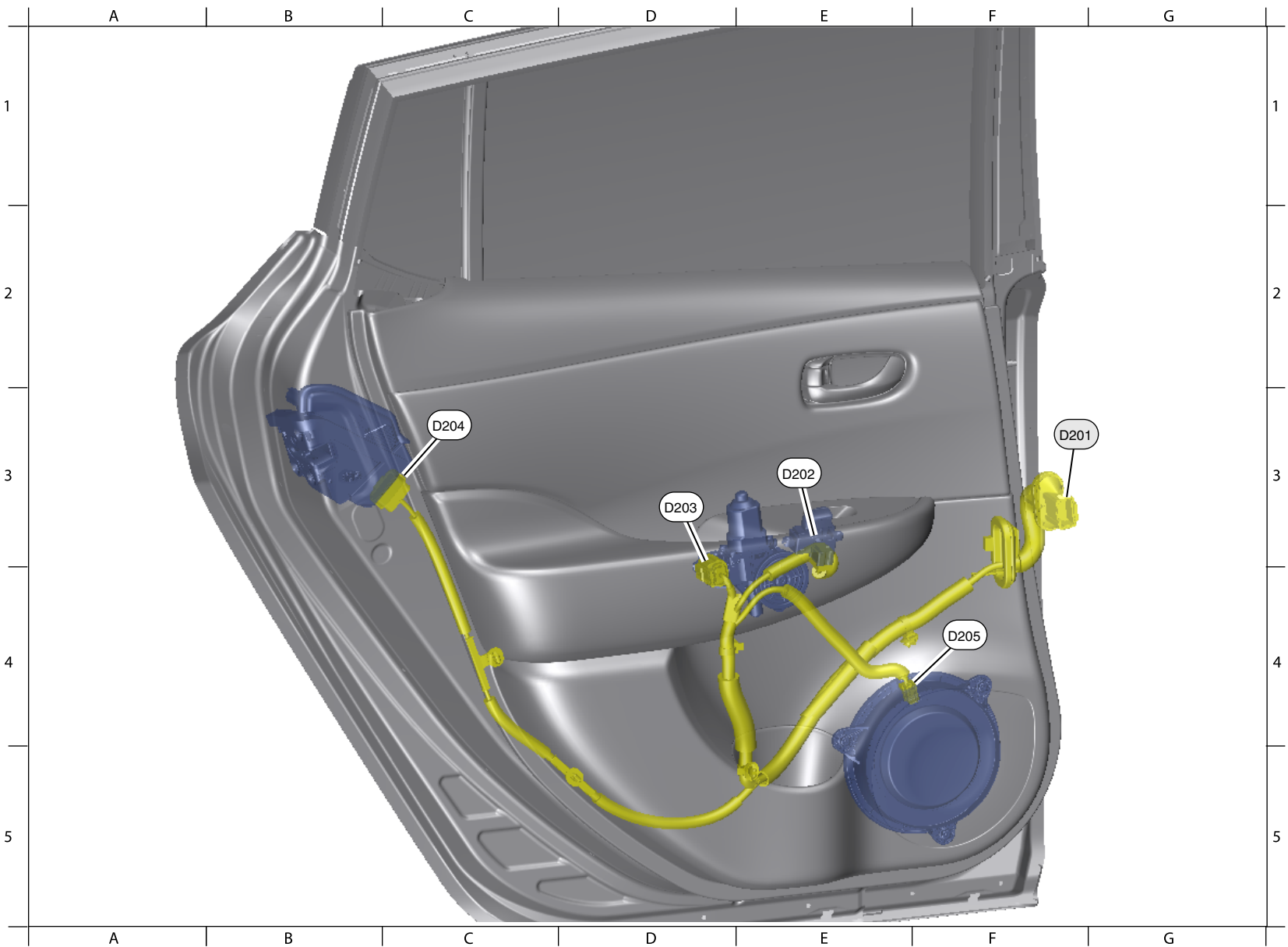
FRONT DOOR RH HARNESS



FRONT DOOR RH HARNESS

A3	D102	W/55	: TO M10	F2	D108	L/2	: FRONT OUTSIDE HANDLE RH (OUTSIDE KEY ANTENNA)
C3	D103	Y/2	: FRONT DOOR SATELLITE SENSOR RH	B2	D109	W/4	: DOOR MIRROR RH
C3	D104	W/12	: POWER WINDOW AND DOOR LOCK/UNLOCK SWITCH RH	E3	D115	B/2	: FRONT OUTSIDE HANDLE RH (REQUEST SWITCH)
B2	D105	W/8	: DOOR MIRROR RH	C4	D123	W/2	: FRONT DOOR SPEAKER RH (WITHOUT BOSE AUDIO SYSTEM)
C4	D106	G/6	: FRONT POWER WINDOW MOTOR RH	C4	D124	BR/2	: FRONT DOOR SPEAKER RH (WITH BOSE AUDIO SYSTEM)
F4	D107	GR/6	: FRONT DOOR LOCK ACTUATOR RH				

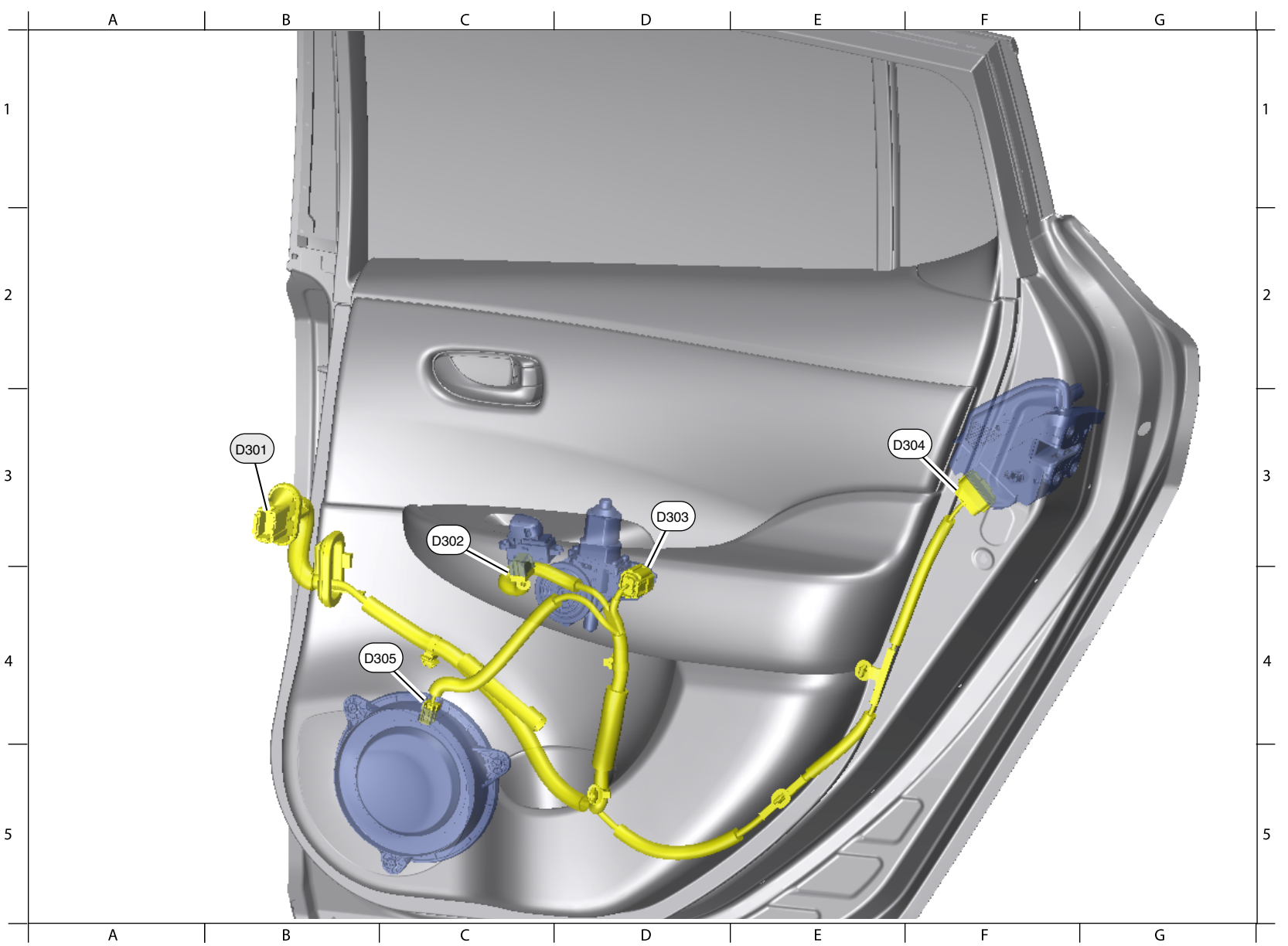
REAR DOOR LH HARNESS



REAR DOOR LH HARNESS

F3	D201	W/12	: TO B17	C3	D204	GR/6	: REAR DOOR LOCK ACTUATOR LH
E3	D202	W/5	: REAR POWER WINDOW SWITCH LH	F4	D205	W/2	: REAR DOOR SPEAKER LH
D3	D203	G/6	: REAR POWER WINDOW MOTOR LH				

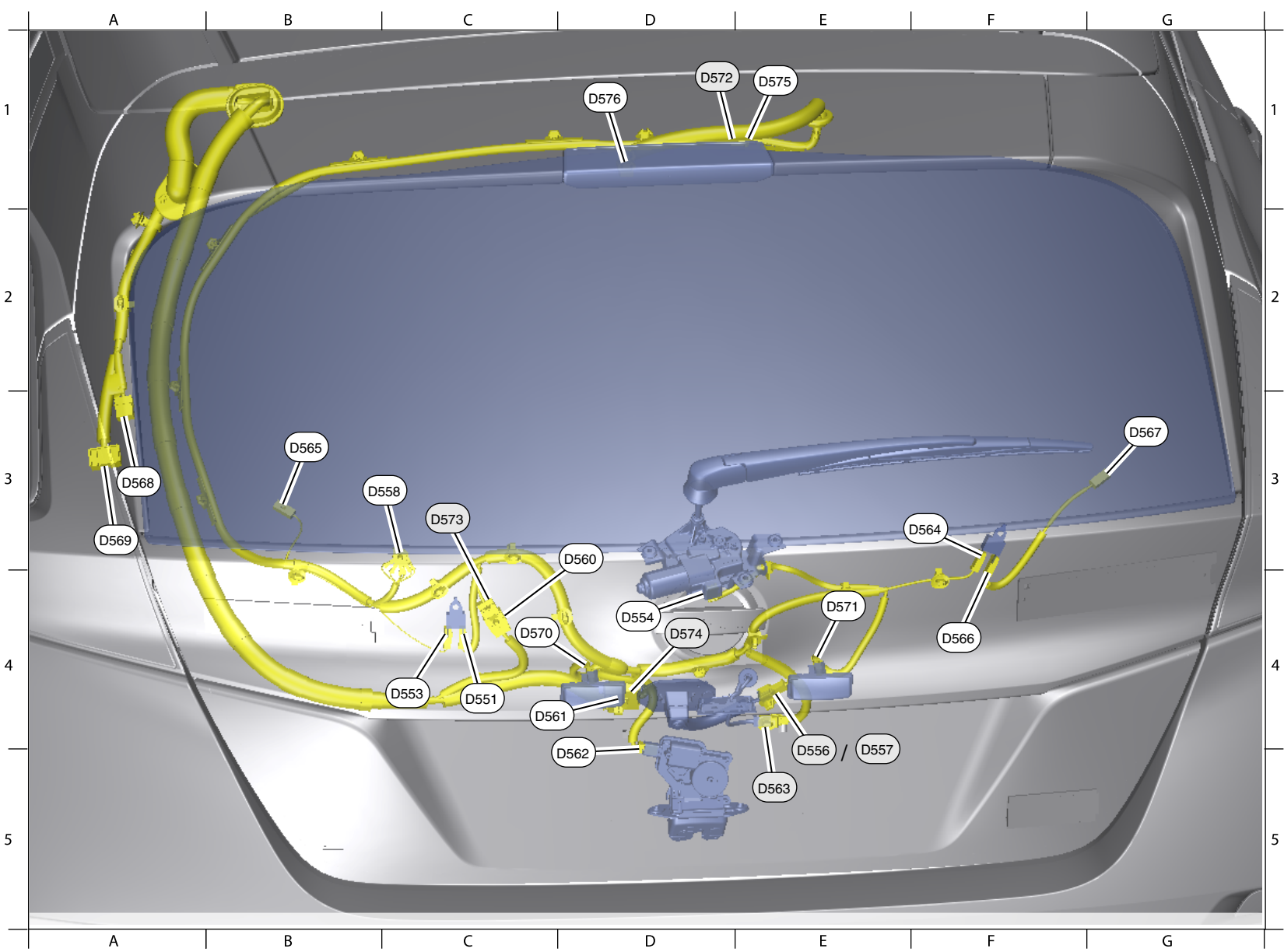
REAR DOOR RH HARNESS



REAR DOOR RH HARNESS

B3	D301	W/12	: TO B16	F3	D304	GR/6	: REAR DOOR LOCK ACTUATOR RH
C3	D302	W/5	: REAR POWER WINDOW SWITCH RH	C4	D305	W/2	: REAR DOOR SPEAKER RH
D3	D303	G/6	: REAR POWER WINDOW MOTOR RH				

BACK DOOR HARNESS



BACK DOOR HARNESS

C4	D551	B/1	: CONDENSER-2	F4	D566	B/1	: CONDENSER-1
C4	D553	B/1	: CONDENSER-2	G3	D567	B/1	: REAR WINDOW DEFOGGER
D4	D554	W/3	: REAR WIPER MOTOR	C4	D568	W/4	: TO B45
E5	D556	W/4	: REAR VIEW CAMERA	C4	D569	W/20	: TO B46
E5	D557	W/8	: REAR CAMERA	C4	D570	BR/2	: LICENSE PLATE LAMP LH
C3	D558	-	: BODY GROUND	E4	D571	BR/2	: LICENSE PLATE LAMP RH
D3	D560	W/4	: TO D573	D1	D572	W/4	: TO D575
C4	D561	W/20	: TO D574	C3	D573	W/4	: TO D560
D5	D562	W/4	: BACK DOOR LOCK ASSEMBLY	D4	D574	W/20	: TO D561
E5	D563	GR/4	: BACK DOOR OPENER ASSEMBLY	STOP LAMP SUB-HARNESS			
F3	D564	B/1	: CONDENSER-1	E1	D575	W/4	: TO D572
B3	D565	B/1	: REAR WINDOW DEFOGGER	D1	D576	B/2	: HIGH-MOUNTED STOP LAMP