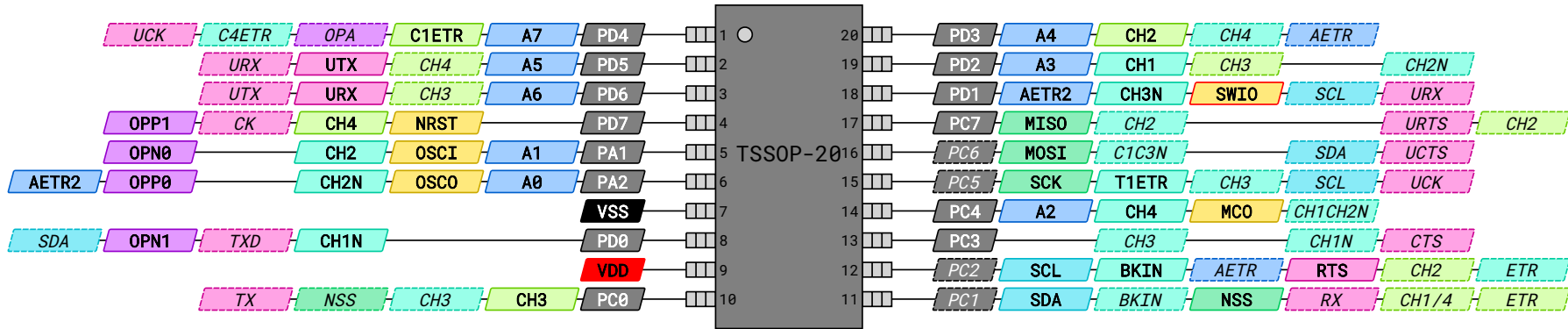


CH32V003F4P6

TSSOP-20 4.4x6.5mm
0.65mm Pitch



UART UART
I2C I2C
SPI SPI
ADC ADC

SYS SYSTEM
TIM1 TIMER 1
TIM2 TIMER 2
OPA OP AMP

PIN PIN NAME
SWD SWIO
VSS GND
VDD 3.3V/5V

FUNC Default Function
FUNC Alternate Function

NOTE:
If VDD is 3.3V: PC1, PC2, PC5 and PC6 are 5V tolerant