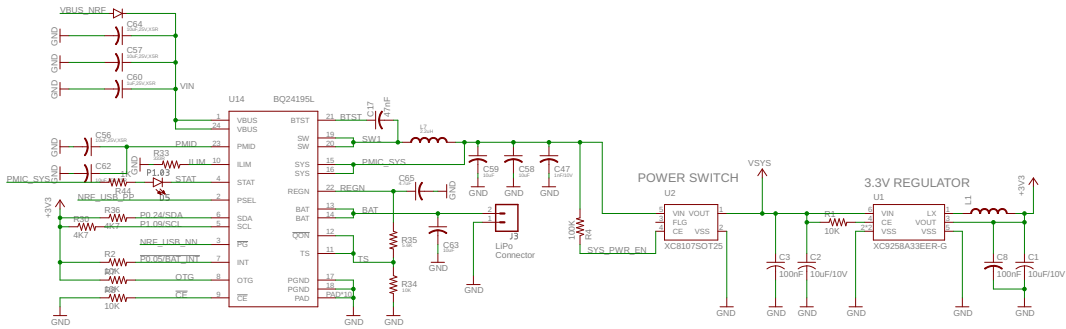
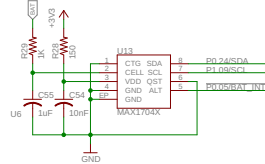


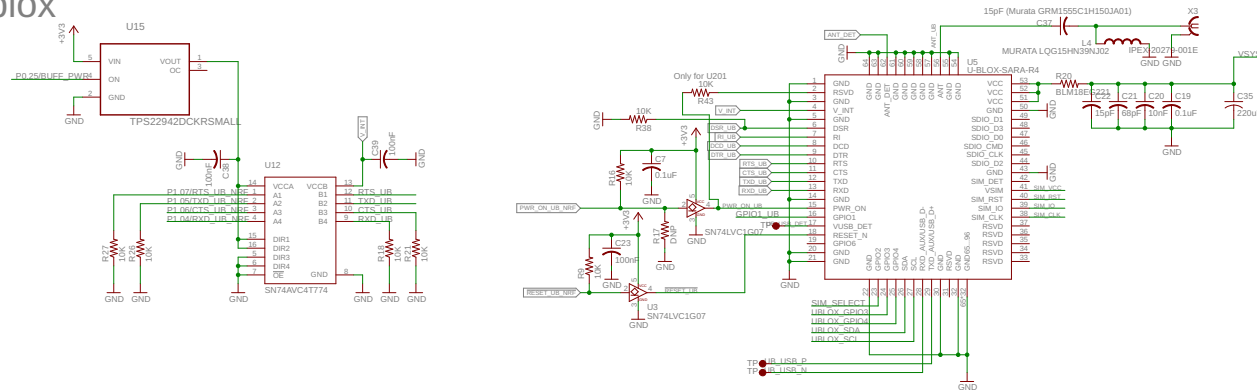
# Power



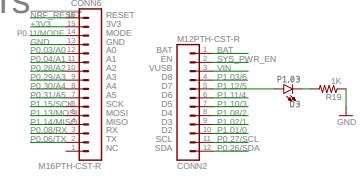
# Fuel Gauge



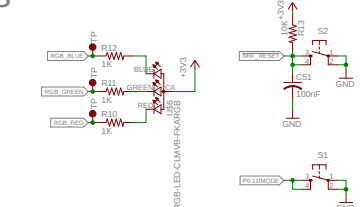
# u-blox



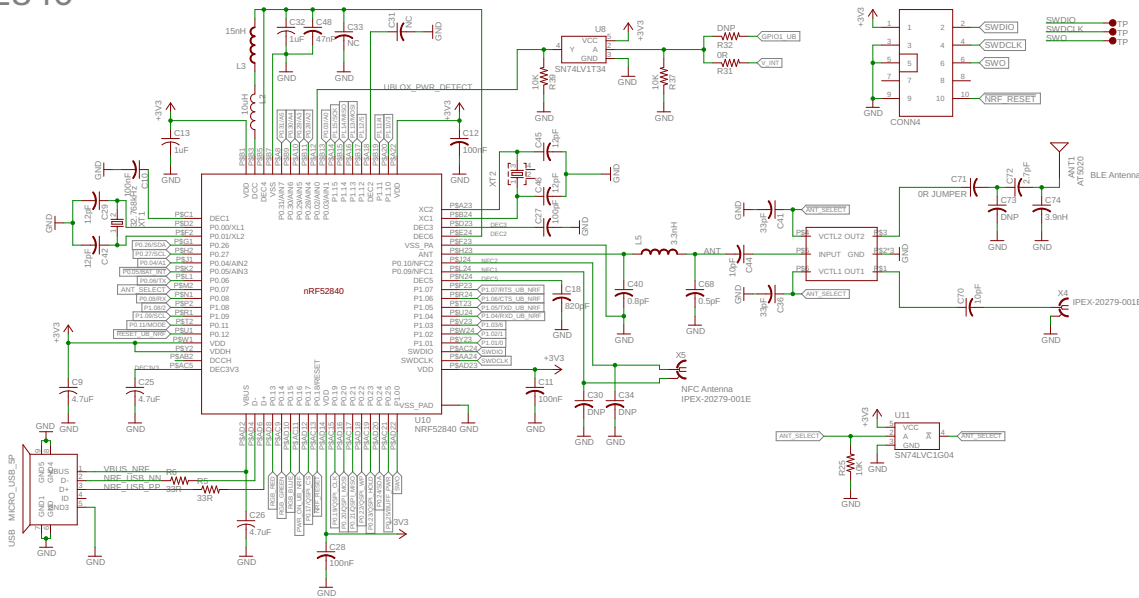
# Headers



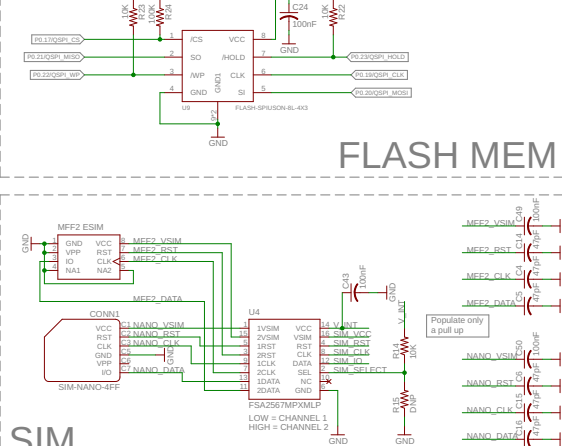
# LED and Buttons



# nrF52840



# FLASH MEM



# SIM

