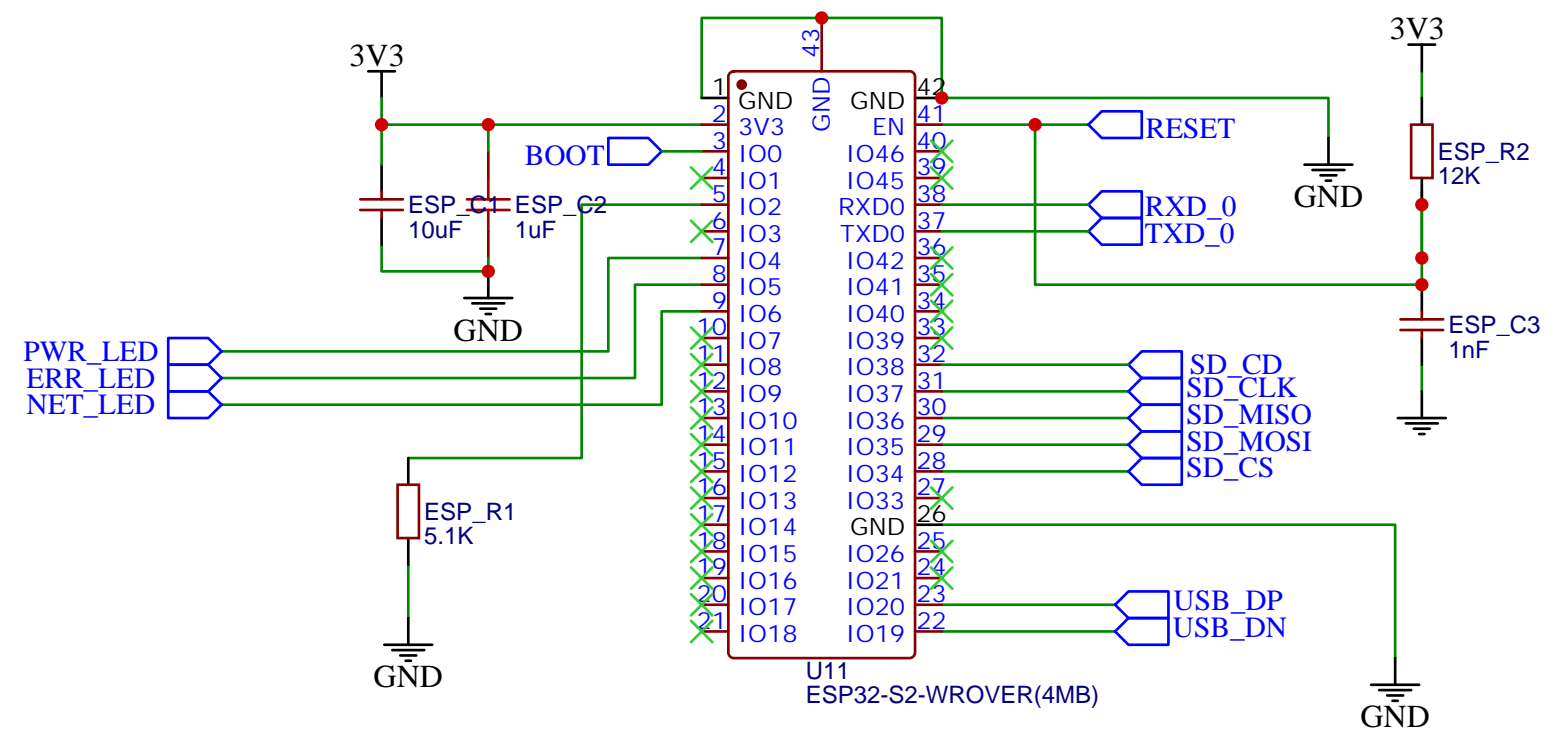
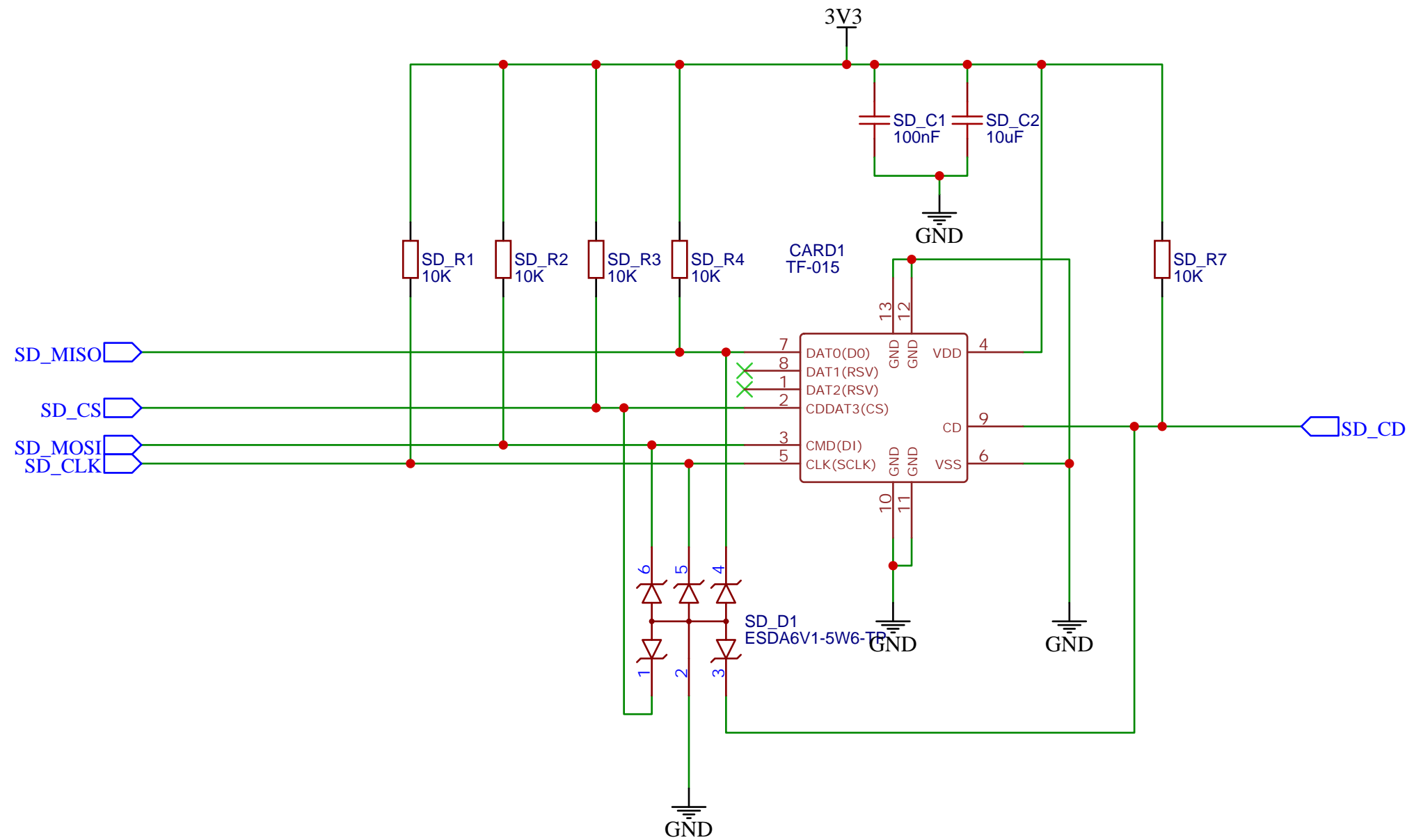


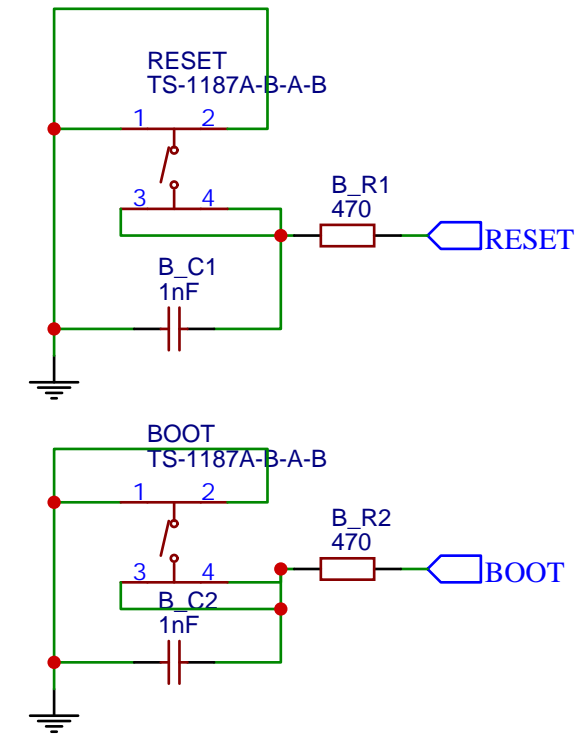
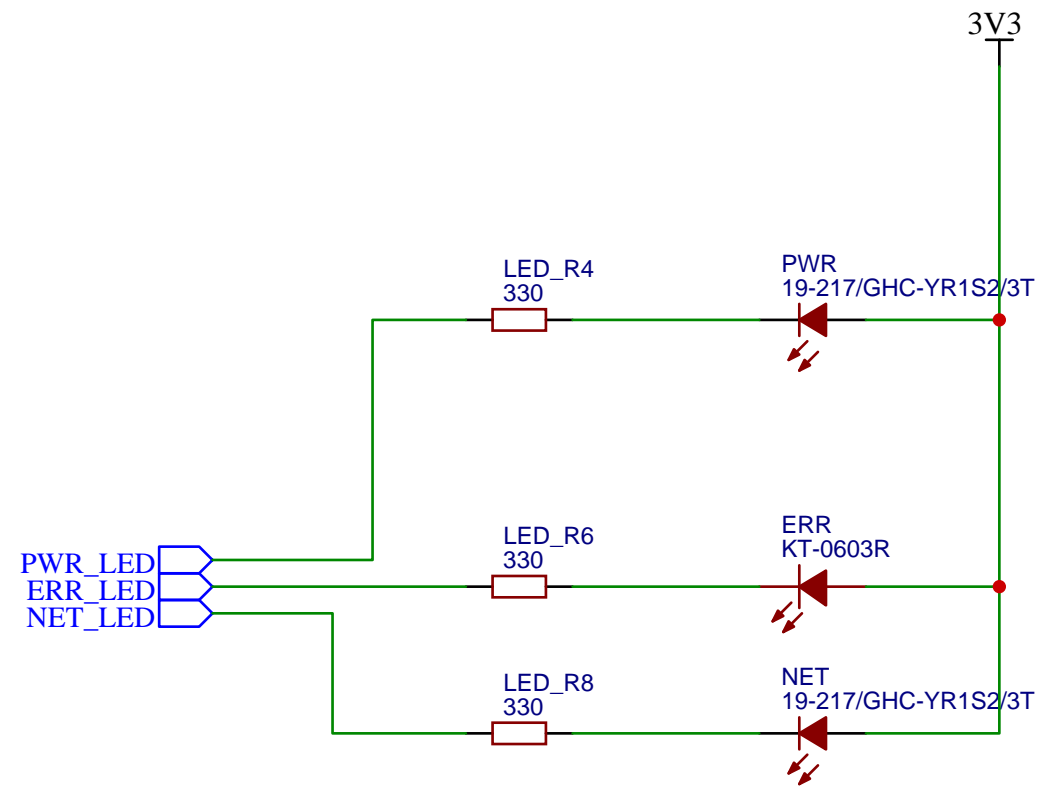
TITLE: Power supply		REV: 1.0
EasyEDA	Company: SecondOfFive Electronics	Sheet: 1/1
	Date: 2022-02-02	Drawn By:




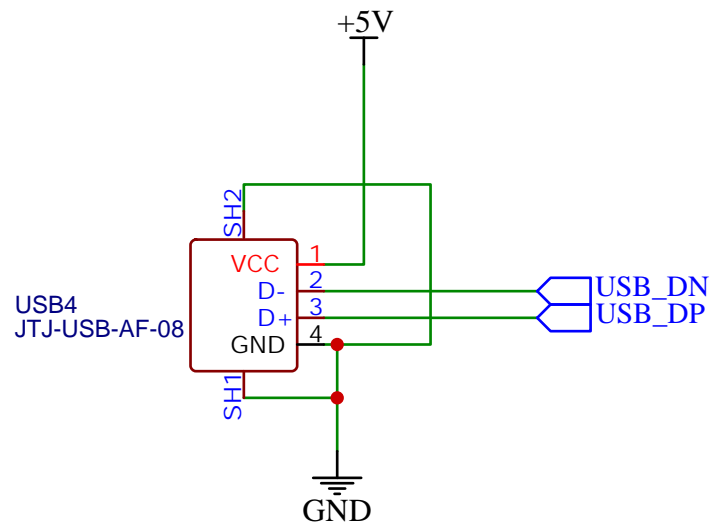
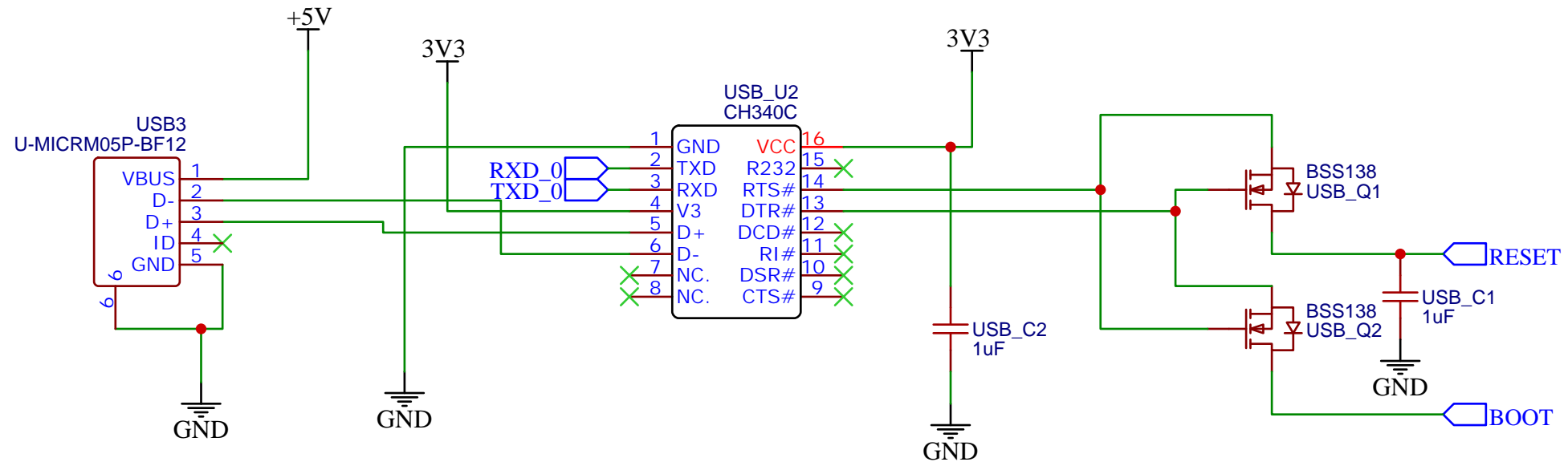
TITLE: ESP32		REV: 1.0
	Company: SecondOfFive Electronics	Sheet: 1/1
	Date: 2022-02-02	Drawn By:



TITLE: Sheet_1		REV: 1.0
EasyEDA	Company: Your Company	Sheet: 1/1
	Date: 2022-02-02	Drawn By:



TITLE: LED/Buttons		REV: 1.0
	Company: SecondOfFive Electronics	Sheet: 1/1
	Date: 2022-02-02	Drawn By:



TITLE: USB		REV: 1.0
	Company: SecondOfFive Electronics	Sheet: 1/1
	Date: 2022-02-02	Drawn By: