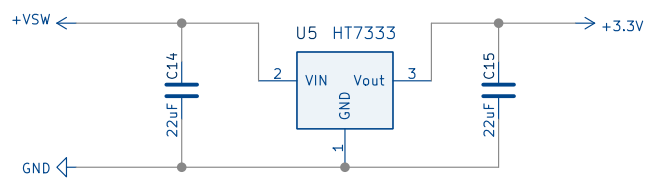
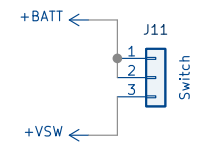
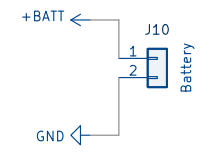
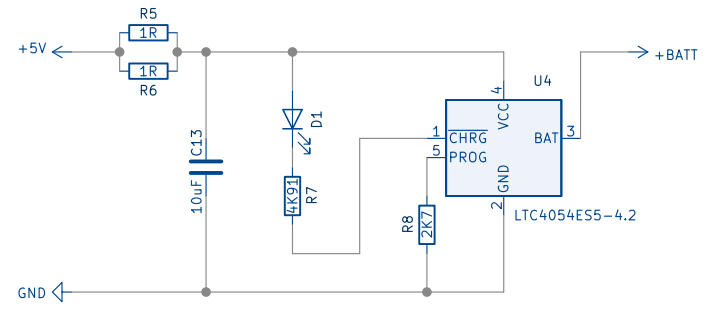
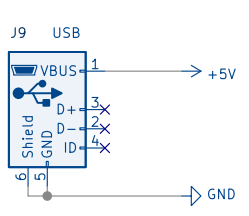


Sheet: rMeterPower

File: rMeter\_PW.sch

Sheet: /		Date:	
File: rMeterST_kc.sch		Rev:	
Size: A4	KiCad E.D.A.	Id: 1/2	
kicad (5.1.5)-3			



Sheet: /rMeterPower/		
File: rMeter_PW.sch		
<b>Title:</b>		
Size: A4	Date:	Rev:
KiCad E.D.A. kicad (5.1.5)-3		Id: 2/2