



PROJECT SUMMARY - BABY BUTTERFLY CARTEL

File14 Studios - Redacted

Project Required Features:

BACKEND:

ERC721a Smart contract mintable with ERC-20 BTRFLY.

Rewards contract to distribute rewards (ERC721EqualInstantStream distribution).

Gnosis safe contract to store Treasury funds.

Automation setup with Gelato to call the rewards contracts automatically.

FRONTEND:

Mint website with:

Multi-wallet connect and mint functionality, allowing users to mint from the site.

Prompt to approve wallet from the site to spend BTRFLY with contract.

Claims/Treasury page, allowing users to view and manage their rewards.

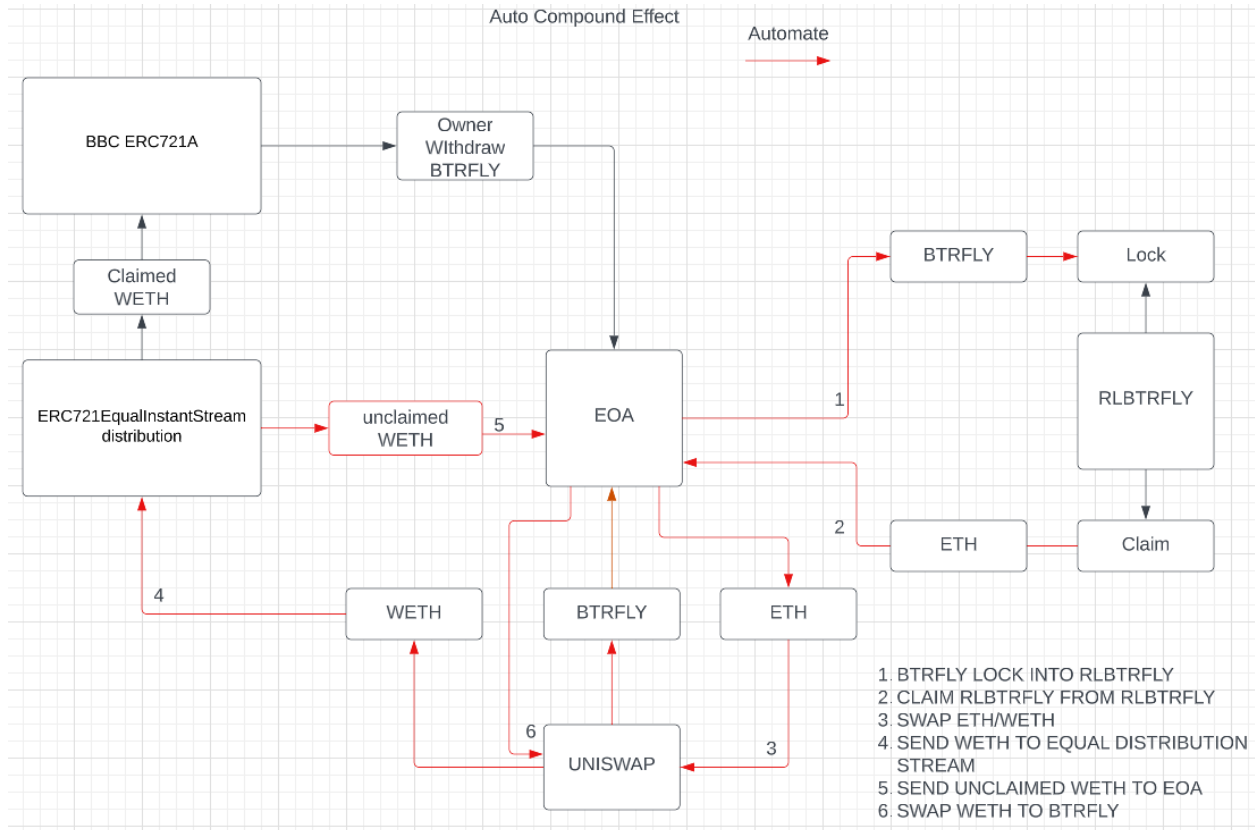
User protection features - disallowing mint if: BTRFLY balance is too low, user is attempting to mint more than the max mint allowance, wallet is not approved to spend BTRFLY with the contract.

ART GENERATION:

Art collection generation from art assets with metadata for marketplaces.

Reward Distribution Details:

“Owner” refers to the owner of the rewards, EOA and NFT contracts.



Users have the option to claim their rewards at the end of each 2 week RLBTRFLY rewards epoch. If they decide not to claim, their rewards are swapped to BTRFLY and relocked to compound their rewards. Unclaimed rewards are airdropped to users every 16 weeks. Rewards are distributed in WETH to minimize transaction fees.

Payment:

5ETH for all unpaid work to date - required before work re-commences.

5ETH upon product completion.

Total 10ETH for completed product.

Charged to:

Redacted

Payable to:

File14 Studios

file14.eth

<https://etherscan.io/address/0x0f6de669f4496bf1b90d0ae892d2ce7a2de46ed2>

Recurring costs: Web domain, web hosting, etherscan API and IPFS image hosting to be discussed also.

Timeline:

Upon first payment of 5ETH and work re-commencing, estimated time to total completion of product viable market launch is 4 weeks.

Potential for future engagement:

In the future, new cosmetics can be released:
ERC1155 Smart contract(s) for additional features.
Exact details of this future product are TBD

The cost of this future work is subject to a new negotiation, potentially funded by royalties from traded volume of the base Baby Butterfly Cartel NFT on marketplaces.

REFERENCE LINKS

TEST BUILD OF WEBSITE <https://baby-butterfly-cartel-site-v01.vercel.app/>

COLLECTION <https://testnets.opensea.io/collection/bbc-zmzl0dyzu9>

LINKS TO BACK END: BBC NFT ERC721A

<https://goerli.etherscan.io/address/0x01B3Be4b23a759D540a38D303d408545CC8eF6C5>

GNOSIS SAFE PROXY (<https://gnosis-safe.io/>)

<https://goerli.etherscan.io/address/0x779dcE2f2eBD824e8E27b9D94519EA528B3A7377#code>

ERC721EQualInstantStream (<https://app.flair.finance/>)

<https://goerli.etherscan.io/address/0xb64d87b75afe1e4db0d904422a8f0740c1093269#code>