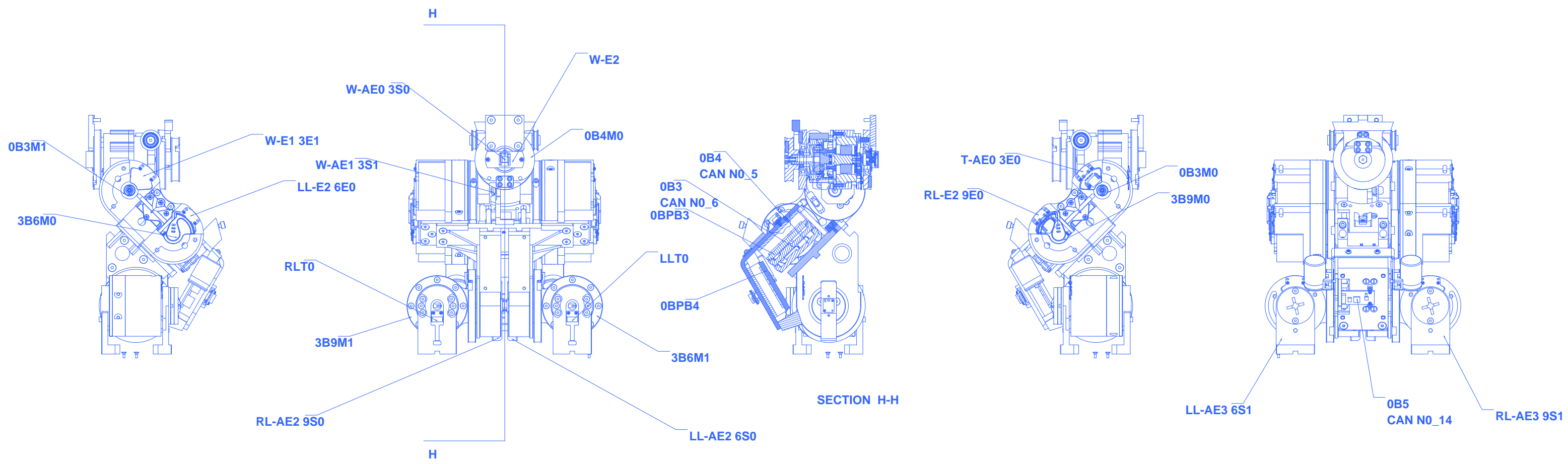


Revision History		
Revision	Date	Description
3.0.1	22/01/2014	Motor&Board Placement

Connector Name Legend
 BoardName.BoardConnectorName (e.g. 180_P15-board 180_connector P15)
 BoardName if there is one connector or solder places in the board (e.g. board LA-AE1 with solder places)
 Pn/x (times Connectors)

IIT - Istituto Italiano di Tecnologia Via Morego, 30 16163 - Genova	Project	iCub 3	
	Drawn	Created	Approved
Diagram	Motor&Board Placement	Part Number	Revision
Size	Head	MBP	3.0.1
A1	Date	venerdi 4 luglio 2014 12.45.18	Sheet
			1 of 1

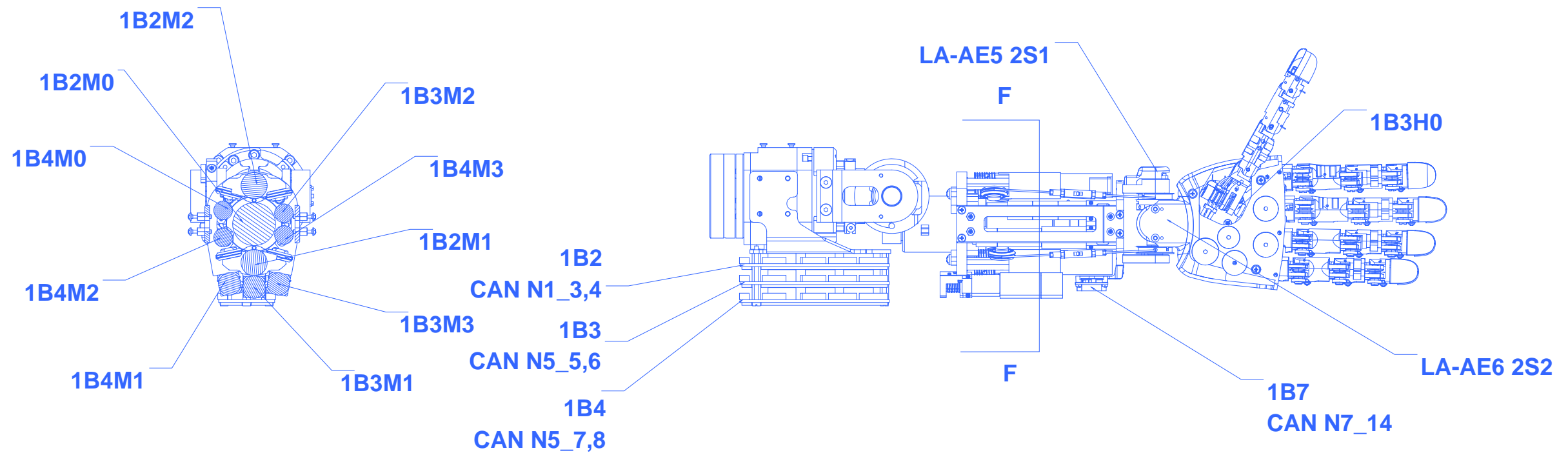


T O D O

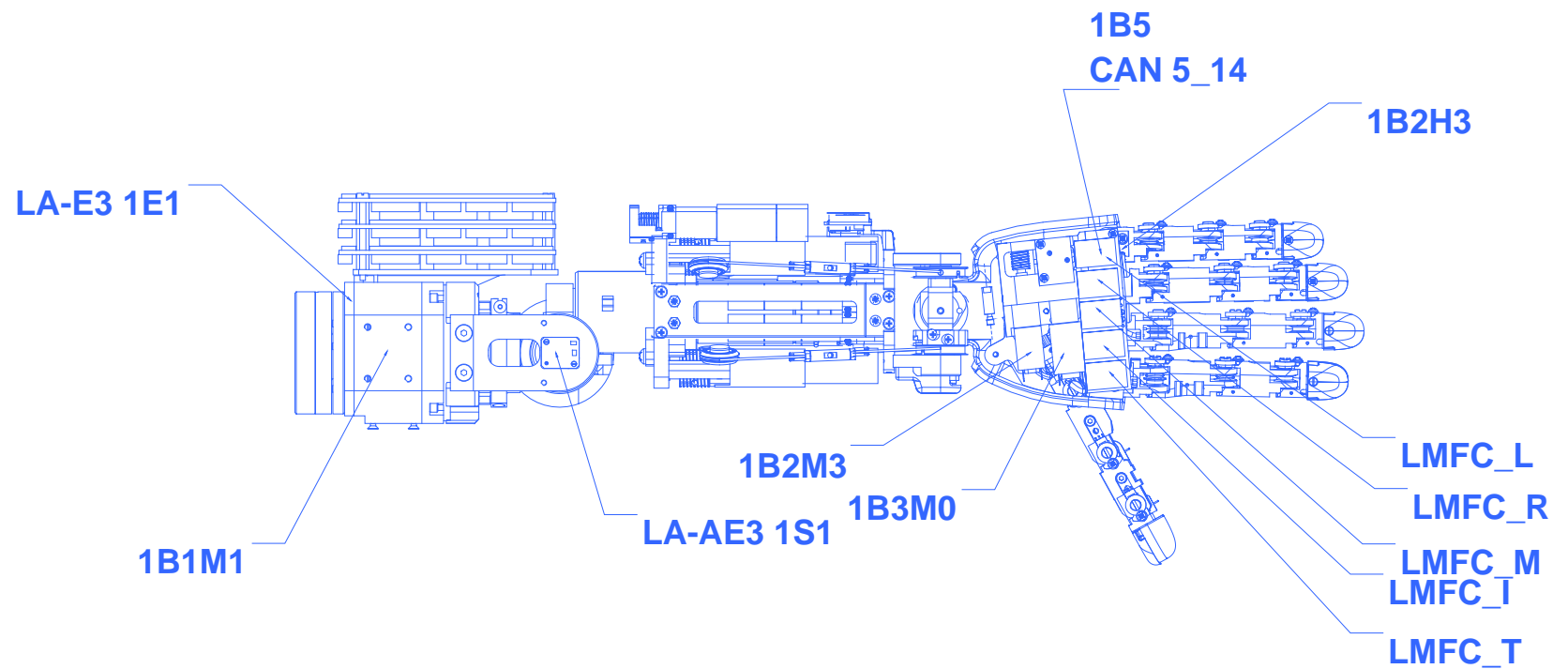
Revision History		
Revision	Date	Description
3.0.1	22/01/2014	Motor&Board Placement

IIT - Istituto Italiano di Tecnologia Via Morego, 30 16163 - Genova	Project	iCub 3	
	Drawn	Created	Approved
Document	Motor&Board Placement	Part Number	Revision
Diagram	Hip	MBP	3.0.1
Size	Date		Sheet
A1	venerdi 4 luglio 2014 12.45.18		1 of 1

Connector Name Legend
 BoardName_BoardConnectorName (e.g. 180_P15-board 180, connector P15)
 BoardName if there is one connector or solder places in the board (e.g. board LA-AE1 with solder places)
 Pxx/xx-xxxx-Connectors



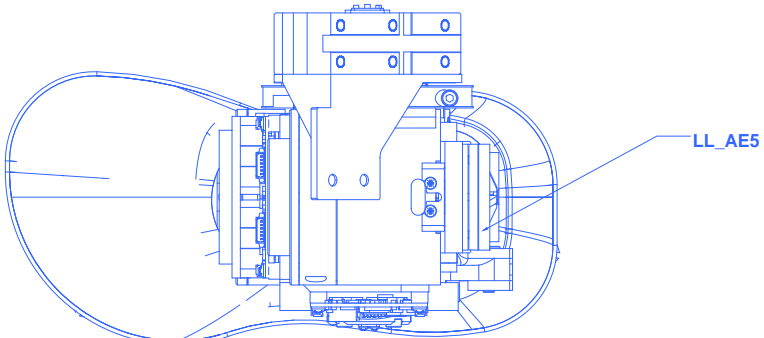
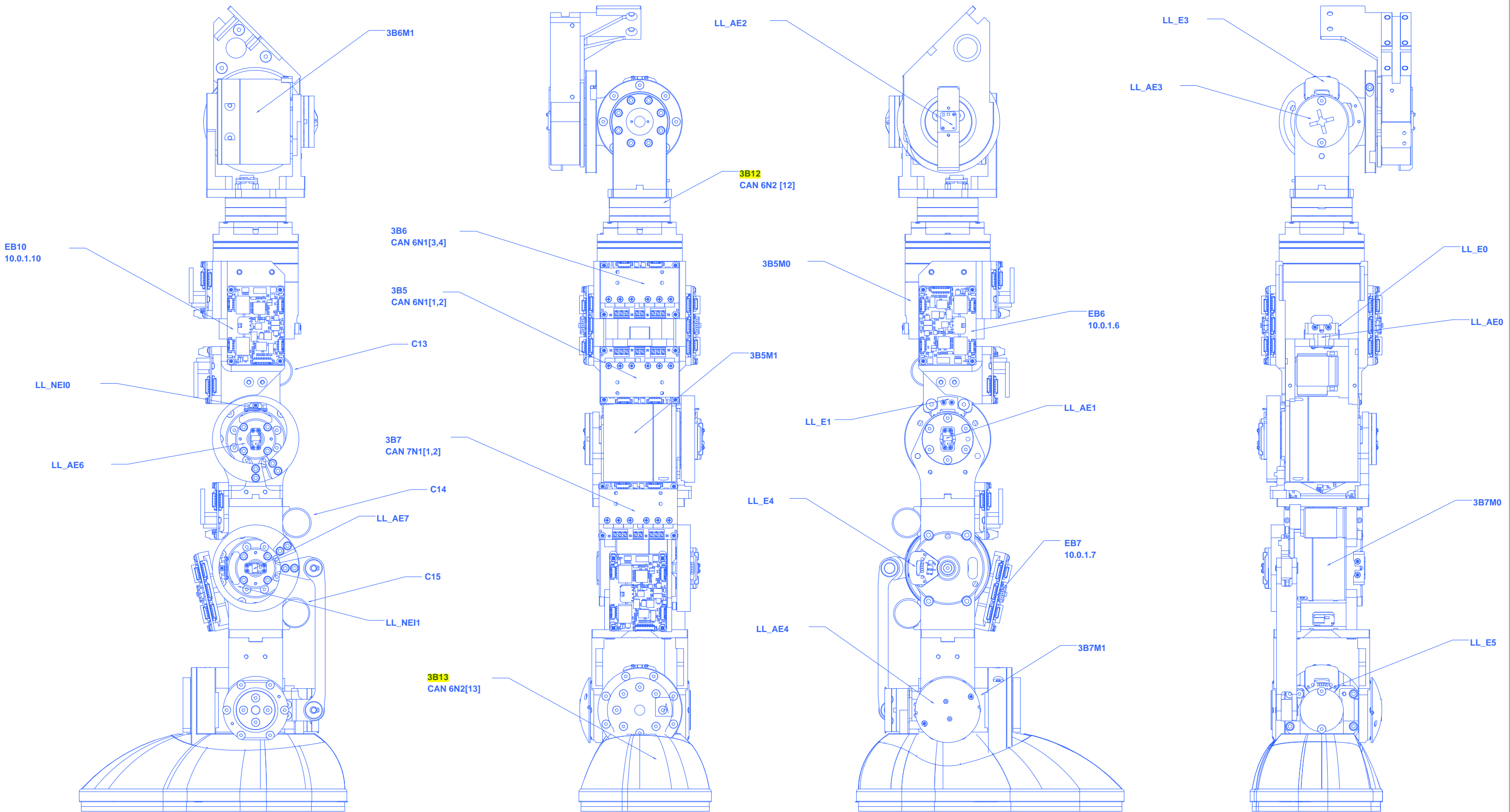
SECTION F-F



Revision History		
Revision	Date	Description
3.0.1	22/01/2014	Motor&Board Placement

IIT - Istituto Italiano di Tecnologia Via Morego, 30 16163 - Genova	Project	iCub 3	
	Drawn	Created	Approved
Diagram	Motor&Board Placement	Part Number	Revision
Size	A1	MBP	3.0.1
Date	venerdi 4 luglio 2014 12.45.18	Sheet	1 of 1

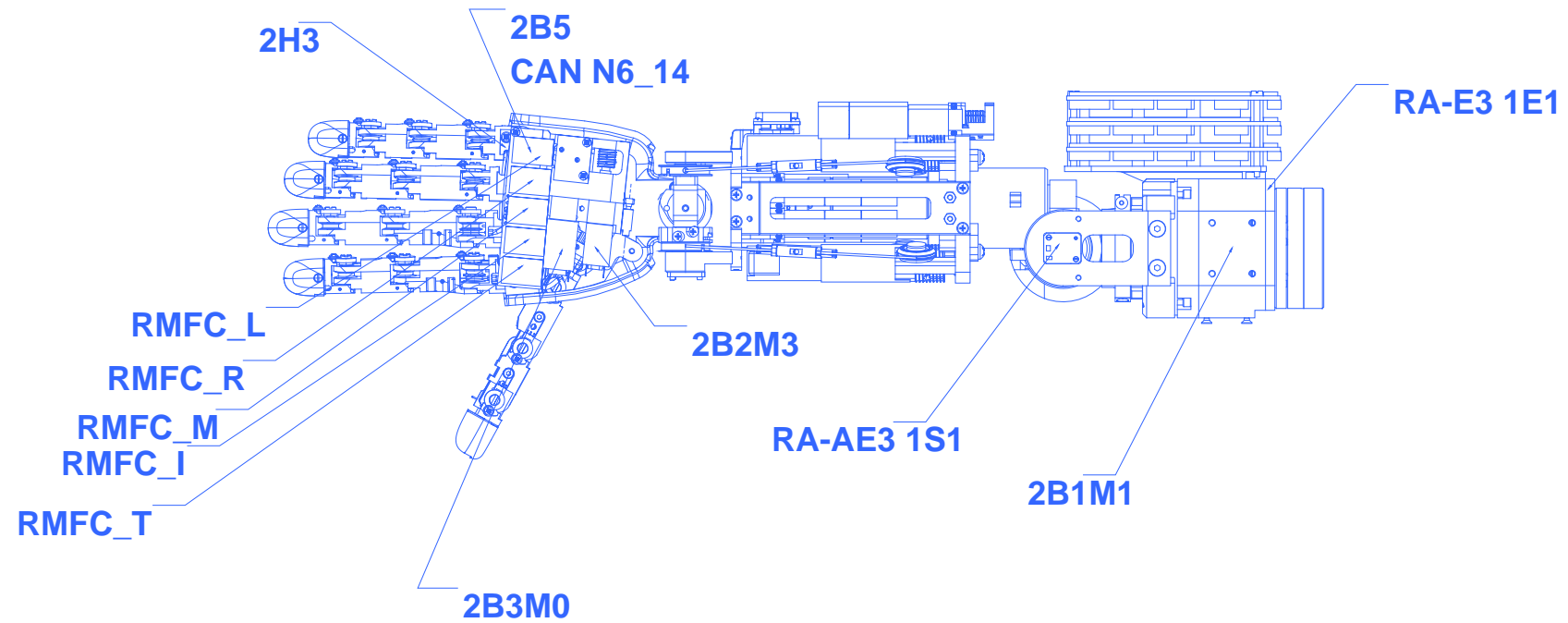
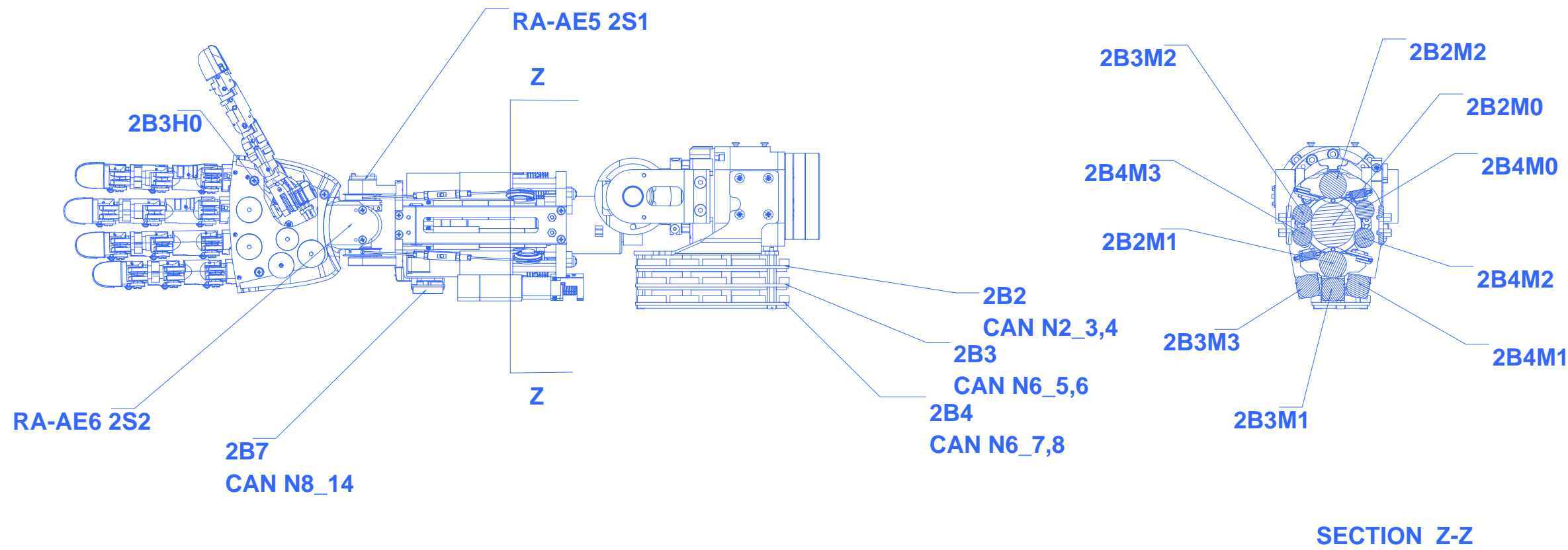
Connector Name Legend
 BoardName.BoardConnectorName (e.g. 1B0_P15-board 1B0, connector P15)
 BoardName if there is one connector or solder places in the board (e.g. board LA-AE1 with solder places P1x15times Connectors)



Connector Name Legend
 BoardName_BoardConnectorName (e.g. 180_P15-board 180, connector P15)
 BoardName if there is one connector or solder places in the board (e.g. board LA-AE1 with solder places)
 Pxx/x:xxxx Connectors

Revision History		
Revision	Date	Description
3.0.1	22/01/2014	Motor&Board Placement

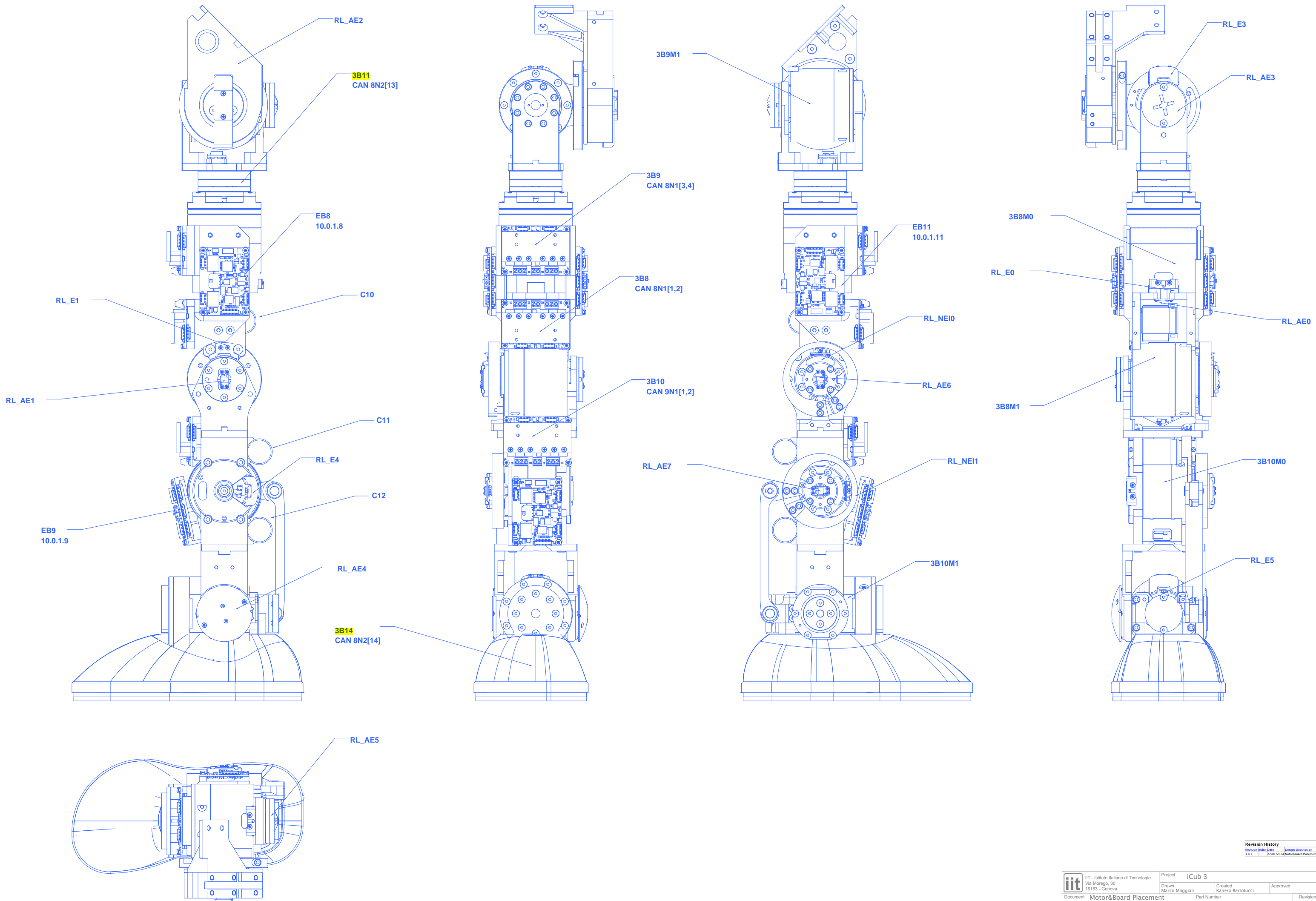
IIT - Istituto Italiano di Tecnologia Via Morego, 30 16163 - Genova	Project	iCub 3	
	Drawn	Created	Approved
Diagram	Motor&Board Placement	Part Number	Revision
	Left Leg	MBP	3.0.1
Size	Date		Sheet
A1	venerdi 4 luglio 2014 12.45.18		1 of 1



Revision History		
Revision	Date	Description
3.0.1	22/01/2014	Motor&Board Placement

IIT - Istituto Italiano di Tecnologia Via Morego, 30 16163 - Genova	Project: iCub 3		Approved
	Drawn: Marco Maggiali	Created: Raniero Bertolucci	
Document: Motor&Board Placement	Part Number: MBP		Revision: 3.0.1
Diagram: Right Arm	Size: A1	Date: venerdì 4 luglio 2014 12.45.18	Sheet: 1 of 1

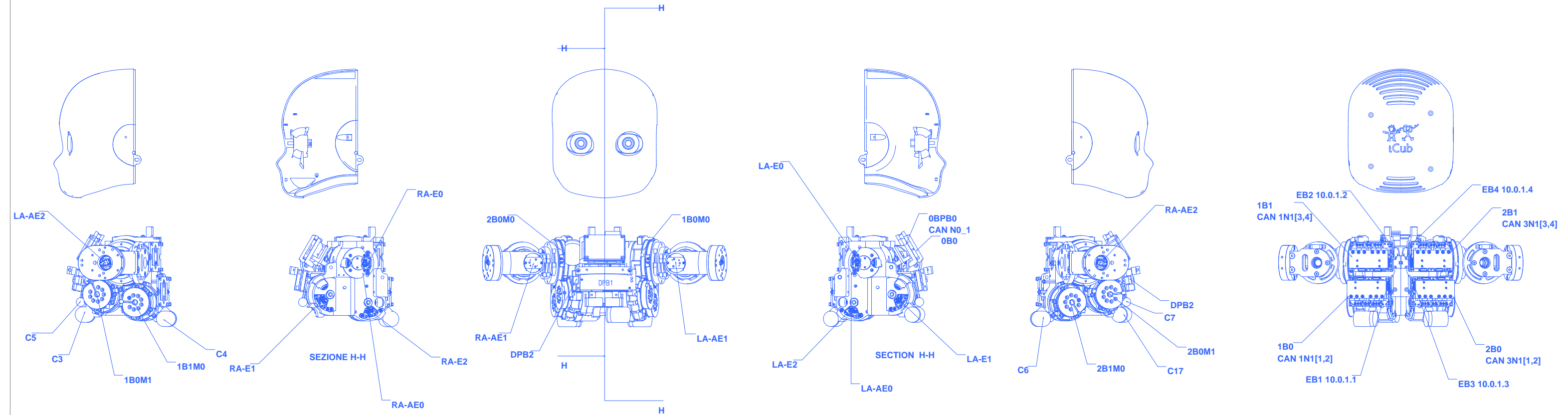
Connector Name Legend
 BoardName.BoardConnectorName (e.g. 180_P15-board 180_connector P15)
 BoardName if there is one connector or solder places in the board (e.g. board LA-AE1 with solder places)
 Pn/x: iTime Connectors



Revision History		
Revision	Date	Description
3.0.1	22/01/2014	Motor&Board Placement

IIT - Istituto Italiano di Tecnologia Via Morego, 30 16163 - Genova	Project	iCub 3	
	Drawn	Created	Approved
Diagram	Motor&Board Placement	Part Number	Revision
	Right Leg	MBP	3.0.1
Size	Date		Sheet
A1	venerdi 4 luglio 2014 12.45.18		1 of 1

Connector Name Legend
 BoardName_BoardConnectorName (e.g. 180_P15-board 180, connector P15)
 BoardName if there is one connector or solder places in the board (e.g. board LA-AE1 with solder places)
 Pxx/xx Connectors



Revision History		
Revision	Date	Description
3.0.1	22/01/2014	Motor&Board Placement

Connector Name Legend
 BoardName_BoardConnectorName (e.g. 180_P15-board 180, connector P15)
 BoardName if there is one connector or solder places in the board (e.g. board LA-AE1 with solder places)
 Pxx/xx times Connectors

IIT - Istituto Italiano di Tecnologia Via Morego, 30 16163 - Genova	Project iCub 3		Created Raniero Bertolucci	Approved
	Drawn Marco Maggiali	Part Number MBP		
Document Motor&Board Placement				Sheet 1 of 1
Size A1	Date venerdì 4 luglio 2014 12.45.18			