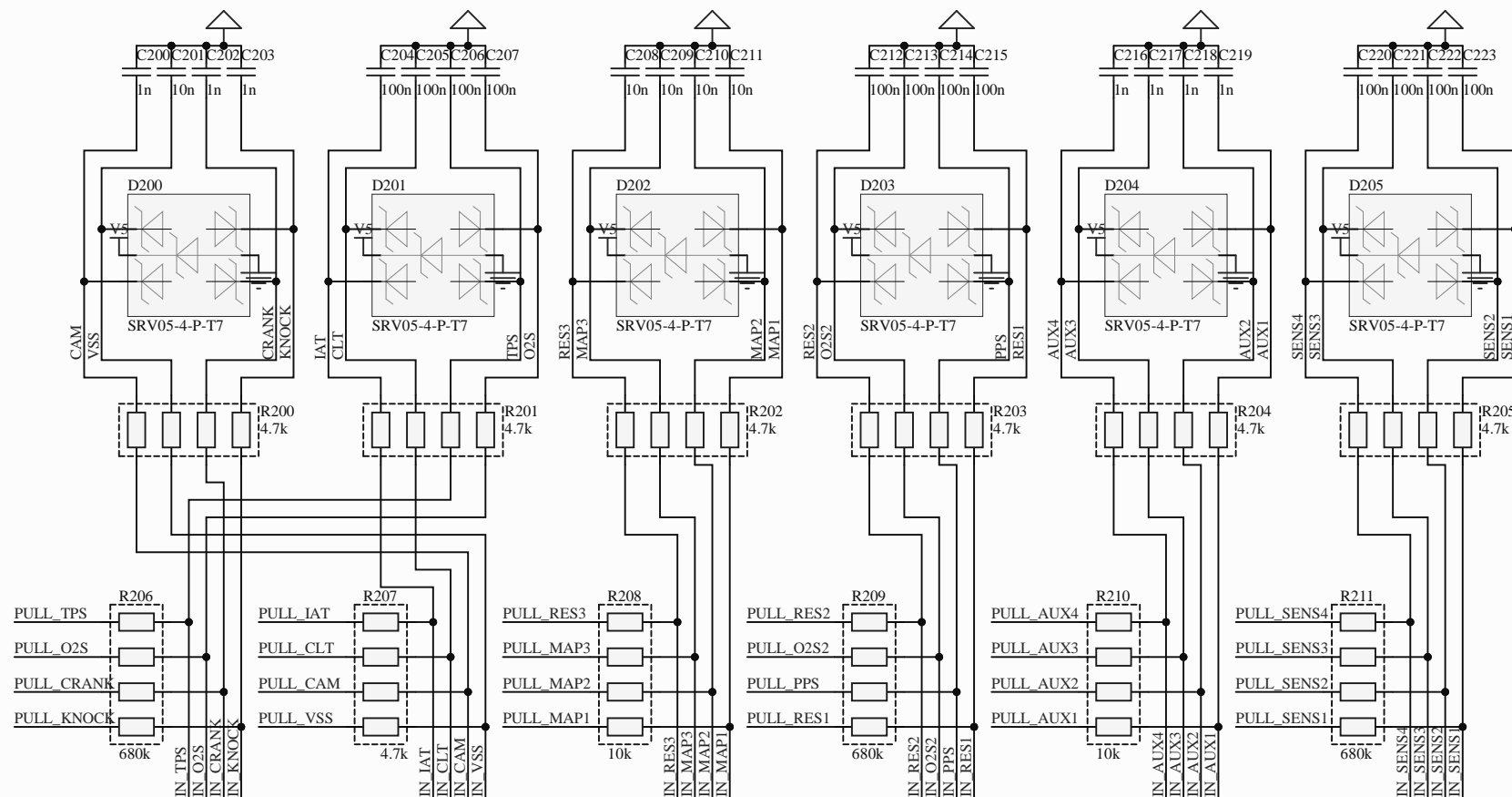


M200D			
PULL_CRANK J21	PULL_CRANK	PULL_MAP1	J14 PULL_MAP1
PULL_CAM J17	PULL_CAM	PULL_MAP2	J13 PULL_MAP2
PULL_VSS J18	PULL_VSS	PULL_MAP3	J12 PULL_MAP3
PULL_TPS J19	PULL_TPS	PULL_AUX1	J10 PULL_AUX1
PULL_PPS J5	PULL_PPS	PULL_AUX2	J9 PULL_AUX2
PULL_IAT J15	PULL_IAT	PULL_AUX3	J8 PULL_AUX3
PULL_CLT J16	PULL_CLT	PULL_AUX4	J7 PULL_AUX4
PULL_O2S J20	PULL_O2S	PULL_SENS1	J26 PULL_SENS1
PULL_O2S2 J4	PULL_O2S2	PULL_SENS2	J25 PULL_SENS2
		PULL_SENS3	J24 PULL_SENS3
		PULL_SENS4	J23 PULL_SENS4
PULL_RES1 J6	PULL_RES1	PULL_SENS4	J22 PULL_KNOCK
PULL_RES2 J3	PULL_RES2		
PULL_RES3 J11	PULL_RES3		

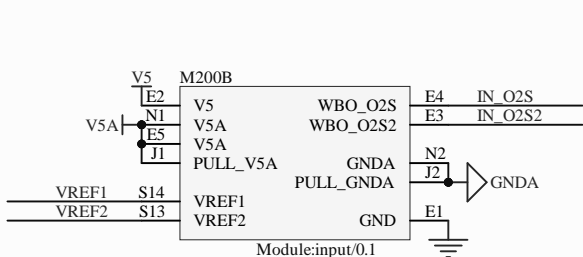
Module:input/0.1



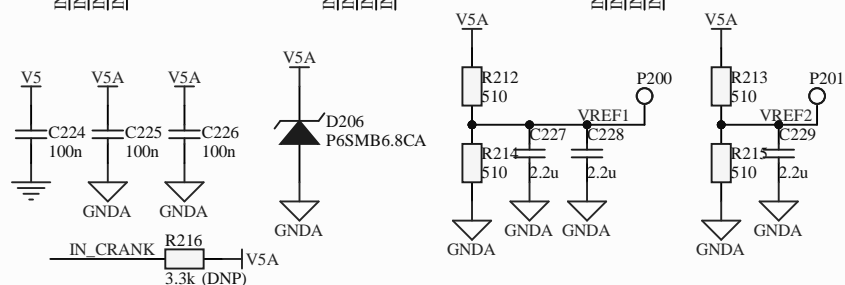
M200C		M200A	
IN_CRANK S8	IN_CRANK	N21 CRANK	
IN_CAM S5	IN_CAM	N19 CAM	
IN_VSS S6	IN_VSS	N20 VSS	
IN_TPS S10	IN_TPS	N17 TPS	
IN_PPS S24	IN_PPS	N5 PPS	
IN_IAT S16	IN_IAT	N15 IAT	
IN_CLT S15	IN_CLT	N16 CLT	
IN_O2S S9	IN_O2S	N18 O2S	
IN_O2S2 S25	IN_O2S2	N4 O2S2	
IN_RES1 S23	IN_RES1	N6 RES1	
IN_RES2 S26	IN_RES2	N3 RES2	
IN_RES3 S22	IN_RES3	N11 RES3	
IN_MAP1 S11	IN_MAP1	N14 MAP1	
IN_MAP2 S12	IN_MAP2	N13 MAP2	
IN_MAP3 S19	IN_MAP3	N12 MAP3	
IN_AUX1 S17	IN_AUX1	N10 AUX1	
IN_AUX2 S18	IN_AUX2	N9 AUX2	
IN_AUX3 S20	IN_AUX3	N8 AUX3	
IN_AUX4 S21	IN_AUX4	N7 AUX4	
IN_SENS1 S1	IN_SENS1	N26 SENS1	
IN_SENS2 S2	IN_SENS2	N25 SENS2	
IN_SENS3 S3	IN_SENS3	N24 SENS3	
IN_SENS4 S4	IN_SENS4	N23 SENS4	
IN_KNOCK S7	IN_KNOCK	N22 KNOCK	

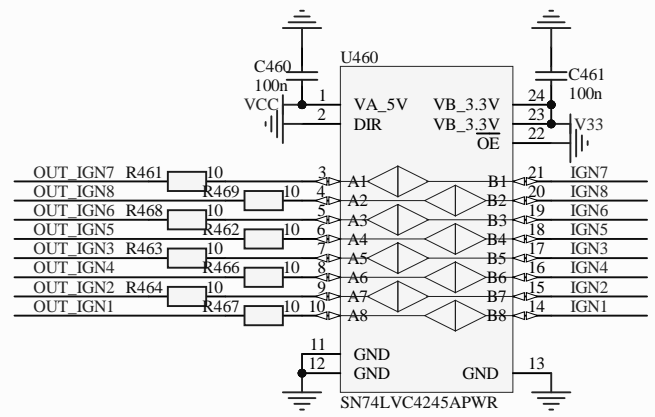
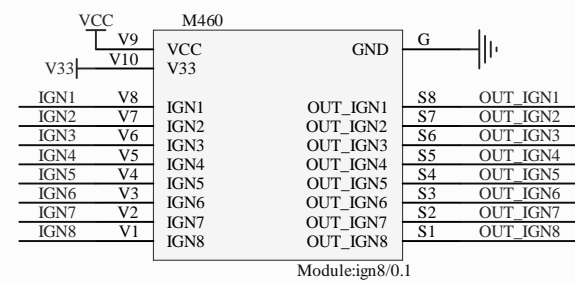
Module:input/0.1

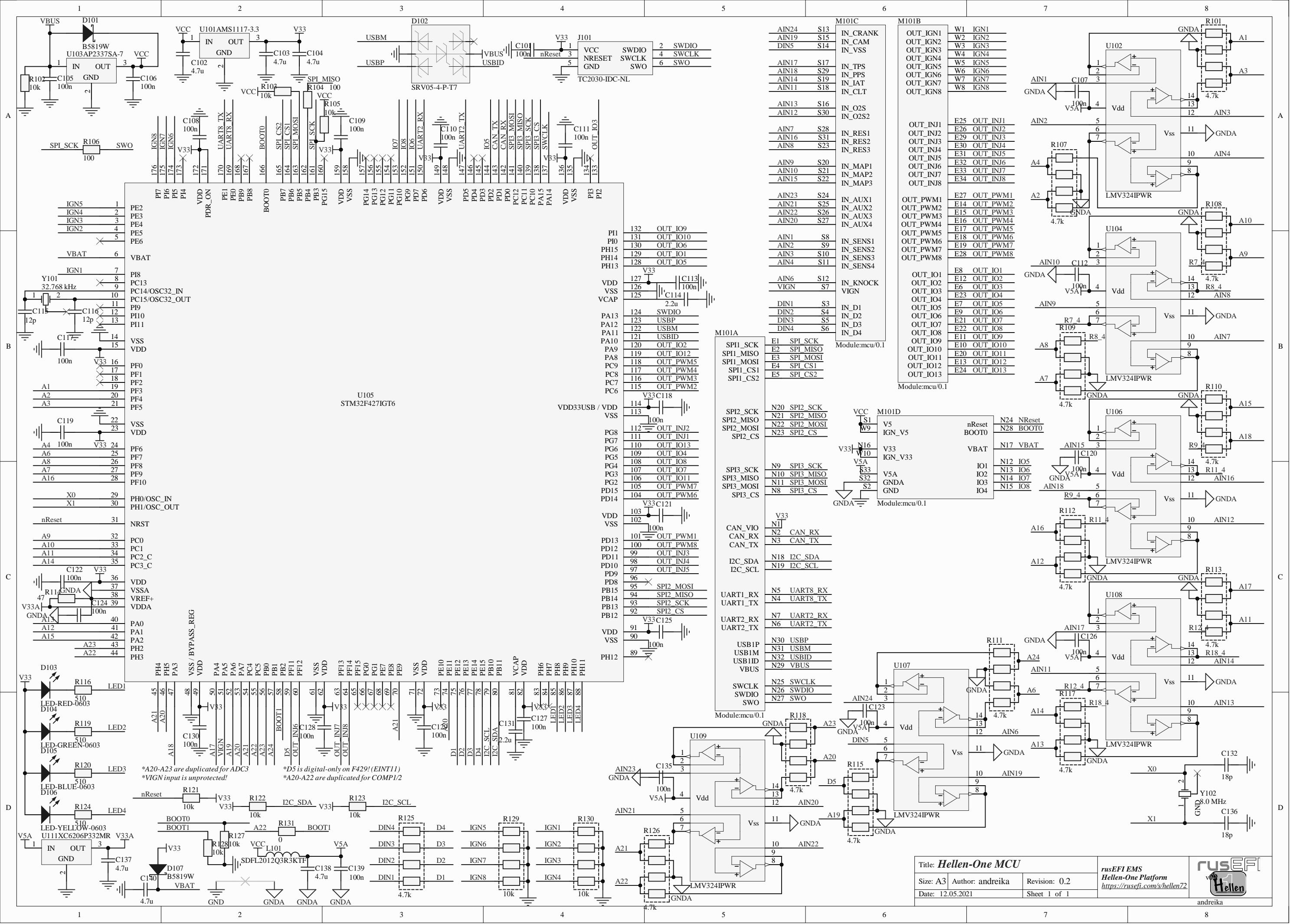
Module:input/0.1



Module:input/0.1



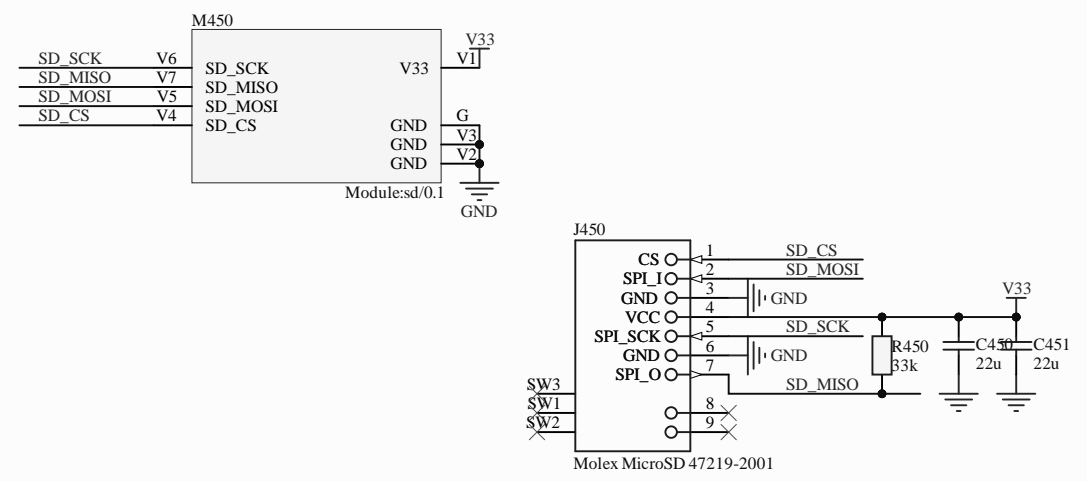


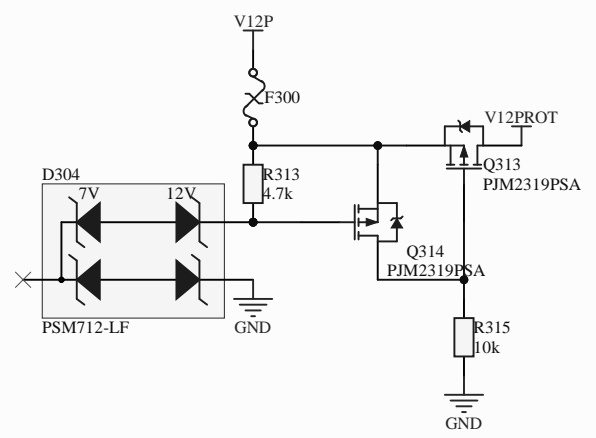
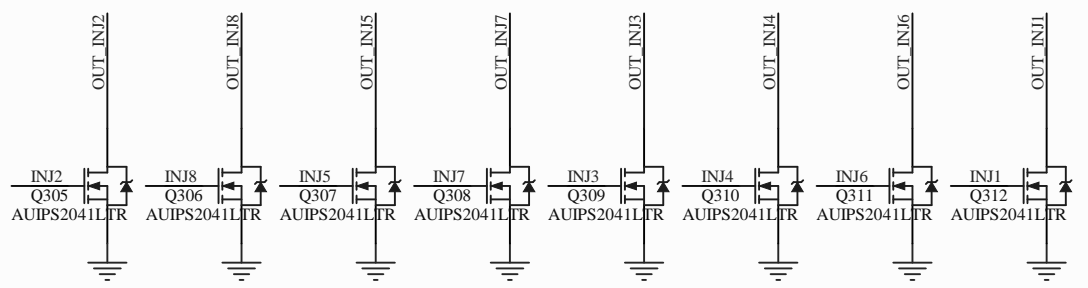
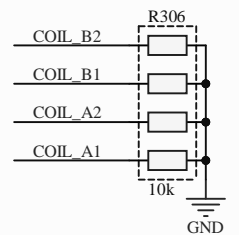
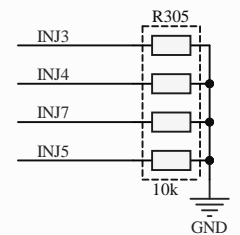
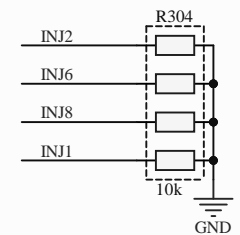
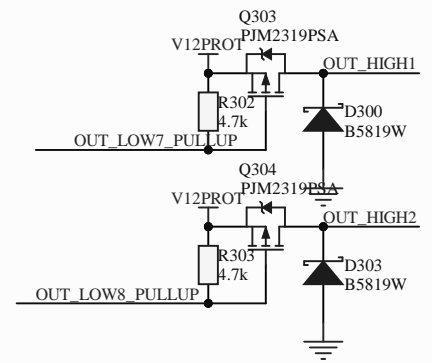
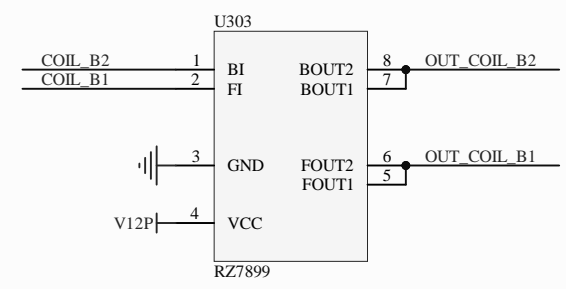
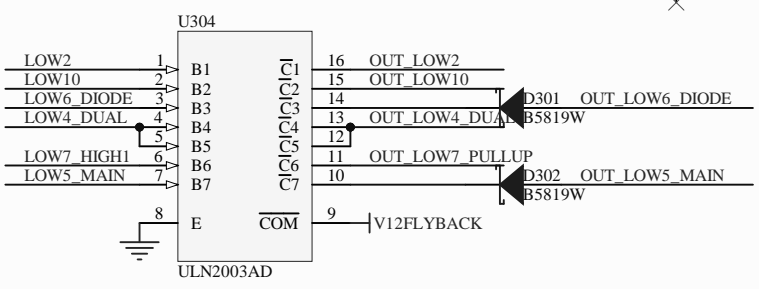
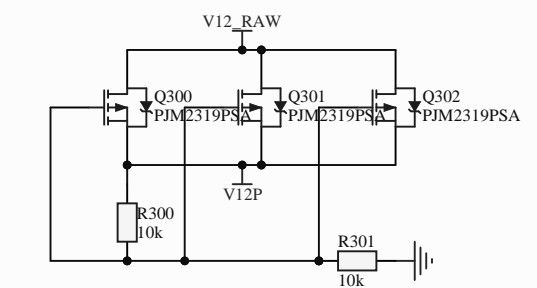
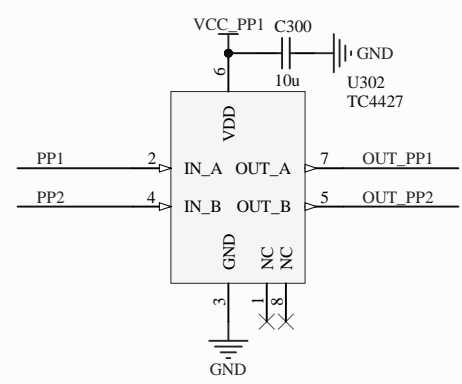
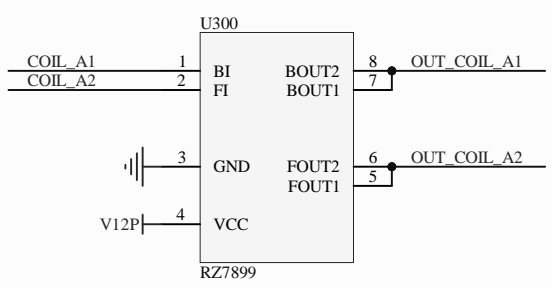
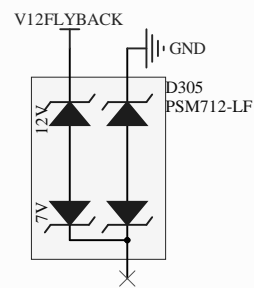
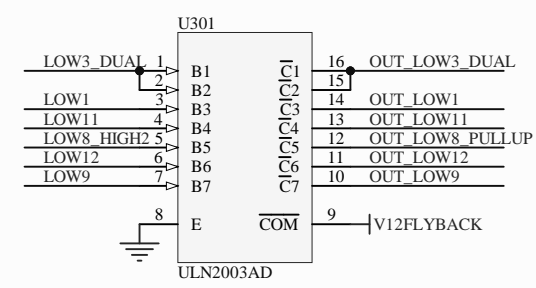


IGN5	1	PE2	132	OUT_IO9
IGN4	2	PE3	131	OUT_IO10
IGN3	3	PE4	130	OUT_IO6
IGN2	4	PE5	129	OUT_IO1
	5	PE6	128	OUT_IO5
VBAT	6	VBAT		
IGN1	7	PI8		
	8	PC13		
	9	PC14/OSC32_IN		
	10	PC15/OSC32_OUT		
	11	PI9		
	12	PI10		
	13	PI11		
VSS	14			
VDD	15			
	16	PF0		
	17	PF1		
	18	PF2		
A1	19	PF3		
A2	20	PF4		
A3	21	PF5		
	22			
VSS	23			
VDD	24			
A4	25	PF6		
A6	26	PF7		
A8	27	PF8		
A7	28	PF9		
A16	28	PF10		
	29	PH0/OSC_IN		
X0	29			
X1	30	PH1/OSC_OUT		
nReset	31	NRST		
A9	32	PC0		
A10	33	PC1		
A11	34	PC2_C		
A14	35	PC3_C		
VDD	36			
VSSA	37			
VREF+	38			
VDDA	39			
PA0	40			
A12	41			
PA2	42			
PA2	43			
A22	44			
PH4	45			
PH5	46			
PH4	47			
VSS / BYPASS_REG	48			
VDD	49			
PA4	50			
PA5	51			
PA6	52			
PA7	53			
PA8	54			
PA9	55			
PC4	56			
PC5	57			
PB0	58			
PB1	59			
PB2	60			
PB12	61			
VSS	62			
VDD	63			
PF13	64			
PF14	65			
PF15	66			
PG0	67			
PG1	68			
PG2	69			
PG3	70			
PG4	71			
PG5	72			
PG6	73			
PG7	74			
PG8	75			
PG9	76			
PG10	77			
PG11	78			
PG12	79			
PG13	80			
I2C_SDA	81			
I2C_SCL	82			
PB10	83			
PB11	84			
VCAP	85			
VDD	86			
PH6	87			
PH7	88			
PH8	89			
PH9	90			
PH10	91			
PH11	92			
VSS	93			
VDD	94			
PE10	95			
PE11	96			
PE12	97			
PE13	98			
PE14	99			
PE15	100			
PG0	101			
PG1	102			
PG2	103			
PG3	104			
PG4	105			
PG5	106			
PG6	107			
PG7	108			
PG8	109			
PG9	110			
PG10	111			
PG11	112			
PG12	113			
PG13	114			
PG14	115			
PG15	116			
PG16	117			
PG17	118			
PG18	119			
PG19	120			
PG20	121			
PG21	122			
PG22	123			
PG23	124			
PG24	125			
PG25	126			
PG26	127			
PG27	128			
PG28	129			
PG29	130			
PG30	131			
PG31	132			

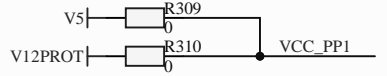
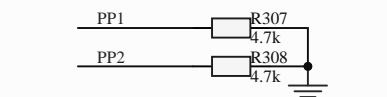
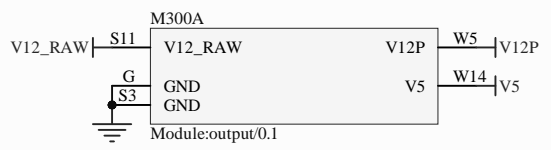
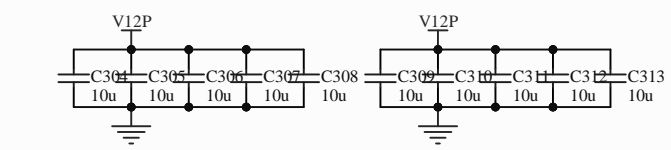
AIN24	S13	IN_CRANK
AIN19	S15	IN_CAM
DIN5	S14	IN_VSS
AIN17	S17	IN_TPS
AIN18	S29	IN_PPS
AIN14	S19	IN_IAT
AIN11	S18	IN_CLT
AIN13	S16	IN_O2S
AIN12	S30	IN_O2S2
AIN7	S28	IN_RES1
AIN16	S31	IN_RES2
AIN8	S23	IN_RES3
AIN9	S20	IN_MAP1
AIN10	S21	IN_MAP2
AIN15	S22	IN_MAP3
AIN23	S24	IN_AUX1
AIN21	S25	IN_AUX2
AIN22	S26	IN_AUX3
AIN20	S27	IN_AUX4
AIN1	S8	IN_SENS1
AIN2	S9	IN_SENS2
AIN3	S10	IN_SENS3
AIN4	S11	IN_SENS4
AIN6	S12	IN_KNOCK
VIGN	S7	VIGN
DIN1	S3	IN_D1
DIN2	S4	IN_D2
DIN3	S5	IN_D3
DIN4	S6	IN_D4

SPI1_SCK	E1	SPI_SCK
SPI1_MISO	E2	SPI_MISO
SPI1_MOSI	E3	SPI_MOSI
SPI1_CS1	E4	SPI_CS1
SPI1_CS2	E5	SPI_CS2
SPI2_SCK	N20	SPI2_SCK
SPI2_MISO	N21	SPI2_MISO
SPI2_MOSI	N22	SPI2_MOSI
SPI2_CS	N23	SPI2_CS
SPI3_SCK	N9	SPI3_SCK
SPI3_MISO	N10	SPI3_MISO
SPI3_MOSI	N11	SPI3_MOSI
SPI3_CS	N8	SPI3_CS
CAN_VIO	N1	CAN_VIO
CAN_RX	N2	CAN_RX
CAN_TX	N3	CAN_TX
I2C_SDA	N18	I2C_SDA
I2C_SCL	N19	I2C_SCL
UART1_RX	N5	UART8_RX
UART1_TX	N4	UART8_TX
UART2_RX	N7	UART2_RX
UART2_TX	N6	UART2_TX
USB1P	N30	USBP
USB1M	N31	USBM
USB1D	N32	USBID
VBUS	N29	VBUS
SWCLK	N25	SWCLK
SWDIO	N26	SWDIO
SWO	N27	SWO

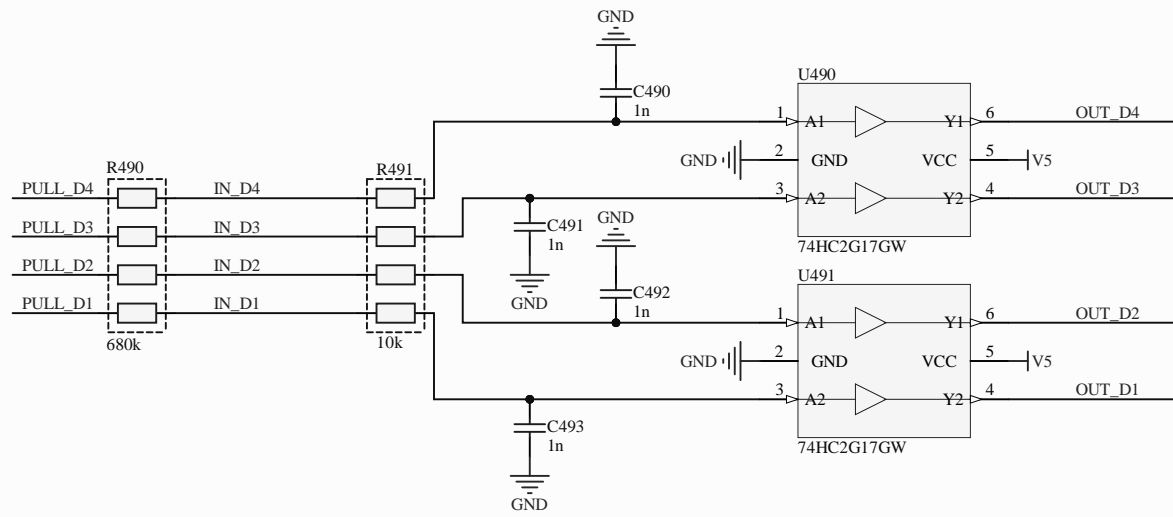
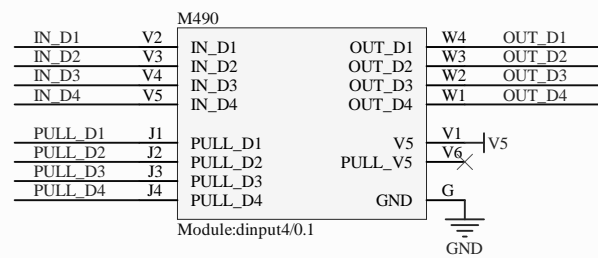


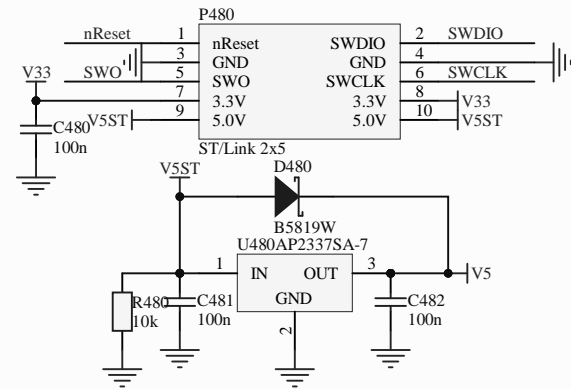
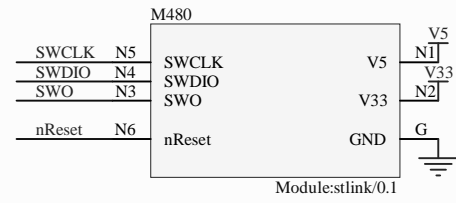


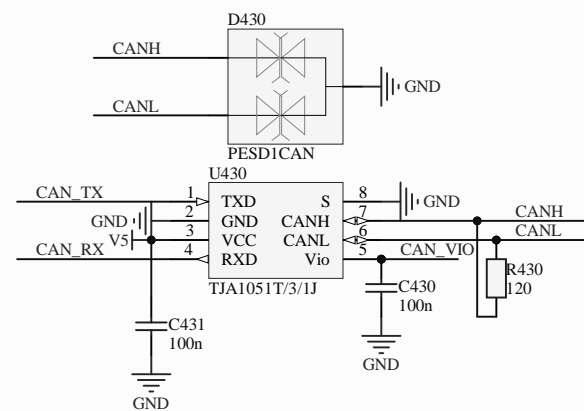
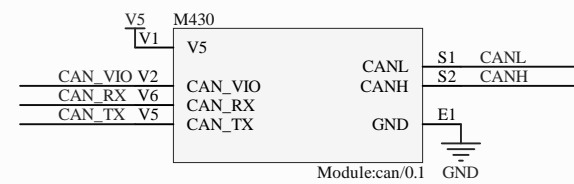
M300B		M300C	
INJ1	W24	OUT_INJ1	S18
INJ2	W23	OUT_INJ2	S16
INJ3	W20	OUT_INJ3	S17
INJ4	W19	OUT_INJ4	W7
INJ5	W18	OUT_INJ5	W10
INJ6	W17	OUT_INJ6	S15
INJ7	W16	OUT_INJ7	W12
INJ8	W15	OUT_INJ8	W11
PP1	W28	OUT_PP1	W6
PP2	W22	OUT_PP2	S6
COIL_A1	W33	OUT_SOLENOID_A1	S1
COIL_A2	W32	OUT_SOLENOID_A2	S2
COIL_B1	W31	OUT_SOLENOID_B1	S4
COIL_B2	W30	OUT_SOLENOID_B2	S5
LOW1	W21	OUT_LOW1	S8
LOW2	W29	OUT_LOW2	W1
LOW3_DUAL	W38	OUT_LOW3_DUAL	S7
LOW4_DUAL	W34	OUT_LOW4_DUAL	W4
LOW5_MAIN	W40	OUT_LOW4_DUAL	W13
LOW6_DIODE	W25	OUT_LOW5_MAIN	W3
LOW7_HIGH1	W39	OUT_LOW6_DIODE	W9
LOW8_HIGH2	W37	OUT_LOW7_PULLUP	S12
LOW9	W27	OUT_LOW8_PULLUP	S14
LOW10	W26	OUT_LOW9	W2
LOW11	W35	OUT_LOW10	S10
LOW12	W36	OUT_LOW11	S13
		OUT_LOW12	
		OUT_HIGH1	W8
		OUT_HIGH2	S9

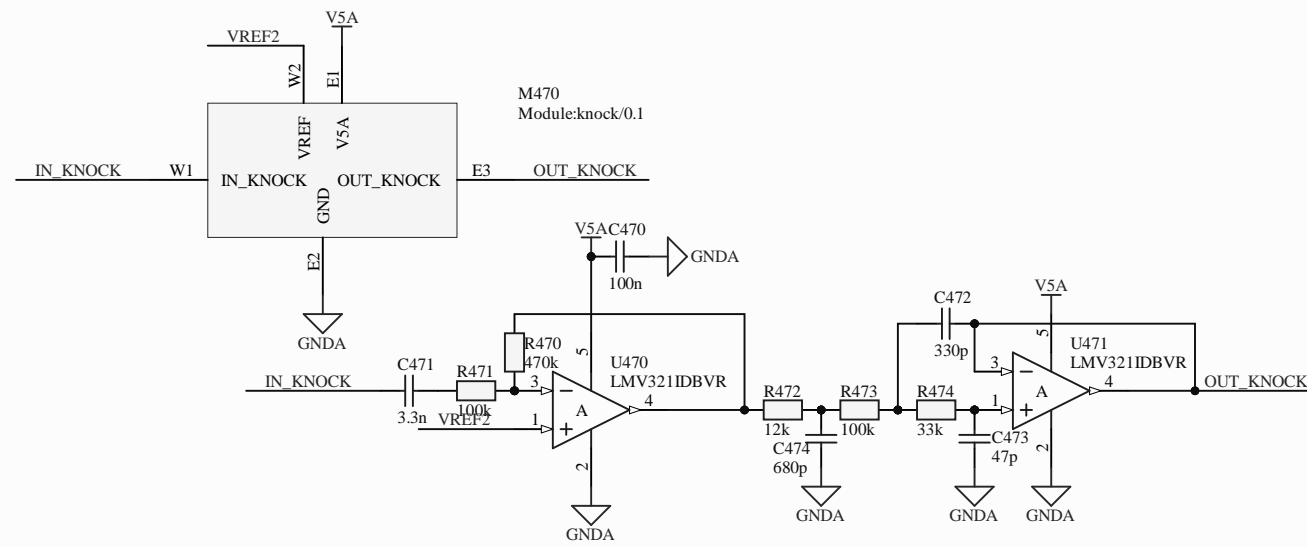


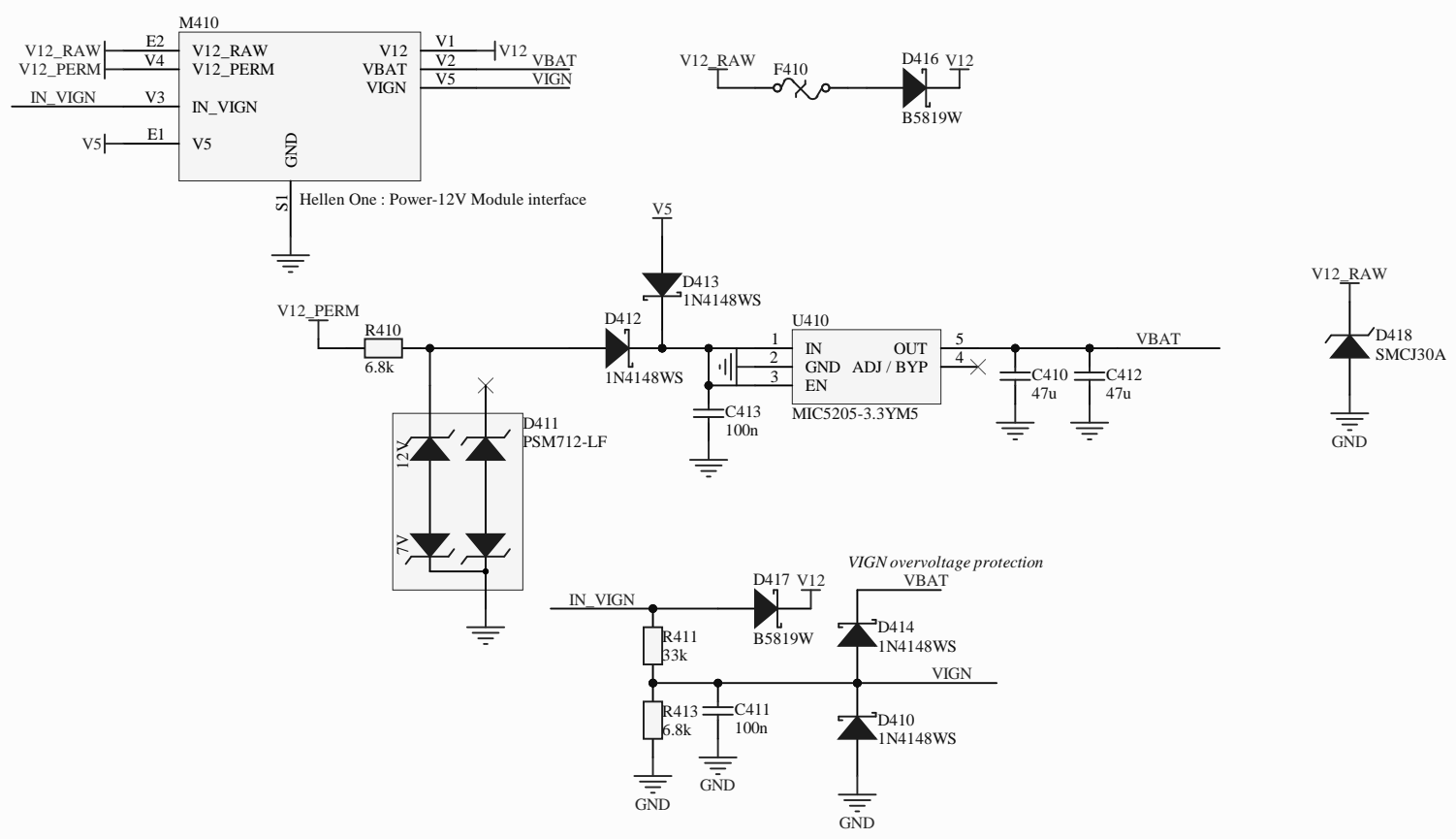
* These can be removed in the board compilation file

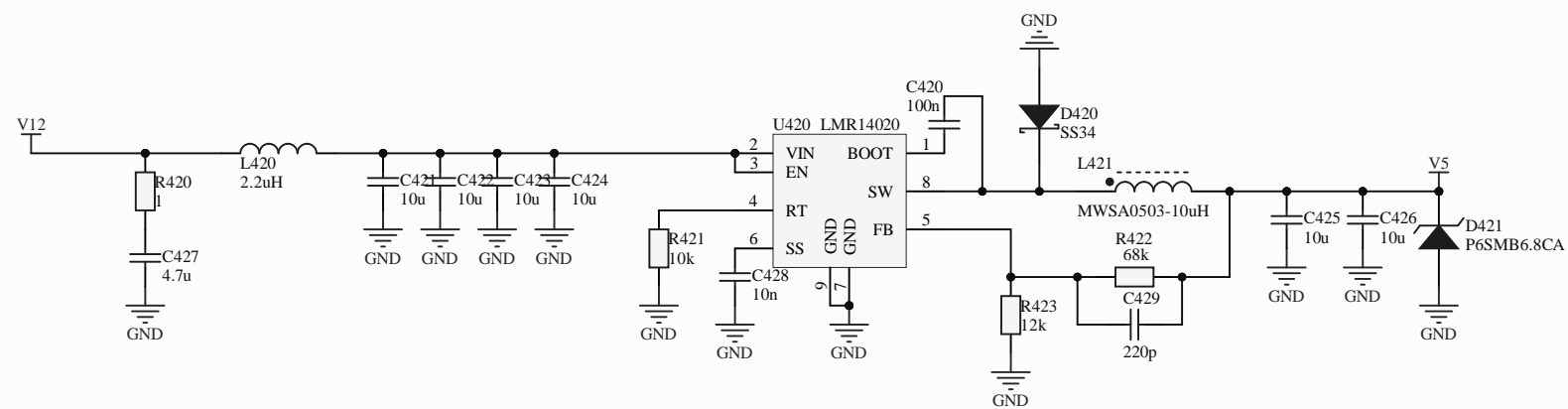
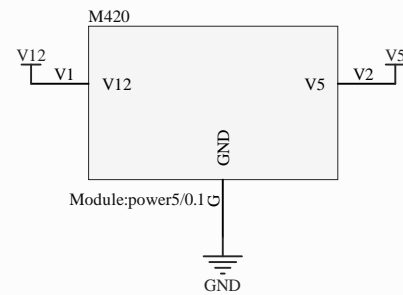


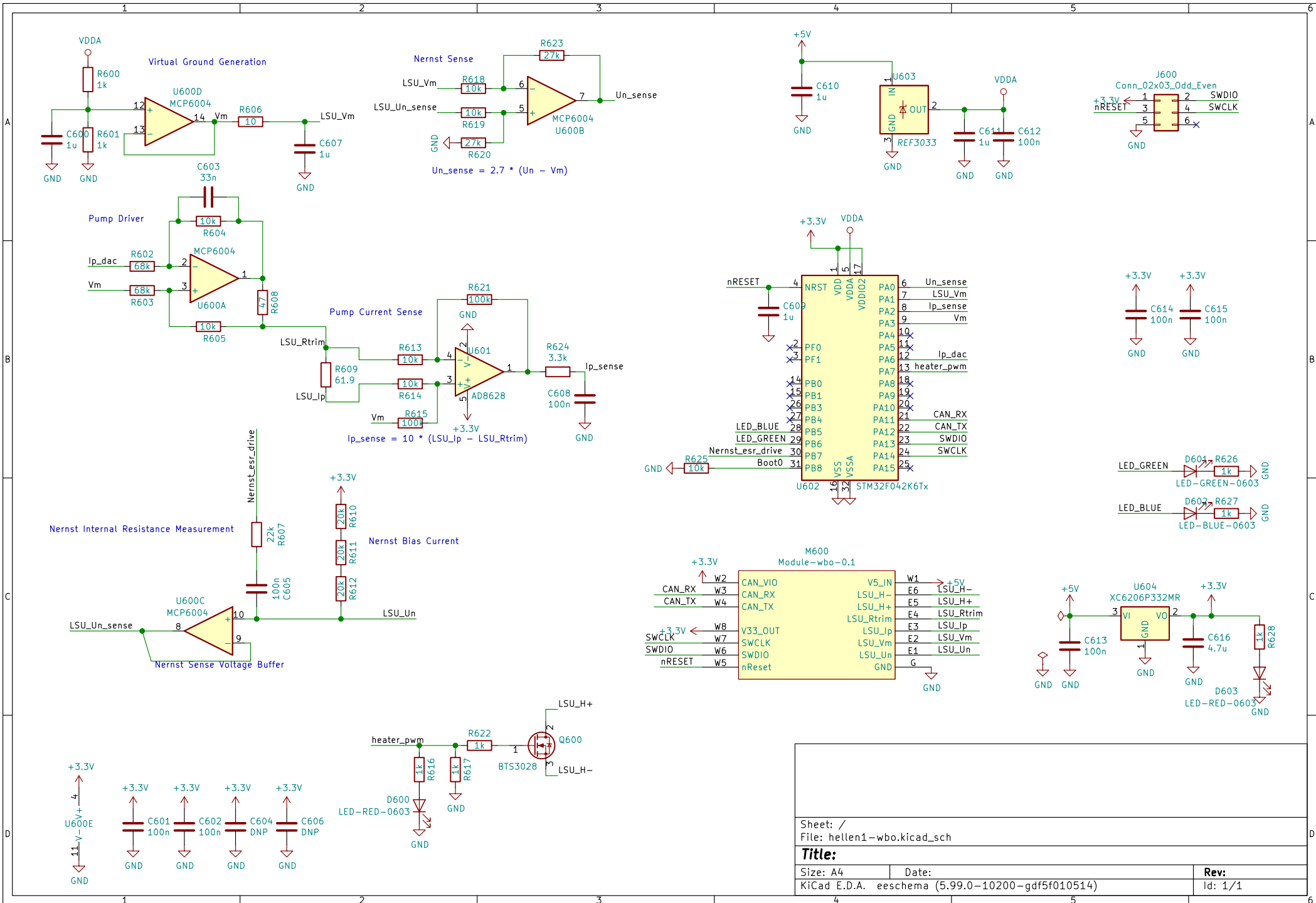












Sheet: /		Date:	
File: hellen1-wbo.kicad_sch		Rev:	
Size: A4	KiCad E.D.A. eeschema (5.99.0-10200-gdf5f010514)		Id: 1/1