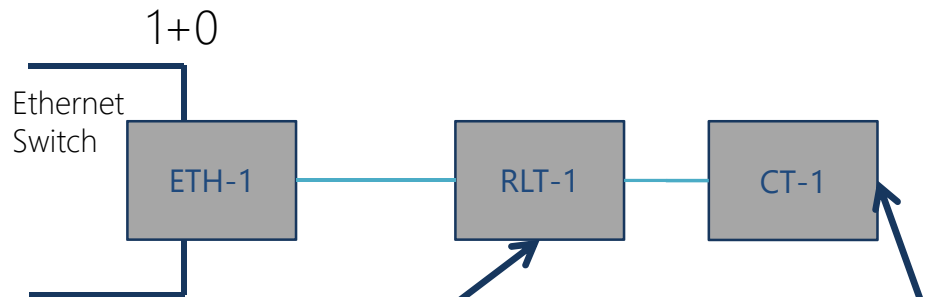


In the following slide is it assumed that:

- relevant attributes are in **bold** font
- / separates instances
- , separates element names in a list
- CT-x is created on hardware (card) provisioning
- RLT-x is created by the user (or optionally on a hardware provisioning)
- groups (radio-link-protection-groups, xpic-pairs, ...) are created before the RLT-x
- higher-layer-if of a RLT-x is populated by the device
- configuration involving more devices are not included



```

+---rw radio-link-protection-groups
| +---rw protection-group* [name]
| | +---rw name
| | +---rw protection-architecture-type?
| | +---rw members*
| | +---rw operation-type?
| | +---rw working-entity
| | +---rw revertive-wait-to-restore
| | +---rw hold-off-timer?
| | +---ro status?
| ...
+---rw xpic-pairs {xpic}?
| +---rw xpic-pair* [name]
| | +---rw name
| | +---rw enabled? boolean
| | +---rw members*
+---rw mimo-groups {mimo}?
+---rw mimo-group* [name]
+---rw name string
+---rw enabled? boolean
+---rw members* leafref
  
```

```

module: ietf-interfaces
+---rw interfaces
| +---rw interface* [name]
| | +---rw name RLT-1
| | +---rw type microwaveRadioLinkTerminal
| | +---ro higher-layer-if ETH-1
| | +---ro lower-layer-if CT-1
  
```

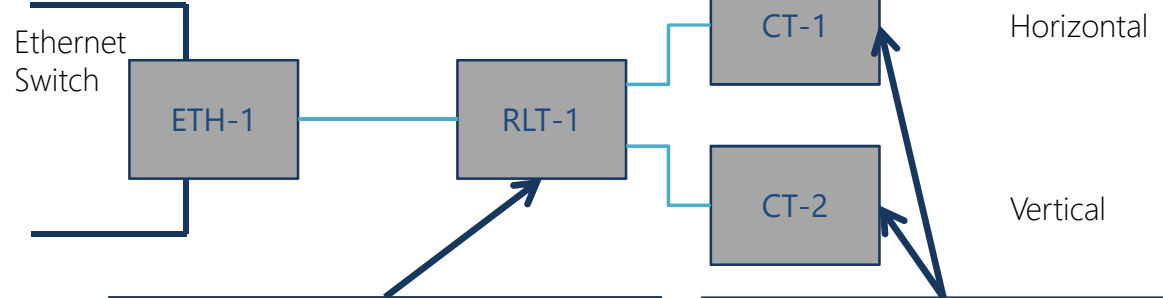
```

module: ietf-interfaces
+---rw interfaces
| +---rw interface* [name]
| | +---rw name CT-1
| | +---rw type microwaveCarrierTermination
| | +---ro higher-layer-if RLT-1
  
```

```

augment /if:interfaces/if:interface:
+---rw id? string
+---rw mode one-plus-zero
+---rw carrier-terminations* CT-1
+---rw rlp-groups* leafref
+---rw xpic-pairs*
+---rw mimo-groups* leafref {mimo}?
+---rw tdm-connections* [tdm-type] {tdm}?
+---rw tdm-type identityref
+---rw tdm-connections uint16
  
```

2+0 XPIC



```

+--rw radio-link-protection-groups
| +--rw protection-group* [name]
| | +--rw name
| | +--rw protection-architecture-type?
| | +--rw members*
| | +--rw operation-type?
| | +--rw working-entity
| | +--rw revertive-wait-to-restore
| | +--rw hold-off-timer?
| | +--ro status?
| ...

```

+--rw xpic-pairs {xpic}?

```

| +--rw xpic-pair* [name]
| | +--rw name                XPIC-1
| | +--rw enabled? boolean
| | +--rw members*           CT-1, CT-2
+--rw mimo-groups {mimo}?
| +--rw mimo-group* [name]
| | +--rw name string
| | +--rw enabled? boolean
| | +--rw members* leafref

```

```

module: ietf-interfaces
+--rw interfaces
| +--rw interface* [name]
| | +--rw name RLT-1
| | +--rw type microwaveRadioLinkTerminal
| | +--ro higher-layer-if ETH-1
| | +--ro lower-layer-if CT-1, CT-2

```

```

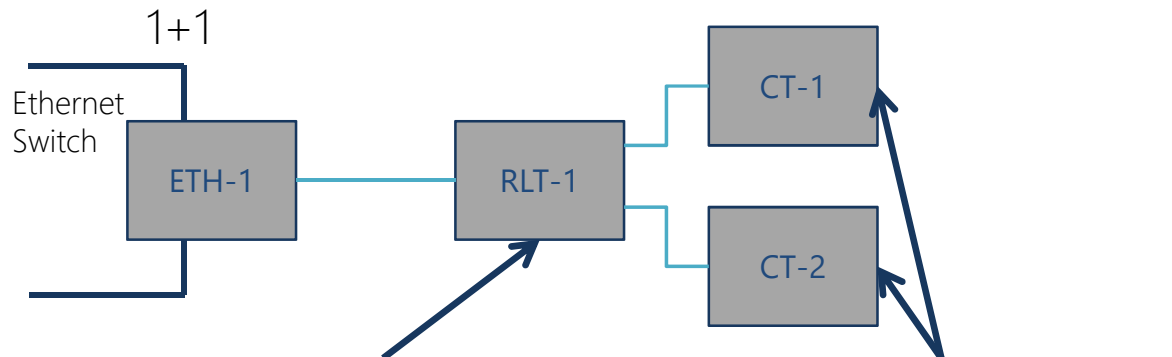
module: ietf-interfaces
+--rw interfaces
| +--rw interface* [name]
| | +--rw name CT-1/CT-2
| | +--rw type microwaveCarrierTermination
| | +--ro higher-layer-if RLT-1

```

```

augment /if:interfaces/if:interface:
+--rw id? string
+--rw mode two-plus-zero
+--rw carrier-terminations* CT-1, CT-2
+--rw rlp-groups* leafref
+--rw xpic-pairs* XPIC-1
+--rw mimo-groups* leafref {mimo}?
+--rw tdm-connections* [tdm-type] {tdm}?
| +--rw tdm-type identityref
| +--rw tdm-connections uint16

```



```

+--rw radio-link-protection-groups
| +--rw protection-group* [name]
| | +--rw name PRO-1
| | +--rw protection-architecture-type one-plus-one-type
| | +--rw members* CT-1, CT-2
| | +--rw operation-type?
| | +--rw working-entity
| | +--rw revertive-wait-to-restore
| | +--rw hold-off-timer?
| | +--ro status?
| ...
+--rw xpic-pairs {xpic}?
| +--rw xpic-pair* [name]
| | +--rw name
| | +--rw enabled? boolean
| | +--rw members*
+--rw mimo-groups {mimo}?
  +--rw mimo-group* [name]
    +--rw name string
    +--rw enabled? boolean
    +--rw members* leafref
  
```

```

module: ietf-interfaces
+--rw interfaces
| +--rw interface* [name]
| | +--rw name RLT-1
| | +--rw type microwaveRadioLinkTerminal
| | +--ro higher-layer-if ETH-1
| | +--ro lower-layer-if CT-1, CT-2
  
```

```

module: ietf-interfaces
+--rw interfaces
| +--rw interface* [name]
| | +--rw name CT-1 / CT-2
| | +--rw type microwaveCarrierTermination
| | +--ro higher-layer-if RLT-1
  
```

```

augment /if:interfaces/if:interface:
+--rw id? string
+--rw mode one-plus-one
+--rw carrier-terminations* CT-1, CT-2
+--rw rlp-groups* PRO-1
+--rw xpic-pairs*
+--rw mimo-groups* leafref {mimo}?
+--rw tdm-connections* [tdm-type] {tdm}?
  +--rw tdm-type identityref
  +--rw tdm-connections uint16
  
```

```

+---rw radio-link-protection-groups
| +---rw protection-group* [name]
|   +---rw name
|   +---rw protection-architecture-type?
|   +---rw members*
|   +---rw operation-type?
|   +---rw working-entity
|   +---rw revertive-wait-to-restore
|   +---rw hold-off-timer?
|   +---ro status?
|
|   ...
+---rw xpic-pairs {xpic}?
| +---rw xpic-pair* [name]
|   +---rw name
|   +---rw enabled? boolean
|   +---rw members*
+---rw mimo-groups {mimo}?
| +---rw mimo-group* [name]
|   +---rw name string
|   +---rw enabled? boolean
|   +---rw members* leafref

```

```

+---rw mimo-groups {mimo}?
| +---rw mimo-group* [name]
|   +---rw name string
|   +---rw enabled? boolean
|   +---rw members* leafref

```

```

augment /if:interfaces/if:interface:
+---rw id? string
+---rw mode two-plus-zero
+---rw carrier-terminations* CT-1,CT-2 / CT-3, CT-4
+---rw rlp-groups* leafref
+---rw xpic-pairs*
+---rw mimo-groups* leafref {mimo}?
+---rw tdm-connections* [tdm-type] {tdm}?
| +---rw tdm-type identityref
| +---rw tdm-connections uint16

```

```

module: ietf-interfaces
+---rw interfaces
| +---rw interface* [name]
|   +---rw name RLT-1 / RLT-2
|   +---rw type microwaveRadioLinkTerminal
|   +---ro higher-layer-if ETH-1
|   +---ro lower-layer-if CT-1, CT-2 / CT-3, CT-4

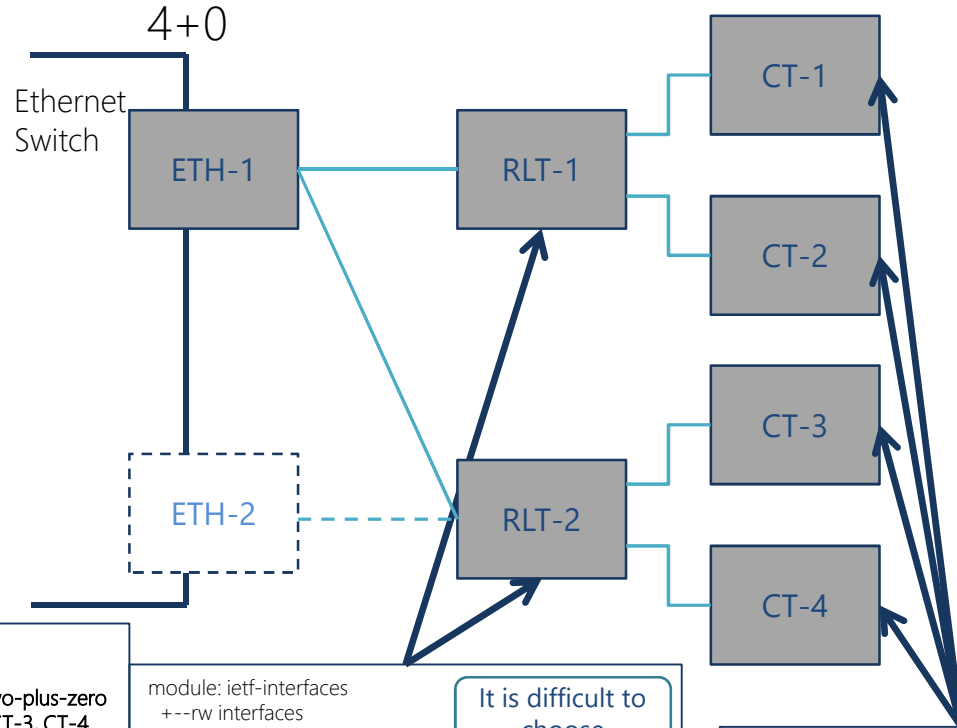
```

It is difficult to choose

```

module: ietf-interfaces
+---rw interfaces
| +---rw interface* [name]
|   +---rw name CT-1, CT-2, CT-3, CT-4
|   +---rw type microwaveCarrierTermination
|   +---ro higher-layer-if RLT-1

```



```

+---rw radio-link-protection-groups
| +---rw protection-group* [name]
| | +---rw name
| | +---rw protection-architecture-type?
| | +---rw members*
| | +---rw operation-type?
| | +---rw working-entity
| | +---rw revertive-wait-to-restore
| | +---rw hold-off-timer?
| | +---ro status?
| ...
+---rw xpic-pairs {xpic}?
| +---rw xpic-pair* [name]
| | +---rw name
| | +---rw enabled? boolean
| | +---rw members*
+---rw mimo-groups {mimo}?
| +---rw mimo-group* [name]
| | +---rw name string
| | +---rw enabled? boolean
| | +---rw members* leafref

```

```

+---rw mimo-groups {mimo}?
| +---rw mimo-group* [name]
| | +---rw name string
| | +---rw enabled? boolean
| | +---rw members* leafref

```

Choice does not contain any case statement, is it correct?

```

augment /if:interfaces/if:interface:
+---rw id? string
+---rw (mode-option)
| x--:(mode)
| | x--rw mode identityref
| | +---:(rlt-mode)
| | | +---rw rlt-mode
| | | | +---rw num-bonded-carriers 2
| | | | +---rw num-protecting-carriers 2
+---rw carrier-terminations
+---rw rlp-groups*
+---rw xpic-pairs*

```

4+0 (RFC8561bis)

Ethernet Switch

ETH-1

RLT-1

CT-1

CT-2

CT-3

CT-4

```

module: ietf-interfaces
+---rw interfaces
| +---rw interface* [name]
| | +---rw name RLT-1
| | +---rw type microwaveRadioLinkTerminal
| | +---ro higher-layer-if ETH-1
| | +---ro lower-layer-if CT-1, CT-2, CT-3, CT-4

```

```

module: ietf-interfaces
+---rw interfaces
| +---rw interface* [name]
| | +---rw name CT-1, CT-2, CT-3, CT-4
| | +---rw type microwaveCarrierTermination
| | +---ro higher-layer-if RLT-1

```

```

+---rw radio-link-protection-groups
| +---rw protection-group* [name]
| | +---rw name PRO-1 / PRO-2
| | +---rw protection-architecture-type one-plus-one-type
| | +---rw members* CT-1, CT-3 / CT-2, CT-4
| | +---rw operation-type?
| | +---rw working-entity
| | +---rw revertive-wait-to-restore
| | +---rw hold-off-timer?
| | +---ro status?
| ...
+---rw xpic-pairs {xpic}?
| +---rw xpic-pair* [name]
| | +---rw name XPIC-1 / XPIC-2
| | +---rw enabled? boolean
| | +---rw members* CT-1, CT-2 / CT-3, CT-4
+---rw mimo-groups {mimo}?
| +---rw mimo-group* [name]
| | +---rw name string
| | +---rw enabled? boolean
| | +---rw members* leafref

```

```

+---rw xpic-pairs {xpic}?
| +---rw xpic-pair* [name]
| | +---rw name XPIC-1 / XPIC-2
| | +---rw enabled? boolean
| | +---rw members* CT-1, CT-2 / CT-3, CT-4
+---rw mimo-groups {mimo}?
| +---rw mimo-group* [name]
| | +---rw name string
| | +---rw enabled? boolean
| | +---rw members* leafref

```

```

augment /if:interfaces/if:interface:
+---rw id? string
+---rw mode two-plus-zero
+---rw carrier-terminations* CT-1, CT-2 / CT-3, CT-4
+---rw rlp-groups* PRO-1, PRO-2
+---rw xpic-pairs* XPIC-1 / XPIC-2
+---rw mimo-groups* leafref {mimo}?
+---rw tdm-connections* [tdm-type] {tdm}?
| +---rw tdm-type identityref
| +---rw tdm-connections uint16

```

```

module: ietf-interfaces
+---rw interfaces
| +---rw interface* [name]
| | +---rw name RLT-1 / RLT-2
| | +---rw type microwaveRadioLinkTerminal
| | +---ro higher-layer-if ETH-1
| | +---ro lower-layer-if CT-1, CT-2 / CT-3, CT-4

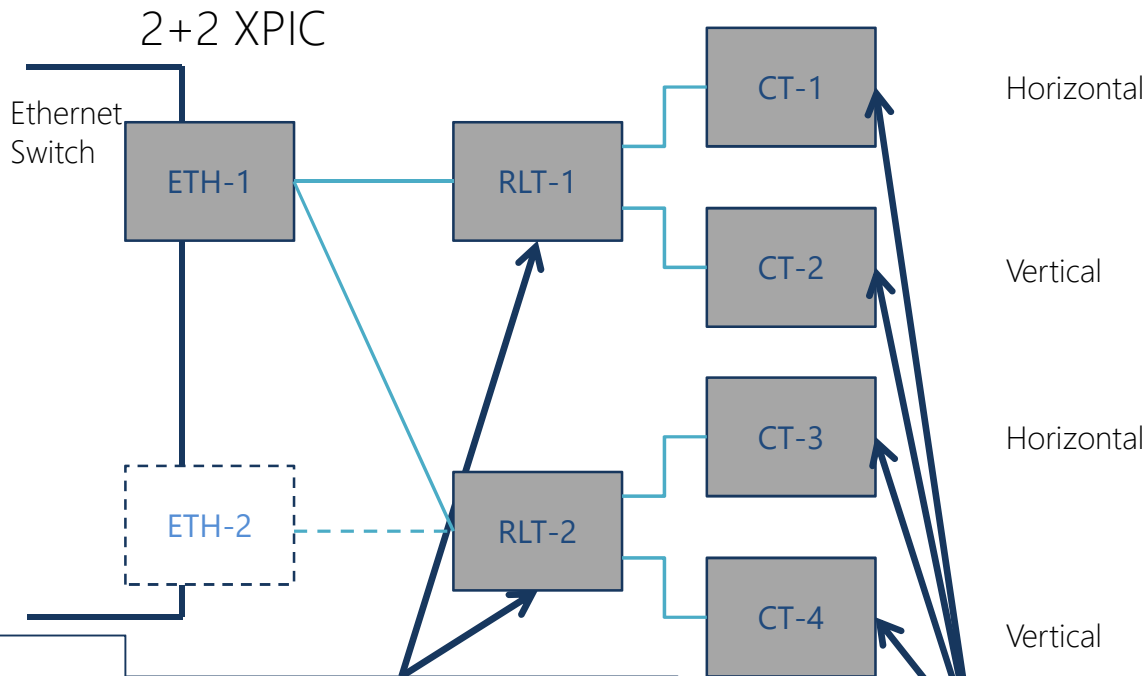
```

It is difficult to choose

```

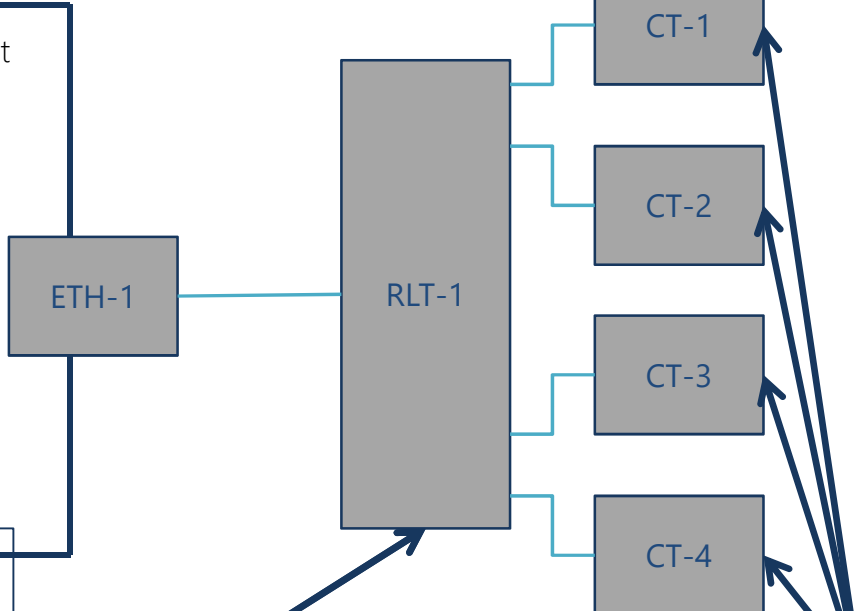
module: ietf-interfaces
+---rw interfaces
| +---rw interface* [name]
| | +---rw name CT-1 / CT-2 / CT-3 / CT-4
| | +---rw type microwaveCarrierTermination
| | +---ro higher-layer-if RLT-1, RLT-1, RLT-1, RLT-1

```



2+2 XPIC (RFC8561bis)

Ethernet Switch



```

+++rw radio-link-protection-groups
|   +---rw protection-group* [name]
|       +---rw name          PRO-1 / PRO-2
|       +---rw protection-architecture-type one-plus-one-type
|       +---rw members*     CT-1, CT-3 / CT-2, CT-4
|       +---rw operation-type?
|       +---rw working-entity
|       +---rw revertive-wait-to-restore
|       +---rw hold-off-timer?
|       +---ro status?
|
|   ...
+++rw xplic-pairs {xplic}?
|   +---rw xplic-pair* [name]
|       +---rw name          XPIC-1 / XPIC-2
|       +---rw enabled?     boolean
|       +---rw members*     CT-1, CT-2 / CT-3, CT-4
+++rw mimo-groups {mimo}?
|   +---rw mimo-group* [name]
|       +---rw name          string
|       +---rw enabled?     boolean
|       +---rw members*     leafref
    
```

```

+++rw xplic-pairs {xplic}?
|   +---rw xplic-pair* [name]
|       +---rw name          XPIC-1 / XPIC-2
|       +---rw enabled?     boolean
|       +---rw members*     CT-1, CT-2 / CT-3, CT-4
+++rw mimo-groups {mimo}?
|   +---rw mimo-group* [name]
|       +---rw name          string
|       +---rw enabled?     boolean
|       +---rw members*     leafref
    
```

```

augment /if:interfaces/if:interface:
  +---rw id?          string
  +---rw (mode-option)
  |   x--:(mode)
  |   | x--rw mode          identityref
  |   +---:(rlt-mode)
  |       +---rw rlt-mode
  |           +---rw num-bonded-carriers 2
  |           +---rw num-protecting-carriers 2
  +---rw carrier-terminations* CT-1, CT-2, CT-3, CT-4
  +---rw rlp-groups* PRO-1, PRO-2
  +---rw xplic-pairs* XPIC-1, XPIC-2
    
```

Choice does not contain any case statement, is it correct?

```

module: ietf-interfaces
+---rw interfaces
|   +---rw interface* [name]
|       +---rw name          RLT-1
|       +---rw type          microwaveRadioLinkTerminal
|       +---ro higher-layer-if ETH-1
|       +---ro lower-layer-if CT-1, CT-2, CT-3, CT-4
    
```

```

module: ietf-interfaces
+---rw interfaces
|   +---rw interface* [name]
|       +---rw name          CT-1 / CT-2 / CT-3 / CT-4
|       +---rw type          microwaveCarrierTermination
|       +---ro higher-layer-if RLT-1, RLT-1, RLT-1, RLT-1
    
```