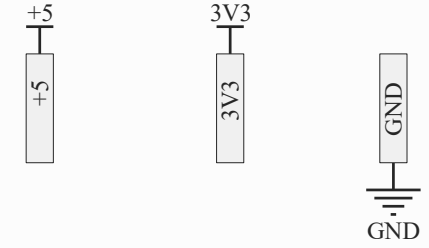
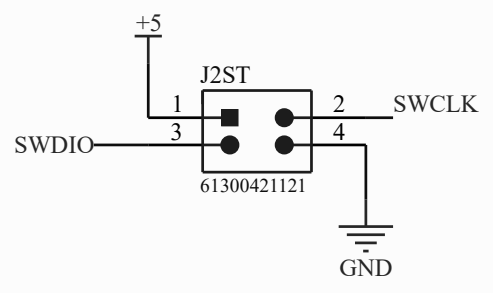


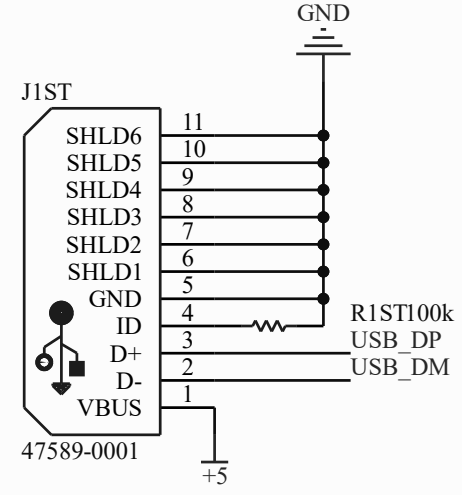
Power Connecten



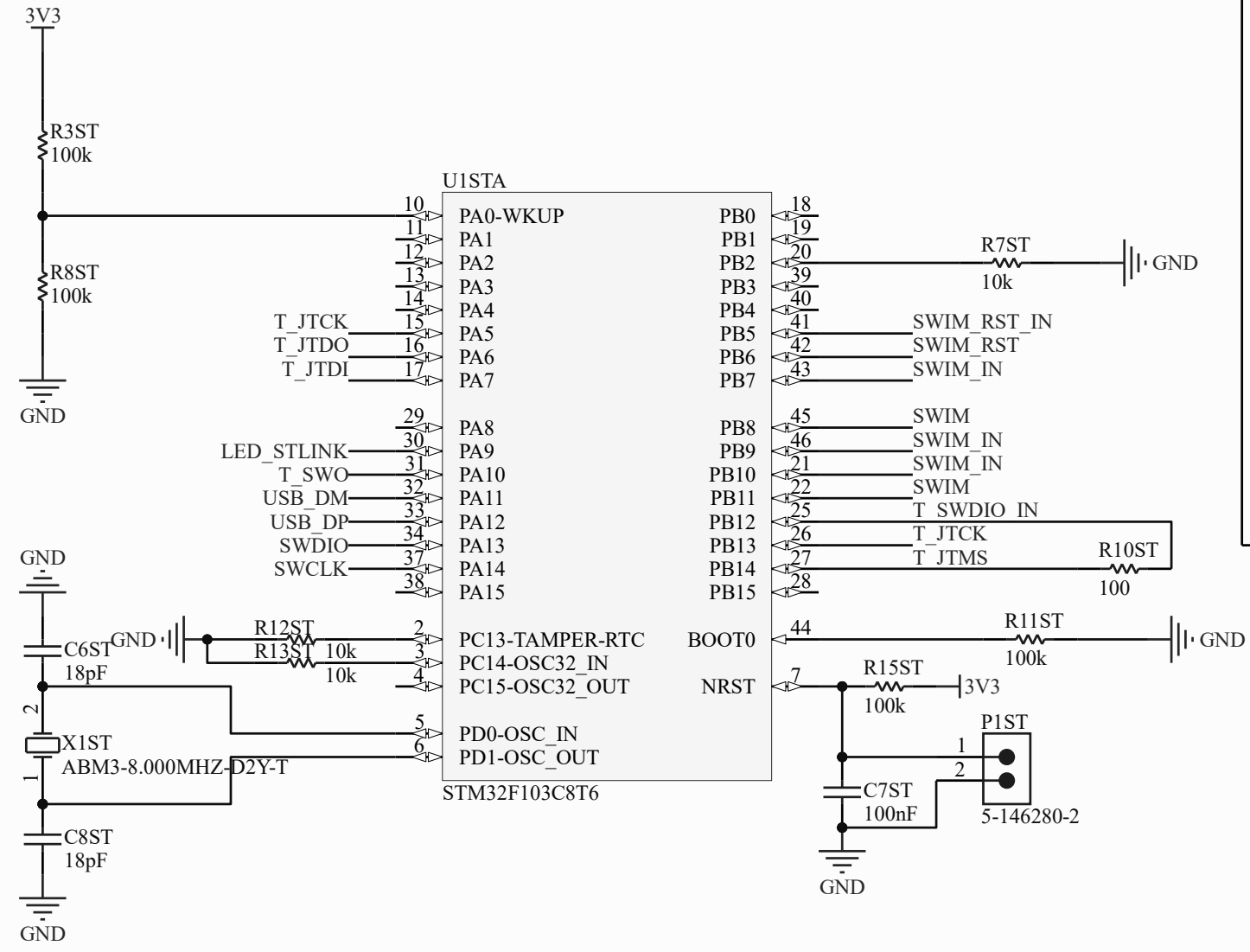
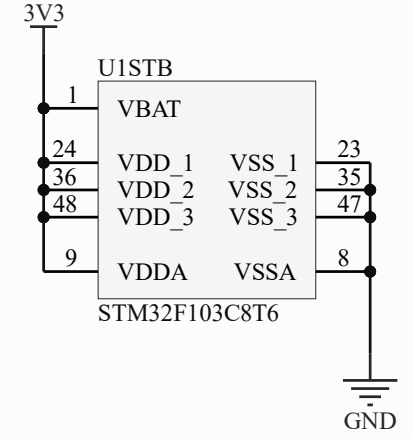
STLINK Firmware Flash



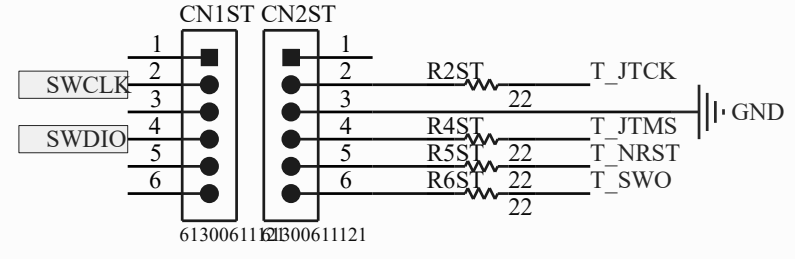
USB STLINK



Power uC STLINK

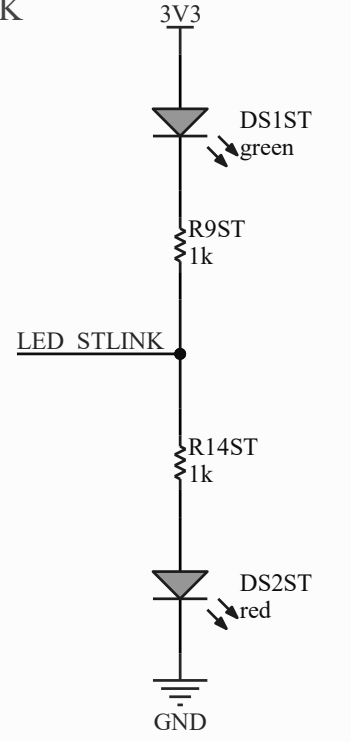


SWD



- CN2  
 Pin 1: n.c.  
 Pin 2: SWCLK  
 Pin 3: GND  
 Pin 4: SWDIO  
 Pin 5: NRST  
 Pin 6: SWO

LED STLINK



Title		
<b>Bootloader V1 ST-Link/V2</b>		
Size	Number	Revision
A4		0.1
Date:	2.26.2020	Sheet of
File:	C:\Users\...\Bootloader.SchDoc	Drawn By: Benjamin Brandt