



# DATA SHEET

( DOC No. HX8347-G(T)-DS )

## HX8347-G(T)

240RGB x 320 dot, 262K color,  
with internal GRAM,

TFT Mobile Single Chip Driver

*Preliminary version 01 October, 2009*

**Himax Technologies, Inc.**

<http://www.himax.com.tw>

For 思泉 Only

# HX8347-G(T)

240RGB x 320 dot, 262K color, with internal GRAM, TFT Mobile Single Chip Driver



Himax Technologies, Inc.  
<http://www.himax.com.tw>

## List of Contents

October, 2009

<b>1. General Description</b>	<b>12</b>
<b>2. Features</b>	<b>13</b>
2.1 Display	13
2.2 Display Module	13
2.3 Display Control Interface	13
2.4 Input power	14
2.5 Miscellaneous	14
<b>3. Block Diagram</b>	<b>15</b>
3.1 Block diagram	15
3.2 Pin description	16
3.3 Pin assignment	19
3.4 PAD coordinates	20
3.5 Bump arrangement	26
3.6 Alignment mark	27
<b>4. Interface</b>	<b>28</b>
4.1 System interface circuit	29
4.1.1 Parallel bus system interface	30
4.1.2 MCU data color coding	32
4.1.3 Serial bus system interface	45
4.2 RGB Interface	49
4.2.1 Color order on RGB interface	53
4.2.2 RGB data color coding	54
<b>5. Function Description</b>	<b>57</b>
5.1 Display data GRAM mapping	57
5.2 Address Counter (AC) of GRAM	57
5.2.1 System interface to GRAM write direction	58
5.3 GRAM to display address mapping	63
5.3.1 Normal display on or partial mode on, vertical scroll off	65
5.3.2 Vertical scroll display mode	67
5.3.3 Updating order on display active area in RGB interface mode	70
5.4 Tearing effect output line	73
5.4.1 Tearing effect line modes	73
5.4.2 Tearing effect line timing	75
5.4.3 Example 1: MPU write is faster than panel read	76
5.4.4 Example 2: MPU write is slower than panel read	77
5.5 Oscillator	78
5.6 Source driver	78
5.7 Gate driver	78
5.8 Scan mode setting	79
5.9 LCD power generation circuit	80
5.9.1 Power supply circuit	80
5.9.2 LCD power generation scheme	82
5.10 Gamma characteristic correction function	83
5.10.1 Gamma characteristic correction function	84
5.10.2 Gray voltage generator for digital gamma correctiontearing effect line modes	104
5.11 Power on/off sequence	105
5.12 Input/output pin state	109
5.12.1 Output pins	109
5.12.2 Input pins	109
5.13 OTP Programing	110
5.13.1 OTP table	110
5.13.2 OTP programming flow	111
5.14 Content Adaptive Brightness Control (CABC) function	113
5.14.1 Module architectures	114
5.14.2 Brightness control block	115
5.14.3 Minimum brightness setting of CABC function	116

# HX8347-G(T)

240RGB x 320 dot, 262K color, with internal GRAM, TFT Mobile Single Chip Driver



Himax Technologies, Inc.  
<http://www.himax.com.tw>

## List of Contents

October, 2009

5.14.4	Display dimming .....	116
<b>6.</b>	<b>Command .....</b>	<b>117</b>
6.1	Command set .....	118
6.2	Index register .....	123
6.3	Himax ID register (PAGE0 - R00h).....	123
6.4	Display mode control register (PAGE0 -01h) .....	123
6.5	Column address start register (PAGE0 -02~03h).....	124
6.6	Column address end register (PAGE0 -04~05h).....	125
6.7	Row address start register (PAGE0 -06~07h).....	125
6.8	Row address end register (PAGE0 -08~09h).....	125
6.9	Partial area start row register (PAGE0 -0A~0Bh).....	126
6.10	Partial area end row register (PAGE0 -0C~0Dh).....	126
6.11	Vertical scroll top fixed area register (PAGE0 -0E~0Fh) .....	128
6.12	Vertical scroll height area register (PAGE0 -10~11h).....	128
6.13	Vertical scroll button fixed area register (PAGE0 -12~13h).....	128
6.14	Vertical scroll start address register (PAGE0 -14~15h).....	130
6.15	Memory access control register (PAGE0 -16h).....	131
6.16	COLMOD control register (PAGE0 -17h).....	132
6.17	OSC control register (PAGE0 -18h & R19h) .....	133
6.18	Power control 1 register (PAGE0 -1Ah).....	134
6.19	Power control 2 register (PAGE0 -1Bh).....	135
6.20	Power control 3 register (PAGE0 -1Ch).....	136
6.21	Power control 4 register (PAGE0 -1Dh).....	136
6.22	Power control 5 register (PAGE0 -1Eh).....	137
6.23	Power control 6 register (PAGE0 -1Fh).....	138
6.24	Read data register (PAGE0 -22h).....	139
6.25	VCOM control 1~3 register (PAGE0 -23~25h) .....	140
6.26	Display control 1 register (PAGE0 -26h~R28h).....	143
6.27	Frame control register (PAGE0 -29h~R2Ch).....	146
6.28	Cycle control register (PAGE0 -2Dh~R2Eh).....	148
6.29	Display inversion register (PAGE0 -2Fh).....	149
6.30	RGB interface control register (PAGE0 -31h~R34h).....	150
6.31	Panel characteristic control register (PAGE0 -36h).....	152
6.32	OTP register (PAGE0 -38h ~ R3Ah).....	153
6.33	CABC control 1~4 register (PAGE0 -3Ch~3Fh) .....	154
6.34	Gamma control 1~35 register (PAGE0 -40h~5Dh).....	156
6.35	TE control register (PAGE0 -60h, 84h~85h).....	161
6.36	ID register (PAGE0 -R61h~R63h) .....	162
6.37	Power saving internal control register (PAGE0 -RE4h~RE7h).....	163
6.38	Source OP control (PAGE0 -RE8h~E9h) .....	164
6.39	Power control internal used (PAGE0 -REAh~ECh) .....	165
6.40	Command page select register (RFFh) .....	165
6.41	DGC Control register (PAGE1 -00h).....	166
6.42	DGC LUT register (PAGE1 -01h~63h) .....	166
6.43	CABC control 5~7 register (PAGE1 - RC3h, RC5h, RC7h).....	167
6.44	Gain select register 0~8 (PAGE1 - RCBh~D3h).....	168
<b>7.</b>	<b>Layout Recommendation .....</b>	<b>170</b>
7.1	Maximum layout resistance .....	171
7.2	External components connection .....	172
<b>8.</b>	<b>Electrical Characteristic .....</b>	<b>173</b>
8.1	Absolute maximum ratings .....	173
8.2	ESD protection level .....	173
8.3	DC characteristics .....	174
8.4	Current consumption .....	176
8.5	AC characteristics.....	177

# » HX8347-G(T)

240RGB x 320 dot, 262K color, with internal GRAM, TFT Mobile Single Chip Driver



Himax Technologies, Inc.  
<http://www.himax.com.tw>

## List of Contents

October, 2009

8.5.1	Parallel interface characteristics (8080-series MPU) .....	177
8.5.2	Serial interface characteristics .....	180
8.5.3	RGB interface characteristics .....	181
8.5.4	Reset input timing .....	183
9.	Ordering Information.....	184
10.	Revision History .....	184

Himax Confidential  
Do Not Copy

# » HX8347-G(T)

240RGB x 320 dot, 262K color, with internal GRAM, TFT Mobile Single Chip Driver



Himax Technologies, Inc.  
<http://www.himax.com.tw>

## List of Figures

October, 2009

Figure 4.1: Register read/write timing in parallel bus system interface (for I80 series MPU) .....	30
Figure 4.2: GRAM read/write timing in parallel bus system interface (for I80 series MPU).....	31
Figure 4.3: Example of I80- system 18-bit parallel bus interface .....	34
Figure 4.4: Input data bus and GRAM data mapping in 18-bit bus system interface with 18-bit-data Input ("IM3, IM2, IM1, IM"="1010" or "1000") .....	34
Figure 4.5: Example of I80 system 16-bit parallel bus interface type I .....	35
Figure 4.6: Example of I80 system 16-bit parallel bus interface type II .....	35
Figure 4.7: Input data bus and GRAM data mapping in 16-bit bus system interface with 12-bit-data input (R17H=03h and "IM3, IM2, IM1, IM0"="0000") .....	36
Figure 4.8: Input data bus and GRAM data mapping in 16-bit bus system interface with 16-bit-data input (R17H=05h and "IM3, IM2, IM1, IM0"="0000") .....	36
Figure 4.9: Input data bus and GRAM data mapping in 16-bit bus system interface with 18 bit-data input (R17H=06h and "IM3, IM2, IM1, IM0"="0000") .....	36
Figure 4.10: Input data bus and GRAM data mapping in 16-bit bus system interface with 18(16+2) bit-data input (R17H=07h and "IM3, IM2, IM1, IM0"="0000") .....	36
Figure 4.11: Input data bus and GRAM data mapping in 16-bit bus system interface with 12-bit-data input (R17H=03h and "IM3, IM2, IM1, IM0"="0010") .....	37
Figure 4.12: Input data bus and GRAM data mapping in 16-bit bus system interface with 16-bit-data input (R17H=05h and "IM3, IM2, IM1, IM0"="0010") .....	37
Figure 4.13: Input data bus and GRAM data mapping in 16-bit bus system interface with 18(12+6) bit-data input (R17H=06h and "IM3, IM2, IM1, IM0"="0010") .....	37
Figure 4.14: Input data bus and GRAM data mapping in 16-bit bus system interface with 18(16+2) bit-data input (R17H=07h and "IM3, IM2, IM1, IM0"="0010") .....	37
Figure 4.15: Example of I80 system 9-bit parallel bus interface type I .....	38
Figure 4.16: Example of I80 system 9-bit parallel bus interface type II .....	38
Figure 4.17: Input data bus and GRAM data mapping in 9-bit bus system interface with 18-bit-data input (R17H=06h and "IM3, IM2, IM1, IM0"="1001") .....	39
Figure 4.18: Input data bus and GRAM data mapping in 9-bit bus system interface with 18-bit-data input (R17H=06h and "IM3, IM2, IM1, IM0"="1011").....	39
Figure 4.19: Example of I80 system 8-bit parallel bus interface type I .....	40
Figure 4.20: Example of I80 system 8-bit parallel bus interface type II .....	40
Figure 4.21: Input data bus and GRAM data mapping in 8-bit bus system interface with 12-bit-data input (R17H=03h and "IM3, IM2, IM1, IM0"="0001") .....	41
Figure 4.22: Input data bus and GRAM data mapping in 8-bit bus system interface with 16-bit-data input (R17H=05h and "IM3, IM2, IM1, IM0"="0001") .....	41
Figure 4.23: Input data bus and GRAM data mapping in 8-bit bus system interface with 18-bit-data input (R17H=06h and "IM3, IM2, IM1, IM0"="0001") .....	41
Figure 4.24: Input data bus and GRAM data mapping in 8-bit bus system interface with 12-bit-data input (R17H=03h and "IM3, IM2, IM1, IM0"="0011").....	42
Figure 4.25: Input data bus and GRAM data mapping in 8-bit bus system interface with 16-bit-data input (R17H=05h and "IM3, IM2, IM1, IM0"="0011").....	42
Figure 4.26: Input data bus and GRAM data mapping in 8-bit bus system interface with 18-bit-data input (R17H=06h and "IM3, IM2, IM1, IM0"="0011").....	42
Figure 4.27: Index register read/write timing in 3-wire serial bus system interface .....	46
Figure 4.28: Data write timing in 3-wire serial bus system interface.....	47
Figure 4.29: Index register write timing in 4-wire serial bus system interface .....	48
Figure 4.30: Data write timing in 4-wire serial bus system interface.....	48
Figure 4.31: DOTCLK cycle .....	49
Figure 4.32: RGB interface circuit input timing diagram .....	50
Figure 4.33: RGB mode timing diagram.....	51
Figure 4.34: RGB 18-bit/pixel on 6-bit data width .....	54
Figure 4.35: RGB 16-bit/pixel on 16-bit data width .....	55
Figure 4.36: RGB 18-bit/pixel on 18-bit data width .....	56
Figure 5.1: Image data sending order from host.....	58

# » HX8347-G(T)

240RGB x 320 dot, 262K color, with internal GRAM, TFT Mobile Single Chip Driver



Himax Technologies, Inc.  
<http://www.himax.com.tw>

## List of Figures

October, 2009

Figure 5.2: Image data writing control.....	58
Figure 5.3: Example for rotation with MY, MX and MV - 1.....	61
Figure 5.4: Example for rotation with MY, MX and MV - 2.....	62
Figure 5.5: Partial Display Area Setting (ML='0').....	66
Figure 5.6: Partial Display Area Setting (ML='1').....	66
Figure 5.7: Vertical scrolling.....	67
Figure 5.8: Memory map of vertical scrolling 1.....	67
Figure 5.9: Memory map of vertical scrolling 2.....	68
Figure 5.10: Memory map of vertical scrolling 3.....	68
Figure 5.11: Vertical scrolling example.....	69
Figure 5.12: Data streaming order in RGB I/F.....	70
Figure 5.13: Updating order when MY = '0' and MX = '0'.....	71
Figure 5.14: Updating order when MY = '0' and MX = '1'.....	71
Figure 5.15: Updating order when MY = '1' and MX = '0'.....	72
Figure 5.16: Updating order when MY = '1' and MX = '1'.....	72
Figure 5.17: TE mode 1 output.....	73
Figure 5.18: TE delay output.....	73
Figure 5.19: TE mode 2 output.....	74
Figure 5.20: TE output waveform.....	74
Figure 5.21: Waveform of tearing effect signal.....	75
Figure 5.22: Timing of tearing effect signal.....	75
Figure 5.23: Timing of MPU write is faster than panel read.....	76
Figure 5.24: Display of MPU write is faster than panel read.....	76
Figure 5.25: Timing of MPU write is slower than panel read.....	77
Figure 5.26: Display of MPU write is slower than panel read.....	77
Figure 5.27: HX8347-G internal clock circuit.....	78
Figure 5.28: Gate scan mode.....	79
Figure 5.29: Block diagram of HX8347-G power circuit.....	80
Figure 5.30: LCD power generation scheme.....	82
Figure 5.31: Gamma adjustments different of source driver with digital gamma correction.....	83
Figure 5.32: Grayscale control.....	84
Figure 5.33: Gamma resister stream and gamma reference voltage.....	86
Figure 5.34: Relationship between source output and Vcom.....	103
Figure 5.35: Relationship between GRAM data and output level (normal white panel REV_Panel="0").....	103
Figure 5.36: Block diagram of digital gamma correction.....	104
Figure 5.37: Display on/off set flow.....	105
Figure 5.38: Standby mode setting flow.....	106
Figure 5.39: Deep standby mode setting flow.....	107
Figure 5.40: Power supply setting flow.....	108
Figure 5.41: Example of CABC function.....	113
Figure 5.42: CABC block diagram.....	113
Figure 5.43: CABC_PWM_OUT output duty.....	115
Figure 5.44: Dimming function.....	116
Figure 6.1: Index register.....	123
Figure 6.2: Himax ID register (PAGE0 -00h).....	123
Figure 6.3: Display mode control register (PAGE0 -01h).....	123
Figure 6.4: Column address start register upper byte (PAGE0 -02h).....	124
Figure 6.5: Column address start register low byte (PAGE0 -03h).....	124
Figure 6.6: Column address end register upper byte (PAGE0 -04h).....	125
Figure 6.7: Column address end register low byte (PAGE0 -05h).....	125
Figure 6.8: Row address start register upper byte (PAGE0 -06h).....	125
Figure 6.9: Row address start register low byte (PAGE0 -07h).....	125
Figure 6.10: Row address end register upper byte (PAGE0 -08h).....	125
Figure 6.11: Row address end register low byte (PAGE0 -09h).....	125

# » HX8347-G(T)

240RGB x 320 dot, 262K color, with internal GRAM, TFT Mobile Single Chip Driver



Himax Technologies, Inc.  
<http://www.himax.com.tw>

## List of Figures

October, 2009

Figure 6.12: Partial area start row register upper byte (PAGE0 -0Ah) .....	126
Figure 6.13: Partial area start row register low byte (PAGE0 -0Bh) .....	126
Figure 6.14: Partial area end row register upper byte (PAGE0 -0Ch) .....	126
Figure 6.15: Partial area end row register low byte (PAGE0 -0Dh) .....	126
Figure 6.16: Vertical scroll top fixed area register upper byte (PAGE0 -0Eh) .....	128
Figure 6.17: Vertical scroll top fixed area register low byte (PAGE0 -0Fh) .....	128
Figure 6.18: Vertical scroll height area register upper byte (PAGE0 -10h) .....	128
Figure 6.19: Vertical scroll height area register low byte (PAGE0 -11h) .....	128
Figure 6.20: Vertical scroll button fixed area register upper byte (PAGE0 -12h) .....	128
Figure 6.21: Vertical scroll button fixed area register low byte (PAGE0 -13h) .....	128
Figure 6.22: Vertical scroll start address register upper byte (PAGE0 -14h) .....	130
Figure 6.23: Vertical scroll start address register low byte (PAGE0 -15h) .....	130
Figure 6.24: Memory access control register (PAGE0 -16h) .....	131
Figure 6.25: COLMOD control register (PAGE0 -17h) .....	132
Figure 6.26: OSC control 1 register (PAGE0 -18h) .....	133
Figure 6.27: OSC control 2 register (PAGE0 -19h) .....	133
Figure 6.28: Power control 1 register (PAGE0 -1Ah) .....	134
Figure 6.29: Power control 2 register (PAGE0 -1Bh) .....	135
Figure 6.30: Power control 3 register (PAGE0 -1Ch) .....	136
Figure 6.31: Power control 4 register (PAGE0 -1Dh) .....	136
Figure 6.32: Power control 5 register (PAGE0 -1Eh) .....	137
Figure 6.33: Power control 6 register (PAGE0 -1Fh) .....	138
Figure 6.34: Read data register (PAGE0 -22h) .....	139
Figure 6.35: Vcom control 1 register (PAGE0 -23h) .....	140
Figure 6.36: Vcom control 2 register (PAGE0 -24h) .....	140
Figure 6.37: Vcom control 3 register (PAGE0 -25h) .....	140
Figure 6.38: Display control 1 register (PAGE0 -26h) .....	143
Figure 6.39: Display control 2 register (PAGE0 -27h) .....	143
Figure 6.40: Display control 3 register (PAGE0 -28h) .....	143
Figure 6.41: Frame control 1 register (PAGE0 -29h) .....	146
Figure 6.42: Frame control 2 register (PAGE0 -2Ah) .....	146
Figure 6.43: Frame control 3 register (PAGE0 -2Bh) .....	146
Figure 6.44: Frame control 4 register (PAGE0 -2Ch) .....	146
Figure 6.45: Cycle control register 1 (PAGE0 -2Dh) .....	148
Figure 6.46: Cycle control register 2 (PAGE0 -2Eh) .....	148
Figure 6.47: Cycle control register (PAGE0 -2Fh) .....	149
Figure 6.48: RGB interface control register (PAGE0 -31h) .....	150
Figure 6.49: RGB interface control register (PAGE0 -32h) .....	150
Figure 6.50: RGB interface control register (PAGE0 -33h) .....	150
Figure 6.51: RGB interface control register (PAGE0 -34h) .....	150
Figure 6.52: Panel characteristic control register (PAGE0 -36h) .....	152
Figure 6.53: OTP command 1 (PAGE0 -38h) .....	153
Figure 6.54: OTP command 2 (PAGE0 -39h) .....	153
Figure 6.55: OTP command 3 (PAGE0 -3Ah) .....	153
Figure 6.56: OTP command 3 (PAGE0 -3Bh) .....	153
Figure 6.57: CABC control 1 register (PAGE0 -3Ch) .....	154
Figure 6.58: CABC control 2 register (PAGE0 -3Dh) .....	154
Figure 6.59: CABC control 3 register (PAGE0 -3Eh) .....	154
Figure 6.60: CABC control 4 register (PAGE0 -3Fh) .....	154
Figure 6.61: Gamma control 1 register (PAGE0 -40h) .....	156
Figure 6.62: Gamma control 2 register (PAGE0 -41h) .....	156
Figure 6.63: Gamma control 3 register (PAGE0 -42h) .....	156
Figure 6.64: Gamma control 4 register (PAGE0 -43h) .....	156
Figure 6.65: Gamma control 5 register (PAGE0 -44h) .....	156
Figure 6.66: Gamma control 6 register (PAGE0 -45h) .....	156

# » HX8347-G(T)

240RGB x 320 dot, 262K color, with internal GRAM, TFT Mobile Single Chip Driver



Himax Technologies, Inc.  
<http://www.himax.com.tw>

## List of Figures

October, 2009

Figure 6.67: Gamma control 7 register (PAGE0 -46h).....	157
Figure 6.68: Gamma control 8 register (PAGE0 -47h).....	157
Figure 6.69: Gamma control 9 register (PAGE0 -48h).....	157
Figure 6.70: Gamma control 10 register (PAGE0 -49h).....	157
Figure 6.71: Gamma control 11 register (PAGE0 -4Ah).....	157
Figure 6.72: Gamma control 12 register (PAGE0 -4Bh).....	157
Figure 6.73: Gamma control 13 register (PAGE0 -4Ch).....	158
Figure 6.74: Gamma control 14 register (PAGE0 -50h).....	158
Figure 6.75: Gamma control 15 register (PAGE0 -51h).....	158
Figure 6.76: Gamma control 16 register (PAGE0 -52h).....	158
Figure 6.77: Gamma control 17 register (PAGE0 -53h).....	158
Figure 6.78: Gamma control 18 register (PAGE0 -54h).....	158
Figure 6.79: Gamma control 19 register (PAGE0 -55h).....	159
Figure 6.80: Gamma control 20 register (PAGE0 -56h).....	159
Figure 6.81: Gamma control 21 register (PAGE0 -57h).....	159
Figure 6.82: Gamma control 22 register (PAGE0 -58h).....	159
Figure 6.83: Gamma control 23 register (PAGE0 -59h).....	159
Figure 6.84: Gamma control 24 register (PAGE0 -5Ah).....	160
Figure 6.85: Gamma control 25 register (PAGE0 -5Bh).....	160
Figure 6.86: Gamma control 26 register (PAGE0 -5Ch).....	160
Figure 6.87: Gamma control 27 register (PAGE0 -5Dh).....	160
Figure 6.88: TE control register (PAGE0 -60h).....	161
Figure 6.89: TE output line2 register (PAGE0 -84h).....	161
Figure 6.90: TE output line1 register (PAGE0 -85h).....	161
Figure 6.91: ID1 register (PAGE0 -61h).....	162
Figure 6.92: ID2 register (PAGE0 -62h).....	162
Figure 6.93: ID3 register (PAGE0 -63h).....	162
Figure 6.94: Power saving internal control register (R68h).....	163
Figure 6.95: Power saving Internal control register (R69h).....	163
Figure 6.96: Power saving Internal control register (R70h).....	163
Figure 6.97: Power saving Internal control register (R71h).....	163
Figure 6.98: Source OP control register (PAGE0 -RE8h).....	164
Figure 6.99: Source OP control register (PAGE0 -RE9h).....	164
Figure 6.100: Power control internal used (1) register (PAGE0 -REAh).....	165
Figure 6.101: Power control internal used (2) register (PAGE0 -REBh).....	165
Figure 6.102: Source control internal used (1) register (PAGE0 -RECh).....	165
Figure 6.103: Source control internal used (2) register (PAGE0 -REDh).....	165
Figure 6.104: Command page select register (RFFh).....	165
Figure 6.105: DGC control register (PAGE1 -00h).....	166
Figure 6.106: DGC LUT register (PAGE1 -01h~63h).....	166
Figure 6.107: CABC control 5 (PAGE1 - RC3h).....	167
Figure 6.108: CABC control 6 (PAGE1 - RC5h).....	167
Figure 6.109: CABC control 7 (PAGE1 - RC7h).....	167
Figure 6.110: Gain select register 0 (PAGE1 - RCBh).....	168
Figure 6.111: Gain select register 1 (PAGE1 - RCCh).....	168
Figure 6.112: Gain select register 2 (PAGE1 - RCDh).....	168
Figure 6.113: Gain select register 3 (PAGE1 - RCEh).....	168
Figure 6.114: Gain select register 4 (PAGE1 - RCFh).....	168
Figure 6.115: Gain select register 5 (PAGE1 - RD0h).....	168
Figure 6.116: Gain select register 6 (PAGE1 - RD1h).....	169
Figure 6.117: Gain select register 7 (PAGE1 - RD2h).....	169
Figure 6.118: Gain select register 8 (PAGE1 - RD3h).....	169
Figure 7.1: Layout recommendation of HX8347-G.....	170
Figure 8.1: Parallel interface characteristics (8080-series MPU).....	177
Figure 8.2: Chip select timing.....	178



» **HX8347-G(T)**

240RGB x 320 dot, 262K color, with internal  
GRAM, TFT Mobile Single Chip Driver



**Himax Technologies, Inc.**  
<http://www.himax.com.tw>

**List of Figures**

October, 2009

---

Figure 8.3: Write to read and read to write timing.....	179
Figure 8.4: Serial interface characteristics.....	180
Figure 8.5: Reset input timing.....	183

Himax Confidential  
Do Not Copy

# HX8347-G(T)

240RGB x 320 dot, 262K color, with internal GRAM, TFT Mobile Single Chip Driver



Himax Technologies, Inc.  
<http://www.himax.com.tw>

## List of Tables

October, 2009

Table 4.1: Input bus format selection of system interface circuit .....	29
Table 4.2: Data pin function for I80 series CPU .....	30
Table 4.3: 8-bit parallel interface type I GRAM write table .....	32
Table 4.4: 16-bit parallel interface type I GRAM write table .....	32
Table 4.5: 9-bit parallel interface type I GRAM write table .....	32
Table 4.6: 18-bit parallel interface type I GRAM write table .....	32
Table 4.7: 8-bit parallel interface type II GRAM write table .....	33
Table 4.8: 16-bit parallel interface type II GRAM write set table .....	33
Table 4.9: 9-bit parallel interface set type II GRAM write table .....	33
Table 4.10: 18-bit parallel interface type II GRAM write set table .....	33
Table 4.11: 8-bit parallel interface type I GRAM read table .....	43
Table 4.12: 16-bit parallel interface type I GRAM read table .....	43
Table 4.13: 9-bit parallel interface type I GRAM read table .....	43
Table 4.14: 18-bit parallel interface type I GRAM read table .....	43
Table 4.15: 8-bit parallel interface type II GRAM read table .....	44
Table 4.16: 16-bit parallel interface type II GRAM read table .....	44
Table 4.17: 9-bit parallel interface type II GRAM read table .....	44
Table 4.18: 18-bit parallel interface type II GRAM read table .....	44
Table 4.19: Function of RS and R/W bit bus .....	45
Table 4.20: RGB interface bus width set table .....	52
Table 4.21: Meaning of pixel information for main colors on RGB interface .....	53
Table 5.1: GRAM address for display panel position .....	57
Table 5.2: CASET and PASET control for physical column/page pointers .....	58
Table 5.3: Rules for updating GRAM rrdre .....	59
Table 5.4: Address direction settings .....	60
Table 5.5: GRAM X address and display panel position .....	63
Table 5.6: GRAM address and display panel position (GS_Panel = '0') .....	64
Table 5.7: GRAM address and display panel position (GS_Panel = '0') .....	64
Table 5.8: ISC [3:0] Bits Definition .....	66
Table 5.9: Rules for updating order on display active area in RGB interface display mode .....	72
Table 5.10: AC characteristics of tearing effect signal .....	75
Table 5.11: Adoptability of capacitor .....	81
Table 5.12: Gamma-adjustment registers .....	85
Table 5.13: Offset adjustment 0 ~ 5 .....	87
Table 5.14: Center adjustment .....	87
Table 5.15: VinP/N 0 .....	88
Table 5.16: VinP/N 1 .....	89
Table 5.17: VinP/N 2 .....	90
Table 5.18: VinP/N 10 .....	91
Table 5.19: VinP/N 11 .....	92
Table 5.20: VinP/N 12 .....	93
Table 5.21: VinP/N4 .....	95
Table 5.22: VinP/N 8 .....	97
Table 5.23: VinP/N 3 .....	98
Table 5.24: VinP/N 5 .....	98
Table 5.25: VinP/N 6 .....	99
Table 5.26: VinP/N 7 .....	99
Table 5.27: VinP/N 9 .....	100
Table 5.28: Voltage calculation formula of 64-grayscale voltage (positive polarity) .....	101
Table 5.29: Voltage calculation formula of grayscale voltage V4~V7 and V56~V59 .....	101
Table 5.30: Voltage calculation formula of 64-grayscale voltage (negative polarity) .....	102
Table 5.31: Voltage calculation formula of grayscale voltage V59~V56 and V7~V4 .....	102
Table 5.32: Characteristics of output pins .....	109
Table 5.33: Characteristics of input pins .....	109
Table 6.1: List table of command set page 0 .....	120

» **HX8347-G(T)**

240RGB x 320 dot, 262K color, with internal GRAM, TFT Mobile Single Chip Driver



Himax Technologies, Inc.  
<http://www.himax.com.tw>

**List of Tables**

October, 2009

Table 6.2: List table of command set page 1.....	122
Table 8.1: Absolute maximum ratings .....	173
Table 8.2: ESD protection level .....	173
Table 8.3: Current consumption .....	176

Himax Confidential  
Do Not Copy

## » HX8347-G(T)

240RGB x 320 dot, 262K color, with internal GRAM, TFT Mobile Single Chip Driver



Himax Technologies, Inc.  
<http://www.himax.com.tw>

**Preliminary Version 01**

October, 2009

### 1. General Description

This document describes HX8347-G 240RGBx320 dots resolution driving controller. The HX8347-G is designed to provide a single-chip solution that combines a gate driver, a source driver, power supply circuit for 262,144 colors to drive a TFT panel with 240RGBx320 dots at maximum.

The HX8347-G can be operated in low-voltage (1.4V) condition for the interface and integrated internal boosters that produce the liquid crystal voltage, breeder resistance and the voltage follower circuit for liquid crystal driver. In addition, The HX8347-G also supports various functions to reduce the power consumption of a LCD system via software control.

The HX8347-G supports two interface groups: Command-Parameter interface group, Register-Content interface group. The interface groups are selected by the external pin IFSEL setting. This manual description focuses on Register-Content interface group. About the Command-Parameter interface group, please refer to the HX8347-G (N) datasheet for detail.

The HX8347-G is suitable for any small portable battery-driven and long-term driving products, such as small PDAs, digital cellular phones and bi-directional pagers.

Himax Confidential  
Do Not Copy

## 2. Features

### 2.1 Display

- Resolution:
  - 240(H) x RGB(H) x 320(V)
- Display Color modes
  - Normal Display Mode On
    1. System Interface Circuit
      - a. Full color mode:
        - 262k colours (18bit 6(R):6(G):6(B))
      - b. Reduce color mode:
        - 65k colours (16bit 5(R):6(G):5(B))
        - 4096 colours(12bit 4(R):4(G):4(B))
    2. RGB Interface Circuit
      - a. 65,536(R(5),G(6),B(5)) colors
      - b. 262,144(R(6),G(6),B(6)) colors
  - Idle Mode On
    - 8 (R(1),G(1),B(1)) colors

### 2.2 Display Module

- Frame Memory area 240 (H) x 320 (V) x 18 bit
- On module DC/DC converter
- DDVDH = 5.0 V for two time pump (Power supply for driver circuit range)
- DDVDH = 6.1 V for three time pump (Power supply for driver circuit range)
- VREG1 = 3.3V to 5.8V (Source output voltage range)
- VGH = +9.0 to +16.5V (Positive Gate output voltage range)
- VGL = -6.0 to -13.5V (Negative Gate output voltage range)
- VCOMH = 2.5V to 5.8V, 15mv/step (Common electrode output high voltage)
- VCOML = -2.5V to 0.0V, 15mv/step (Common electrode output low voltage)

### 2.3 Display Control Interface

- Display Interface types supported
  - System interface:
    1. 8-/9-/16-/18-bit parallel bus system interface
    2. 3-/4-wire serial bus system interface
  - RGB interface:
    1. 6-/16-/18-bit RGB interface
- Color modes
  - 12 bit/pixel: R(4), G(4), B(4)
  - 16 bit/pixel: R(5), G(6), B(5)
  - 18 bit/pixel: R(6), G(6), B(6)

**2.4 Input power**

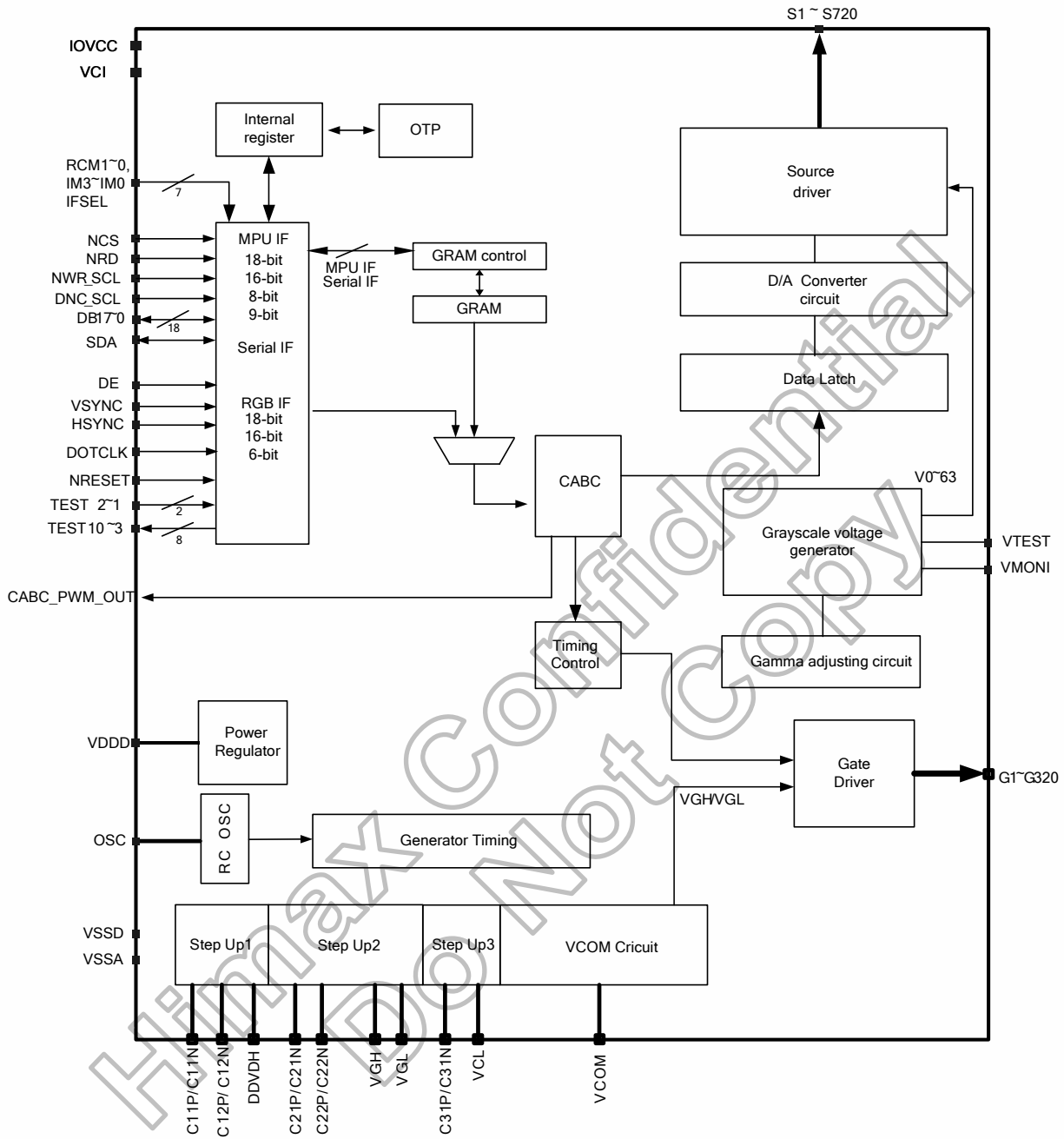
- Logic power supply (IOVCC): 1.65V ~ 3.3V
- Analog power supply (VCI): 2.5V ~ 4.8V
- OTP programming voltage (VPP): 6.5V  $\pm$  0.2V

**2.5 Miscellaneous**

- Low power consumption, suitable for battery operated systems
- Image sticking eliminated function
- CMOS compatible inputs
- Optimized layout for COG assembly
- Proprietary multi phase driving for lower power consumption
- Support external VDDD for lower power consumption (such as 1.8 volts input)
- Support 1~7 Line inversion or Frame inversion
- Support Area scrolling
- Support Partial display mode
- Support Deep standby mode
- Support normal black/normal white LCD
- Support wide view angle display
- On-chip OTP (One-time-programming) and MTP(three-time-programming for some register) non-volatile memory
- Support Content Adaptive Brightness Control(CABC) function
- Support Digital Gamma function
- Operating temperature range : -40°C ~ 85°C

### 3. Block Diagram

#### 3.1 Block diagram



## 3.2 Pin description

Interface Logic Pin					
Signals	I/O	Pin Number	Connected with	Description	
IFSEL	I	1	MPU	Interface format select pin	
				<b>IFSEL</b>	<b>Interface Format Selection</b>
				0	Register-content interface mode
				1	Command-Parameter interface mode
In this document, the IFSEL has to be connected to GND and Register-Content interface mode is select.					
IM3, IM2,IM1,IMO	I	4	VSSD/ IOVCC	System interface select.	
				<b>IM3</b> <b>IM2</b> <b>IM1</b> <b>IMO</b>	<b>Interface</b>
				0 0 0 0	8080 MCU 16-bit Parallel type I
				0 0 0 1	8080 MCU 8-bit Parallel type I
				0 0 1 0	8080 MCU 16-bit Parallel type II
				0 0 1 1	8080 MCU 8-bit Parallel type II
				0 1 0 ID	3-wire serial interface I
				0 1 1 -	4-wire serial interface I
				1 0 0 0	8080 MCU 18-bit parallel type I
				1 0 0 1	8080 MCU 9-bit parallel type I
				1 0 1 0	8080 MCU 18-bit parallel type II
				1 0 1 1	8080 MCU 9-bit parallel type II
				1 1 0 ID	3-wire serial interface II
				1 1 1 -	4-wire serial interface II
If not used, please fix this pin to IOVCC or VSSD level.					
NCS	I	1	MPU	Chip select signal. Low: chip can be accessed; High: chip cannot be accessed. Must be connected to VSSD if not in use.	
NWR_SCL	I	1	MPU	(NWR) Write enable pin I80 parallel bus system interface. (SCL) server as serial data clock in serial bus system interface when IFSEL=0. Fix it to IOVCC or VSSD level when not used.	
NRD	I	1	MPU	(NRD) Read enable pin I80 parallel bus system interface. If not used, please fix this pin at IOVCC or GND level	
<b>SDI/SDA</b>	<b>I/O</b>	<b>1</b>	<b>MCU</b>	<b>Serial data input pin and output pin(SDA) in serial bus system interface I.</b> <b>Serial data input pin (SDI) in serial bus system interface II.</b> <b>The data is inputted on the rising edge of the SCL signal.</b> <b>If not used, please let it open or connected to VSSD.</b>	
DNC_SCL	I	1	MPU	(DNC) Command / parameter or display data selection pin. (SCL) server as serial data clock in serial bus system interface when IFSEL=1. If not used, please fix this pin at IOVCC or GND level.	
VSYNC	I	1	MPU	Vertical synchronizing signal in RGB interface. Has to be fixed to VSSD level if it is not used.	
HSYNC	I	1	MPU	Horizontal synchronizing signal in RGB interface. Has to be fixed to VSSD level if it is not used.	
DE	I	1	MPU	A data ENABLE signal in RGB I/F mode. Has to be fixed to VSSD level if it is not used.	
DOTCLK	I	1	MPU	Data enable signal in RGB interface. Has to be fixed to VSSD level if it is not used.	
NRESET	I	1	MPU or reset circuit	Reset pin. Setting either pin low initializes the LSI. Must be reset after power is supplied.	
DB17~0	I/O	18	MPU	18-bit bi-directional data bus. The unused pins should be left open or connected to VSSD.	



# >> HX8347-G(T)

240RGB x 320 dot, 262K color, TFT Mobile Single Chip Driver



DATA SHEET Preliminary V01

S1~S720	O	720	LCD	Output voltages applied to the liquid crystal.
G1~G320	O	320	LCD	Gate driver output pins. These pins output VGH, VGL.(If not used, should be open)
VCOM	O	8	TFT common electrode	The power supply of common voltage in TFT driving. The voltage amplitude between VCOMH and VCOML is output. Connect this pin to the common electrode in TFT panel.
TE	O	1	MPU	Tearing effect output. If not used, please open this pin.
CABC_PWM_OUT	O	1	Backlight Circuit	CABC backlight control PWM signal output If not used, please open this pin.
BC_CTL	O	1	Backlight Circuit	<b>LED Driver Enable Signal.</b> If not used, please open this pin.
<b>TEST3/SDO</b>	<b>O</b>	<b>1</b>	<b>MPU</b>	<b>Serial data output pin (SDO) in serial bus system interface II.</b> If not used, please open this pin.

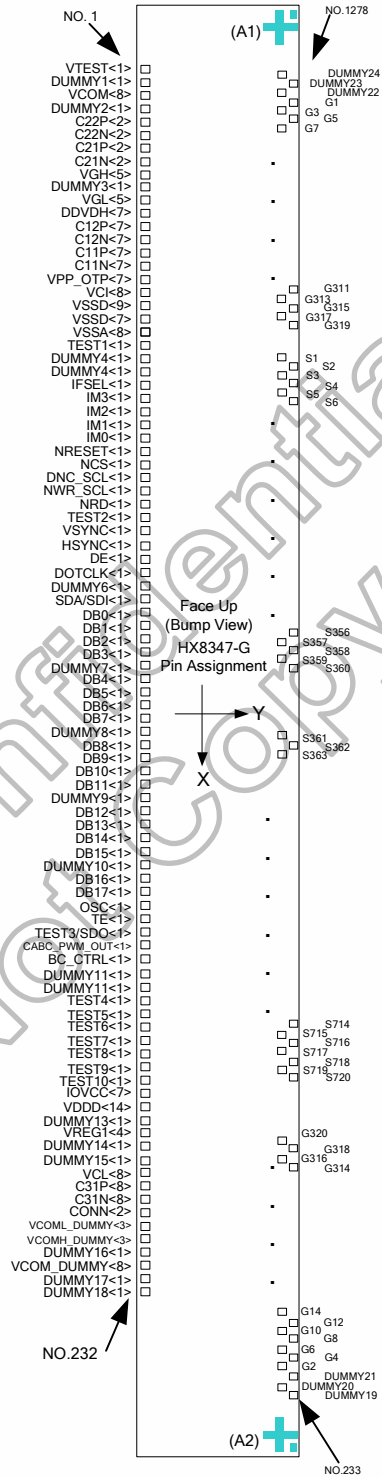
Input/Output Part				
Signals	I/O	Pin Number	Connected with	Description
C11P,C11N C12P, C12N	I/O	7	Step-up Capacitor	Connect to the step-up capacitors according to the step-up 1 factor. Leave this pin open if the internal step-up circuit is not used.
C31P,C31N	I/O	8	Step-up Capacitor	Connect to the step-up capacitors for step up circuit 3 operation. Leave this pin open if the internal step-up circuit is not used.
C21P,C21N C22P,C22N	I/O	2	Step-up Capacitor	Connect these pins to the capacitors for the step-up circuit 2. According to the step-up rate. When not using the step-up circuit2, disconnect them.

Power Part				
Signals	I/O	Pin Number	Connected with	Description
IOVCC	P	7	Power Supply	Digital IO Pad power supply
VCI	P	8	Power Supply	Analog power supply
VSSD	P	16	Ground	Digital ground
VSSA	P	8	Ground	Analog ground
VDDD	O	14	Stabilizing capacitor	Output from internal logic voltage (1.4V). Connect to a stabilizing capacitor
VREG1	P	4		Internal generated stable power for source driver unit.
VCL	P	8	Stabilizing capacitor	An output from the step-up circuit3. A negative voltage for VCOML circuit, VCL=-VCI
DDVDH	P	7	Stabilizing capacitor	An output from the step-up circuit1. Connect to a stabilizing capacitor between VSSA and DDVDH.
VGH	P	5	Stabilizing capacitor	A positive power output from the step-up circuit 2 for the gate line drive circuit. The step-up rate is determined by BT3-0 bits. Connect to a stabilizing capacitor between GND and VGH.
VGL	P	5	Stabilizing capacitor	A negative power output from the step-up circuit 2 for the gate line drive circuit. The step-up rate is determined by BT (3-0) bits. Connect to a stabilizing capacitor between GND and VGL.
VPP_OTP	-	7	Power supply	Power supply pin used in OTP program mode and operates at 6.5V ± 0.2. If not in OTP program mode, please let it open or fix to GND.

Test pin and others				
Signals	I/O	Pin Number	Connected with	Description
TEST2-1	I	3	GND	Test pin input (Internal pull low). Disconnect it.
TEST10-4	O	8	Open	A test pin. Disconnect it.
OSC	I	1	Open	A test pin. Disconnect it.
VTEST	O	1	Open	Gamma voltage of Panel test pin output. Must be left open.
CONN	-	2	Open	Dummy pads. Available for measuring the COG contact resistance. They are short-circuited within the chip.
VCOMH_DUMMY	-	2	Open	Dummy pads
VCOML_DUMMY	-	2	Open	Dummy pads
VCOM_DUMMY	-	8	Open	Dummy pads
DUMMY	-	24	Open	Dummy pads

### 3.3 Pin assignment

Chip Size: 15260umx720um  
 (Including Seal-ring and Scribe line)  
 Chip Thickness: 300 um (typ.)  
 Pad Location: Pad center  
 Coordinate Origin: Chip center  
 Au Bump Size:  
 1. 40 um x 56 um  
 Input Pads  
 (No. 1 ~ No. 232)  
 2. 14 um x 104 um  
 Staggered LCD output side  
 (No. 233 ~ No. 1278)



## 3.4 PAD coordinates

No	Name	X	Y	No.	Name	X	Y	No.	Name	X	Y	No.	Name	X	Y
1	VTEST	-7292.5	-285	61	C11N	-3692.5	-285	121	HSYNC	-92.5	-285	181	VDDD	4232.5	-285
2	DUMMY1	-7232.5	-285	62	C11N	-3632.5	-285	122	DE	-32.5	-285	182	VDDD	4292.5	-285
3	VCOM	-7172.5	-285	63	C11N	-3572.5	-285	123	DOTCLK	27.5	-285	183	DUMMY13	4352.5	-285
4	VCOM	-7112.5	-285	64	C11N	-3512.5	-285	124	DUMMY6	87.5	-285	184	VREG1	4412.5	-285
5	VCOM	-7052.5	-285	65	C11N	-3452.5	-285	125	SDA	160	-285	185	VREG1	4472.5	-285
6	VCOM	-6992.5	-285	66	C11N	-3392.5	-285	126	DB0	245	-285	186	VREG1	4532.5	-285
7	VCOM	-6932.5	-285	67	VPP_OTP	-3332.5	-285	127	DB1	330	-285	187	VREG1	4592.5	-285
8	VCOM	-6872.5	-285	68	VPP_OTP	-3272.5	-285	128	DB2	415	-285	188	DUMMY14	4652.5	-285
9	VCOM	-6812.5	-285	69	VPP_OTP	-3212.5	-285	129	DB3	500	-285	189	DUMMY15	4712.5	-285
10	VCOM	-6752.5	-285	70	VPP_OTP	-3152.5	-285	130	DUMMY7	572.5	-285	190	VCL	4772.5	-285
11	DUMMY2	-6692.5	-285	71	VPP_OTP	-3092.5	-285	131	DB4	645	-285	191	VCL	4832.5	-285
12	C22P	-6632.5	-285	72	VPP_OTP	-3032.5	-285	132	DB5	730	-285	192	VCL	4892.5	-285
13	C22P	-6572.5	-285	73	VPP_OTP	-2972.5	-285	133	DB6	815	-285	193	VCL	4952.5	-285
14	C22N	-6512.5	-285	74	VCI	-2912.5	-285	134	DB7	900	-285	194	VCL	5012.5	-285
15	C22N	-6452.5	-285	75	VCI	-2852.5	-285	135	DUMMY8	972.5	-285	195	VCL	5072.5	-285
16	C21P	-6392.5	-285	76	VCI	-2792.5	-285	136	DB8	1045	-285	196	VCL	5132.5	-285
17	C21P	-6332.5	-285	77	VCI	-2732.5	-285	137	DB9	1130	-285	197	VCL	5192.5	-285
18	C21N	-6272.5	-285	78	VCI	-2672.5	-285	138	DB10	1215	-285	198	C31P	5252.5	-285
19	C21N	-6212.5	-285	79	VCI	-2612.5	-285	139	DB11	1300	-285	199	C31P	5312.5	-285
20	VGH	-6152.5	-285	80	VCI	-2552.5	-285	140	DUMMY9	1372.5	-285	200	C31P	5372.5	-285
21	VGH	-6092.5	-285	81	VCI	-2492.5	-285	141	DB12	1445	-285	201	C31P	5432.5	-285
22	VGH	-6032.5	-285	82	VSSC	-2432.5	-285	142	DB13	1530	-285	202	C31P	5492.5	-285
23	VGH	-5972.5	-285	83	VSSC	-2372.5	-285	143	DB14	1615	-285	203	C31P	5552.5	-285
24	VGH	-5912.5	-285	84	VSSC	-2312.5	-285	144	DB15	1700	-285	204	C31P	5612.5	-285
25	DUMMY3	-5852.5	-285	85	VSSC	-2252.5	-285	145	DUMMY10	1772.5	-285	205	C31P	5672.5	-285
26	VGL	-5792.5	-285	86	VSSC	-2192.5	-285	146	DB16	1845	-285	206	C31N	5732.5	-285
27	VGL	-5732.5	-285	87	VSSC	-2132.5	-285	147	DB17	1930	-285	207	C31N	5792.5	-285
28	VGL	-5672.5	-285	88	VSSC	-2072.5	-285	148	OSC	2002.5	-285	208	C31N	5852.5	-285
29	VGL	-5612.5	-285	89	VSSC	-2012.5	-285	149	TE	2075	-285	209	C31N	5912.5	-285
30	VGL	-5552.5	-285	90	VSSC	-1952.5	-285	150	TEST3/SDO	2160	-285	210	C31N	5972.5	-285
31	VGL	-5492.5	-285	91	VSSD	-1892.5	-285	151	CABC_PWM_OUT	2245	-285	211	C31N	6032.5	-285
32	DDVDH	-5432.5	-285	92	VSSD	-1832.5	-285	152	BC_CTRL	2330	-285	212	C31N	6092.5	-285
33	DDVDH	-5372.5	-285	93	VSSD	-1772.5	-285	153	DUMMY11	2402.5	-285	213	C31N	6152.5	-285
34	DDVDH	-5312.5	-285	94	VSSD	-1712.5	-285	154	DUMMY11	2462.5	-285	214	CONN	6212.5	-285
35	DDVDH	-5252.5	-285	95	VSSD	-1652.5	-285	155	TEST4	2535	-285	215	CONN	6272.5	-285
36	DDVDH	-5192.5	-285	96	VSSD	-1592.5	-285	156	TEST5	2620	-285	216	VCOML_DUMMY	6332.5	-285
37	DDVDH	-5132.5	-285	97	VSSD	-1532.5	-285	157	TEST6	2705	-285	217	VCOML_DUMMY	6392.5	-285
38	DDVDH	-5072.5	-285	98	VSSA	-1472.5	-285	158	TEST7	2790	-285	218	VCOML_DUMMY	6452.5	-285
39	C12P	-5012.5	-285	99	VSSA	-1412.5	-285	159	TEST8	2875	-285	219	VCOMH_DUMMY	6512.5	-285
40	C12P	-4952.5	-285	100	VSSA	-1352.5	-285	160	TEST9	2960	-285	220	VCOMH_DUMMY	6572.5	-285
41	C12P	-4892.5	-285	101	VSSA	-1292.5	-285	161	TEST10	3032.5	-285	221	VCOMH_DUMMY	6632.5	-285
42	C12P	-4832.5	-285	102	VSSA	-1232.5	-285	162	IOVCC	3092.5	-285	222	DUMMY16	6692.5	-285
43	C12P	-4772.5	-285	103	VSSA	-1172.5	-285	163	IOVCC	3152.5	-285	223	VCOM_DUMMY	6752.5	-285
44	C12P	-4712.5	-285	104	VSSA	-1112.5	-285	164	IOVCC	3212.5	-285	224	VCOM_DUMMY	6812.5	-285
45	C12P	-4652.5	-285	105	VSSA	-1052.5	-285	165	IOVCC	3272.5	-285	225	VCOM_DUMMY	6872.5	-285
46	C12N	-4592.5	-285	106	TEST1	-992.5	-285	166	IOVCC	3332.5	-285	226	VCOM_DUMMY	6932.5	-285
47	C12N	-4532.5	-285	107	DUMMY4	-932.5	-285	167	IOVCC	3392.5	-285	227	VCOM_DUMMY	6992.5	-285
48	C12N	-4472.5	-285	108	DUMMY4	-872.5	-285	168	IOVCC	3452.5	-285	228	VCOM_DUMMY	7052.5	-285
49	C12N	-4412.5	-285	109	IFSEL	-812.5	-285	169	VDDD	3512.5	-285	229	VCOM_DUMMY	7112.5	-285
50	C12N	-4352.5	-285	110	IM3	-752.5	-285	170	VDDD	3572.5	-285	230	VCOM_DUMMY	7172.5	-285
51	C12N	-4292.5	-285	111	IM2	-692.5	-285	171	VDDD	3632.5	-285	231	DUMMY17	7232.5	-285
52	C12N	-4232.5	-285	112	IM1	-632.5	-285	172	VDDD	3692.5	-285	232	DUMMY18	7292.5	-285
53	C11P	-4172.5	-285	113	IMO	-572.5	-285	173	VDDD	3752.5	-285	233	DUMMY19	7399	261
54	C11P	-4112.5	-285	114	NRESET	-512.5	-285	174	VDDD	3812.5	-285	234	DUMMY20	7385	126
55	C11P	-4052.5	-285	115	NCS	-452.5	-285	175	VDDD	3872.5	-285	235	DUMMY21	7371	261
56	C11P	-3992.5	-285	116	DNC_SCL	-392.5	-285	176	VDDD	3932.5	-285	236	G2	7357	126
57	C11P	-3932.5	-285	117	NWR_SCL	-332.5	-285	177	VDDD	3992.5	-285	237	G4	7343	261
58	C11P	-3872.5	-285	118	NRD	-272.5	-285	178	VDDD	4052.5	-285	238	G6	7329	126
59	C11P	-3812.5	-285	119	TEST2	-212.5	-285	179	VDDD	4112.5	-285	239	G8	7315	261
60	C11N	-3752.5	-285	120	VSYNC	-152.5	-285	180	VDDD	4172.5	-285	240	G10	7301	126

No.	Name	X	Y	No.	Name	X	Y	No.	Name	X	Y	No.	Name	X	Y
241	G12	7287	261	301	G132	6447	261	361	G252	5607	261	421	S695	4725	261
242	G14	7273	126	302	G134	6433	126	362	G254	5593	126	422	S694	4711	126
243	G16	7259	261	303	G136	6419	261	363	G256	5579	261	423	S693	4697	261
244	G18	7245	126	304	G138	6405	126	364	G258	5565	126	424	S692	4683	126
245	G20	7231	261	305	G140	6391	261	365	G260	5551	261	425	S691	4669	261
246	G22	7217	126	306	G142	6377	126	366	G262	5537	126	426	S690	4655	126
247	G24	7203	261	307	G144	6363	261	367	G264	5523	261	427	S689	4641	261
248	G26	7189	126	308	G146	6349	126	368	G266	5509	126	428	S688	4627	126
249	G28	7175	261	309	G148	6335	261	369	G268	5495	261	429	S687	4613	261
250	G30	7161	126	310	G150	6321	126	370	G270	5481	126	430	S686	4599	126
251	G32	7147	261	311	G152	6307	261	371	G272	5467	261	431	S685	4585	261
252	G34	7133	126	312	G154	6293	126	372	G274	5453	126	432	S684	4571	126
253	G36	7119	261	313	G156	6279	261	373	G276	5439	261	433	S683	4557	261
254	G38	7105	126	314	G158	6265	126	374	G278	5425	126	434	S682	4543	126
255	G40	7091	261	315	G160	6251	261	375	G280	5411	261	435	S681	4529	261
256	G42	7077	126	316	G162	6237	126	376	G282	5397	126	436	S680	4515	126
257	G44	7063	261	317	G164	6223	261	377	G284	5383	261	437	S679	4501	261
258	G46	7049	126	318	G166	6209	126	378	G286	5369	126	438	S678	4487	126
259	G48	7035	261	319	G168	6195	261	379	G288	5355	261	439	S677	4473	261
260	G50	7021	126	320	G170	6181	126	380	G290	5341	126	440	S676	4459	126
261	G52	7007	261	321	G172	6167	261	381	G292	5327	261	441	S675	4445	261
262	G54	6993	126	322	G174	6153	126	382	G294	5313	126	442	S674	4431	126
263	G56	6979	261	323	G176	6139	261	383	G296	5299	261	443	S673	4417	261
264	G58	6965	126	324	G178	6125	126	384	G298	5285	126	444	S672	4403	126
265	G60	6951	261	325	G180	6111	261	385	G300	5271	261	445	S671	4389	261
266	G62	6937	126	326	G182	6097	126	386	G302	5257	126	446	S670	4375	126
267	G64	6923	261	327	G184	6083	261	387	G304	5243	261	447	S669	4361	261
268	G66	6909	126	328	G186	6069	126	388	G306	5229	126	448	S668	4347	126
269	G68	6895	261	329	G188	6055	261	389	G308	5215	261	449	S667	4333	261
270	G70	6881	126	330	G190	6041	126	390	G310	5201	126	450	S666	4319	126
271	G72	6867	261	331	G192	6027	261	391	G312	5187	261	451	S665	4305	261
272	G74	6853	126	332	G194	6013	126	392	G314	5173	126	452	S664	4291	126
273	G76	6839	261	333	G196	5999	261	393	G316	5159	261	453	S663	4277	261
274	G78	6825	126	334	G198	5985	126	394	G318	5145	126	454	S662	4263	126
275	G80	6811	261	335	G200	5971	261	395	G320	5131	261	455	S661	4249	261
276	G82	6797	126	336	G202	5957	126	396	G322	5117	126	456	S660	4235	126
277	G84	6783	261	337	G204	5943	261	397	G324	5103	261	457	S659	4221	261
278	G86	6769	126	338	G206	5929	126	398	G326	5089	126	458	S658	4207	126
279	G88	6755	261	339	G208	5915	261	399	G328	5075	261	459	S657	4193	261
280	G90	6741	126	340	G210	5901	126	400	G330	5061	126	460	S656	4179	126
281	G92	6727	261	341	G212	5887	261	401	G332	5047	261	461	S655	4165	261
282	G94	6713	126	342	G214	5873	126	402	G334	5033	126	462	S654	4151	126
283	G96	6699	261	343	G216	5859	261	403	G336	5019	261	463	S653	4137	261
284	G98	6685	126	344	G218	5845	126	404	G338	5005	126	464	S652	4123	126
285	G100	6671	261	345	G220	5831	261	405	G340	4991	126	465	S651	4109	261
286	G102	6657	126	346	G222	5817	126	406	G342	4977	261	466	S650	4095	126
287	G104	6643	261	347	G224	5803	261	407	G344	4963	126	467	S649	4081	261
288	G106	6629	126	348	G226	5789	126	408	G346	4949	261	468	S648	4067	126
289	G108	6615	261	349	G228	5775	261	409	G348	4935	126	469	S647	4053	261
290	G110	6601	126	350	G230	5761	126	410	G350	4921	261	470	S646	4039	126
291	G112	6587	261	351	G232	5747	261	411	G352	4907	126	471	S645	4025	261
292	G114	6573	126	352	G234	5733	126	412	G354	4893	126	472	S644	4011	126
293	G116	6559	261	353	G236	5719	261	413	G356	4879	126	473	S643	3997	261
294	G118	6545	126	354	G238	5705	126	414	G358	4865	261	474	S642	3983	126
295	G120	6531	261	355	G240	5691	261	415	G360	4851	126	475	S641	3969	261
296	G122	6517	126	356	G242	5677	126	416	G362	4837	261	476	S640	3955	126
297	G124	6503	261	357	G244	5663	261	417	G364	4823	126	477	S639	3941	261
298	G126	6489	126	358	G246	5649	126	418	G366	4809	261	478	S638	3927	126
299	G128	6475	261	359	G248	5635	261	419	G368	4795	126	479	S637	3913	261
300	G130	6461	126	360	G250	5621	126	420	G370	4781	261	480	S636	3899	126

No.	Name	X	Y	No.	Name	X	Y	No.	Name	X	Y	No.	Name	X	Y
481	S635	3885	261	541	S575	3045	261	601	S515	2205	261	661	S455	1365	261
482	S634	3871	126	542	S574	3031	126	602	S514	2191	126	662	S454	1351	126
483	S633	3857	261	543	S573	3017	261	603	S513	2177	261	663	S453	1337	261
484	S632	3843	126	544	S572	3003	126	604	S512	2163	126	664	S452	1323	126
485	S631	3829	261	545	S571	2989	261	605	S511	2149	261	665	S451	1309	261
486	S630	3815	126	546	S570	2975	126	606	S510	2135	126	666	S450	1295	126
487	S629	3801	261	547	S569	2961	261	607	S509	2121	261	667	S449	1281	261
488	S628	3787	126	548	S568	2947	126	608	S508	2107	126	668	S448	1267	126
489	S627	3773	261	549	S567	2933	261	609	S507	2093	261	669	S447	1253	261
490	S626	3759	126	550	S566	2919	126	610	S506	2079	126	670	S446	1239	126
491	S625	3745	261	551	S565	2905	261	611	S505	2065	261	671	S445	1225	261
492	S624	3731	126	552	S564	2891	126	612	S504	2051	126	672	S444	1211	126
493	S623	3717	261	553	S563	2877	261	613	S503	2037	261	673	S443	1197	261
494	S622	3703	126	554	S562	2863	126	614	S502	2023	126	674	S442	1183	126
495	S621	3689	261	555	S561	2849	261	615	S501	2009	261	675	S441	1169	261
496	S620	3675	126	556	S560	2835	126	616	S500	1995	126	676	S440	1155	126
497	S619	3661	261	557	S559	2821	261	617	S499	1981	261	677	S439	1141	261
498	S618	3647	126	558	S558	2807	126	618	S498	1967	126	678	S438	1127	126
499	S617	3633	261	559	S557	2793	261	619	S497	1953	261	679	S437	1113	261
500	S616	3619	126	560	S556	2779	126	620	S496	1939	126	680	S436	1099	126
501	S615	3605	261	561	S555	2765	261	621	S495	1925	261	681	S435	1085	261
502	S614	3591	126	562	S554	2751	126	622	S494	1911	126	682	S434	1071	126
503	S613	3577	261	563	S553	2737	261	623	S493	1897	261	683	S433	1057	261
504	S612	3563	126	564	S552	2723	126	624	S492	1883	126	684	S432	1043	126
505	S611	3549	261	565	S551	2709	261	625	S491	1869	261	685	S431	1029	261
506	S610	3535	126	566	S550	2695	126	626	S490	1855	126	686	S430	1015	126
507	S609	3521	261	567	S549	2681	261	627	S489	1841	261	687	S429	1001	261
508	S608	3507	126	568	S548	2667	126	628	S488	1827	126	688	S428	987	126
509	S607	3493	261	569	S547	2653	261	629	S487	1813	261	689	S427	973	261
510	S606	3479	126	570	S546	2639	126	630	S486	1799	126	690	S426	959	126
511	S605	3465	261	571	S545	2625	261	631	S485	1785	261	691	S425	945	261
512	S604	3451	126	572	S544	2611	126	632	S484	1771	126	692	S424	931	126
513	S603	3437	261	573	S543	2597	261	633	S483	1757	261	693	S423	917	261
514	S602	3423	126	574	S542	2583	126	634	S482	1743	126	694	S422	903	126
515	S601	3409	261	575	S541	2569	261	635	S481	1729	261	695	S421	889	261
516	S600	3395	126	576	S540	2555	126	636	S480	1715	126	696	S420	875	126
517	S599	3381	261	577	S539	2541	261	637	S479	1701	261	697	S419	861	261
518	S598	3367	126	578	S538	2527	126	638	S478	1687	126	698	S418	847	126
519	S597	3353	261	579	S537	2513	261	639	S477	1673	261	699	S417	833	261
520	S596	3339	126	580	S536	2499	126	640	S476	1659	126	700	S416	819	126
521	S595	3325	261	581	S535	2485	261	641	S475	1645	261	701	S415	805	261
522	S594	3311	126	582	S534	2471	126	642	S474	1631	126	702	S414	791	126
523	S593	3297	261	583	S533	2457	261	643	S473	1617	261	703	S413	777	261
524	S592	3283	126	584	S532	2443	126	644	S472	1603	126	704	S412	763	126
525	S591	3269	261	585	S531	2429	261	645	S471	1589	261	705	S411	749	261
526	S590	3255	126	586	S530	2415	126	646	S470	1575	126	706	S410	735	126
527	S589	3241	261	587	S529	2401	261	647	S469	1561	261	707	S409	721	261
528	S588	3227	126	588	S528	2387	126	648	S468	1547	126	708	S408	707	126
529	S587	3213	261	589	S527	2373	261	649	S467	1533	261	709	S407	693	261
530	S586	3199	126	590	S526	2359	126	650	S466	1519	126	710	S406	679	126
531	S585	3185	261	591	S525	2345	261	651	S465	1505	261	711	S405	665	261
532	S584	3171	126	592	S524	2331	126	652	S464	1491	126	712	S404	651	126
533	S583	3157	261	593	S523	2317	261	653	S463	1477	261	713	S403	637	261
534	S582	3143	126	594	S522	2303	126	654	S462	1463	126	714	S402	623	126
535	S581	3129	261	595	S521	2289	261	655	S461	1449	261	715	S401	609	261
536	S580	3115	126	596	S520	2275	126	656	S460	1435	126	716	S400	595	126
537	S579	3101	261	597	S519	2261	261	657	S459	1421	261	717	S399	581	261
538	S578	3087	126	598	S518	2247	126	658	S458	1407	126	718	S398	567	126
539	S577	3073	261	599	S517	2233	261	659	S457	1393	261	719	S397	553	261
540	S576	3059	126	600	S516	2219	126	660	S456	1379	126	720	S396	539	126

No.	Name	X	Y	No.	Name	X	Y	No.	Name	X	Y	No.	Name	X	Y
721	S395	525	261	781	S335	-399	261	841	S275	-1239	261	901	S215	-2079	261
722	S394	511	126	782	S334	-413	126	842	S274	-1253	126	902	S214	-2093	126
723	S393	497	261	783	S333	-427	261	843	S273	-1267	261	903	S213	-2107	261
724	S392	483	126	784	S332	-441	126	844	S272	-1281	126	904	S212	-2121	126
725	S391	469	261	785	S331	-455	261	845	S271	-1295	261	905	S211	-2135	261
726	S390	455	126	786	S330	-469	126	846	S270	-1309	126	906	S210	-2149	126
727	S389	441	261	787	S329	-483	261	847	S269	-1323	261	907	S209	-2163	261
728	S388	427	126	788	S328	-497	126	848	S268	-1337	126	908	S208	-2177	126
729	S387	413	261	789	S327	-511	261	849	S267	-1351	261	909	S207	-2191	261
730	S386	399	126	790	S326	-525	126	850	S266	-1365	126	910	S206	-2205	126
731	S385	385	261	791	S325	-539	261	851	S265	-1379	261	911	S205	-2219	261
732	S384	371	126	792	S324	-553	126	852	S264	-1393	126	912	S204	-2233	126
733	S383	357	261	793	S323	-567	261	853	S263	-1407	261	913	S203	-2247	261
734	S382	343	126	794	S322	-581	126	854	S262	-1421	126	914	S202	-2261	126
735	S381	329	261	795	S321	-595	261	855	S261	-1435	261	915	S201	-2275	261
736	S380	315	126	796	S320	-609	126	856	S260	-1449	126	916	S200	-2289	126
737	S379	301	261	797	S319	-623	261	857	S259	-1463	261	917	S199	-2303	261
738	S378	287	126	798	S318	-637	126	858	S258	-1477	126	918	S198	-2317	126
739	S377	273	261	799	S317	-651	261	859	S257	-1491	261	919	S197	-2331	261
740	S376	259	126	800	S316	-665	126	860	S256	-1505	126	920	S196	-2345	126
741	S375	245	261	801	S315	-679	261	861	S255	-1519	261	921	S195	-2359	261
742	S374	231	126	802	S314	-693	126	862	S254	-1533	126	922	S194	-2373	126
743	S373	217	261	803	S313	-707	261	863	S253	-1547	261	923	S193	-2387	261
744	S372	203	126	804	S312	-721	126	864	S252	-1561	126	924	S192	-2401	126
745	S371	189	261	805	S311	-735	261	865	S251	-1575	261	925	S191	-2415	261
746	S370	175	126	806	S310	-749	126	866	S250	-1589	126	926	S190	-2429	126
747	S369	161	261	807	S309	-763	261	867	S249	-1603	261	927	S189	-2443	261
748	S368	147	126	808	S308	-777	126	868	S248	-1617	126	928	S188	-2457	126
749	S367	133	261	809	S307	-791	261	869	S247	-1631	261	929	S187	-2471	261
750	S366	119	126	810	S306	-805	126	870	S246	-1645	126	930	S186	-2485	126
751	S365	105	261	811	S305	-819	261	871	S245	-1659	261	931	S185	-2499	261
752	S364	91	126	812	S304	-833	126	872	S244	-1673	126	932	S184	-2513	126
753	S363	77	261	813	S303	-847	261	873	S243	-1687	261	933	S183	-2527	261
754	S362	63	126	814	S302	-861	126	874	S242	-1701	126	934	S182	-2541	126
755	S361	49	261	815	S301	-875	261	875	S241	-1715	261	935	S181	-2555	261
756	S360	-49	126	816	S300	-889	126	876	S240	-1729	126	936	S180	-2569	126
757	S359	-63	261	817	S299	-903	261	877	S239	-1743	261	937	S179	-2583	261
758	S358	-77	126	818	S298	-917	126	878	S238	-1757	126	938	S178	-2597	126
759	S357	-91	261	819	S297	-931	261	879	S237	-1771	261	939	S177	-2611	261
760	S356	-105	126	820	S296	-945	126	880	S236	-1785	126	940	S176	-2625	126
761	S355	-119	261	821	S295	-959	261	881	S235	-1799	261	941	S175	-2639	261
762	S354	-133	126	822	S294	-973	126	882	S234	-1813	126	942	S174	-2653	126
763	S353	-147	261	823	S293	-987	261	883	S233	-1827	261	943	S173	-2667	261
764	S352	-161	126	824	S292	-1001	126	884	S232	-1841	126	944	S172	-2681	126
765	S351	-175	261	825	S291	-1015	261	885	S231	-1855	261	945	S171	-2695	261
766	S350	-189	126	826	S290	-1029	126	886	S230	-1869	126	946	S170	-2709	126
767	S349	-203	261	827	S289	-1043	261	887	S229	-1883	261	947	S169	-2723	261
768	S348	-217	126	828	S288	-1057	126	888	S228	-1897	126	948	S168	-2737	126
769	S347	-231	261	829	S287	-1071	261	889	S227	-1911	261	949	S167	-2751	261
770	S346	-245	126	830	S286	-1085	126	890	S226	-1925	126	950	S166	-2765	126
771	S345	-259	261	831	S285	-1099	261	891	S225	-1939	261	951	S165	-2779	261
772	S344	-273	126	832	S284	-1113	126	892	S224	-1953	126	952	S164	-2793	126
773	S343	-287	261	833	S283	-1127	261	893	S223	-1967	261	953	S163	-2807	261
774	S342	-301	126	834	S282	-1141	126	894	S222	-1981	126	954	S162	-2821	126
775	S341	-315	261	835	S281	-1155	261	895	S221	-1995	261	955	S161	-2835	261
776	S340	-329	126	836	S280	-1169	126	896	S220	-2009	126	956	S160	-2849	126
777	S339	-343	261	837	S279	-1183	261	897	S219	-2023	261	957	S159	-2863	261
778	S338	-357	126	838	S278	-1197	126	898	S218	-2037	126	958	S158	-2877	126
779	S337	-371	261	839	S277	-1211	261	899	S217	-2051	261	959	S157	-2891	261
780	S336	-385	126	840	S276	-1225	126	900	S216	-2065	126	960	S156	-2905	126

No.	Name	X	Y	No.	Name	X	Y	No.	Name	X	Y	No.	Name	X	Y
961	S155	-2919	261	1021	S95	-3759	261	1081	S35	-4599	261	1141	G269	-5481	261
962	S154	-2933	126	1022	S94	-3773	126	1082	S34	-4613	126	1142	G267	-5495	126
963	S153	-2947	261	1023	S93	-3787	261	1083	S33	-4627	261	1143	G265	-5509	261
964	S152	-2961	126	1024	S92	-3801	126	1084	S32	-4641	126	1144	G263	-5523	126
965	S151	-2975	261	1025	S91	-3815	261	1085	S31	-4655	261	1145	G261	-5537	261
966	S150	-2989	126	1026	S90	-3829	126	1086	S30	-4669	126	1146	G259	-5551	126
967	S149	-3003	261	1027	S89	-3843	261	1087	S29	-4683	261	1147	G257	-5565	261
968	S148	-3017	126	1028	S88	-3857	126	1088	S28	-4697	126	1148	G255	-5579	126
969	S147	-3031	261	1029	S87	-3871	261	1089	S27	-4711	261	1149	G253	-5593	261
970	S146	-3045	126	1030	S86	-3885	126	1090	S26	-4725	126	1150	G251	-5607	126
971	S145	-3059	261	1031	S85	-3899	261	1091	S25	-4739	261	1151	G249	-5621	261
972	S144	-3073	126	1032	S84	-3913	126	1092	S24	-4753	126	1152	G247	-5635	126
973	S143	-3087	261	1033	S83	-3927	261	1093	S23	-4767	261	1153	G245	-5649	261
974	S142	-3101	126	1034	S82	-3941	126	1094	S22	-4781	126	1154	G243	-5663	126
975	S141	-3115	261	1035	S81	-3955	261	1095	S21	-4795	261	1155	G241	-5677	261
976	S140	-3129	126	1036	S80	-3969	126	1096	S20	-4809	126	1156	G239	-5691	126
977	S139	-3143	261	1037	S79	-3983	261	1097	S19	-4823	261	1157	G237	-5705	261
978	S138	-3157	126	1038	S78	-3997	126	1098	S18	-4837	126	1158	G235	-5719	126
979	S137	-3171	261	1039	S77	-4011	261	1099	S17	-4851	261	1159	G233	-5733	261
980	S136	-3185	126	1040	S76	-4025	126	1100	S16	-4865	126	1160	G231	-5747	126
981	S135	-3199	261	1041	S75	-4039	261	1101	S15	-4879	261	1161	G229	-5761	261
982	S134	-3213	126	1042	S74	-4053	126	1102	S14	-4893	126	1162	G227	-5775	126
983	S133	-3227	261	1043	S73	-4067	261	1103	S13	-4907	261	1163	G225	-5789	261
984	S132	-3241	126	1044	S72	-4081	126	1104	S12	-4921	126	1164	G223	-5803	126
985	S131	-3255	261	1045	S71	-4095	261	1105	S11	-4935	261	1165	G221	-5817	261
986	S130	-3269	126	1046	S70	-4109	126	1106	S10	-4949	126	1166	G219	-5831	126
987	S129	-3283	261	1047	S69	-4123	261	1107	S9	-4963	261	1167	G217	-5845	261
988	S128	-3297	126	1048	S68	-4137	126	1108	S8	-4977	126	1168	G215	-5859	126
989	S127	-3311	261	1049	S67	-4151	261	1109	S7	-4991	261	1169	G213	-5873	261
990	S126	-3325	126	1050	S66	-4165	126	1110	S6	-5005	126	1170	G211	-5887	126
991	S125	-3339	261	1051	S65	-4179	261	1111	S5	-5019	261	1171	G209	-5901	261
992	S124	-3353	126	1052	S64	-4193	126	1112	S4	-5033	126	1172	G207	-5915	126
993	S123	-3367	261	1053	S63	-4207	261	1113	S3	-5047	261	1173	G205	-5929	261
994	S122	-3381	126	1054	S62	-4221	126	1114	S2	-5061	126	1174	G203	-5943	126
995	S121	-3395	261	1055	S61	-4235	261	1115	S1	-5075	261	1175	G201	-5957	261
996	S120	-3409	126	1056	S60	-4249	126	1116	G319	-5131	126	1176	G199	-5971	126
997	S119	-3423	261	1057	S59	-4263	261	1117	G317	-5145	261	1177	G197	-5985	261
998	S118	-3437	126	1058	S58	-4277	126	1118	G315	-5159	126	1178	G195	-5999	126
999	S117	-3451	261	1059	S57	-4291	261	1119	G313	-5173	261	1179	G193	-6013	261
1000	S116	-3465	126	1060	S56	-4305	126	1120	G311	-5187	126	1180	G191	-6027	126
1001	S115	-3479	261	1061	S55	-4319	261	1121	G309	-5201	261	1181	G189	-6041	261
1002	S114	-3493	126	1062	S54	-4333	126	1122	G307	-5215	126	1182	G187	-6055	126
1003	S113	-3507	261	1063	S53	-4347	261	1123	G305	-5229	261	1183	G185	-6069	261
1004	S112	-3521	126	1064	S52	-4361	126	1124	G303	-5243	126	1184	G183	-6083	126
1005	S111	-3535	261	1065	S51	-4375	261	1125	G301	-5257	261	1185	G181	-6097	261
1006	S110	-3549	126	1066	S50	-4389	126	1126	G299	-5271	126	1186	G179	-6111	126
1007	S109	-3563	261	1067	S49	-4403	261	1127	G297	-5285	261	1187	G177	-6125	261
1008	S108	-3577	126	1068	S48	-4417	126	1128	G295	-5299	126	1188	G175	-6139	126
1009	S107	-3591	261	1069	S47	-4431	261	1129	G293	-5313	261	1189	G173	-6153	261
1010	S106	-3605	126	1070	S46	-4445	126	1130	G291	-5327	126	1190	G171	-6167	126
1011	S105	-3619	261	1071	S45	-4459	261	1131	G289	-5341	261	1191	G169	-6181	261
1012	S104	-3633	126	1072	S44	-4473	126	1132	G287	-5355	126	1192	G167	-6195	126
1013	S103	-3647	261	1073	S43	-4487	261	1133	G285	-5369	261	1193	G165	-6209	261
1014	S102	-3661	126	1074	S42	-4501	126	1134	G283	-5383	126	1194	G163	-6223	126
1015	S101	-3675	261	1075	S41	-4515	261	1135	G281	-5397	261	1195	G161	-6237	261
1016	S100	-3689	126	1076	S40	-4529	126	1136	G279	-5411	126	1196	G159	-6251	126
1017	S99	-3703	261	1077	S39	-4543	261	1137	G277	-5425	261	1197	G157	-6265	261
1018	S98	-3717	126	1078	S38	-4557	126	1138	G275	-5439	126	1198	G155	-6279	126
1019	S97	-3731	261	1079	S37	-4571	261	1139	G273	-5453	261	1199	G153	-6293	261
1020	S96	-3745	126	1080	S36	-4585	126	1140	G271	-5467	126	1200	G151	-6307	126



# HX8347-G(T)

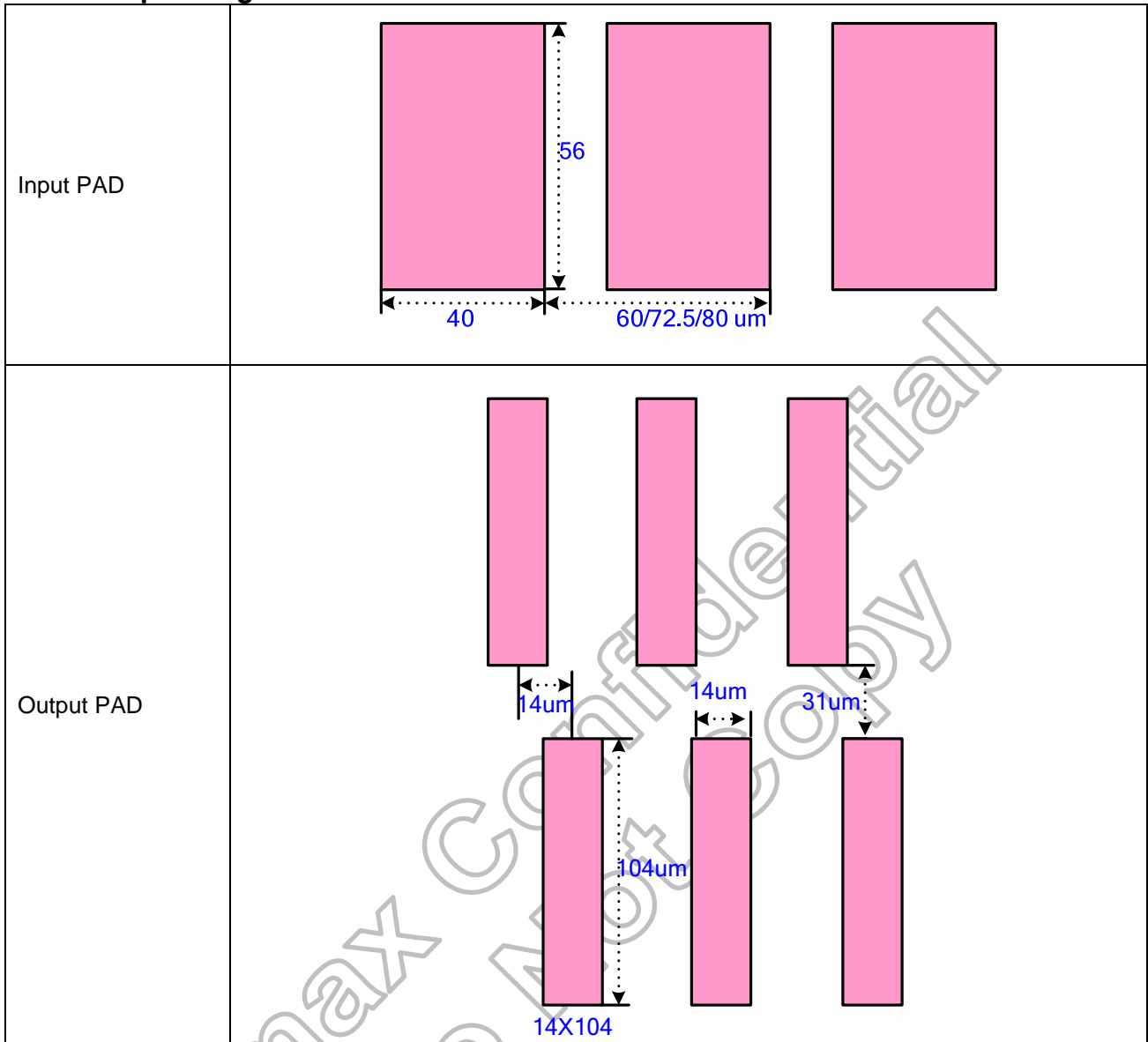
240RGB x 320 dot, 262K color, TFT Mobile Single Chip Driver



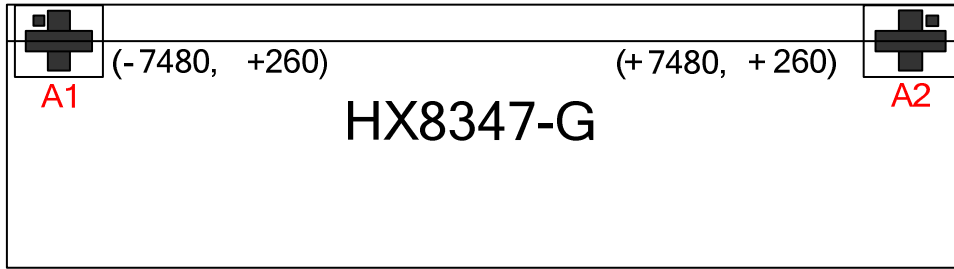
DATA SHEET Preliminary V01

No.	Name	X	Y	No.	Name	X	Y
1201	G149	-6321	261	1261	G29	-7161	261
1202	G147	-6335	126	1262	G27	-7175	126
1203	G145	-6349	261	1263	G25	-7189	261
1204	G143	-6363	126	1264	G23	-7203	126
1205	G141	-6377	261	1265	G21	-7217	261
1206	G139	-6391	126	1266	G19	-7231	126
1207	G137	-6405	261	1267	G17	-7245	261
1208	G135	-6419	126	1268	G15	-7259	126
1209	G133	-6433	261	1269	G13	-7273	261
1210	G131	-6447	126	1270	G11	-7287	126
1211	G129	-6461	261	1271	G9	-7301	261
1212	G127	-6475	126	1272	G7	-7315	126
1213	G125	-6489	261	1273	G5	-7329	261
1214	G123	-6503	126	1274	G3	-7343	126
1215	G121	-6517	261	1275	G1	-7357	261
1216	G119	-6531	126	1276	DUMMY22	-7371	126
1217	G117	-6545	261	1277	DUMMY23	-7385	261
1218	G115	-6559	126	1278	DUMMY24	-7399	126
1219	G113	-6573	261				
1220	G111	-6587	126				
1221	G109	-6601	261	<b>Alignment mark</b>			
1222	G107	-6615	126	A1	-7480	260	
1223	G105	-6629	261	A2	7480	260	
1224	G103	-6643	126				
1225	G101	-6657	261				
1226	G99	-6671	126				
1227	G97	-6685	261				
1228	G95	-6699	126				
1229	G93	-6713	261				
1230	G91	-6727	126				
1231	G89	-6741	261				
1232	G87	-6755	126				
1233	G85	-6769	261				
1234	G83	-6783	126				
1235	G81	-6797	261				
1236	G79	-6811	126				
1237	G77	-6825	261				
1238	G75	-6839	126				
1239	G73	-6853	261				
1240	G71	-6867	126				
1241	G69	-6881	261				
1242	G67	-6895	126				
1243	G65	-6909	261				
1244	G63	-6923	126				
1245	G61	-6937	261				
1246	G59	-6951	126				
1247	G57	-6965	261				
1248	G55	-6979	126				
1249	G53	-6993	261				
1250	G51	-7007	126				
1251	G49	-7021	261				
1252	G47	-7035	126				
1253	G45	-7049	261				
1254	G43	-7063	126				
1255	G41	-7077	261				
1256	G39	-7091	126				
1257	G37	-7105	261				
1258	G35	-7119	126				
1259	G33	-7133	261				
1260	G31	-7147	126				

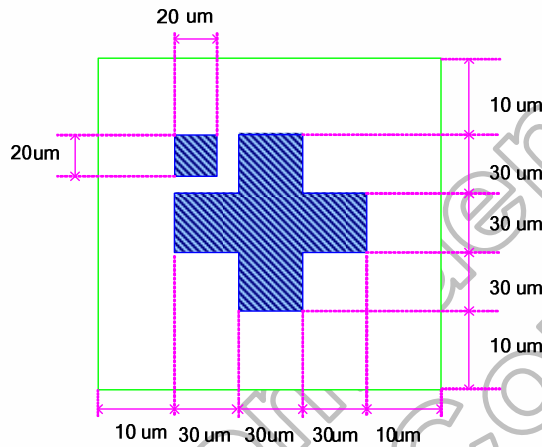
**3.5 Bump arrangement**



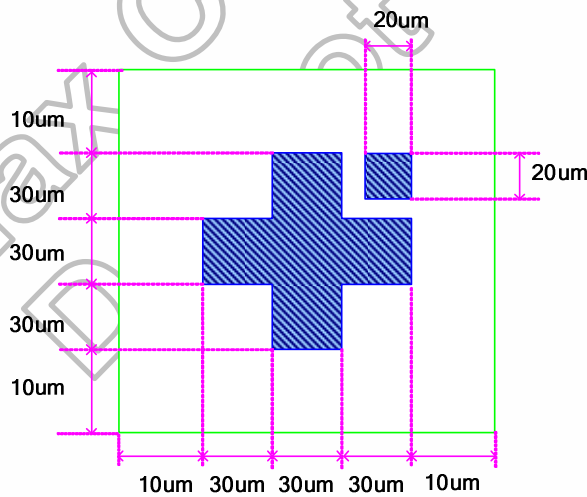
**3.6 Alignment mark**



A\_MARK (A1)



A\_MARK (A2)



## 4. Interface

The HX8347-G supports two-type interface group: Command-Parameter interface group, Register-Content interface group.

This manual description focuses on Register-Content interface group. About the Command-Parameter interface mode, please refer to the HX8347-G (N) datasheet for detail.

In Register-Content interface group (IFSEL = 'L'), the HX8347-G has a system interface circuit for register command/GRAM data transferring, and a RGB interface circuit for display data transferring during animated display. The system interface circuit uses data bus pins (DB17-0). Since the data bus pins (DB17-0) can be used as input in RGB interface circuit, the HX8347-G shows animated display with less wiring.

System interface can be used to access internal command and internal 18-bit/pixel GRAM. The RGB interface is only used to access display data. Please make sure that in RGB interface mode, the input display data is not written to GRAM and is displayed directly.

Himax Confidential  
Do Not Copy

### 4.1 System interface circuit

The system interface circuit in HX8347-G supports, 18-/16-/9-/8-bit bus width parallel bus system interface for I80 series CPU, and 4-/3-wire serial bus system interface for serial data input. When NCS = “L”, the parallel and serial bus system interface of the HX8347-G become active and data transfer through the interface circuit is available. The DNC\_SCL pin specifies whether the system interface circuit access is to the register command or to the display data RAM. The input bus format of system interface circuit is selected by external pins setting. For selecting the input bus format, please refer to Table 4.1.

IM3	IM2	IM1	IM0	Interface	DNC_SCL	NWR_SCL	Data Bus use	
							Register/Content	GRAM
0	0	0	0	8080 MCU 16-bit parallel type I	DNC	NWR	D7-D0	D15-D0: 16-bit data
0	0	0	1	8080 MCU 8-bit parallel type I	DNC	NWR	D7-D0	D7-D0: 8-bit data
0	0	1	0	8080 MCU 16-bit parallel type II	DNC	NWR	D8-D1	D17-10, D8-D1: 16-bit data
0	0	1	1	8080 MCU 8-bit parallel type II	DNC	NWR	D17-D10	D17-D10: 8-bit data
0	1	0	ID	3-wire serial interface	-	SCL		SDA
0	1	1	-	4-wire serial interface	DNC	SCL		SDA
1	0	0	0	8080 MCU 18-bit parallel type I	DNC	NWR	D7-D0	D17-D0: 18-bit data
1	0	0	1	8080 MCU 9-bit parallel type I	DNC	NWR	D7-D0	D8-D0: 9-bit data
1	0	1	0	8080 MCU 18-bit parallel type II	DNC	NWR	D8-D1	D17-D0: 18-bit data
1	0	1	1	8080 MCU 9-bit parallel type II	DNC	NWR	D17-D10	D17-D9: 9-bit data
1	1	0	ID	3-wire serial interface II	-	SCL		SDI/SDO
1	1	1	-	4-wire serial interface II	DNC	SCL		SDI/SDO
Other Setting				Setting Invalid				

**Table 4.1: Input bus format selection of system interface circuit**

It has an Index Register (IR) in HX8347-G to store index data of internal control register and GRAM. Therefore, the IR can be written with the index pointer of the control register through data bus by setting DNC\_SCL=0. Then the command or GRAM data can be written to register at which that index pointer pointed by setting DNC\_SCL=1.

Furthermore, there are two 18-bit bus control registers used to temporarily store the data written to or read from the GRAM. When the data is written into the GRAM from the MPU, it is first written into the write-data latch and then automatically written into the GRAM by internal operation. Data is read through the read-data latch when reading from the GRAM. Therefore, the first read data operation is invalid and the following read data operations are valid.

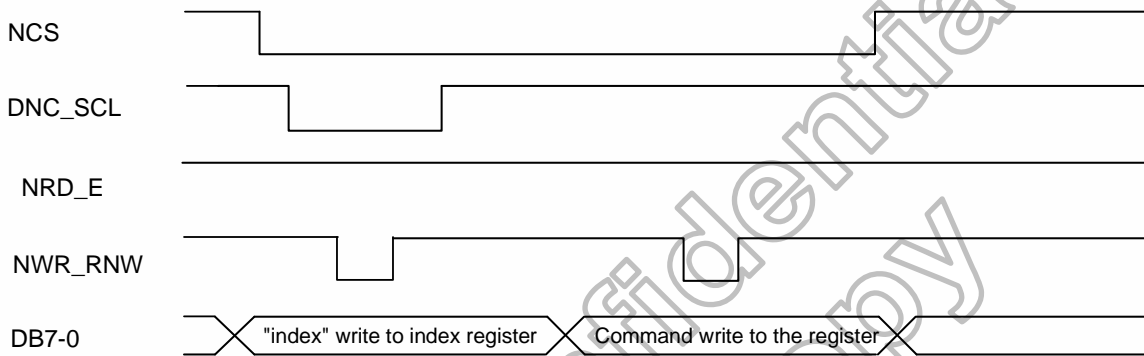
### 4.1.1 Parallel bus system interface

The input / output data from data pins (DB17-0) and signal operation of the I80 series parallel bus interface are listed in Table 4.2.

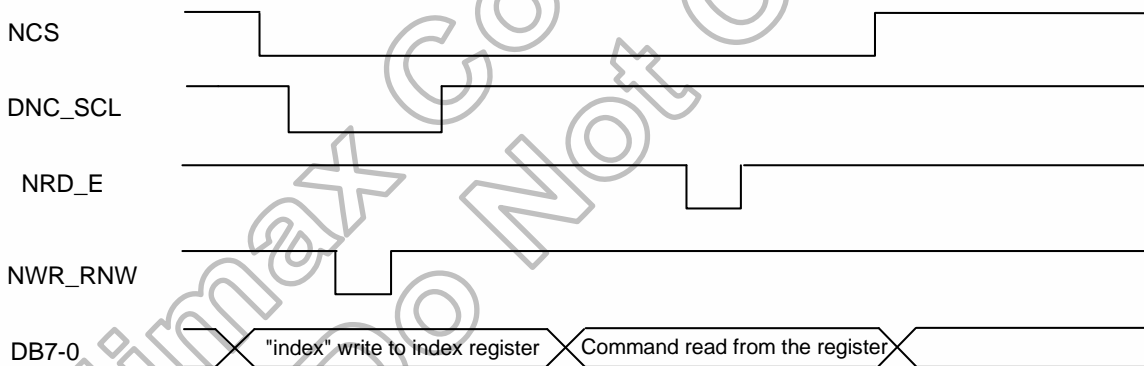
Operations	NWR_SCL	NRD	DNC_SCL
Writes Indexes into IR	0	1	0
Reads internal status	1	0	0
Writes command into register or data into GRAM	0	1	1
Reads command from register or data from GRAM	1	0	1

**Table 4.2: Data pin function for I80 series CPU**

#### Write to the register

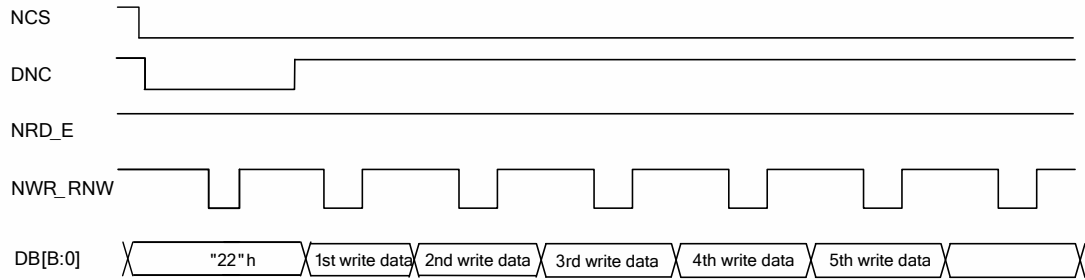


#### Read the register

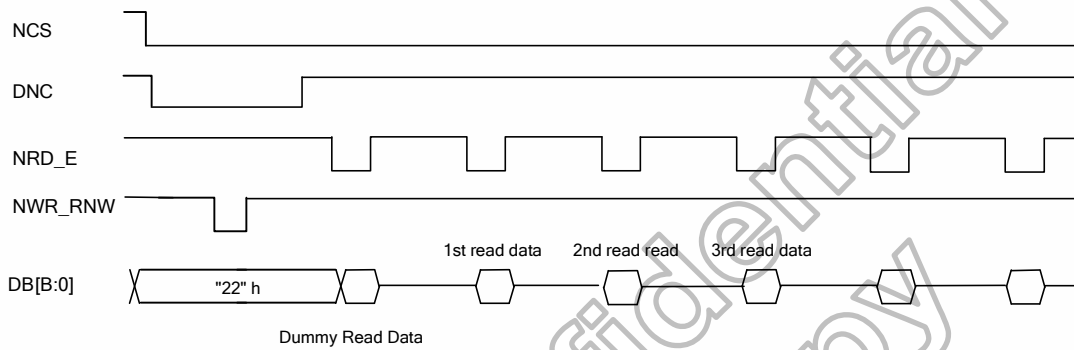


**Figure 4.1: Register read/write timing in parallel bus system interface (for I80 series MPU)**

**Write to the graphic RAM**



**Read the graphic RAM**



**Figure 4.2: GRAM read/write timing in parallel bus system interface (for l80 series MPU)**

Himax Confidential  
Do Not Copy

4.1.2 MCU data color coding

MCU Data Color Coding for RAM data Write

- Parallel 8-Bit Bus Interface type (IM3,IM2,IM1,IM0="0001")

Register Command	DB17	DB16	DB15	DB14	DB13	DB12	DB11	DB10	DB9	DB8	DB7	DB6	DB5	DB4	DB3	DB2	DB1	DB0	Command
	x	x	x	x	x	x	x	x	x	x	0	0	1	0	0	0	1	0	<b>22H</b>
<b>17H</b>	DB17	DB16	DB15	DB14	DB13	DB12	DB11	DB10	DB9	DB8	DB7	DB6	DB5	DB4	DB3	DB2	DB1	DB0	Color
03h	x	x	x	x	x	x	x	x	x	x	R3	R2	R1	R0	G3	G2	G1	G0	4K-Color (2-pixels/ 3-bytes)
	x	x	x	x	x	x	x	x	x	x	B3	B2	B1	B0	R3	R2	R1	R0	
	x	x	x	x	x	x	x	x	x	x	G3	G2	G1	G0	B3	B2	B1	B0	
05h	x	x	x	x	x	x	x	x	x	x	R4	R3	R2	R1	R0	G5	G4	G3	65K-Color (1-pixel/ 2-bytes)
	x	x	x	x	x	x	x	x	x	x	G2	G1	G0	B4	B3	B2	B1	B0	
06h	x	x	x	x	x	x	x	x	x	x	R5	R4	R3	R2	R1	R0	x	x	262K-Color (1-pixel/ 3bytes)
	x	x	x	x	x	x	x	x	x	x	G5	G4	G3	G2	G1	G0	x	x	
	x	x	x	x	x	x	x	x	x	x	B5	B4	B3	B2	B1	B0	x	x	

Table 4.3: 8-bit parallel interface type I GRAM write table

- Parallel 16-Bit Bus Interface type (IM3,IM2,IM1,IM0="0000")

Register Command	DB17	DB16	DB15	DB14	DB13	DB12	DB11	DB10	DB9	DB8	DB7	DB6	DB5	DB4	DB3	DB2	DB1	DB0	Command	
	x	x	x	x	x	x	x	x	x	x	0	0	1	0	0	0	1	0	<b>22H</b>	
<b>17H</b>	DB17	DB16	DB15	DB14	DB13	DB12	DB11	DB10	DB9	DB8	DB7	DB6	DB5	DB4	DB3	DB2	DB1	DB0	Color	
03h								R3	R2	R1	R0	G3	G2	G1	G0	B3	B2	B1	B0	4K-Color
05h	x	x	R4	R3	R2	R1	R0	G5	G4	G3	G2	G1	G0	B5	B4	B3	B2	B1	65K-Color	
06h	x	x	R5	R4	R3	R2	R1	R0	x	x	G5	G4	G3	G2	G1	G0	x	x	262K-Color (2-pixels/ 3bytes)	
	x	x	B5	B4	B3	B2	B1	B0	x	x	R5	R4	R3	R2	R1	R0	x	x		
	x	x	G5	G4	G3	G2	G1	G0	x	x	B5	B4	B3	B2	B1	B0	x	x		
07h	x	x	R5	R4	R3	R2	R1	R0	G5	G4	G3	G2	G1	G0	B5	B4	B3	B2	262K-Color (16+2)	
	x	x	x	x	x	x	x	x	x	x	x	x	x	x	x	x	B1	B0		

Table 4.4: 16-bit parallel interface type I GRAM write table

- Parallel 9-Bit Bus Interface type (IM3,IM2,IM1,IM0="1001")

Register Command	DB17	DB16	DB15	DB14	DB13	DB12	DB11	DB10	DB9	DB8	DB7	DB6	DB5	DB4	DB3	DB2	DB1	DB0	Register
	x	x	x	x	x	x	x	x	x	x	0	0	1	0	0	0	1	0	<b>22H</b>
<b>17H</b>	DB17	DB16	DB15	DB14	DB13	DB12	DB11	DB10	DB9	DB8	DB7	DB6	DB5	DB4	DB3	DB2	DB1	DB0	Color
06h	x	x	x	x	x	x	x	x	x	R5	R4	R3	R2	R1	R0	G5	G4	G3	262K-Color (1-pixels/ 2bytes)
	x	x	x	x	x	x	x	x	x	G2	G1	G0	B5	B4	B3	B2	B1	B0	

Table 4.5: 9-bit parallel interface type I GRAM write table

- Parallel 18-Bit Bus Interface type (IM3,IM2,IM1,IM0="1000")

Register Command	DB17	DB16	DB15	DB14	DB13	DB12	DB11	DB10	DB9	DB8	DB7	DB6	DB5	DB4	DB3	DB2	DB1	DB0	Register
	x	x	x	x	x	x	x	x	x	x	0	0	1	0	0	0	1	0	<b>22H</b>
<b>17H</b>	DB17	DB16	DB15	DB14	DB13	DB12	DB11	DB10	DB9	DB8	DB7	DB6	DB5	DB4	DB3	DB2	DB1	DB0	Color
06h	R5	R4	R3	R2	R1	R0	G5	G4	G3	G2	G1	G0	B5	B4	B3	B2	B1	B0	262K-Color

Table 4.6: 18-bit parallel interface type I GRAM write table



- Parallel 8-Bit Bus Interface typeII (IM3,IM2,IM1,IM0="0011")

Register Command	DB17	DB16	DB15	DB14	DB13	DB12	DB11	DB10	DB9	DB8	DB7	DB6	DB5	DB4	DB3	DB2	DB1	DB0	Command
	0	0	1	0	0	0	1	0	x	x	x	x	x	x	x	x	x	x	<b>22H</b>
<b>17H</b>	DB17	DB16	DB15	DB14	DB13	DB12	DB11	DB10	DB9	DB8	DB7	DB6	DB5	DB4	DB3	DB2	DB1	DB0	Color
03h	R3	R2	R1	R0	G3	G2	G1	G0	x	x	x	x	x	x	x	x	x	x	4K-Color (2-pixels/ 3-bytes)
	B3	B2	B1	B0	R3	R2	R1	R0	x	x	x	x	x	x	x	x	x	x	
05h	R4	R3	R2	R1	R0	G5	G4	G3	x	x	x	x	x	x	x	x	x	x	65K-Color (1-pixel/ 2-bytes)
	G2	G1	G0	B4	B3	B2	B1	B0	x	x	x	x	x	x	x	x	x	x	
06h	R5	R4	R3	R2	R1	R0	x	x	x	x	x	x	x	x	x	x	x	x	262K-Color (1-pixel/ 3bytes)
	G5	G4	G3	G2	G1	G0	x	x	x	x	x	x	x	x	x	x	x	x	
	B5	B4	B3	B2	B1	B0	x	x	x	x	x	x	x	x	x	x	x	x	

Table 4.7: 8-bit parallel interface type II GRAM write table

- Parallel 16-Bit Bus Interface typeII (IM3,IM2,IM1,IM0="0010")

Register Command	DB17	DB16	DB15	DB14	DB13	DB12	DB11	DB10	DB9	DB8	DB7	DB6	DB5	DB4	DB3	DB2	DB1	DB0	Command
									x	0	0	1	0	0	0	1	0	x	<b>22H</b>
<b>17H</b>	DB17	DB16	DB15	DB14	DB13	DB12	DB11	DB10	DB9	DB8	DB7	DB6	DB5	DB4	DB3	DB2	DB1	DB0	Color
03h	x	x	x	x	R3	R2	R1	R0	x	G3	G2	G1	G0	B3	B2	B1	B0	x	4K-Color
05h	R4	R3	R2	R1	R0	G5	G4	G3	x	G2	G1	G0	B4	B3	B2	B1	B0	x	65K-Color
06h	R5	R4	R3	R2	R1	R0	x	x	x	G5	G4	G3	G2	G1	G0	x	x	x	262K-Color (2-pixels/ 3bytes)
	B5	B4	B3	B2	B1	B0	x	x	x	R5	R4	R3	R2	R1	R0	x	x	x	
07h	G5	G4	G3	G2	G1	G0	x	x	x	B5	B4	B3	B2	B1	B0	x	x	x	262K-Color (16+2)
	R5	R4	R3	R2	R1	R0	G5	G4	x	G3	G2	G1	G0	B5	B4	B3	B2	x	
	B1	B0	x	x	x	x	x	x	x	x	x	x	x			x	x	x	

Table 4.8: 16-bit parallel interface type II GRAM write set table

- Parallel 9-Bit Bus Interface typeII (IM3,IM2,IM1,IM0="1011")

Register Command	D17	D16	D15	D14	D13	D12	D11	D10	D9	D8	D7	D6	D5	D4	D3	D2	D1	D0	Register
	0	0	1	0	0	0	1	0	x	x	x	x	x	x	x	x	x	x	<b>22H</b>
<b>17H</b>	D8	D7	D6	D5	D4	D3	D2	D1	D0	D8	D7	D6	D5	D4	D3	D2	D1	D0	Color
06h	R5	R4	R3	R2	R1	R0	G5	G4	G3	x	x	x	x	x	x	x	x	x	262K-Color (1-pixel/ 2bytes)
	G2	G1	G0	B5	B4	B3	B2	B1	B0	x	x	x	x	x	x	x	x	x	

Table 4.9: 9-bit parallel interface set type II GRAM write table

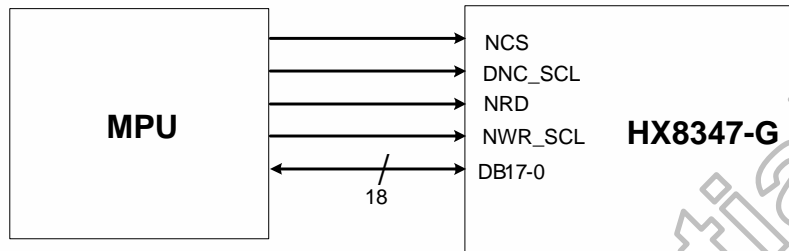
- Parallel 18-Bit Bus Interface typeII (IM3,IM2,IM1,IM0="1010")

Register Command	DB17	DB16	DB15	DB14	DB13	DB12	DB11	DB10	DB9	DB8	DB7	DB6	DB5	DB4	DB3	DB2	DB1	DB0	Register
	x	x	x	x	x	x	x	x	x	0	0	1	0	0	0	1	0	x	<b>22H</b>
<b>17H</b>	DB17	DB16	DB15	DB14	DB13	DB12	DB11	DB10	DB9	DB8	DB7	DB6	DB5	DB4	DB3	DB2	DB1	DB0	Color
06h	R5	R4	R3	R2	R1	R0	G5	G4	G3	G2	G1	G0	B5	B4	B3	B2	B1	B0	262K-Color

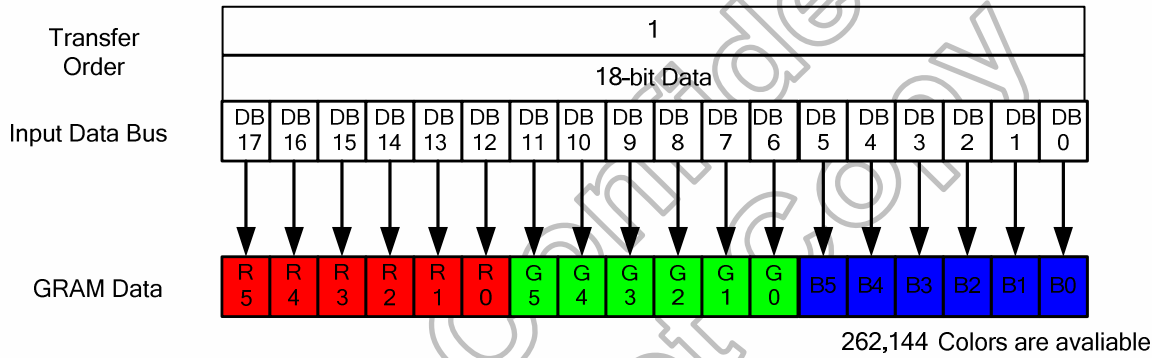
Table 4.10: 18-bit parallel interface type II GRAM write set table

**18-bit parallel bus system interface**

The I80-system 18-bit parallel bus interface **type I** in command-parameter interface mode can be used by setting external pins “IM3, IM2, IM1, IM0” pins to “1000”. And the I80-system 18-bit parallel bus interface **type II** in command-parameter interface mode can be used by setting “IM3, IM2, IM1, IM0” pins to “1010”. Figure 4.3 is the example of interface with I80 microcomputer system interface.



**Figure 4.3: Example of I80- system 18-bit parallel bus interface**



**Figure 4.4: Input data bus and GRAM data mapping in 18-bit bus system interface with 18-bit-data Input (“IM3, IM2, IM1, IM0”=“1010” or “1000”)**

**16-bit parallel bus system interface**

The I80-system 16-bit parallel bus interface **type I** in command-parameter interface mode can be used by setting external pins “IM3, IM2, IM1, IM0” pins to “0000”. And I80-system 16-bit parallel bus interface **type II** in command-parameter interface mode can be used by setting “IM3, IM2, IM1, IM0” pins to “0010”. Figure 4.5 is the example of type I interface with I80 microcomputer system interface. And Figure 4.6 is the example of type II interface with I80 microcomputer system interface.

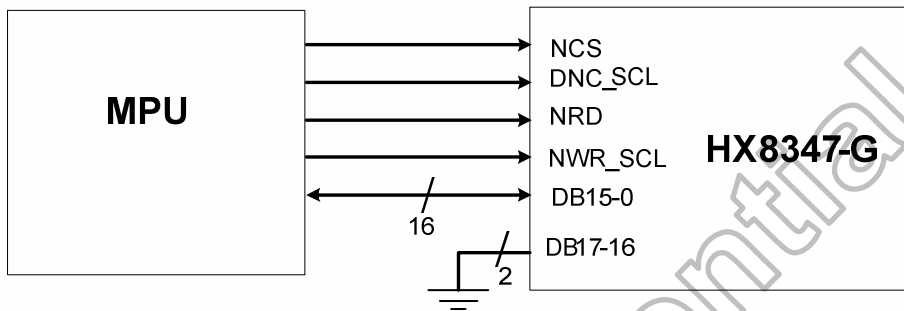


Figure 4.5: Example of I80 system 16-bit parallel bus interface type I

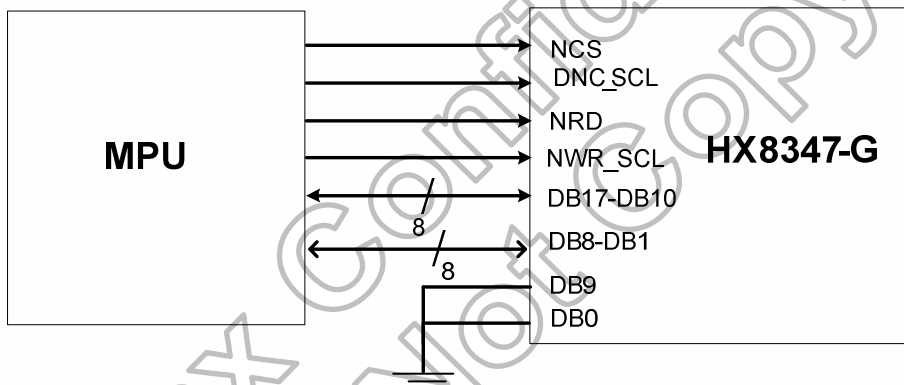
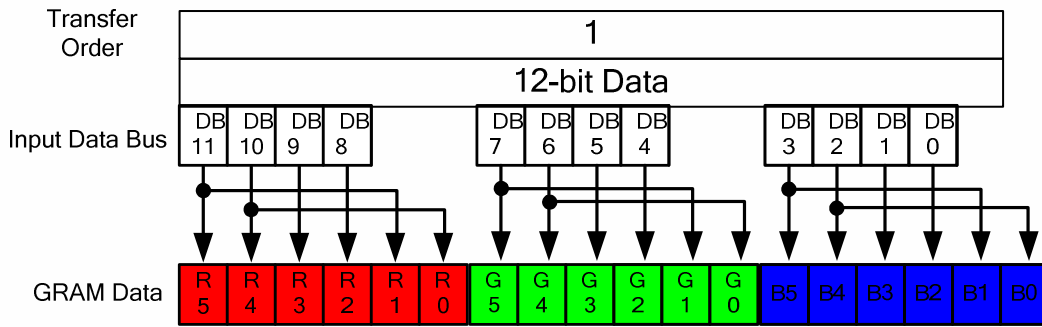
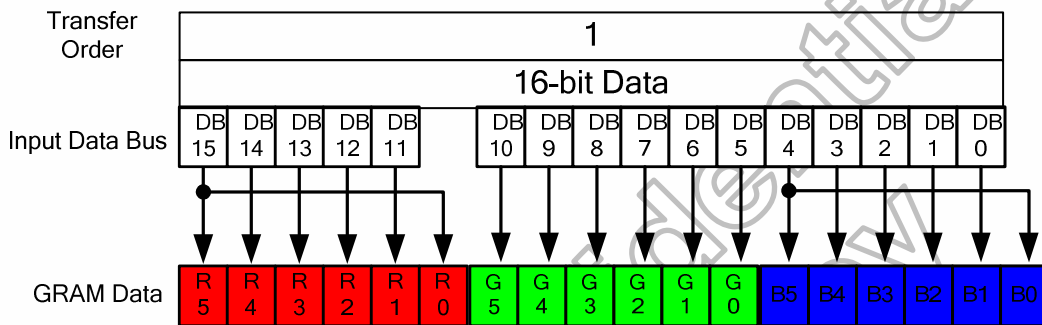


Figure 4.6: Example of I80 system 16-bit parallel bus interface type II



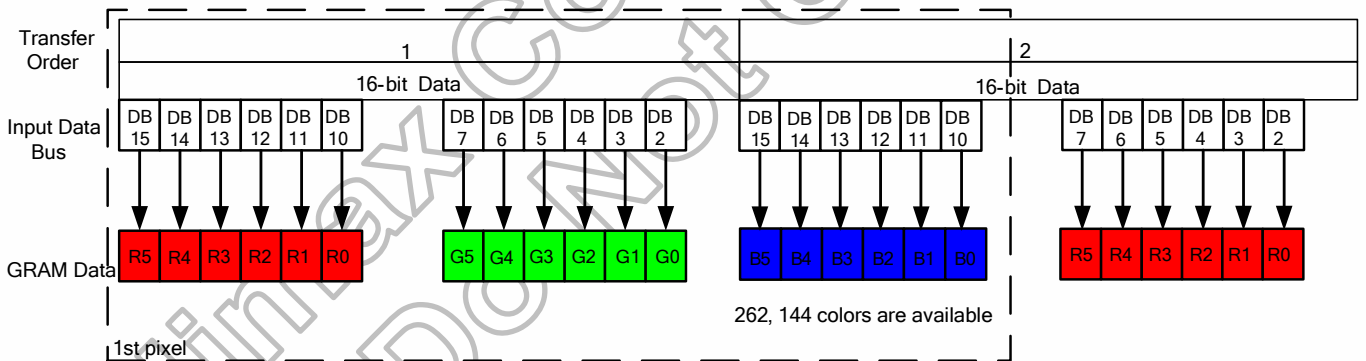
65,536 Colors are available

Figure 4.7: Input data bus and GRAM data mapping in 16-bit bus system interface with 12-bit-data input (R17H=03h and "IM3, IM2, IM1, IM0"="0000")



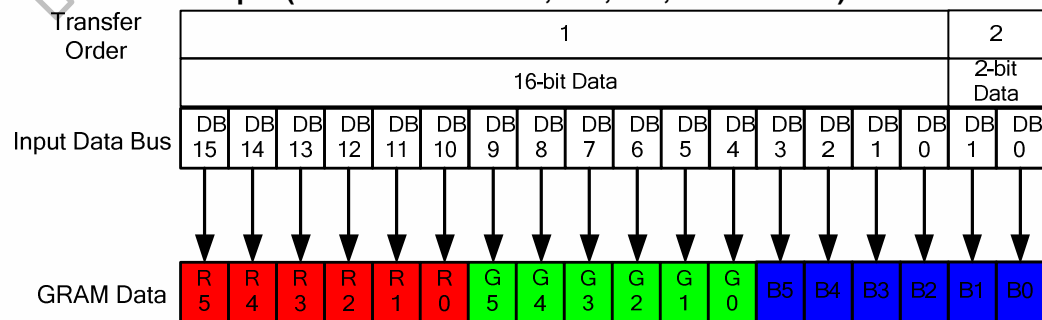
65,536 Colors are available

Figure 4.8: Input data bus and GRAM data mapping in 16-bit bus system interface with 16-bit-data input (R17H=05h and "IM3, IM2, IM1, IM0"="0000")



262, 144 colors are available

Figure 4.9: Input data bus and GRAM data mapping in 16-bit bus system interface with 18-bit-data input (R17H=06h and "IM3, IM2, IM1, IM0"="0000")



262,144 Colors are available

Figure 4.10: Input data bus and GRAM data mapping in 16-bit bus system interface with 18(16+2) bit-data input (R17H=07h and "IM3, IM2, IM1, IM0"="0000")

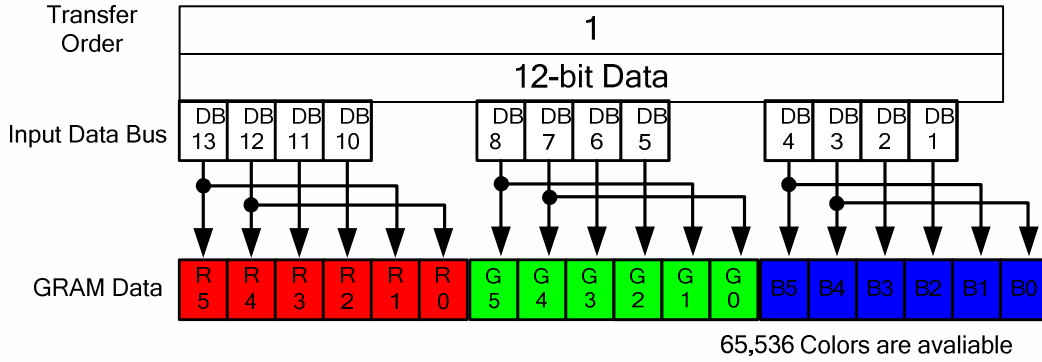


Figure 4.11: Input data bus and GRAM data mapping in 16-bit bus system interface with 12-bit-data input (R17H=03h and "IM3, IM2, IM1, IM0"="0010")

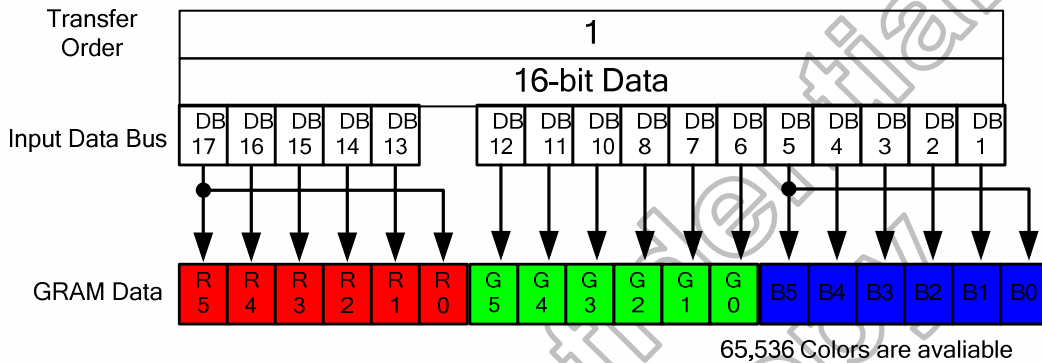


Figure 4.12: Input data bus and GRAM data mapping in 16-bit bus system interface with 16-bit-data input (R17H=05h and "IM3, IM2, IM1, IM0"="0010")

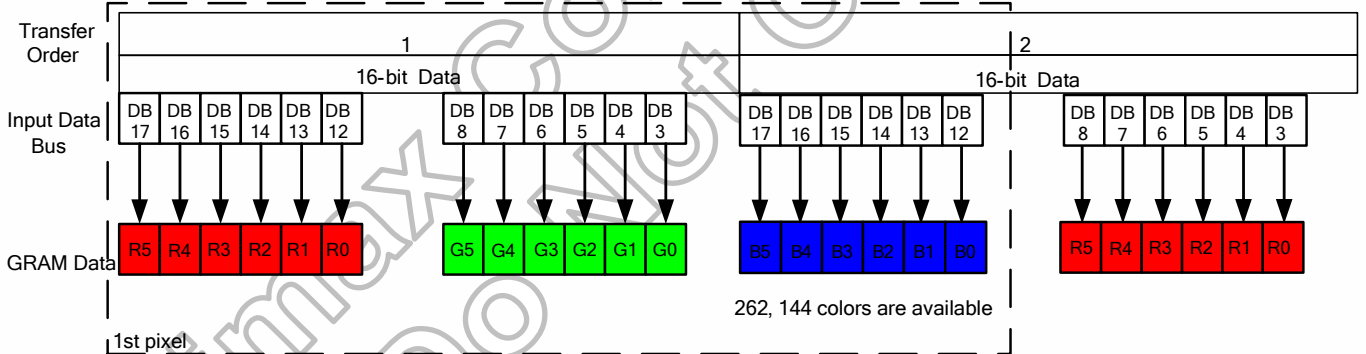


Figure 4.13: Input data bus and GRAM data mapping in 16-bit bus system interface with 18(12+6) bit-data input (R17H=06h and "IM3, IM2, IM1, IM0"="0010")

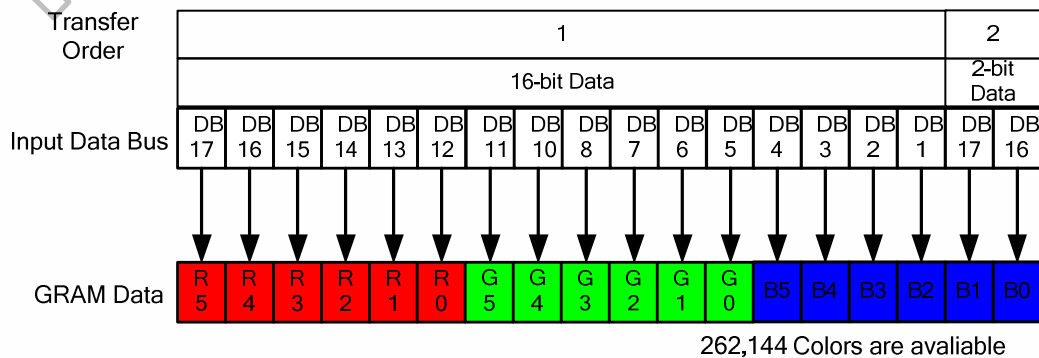


Figure 4.14: Input data bus and GRAM data mapping in 16-bit bus system interface with 18(16+2) bit-data input (R17H=07h and "IM3, IM2, IM1, IM0"="0010")

**9-bit parallel bus system interface**

The I80-system 9-bit parallel bus interface **type I** in command-parameter interface mode can be used by setting external pins “IM3, IM2, IM1, IM0” pins to “1001”. And I80-system 9-bit parallel bus interface **type II** in command-parameter interface mode can be used by setting “IM3, IM2, IM1, IM0” pins to “1011”. Figure 4.15 is the example of type I interface with I80 microcomputer system interface. And Figure 4.16 is the example of type II interface with I80 microcomputer system interface.

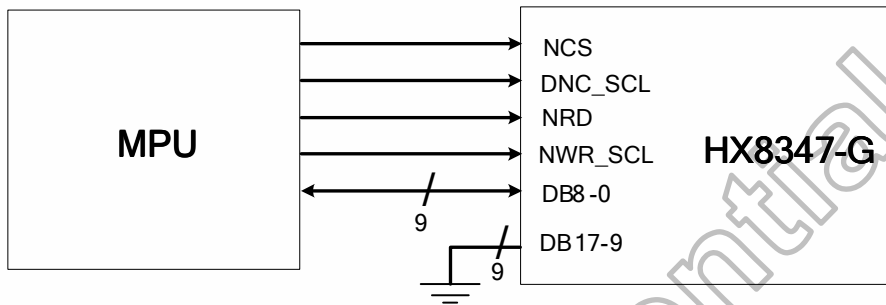


Figure 4.15: Example of I80 system 9-bit parallel bus interface type I

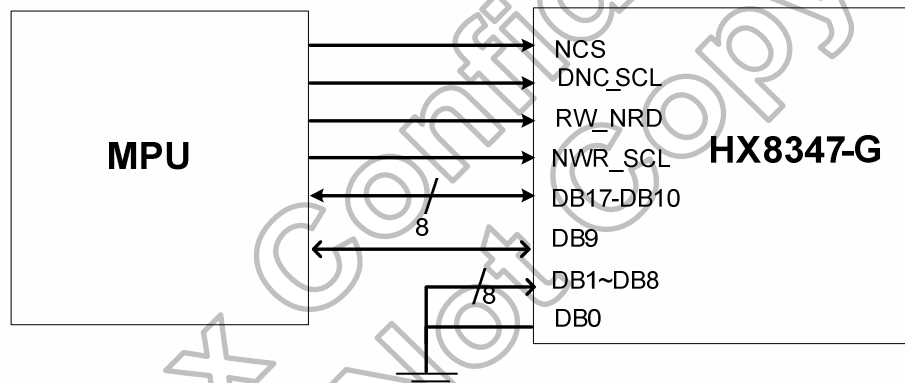


Figure 4.16: Example of I80 system 9-bit parallel bus interface type II

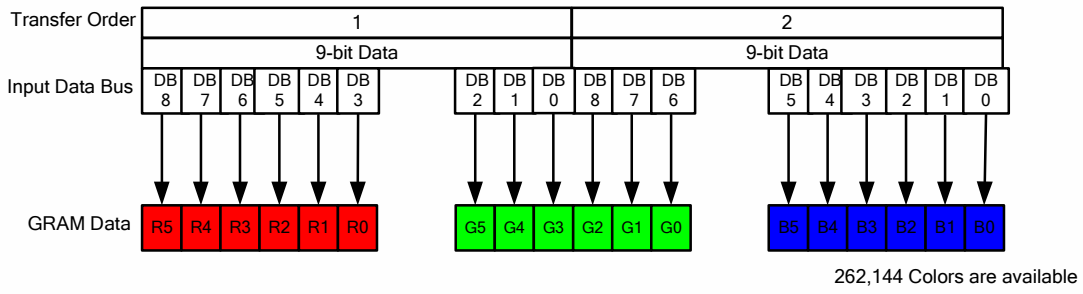


Figure 4.17: Input data bus and GRAM data mapping in 9-bit bus system interface with 18-bit-data input (R17H=06h and “IM3, IM2, IM1, IM0”=“1001”)

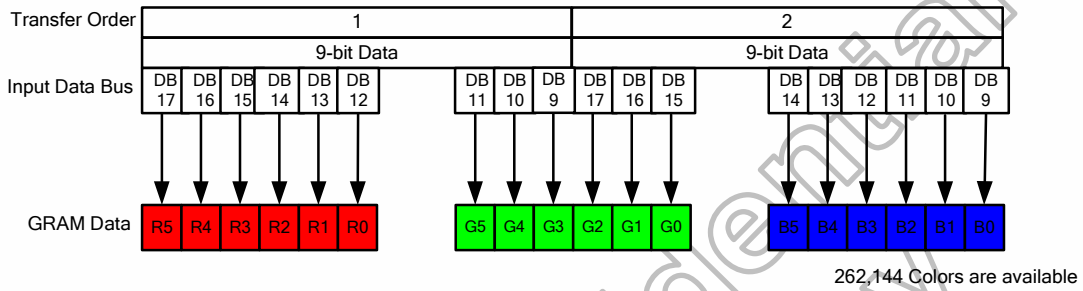


Figure 4.18: Input data bus and GRAM data mapping in 9-bit bus system interface with 18-bit-data input (R17H=06h and “IM3, IM2, IM1, IM0”=“1011”)

Himax Confidential Do Not Copy

**8-bit Parallel Bus System Interface**

The I80-system 8-bit parallel bus interface **type I** in command-parameter interface mode can be used by setting external pins “IM3, IM2, IM1, IM0” pins to “0001”. And I80-system 8-bit parallel bus interface **type II** in command-parameter interface mode can be used by setting “IM3, IM2, IM1, IM0” pins to “0011”. Figure 4.19 is the example of type I interface with I80 microcomputer system interface. And Figure 4.20 is the example of type II interface with I80 microcomputer system interface.

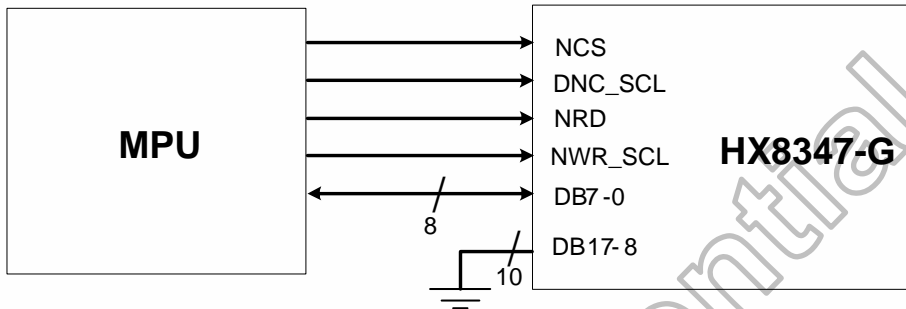


Figure 4.19: Example of I80 system 8-bit parallel bus interface type I

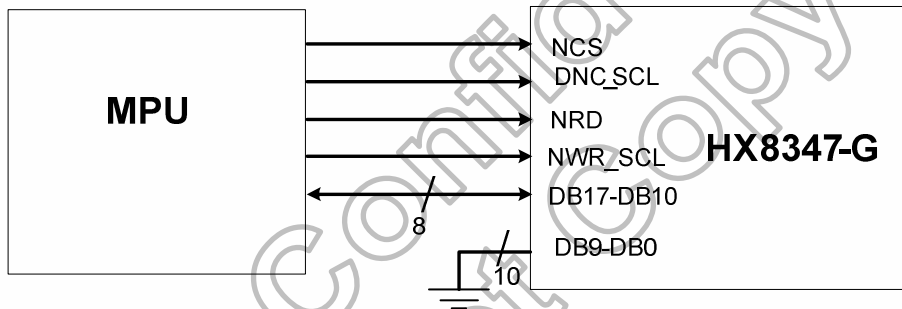


Figure 4.20: Example of I80 system 8-bit parallel bus interface type II



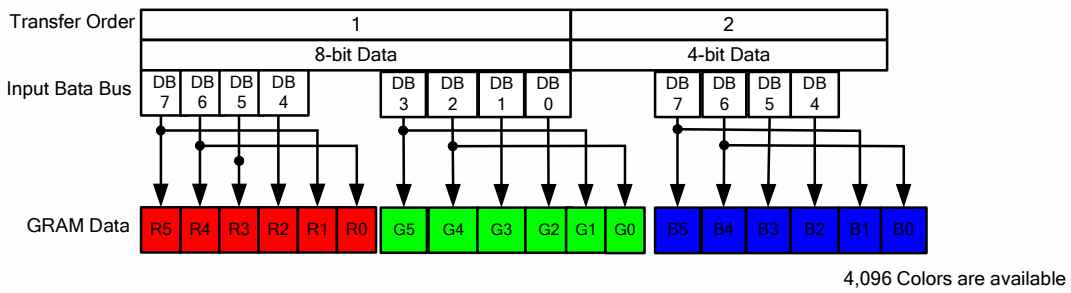


Figure 4.21: Input data bus and GRAM data mapping in 8-bit bus system interface with 12-bit-data input (R17H=03h and “IM3, IM2, IM1, IM0”=“0001”)

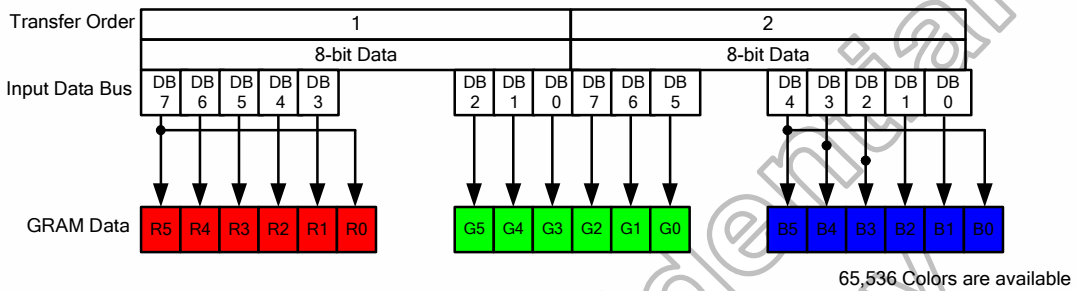


Figure 4.22: Input data bus and GRAM data mapping in 8-bit bus system interface with 16-bit-data input (R17H=05h and “IM3, IM2, IM1, IM0”=“0001”)

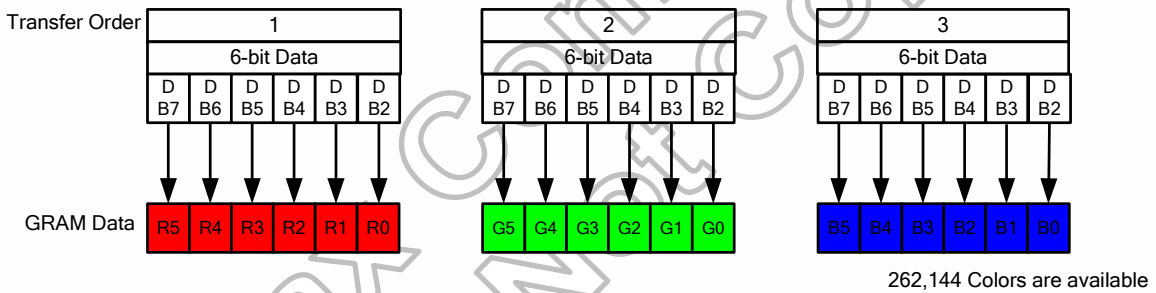
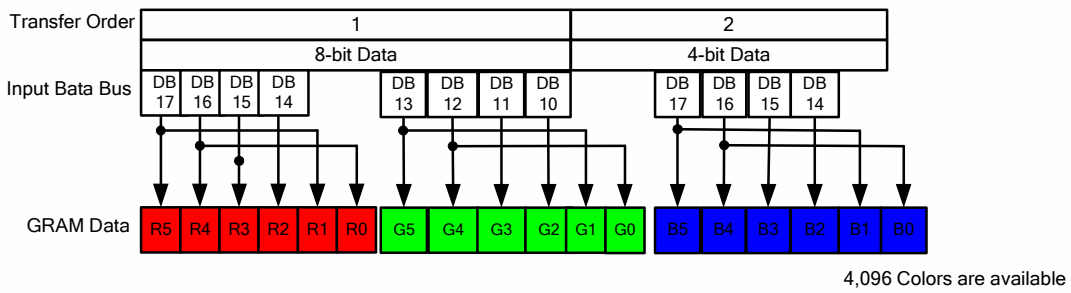
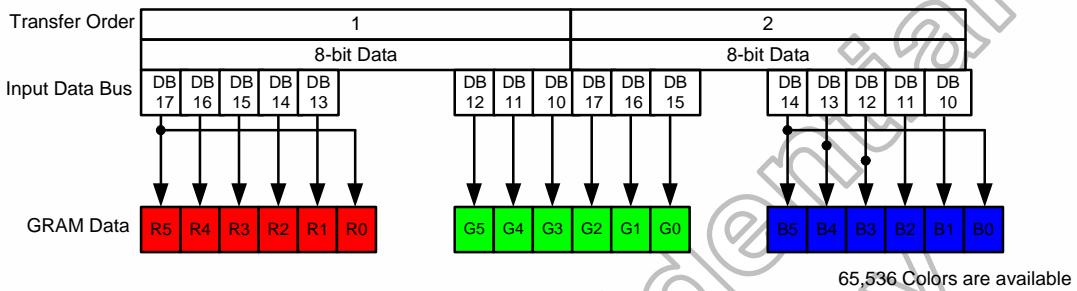


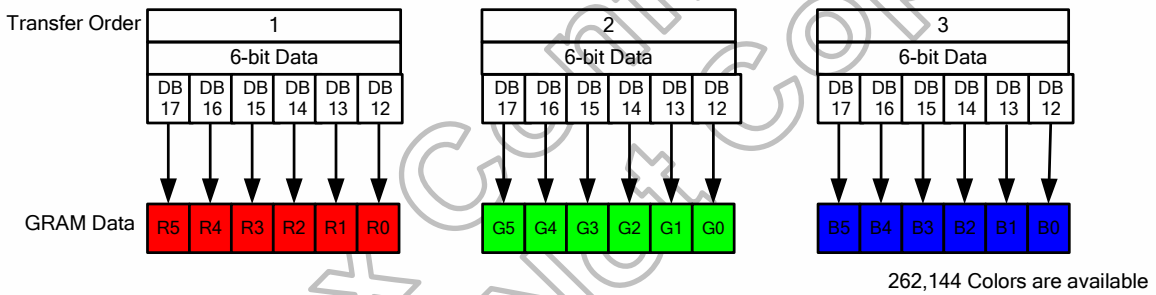
Figure 4.23: Input data bus and GRAM data mapping in 8-bit bus system interface with 18-bit-data input (R17H=06h and “IM3, IM2, IM1, IM0”=“0001”)



**Figure 4.24: Input data bus and GRAM data mapping in 8-bit bus system interface with 12-bit-data input (R17H=03h and “IM3, IM2, IM1, IM0”=“0011”)**



**Figure 4.25: Input data bus and GRAM data mapping in 8-bit bus system interface with 16-bit-data input (R17H=05h and “IM3, IM2, IM1, IM0”=“0011”)**



**Figure 4.26: Input data bus and GRAM data mapping in 8-bit bus system interface with 18-bit-data input (R17H=06h and “IM3, IM2, IM1, IM0”=“0011”)**

## MCU Data Color Coding for RAM data Read

- Parallel 8-Bit Bus Interface type I (IM3,IM2,IM1,IM0="0001")

Register Command	D17	D16	D15	D14	D13	D12	D11	D10	D9	D8	D7	D6	D5	D4	D3	D2	D1	D0	Command
	x	x	x	x	x	x	x	x	x	x	0	0	1	0	0	0	1	0	<b>22H</b>
Read Data Format	D17	D16	D15	D14	D13	D12	D11	D10	D9	D8	D7	D6	D5	D4	D3	D2	D1	D0	Color
	x	x	x	x	x	x	x	x	x	x	x	x	x	x	x	x	x	x	Dummy Read
	x	x	x	x	x	x	x	x	x	x	R5	R4	R3	R2	R1	R0	x	x	262K-Color (1-pixel/ 3bytes)
	x	x	x	x	x	x	x	x	x	x	G5	G4	G3	G2	G1	G0	x	x	
x	x	x	x	x	x	x	x	x	x	B5	B4	B3	B2	B1	B0	x	x		

Table 4.11: 8-bit parallel interface type I GRAM read table

- Parallel 16-Bit Bus Interface type I (IM3,IM2,IM1,IM0="0000")

Register Command	D17	D16	D15	D14	D13	D12	D11	D10	D9	D8	D7	D6	D5	D4	D3	D2	D1	D0	Command
	x	x	x	x	x	x	x	x	x	x	0	0	1	0	0	0	1	0	<b>22H</b>
Read Data Format	D17	D16	D15	D14	D13	D12	D11	D10	D9	D8	D7	D6	D5	D4	D3	D2	D1	D0	Color
	x	x	x	x	x	x	x	x	x	x	x	x	x	x	x	x	x	x	Dummy Read
	x	x	R5	R4	R3	R2	R1	R0	x	x	G5	G4	G3	G2	G1	G0	x	x	262K-Color (2-pixels/ 3bytes)
	x	x	B5	B4	B3	B2	B1	B0	x	x	R5	R4	R3	R2	R1	R0	x	x	
x	x	G5	G4	G3	G2	G1	G0	x	x	B5	B4	B3	B2	B1	B0	x	x		

Table 4.12: 16-bit parallel interface type I GRAM read table

- Parallel 9-Bit Bus Interface type I (IM3,IM2,IM1,IM0="1001")

Register Command	D17	D16	D15	D14	D13	D12	D11	D10	D9	D8	D7	D6	D5	D4	D3	D2	D1	D0	Register
	x	x	x	x	x	x	x	x	x	x	0	0	1	0	0	0	1	0	<b>22H</b>
Read Data Format	D17	D16	D15	D14	D13	D12	D11	D10	D9	D8	D7	D6	D5	D4	D3	D2	D1	D0	Color
	x	x	x	x	x	x	x	x	x	x	x	x	x	x	x	x	x	x	Dummy Read
	x	x	x	x	x	x	x	x	x	R5	R4	R3	R2	R1	R0	G5	G4	G3	262K-Color (1-pixel/ 2bytes)
	x	x	x	x	x	x	x	x	x	G2	G1	G0	B5	B4	B3	B2	B1	B0	

Table 4.13: 9-bit parallel interface type I GRAM read table

- Parallel 18-Bit Bus Interface type I (IM3,IM2,IM1,IM0="1000")

Register Command	D17	D16	D15	D14	D13	D12	D11	D10	D9	D8	D7	D6	D5	D4	D3	D2	D1	D0	Register
	x	x	x	x	x	x	x	x	x	x	0	0	1	0	0	0	1	0	<b>22H</b>
Read Data Format	D17	D16	D15	D14	D13	D12	D11	D10	D9	D8	D7	D6	D5	D4	D3	D2	D1	D0	Color
	x	x	x	x	x	x	x	x	x	x	x	x	x	x	x	x	x	x	Dummy Read
	R5	R4	R3	R2	R1	R0	G5	G4	G3	G2	G1	G0	B5	B4	B3	B2	B1	B0	262K-Color

Table 4.14: 18-bit parallel interface type I GRAM read table

- Parallel 8-Bit Bus Interface type II (IM3,IM2,IM1,IM0="0011")

Register Command	DB17	DB16	DB15	DB14	DB13	DB12	DB11	DB10	DB9	DB8	DB7	DB6	DB5	DB4	DB3	DB2	DB1	DB0	Command
	0	0	1	0	0	0	1	0	x	x	x	x	x	x	x	x	x	x	<b>22H</b>
Read Data Format	DB17	DB16	DB15	DB14	DB13	DB12	DB11	DB10	DB9	DB8	DB7	DB6	DB5	DB4	DB3	DB2	DB1	DB0	Color
	x	x	x	x	x	x	x	x	x	x	x	x	x	x	x	x	x	x	Dummy Read
	R5	R4	R3	R2	R1	R0	x	x											262K-Color (1-pixel/ 3bytes)
	G5	G4	G3	G2	G1	G0	x	x	x	x	x	x	x	x	x	x	x	x	
	B5	B4	B3	B2	B1	B0	x	x	x	x	x	x	x	x	x	x	x	x	

Table 4.15: 8-bit parallel interface type II GRAM read table

- Parallel 16-Bit Bus Interface type II (IM3,IM2,IM1,IM0="0010")

Register Command	DB17	DB16	DB15	DB14	DB13	DB12	DB11	DB10	DB9	DB8	DB7	DB6	DB5	DB4	DB3	DB2	DB1	DB0	Command
	x	x	x	x	x	x	x	x	x	0	0	1	0	0	0	1	0	x	<b>22H</b>
Read Data Format	DB17	DB16	DB15	DB14	DB13	DB12	DB11	DB10	DB9	DB8	DB7	DB6	DB5	DB4	DB3	DB2	DB1	DB0	Color
		x	x	x	x	x	x	x	x		x	x	x	x	x	x	x	x	Dummy Read
	R5	R4	R3	R2	R1	R0	x	x	x	G5	G4	G3	G2	G1	G0	x	x	x	262K-Color (2-pixels/ 3bytes)
	B5	B4	B3	B2	B1	B0	x	x	x	R5	R4	R3	R2	R1	R0	x	x	x	
	G5	G4	G3	G2	G1	G0	x	x	x	B5	B4	B3	B2	B1	B0	x	x	x	

Table 4.16: 16-bit parallel interface type II GRAM read table

- Parallel 9-Bit Bus Interface type II (IM3,IM2,IM1,IM0="1011")

Register Command	D17	D16	D15	D14	D13	D12	D11	D10	D9	D8	D7	D6	D5	D4	D3	D2	D1	D0	Register
	0	0	1	0	0	0	1	0	x	x	x	x	x	x	x	x	x	x	<b>22H</b>
Read Data Format	D17	D16	D15	D14	D13	D12	D11	D10	D9	D8	D7	D6	D5	D4	D3	D2	D1	D0	Color
	x	x	x	x	x	x	x	x	x	x	x	x	x	x	x	x	x	x	Dummy Read
	R5	R4	R3	R2	R1	R0	G5	G4	G3	x	x	x	x	x	x	x	x	x	262K-Color (1-pixel/ 2bytes)
	G2	G1	G0	B5	B4	B3	B2	B1	B0	x	x	x	x	x	x	x	x	x	

Table 4.17: 9-bit parallel interface type II GRAM read table

- Parallel 18-Bit Bus Interface type II (IM3,IM2,IM1,IM0="1010")

Register Command	D17	D16	D15	D14	D13	D12	D11	D10	D9	D8	D7	D6	D5	D4	D3	D2	D1	D0	Register
	x	x	x	x	x	x	x	x	x	0	0	1	0	0	0	1	0	x	<b>22H</b>
Read Data Format	D17	D16	D15	D14	D13	D12	D11	D10	D9	D8	D7	D6	D5	D4	D3	D2	D1	D0	Color
	x	x	x	x	x	x	x	x	x	x	x	x	x	x	x	x	x	x	Dummy Read
	R5	R4	R3	R2	R1	R0	G5	G4	G3	G2	G1	G0	B5	B4	B3	B2	B1	B0	262K-Color

Table 4.18: 18-bit parallel interface type II GRAM read table

### 4.1.3 Serial bus system interface

The HX8347-G supports two kinds of serial bus interface in register-content mode by setting external pins “IM3, IM2, IM1” pins to “010” 3-wire serial interface I, and “IM3,IM2, IM1” pins to “011” 4-wire serial interface I. The serial bus system interface I mode is enabled through the chip select line (NCS), and it is accessed via a control consisting of the serial input data (SDA), and the serial transfer clock signal (NWR\_SCL).

The external setting “IM3, IM2, IM1” pins to “110” 3-wire serial interface II and and “IM3,IM2, IM1” pins to “111” 4-wire serial interface II. The serial bus system interface I mode is enabled through the chip select line (NCS), and it is accessed via a control consisting of the serial input data (SDI) output data (SDO), and the serial transfer clock signal (NWR\_SCL).

#### 4.1.3.1 3-wire serial interface

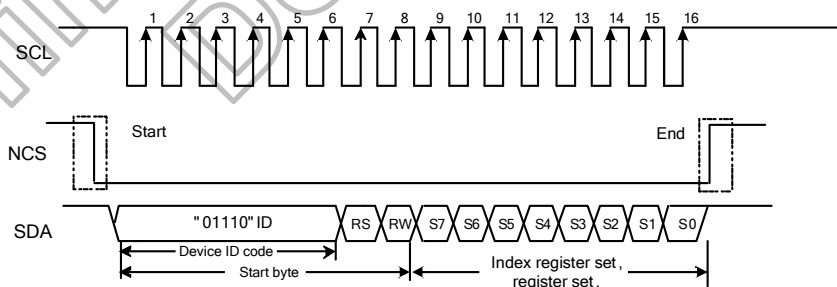
As the chip select signal (NCS) goes low, the start byte needs to be transferred first. The start byte is made up of 6-bit bus device identification code; register select (RS) bit and read/write operation (RW) bit. The five upper bits of 6-bit bus device identification code must be set to “01110”, and the least significant bit of the identification code must be set as the external pin IM0 input as “ID”.

The seventh bit (RS) of the start byte determines internal index register or register, GRAM accessing. RS must be set to “0” when writing data to the index register or reading the status and it must be set to “1” when writing or reading a command or GRAM data. The read or write operation is selected by the eighth bit (RW) of the start byte. The data is written to the chip when R/W = 0, and read from chip when RW = 1.

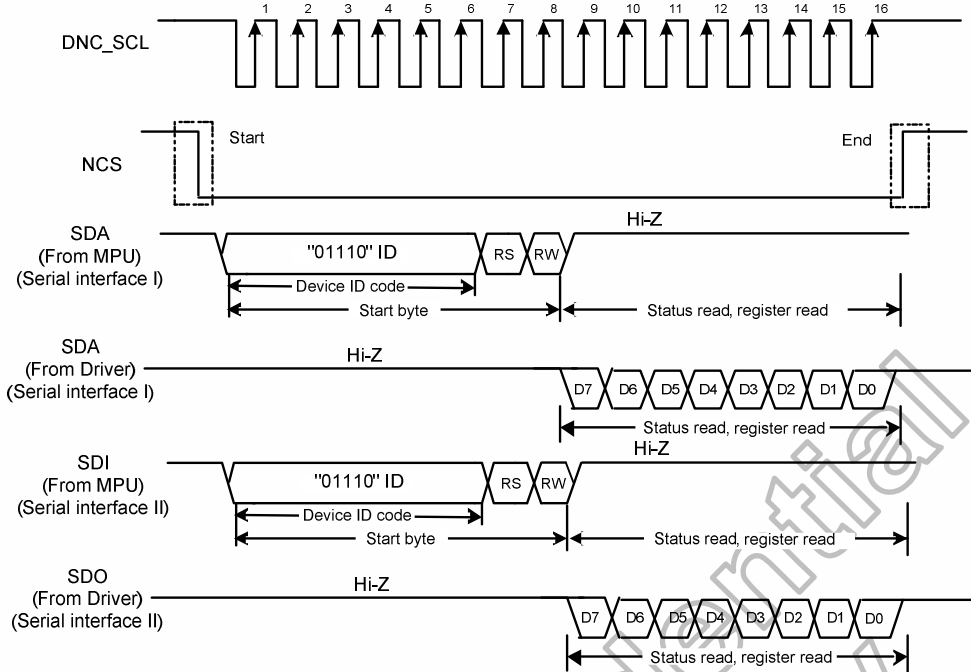
RS	R/W	Function
0	0	Set index register
1	0	Writes Instruction or GRAM data
1	1	Reads command (Not support GRAM read)

Table 4.19: Function of RS and R/W bit bus

A) TransferTiming Format in Serial Bus Interface for Index Register or Register Write



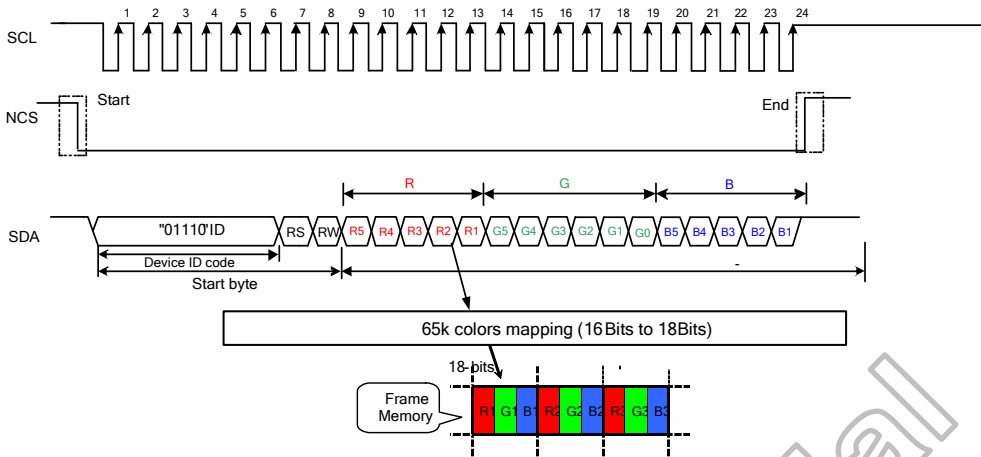
**B) Transfer Timing Format in Serial Bus Interface for Index Register or Register Read**



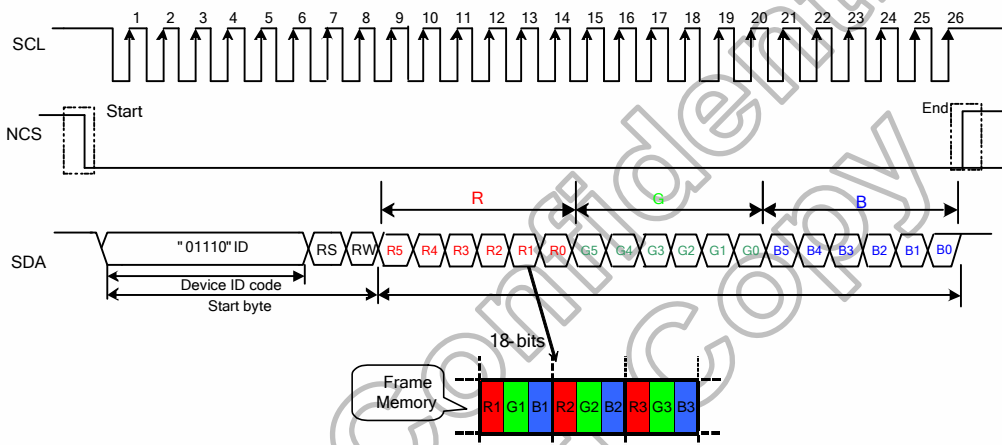
**Figure 4.27: Index register read/write timing in 3-wire serial bus system interface**

Himax Confidential  
Do Not Copy

**A) 16-bit Data Transfer Timing Format in Serial Bus Interface for GRAM write ( Index 17h= 05)**



**B) 18-bit Data Transfer Timing Format in Serial Bus Interface for GRAM write ( Index 17H=06)**



**Figure 4.28: Data write timing in 3-wire serial bus system interface**

4.1.3.2 4-wire serial interface

4-pin serial case, data packet contains just transmission byte and control bit DNC is transferred by DNC pin. If DNC is low, the transmission byte is command byte. If DNC is high, the transmission byte is stored to index register or GRAM. The MSB is transmitted first. The serial interface is initialized when NCS is high. In this state, NWR\_SCL clock pulse or SDA data have no effect. A falling edge on NCS enables the serial interface and indicates the start of data transmission.

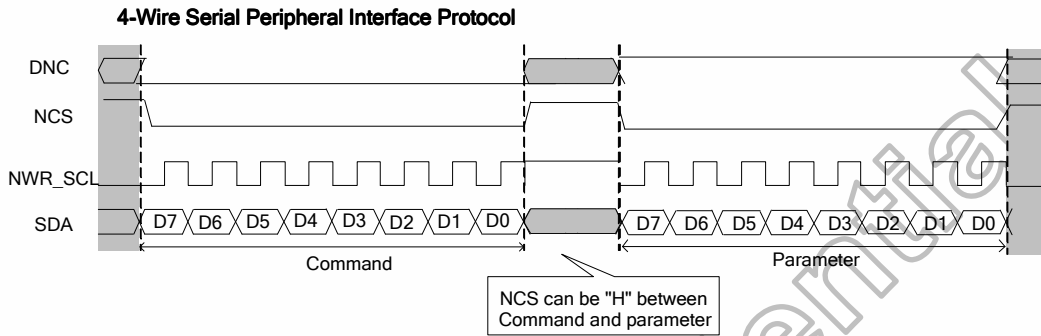


Figure 4.29: Index register write timing in 4-wire serial bus system interface

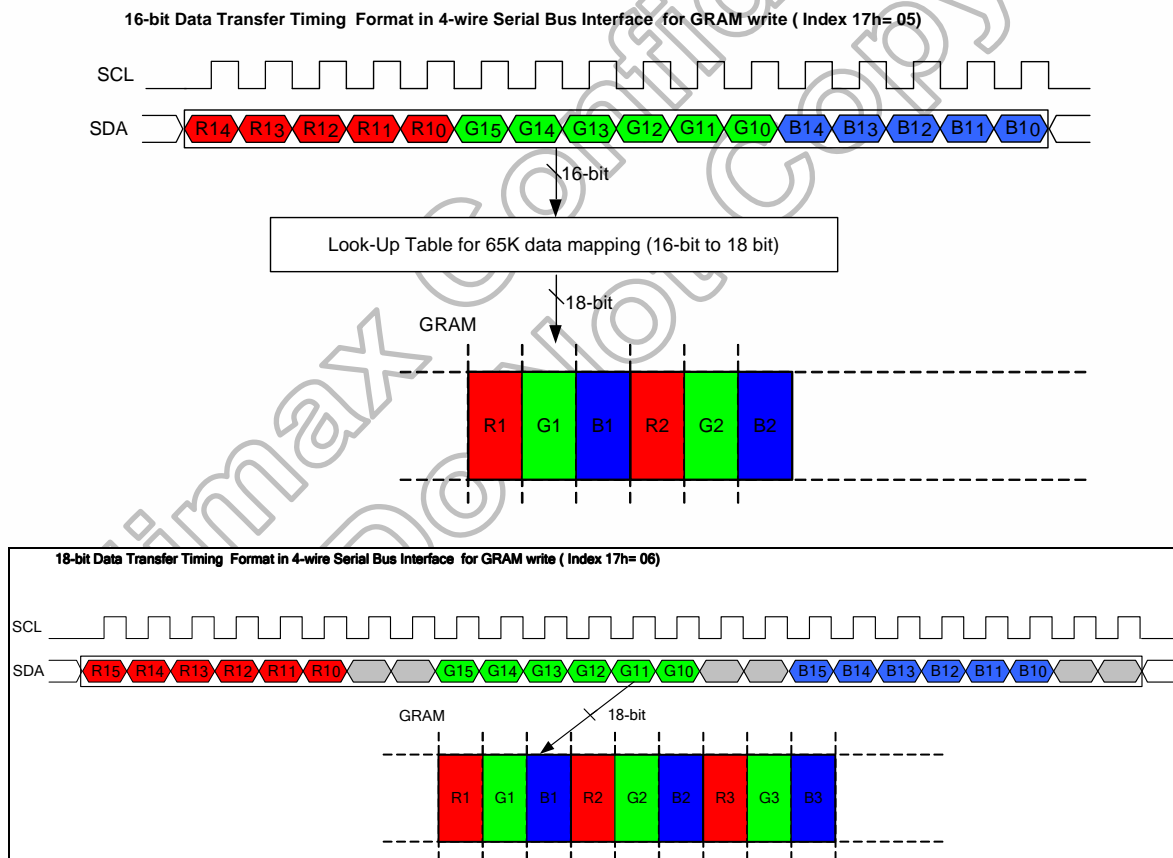


Figure 4.30: Data write timing in 4-wire serial bus system interface



## 4.2 RGB Interface

The HX8347-G uses **RCM [1:0] = '10' or '11' Software setting to select RGB interface**. After Power on Sequence, the RGB interface is activated. When RCM [1:0] = '10' use VSYNC, HSYNC, DE, DOTCLK, DB17-0 parallel lines for the RGB interface (RGB mode 1). When RCM [1:0] = '11' use VSYNC, HSYNC, DOTCLK, DB17-0 parallel lines for the RGB interface (RGB mode 2)

Pixel clock (DOTCLK) must be running all the time without stopping and it is used to entering VSYNC, HSYNC, DE and DB17-0 lines states when there is a rising edge of the DOTCLK.

In RGB interface mode 1, the valid display data is inputted in pixel unit via DB17-0 according to the high-level('H') of DE signal, and display operations are executed in synchronization with the frame synchronizing signal (VSYNC), line synchronizing signal (HSYNC) and pixel clock (DOTCLK). In RGB interface mode 2, the valid display data is inputted in pixel unit via DB17-0 according to the HBP setting of HSYNC signal, and the VBP setting of VSYNC. In these two RGB interface modes, the input display data is not written to GRAM and is displayed directly.

Vertical synchronization (VSYNC) signal is used to tell when there a new frame of the display is received , and this is negative ('-', '0', low) active. Horizontal synchronization signal (HSYNC) is used to tell when a new line of the frame is received, and this is negative ('-', '0', low) active. Data enable (DE) is used to tell when RGB information is received that should be transferred on the display, and this is positive ('+', '1', high) active. DB17-0 are used to tell what the information of the image is, that is transferred on the display when DE='H'.

The pixel clock cycle is described in the following figure.

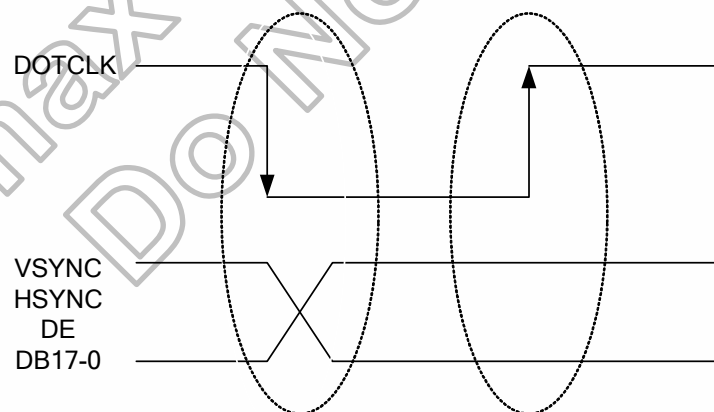


Figure 4.31: DOTCLK cycle

General timing diagram in RGB interface is as follow.

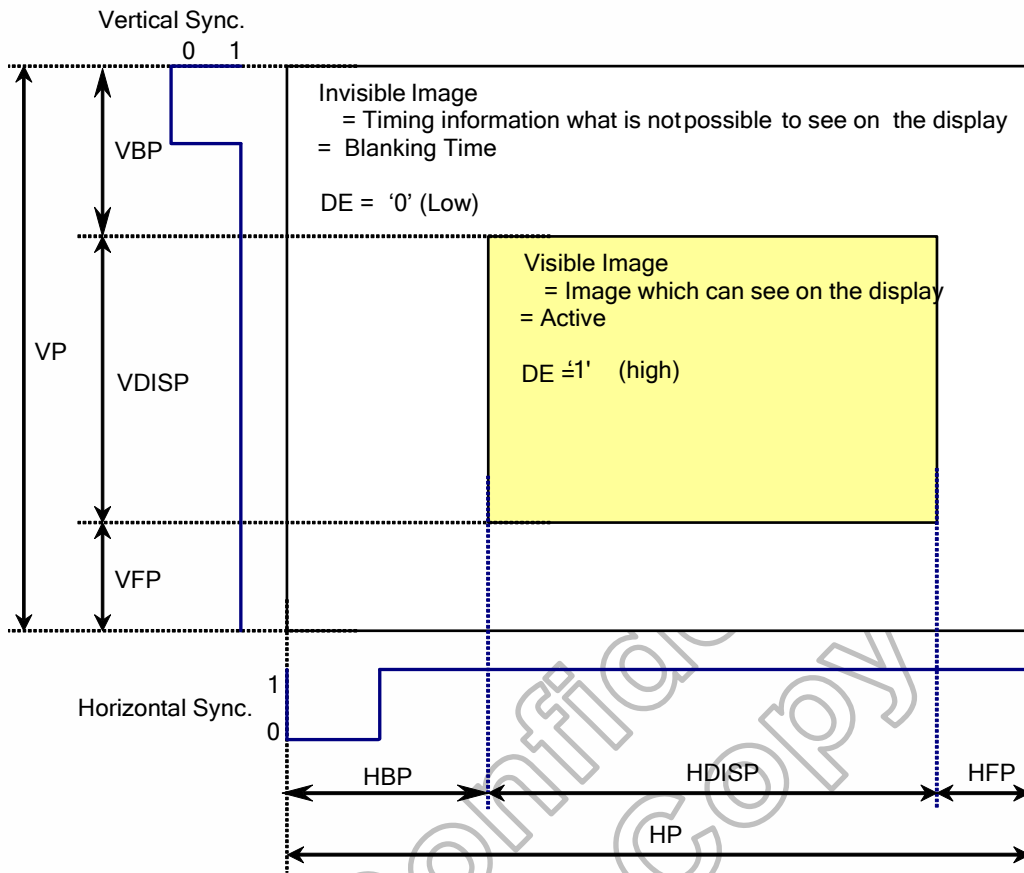
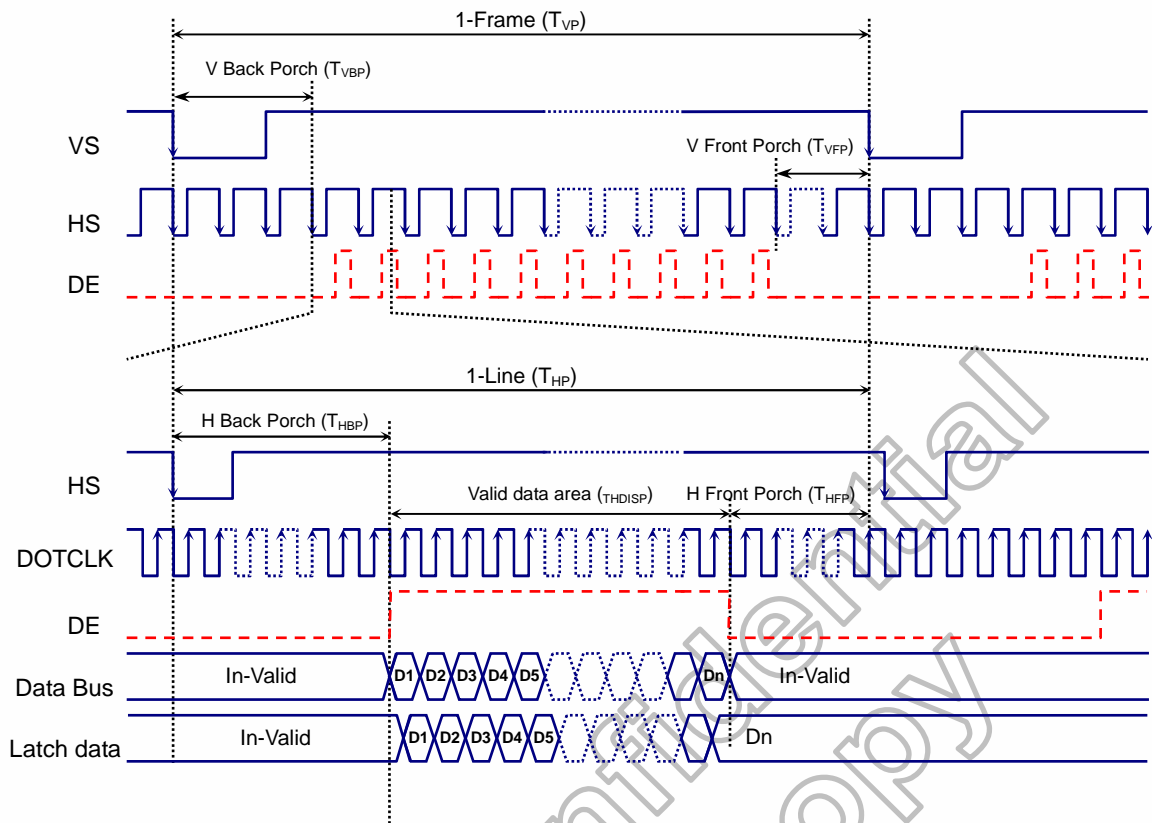


Figure 4.32: RGB interface circuit input timing diagram

The image information is correct on the display when the timings are in range on the interface. However, the image information will be incorrect on the display, when timings are out of the range on the RGB interface and the correct image information will be displayed automatically (by the display module) on the next frame (vertical sync.), when there is returned from out of the range to in range RGB interface timings.



**Note:** (1) RGB mode 2 doesn't need DE signal  
 (2) EPL='0', VSPL='0', HSPL='0' and DPL='0' of SETRGBIF (32H) command.

**Figure 4.33: RGB mode timing diagram**

All 3 kinds of bus width can be available during RGB interface mode (selected by COLMOD (17H) command for 6-bit, 16-bit and 18-bit data width)

17H	D17	D16	D15	D14	D13	D12	D11	D10	D9	D8	D7	D6	D5	D4	D3	D2	D1	D0	Bus width
50h	R4	R3	R2	R1	R0	x	G5	G4	G3	G2	G1	G0	B4	B3	B2	B1	B0	x	16-bit data
60h	R5	R4	R3	R2	R1	R0	G5	G4	G3	G2	G1	G0	B5	B4	B3	B2	B1	B0	18-bit data
17H	D17	D16	D15	D14	D13	D12	D11	D10	D9	D8	D7	D6	D5	D4	D3	D2	D1	D0	Bus width
E0h	x	x	x	x	x	x	x	x	x	x	R5	R4	R3	R2	R1	R0	x	x	6-bit data
	x	x	x	x	x	x	x	x	x	x	G5	G4	G3	G2	G1	G0	x	x	
	x	x	x	x	x	x	x	x	x	x	B5	B4	B3	B2	B1	B0	x	x	

**Note:** (1) When 17H="E0h", 6-bit data width of 3-time transfer is used to transmit 1 pixel data with the 18-bit color depth information.

(2) Only 17H= "50h","60h", "E0h" are valid on RGB I/F, others are invalid.

(3) 'X' don't care, but need to set IOVCC or VSSD level.

**Table 4.20: RGB interface bus width set table**

### RGB interface mode

RGB I/F Mode	DOTCLK	DE	VS	HS	Video Data bus DB [B:0]	Register for Blanking Porch setting
RGB Mode 1	Used	Used	Used	Used	Used	Not Used
RGB Mode 2	Used	Not Used	Used	Used	Used	Used

There are 2 kinds of RGB mode which is selected by RCM1 & RCM0 hardware pins.

**In RGB Mode 1** (RCM1, RCM0 = "10"), writing data to display is done by DOTCLK and Video Data Bus (DB [17:0]), when DE is high state. The external synchronization signals (DOTCLK, VS and HS) are used for internal display signals. So, controller (host) must always transfer DOTCLK, VS, HS and DE signals to driver.

**In RGB Mode 2** (RCM1, RCM0 = "11"), blanking porch setting of VS and HS signals are defined by R33h and R34h command. DE pin is not used.

**4.2.1 Color order on RGB interface**

The meaning of the pixel information, when 3 components/pixel (Red, Green and Blue) on RGB interface are used, is described on the following table:

Pixel Color	R Component	G Component	B Component
<b>Black</b>	All bits are 0	All bits are 0	All bits are 0
<b>Blue</b>	All bits are 0	All bits are 0	All bits are 1
<b>Green</b>	All bits are 0	All bits are 1	All bits are 0
<b>Cyan</b>	All bits are 0	All bits are 1	All bits are 1
<b>Red</b>	All bits are 1	All bits are 0	All bits are 0
<b>Magenta</b>	All bits are 1	All bits are 0	All bits are 1
<b>Yellow</b>	All bits are 1	All bits are 1	All bits are 0
<b>White</b>	All bits are 1	All bits are 1	All bits are 1

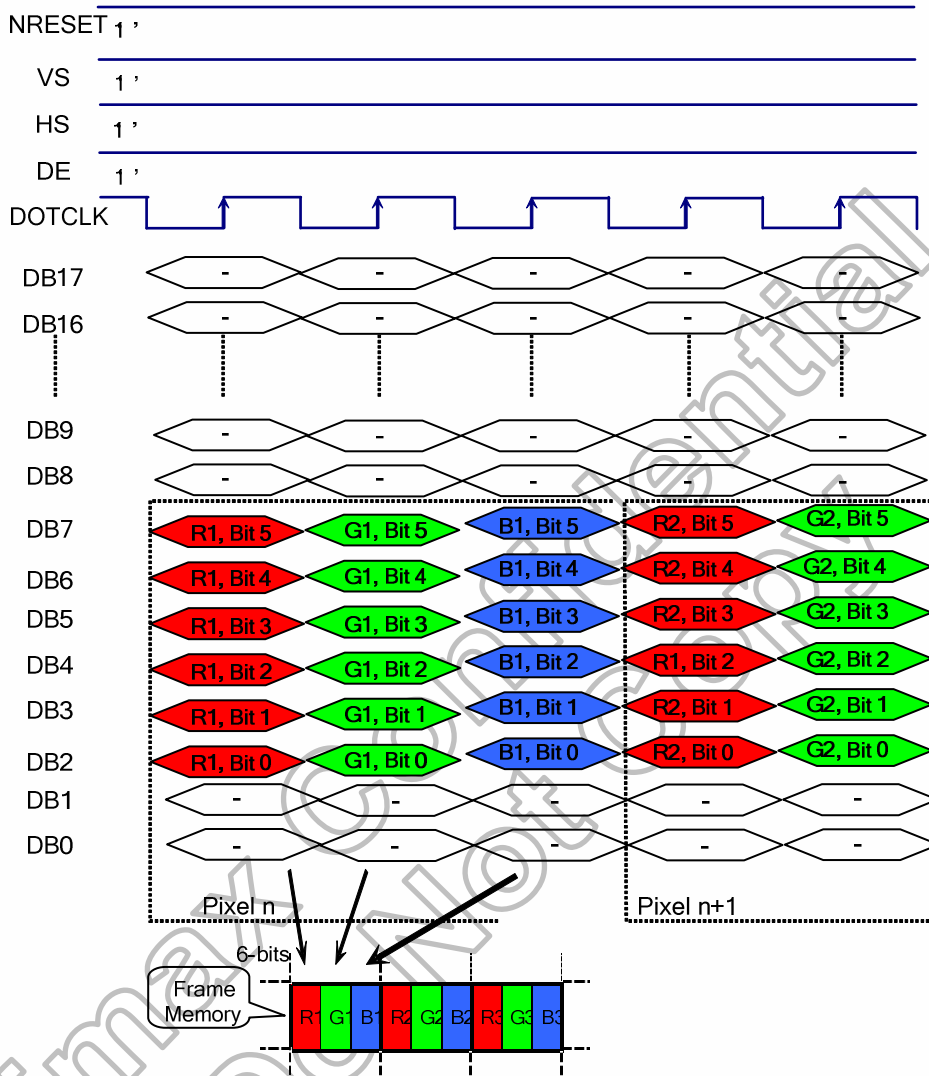
**Note:** There are only defined main colors on this table - Not all gray levels of colors.

**Table 4.21: Meaning of pixel information for main colors on RGB interface**

Himax Confidential  
Do Not Copy

**4.2.2 RGB data color coding**

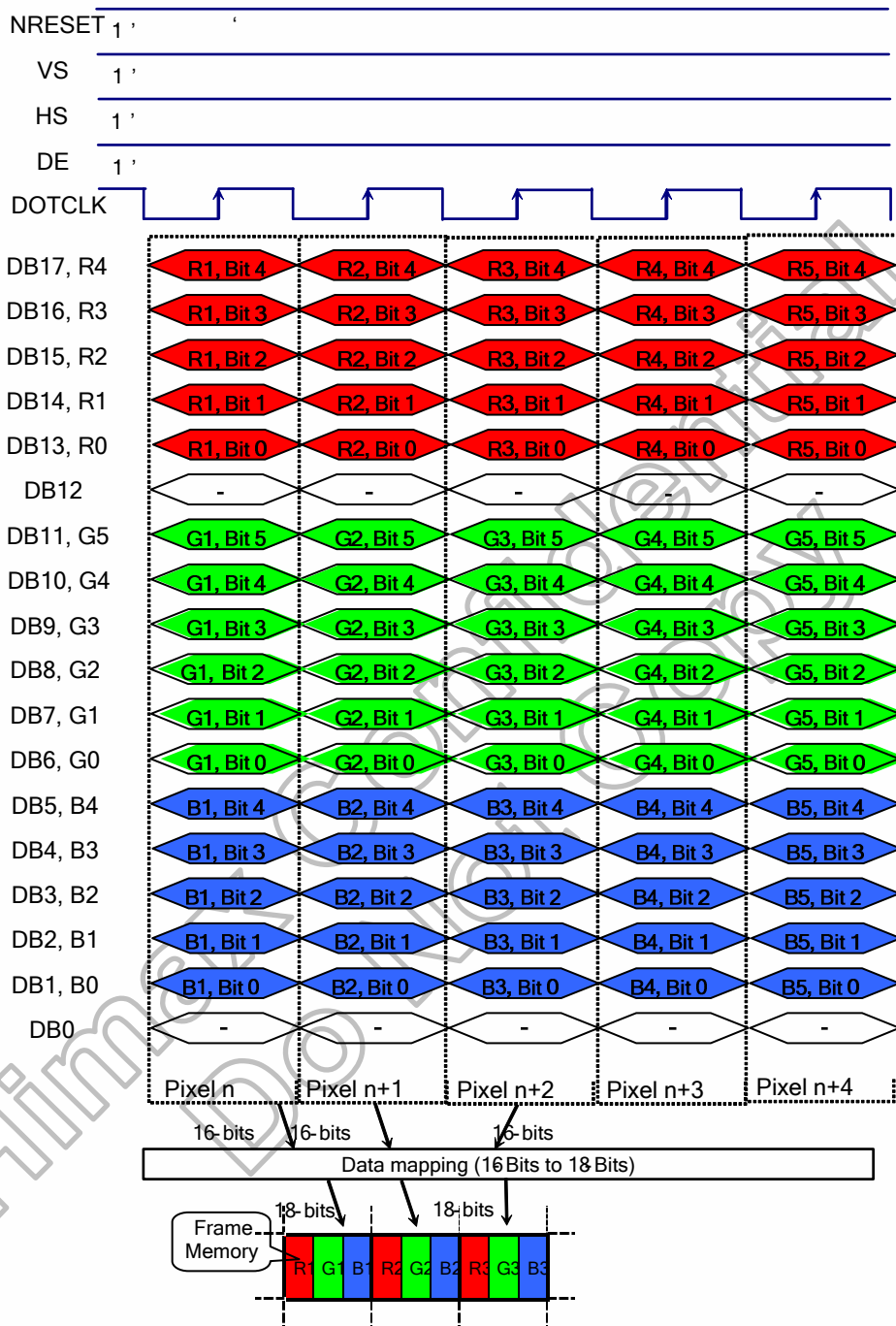
18-bits/pixel Colors Order on 6-bit Data width RGB Interface (RGB 6-6-6-bit input).  
 There is 1 pixel (3 sub-pixels) per 3 bytes, 262K-colors, 17H="E0h"



**Note:** (1) The data order is as follows, MSB=D7, LSB=D0 and picture data is MSB=Bit7, LSB=Bit0 for Red, Green and Blue data. (3-transfer data one pixel)  
 (2) '-' Don't care, but need to set IOVCC or VSSD level.

**Figure 4.34: RGB 18-bit/pixel on 6-bit data width**

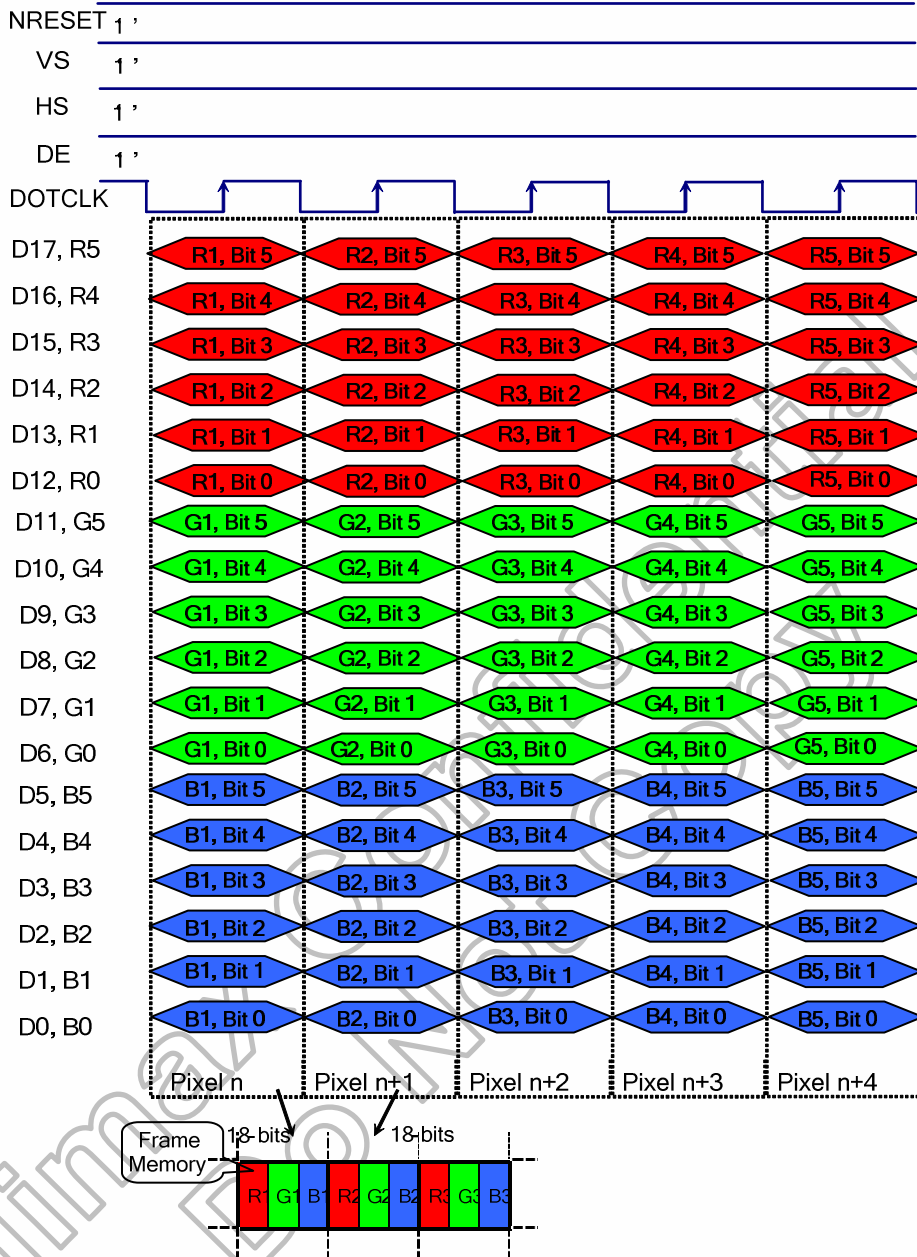
16-bits/pixel Colors Order on the 16-bits Data width RGB Interface (RGB 5-6-5-bits input). There is 1 pixel (3 sub-pixels) per byte, 65K-colors, 17H="50h"



- Note:** (1) The data order is as follows, MSB=D17, LSB=D0 and picture data is MSB=Bit5, LSB=Bit0 for Green data and MSB=Bit4, LSB=Bit0 for Red and Blue data.  
 (2) '-' Don't care, but need to set IOVCC or VSSD level.

**Figure 4.35: RGB 16-bit/pixel on 16-bit data width**

18-bits/pixel Colors Order on the 18-bit Data width RGB Interface (RGB 6-6-6-bit input). There is 1 pixel (3 sub-pixels) per byte, 262K-colors, 17H="60h"



- Note:** (1) The data order is as follows, MSB=D17, LSB=D0 and picture data is MSB=Bit5, LSB=Bit0 for Red, Green and Blue data.  
 (2) '-' Don't care, but need to set IOVCC or VSSD level.

**Figure 4.36: RGB 18-bit/pixel on 18-bit data width**



## 5. Function Description

### 5.1 Display data GRAM mapping

The display data RAM stores display dots and consists of 1,382,400 bits (240x18x320 bits). There is no restriction on access to the RAM even when the display data on the same address is loaded to DAC. There will be no abnormal visible effect on the display when there is a simultaneous Panel Read and Interface Read or Write to the same location of the Frame Memory.

Every pixel (18-bit) data in GRAM is located by a (Page, Column) address (Y, X). By specifying the arbitrary window address **SC**, **EC** bits and **SP**, **EP** bits, it is possible to access the GRAM by setting RAMWR or RAMRD commands from start positions of the window address.

(00,00)H	(00,01)H	(00,02)H	-----	(00,EC)H	(00,ED)H	(00,EE)H	(00,EF)H
(01,00)H	(01,01)H	(01,02)H	-----	(01,EC)H	(01,ED)H	(01,EE)H	(01,EF)H
(02,00)H	(02,01)H	(02,02)H	-----	(02,EC)H	(02,ED)H	(02,EE)H	(02,EF)H
(03,00)H	(03,01)H	(03,02)H	-----	(03,EC)H	(03,ED)H	(03,EE)H	(03,EF)H
(04,00)H	(04,01)H	(04,02)H	-----	(04,EC)H	(04,ED)H	(04,EE)H	(04,EF)H
(05,00)H	(05,01)H	(05,02)H	-----	(05,EC)H	(05,ED)H	(05,EE)H	(05,EF)H
⋮	⋮	⋮	⋮	⋮	⋮	⋮	⋮
(13A,00)H	(13A,01)H	(13A,02)H	-----	(13A,EC)H	(13A,ED)H	(13A,EE)H	(13A,EF)H
(13B,00)H	(13B,01)H	(13B,02)H	-----	(13B,EC)H	(13B,ED)H	(13B,EE)H	(13B,EF)H
(13C,00)H	(13C,01)H	(13C,02)H	-----	(13C,EC)H	(13C,ED)H	(13C,EE)H	(13C,EF)H
(13D,00)H	(13D,01)H	(13D,02)H	-----	(13D,EC)H	(13DED)H	(13D17E)H	(13D,EF)H
(13E,00)H	(13E,01)H	(13E,02)H	-----	(13E,EC)H	(13E,ED)H	(13E,EE)H	(13E,EF)H
(13F,00)H	(13F,01)H	(13F,02)H	-----	(13F,EC)H	(13F,ED)H	(13F,EE)H	(13F,EF)H

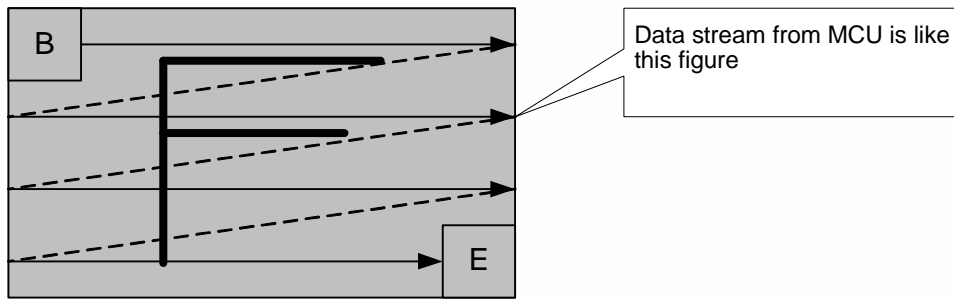
Table 5.1: GRAM address for display panel position

### 5.2 Address Counter (AC) of GRAM

The HX8347-G contains an address counter (AC) which assigns address for writing/reading pixel data to/from GRAM. The address pointers set the position of GRAM. Every time when a pixel data is written into the GRAM, the X address or Y address of AC will be automatically increased by 1 (or decreased by 1), which is decided by the register (**MV**, **MX** and **MY** bits) setting.

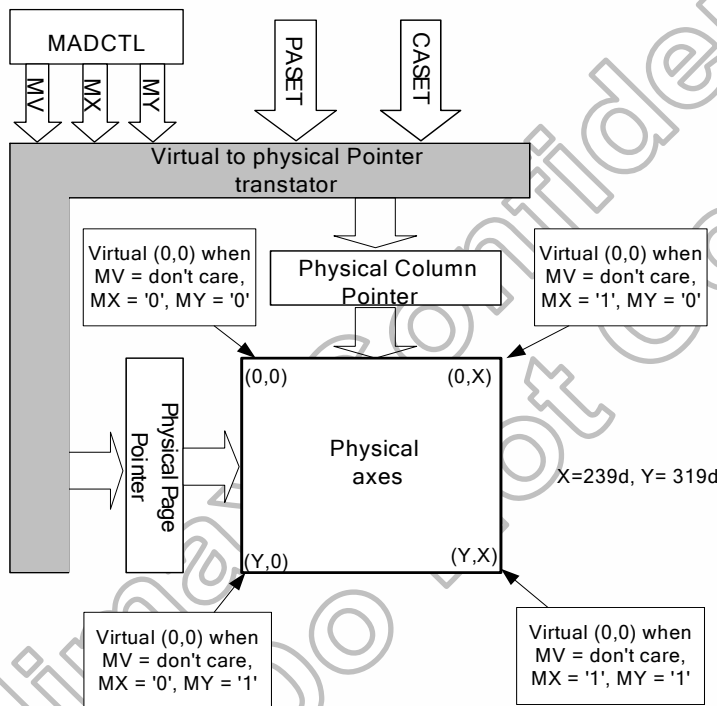
To simplify the address control of GRAM access, the window address function allows for writing data only to a window area of GRAM specified by registers. After data being written to the GRAM, the AC will be increased or decreased within setting window address-range which is specified by the (start: **SC**, end: **EC**) and the (start: **SP**, end: **EP**). Therefore, the data can be written consecutively without thinking a data wrap by those bit function.

**5.2.1 System interface to GRAM write direction**



**Figure 5.1: Image data sending order from host**

The data is written in the order illustrated above. The counter which dictates where in the physical memory the data is to be written is controlled by **MV**, **MX** and **MY** bits setting



**Figure 5.2: Image data writing control**

MV	MX	MY	CASET	PASET
0	0	0	Direct to Physical Column Pointer	Direct to Physical Page Pointer
0	0	1	Direct to Physical Column Pointer	Direct to (Y - Physical Page Pointer)
0	1	0	Direct to (X-Physical Column Pointer)	Direct to Physical Page Pointer
0	1	1	Direct to (X - Physical Column Pointer)	Direct to (Y - Physical Page Pointer)
1	0	0	Direct to Physical Page Pointer	Direct to Physical Column Pointer
1	0	1	Direct to (Y - Physical Page Pointer)	Direct to Physical Column Pointer
1	1	0	Direct to Physical Page Pointer	Direct to (X-Physical Column Pointer)
1	1	1	Direct to (Y - Physical Page Pointer)	Direct to (X - Physical Column Pointer)

**Table 5.2: CASET and PASET control for physical column/page pointers**

For each image orientation, the controls for the column and page counters apply as below:

Condition	Column Counter	Page Counter
When RAMWR/RAMRD command is accepted.	Return to "Start Column"	Return to "Start Page"
Complete Pixel Pair Write/Read action	Increment by 1	No change
The Column counter value is larger than "End column."	Return to "Start Column"	Increment by 1
The Page counter value is larger than "End page".	Return to "Start Column"	Return to "Start Page"

**Note:** Data is always written to the Frame Memory in the same order, regardless of the Memory Write Direction set by MX, MY, MV.

**Table 5.3: Rules for updating GRAM rorder**

Himax Confidential  
Do Not Copy

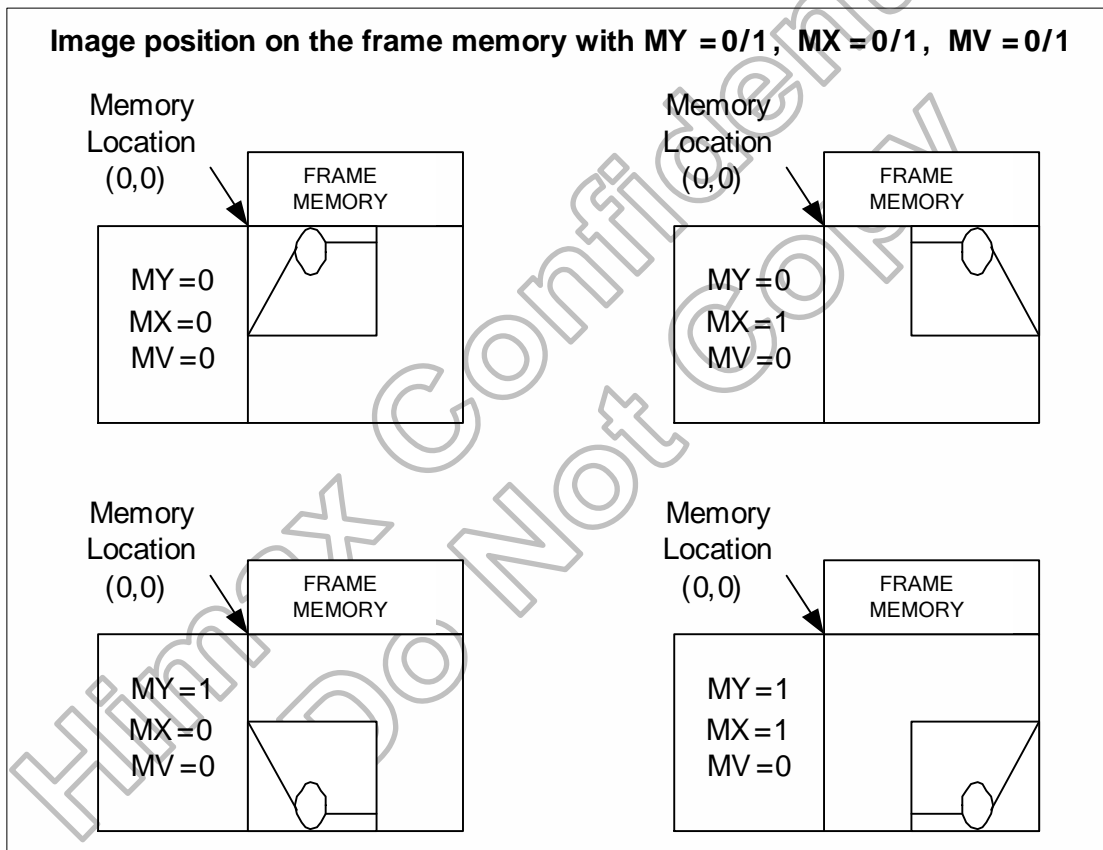
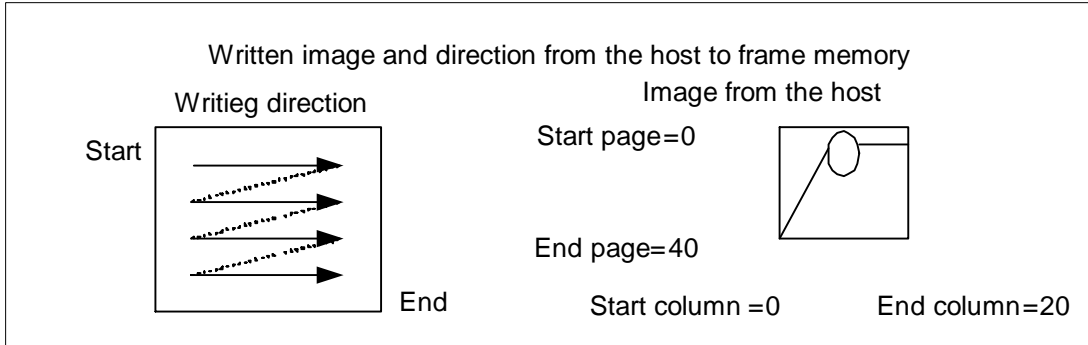
The following figure depicts the GRAM address update method with MV, MX and MY bit setting.

Display Data Direction	MV	MX	MY	Image in the Host	Image in the Driver (GRAM)
Normal	0	0	0		
Y-Invert	0	0	1		
X-Invert	0	1	0		
X-Invert Y-Invert	0	1	1		
X-Y Exchange	1	0	0		
X-Y Exchange X-invert	1	0	1		
X-Y Exchange Y-invert	1	1	0		
X-Y Exchange X-invert Y-invert	1	1	1		

Table 5.4: Address direction settings

**Example for rotation with MY, MX and MV**

This example is using following values: start page = 0, end page = 40, start column = 0 and end column = 20 => commands: page address set (0, 40) and column address set (0, 20). The sent figure is as follows and its sending order is as follows.



**Figure 5.3: Example for rotation with MY, MX and MV - 1**

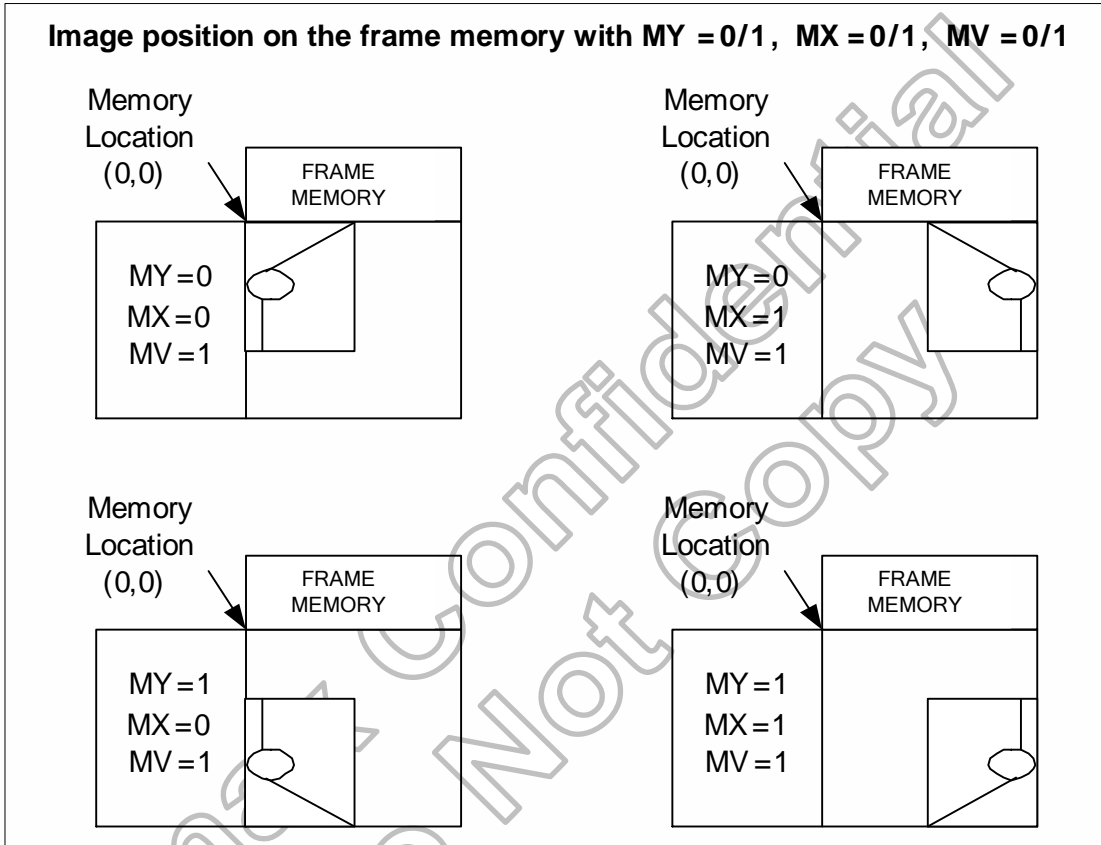
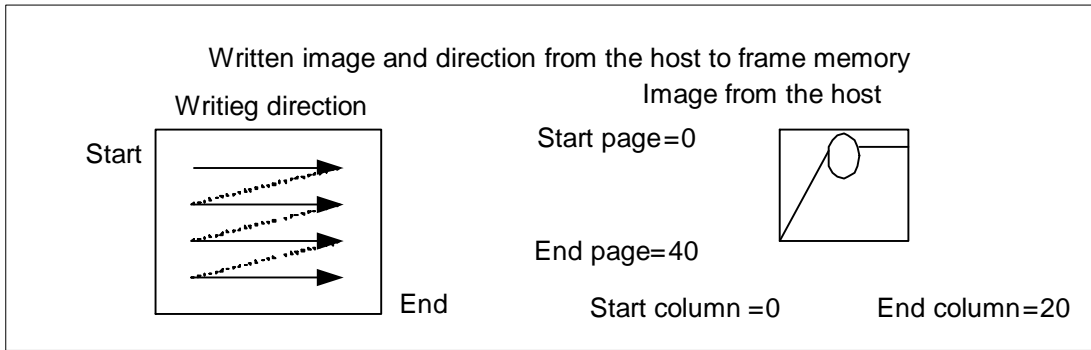


Figure 5.4: Example for rotation with MY, MX and MV - 2

### 5.3 GRAM to display address mapping

By setting the **SS\_Panel**, the relation between the source output channel and the GRAM address can be changed as reverse display. By setting the **GS\_Panel**, the relation between the gate output channel and the GRAM address can be changed as reverse display. By setting the **BGR\_Panel**, the relation between the source output channel and the <R>, <G>, <B> dot allocation can be reversed for different LCD color filter arrangement. Table 5.5, Table 5.6 and Table 5.7 show relations among the GRAM data allocation, the source output channel, and the R, G, B dot allocation.

BGR_Panel = '0'														
Source	SS_Panel = '1'	S1	S2	S3	S4	S5	S6	-----	S715	S716	S717	S718	S719	S720
Output	SS_Panel = '0'	S718	S719	S720	S715	S716	S717	-----	S4	S5	S6	S1	S2	S3
X Address		"00"h			"01"h			-----	"EE"h			"EF"h		
RGB data		R	G	B	R	G	B	-----	R	G	B	R	G	B
Pixel		Pixel 1			Pixel 2			-----	Pixel 239			Pixel 240		

BGR_Panel = '1'														
Source	SS_Panel = '1'	S3	S2	S1	S6	S5	S4	-----	S717	S716	S715	S720	S719	S718
Output	SS_Panel = '0'	S720	S719	S718	S717	S716	S715	-----	S6	S5	S4	S3	S2	S1
X Address		"00"h			"01"h			-----	"EE"h			"EF"h		
Bit Allocation		R	G	B	R	G	B	-----	R	G	B	R	G	B
Pixel		Pixel 1			Pixel 2			-----	Pixel 239			Pixel 240		

Table 5.5: GRAM X address and display panel position

S/G pins	S1	S2	S3	S4	S5	S6	S7	S8	S9	-----	S709	S710	S711	S712	S713	S714	S715	S716	S717	S718	S719	S720
G1	0000h			0001h			0002h			-----	00ECh	00EDh	00EEh	00EFh								
G2	0100h			0101h			0102h			-----	01ECh	01EDh	01EEh	01EFh								
G3	0200h			0201h			0202h			-----	02ECh	02EDh	02EEh	02EFh								
G4	0300h			0301h			0302h			-----	03ECh	03EDh	03EEh	03EFh								
G5	0400h			0401h			0402h			-----	04ECh	04EDh	04EEh	04EFh								
G6	0500h			0501h			0502h			-----	05ECh	05EDh	05EEh	05EFh								
G7	0600h			0601h			0602h			-----	06ECh	06EDh	06EEh	06EFh								
G8	0700h			0701h			0702h			-----	07ECh	07EDh	07EEh	07EFh								
G9	0800h			0801h			0802h			-----	08ECh	08EDh	08EEh	08EFh								
-----	-----	-----	-----	-----	-----	-----	-----	-----	-----	-----	-----	-----	-----	-----	-----	-----	-----	-----	-----	-----	-----	-----
G311	13600h			13601h			13602h			-----	136ECh	136EDh	136EEh	136EFh								
G312	13700h			13701h			13702h			-----	137ECh	137EDh	137EEh	137EFh								
G313	13800h			13801h			13802h			-----	138ECh	138EDh	138EEh	138EFh								
G314	13900h			13901h			13902h			-----	139ECh	139EDh	139EEh	139EFh								
G315	13A00h			13A01h			13A02h			-----	13AECh	13AEDh	13AEEh	13AEFh								
G316	13B00h			13B01h			13B02h			-----	13BECh	13BEDh	13BEEh	13BEFh								
G317	13C00h			13C01h			13C02h			-----	13CECh	13CEDh	13CEEh	13CEFh								
G318	13D00h			13D01h			13D02h			-----	13DECh	13DEDh	13DEEh	13DEFh								
G319	13E00h			13E01h			13E02h			-----	13EECh	13EEDh	13EEEh	13EEFh								
G320	13F00h			13F01h			13F02h			-----	13FECh	13FEDh	13FEEh	13FEFh								

Table 5.6: GRAM address and display panel position (GS\_Panel = '0')

S/G pins	S1	S2	S3	S4	S5	S6	S7	S8	S9	-----	S709	S710	S711	S712	S713	S714	S715	S716	S717	S718	S719	S720
G320	0000h			0001h			0002h			-----	00ECh	00EDh	00EEh	00EFh								
G319	0100h			0101h			0102h			-----	01ECh	01EDh	01EEh	01EFh								
G318	0200h			0201h			0202h			-----	02ECh	02EDh	02EEh	02EFh								
G317	0300h			0301h			0302h			-----	03ECh	03EDh	03EEh	03EFh								
G316	0400h			0401h			0402h			-----	04ECh	04EDh	04EEh	04EFh								
G315	0500h			0501h			0502h			-----	05ECh	05EDh	05EEh	05EFh								
G314	0600h			0601h			0602h			-----	06ECh	06EDh	06EEh	06EFh								
G313	0700h			0701h			0702h			-----	07ECh	07EDh	07EEh	07EFh								
G312	0800h			0801h			0802h			-----	08ECh	08EDh	08EEh	08EFh								
-----	-----	-----	-----	-----	-----	-----	-----	-----	-----	-----	-----	-----	-----	-----	-----	-----	-----	-----	-----	-----	-----	-----
G10	13600h			13601h			13602h			-----	136ECh	136EDh	136EEh	136EFh								
G9	13700h			13701h			13702h			-----	137ECh	137EDh	137EEh	137EFh								
G8	13800h			13801h			13802h			-----	138ECh	138EDh	138EEh	138EFh								
G7	13900h			13901h			13902h			-----	139ECh	139EDh	139EEh	139EFh								
G6	13A00h			13A01h			13A02h			-----	13AECh	13AEDh	13AEEh	13AEFh								
G5	13B00h			13B01h			13B02h			-----	13BECh	13BEDh	13BEEh	13BEFh								
G4	13C00h			13C01h			13C02h			-----	13CECh	13CEDh	13CEEh	13CEFh								
G3	13D00h			13D01h			13D02h			-----	13DECh	13DEDh	13DEEh	13DEFh								
G2	13E00h			13E01h			13E02h			-----	13EECh	13EEDh	13EEEh	13EEFh								
G1	13F00h			13F01h			13F02h			-----	13FECh	13FEDh	13FEEh	13FEFh								

Table 5.7: GRAM address and display panel position (GS\_Panel = '0')

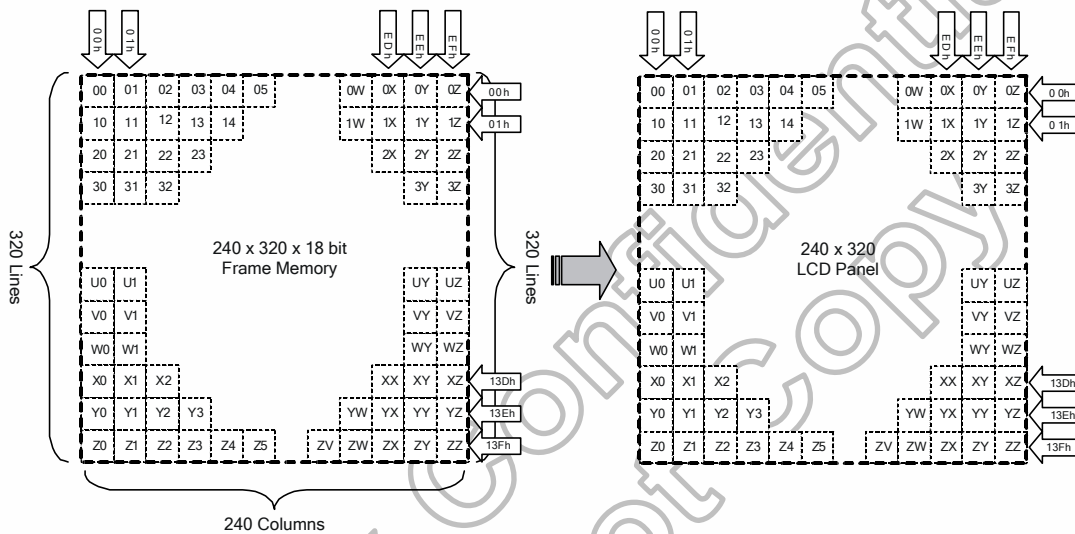


HX8347-G supports three kinds of display mode: one is Normal Display Mode, one is the other is Partial Display Mode, and Scrolling Display Mode.

When the **PLTON** = '0' is set, HX8347-G will be into Normal Display Mode. When the **PLTON** = '1' is set, HX8347-G will be into Partial Display Mode. When the **SCROLL\_ON** = '1' is set, HX8347-G will be into Scrolling Display Mode.

### 5.3.1 Normal display on or partial mode on, vertical scroll off

In this mode, content of the frame memory within an area where column pointer is 0000h to 00EFh and page pointer is 0000h to 013Fh is displayed. To display a dot on leftmost top corner, store the dot data at (column pointer, page pointer) = (0,0) (SS\_Panel = '0', GS\_Panel = '0').



Example:

- (1) **PLTON** = '1',
- (2) **PSL** [15:0] = 11<sub>DEC</sub>, **PEL** [15:0] = 130<sub>DEC</sub>, **MADCTL**'s B4(ML)='0' (**GS\_Panel** = '0').

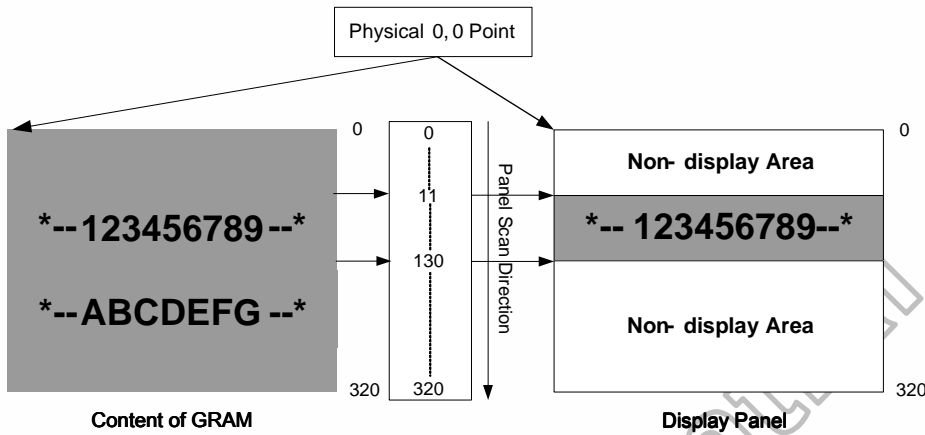


Figure 5.5: Partial Display Area Setting (ML='0')

Example:

- (1) **PLTON** = '1',
- (2) **PSL** [15:0] = 11<sub>DEC</sub>, **PEL** [15:0] = 130<sub>DEC</sub>, **MADCTL**'s B4(ML)='1' (**GS\_Panel** = '0').

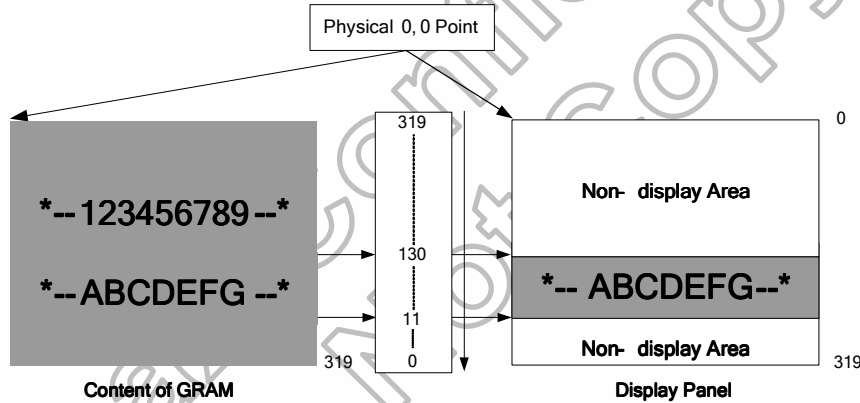


Figure 5.6: Partial Display Area Setting (ML='1')

The refresh gate scan cycle in the rest display area of the screen (non-display area) can be specified by **ISC[3:0]** bits. The scan cycle is set to an odd number from 0~13. The polarity is inverted every scan cycle.

ISC3	ISC2	ISC1	ISC0	Scan Cycle	f <sub>FLM</sub> = 60Hz
0	0	0	0	1 frame	17ms
0	0	0	1	5 frames	84ms
0	0	1	0	9 frames	150ms
:	:	:	:	:	
1	1	0	1	53 frames	880ms
1	1	1	0	57 frames	946ms
1	1	1	1	Setting Inhibited	-

Table 5.8: ISC [3:0] Bits Definition

The rest display area (non-display area) will be the white display if the type of LCD is normally white (**REV\_panel** = "0") and will be the black display if the type of LCD is normally black (**REV\_panel** = "1") in refresh gate scan cycle.

### 5.3.2 Vertical scroll display mode

When **SCROLL\_ON** bit is set to '1', the scrolling display mode is active, and the vertical scrolling display is specified by **TFA**, **VSA**, **BFA** bits (R0Eh ~R13h) and **VSP** bits (R14~R15h).

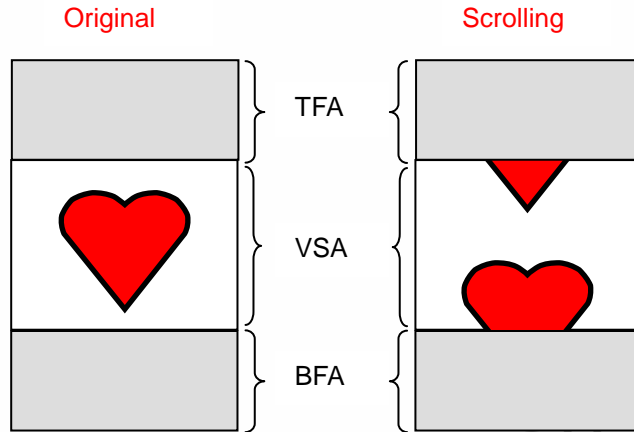


Figure 5.7: Vertical scrolling

When Vertical Scrolling Definition Parameters (TFA+VSA+BFA) = 320. In this case, scrolling is applied as shown below.

Example (1) TFA='2d', VSA='318d', BFA='0d', VSP='3d' (SS\_Panel = '0', GS\_Panel = '0')

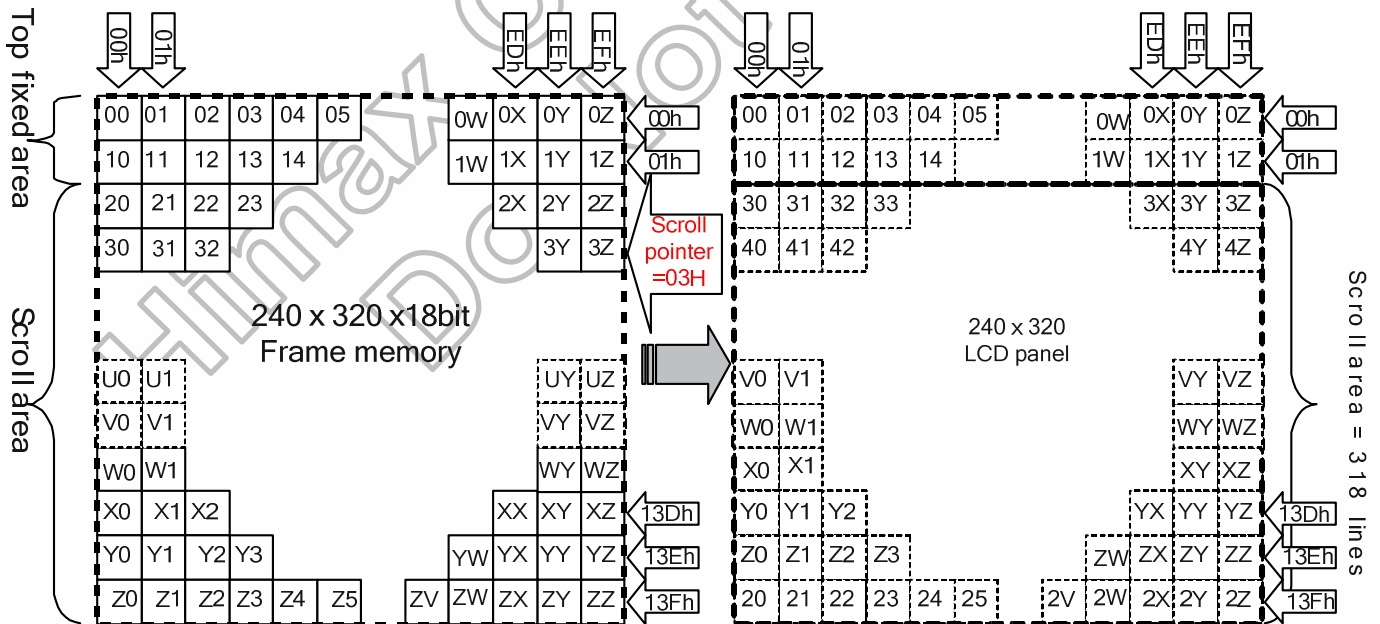


Figure 5.8: Memory map of vertical scrolling 1

Example (2) TFA='2d', VSA='316d', BFA='2d', VSP='3d' (SS\_Panel ='0', GS\_Panel ='0')

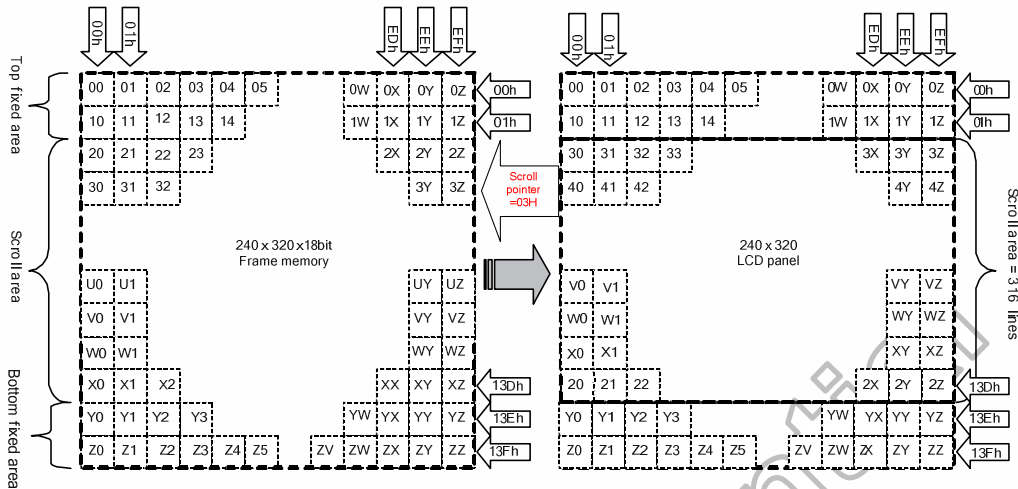


Figure 5.9: Memory map of vertical scrolling 2

Example (3) TFA='2d', VSA='316d', BFA='2d', VSP='5d' (SS\_Panel ='0', GS\_Panel ='0').

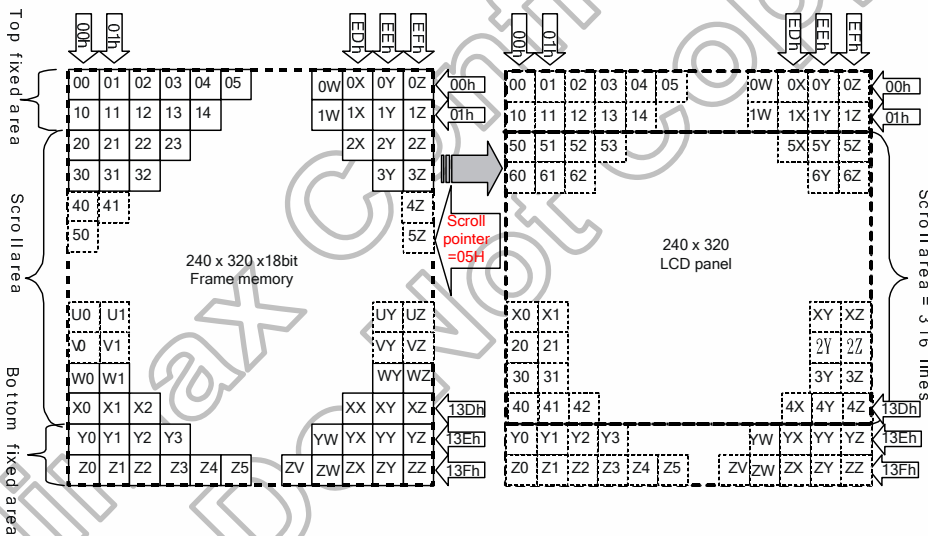


Figure 5.10: Memory map of vertical scrolling 3

**Vertical scroll example**

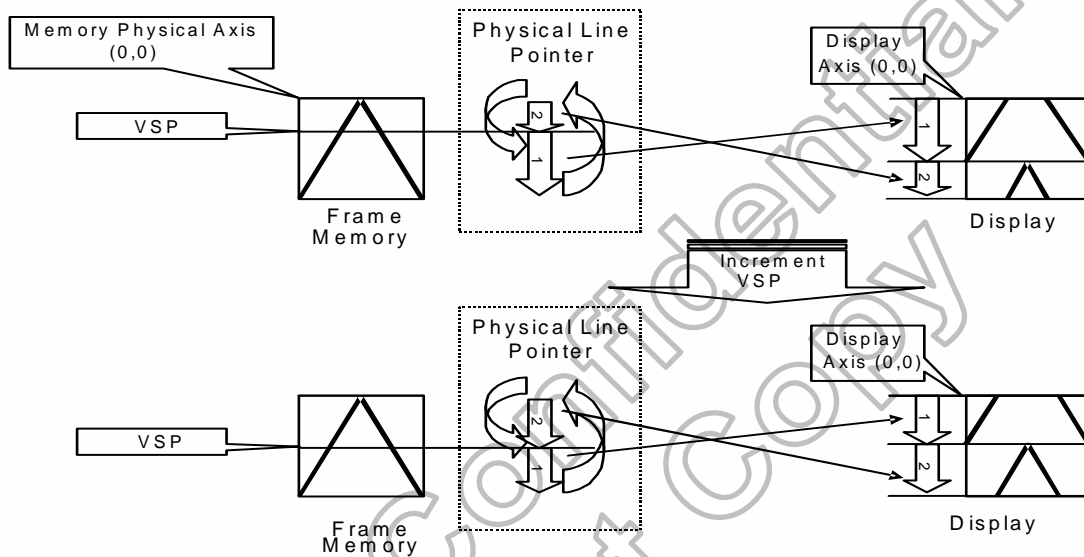
There are 2 types of vertical scrolling, which are determined by the **TFA**, **VSA**, **BFA** bits (R0Eh ~R13h) and **VSP** bits (R14~R15h).

Case 1: TFA + VSA + BFA ≠ '320d'

N/A. Do not set TFA + VSA + BFA ≠ '320d'. In that case, unexpected picture will be shown.

Case 2: TFA + VSA + BFA = '320d' (Scrolling)

Example (1) When TFA='0d', VSA='320d', BFA='0d' and VSP='40d' (SS\_Panel = '0', GS\_Panel = '0')



**Figure 5.11: Vertical scrolling example**



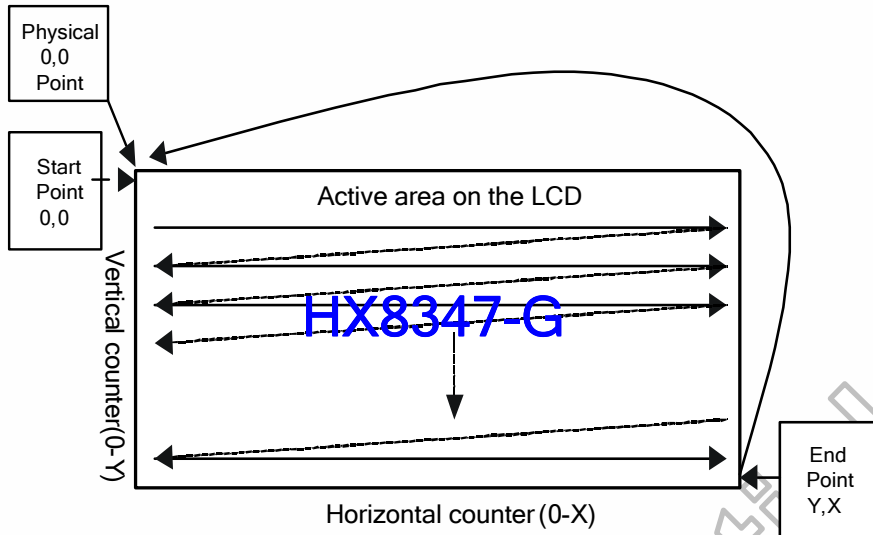


Figure 5.13: Updating order when MY = '0' and MX = '0'

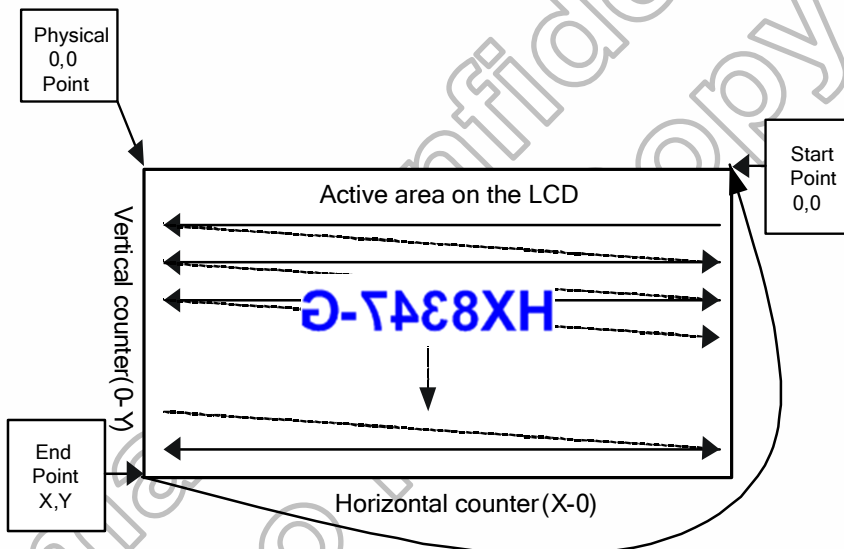


Figure 5.14: Updating order when MY = '0' and MX = '1'

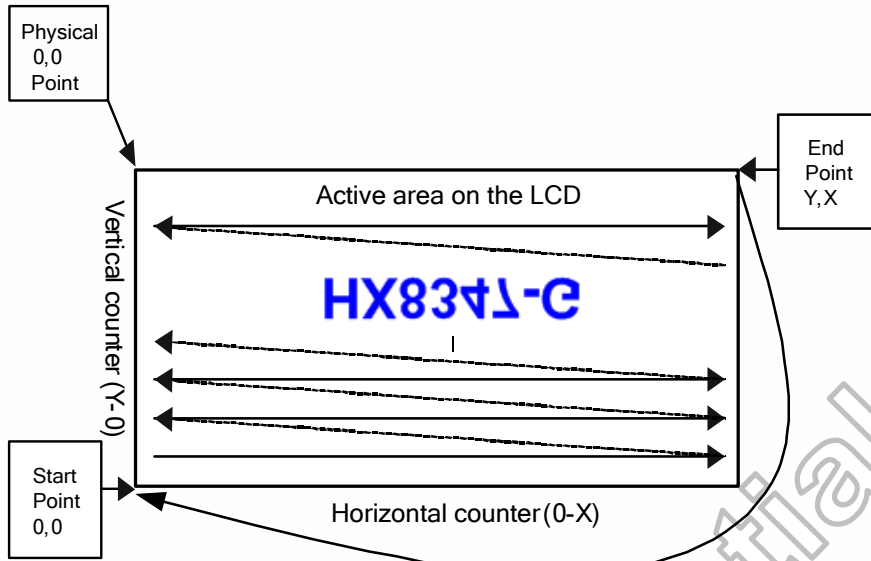


Figure 5.15: Updating order when MY = '1' and MX = '0'

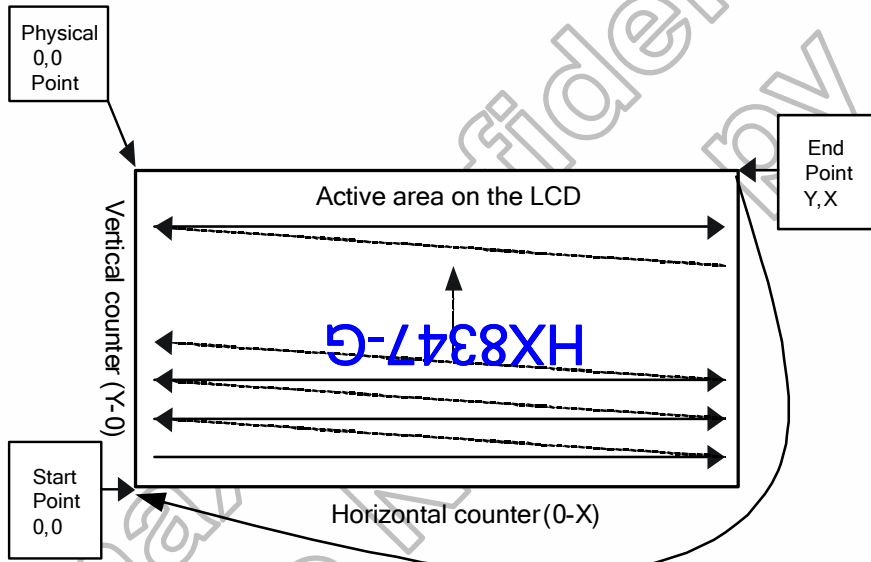


Figure 5.16: Updating order when MY = '1' and MX = '1'

Condition	Horizontal Counter	Vertical Counter
An active VS signal is received	Return to 0	Return to 0
Single Pixel information of the active area is received	Increment by 1	No change
An active HS signal between two active area lines	Return to 0	Increment by 1
The Horizontal counter value is larger than X and the Vertical counter value is larger than Y	Return to "Start Column"	Return to "Start Page"

Note: Pixel order is RGB on the display.

Table 5.9: Rules for updating order on display active area in RGB interface display mode



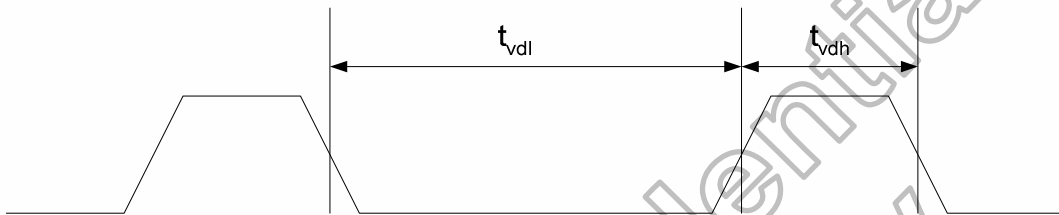
### 5.4 Tearing effect output line

The Tearing Effect output line supplies to the MPU a Panel synchronization signal. This signal can be enabled or disabled by the Tearing Effect Line Off & On commands. The mode of the Tearing Effect signal is defined by the parameter of the Tearing Effect Line On command. The signal can be used by the MPU to synchronize Frame Memory Writing when displaying video images.

Tearing effect function is not supported for RGB interface (RCM[1:0]="1x").

#### 5.4.1 Tearing effect line modes

**Mode 1**, The Tearing Effect Output signal consists of V-Blanking Information only:



$t_{vdh}$  = The LCD display is not updated from the Frame Memory

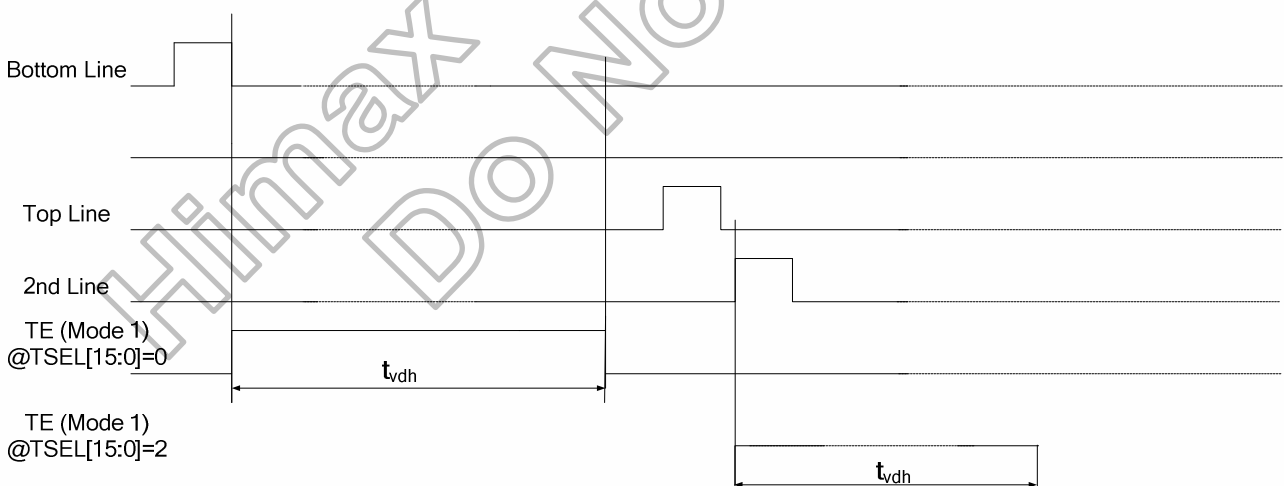
$t_{vdl}$  = The LCD display is updated from the Frame Memory (except Invisible Line – see below)

**Figure 5.17: TE mode 1 output**

Under Mode1, the TE output timing will be defined by TSEL[15:0] setting.

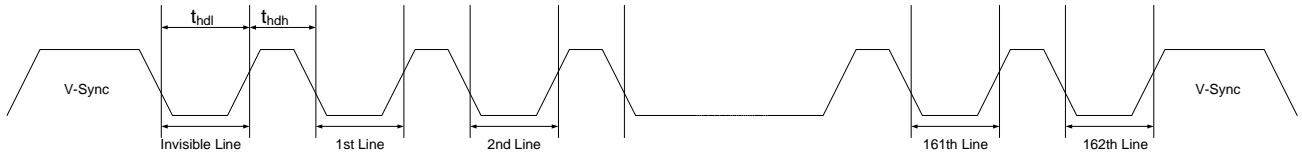
Ex:

1. TSEL[15:0]=0, then TE signal will output after last Line finished.
2. TSEL[15:0]=2, then TE signal will output at second Line start.



**Figure 5.18: TE delay output**

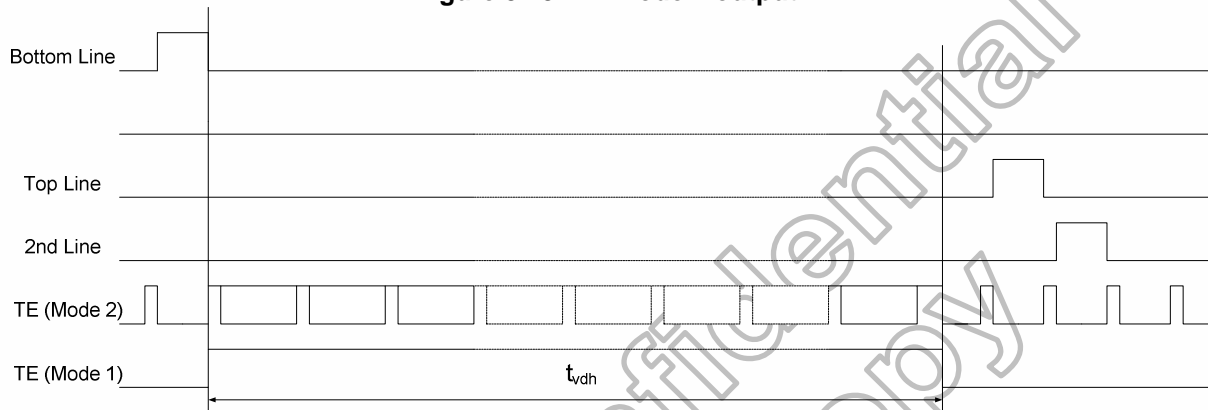
**Mode 2**, The Tearing Effect Output signal consists of V-Blanking and H-Blanking Information, there is one V-sync and 320 H-sync pulses per field.



$t_{hdh}$ = The LCD display is not updated from the Frame Memory

$t_{hdi}$ = The LCD display is updated from the Frame Memory (except Invisible Line – see above)

**Figure 5.19: TE mode 2 output**

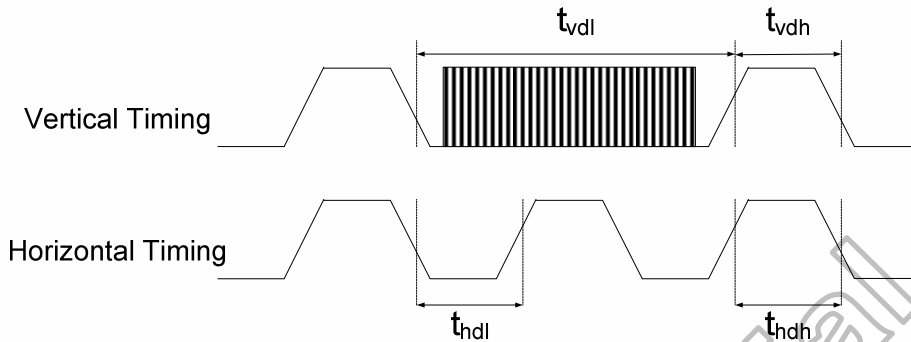


**Note:** During Sleep in Mode, the Tearing Output Pin is active Low.

**Figure 5.20: TE output waveform**

### 5.4.2 Tearing effect line timing

The Tearing Effect signal is described below.



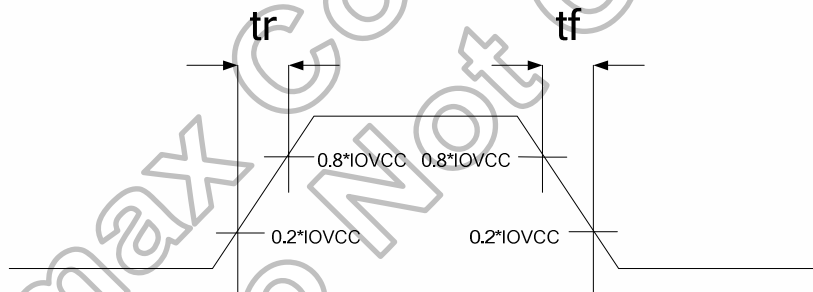
**Figure 5.21: Waveform of tearing effect signal**

Idle Mode Off (Frame Rate = 60 Hz)

Symbol	Parameter	Spec.			Description
		Min.	Max.	Unit	
t <sub>vdl</sub>	Vertical Timing Low Duration	TBD	-	ms	-
t <sub>vdh</sub>	Vertical Timing High Duration	1000	-	μs	-
t <sub>hdl</sub>	Horizontal Timing Low Duration	TBD	-	μs	-
t <sub>hdh</sub>	Horizontal Timing High Duration	TBD	500	μs	-

**Note:** The signal's rise and fall times (t<sub>f</sub>, t<sub>r</sub>) are stipulated to be equal to or less than 15ns.

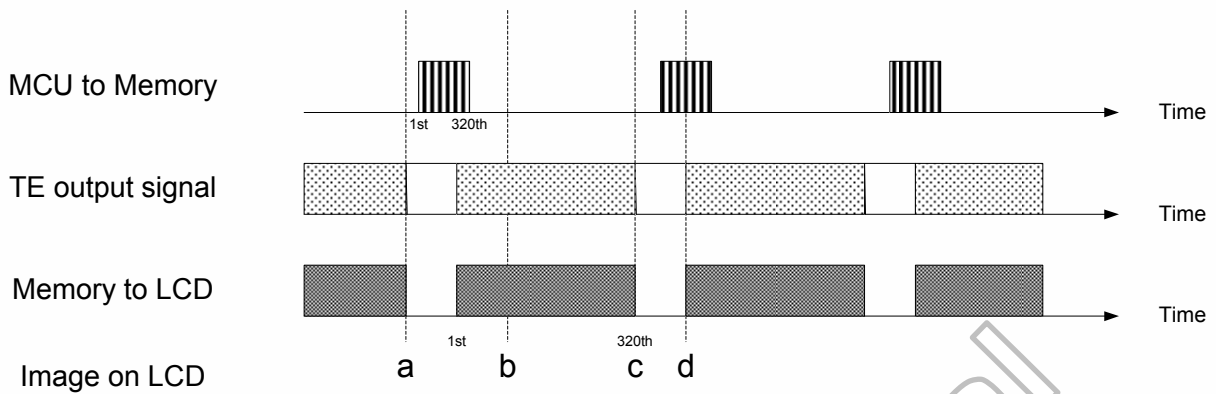
**Table 5.10: AC characteristics of tearing effect signal**



**Figure 5.22: Timing of tearing effect signal**

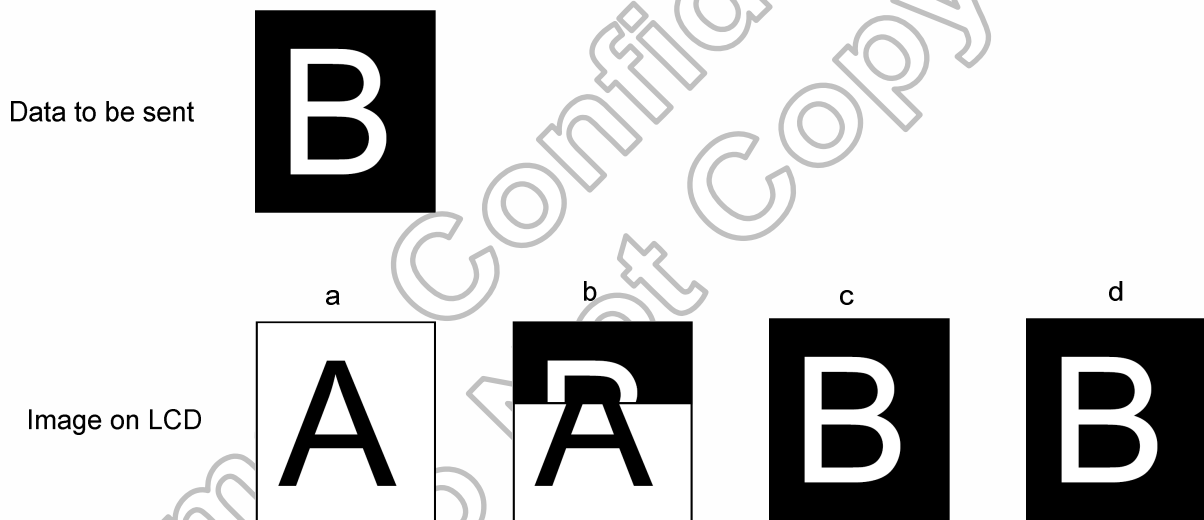
The Tearing Effect Output Line is fed back to the MPU and should be used as shown below to avoid Tearing Effect:

**5.4.3 Example 1: MPU write is faster than panel read**



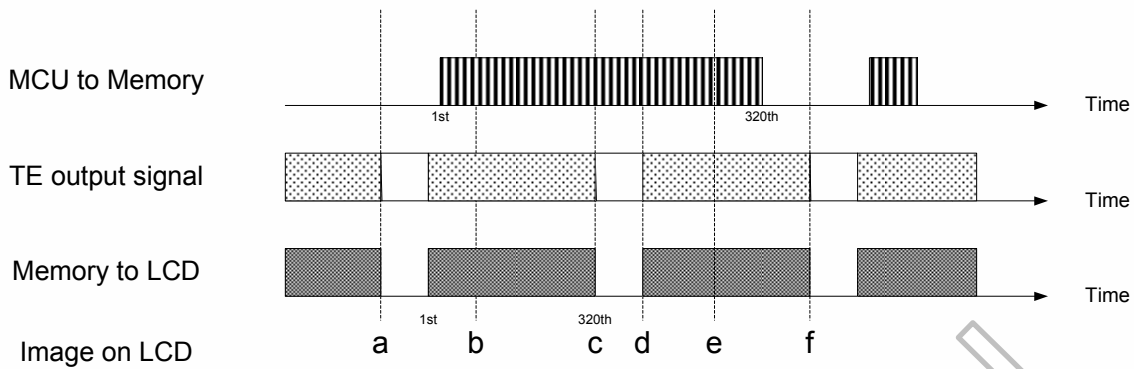
**Figure 5.23: Timing of MPU write is faster than panel read**

Data write to Frame Memory is now synchronized to the Panel Scan. It should be written during the vertical sync pulse of the Tearing Effect Output Line. This ensures that data is always written ahead of the panel scan and each Panel Frame refresh has a complete new image.



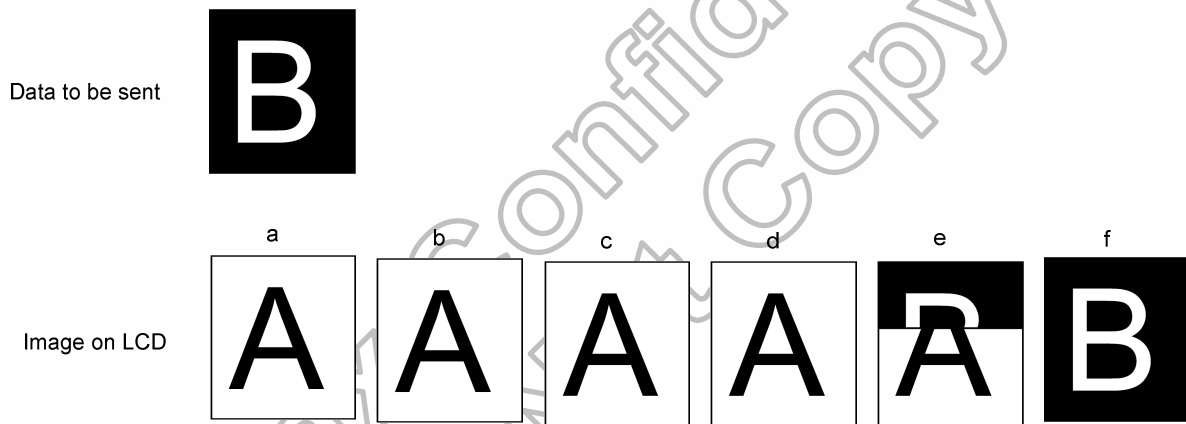
**Figure 5.24: Display of MPU write is faster than panel read**

**5.4.4 Example 2: MPU write is slower than panel read**



**Figure 5.25: Timing of MPU write is slower than panel read**

The MPU to Frame Memory write begins just after Panel Read has commenced i.e. after one horizontal sync pulse of the Tearing Effect Output Line. This allows time for the image to download behind the Panel Read pointer and finishing download during the subsequent Frame before the Read Pointer “catches” the MPU to Frame memory write position.



**Figure 5.26: Display of MPU write is slower than panel read**

### 5.5 Oscillator

The HX8347-G can oscillate an internal R-C oscillator for internal operation. Because the tolerance of internal oscillator frequency is  $\pm 5\%$ , **RADJ [3:0]** bits for initial **2.75MHz** internal clock generation. With other dividers setting, the **2.75MHz** internal clock can be used to generate clock for other part of the chip using.

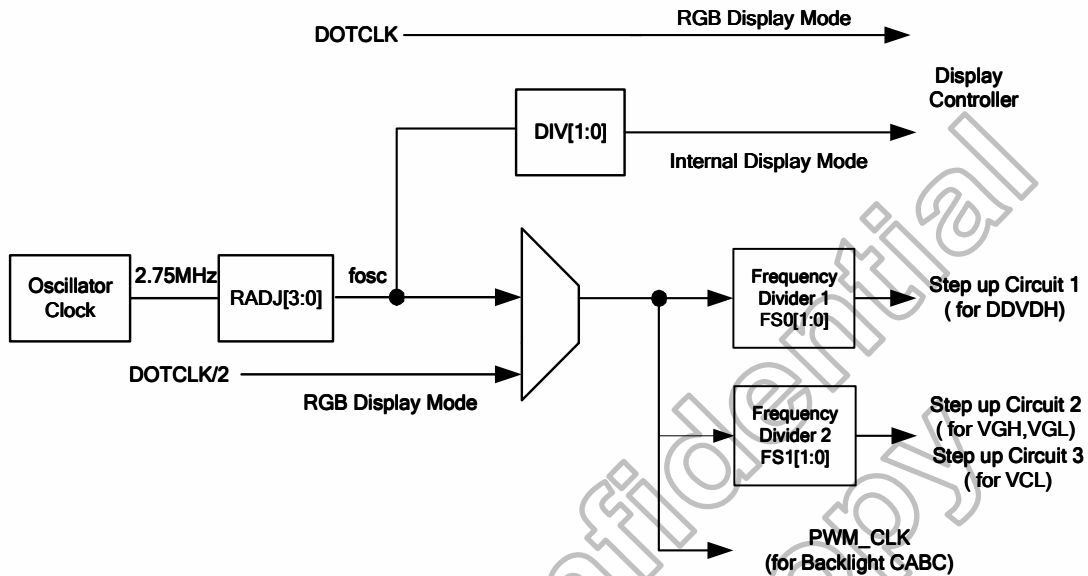


Figure 5.27: HX8347-G internal clock circuit

### 5.6 Source driver

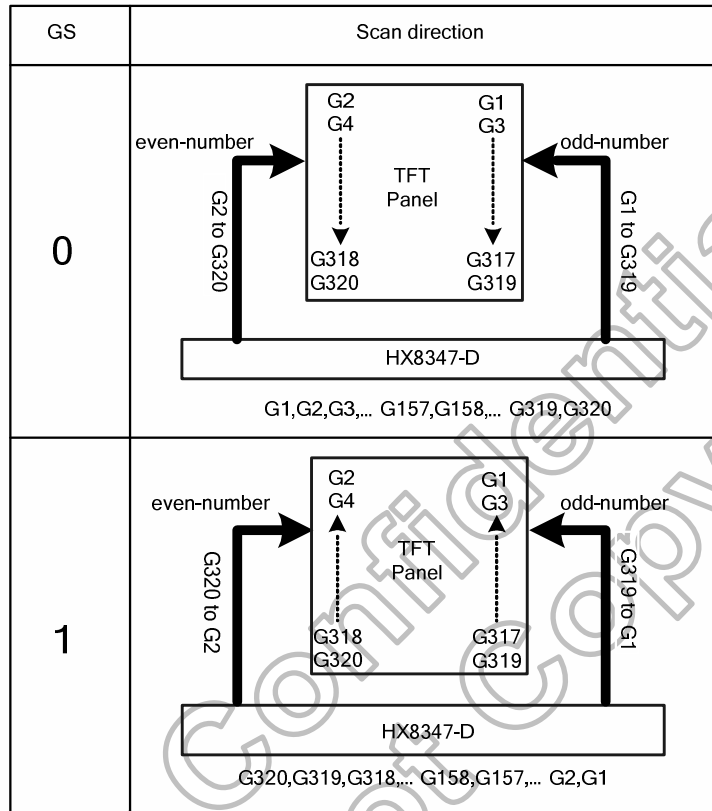
The HX8347-G contains a 720 channels of source driver (S1~S720) which is used for driving the source line of TFT LCD panel. The source driver converts the digital data from GRAM into the analog voltage for 720 channels and generates corresponding gray scale voltage output, which can realize a 262K colors display simultaneously. Since the output circuit of this source driver incorporates an operational amplifier, a positive and a negative voltage can be alternately outputted from each channel.

### 5.7 Gate driver

The HX8347-G contains a 320 gate channels of gate driver (G1~G320) which is used for driving the gate. The gate driver level is VGH when scan some line, VGL the other lines.

### 5.8 Scan mode setting

HX8347-G can set internal register GS\_PANEL bit to determine the pin assignment of gate. The GS\_PANEL setting allows changing the shift direction of gate outputs by connecting LCD panel with the HX8347-G.



**Figure 5.28: Gate scan mode**

## 5.9 LCD power generation circuit

### 5.9.1 Power supply circuit

The power circuit of HX8347-G is used to generate supply voltages for LCD panel driving.

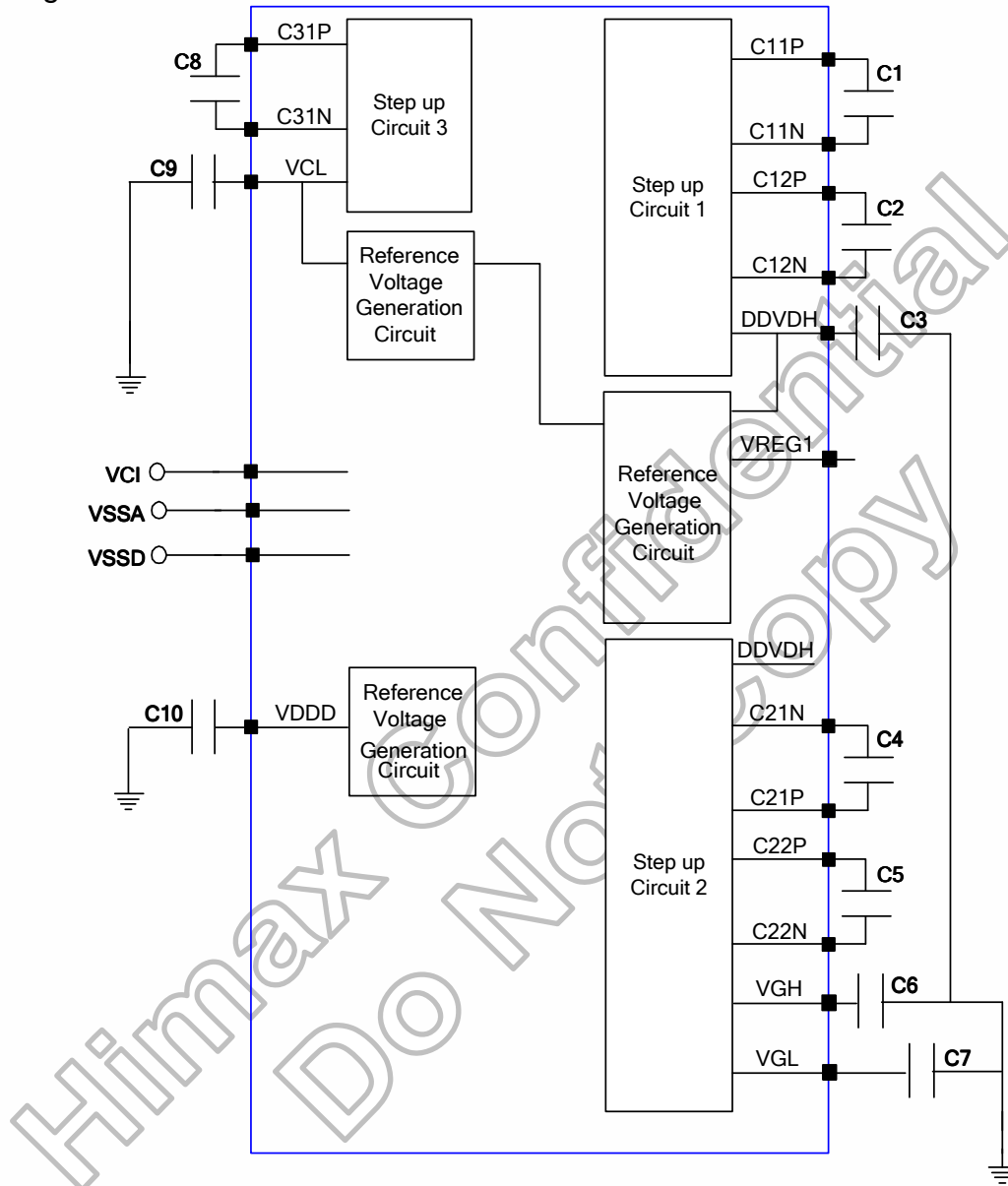


Figure 5.29: Block diagram of HX8347-G power circuit



**Specification of connected passive component**

Capacitor	Recommended voltage	Capacity
C1 (C11P/N)	6V	1 $\mu$ F (B characteristics)
C2 (C12P/N)	6V	1 $\mu$ F (B characteristics)
C3 (DDVDH)	10V	1 $\mu$ F (B characteristics)
C4 (C21P/N)	10V	1 $\mu$ F (B characteristics)
C5 (C22P/N)	10V	1 $\mu$ F (B characteristics)
C6 (VGH)	25V	1 $\mu$ F (B characteristics)
C7 (VGL)	16V	1 $\mu$ F (B characteristics)
C8 (C31P/N)	6V	1 $\mu$ F (B characteristics)
C9 (VCL)	6V	1 $\mu$ F (B characteristics)
C10(VDDD)	6V	1 $\mu$ F (B characteristics)

**Table 5.11: Adoptability of capacitor**

Himax Confidential  
Do Not Copy

### 5.9.2 LCD power generation scheme

The boost voltage generated is shown as below.

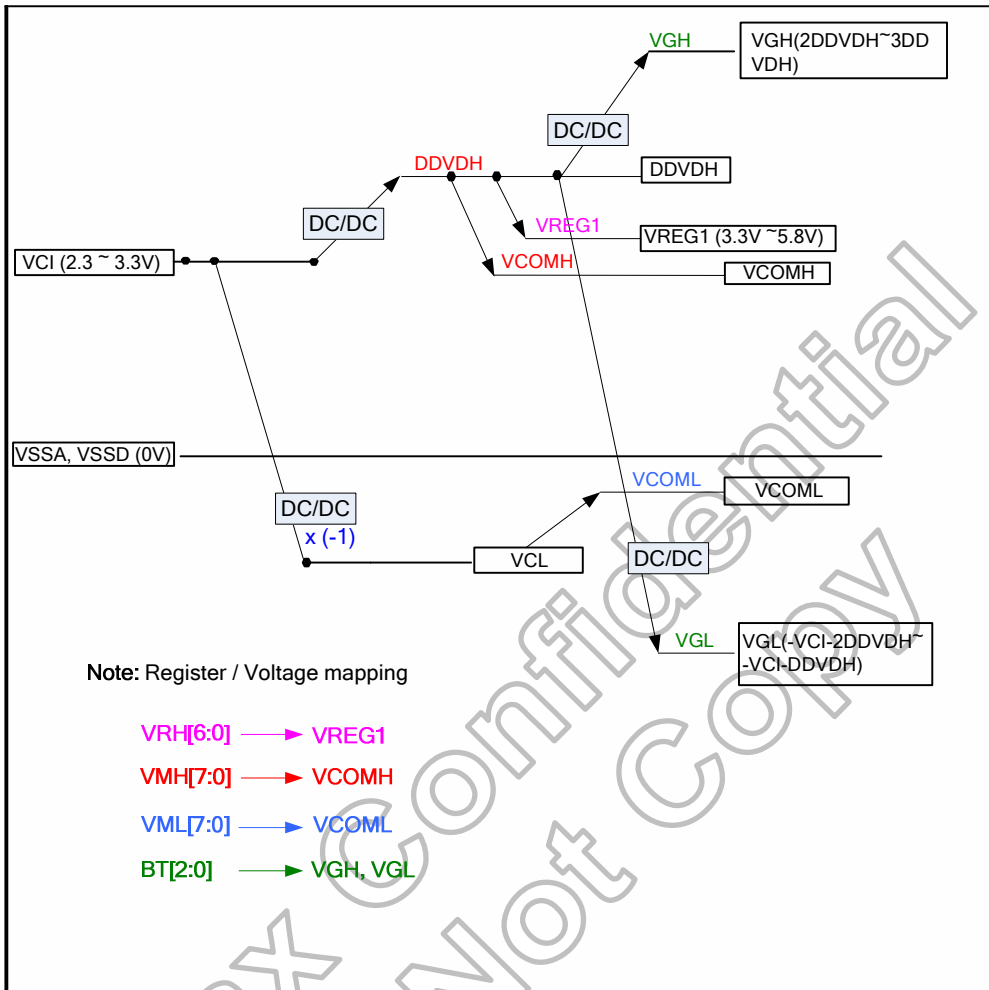
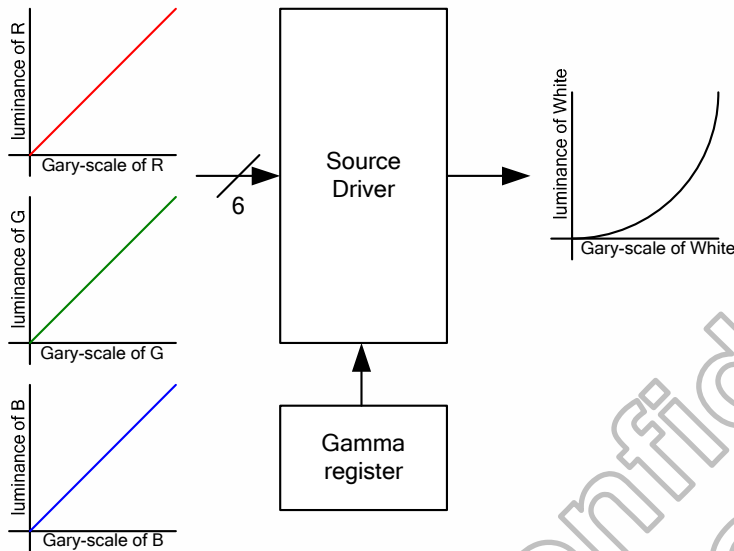


Figure 5.30: LCD power generation scheme

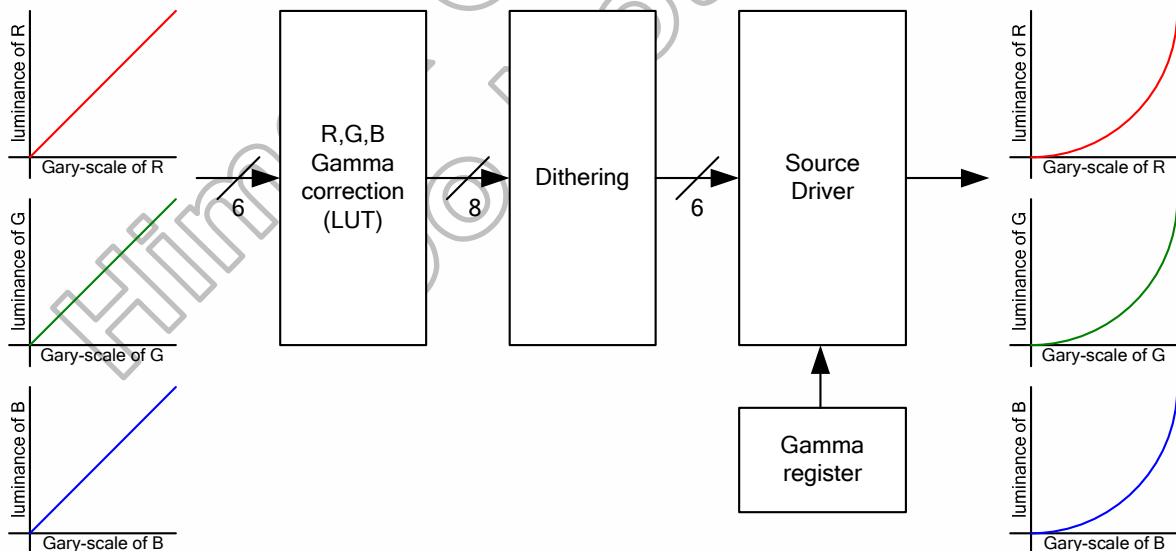
### 5.10 Gamma characteristic correction function

The HX8347-G offers two kinds of Gamma adjustment ways to come to accord with LC characteristic, one kind is through Source Driver directly, another one is adjusted by the digital gamma correction. The Gamma adjustment way is select by internal register DGC\_EN bit.

#### A) Gamma adjustment of Source Driver



#### B) Gamma adjustment of Digital Gamma Correction



**Figure 5.31: Gamma adjustments different of source driver with digital gamma correction**

The HX8347-G offers Gamma adjustment ways to come to accord with LC characteristic through Source Driver directly.

**5.10.1 Gamma characteristic correction function**

The HX8347-G incorporates gamma adjustment function for the 262,144-color display (64 grayscale for each R, G and B color). Gamma adjustment operation is implemented by deciding the 8 grayscale levels firstly in gamma adjustment control registers to match the LCD panel. These registers are available both for positive polarities and negative polarities.

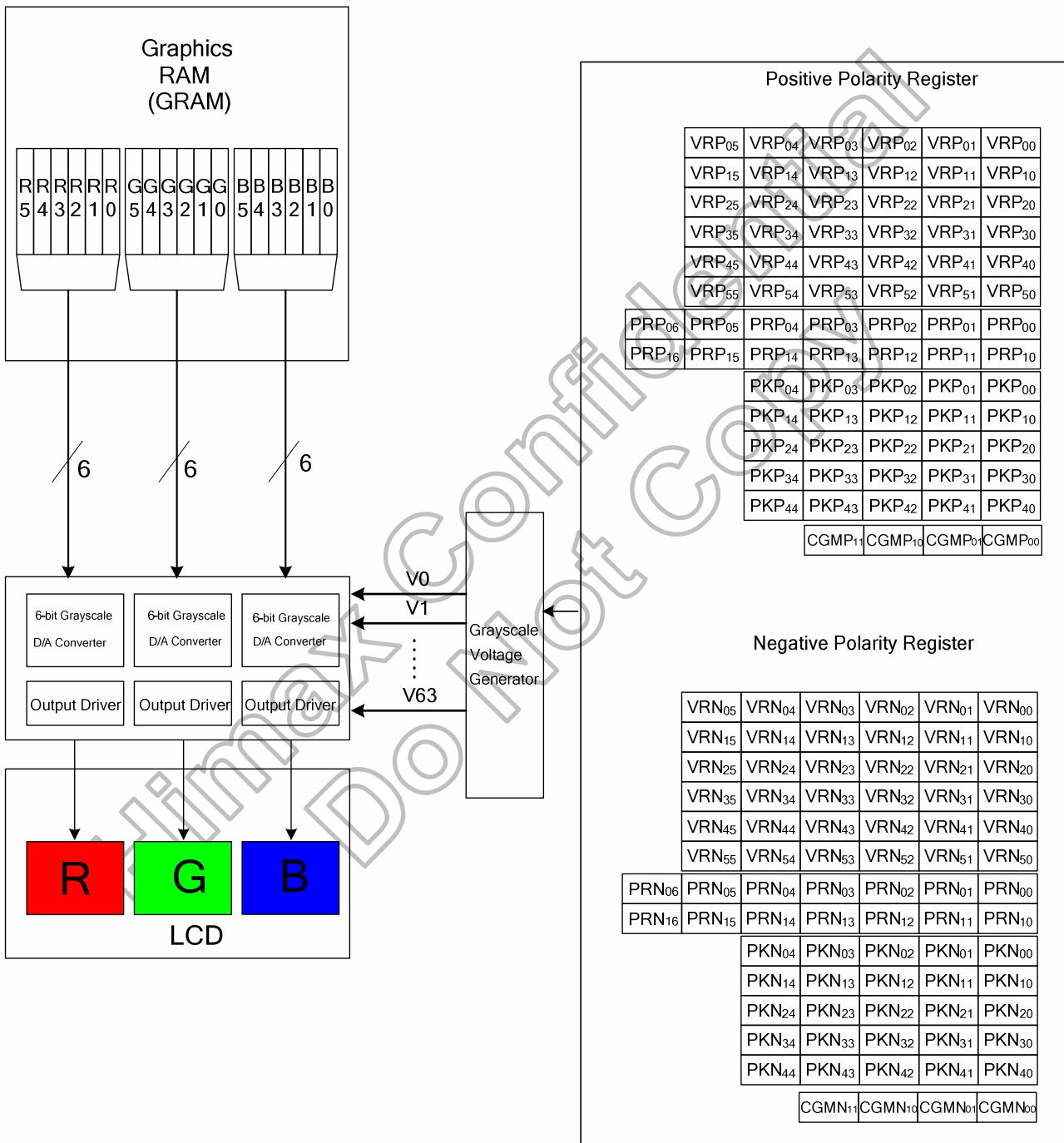


Figure 5.32: Grayscale control

### Gamma-characteristics adjustment registers

This HX8347-G has register groups for specifying a series grayscale voltage that meets the Gamma-characteristics for the LCD panel used. These registers are divided into two groups, which correspond to the gradient, amplitude, and macro adjustment of the voltage for the grayscale characteristics. The polarity of each register can be specified independently.

### Offset adjustment registers

The offset adjustment variable registers are used to adjust the amplitude of the grayscale voltage. This function is implemented by controlling these variable resistors in the top and bottom of the gamma resistor stream for reference gamma voltage generation. These registers are available for both positive and negative polarities

### Gamma center adjustment registers

The gamma center adjustment registers are used to adjust the reference gamma voltage in the middle level of grayscale without changing the dynamic range. This function is implemented by choosing one input of 128-to-1 selector in the gamma resistor stream for reference gamma voltage generation. These registers are available for both positive and negative polarities.

### Gamma macro adjustment registers

The gamma macro adjustment registers can be used for fine adjustment of the reference gamma voltage. This function is implemented by controlling the 32-to-1 selectors (PKP/N0~5), each of which has 5 inputs and generates one reference voltage output (Vg(P/N) 3, 20, 32(31), 43, 60).

Register Groups	Positive Polarity	Negative Polarity	Description
Center Adjustment	PRP0 6-0	PRN0 6-0	Variable resistor (PRP/N0) for center adjustment
	PRP1 6-0	PRN1 6-0	Variable resistor (PRP/N1) for center adjustment
Macro Adjustment	PKP0 4-0	PKN0 4-0	32-to-1 selector (voltage level of grayscale 3)
	PKP1 4-0	PKN1 4-0	32-to-1 selector (voltage level of grayscale 20)
	PKP2 4-0	PKN2 4-0	32-to-1 selector (voltage level of grayscale 32 for positive polarity and grayscale 31 for negative polarity)
	PKP3 4-0	PKN3 4-0	32-to-1 selector (voltage level of grayscale 43)
	PKP4 4-0	PKN4 4-0	32-to-1 selector (voltage level of grayscale 60)
Offset Adjustment	VRP0 5-0	VRN0 5-0	Variable resistor (VRP/N0) for offset adjustment
	VRP1 5-0	VRN1 5-0	Variable resistor (VRP/N1) for offset adjustment
	VRP2 5-0	VRN2 5-0	Variable resistor (VRP/N2) for offset adjustment
	VRP3 5-0	VRN3 5-0	Variable resistor (VRP/N3) for offset adjustment
	VRP4 5-0	VRN4 5-0	Variable resistor (VRP/N4) for offset adjustment
	VRP5 5-0	VRN5 5-0	Variable resistor (VRP/N5) for offset adjustment

**Table 5.12: Gamma-adjustment registers**

Gamma resistor stream

The block consists of two gamma resistor streams one is for positive polarity and the other is for negative polarity, each one including eight gamma reference voltages.  $V_{gP/N}$  (0, 1, 2, 3, 8, 20, 32(31), 43, 55, 60, 61, 62, 63). Furthermore, the block has a pin (VGS) to connect a variable resistor outside the chip for the variation between panels, if needed.

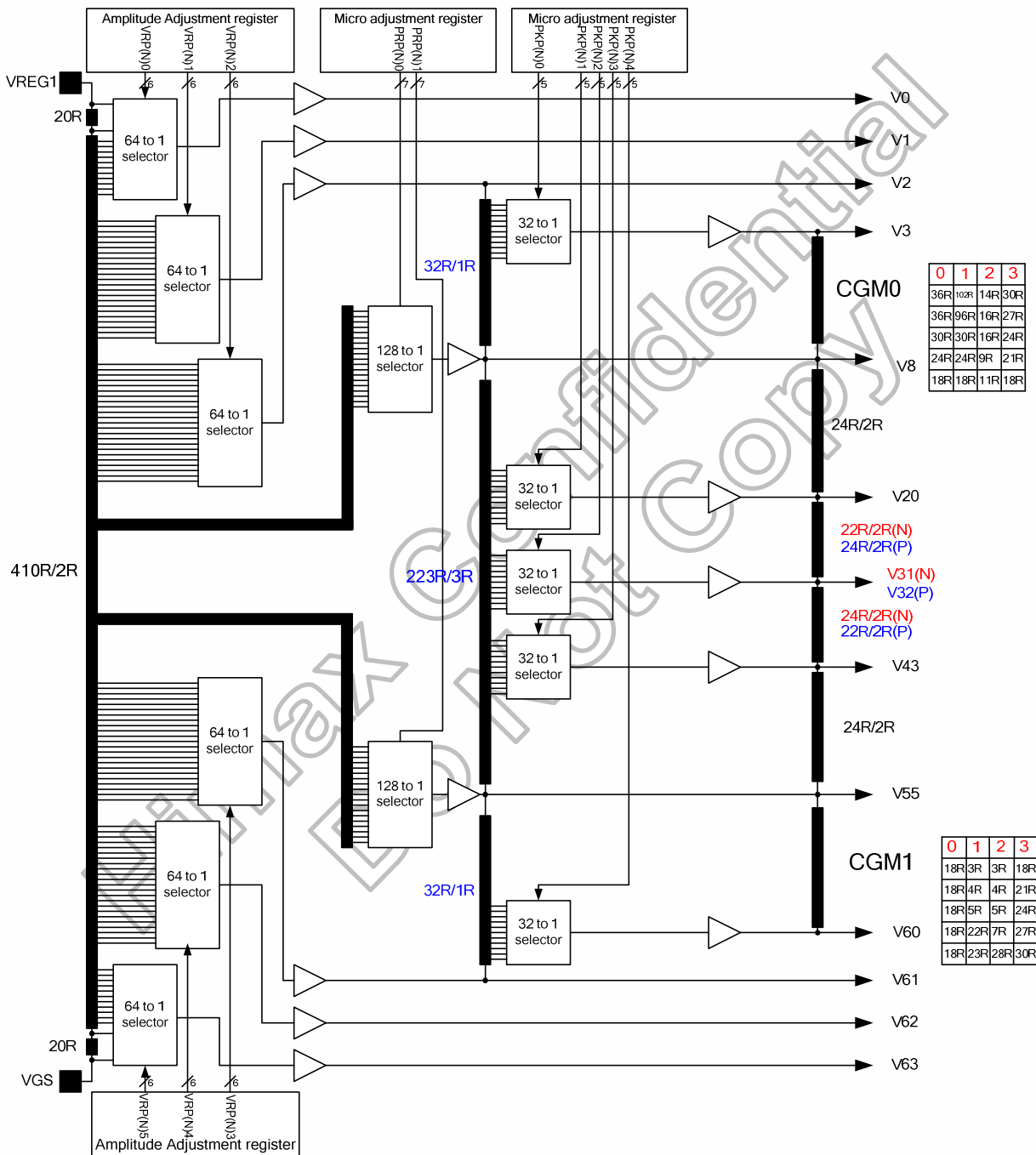


Figure 5.33: Gamma resistor stream and gamma reference voltage

**Variable resistor**

There are two types of variable resistors, one is for center adjustment and the other is for offset adjustment. The resistances are decided by setting values in the center adjustment, offset adjustment registers. Their relationships are shown below.

Value in Register VR(P/N)0 5-0	Resistance VR(P/N)0	Value in Register VR(P/N)1 5-0	Resistance VR(P/N)1	Value in Register VR(P/N)2 5-0	Resistance VR(P/N)2
000000	0R	000000	0R	000000	0R
000001	20R	000001	2R	000001	2R
000010	22R	000010	4R	000010	4R
000011	24R	000011	6R	000011	6R
•	•	•	•	•	•
•	•	•	•	•	•
011101	76R	011101	58R	011101	58R
011110	78R	011110	60R	011110	60R
011111	80R	011111	62R	011111	62R
100000	84R	100000	66R	100000	66R
100001	88R	100001	70R	100001	70R
100010	92R	100010	74R	100010	74R
•	•	•	•	•	•
•	•	•	•	•	•
111101	200R	111101	182R	111101	182R
111110	204R	111110	186R	111110	186R
111111	208R	111111	190R	111111	190R

Value in Register VR(P/N)3 5-0	Resistance VR(P/N)3	Value in Register VR(P/N)4 5-0	Resistance VR(P/N)4	Value in Register VR(P/N)5 5-0	Resistance VR(P/N)2
000000	0R	000000	0R	000000	0R
000001	4R	000001	4R	000001	4R
000010	8R	000010	8R	000010	8R
•	•	•	•	•	•
•	•	•	•	•	•
011101	116R	011101	116R	011101	116R
011110	120R	011110	120R	011110	120R
011111	124R	011111	124R	011111	124R
100000	128R	100000	128R	100000	128R
100001	130R	100001	130R	100001	130R
100010	132R	100010	132R	100010	132R
•	•	•	•	•	•
•	•	•	•	•	•
111100	184R	111100	184R	111100	184R
111101	186R	111101	186R	111101	186R
111110	188R	111110	188R	111110	188R
111111	190R	111111	190R	111111	208R

Table 5.13: Offset adjustment 0 ~ 5

Value in Register PR(P/N)0 6-0	Resistance PR(P/N)0	Value in Register PR(P/N)1 6-0	Resistance PR(P/N)1
0000000	0R	0000000	0R
0000001	2R	0000001	2R
0000010	4R	0000010	4R
•	•	•	•
•	•	•	•
1111101	250R	1010101	250R
1111110	252R	1111110	252R
1111111	254R	1111111	254R

Table 5.14: Center adjustment

The grayscale levels are determined by the following formulas:

Reference Voltage	Macro Adjustment Value	VinP/N0 Formula
VinP/N0	VRP/N0 5-0 = 000000	VREG1
	VRP/N0 5-0 = 000001	$((450R - 20R) / 450R) * (VREG1 - VGS) + VGS$
	VRP/N0 5-0 = 000010	$((450R - 22R) / 450R) * (VREG1 - VGS) + VGS$
	VRP/N0 5-0 = 000011	$((450R - 24R) / 450R) * (VREG1 - VGS) + VGS$
	VRP/N0 5-0 = 000100	$((450R - 26R) / 450R) * (VREG1 - VGS) + VGS$
	VRP/N0 5-0 = 000101	$((450R - 28R) / 450R) * (VREG1 - VGS) + VGS$
	VRP/N0 5-0 = 000110	$((450R - 30R) / 450R) * (VREG1 - VGS) + VGS$
	VRP/N0 5-0 = 000111	$((450R - 32R) / 450R) * (VREG1 - VGS) + VGS$
	VRP/N0 5-0 = 001000	$((450R - 34R) / 450R) * (VREG1 - VGS) + VGS$
	VRP/N0 5-0 = 001001	$((450R - 36R) / 450R) * (VREG1 - VGS) + VGS$
	VRP/N0 5-0 = 001010	$((450R - 38R) / 450R) * (VREG1 - VGS) + VGS$
	VRP/N0 5-0 = 001011	$((450R - 40R) / 450R) * (VREG1 - VGS) + VGS$
	VRP/N0 5-0 = 001100	$((450R - 42R) / 450R) * (VREG1 - VGS) + VGS$
	VRP/N0 5-0 = 001101	$((450R - 44R) / 450R) * (VREG1 - VGS) + VGS$
	VRP/N0 5-0 = 001110	$((450R - 46R) / 450R) * (VREG1 - VGS) + VGS$
	VRP/N0 5-0 = 001111	$((450R - 48R) / 450R) * (VREG1 - VGS) + VGS$
	VRP/N0 5-0 = 010000	$((450R - 50R) / 450R) * (VREG1 - VGS) + VGS$
	VRP/N0 5-0 = 010001	$((450R - 52R) / 450R) * (VREG1 - VGS) + VGS$
	VRP/N0 5-0 = 010010	$((450R - 54R) / 450R) * (VREG1 - VGS) + VGS$
	VRP/N0 5-0 = 010011	$((450R - 56R) / 450R) * (VREG1 - VGS) + VGS$
	VRP/N0 5-0 = 010100	$((450R - 58R) / 450R) * (VREG1 - VGS) + VGS$
	VRP/N0 5-0 = 010101	$((450R - 60R) / 450R) * (VREG1 - VGS) + VGS$
	VRP/N0 5-0 = 010110	$((450R - 62R) / 450R) * (VREG1 - VGS) + VGS$
	VRP/N0 5-0 = 010111	$((450R - 64R) / 450R) * (VREG1 - VGS) + VGS$
	VRP/N0 5-0 = 011000	$((450R - 66R) / 450R) * (VREG1 - VGS) + VGS$
	VRP/N0 5-0 = 011001	$((450R - 68R) / 450R) * (VREG1 - VGS) + VGS$
	VRP/N0 5-0 = 011010	$((450R - 70R) / 450R) * (VREG1 - VGS) + VGS$
	VRP/N0 5-0 = 011011	$((450R - 72R) / 450R) * (VREG1 - VGS) + VGS$
	VRP/N0 5-0 = 011100	$((450R - 74R) / 450R) * (VREG1 - VGS) + VGS$
	VRP/N0 5-0 = 011101	$((450R - 76R) / 450R) * (VREG1 - VGS) + VGS$
	VRP/N0 5-0 = 011110	$((450R - 78R) / 450R) * (VREG1 - VGS) + VGS$
	VRP/N0 5-0 = 011111	$((450R - 80R) / 450R) * (VREG1 - VGS) + VGS$
	VRP/N0 5-0 = 100000	$((450R - 84R) / 450R) * (VREG1 - VGS) + VGS$
	VRP/N0 5-0 = 100001	$((450R - 88R) / 450R) * (VREG1 - VGS) + VGS$
	VRP/N0 5-0 = 100010	$((450R - 92R) / 450R) * (VREG1 - VGS) + VGS$
	VRP/N0 5-0 = 100011	$((450R - 96R) / 450R) * (VREG1 - VGS) + VGS$
	VRP/N0 5-0 = 100100	$((450R - 100R) / 450R) * (VREG1 - VGS) + VGS$
	VRP/N0 5-0 = 100101	$((450R - 104R) / 450R) * (VREG1 - VGS) + VGS$
	VRP/N0 5-0 = 100110	$((450R - 108R) / 450R) * (VREG1 - VGS) + VGS$
	VRP/N0 5-0 = 100111	$((450R - 112R) / 450R) * (VREG1 - VGS) + VGS$
	VRP/N0 5-0 = 101000	$((450R - 116R) / 450R) * (VREG1 - VGS) + VGS$
	VRP/N0 5-0 = 101001	$((450R - 120R) / 450R) * (VREG1 - VGS) + VGS$
	VRP/N0 5-0 = 101010	$((450R - 124R) / 450R) * (VREG1 - VGS) + VGS$
	VRP/N0 5-0 = 101011	$((450R - 128R) / 450R) * (VREG1 - VGS) + VGS$
	VRP/N0 5-0 = 101100	$((450R - 132R) / 450R) * (VREG1 - VGS) + VGS$
	VRP/N0 5-0 = 101101	$((450R - 136R) / 450R) * (VREG1 - VGS) + VGS$
	VRP/N0 5-0 = 101110	$((450R - 140R) / 450R) * (VREG1 - VGS) + VGS$
	VRP/N0 5-0 = 101111	$((450R - 144R) / 450R) * (VREG1 - VGS) + VGS$
VRP/N0 5-0 = 110000	$((450R - 148R) / 450R) * (VREG1 - VGS) + VGS$	
VRP/N0 5-0 = 110001	$((450R - 152R) / 450R) * (VREG1 - VGS) + VGS$	
VRP/N0 5-0 = 110010	$((450R - 156R) / 450R) * (VREG1 - VGS) + VGS$	
VRP/N0 5-0 = 110011	$((450R - 160R) / 450R) * (VREG1 - VGS) + VGS$	
VRP/N0 5-0 = 110100	$((450R - 164R) / 450R) * (VREG1 - VGS) + VGS$	
VRP/N0 5-0 = 110101	$((450R - 168R) / 450R) * (VREG1 - VGS) + VGS$	
VRP/N0 5-0 = 110110	$((450R - 172R) / 450R) * (VREG1 - VGS) + VGS$	
VRP/N0 5-0 = 110111	$((450R - 176R) / 450R) * (VREG1 - VGS) + VGS$	
VRP/N0 5-0 = 111000	$((450R - 180R) / 450R) * (VREG1 - VGS) + VGS$	
VRP/N0 5-0 = 111001	$((450R - 184R) / 450R) * (VREG1 - VGS) + VGS$	
VRP/N0 5-0 = 111010	$((450R - 188R) / 450R) * (VREG1 - VGS) + VGS$	
VRP/N0 5-0 = 111011	$((450R - 192R) / 450R) * (VREG1 - VGS) + VGS$	
VRP/N0 5-0 = 111100	$((450R - 196R) / 450R) * (VREG1 - VGS) + VGS$	
VRP/N0 5-0 = 111101	$((450R - 200R) / 450R) * (VREG1 - VGS) + VGS$	
VRP/N0 5-0 = 111110	$((450R - 204R) / 450R) * (VREG1 - VGS) + VGS$	
VRP/N0 5-0 = 111111	$((450R - 208R) / 450R) * (VREG1 - VGS) + VGS$	

Table 5.15: VinP/N 0



Reference Voltage	Macro Adjustment Value	VinP/N1 Formula
	VRP/N1 5-0 = 000000	$(430R / 450R) * (VREG1 - VGS) + VGS$
	VRP/N1 5-0 = 000001	$((430R - 2R) / 450R) * (VREG1 - VGS) + VGS$
	VRP/N1 5-0 = 000010	$((430R - 4R) / 450R) * (VREG1 - VGS) + VGS$
	VRP/N1 5-0 = 000011	$((430R - 6R) / 450R) * (VREG1 - VGS) + VGS$
	VRP/N1 5-0 = 000100	$((430R - 8R) / 450R) * (VREG1 - VGS) + VGS$
	VRP/N1 5-0 = 000101	$((430R - 10R) / 450R) * (VREG1 - VGS) + VGS$
	VRP/N1 5-0 = 000110	$((430R - 12R) / 450R) * (VREG1 - VGS) + VGS$
	VRP/N1 5-0 = 000111	$((430R - 14R) / 450R) * (VREG1 - VGS) + VGS$
	VRP/N1 5-0 = 001000	$((430R - 16R) / 450R) * (VREG1 - VGS) + VGS$
	VRP/N1 5-0 = 001001	$((430R - 18R) / 450R) * (VREG1 - VGS) + VGS$
	VRP/N1 5-0 = 001010	$((430R - 20R) / 450R) * (VREG1 - VGS) + VGS$
	VRP/N1 5-0 = 001011	$((430R - 22R) / 450R) * (VREG1 - VGS) + VGS$
	VRP/N1 5-0 = 001100	$((430R - 24R) / 450R) * (VREG1 - VGS) + VGS$
	VRP/N1 5-0 = 001101	$((430R - 26R) / 450R) * (VREG1 - VGS) + VGS$
	VRP/N1 5-0 = 001110	$((430R - 28R) / 450R) * (VREG1 - VGS) + VGS$
	VRP/N1 5-0 = 001111	$((430R - 30R) / 450R) * (VREG1 - VGS) + VGS$
	VRP/N1 5-0 = 010000	$((430R - 32R) / 450R) * (VREG1 - VGS) + VGS$
	VRP/N1 5-0 = 010001	$((430R - 34R) / 450R) * (VREG1 - VGS) + VGS$
	VRP/N1 5-0 = 010010	$((430R - 36R) / 450R) * (VREG1 - VGS) + VGS$
	VRP/N1 5-0 = 010011	$((430R - 38R) / 450R) * (VREG1 - VGS) + VGS$
	VRP/N1 5-0 = 010100	$((430R - 40R) / 450R) * (VREG1 - VGS) + VGS$
	VRP/N1 5-0 = 010101	$((430R - 42R) / 450R) * (VREG1 - VGS) + VGS$
	VRP/N1 5-0 = 010110	$((430R - 44R) / 450R) * (VREG1 - VGS) + VGS$
	VRP/N1 5-0 = 010111	$((430R - 46R) / 450R) * (VREG1 - VGS) + VGS$
	VRP/N1 5-0 = 011000	$((430R - 48R) / 450R) * (VREG1 - VGS) + VGS$
	VRP/N1 5-0 = 011001	$((430R - 50R) / 450R) * (VREG1 - VGS) + VGS$
	VRP/N1 5-0 = 011010	$((430R - 52R) / 450R) * (VREG1 - VGS) + VGS$
	VRP/N1 5-0 = 011011	$((430R - 54R) / 450R) * (VREG1 - VGS) + VGS$
	VRP/N1 5-0 = 011100	$((430R - 56R) / 450R) * (VREG1 - VGS) + VGS$
	VRP/N1 5-0 = 011101	$((430R - 58R) / 450R) * (VREG1 - VGS) + VGS$
	VRP/N1 5-0 = 011110	$((430R - 60R) / 450R) * (VREG1 - VGS) + VGS$
	VRP/N1 5-0 = 011111	$((430R - 62R) / 450R) * (VREG1 - VGS) + VGS$
VinP/N1	VRP/N1 5-0 = 100000	$((430R - 66R) / 450R) * (VREG1 - VGS) + VGS$
	VRP/N1 5-0 = 100001	$((430R - 70R) / 450R) * (VREG1 - VGS) + VGS$
	VRP/N1 5-0 = 100010	$((430R - 74R) / 450R) * (VREG1 - VGS) + VGS$
	VRP/N1 5-0 = 100011	$((430R - 78R) / 450R) * (VREG1 - VGS) + VGS$
	VRP/N1 5-0 = 100100	$((430R - 82R) / 450R) * (VREG1 - VGS) + VGS$
	VRP/N1 5-0 = 100101	$((430R - 86R) / 450R) * (VREG1 - VGS) + VGS$
	VRP/N1 5-0 = 100110	$((430R - 90R) / 450R) * (VREG1 - VGS) + VGS$
	VRP/N1 5-0 = 100111	$((430R - 94R) / 450R) * (VREG1 - VGS) + VGS$
	VRP/N1 5-0 = 101000	$((430R - 98R) / 450R) * (VREG1 - VGS) + VGS$
	VRP/N1 5-0 = 101001	$((430R - 102R) / 450R) * (VREG1 - VGS) + VGS$
	VRP/N1 5-0 = 101010	$((430R - 106R) / 450R) * (VREG1 - VGS) + VGS$
	VRP/N1 5-0 = 101011	$((430R - 110R) / 450R) * (VREG1 - VGS) + VGS$
	VRP/N1 5-0 = 101100	$((430R - 114R) / 450R) * (VREG1 - VGS) + VGS$
	VRP/N1 5-0 = 101101	$((430R - 118R) / 450R) * (VREG1 - VGS) + VGS$
	VRP/N1 5-0 = 101110	$((430R - 122R) / 450R) * (VREG1 - VGS) + VGS$
	VRP/N1 5-0 = 101111	$((430R - 126R) / 450R) * (VREG1 - VGS) + VGS$
	VRP/N1 5-0 = 110000	$((430R - 130R) / 450R) * (VREG1 - VGS) + VGS$
	VRP/N1 5-0 = 110001	$((430R - 134R) / 450R) * (VREG1 - VGS) + VGS$
	VRP/N1 5-0 = 110010	$((430R - 138R) / 450R) * (VREG1 - VGS) + VGS$
	VRP/N1 5-0 = 110011	$((430R - 142R) / 450R) * (VREG1 - VGS) + VGS$
	VRP/N1 5-0 = 110100	$((430R - 146R) / 450R) * (VREG1 - VGS) + VGS$
	VRP/N1 5-0 = 110101	$((430R - 150R) / 450R) * (VREG1 - VGS) + VGS$
	VRP/N1 5-0 = 110110	$((430R - 154R) / 450R) * (VREG1 - VGS) + VGS$
	VRP/N1 5-0 = 110111	$((430R - 158R) / 450R) * (VREG1 - VGS) + VGS$
	VRP/N1 5-0 = 111000	$((430R - 162R) / 450R) * (VREG1 - VGS) + VGS$
	VRP/N1 5-0 = 111001	$((430R - 166R) / 450R) * (VREG1 - VGS) + VGS$
	VRP/N1 5-0 = 111010	$((430R - 170R) / 450R) * (VREG1 - VGS) + VGS$
	VRP/N1 5-0 = 111011	$((430R - 174R) / 450R) * (VREG1 - VGS) + VGS$
	VRP/N1 5-0 = 111100	$((430R - 178R) / 450R) * (VREG1 - VGS) + VGS$
	VRP/N1 5-0 = 111101	$((430R - 182R) / 450R) * (VREG1 - VGS) + VGS$
	VRP/N1 5-0 = 111110	$((430R - 186R) / 450R) * (VREG1 - VGS) + VGS$
	VRP/N1 5-0 = 111111	$((430R - 190R) / 450R) * (VREG1 - VGS) + VGS$

Table 5.16: VinP/N 1

Reference Voltage	Macro Adjustment Value	VinP/N2 Formula
VinP/N2	VRP/N2 5-0 = 000000	$(410R / 450R) * (VREG1 - VGS) + VGS$
	VRP/N2 5-0 = 000001	$((410R - 2R) / 450R) * (VREG1 - VGS) + VGS$
	VRP/N2 5-0 = 000010	$((410R - 4R) / 450R) * (VREG1 - VGS) + VGS$
	VRP/N2 5-0 = 000011	$((410R - 6R) / 450R) * (VREG1 - VGS) + VGS$
	VRP/N2 5-0 = 000100	$((410R - 8R) / 450R) * (VREG1 - VGS) + VGS$
	VRP/N2 5-0 = 000101	$((410R - 10R) / 450R) * (VREG1 - VGS) + VGS$
	VRP/N2 5-0 = 000110	$((410R - 12R) / 450R) * (VREG1 - VGS) + VGS$
	VRP/N2 5-0 = 000111	$((410R - 14R) / 450R) * (VREG1 - VGS) + VGS$
	VRP/N2 5-0 = 001000	$((410R - 16R) / 450R) * (VREG1 - VGS) + VGS$
	VRP/N2 5-0 = 001001	$((410R - 18R) / 450R) * (VREG1 - VGS) + VGS$
	VRP/N2 5-0 = 001010	$((410R - 20R) / 450R) * (VREG1 - VGS) + VGS$
	VRP/N2 5-0 = 001011	$((410R - 22R) / 450R) * (VREG1 - VGS) + VGS$
	VRP/N2 5-0 = 001100	$((410R - 24R) / 450R) * (VREG1 - VGS) + VGS$
	VRP/N2 5-0 = 001101	$((410R - 26R) / 450R) * (VREG1 - VGS) + VGS$
	VRP/N2 5-0 = 001110	$((410R - 28R) / 450R) * (VREG1 - VGS) + VGS$
	VRP/N2 5-0 = 001111	$((410R - 30R) / 450R) * (VREG1 - VGS) + VGS$
	VRP/N2 5-0 = 010000	$((410R - 32R) / 450R) * (VREG1 - VGS) + VGS$
	VRP/N2 5-0 = 010001	$((410R - 34R) / 450R) * (VREG1 - VGS) + VGS$
	VRP/N2 5-0 = 010010	$((410R - 36R) / 450R) * (VREG1 - VGS) + VGS$
	VRP/N2 5-0 = 010011	$((410R - 38R) / 450R) * (VREG1 - VGS) + VGS$
	VRP/N2 5-0 = 010100	$((410R - 40R) / 450R) * (VREG1 - VGS) + VGS$
	VRP/N2 5-0 = 010101	$((410R - 42R) / 450R) * (VREG1 - VGS) + VGS$
	VRP/N2 5-0 = 010110	$((410R - 44R) / 450R) * (VREG1 - VGS) + VGS$
	VRP/N2 5-0 = 010111	$((410R - 46R) / 450R) * (VREG1 - VGS) + VGS$
	VRP/N2 5-0 = 011000	$((410R - 48R) / 450R) * (VREG1 - VGS) + VGS$
	VRP/N2 5-0 = 011001	$((410R - 50R) / 450R) * (VREG1 - VGS) + VGS$
	VRP/N2 5-0 = 011010	$((410R - 52R) / 450R) * (VREG1 - VGS) + VGS$
	VRP/N2 5-0 = 011011	$((410R - 54R) / 450R) * (VREG1 - VGS) + VGS$
	VRP/N2 5-0 = 011100	$((410R - 56R) / 450R) * (VREG1 - VGS) + VGS$
	VRP/N2 5-0 = 011101	$((410R - 58R) / 450R) * (VREG1 - VGS) + VGS$
	VRP/N2 5-0 = 011110	$((410R - 60R) / 450R) * (VREG1 - VGS) + VGS$
	VRP/N2 5-0 = 011111	$((410R - 62R) / 450R) * (VREG1 - VGS) + VGS$
	VRP/N2 5-0 = 100000	$((410R - 66R) / 450R) * (VREG1 - VGS) + VGS$
	VRP/N2 5-0 = 100001	$((410R - 70R) / 450R) * (VREG1 - VGS) + VGS$
	VRP/N2 5-0 = 100010	$((410R - 74R) / 450R) * (VREG1 - VGS) + VGS$
	VRP/N2 5-0 = 100011	$((410R - 78R) / 450R) * (VREG1 - VGS) + VGS$
	VRP/N2 5-0 = 100100	$((410R - 82R) / 450R) * (VREG1 - VGS) + VGS$
	VRP/N2 5-0 = 100101	$((410R - 86R) / 450R) * (VREG1 - VGS) + VGS$
	VRP/N2 5-0 = 100110	$((410R - 90R) / 450R) * (VREG1 - VGS) + VGS$
	VRP/N2 5-0 = 100111	$((410R - 94R) / 450R) * (VREG1 - VGS) + VGS$
	VRP/N2 5-0 = 101000	$((410R - 98R) / 450R) * (VREG1 - VGS) + VGS$
	VRP/N2 5-0 = 101001	$((410R - 102R) / 450R) * (VREG1 - VGS) + VGS$
	VRP/N2 5-0 = 101010	$((410R - 106R) / 450R) * (VREG1 - VGS) + VGS$
	VRP/N2 5-0 = 101011	$((410R - 110R) / 450R) * (VREG1 - VGS) + VGS$
	VRP/N2 5-0 = 101100	$((410R - 114R) / 450R) * (VREG1 - VGS) + VGS$
	VRP/N2 5-0 = 101101	$((410R - 118R) / 450R) * (VREG1 - VGS) + VGS$
	VRP/N2 5-0 = 101110	$((410R - 122R) / 450R) * (VREG1 - VGS) + VGS$
	VRP/N2 5-0 = 101111	$((410R - 126R) / 450R) * (VREG1 - VGS) + VGS$
VRP/N2 5-0 = 110000	$((410R - 130R) / 450R) * (VREG1 - VGS) + VGS$	
VRP/N2 5-0 = 110001	$((410R - 134R) / 450R) * (VREG1 - VGS) + VGS$	
VRP/N2 5-0 = 110010	$((410R - 138R) / 450R) * (VREG1 - VGS) + VGS$	
VRP/N2 5-0 = 110011	$((410R - 142R) / 450R) * (VREG1 - VGS) + VGS$	
VRP/N2 5-0 = 110100	$((410R - 146R) / 450R) * (VREG1 - VGS) + VGS$	
VRP/N2 5-0 = 110101	$((410R - 150R) / 450R) * (VREG1 - VGS) + VGS$	
VRP/N2 5-0 = 110110	$((410R - 154R) / 450R) * (VREG1 - VGS) + VGS$	
VRP/N2 5-0 = 110111	$((410R - 158R) / 450R) * (VREG1 - VGS) + VGS$	
VRP/N2 5-0 = 111000	$((410R - 162R) / 450R) * (VREG1 - VGS) + VGS$	
VRP/N2 5-0 = 111001	$((410R - 166R) / 450R) * (VREG1 - VGS) + VGS$	
VRP/N2 5-0 = 111010	$((410R - 170R) / 450R) * (VREG1 - VGS) + VGS$	
VRP/N2 5-0 = 111011	$((410R - 174R) / 450R) * (VREG1 - VGS) + VGS$	
VRP/N2 5-0 = 111100	$((410R - 178R) / 450R) * (VREG1 - VGS) + VGS$	
VRP/N2 5-0 = 111101	$((410R - 182R) / 450R) * (VREG1 - VGS) + VGS$	
VRP/N2 5-0 = 111110	$((410R - 186R) / 450R) * (VREG1 - VGS) + VGS$	
VRP/N2 5-0 = 111111	$((410R - 190R) / 450R) * (VREG1 - VGS) + VGS$	

Table 5.17: VinP/N 2

Reference Voltage	Macro Adjustment Value	VinP/N10 Formula
	VRP/N3 5-0 = 000000	$(230R / 450R) * (VREG1 - VGS) + VGS$
	VRP/N3 5-0 = 000001	$((230R - 4R) / 450R) * (VREG1 - VGS) + VGS$
	VRP/N3 5-0 = 000010	$((230R - 8R) / 450R) * (VREG1 - VGS) + VGS$
	VRP/N3 5-0 = 000011	$((230R - 12R) / 450R) * (VREG1 - VGS) + VGS$
	VRP/N3 5-0 = 000100	$((230R - 16R) / 450R) * (VREG1 - VGS) + VGS$
	VRP/N3 5-0 = 000101	$((230R - 20R) / 450R) * (VREG1 - VGS) + VGS$
	VRP/N3 5-0 = 000110	$((230R - 24R) / 450R) * (VREG1 - VGS) + VGS$
	VRP/N3 5-0 = 000111	$((230R - 28R) / 450R) * (VREG1 - VGS) + VGS$
	VRP/N3 5-0 = 001000	$((230R - 32R) / 450R) * (VREG1 - VGS) + VGS$
	VRP/N3 5-0 = 001001	$((230R - 36R) / 450R) * (VREG1 - VGS) + VGS$
	VRP/N3 5-0 = 001010	$((230R - 40R) / 450R) * (VREG1 - VGS) + VGS$
	VRP/N3 5-0 = 001011	$((230R - 44R) / 450R) * (VREG1 - VGS) + VGS$
	VRP/N3 5-0 = 001100	$((230R - 48R) / 450R) * (VREG1 - VGS) + VGS$
	VRP/N3 5-0 = 001101	$((230R - 52R) / 450R) * (VREG1 - VGS) + VGS$
	VRP/N3 5-0 = 001110	$((230R - 56R) / 450R) * (VREG1 - VGS) + VGS$
	VRP/N3 5-0 = 001111	$((230R - 60R) / 450R) * (VREG1 - VGS) + VGS$
	VRP/N3 5-0 = 010000	$((230R - 64R) / 450R) * (VREG1 - VGS) + VGS$
	VRP/N3 5-0 = 010001	$((230R - 68R) / 450R) * (VREG1 - VGS) + VGS$
	VRP/N3 5-0 = 010010	$((230R - 72R) / 450R) * (VREG1 - VGS) + VGS$
	VRP/N3 5-0 = 010011	$((230R - 76R) / 450R) * (VREG1 - VGS) + VGS$
	VRP/N3 5-0 = 010100	$((230R - 80R) / 450R) * (VREG1 - VGS) + VGS$
	VRP/N3 5-0 = 010101	$((230R - 84R) / 450R) * (VREG1 - VGS) + VGS$
	VRP/N3 5-0 = 010110	$((230R - 88R) / 450R) * (VREG1 - VGS) + VGS$
	VRP/N3 5-0 = 010111	$((230R - 92R) / 450R) * (VREG1 - VGS) + VGS$
	VRP/N3 5-0 = 011000	$((230R - 96R) / 450R) * (VREG1 - VGS) + VGS$
	VRP/N3 5-0 = 011001	$((230R - 100R) / 450R) * (VREG1 - VGS) + VGS$
	VRP/N3 5-0 = 011010	$((230R - 104R) / 450R) * (VREG1 - VGS) + VGS$
	VRP/N3 5-0 = 011011	$((230R - 108R) / 450R) * (VREG1 - VGS) + VGS$
	VRP/N3 5-0 = 011100	$((230R - 112R) / 450R) * (VREG1 - VGS) + VGS$
	VRP/N3 5-0 = 011101	$((230R - 116R) / 450R) * (VREG1 - VGS) + VGS$
	VRP/N3 5-0 = 011110	$((230R - 120R) / 450R) * (VREG1 - VGS) + VGS$
	VRP/N3 5-0 = 011111	$((230R - 124R) / 450R) * (VREG1 - VGS) + VGS$
VinP/N10	VRP/N3 5-0 = 100000	$((230R - 128R) / 450R) * (VREG1 - VGS) + VGS$
	VRP/N3 5-0 = 100001	$((230R - 130R) / 450R) * (VREG1 - VGS) + VGS$
	VRP/N3 5-0 = 100010	$((230R - 132R) / 450R) * (VREG1 - VGS) + VGS$
	VRP/N3 5-0 = 100011	$((230R - 134R) / 450R) * (VREG1 - VGS) + VGS$
	VRP/N3 5-0 = 100100	$((230R - 136R) / 450R) * (VREG1 - VGS) + VGS$
	VRP/N3 5-0 = 100101	$((230R - 138R) / 450R) * (VREG1 - VGS) + VGS$
	VRP/N3 5-0 = 100110	$((230R - 140R) / 450R) * (VREG1 - VGS) + VGS$
	VRP/N3 5-0 = 100111	$((230R - 142R) / 450R) * (VREG1 - VGS) + VGS$
	VRP/N3 5-0 = 101000	$((230R - 144R) / 450R) * (VREG1 - VGS) + VGS$
	VRP/N3 5-0 = 101001	$((230R - 146R) / 450R) * (VREG1 - VGS) + VGS$
	VRP/N3 5-0 = 101010	$((230R - 148R) / 450R) * (VREG1 - VGS) + VGS$
	VRP/N3 5-0 = 101011	$((230R - 150R) / 450R) * (VREG1 - VGS) + VGS$
	VRP/N3 5-0 = 101100	$((230R - 152R) / 450R) * (VREG1 - VGS) + VGS$
	VRP/N3 5-0 = 101101	$((230R - 154R) / 450R) * (VREG1 - VGS) + VGS$
	VRP/N3 5-0 = 101110	$((230R - 156R) / 450R) * (VREG1 - VGS) + VGS$
	VRP/N3 5-0 = 101111	$((230R - 158R) / 450R) * (VREG1 - VGS) + VGS$
	VRP/N3 5-0 = 110000	$((230R - 160R) / 450R) * (VREG1 - VGS) + VGS$
	VRP/N3 5-0 = 110001	$((230R - 162R) / 450R) * (VREG1 - VGS) + VGS$
	VRP/N3 5-0 = 110010	$((230R - 164R) / 450R) * (VREG1 - VGS) + VGS$
	VRP/N3 5-0 = 110011	$((230R - 166R) / 450R) * (VREG1 - VGS) + VGS$
	VRP/N3 5-0 = 110100	$((230R - 168R) / 450R) * (VREG1 - VGS) + VGS$
	VRP/N3 5-0 = 110101	$((230R - 170R) / 450R) * (VREG1 - VGS) + VGS$
	VRP/N3 5-0 = 110110	$((230R - 172R) / 450R) * (VREG1 - VGS) + VGS$
	VRP/N3 5-0 = 110111	$((230R - 174R) / 450R) * (VREG1 - VGS) + VGS$
	VRP/N3 5-0 = 111000	$((230R - 176R) / 450R) * (VREG1 - VGS) + VGS$
	VRP/N3 5-0 = 111001	$((230R - 178R) / 450R) * (VREG1 - VGS) + VGS$
	VRP/N3 5-0 = 111010	$((230R - 180R) / 450R) * (VREG1 - VGS) + VGS$
	VRP/N3 5-0 = 111011	$((230R - 182R) / 450R) * (VREG1 - VGS) + VGS$
	VRP/N3 5-0 = 111100	$((230R - 184R) / 450R) * (VREG1 - VGS) + VGS$
	VRP/N3 5-0 = 111101	$((230R - 186R) / 450R) * (VREG1 - VGS) + VGS$
	VRP/N3 5-0 = 111110	$((230R - 188R) / 450R) * (VREG1 - VGS) + VGS$
	VRP/N3 5-0 = 111111	$((230R - 190R) / 450R) * (VREG1 - VGS) + VGS$

Table 5.18: VinP/N 10

Reference Voltage	Macro Adjustment Value	VinP/N11 Formula
VinP/N11	VRP/N4 5-0 = 000000	$(210R / 450R) * (VREG1 - VGS) + VGS$
	VRP/N4 5-0 = 000001	$((210R - 4R) / 450R) * (VREG1 - VGS) + VGS$
	VRP/N4 5-0 = 000010	$((210R - 8R) / 450R) * (VREG1 - VGS) + VGS$
	VRP/N4 5-0 = 000011	$((210R - 12R) / 450R) * (VREG1 - VGS) + VGS$
	VRP/N4 5-0 = 000100	$((210R - 16R) / 450R) * (VREG1 - VGS) + VGS$
	VRP/N4 5-0 = 000101	$((210R - 20R) / 450R) * (VREG1 - VGS) + VGS$
	VRP/N4 5-0 = 000110	$((210R - 24R) / 450R) * (VREG1 - VGS) + VGS$
	VRP/N4 5-0 = 000111	$((210R - 28R) / 450R) * (VREG1 - VGS) + VGS$
	VRP/N4 5-0 = 001000	$((210R - 32R) / 450R) * (VREG1 - VGS) + VGS$
	VRP/N4 5-0 = 001001	$((210R - 36R) / 450R) * (VREG1 - VGS) + VGS$
	VRP/N4 5-0 = 001010	$((210R - 40R) / 450R) * (VREG1 - VGS) + VGS$
	VRP/N4 5-0 = 001011	$((210R - 44R) / 450R) * (VREG1 - VGS) + VGS$
	VRP/N4 5-0 = 001100	$((210R - 48R) / 450R) * (VREG1 - VGS) + VGS$
	VRP/N4 5-0 = 001101	$((210R - 52R) / 450R) * (VREG1 - VGS) + VGS$
	VRP/N4 5-0 = 001110	$((210R - 56R) / 450R) * (VREG1 - VGS) + VGS$
	VRP/N4 5-0 = 001111	$((210R - 60R) / 450R) * (VREG1 - VGS) + VGS$
	VRP/N4 5-0 = 010000	$((210R - 64R) / 450R) * (VREG1 - VGS) + VGS$
	VRP/N4 5-0 = 010001	$((210R - 68R) / 450R) * (VREG1 - VGS) + VGS$
	VRP/N4 5-0 = 010010	$((210R - 72R) / 450R) * (VREG1 - VGS) + VGS$
	VRP/N4 5-0 = 010011	$((210R - 76R) / 450R) * (VREG1 - VGS) + VGS$
	VRP/N4 5-0 = 010100	$((210R - 80R) / 450R) * (VREG1 - VGS) + VGS$
	VRP/N4 5-0 = 010101	$((210R - 84R) / 450R) * (VREG1 - VGS) + VGS$
	VRP/N4 5-0 = 010110	$((210R - 88R) / 450R) * (VREG1 - VGS) + VGS$
	VRP/N4 5-0 = 010111	$((210R - 92R) / 450R) * (VREG1 - VGS) + VGS$
	VRP/N4 5-0 = 011000	$((210R - 96R) / 450R) * (VREG1 - VGS) + VGS$
	VRP/N4 5-0 = 011001	$((210R - 100R) / 450R) * (VREG1 - VGS) + VGS$
	VRP/N4 5-0 = 011010	$((210R - 104R) / 450R) * (VREG1 - VGS) + VGS$
	VRP/N4 5-0 = 011011	$((210R - 108R) / 450R) * (VREG1 - VGS) + VGS$
	VRP/N4 5-0 = 011100	$((210R - 112R) / 450R) * (VREG1 - VGS) + VGS$
	VRP/N4 5-0 = 011101	$((210R - 116R) / 450R) * (VREG1 - VGS) + VGS$
	VRP/N4 5-0 = 011110	$((210R - 120R) / 450R) * (VREG1 - VGS) + VGS$
	VRP/N4 5-0 = 011111	$((210R - 124R) / 450R) * (VREG1 - VGS) + VGS$
	VRP/N4 5-0 = 100000	$((210R - 128R) / 450R) * (VREG1 - VGS) + VGS$
	VRP/N4 5-0 = 100001	$((210R - 130R) / 450R) * (VREG1 - VGS) + VGS$
	VRP/N4 5-0 = 100010	$((210R - 132R) / 450R) * (VREG1 - VGS) + VGS$
	VRP/N4 5-0 = 100011	$((210R - 134R) / 450R) * (VREG1 - VGS) + VGS$
	VRP/N4 5-0 = 100100	$((210R - 136R) / 450R) * (VREG1 - VGS) + VGS$
	VRP/N4 5-0 = 100101	$((210R - 138R) / 450R) * (VREG1 - VGS) + VGS$
	VRP/N4 5-0 = 100110	$((210R - 140R) / 450R) * (VREG1 - VGS) + VGS$
	VRP/N4 5-0 = 100111	$((210R - 142R) / 450R) * (VREG1 - VGS) + VGS$
VRP/N4 5-0 = 101000	$((210R - 144R) / 450R) * (VREG1 - VGS) + VGS$	
VRP/N4 5-0 = 101001	$((210R - 146R) / 450R) * (VREG1 - VGS) + VGS$	
VRP/N4 5-0 = 101010	$((210R - 148R) / 450R) * (VREG1 - VGS) + VGS$	
VRP/N4 5-0 = 101011	$((210R - 150R) / 450R) * (VREG1 - VGS) + VGS$	
VRP/N4 5-0 = 101100	$((210R - 152R) / 450R) * (VREG1 - VGS) + VGS$	
VRP/N4 5-0 = 101101	$((210R - 154R) / 450R) * (VREG1 - VGS) + VGS$	
VRP/N4 5-0 = 101110	$((210R - 156R) / 450R) * (VREG1 - VGS) + VGS$	
VRP/N4 5-0 = 101111	$((210R - 158R) / 450R) * (VREG1 - VGS) + VGS$	
VRP/N4 5-0 = 110000	$((210R - 160R) / 450R) * (VREG1 - VGS) + VGS$	
VRP/N4 5-0 = 110001	$((210R - 162R) / 450R) * (VREG1 - VGS) + VGS$	
VRP/N4 5-0 = 110010	$((210R - 164R) / 450R) * (VREG1 - VGS) + VGS$	
VRP/N4 5-0 = 110011	$((210R - 166R) / 450R) * (VREG1 - VGS) + VGS$	
VRP/N4 5-0 = 110100	$((210R - 168R) / 450R) * (VREG1 - VGS) + VGS$	
VRP/N4 5-0 = 110101	$((210R - 170R) / 450R) * (VREG1 - VGS) + VGS$	
VRP/N4 5-0 = 110110	$((210R - 172R) / 450R) * (VREG1 - VGS) + VGS$	
VRP/N4 5-0 = 110111	$((210R - 174R) / 450R) * (VREG1 - VGS) + VGS$	
VRP/N4 5-0 = 111000	$((210R - 176R) / 450R) * (VREG1 - VGS) + VGS$	
VRP/N4 5-0 = 111001	$((210R - 178R) / 450R) * (VREG1 - VGS) + VGS$	
VRP/N4 5-0 = 111010	$((210R - 180R) / 450R) * (VREG1 - VGS) + VGS$	
VRP/N4 5-0 = 111011	$((210R - 182R) / 450R) * (VREG1 - VGS) + VGS$	
VRP/N4 5-0 = 111100	$((210R - 184R) / 450R) * (VREG1 - VGS) + VGS$	
VRP/N4 5-0 = 111101	$((210R - 186R) / 450R) * (VREG1 - VGS) + VGS$	
VRP/N4 5-0 = 111110	$((210R - 188R) / 450R) * (VREG1 - VGS) + VGS$	
VRP/N4 5-0 = 111111	$((210R - 190R) / 450R) * (VREG1 - VGS) + VGS$	

Table 5.19: VinP/N 11

Reference Voltage	Macro Adjustment Value	VinP/N12 Formula
	VRP/N5 5-0 = 000000	$(210R / 450R) * (VREG1 - VGS) + VGS$
	VRP/N5 5-0 = 000001	$((208R - 4R) / 450R) * (VREG1 - VGS) + VGS$
	VRP/N5 5-0 = 000010	$((208R - 8R) / 450R) * (VREG1 - VGS) + VGS$
	VRP/N5 5-0 = 000011	$((208R - 12R) / 450R) * (VREG1 - VGS) + VGS$
	VRP/N5 5-0 = 000100	$((208R - 16R) / 450R) * (VREG1 - VGS) + VGS$
	VRP/N5 5-0 = 000101	$((208R - 20R) / 450R) * (VREG1 - VGS) + VGS$
	VRP/N5 5-0 = 000110	$((208R - 24R) / 450R) * (VREG1 - VGS) + VGS$
	VRP/N5 5-0 = 000111	$((208R - 28R) / 450R) * (VREG1 - VGS) + VGS$
	VRP/N5 5-0 = 001000	$((208R - 32R) / 450R) * (VREG1 - VGS) + VGS$
	VRP/N5 5-0 = 001001	$((208R - 36R) / 450R) * (VREG1 - VGS) + VGS$
	VRP/N5 5-0 = 001010	$((208R - 40R) / 450R) * (VREG1 - VGS) + VGS$
	VRP/N5 5-0 = 001011	$((208R - 44R) / 450R) * (VREG1 - VGS) + VGS$
	VRP/N5 5-0 = 001100	$((208R - 48R) / 450R) * (VREG1 - VGS) + VGS$
	VRP/N5 5-0 = 001101	$((208R - 52R) / 450R) * (VREG1 - VGS) + VGS$
	VRP/N5 5-0 = 001110	$((208R - 56R) / 450R) * (VREG1 - VGS) + VGS$
	VRP/N5 5-0 = 001111	$((208R - 60R) / 450R) * (VREG1 - VGS) + VGS$
	VRP/N5 5-0 = 010000	$((208R - 64R) / 450R) * (VREG1 - VGS) + VGS$
	VRP/N5 5-0 = 010001	$((208R - 68R) / 450R) * (VREG1 - VGS) + VGS$
	VRP/N5 5-0 = 010010	$((208R - 72R) / 450R) * (VREG1 - VGS) + VGS$
	VRP/N5 5-0 = 010011	$((208R - 76R) / 450R) * (VREG1 - VGS) + VGS$
	VRP/N5 5-0 = 010100	$((208R - 80R) / 450R) * (VREG1 - VGS) + VGS$
	VRP/N5 5-0 = 010101	$((208R - 84R) / 450R) * (VREG1 - VGS) + VGS$
	VRP/N5 5-0 = 010110	$((208R - 88R) / 450R) * (VREG1 - VGS) + VGS$
	VRP/N5 5-0 = 010111	$((208R - 92R) / 450R) * (VREG1 - VGS) + VGS$
	VRP/N5 5-0 = 011000	$((208R - 96R) / 450R) * (VREG1 - VGS) + VGS$
	VRP/N5 5-0 = 011001	$((208R - 100R) / 450R) * (VREG1 - VGS) + VGS$
	VRP/N5 5-0 = 011010	$((208R - 104R) / 450R) * (VREG1 - VGS) + VGS$
	VRP/N5 5-0 = 011011	$((208R - 108R) / 450R) * (VREG1 - VGS) + VGS$
	VRP/N5 5-0 = 011100	$((208R - 112R) / 450R) * (VREG1 - VGS) + VGS$
	VRP/N5 5-0 = 011101	$((208R - 116R) / 450R) * (VREG1 - VGS) + VGS$
	VRP/N5 5-0 = 011110	$((208R - 120R) / 450R) * (VREG1 - VGS) + VGS$
	VRP/N5 5-0 = 011111	$((208R - 124R) / 450R) * (VREG1 - VGS) + VGS$
VinP/N12	VRP/N5 5-0 = 100000	$((208R - 128R) / 450R) * (VREG1 - VGS) + VGS$
	VRP/N5 5-0 = 100001	$((208R - 130R) / 450R) * (VREG1 - VGS) + VGS$
	VRP/N5 5-0 = 100010	$((208R - 132R) / 450R) * (VREG1 - VGS) + VGS$
	VRP/N5 5-0 = 100011	$((208R - 134R) / 450R) * (VREG1 - VGS) + VGS$
	VRP/N5 5-0 = 100100	$((208R - 136R) / 450R) * (VREG1 - VGS) + VGS$
	VRP/N5 5-0 = 100101	$((208R - 138R) / 450R) * (VREG1 - VGS) + VGS$
	VRP/N5 5-0 = 100110	$((208R - 140R) / 450R) * (VREG1 - VGS) + VGS$
	VRP/N5 5-0 = 100111	$((208R - 142R) / 450R) * (VREG1 - VGS) + VGS$
	VRP/N5 5-0 = 101000	$((208R - 144R) / 450R) * (VREG1 - VGS) + VGS$
	VRP/N5 5-0 = 101001	$((208R - 146R) / 450R) * (VREG1 - VGS) + VGS$
	VRP/N5 5-0 = 101010	$((208R - 148R) / 450R) * (VREG1 - VGS) + VGS$
	VRP/N5 5-0 = 101011	$((208R - 150R) / 450R) * (VREG1 - VGS) + VGS$
	VRP/N5 5-0 = 101100	$((208R - 152R) / 450R) * (VREG1 - VGS) + VGS$
	VRP/N5 5-0 = 101101	$((208R - 154R) / 450R) * (VREG1 - VGS) + VGS$
	VRP/N5 5-0 = 101110	$((208R - 156R) / 450R) * (VREG1 - VGS) + VGS$
	VRP/N5 5-0 = 101111	$((208R - 158R) / 450R) * (VREG1 - VGS) + VGS$
	VRP/N5 5-0 = 110000	$((208R - 160R) / 450R) * (VREG1 - VGS) + VGS$
	VRP/N5 5-0 = 110001	$((208R - 162R) / 450R) * (VREG1 - VGS) + VGS$
	VRP/N5 5-0 = 110010	$((208R - 164R) / 450R) * (VREG1 - VGS) + VGS$
	VRP/N5 5-0 = 110011	$((208R - 166R) / 450R) * (VREG1 - VGS) + VGS$
	VRP/N5 5-0 = 110100	$((208R - 168R) / 450R) * (VREG1 - VGS) + VGS$
	VRP/N5 5-0 = 110101	$((208R - 170R) / 450R) * (VREG1 - VGS) + VGS$
	VRP/N5 5-0 = 110110	$((208R - 172R) / 450R) * (VREG1 - VGS) + VGS$
	VRP/N5 5-0 = 110111	$((208R - 174R) / 450R) * (VREG1 - VGS) + VGS$
	VRP/N5 5-0 = 111000	$((208R - 176R) / 450R) * (VREG1 - VGS) + VGS$
	VRP/N5 5-0 = 111001	$((208R - 178R) / 450R) * (VREG1 - VGS) + VGS$
	VRP/N5 5-0 = 111010	$((208R - 180R) / 450R) * (VREG1 - VGS) + VGS$
	VRP/N5 5-0 = 111011	$((208R - 182R) / 450R) * (VREG1 - VGS) + VGS$
	VRP/N5 5-0 = 111100	$((208R - 184R) / 450R) * (VREG1 - VGS) + VGS$
	VRP/N5 5-0 = 111101	$((208R - 186R) / 450R) * (VREG1 - VGS) + VGS$
	VRP/N5 5-0 = 111110	$((208R - 188R) / 450R) * (VREG1 - VGS) + VGS$
	VRP/N5 5-0 = 111111	VGS

Table 5.20: VinP/N 12

Reference Voltage	Macro Adjustment Value	VinP/N4 Formula
VinP/N4	PRP/N0 6-0 = 0000000	$(350R / 450R) (VREG1 - VGS) + VGS$
	PRP/N0 6-0 = 0000001	$((350R - 2R) / 450R) * (VREG1 - VGS) + VGS$
	PRP/N0 6-0 = 0000010	$((350R - 4R) / 450R) * (VREG1 - VGS) + VGS$
	PRP/N0 6-0 = 0000011	$((350R - 6R) / 450R) * (VREG1 - VGS) + VGS$
	PRP/N0 6-0 = 0000100	$((350R - 8R) / 450R) * (VREG1 - VGS) + VGS$
	PRP/N0 6-0 = 0000101	$((350R - 10R) / 450R) * (VREG1 - VGS) + VGS$
	PRP/N0 6-0 = 0000110	$((350R - 12R) / 450R) * (VREG1 - VGS) + VGS$
	PRP/N0 6-0 = 0000111	$((350R - 14R) / 450R) * (VREG1 - VGS) + VGS$
	PRP/N0 6-0 = 0001000	$((350R - 16R) / 450R) * (VREG1 - VGS) + VGS$
	PRP/N0 6-0 = 0001001	$((350R - 18R) / 450R) * (VREG1 - VGS) + VGS$
	PRP/N0 6-0 = 0001010	$((350R - 20R) / 450R) * (VREG1 - VGS) + VGS$
	PRP/N0 6-0 = 0001011	$((350R - 22R) / 450R) * (VREG1 - VGS) + VGS$
	PRP/N0 6-0 = 0001100	$((350R - 24R) / 450R) * (VREG1 - VGS) + VGS$
	PRP/N0 6-0 = 0001101	$((350R - 26R) / 450R) * (VREG1 - VGS) + VGS$
	PRP/N0 6-0 = 0001110	$((350R - 28R) / 450R) * (VREG1 - VGS) + VGS$
	PRP/N0 6-0 = 0001111	$((350R - 30R) / 450R) * (VREG1 - VGS) + VGS$
	PRP/N0 6-0 = 0010000	$((350R - 32R) / 450R) * (VREG1 - VGS) + VGS$
	PRP/N0 6-0 = 0010001	$((350R - 34R) / 450R) * (VREG1 - VGS) + VGS$
	PRP/N0 6-0 = 0010010	$((350R - 36R) / 450R) * (VREG1 - VGS) + VGS$
	PRP/N0 6-0 = 0010011	$((350R - 38R) / 450R) * (VREG1 - VGS) + VGS$
	PRP/N0 6-0 = 0010100	$((350R - 40R) / 450R) * (VREG1 - VGS) + VGS$
	PRP/N0 6-0 = 0010101	$((350R - 42R) / 450R) * (VREG1 - VGS) + VGS$
	PRP/N0 6-0 = 0010110	$((350R - 44R) / 450R) * (VREG1 - VGS) + VGS$
	PRP/N0 6-0 = 0010111	$((350R - 46R) / 450R) * (VREG1 - VGS) + VGS$
	PRP/N0 6-0 = 0011000	$((350R - 48R) / 450R) * (VREG1 - VGS) + VGS$
	PRP/N0 6-0 = 0011001	$((350R - 50R) / 450R) * (VREG1 - VGS) + VGS$
	PRP/N0 6-0 = 0011010	$((350R - 52R) / 450R) * (VREG1 - VGS) + VGS$
	PRP/N0 6-0 = 0011011	$((350R - 54R) / 450R) * (VREG1 - VGS) + VGS$
	PRP/N0 6-0 = 0011100	$((350R - 56R) / 450R) * (VREG1 - VGS) + VGS$
	PRP/N0 6-0 = 0011101	$((350R - 58R) / 450R) * (VREG1 - VGS) + VGS$
	PRP/N0 6-0 = 0011110	$((350R - 60R) / 450R) * (VREG1 - VGS) + VGS$
	PRP/N0 6-0 = 0011111	$((350R - 62R) / 450R) * (VREG1 - VGS) + VGS$
	PRP/N0 6-0 = 0100000	$((350R - 64R) / 450R) * (VREG1 - VGS) + VGS$
	PRP/N0 6-0 = 0100001	$((350R - 66R) / 450R) * (VREG1 - VGS) + VGS$
	PRP/N0 6-0 = 0100010	$((350R - 68R) / 450R) * (VREG1 - VGS) + VGS$
	PRP/N0 6-0 = 0100011	$((350R - 70R) / 450R) * (VREG1 - VGS) + VGS$
	PRP/N0 6-0 = 0100100	$((350R - 72R) / 450R) * (VREG1 - VGS) + VGS$
	PRP/N0 6-0 = 0100101	$((350R - 74R) / 450R) * (VREG1 - VGS) + VGS$
	PRP/N0 6-0 = 0100110	$((350R - 76R) / 450R) * (VREG1 - VGS) + VGS$
	PRP/N0 6-0 = 0100111	$((350R - 78R) / 450R) * (VREG1 - VGS) + VGS$
	PRP/N0 6-0 = 0101000	$((350R - 80R) / 450R) * (VREG1 - VGS) + VGS$
	PRP/N0 6-0 = 0101001	$((350R - 82R) / 450R) * (VREG1 - VGS) + VGS$
	PRP/N0 6-0 = 0101010	$((350R - 84R) / 450R) * (VREG1 - VGS) + VGS$
	PRP/N0 6-0 = 0101011	$((350R - 86R) / 450R) * (VREG1 - VGS) + VGS$
	PRP/N0 6-0 = 0101100	$((350R - 88R) / 450R) * (VREG1 - VGS) + VGS$
	PRP/N0 6-0 = 0101101	$((350R - 90R) / 450R) * (VREG1 - VGS) + VGS$
	PRP/N0 6-0 = 0101110	$((350R - 92R) / 450R) * (VREG1 - VGS) + VGS$
	PRP/N0 6-0 = 0101111	$((350R - 94R) / 450R) * (VREG1 - VGS) + VGS$
PRP/N0 6-0 = 0110000	$((350R - 96R) / 450R) * (VREG1 - VGS) + VGS$	
PRP/N0 6-0 = 0110001	$((350R - 98R) / 450R) * (VREG1 - VGS) + VGS$	
PRP/N0 6-0 = 0110010	$((350R - 100R) / 450R) * (VREG1 - VGS) + VGS$	
PRP/N0 6-0 = 0110011	$((350R - 102R) / 450R) * (VREG1 - VGS) + VGS$	
PRP/N0 6-0 = 0110100	$((350R - 104R) / 450R) * (VREG1 - VGS) + VGS$	
PRP/N0 6-0 = 0110101	$((350R - 106R) / 450R) * (VREG1 - VGS) + VGS$	
PRP/N0 6-0 = 0110110	$((350R - 108R) / 450R) * (VREG1 - VGS) + VGS$	
PRP/N0 6-0 = 0110111	$((350R - 110R) / 450R) * (VREG1 - VGS) + VGS$	
PRP/N0 6-0 = 0111000	$((350R - 112R) / 450R) * (VREG1 - VGS) + VGS$	
PRP/N0 6-0 = 0111001	$((350R - 114R) / 450R) * (VREG1 - VGS) + VGS$	
PRP/N0 6-0 = 0111010	$((350R - 116R) / 450R) * (VREG1 - VGS) + VGS$	
PRP/N0 6-0 = 0111011	$((350R - 118R) / 450R) * (VREG1 - VGS) + VGS$	
PRP/N0 6-0 = 0111100	$((350R - 120R) / 450R) * (VREG1 - VGS) + VGS$	
PRP/N0 6-0 = 0111101	$((350R - 122R) / 450R) * (VREG1 - VGS) + VGS$	
PRP/N0 6-0 = 0111110	$((350R - 124R) / 450R) * (VREG1 - VGS) + VGS$	
PRP/N0 6-0 = 0111111	$((350R - 126R) / 450R) * (VREG1 - VGS) + VGS$	
PRP/N0 6-0 = 1000000	$((350R - 128R) / 450R) * (VREG1 - VGS) + VGS$	
PRP/N0 6-0 = 1000001	$((350R - 130R) / 450R) * (VREG1 - VGS) + VGS$	
PRP/N0 6-0 = 1000010	$((350R - 132R) / 450R) * (VREG1 - VGS) + VGS$	
PRP/N0 6-0 = 1000011	$((350R - 134R) / 450R) * (VREG1 - VGS) + VGS$	
PRP/N0 6-0 = 1000100	$((350R - 136R) / 450R) * (VREG1 - VGS) + VGS$	

Reference Voltage	Macro Adjustment Value	VinP/N4 Formula
	PRP/N0 6-0 = 1000101	$((350R - 138R) / 450R) * (VREG1 - VGS) + VGS$
	PRP/N0 6-0 = 1000110	$((350R - 140R) / 450R) * (VREG1 - VGS) + VGS$
	PRP/N0 6-0 = 1000111	$((350R - 142R) / 450R) * (VREG1 - VGS) + VGS$
	PRP/N0 6-0 = 1001000	$((350R - 144R) / 450R) * (VREG1 - VGS) + VGS$
	PRP/N0 6-0 = 1001001	$((350R - 146R) / 450R) * (VREG1 - VGS) + VGS$
	PRP/N0 6-0 = 1001010	$((350R - 148R) / 450R) * (VREG1 - VGS) + VGS$
	PRP/N0 6-0 = 1001011	$((350R - 150R) / 450R) * (VREG1 - VGS) + VGS$
	PRP/N0 6-0 = 1001100	$((350R - 152R) / 450R) * (VREG1 - VGS) + VGS$
	PRP/N0 6-0 = 1001101	$((350R - 154R) / 450R) * (VREG1 - VGS) + VGS$
	PRP/N0 6-0 = 1001110	$((350R - 156R) / 450R) * (VREG1 - VGS) + VGS$
	PRP/N0 6-0 = 1001111	$((350R - 158R) / 450R) * (VREG1 - VGS) + VGS$
	PRP/N0 6-0 = 1010000	$((350R - 160R) / 450R) * (VREG1 - VGS) + VGS$
	PRP/N0 6-0 = 1010001	$((350R - 162R) / 450R) * (VREG1 - VGS) + VGS$
	PRP/N0 6-0 = 1010010	$((350R - 164R) / 450R) * (VREG1 - VGS) + VGS$
	PRP/N0 6-0 = 1010011	$((350R - 166R) / 450R) * (VREG1 - VGS) + VGS$
	PRP/N0 6-0 = 1010100	$((350R - 168R) / 450R) * (VREG1 - VGS) + VGS$
	PRP/N0 6-0 = 1010101	$((350R - 170R) / 450R) * (VREG1 - VGS) + VGS$
	PRP/N0 6-0 = 1010110	$((350R - 172R) / 450R) * (VREG1 - VGS) + VGS$
	PRP/N0 6-0 = 1010111	$((350R - 174R) / 450R) * (VREG1 - VGS) + VGS$
	PRP/N0 6-0 = 1011000	$((350R - 176R) / 450R) * (VREG1 - VGS) + VGS$
	PRP/N0 6-0 = 1011001	$((350R - 178R) / 450R) * (VREG1 - VGS) + VGS$
	PRP/N0 6-0 = 1011010	$((350R - 180R) / 450R) * (VREG1 - VGS) + VGS$
	PRP/N0 6-0 = 1011011	$((350R - 182R) / 450R) * (VREG1 - VGS) + VGS$
	PRP/N0 6-0 = 1011100	$((350R - 184R) / 450R) * (VREG1 - VGS) + VGS$
	PRP/N0 6-0 = 1011101	$((350R - 186R) / 450R) * (VREG1 - VGS) + VGS$
	PRP/N0 6-0 = 1011110	$((350R - 188R) / 450R) * (VREG1 - VGS) + VGS$
	PRP/N0 6-0 = 1011111	$((350R - 190R) / 450R) * (VREG1 - VGS) + VGS$
	PRP/N0 6-0 = 1100000	$((350R - 192R) / 450R) * (VREG1 - VGS) + VGS$
	PRP/N0 6-0 = 1100001	$((350R - 194R) / 450R) * (VREG1 - VGS) + VGS$
	PRP/N0 6-0 = 1100010	$((350R - 196R) / 450R) * (VREG1 - VGS) + VGS$
	PRP/N0 6-0 = 1100011	$((350R - 198R) / 450R) * (VREG1 - VGS) + VGS$
	PRP/N0 6-0 = 1100100	$((350R - 200R) / 450R) * (VREG1 - VGS) + VGS$
	PRP/N0 6-0 = 1100101	$((350R - 202R) / 450R) * (VREG1 - VGS) + VGS$
	PRP/N0 6-0 = 1100110	$((350R - 204R) / 450R) * (VREG1 - VGS) + VGS$
	PRP/N0 6-0 = 1100111	$((350R - 206R) / 450R) * (VREG1 - VGS) + VGS$
	PRP/N0 6-0 = 1101000	$((350R - 208R) / 450R) * (VREG1 - VGS) + VGS$
	PRP/N0 6-0 = 1101001	$((350R - 210R) / 450R) * (VREG1 - VGS) + VGS$
	PRP/N0 6-0 = 1101010	$((350R - 212R) / 450R) * (VREG1 - VGS) + VGS$
	PRP/N0 6-0 = 1101011	$((350R - 214R) / 450R) * (VREG1 - VGS) + VGS$
	PRP/N0 6-0 = 1101100	$((350R - 216R) / 450R) * (VREG1 - VGS) + VGS$
	PRP/N0 6-0 = 1101101	$((350R - 218R) / 450R) * (VREG1 - VGS) + VGS$
	PRP/N0 6-0 = 1101110	$((350R - 220R) / 450R) * (VREG1 - VGS) + VGS$
	PRP/N0 6-0 = 1101111	$((350R - 222R) / 450R) * (VREG1 - VGS) + VGS$
	PRP/N0 6-0 = 1110000	$((350R - 224R) / 450R) * (VREG1 - VGS) + VGS$
	PRP/N0 6-0 = 1110001	$((350R - 226R) / 450R) * (VREG1 - VGS) + VGS$
	PRP/N0 6-0 = 1110010	$((350R - 228R) / 450R) * (VREG1 - VGS) + VGS$
	PRP/N0 6-0 = 1110011	$((350R - 230R) / 450R) * (VREG1 - VGS) + VGS$
	PRP/N0 6-0 = 1110100	$((350R - 232R) / 450R) * (VREG1 - VGS) + VGS$
	PRP/N0 6-0 = 1110101	$((350R - 234R) / 450R) * (VREG1 - VGS) + VGS$
	PRP/N0 6-0 = 1110110	$((350R - 236R) / 450R) * (VREG1 - VGS) + VGS$
	PRP/N0 6-0 = 1110111	$((350R - 238R) / 450R) * (VREG1 - VGS) + VGS$
	PRP/N0 6-0 = 1111000	$((350R - 240R) / 450R) * (VREG1 - VGS) + VGS$
	PRP/N0 6-0 = 1111001	$((350R - 243R) / 450R) * (VREG1 - VGS) + VGS$
	PRP/N0 6-0 = 1111010	$((350R - 244R) / 450R) * (VREG1 - VGS) + VGS$
	PRP/N0 6-0 = 1111011	$((350R - 246R) / 450R) * (VREG1 - VGS) + VGS$
	PRP/N0 6-0 = 1111100	$((350R - 248R) / 450R) * (VREG1 - VGS) + VGS$
	PRP/N0 6-0 = 1111101	$((350R - 250R) / 450R) * (VREG1 - VGS) + VGS$
	PRP/N0 6-0 = 1111110	$((350R - 252R) / 450R) * (VREG1 - VGS) + VGS$
	PRP/N0 6-0 = 1111111	$((350R - 254R) / 450R) * (VREG1 - VGS) + VGS$

Table 5.21: VinP/N4

Reference Voltage	Macro Adjustment Value	VinP/N8 Formula
VinP/N8	PRP/N1 6-0 = 0000000	$(354R / 450R) (VREG1 - VGS) + VGS$
	PRP/N1 6-0 = 0000001	$((354R - 2R) / 450R) * (VREG1 - VGS) + VGS$
	PRP/N1 6-0 = 0000010	$((354R - 4R) / 450R) * (VREG1 - VGS) + VGS$
	PRP/N1 6-0 = 0000011	$((354R - 6R) / 450R) * (VREG1 - VGS) + VGS$
	PRP/N1 6-0 = 0000100	$((354R - 8R) / 450R) * (VREG1 - VGS) + VGS$
	PRP/N1 6-0 = 0000101	$((354R - 10R) / 450R) * (VREG1 - VGS) + VGS$
	PRP/N1 6-0 = 0000110	$((354R - 12R) / 450R) * (VREG1 - VGS) + VGS$
	PRP/N1 6-0 = 0000111	$((354R - 14R) / 450R) * (VREG1 - VGS) + VGS$
	PRP/N1 6-0 = 0001000	$((354R - 16R) / 450R) * (VREG1 - VGS) + VGS$
	PRP/N1 6-0 = 0001001	$((354R - 18R) / 450R) * (VREG1 - VGS) + VGS$
	PRP/N1 6-0 = 0001010	$((354R - 20R) / 450R) * (VREG1 - VGS) + VGS$
	PRP/N1 6-0 = 0001011	$((354R - 22R) / 450R) * (VREG1 - VGS) + VGS$
	PRP/N1 6-0 = 0001100	$((354R - 24R) / 450R) * (VREG1 - VGS) + VGS$
	PRP/N1 6-0 = 0001101	$((354R - 26R) / 450R) * (VREG1 - VGS) + VGS$
	PRP/N1 6-0 = 0001110	$((354R - 28R) / 450R) * (VREG1 - VGS) + VGS$
	PRP/N1 6-0 = 0001111	$((354R - 30R) / 450R) * (VREG1 - VGS) + VGS$
	PRP/N1 6-0 = 0010000	$((354R - 32R) / 450R) * (VREG1 - VGS) + VGS$
	PRP/N1 6-0 = 0010001	$((354R - 34R) / 450R) * (VREG1 - VGS) + VGS$
	PRP/N1 6-0 = 0010010	$((354R - 36R) / 450R) * (VREG1 - VGS) + VGS$
	PRP/N1 6-0 = 0010011	$((354R - 38R) / 450R) * (VREG1 - VGS) + VGS$
	PRP/N1 6-0 = 0010100	$((354R - 40R) / 450R) * (VREG1 - VGS) + VGS$
	PRP/N1 6-0 = 0010101	$((354R - 42R) / 450R) * (VREG1 - VGS) + VGS$
	PRP/N1 6-0 = 0010110	$((354R - 44R) / 450R) * (VREG1 - VGS) + VGS$
	PRP/N1 6-0 = 0010111	$((354R - 46R) / 450R) * (VREG1 - VGS) + VGS$
	PRP/N1 6-0 = 0011000	$((354R - 48R) / 450R) * (VREG1 - VGS) + VGS$
	PRP/N1 6-0 = 0011001	$((354R - 50R) / 450R) * (VREG1 - VGS) + VGS$
	PRP/N1 6-0 = 0011010	$((354R - 52R) / 450R) * (VREG1 - VGS) + VGS$
	PRP/N1 6-0 = 0011011	$((354R - 54R) / 450R) * (VREG1 - VGS) + VGS$
	PRP/N1 6-0 = 0011100	$((354R - 56R) / 450R) * (VREG1 - VGS) + VGS$
	PRP/N1 6-0 = 0011101	$((354R - 58R) / 450R) * (VREG1 - VGS) + VGS$
	PRP/N1 6-0 = 0011110	$((354R - 60R) / 450R) * (VREG1 - VGS) + VGS$
	PRP/N1 6-0 = 0011111	$((354R - 62R) / 450R) * (VREG1 - VGS) + VGS$
	PRP/N1 6-0 = 0100000	$((354R - 64R) / 450R) * (VREG1 - VGS) + VGS$
	PRP/N1 6-0 = 0100001	$((354R - 66R) / 450R) * (VREG1 - VGS) + VGS$
	PRP/N1 6-0 = 0100010	$((354R - 68R) / 450R) * (VREG1 - VGS) + VGS$
	PRP/N1 6-0 = 0100011	$((354R - 70R) / 450R) * (VREG1 - VGS) + VGS$
	PRP/N1 6-0 = 0100100	$((354R - 72R) / 450R) * (VREG1 - VGS) + VGS$
	PRP/N1 6-0 = 0100101	$((354R - 74R) / 450R) * (VREG1 - VGS) + VGS$
	PRP/N1 6-0 = 0100110	$((354R - 76R) / 450R) * (VREG1 - VGS) + VGS$
	PRP/N1 6-0 = 0100111	$((354R - 78R) / 450R) * (VREG1 - VGS) + VGS$
	PRP/N1 6-0 = 0101000	$((354R - 80R) / 450R) * (VREG1 - VGS) + VGS$
	PRP/N1 6-0 = 0101001	$((354R - 82R) / 450R) * (VREG1 - VGS) + VGS$
	PRP/N1 6-0 = 0101010	$((354R - 84R) / 450R) * (VREG1 - VGS) + VGS$
	PRP/N1 6-0 = 0101011	$((354R - 86R) / 450R) * (VREG1 - VGS) + VGS$
	PRP/N1 6-0 = 0101100	$((354R - 88R) / 450R) * (VREG1 - VGS) + VGS$
	PRP/N1 6-0 = 0101101	$((354R - 90R) / 450R) * (VREG1 - VGS) + VGS$
	PRP/N1 6-0 = 0101110	$((354R - 92R) / 450R) * (VREG1 - VGS) + VGS$
	PRP/N1 6-0 = 0101111	$((354R - 94R) / 450R) * (VREG1 - VGS) + VGS$
PRP/N1 6-0 = 0110000	$((354R - 96R) / 450R) * (VREG1 - VGS) + VGS$	
PRP/N1 6-0 = 0110001	$((354R - 98R) / 450R) * (VREG1 - VGS) + VGS$	
PRP/N1 6-0 = 0110010	$((354R - 100R) / 450R) * (VREG1 - VGS) + VGS$	
PRP/N1 6-0 = 0110011	$((354R - 102R) / 450R) * (VREG1 - VGS) + VGS$	
PRP/N1 6-0 = 0110100	$((354R - 104R) / 450R) * (VREG1 - VGS) + VGS$	
PRP/N1 6-0 = 0110101	$((354R - 106R) / 450R) * (VREG1 - VGS) + VGS$	
PRP/N1 6-0 = 0110110	$((354R - 108R) / 450R) * (VREG1 - VGS) + VGS$	
PRP/N1 6-0 = 0110111	$((354R - 110R) / 450R) * (VREG1 - VGS) + VGS$	
PRP/N1 6-0 = 0111000	$((354R - 112R) / 450R) * (VREG1 - VGS) + VGS$	
PRP/N1 6-0 = 0111001	$((354R - 114R) / 450R) * (VREG1 - VGS) + VGS$	
PRP/N1 6-0 = 0111010	$((354R - 116R) / 450R) * (VREG1 - VGS) + VGS$	
PRP/N1 6-0 = 0111011	$((354R - 118R) / 450R) * (VREG1 - VGS) + VGS$	
PRP/N1 6-0 = 0111100	$((354R - 120R) / 450R) * (VREG1 - VGS) + VGS$	
PRP/N1 6-0 = 0111101	$((354R - 122R) / 450R) * (VREG1 - VGS) + VGS$	
PRP/N1 6-0 = 0111110	$((354R - 124R) / 450R) * (VREG1 - VGS) + VGS$	
PRP/N1 6-0 = 0111111	$((354R - 126R) / 450R) * (VREG1 - VGS) + VGS$	
PRP/N1 6-0 = 1000000	$((354R - 128R) / 450R) * (VREG1 - VGS) + VGS$	
PRP/N1 6-0 = 1000001	$((354R - 130R) / 450R) * (VREG1 - VGS) + VGS$	
PRP/N1 6-0 = 1000010	$((354R - 132R) / 450R) * (VREG1 - VGS) + VGS$	
PRP/N1 6-0 = 1000011	$((354R - 134R) / 450R) * (VREG1 - VGS) + VGS$	
PRP/N1 6-0 = 1000100	$((354R - 136R) / 450R) * (VREG1 - VGS) + VGS$	



Reference Voltage	Macro Adjustment Value	VinP/N8 Formula
	PRP/N1 6-0 = 1000101	$((354R - 138R) / 450R) * (VREG1 - VGS) + VGS$
	PRP/N1 6-0 = 1000110	$((354R - 140R) / 450R) * (VREG1 - VGS) + VGS$
	PRP/N1 6-0 = 1000111	$((354R - 142R) / 450R) * (VREG1 - VGS) + VGS$
	PRP/N1 6-0 = 1001000	$((354R - 144R) / 450R) * (VREG1 - VGS) + VGS$
	PRP/N1 6-0 = 1001001	$((354R - 146R) / 450R) * (VREG1 - VGS) + VGS$
	PRP/N1 6-0 = 1001010	$((354R - 148R) / 450R) * (VREG1 - VGS) + VGS$
	PRP/N1 6-0 = 1001011	$((354R - 150R) / 450R) * (VREG1 - VGS) + VGS$
	PRP/N1 6-0 = 1001100	$((354R - 152R) / 450R) * (VREG1 - VGS) + VGS$
	PRP/N1 6-0 = 1001101	$((354R - 154R) / 450R) * (VREG1 - VGS) + VGS$
	PRP/N1 6-0 = 1001110	$((354R - 156R) / 450R) * (VREG1 - VGS) + VGS$
	PRP/N1 6-0 = 1001111	$((354R - 158R) / 450R) * (VREG1 - VGS) + VGS$
	PRP/N1 6-0 = 1010000	$((354R - 160R) / 450R) * (VREG1 - VGS) + VGS$
	PRP/N1 6-0 = 1010001	$((354R - 162R) / 450R) * (VREG1 - VGS) + VGS$
	PRP/N1 6-0 = 1010010	$((354R - 164R) / 450R) * (VREG1 - VGS) + VGS$
	PRP/N1 6-0 = 1010011	$((354R - 166R) / 450R) * (VREG1 - VGS) + VGS$
	PRP/N1 6-0 = 1010100	$((354R - 168R) / 450R) * (VREG1 - VGS) + VGS$
	PRP/N1 6-0 = 1010101	$((354R - 170R) / 450R) * (VREG1 - VGS) + VGS$
	PRP/N1 6-0 = 1010110	$((354R - 172R) / 450R) * (VREG1 - VGS) + VGS$
	PRP/N1 6-0 = 1010111	$((354R - 174R) / 450R) * (VREG1 - VGS) + VGS$
	PRP/N1 6-0 = 1011000	$((354R - 176R) / 450R) * (VREG1 - VGS) + VGS$
	PRP/N1 6-0 = 1011001	$((354R - 178R) / 450R) * (VREG1 - VGS) + VGS$
	PRP/N1 6-0 = 1011010	$((354R - 180R) / 450R) * (VREG1 - VGS) + VGS$
	PRP/N1 6-0 = 1011011	$((354R - 182R) / 450R) * (VREG1 - VGS) + VGS$
	PRP/N1 6-0 = 1011100	$((354R - 184R) / 450R) * (VREG1 - VGS) + VGS$
	PRP/N1 6-0 = 1011101	$((354R - 186R) / 450R) * (VREG1 - VGS) + VGS$
	PRP/N1 6-0 = 1011110	$((354R - 188R) / 450R) * (VREG1 - VGS) + VGS$
	PRP/N1 6-0 = 1011111	$((354R - 190R) / 450R) * (VREG1 - VGS) + VGS$
	PRP/N1 6-0 = 1100000	$((354R - 192R) / 450R) * (VREG1 - VGS) + VGS$
	PRP/N1 6-0 = 1100001	$((354R - 194R) / 450R) * (VREG1 - VGS) + VGS$
	PRP/N1 6-0 = 1100010	$((354R - 196R) / 450R) * (VREG1 - VGS) + VGS$
	PRP/N1 6-0 = 1100011	$((354R - 198R) / 450R) * (VREG1 - VGS) + VGS$
	PRP/N1 6-0 = 1100100	$((354R - 200R) / 450R) * (VREG1 - VGS) + VGS$
	PRP/N1 6-0 = 1100101	$((354R - 202R) / 450R) * (VREG1 - VGS) + VGS$
	PRP/N1 6-0 = 1100110	$((354R - 204R) / 450R) * (VREG1 - VGS) + VGS$
	PRP/N1 6-0 = 1100111	$((354R - 206R) / 450R) * (VREG1 - VGS) + VGS$
	PRP/N1 6-0 = 1101000	$((354R - 208R) / 450R) * (VREG1 - VGS) + VGS$
	PRP/N1 6-0 = 1101001	$((354R - 210R) / 450R) * (VREG1 - VGS) + VGS$
	PRP/N1 6-0 = 1101010	$((354R - 212R) / 450R) * (VREG1 - VGS) + VGS$
	PRP/N1 6-0 = 1101011	$((354R - 214R) / 450R) * (VREG1 - VGS) + VGS$
	PRP/N1 6-0 = 1101100	$((354R - 216R) / 450R) * (VREG1 - VGS) + VGS$
	PRP/N1 6-0 = 1101101	$((354R - 218R) / 450R) * (VREG1 - VGS) + VGS$
	PRP/N1 6-0 = 1101110	$((354R - 220R) / 450R) * (VREG1 - VGS) + VGS$
	PRP/N1 6-0 = 1101111	$((354R - 222R) / 450R) * (VREG1 - VGS) + VGS$
	PRP/N1 6-0 = 1110000	$((354R - 224R) / 450R) * (VREG1 - VGS) + VGS$
	PRP/N1 6-0 = 1110001	$((354R - 226R) / 450R) * (VREG1 - VGS) + VGS$
	PRP/N1 6-0 = 1110010	$((354R - 228R) / 450R) * (VREG1 - VGS) + VGS$
	PRP/N1 6-0 = 1110011	$((354R - 230R) / 450R) * (VREG1 - VGS) + VGS$
	PRP/N1 6-0 = 1110100	$((354R - 232R) / 450R) * (VREG1 - VGS) + VGS$
	PRP/N1 6-0 = 1110101	$((354R - 234R) / 450R) * (VREG1 - VGS) + VGS$
	PRP/N1 6-0 = 1110110	$((354R - 236R) / 450R) * (VREG1 - VGS) + VGS$
	PRP/N1 6-0 = 1110111	$((354R - 238R) / 450R) * (VREG1 - VGS) + VGS$
	PRP/N1 6-0 = 1111000	$((354R - 240R) / 450R) * (VREG1 - VGS) + VGS$
	PRP/N1 6-0 = 1111001	$((354R - 242R) / 450R) * (VREG1 - VGS) + VGS$
	PRP/N1 6-0 = 1111010	$((354R - 244R) / 450R) * (VREG1 - VGS) + VGS$
	PRP/N1 6-0 = 1111011	$((354R - 246R) / 450R) * (VREG1 - VGS) + VGS$
	PRP/N1 6-0 = 1111100	$((354R - 248R) / 450R) * (VREG1 - VGS) + VGS$
	PRP/N1 6-0 = 1111101	$((354R - 250R) / 450R) * (VREG1 - VGS) + VGS$
	PRP/N1 6-0 = 1111110	$((354R - 252R) / 450R) * (VREG1 - VGS) + VGS$
	PRP/N1 6-0 = 1111111	$((354R - 254R) / 450R) * (VREG1 - VGS) + VGS$

Table 5.22: VinP/N 8

Reference Voltage	Macro Adjustment Value	VinP/N3 Formula
VinP/N3	PKP/N0 4-0 = 00000	$(31R / 32R) * (VinP/N2 - VinP/N4) + VinP/N4$
	PKP/N0 4-0 = 00001	$((31R - 1R) / 32R) * (VinP/N2 - VinP/N4) + VinP/N4$
	PKP/N0 4-0 = 00010	$((31R - 2R) / 32R) * (VinP/N2 - VinP/N4) + VinP/N4$
	PKP/N0 4-0 = 00011	$((31R - 3R) / 32R) * (VinP/N2 - VinP/N4) + VinP/N4$
	PKP/N0 4-0 = 00100	$((31R - 4R) / 32R) * (VinP/N2 - VinP/N4) + VinP/N4$
	PKP/N0 4-0 = 00101	$((31R - 5R) / 32R) * (VinP/N2 - VinP/N4) + VinP/N4$
	PKP/N0 4-0 = 00110	$((31R - 6R) / 32R) * (VinP/N2 - VinP/N4) + VinP/N4$
	PKP/N0 4-0 = 00111	$((31R - 7R) / 32R) * (VinP/N2 - VinP/N4) + VinP/N4$
	PKP/N0 4-0 = 01000	$((31R - 8R) / 32R) * (VinP/N2 - VinP/N4) + VinP/N4$
	PKP/N0 4-0 = 01001	$((31R - 9R) / 32R) * (VinP/N2 - VinP/N4) + VinP/N4$
	PKP/N0 4-0 = 01010	$((31R - 10R) / 32R) * (VinP/N2 - VinP/N4) + VinP/N4$
	PKP/N0 4-0 = 01011	$((31R - 11R) / 32R) * (VinP/N2 - VinP/N4) + VinP/N4$
	PKP/N0 4-0 = 01100	$((31R - 12R) / 32R) * (VinP/N2 - VinP/N4) + VinP/N4$
	PKP/N0 4-0 = 01101	$((31R - 13R) / 32R) * (VinP/N2 - VinP/N4) + VinP/N4$
	PKP/N0 4-0 = 01110	$((31R - 14R) / 32R) * (VinP/N2 - VinP/N4) + VinP/N4$
	PKP/N0 4-0 = 01111	$((31R - 15R) / 32R) * (VinP/N2 - VinP/N4) + VinP/N4$
	PKP/N0 4-0 = 10000	$((31R - 16R) / 32R) * (VinP/N2 - VinP/N4) + VinP/N4$
	PKP/N0 4-0 = 10001	$((31R - 17R) / 32R) * (VinP/N2 - VinP/N4) + VinP/N4$
	PKP/N0 4-0 = 10010	$((31R - 18R) / 32R) * (VinP/N2 - VinP/N4) + VinP/N4$
	PKP/N0 4-0 = 10011	$((31R - 19R) / 32R) * (VinP/N2 - VinP/N4) + VinP/N4$
	PKP/N0 4-0 = 10100	$((31R - 20R) / 32R) * (VinP/N2 - VinP/N4) + VinP/N4$
	PKP/N0 4-0 = 10101	$((31R - 21R) / 32R) * (VinP/N2 - VinP/N4) + VinP/N4$
	PKP/N0 4-0 = 10110	$((31R - 22R) / 32R) * (VinP/N2 - VinP/N4) + VinP/N4$
	PKP/N0 4-0 = 10111	$((31R - 23R) / 32R) * (VinP/N2 - VinP/N4) + VinP/N4$
	PKP/N0 4-0 = 11000	$((31R - 24R) / 32R) * (VinP/N2 - VinP/N4) + VinP/N4$
	PKP/N0 4-0 = 11001	$((31R - 25R) / 32R) * (VinP/N2 - VinP/N4) + VinP/N4$
	PKP/N0 4-0 = 11010	$((31R - 26R) / 32R) * (VinP/N2 - VinP/N4) + VinP/N4$
	PKP/N0 4-0 = 11011	$((31R - 27R) / 32R) * (VinP/N2 - VinP/N4) + VinP/N4$
	PKP/N0 4-0 = 11100	$((31R - 28R) / 32R) * (VinP/N2 - VinP/N4) + VinP/N4$
	PKP/N0 4-0 = 11101	$((31R - 29R) / 32R) * (VinP/N2 - VinP/N4) + VinP/N4$
PKP/N0 4-0 = 11110	$((31R - 30R) / 32R) * (VinP/N2 - VinP/N4) + VinP/N4$	
PKP/N0 4-0 = 11111	$((31R - 31R) / 32R) * (VinP/N2 - VinP/N4) + VinP/N4$	

Table 5.23: VinP/N 3

Reference Voltage	Macro Adjustment Value	VinP/N5 Formula
VinP/N5	PKP/N1 4-0 = 00000	$(193R / 223R) * (VinP/N4 - VinP/N8) + VinP/N8$
	PKP/N1 4-0 = 00001	$((193R - 3R) / 223R) * (VinP/N4 - VinP/N8) + VinP/N8$
	PKP/N1 4-0 = 00010	$((193R - 6R) / 223R) * (VinP/N4 - VinP/N8) + VinP/N8$
	PKP/N1 4-0 = 00011	$((193R - 9R) / 223R) * (VinP/N4 - VinP/N8) + VinP/N8$
	PKP/N14-0 = 00100	$((193R - 12R) / 223R) * (VinP/N4 - VinP/N8) + VinP/N8$
	PKP/N1 4-0 = 00101	$((193R - 15R) / 223R) * (VinP/N4 - VinP/N8) + VinP/N8$
	PKP/N1 4-0 = 00110	$((193R - 18R) / 223R) * (VinP/N4 - VinP/N8) + VinP/N8$
	PKP/N1 4-0 = 00111	$((193R - 21R) / 223R) * (VinP/N4 - VinP/N8) + VinP/N8$
	PKP/N1 4-0 = 01000	$((193R - 24R) / 223R) * (VinP/N4 - VinP/N8) + VinP/N8$
	PKP/N1 4-0 = 01001	$((193R - 27R) / 223R) * (VinP/N4 - VinP/N8) + VinP/N8$
	PKP/N1 4-0 = 01010	$((193R - 30R) / 223R) * (VinP/N4 - VinP/N8) + VinP/N8$
	PKP/N1 4-0 = 01011	$((193R - 33R) / 223R) * (VinP/N4 - VinP/N8) + VinP/N8$
	PKP/N1 4-0 = 01100	$((193R - 36R) / 223R) * (VinP/N4 - VinP/N8) + VinP/N8$
	PKP/N1 4-0 = 01101	$((193R - 39R) / 223R) * (VinP/N4 - VinP/N8) + VinP/N8$
	PKP/N1 4-0 = 01110	$((193R - 42R) / 223R) * (VinP/N4 - VinP/N8) + VinP/N8$
	PKP/N1 4-0 = 01111	$((193R - 45R) / 223R) * (VinP/N4 - VinP/N8) + VinP/N8$
	PKP/N1 4-0 = 10000	$((193R - 48R) / 223R) * (VinP/N4 - VinP/N8) + VinP/N8$
	PKP/N1 4-0 = 10001	$((193R - 51R) / 223R) * (VinP/N4 - VinP/N8) + VinP/N8$
	PKP/N1 4-0 = 10010	$((193R - 54R) / 223R) * (VinP/N4 - VinP/N8) + VinP/N8$
	PKP/N1 4-0 = 10011	$((193R - 57R) / 223R) * (VinP/N4 - VinP/N8) + VinP/N8$
	PKP/N1 4-0 = 10100	$((193R - 60R) / 223R) * (VinP/N4 - VinP/N8) + VinP/N8$
	PKP/N1 4-0 = 10101	$((193R - 63R) / 223R) * (VinP/N4 - VinP/N8) + VinP/N8$
	PKP/N1 4-0 = 10110	$((193R - 66R) / 223R) * (VinP/N4 - VinP/N8) + VinP/N8$
	PKP/N1 4-0 = 10111	$((193R - 69R) / 223R) * (VinP/N4 - VinP/N8) + VinP/N8$
	PKP/N1 4-0 = 11000	$((193R - 72R) / 223R) * (VinP/N4 - VinP/N8) + VinP/N8$
	PKP/N1 4-0 = 11001	$((193R - 75R) / 223R) * (VinP/N4 - VinP/N8) + VinP/N8$
	PKP/N1 4-0 = 11010	$((193R - 78R) / 223R) * (VinP/N4 - VinP/N8) + VinP/N8$
	PKP/N1 4-0 = 11011	$((193R - 81R) / 223R) * (VinP/N4 - VinP/N8) + VinP/N8$
	PKP/N1 4-0 = 11100	$((193R - 84R) / 223R) * (VinP/N4 - VinP/N8) + VinP/N8$
	PKP/N1 4-0 = 11101	$((193R - 87R) / 223R) * (VinP/N4 - VinP/N8) + VinP/N8$
PKP/N1 4-0 = 11110	$((193R - 90R) / 223R) * (VinP/N4 - VinP/N8) + VinP/N8$	
PKP/N1 4-0 = 11111	$((193R - 93R) / 223R) * (VinP/N4 - VinP/N8) + VinP/N8$	

Table 5.24: VinP/N 5

Reference Voltage	Macro Adjustment Value	VinP/N6 Formula
VinP/N6	PKP/N2 4-0 = 00000	$(158R / 223R) * (VinP/N4 - VinP/N8) + VinP/N8$
	PKP/N2 4-0 = 00001	$((158R - 3R) / 223R) * (VinP/N4 - VinP/N8) + VinP/N8$
	PKP/N2 4-0 = 00010	$((158R - 6R) / 223R) * (VinP/N4 - VinP/N8) + VinP/N8$
	PKP/N2 4-0 = 00011	$((158R - 9R) / 223R) * (VinP/N4 - VinP/N8) + VinP/N8$
	PKP/N2 4-0 = 00100	$((158R - 12R) / 223R) * (VinP/N4 - VinP/N8) + VinP/N8$
	PKP/N2 4-0 = 00101	$((158R - 15R) / 223R) * (VinP/N4 - VinP/N8) + VinP/N8$
	PKP/N2 4-0 = 00110	$((158R - 18R) / 223R) * (VinP/N4 - VinP/N8) + VinP/N8$
	PKP/N2 4-0 = 00111	$((158R - 21R) / 223R) * (VinP/N4 - VinP/N8) + VinP/N8$
	PKP/N2 4-0 = 01000	$((158R - 24R) / 223R) * (VinP/N4 - VinP/N8) + VinP/N8$
	PKP/N2 4-0 = 01001	$((158R - 27R) / 223R) * (VinP/N4 - VinP/N8) + VinP/N8$
	PKP/N2 4-0 = 01010	$((158R - 30R) / 223R) * (VinP/N4 - VinP/N8) + VinP/N8$
	PKP/N2 4-0 = 01011	$((158R - 33R) / 223R) * (VinP/N4 - VinP/N8) + VinP/N8$
	PKP/N2 4-0 = 01100	$((158R - 36R) / 223R) * (VinP/N4 - VinP/N8) + VinP/N8$
	PKP/N2 4-0 = 01101	$((158R - 39R) / 223R) * (VinP/N4 - VinP/N8) + VinP/N8$
	PKP/N2 4-0 = 01110	$((158R - 42R) / 223R) * (VinP/N4 - VinP/N8) + VinP/N8$
	PKP/N2 4-0 = 01111	$((158R - 45R) / 223R) * (VinP/N4 - VinP/N8) + VinP/N8$
	PKP/N2 4-0 = 10000	$((158R - 48R) / 223R) * (VinP/N4 - VinP/N8) + VinP/N8$
	PKP/N2 4-0 = 10001	$((158R - 51R) / 223R) * (VinP/N4 - VinP/N8) + VinP/N8$
	PKP/N2 4-0 = 10010	$((158R - 54R) / 223R) * (VinP/N4 - VinP/N8) + VinP/N8$
	PKP/N2 4-0 = 10011	$((158R - 57R) / 223R) * (VinP/N4 - VinP/N8) + VinP/N8$
	PKP/N2 4-0 = 10100	$((158R - 60R) / 223R) * (VinP/N4 - VinP/N8) + VinP/N8$
	PKP/N2 4-0 = 10101	$((158R - 63R) / 223R) * (VinP/N4 - VinP/N8) + VinP/N8$
	PKP/N2 4-0 = 10110	$((158R - 66R) / 223R) * (VinP/N4 - VinP/N8) + VinP/N8$
	PKP/N2 4-0 = 10111	$((158R - 69R) / 223R) * (VinP/N4 - VinP/N8) + VinP/N8$
	PKP/N2 4-0 = 11000	$((158R - 72R) / 223R) * (VinP/N4 - VinP/N8) + VinP/N8$
	PKP/N2 4-0 = 11001	$((158R - 75R) / 223R) * (VinP/N4 - VinP/N8) + VinP/N8$
	PKP/N2 4-0 = 11010	$((158R - 78R) / 223R) * (VinP/N4 - VinP/N8) + VinP/N8$
	PKP/N2 4-0 = 11011	$((158R - 81R) / 223R) * (VinP/N4 - VinP/N8) + VinP/N8$
	PKP/N2 4-0 = 11100	$((158R - 84R) / 223R) * (VinP/N4 - VinP/N8) + VinP/N8$
	PKP/N2 4-0 = 11101	$((158R - 87R) / 223R) * (VinP/N4 - VinP/N8) + VinP/N8$
PKP/N2 4-0 = 11110	$((158R - 90R) / 223R) * (VinP/N4 - VinP/N8) + VinP/N8$	
PKP/N2 4-0 = 11111	$((158R - 93R) / 223R) * (VinP/N4 - VinP/N8) + VinP/N8$	

Table 5.25: VinP/N 6

Reference Voltage	Macro Adjustment Value	VinP/N7 Formula
VinP/N7	PKP/N3 4-0 = 00000	$(123R / 223R) * (VinP/N4 - VinP/N8) + VinP/N8$
	PKP/N3 4-0 = 00001	$((123R - 3R) / 223R) * (VinP/N4 - VinP/N8) + VinP/N8$
	PKP/N3 4-0 = 00010	$((123R - 6R) / 223R) * (VinP/N4 - VinP/N8) + VinP/N8$
	PKP/N3 4-0 = 00011	$((123R - 9R) / 223R) * (VinP/N4 - VinP/N8) + VinP/N8$
	PKP/N3 4-0 = 00100	$((123R - 12R) / 223R) * (VinP/N4 - VinP/N8) + VinP/N8$
	PKP/N3 4-0 = 00101	$((123R - 15R) / 223R) * (VinP/N4 - VinP/N8) + VinP/N8$
	PKP/N3 4-0 = 00110	$((123R - 18R) / 223R) * (VinP/N4 - VinP/N8) + VinP/N8$
	PKP/N3 4-0 = 00111	$((123R - 21R) / 223R) * (VinP/N4 - VinP/N8) + VinP/N8$
	PKP/N3 4-0 = 01000	$((123R - 24R) / 223R) * (VinP/N4 - VinP/N8) + VinP/N8$
	PKP/N3 4-0 = 01001	$((123R - 27R) / 223R) * (VinP/N4 - VinP/N8) + VinP/N8$
	PKP/N3 4-0 = 01010	$((123R - 30R) / 223R) * (VinP/N4 - VinP/N8) + VinP/N8$
	PKP/N3 4-0 = 01011	$((123R - 33R) / 223R) * (VinP/N4 - VinP/N8) + VinP/N8$
	PKP/N3 4-0 = 01100	$((123R - 36R) / 223R) * (VinP/N4 - VinP/N8) + VinP/N8$
	PKP/N3 4-0 = 01101	$((123R - 39R) / 223R) * (VinP/N4 - VinP/N8) + VinP/N8$
	PKP/N3 4-0 = 01110	$((123R - 42R) / 223R) * (VinP/N4 - VinP/N8) + VinP/N8$
	PKP/N3 4-0 = 01111	$((123R - 45R) / 223R) * (VinP/N4 - VinP/N8) + VinP/N8$
	PKP/N3 4-0 = 10000	$((123R - 48R) / 223R) * (VinP/N4 - VinP/N8) + VinP/N8$
	PKP/N3 4-0 = 10001	$((123R - 51R) / 223R) * (VinP/N4 - VinP/N8) + VinP/N8$
	PKP/N3 4-0 = 10010	$((123R - 54R) / 223R) * (VinP/N4 - VinP/N8) + VinP/N8$
	PKP/N3 4-0 = 10011	$((123R - 57R) / 223R) * (VinP/N4 - VinP/N8) + VinP/N8$
	PKP/N3 4-0 = 10100	$((123R - 60R) / 223R) * (VinP/N4 - VinP/N8) + VinP/N8$
	PKP/N3 4-0 = 10101	$((123R - 63R) / 223R) * (VinP/N4 - VinP/N8) + VinP/N8$
	PKP/N3 4-0 = 10110	$((123R - 66R) / 223R) * (VinP/N4 - VinP/N8) + VinP/N8$
	PKP/N3 4-0 = 10111	$((123R - 69R) / 223R) * (VinP/N4 - VinP/N8) + VinP/N8$
	PKP/N3 4-0 = 11000	$((123R - 72R) / 223R) * (VinP/N4 - VinP/N8) + VinP/N8$
	PKP/N3 4-0 = 11001	$((123R - 75R) / 223R) * (VinP/N4 - VinP/N8) + VinP/N8$
	PKP/N3 4-0 = 11010	$((123R - 78R) / 223R) * (VinP/N4 - VinP/N8) + VinP/N8$
	PKP/N3 4-0 = 11011	$((123R - 81R) / 223R) * (VinP/N4 - VinP/N8) + VinP/N8$
	PKP/N3 4-0 = 11100	$((123R - 84R) / 223R) * (VinP/N4 - VinP/N8) + VinP/N8$
	PKP/N3 4-0 = 11101	$((123R - 87R) / 223R) * (VinP/N4 - VinP/N8) + VinP/N8$
PKP/N3 4-0 = 11110	$((123R - 90R) / 223R) * (VinP/N4 - VinP/N8) + VinP/N8$	
PKP/N3 4-0 = 11111	$((123R - 93R) / 223R) * (VinP/N4 - VinP/N8) + VinP/N8$	

Table 5.26: VinP/N 7

Reference Voltage	Macro Adjustment Value	VinP/N9 Formula
VinP/N9	PKP/N4 4-0 = 00000	$(31R / 32R) * (VinP/N8 - VinP/N10) + VinP/N10$
	PKP/N4 4-0 = 00001	$((31R - 1R) / 32R) * (VinP/N8 - VinP/N10) + VinP/N10$
	PKP/N4 4-0 = 00010	$((31R - 2R) / 32R) * (VinP/N8 - VinP/N10) + VinP/N10$
	PKP/N4 4-0 = 00011	$((31R - 3R) / 32R) * (VinP/N8 - VinP/N10) + VinP/N10$
	PKP/N4 4-0 = 00100	$((31R - 4R) / 32R) * (VinP/N8 - VinP/N10) + VinP/N10$
	PKP/N4 4-0 = 00101	$((31R - 5R) / 32R) * (VinP/N8 - VinP/N10) + VinP/N10$
	PKP/N4 4-0 = 00110	$((31R - 6R) / 32R) * (VinP/N8 - VinP/N10) + VinP/N10$
	PKP/N4 4-0 = 00111	$((31R - 7R) / 32R) * (VinP/N8 - VinP/N10) + VinP/N10$
	PKP/N4 4-0 = 01000	$((31R - 8R) / 32R) * (VinP/N8 - VinP/N10) + VinP/N10$
	PKP/N4 4-0 = 01001	$((31R - 9R) / 32R) * (VinP/N8 - VinP/N10) + VinP/N10$
	PKP/N4 4-0 = 01010	$((31R - 10R) / 32R) * (VinP/N8 - VinP/N10) + VinP/N10$
	PKP/N4 4-0 = 01011	$((31R - 11R) / 32R) * (VinP/N8 - VinP/N10) + VinP/N10$
	PKP/N4 4-0 = 01100	$((31R - 12R) / 32R) * (VinP/N8 - VinP/N10) + VinP/N10$
	PKP/N4 4-0 = 01101	$((31R - 13R) / 32R) * (VinP/N8 - VinP/N10) + VinP/N10$
	PKP/N4 4-0 = 01110	$((31R - 14R) / 32R) * (VinP/N8 - VinP/N10) + VinP/N10$
	PKP/N4 4-0 = 01111	$((31R - 15R) / 32R) * (VinP/N8 - VinP/N10) + VinP/N10$
	PKP/N4 4-0 = 10000	$((31R - 16R) / 32R) * (VinP/N8 - VinP/N10) + VinP/N10$
	PKP/N4 4-0 = 10001	$((31R - 17R) / 32R) * (VinP/N8 - VinP/N10) + VinP/N10$
	PKP/N4 4-0 = 10010	$((31R - 18R) / 32R) * (VinP/N8 - VinP/N10) + VinP/N10$
	PKP/N4 4-0 = 10011	$((31R - 19R) / 32R) * (VinP/N8 - VinP/N10) + VinP/N10$
	PKP/N4 4-0 = 10100	$((31R - 20R) / 32R) * (VinP/N8 - VinP/N10) + VinP/N10$
	PKP/N4 4-0 = 10101	$((31R - 21R) / 32R) * (VinP/N8 - VinP/N10) + VinP/N10$
	PKP/N4 4-0 = 10110	$((31R - 22R) / 32R) * (VinP/N8 - VinP/N10) + VinP/N10$
	PKP/N4 4-0 = 10111	$((31R - 23R) / 32R) * (VinP/N8 - VinP/N10) + VinP/N10$
	PKP/N4 4-0 = 11000	$((31R - 24R) / 32R) * (VinP/N8 - VinP/N10) + VinP/N10$
	PKP/N4 4-0 = 11001	$((31R - 25R) / 32R) * (VinP/N8 - VinP/N10) + VinP/N10$
	PKP/N4 4-0 = 11010	$((31R - 26R) / 32R) * (VinP/N8 - VinP/N10) + VinP/N10$
	PKP/N4 4-0 = 11011	$((31R - 27R) / 32R) * (VinP/N8 - VinP/N10) + VinP/N10$
	PKP/N4 4-0 = 11100	$((31R - 28R) / 32R) * (VinP/N8 - VinP/N10) + VinP/N10$
	PKP/N4 4-0 = 11101	$((31R - 29R) / 32R) * (VinP/N8 - VinP/N10) + VinP/N10$
	PKP/N4 4-0 = 11110	$((31R - 30R) / 32R) * (VinP/N8 - VinP/N10) + VinP/N10$
	PKP/N4 4-0 = 11111	$((31R - 31R) / 32R) * (VinP/N8 - VinP/N10) + VinP/N10$

Table 5.27: VinP/N 9

Grayscale Voltage	Formula	Grayscale Voltage	Formula
V0	VinP0	V32	VinP6
V1	VinP1	V33	VinP7+(VinP6- VinP7)*(20R/22R)
V2	VinP2	V34	VinP7+(VinP6- VinP7)*(18R/22R)
V3	VinP3	V35	VinP7+(VinP6- VinP7)*(16R/22R)
V4	VinP4+ (VinP3 - VinP4)*CT1	V36	VinP7+(VinP6- VinP7)*(14R/22R)
V5	VinP4+ (VinP3 - VinP4)*CT2	V37	VinP7+(VinP6- VinP7)*(12R/22R)
V6	VinP4+ (VinP3 - VinP4)*CT3	V38	VinP7+(VinP6- VinP7)*(10R/22R)
V7	VinP4+ (VinP3 - VinP4)*CT4	V39	VinP7+(VinP6- VinP7)*(8R/22R)
V8	VinP4	V40	VinP7+(VinP6- VinP7)*(6R/22R)
V9	VinP5+(VinP4- VinP5)*(22R/24R)	V41	VinP7+(VinP6- VinP7)*(4R/22R)
V10	VinP5+(VinP4- VinP5)*(20R/24R)	V42	VinP7+(VinP6- VinP7)*(2R/22R)
V11	VinP5+(VinP4- VinP5)*(18R/24R)	V43	VinP7
V12	VinP5+(VinP4- VinP5)*(16R/24R)	V44	VinP8+(VinP7- VinP8)*(22R/24R)
V13	VinP5+(VinP4- VinP5)*(14R/24R)	V45	VinP8+(VinP7- VinP8)*(20R/24R)
V14	VinP5+(VinP4- VinP5)*(12R/24R)	V46	VinP8+(VinP7- VinP8)*(18R/24R)
V15	VinP5+(VinP4- VinP5)*(10R/24R)	V47	VinP8+(VinP7- VinP8)*(16R/24R)
V16	VinP5+(VinP4- VinP5)*(8R/24R)	V48	VinP8+(VinP7- VinP8)*(14R/24R)
V17	VinP5+(VinP4- VinP5)*(6R/24R)	V49	VinP8+(VinP7- VinP8)*(12R/24R)
V18	VinP5+(VinP4- VinP5)*(4R/24R)	V50	VinP8+(VinP7- VinP8)*(10R/24R)
V19	VinP5+(VinP4- VinP5)*(2R/24R)	V51	VinP8+(VinP7- VinP8)*(8R/24R)
V20	VinP5	V52	VinP8+(VinP7- VinP8)*(6R/24R)
V21	VinP6+(VinP5- VinP6)*(22R/24R)	V53	VinP8+(VinP7- VinP8)*(4R/24R)
V22	VinP6+(VinP5- VinP6)*(20R/24R)	V54	VinP8+(VinP7- VinP8)*(2R/24R)
V23	VinP6+(VinP5- VinP6)*(18R/24R)	V55	VinP8
V24	VinP6+(VinP5- VinP6)*(16R/24R)	V56	VinP9+ (VinP8 - VinP9)*CB1
V25	VinP6+(VinP5- VinP6)*(14R/24R)	V57	VinP9+ (VinP8 - VinP9)*CB2
V26	VinP6+(VinP5- VinP6)*(12R/24R)	V58	VinP9+ (VinP8 - VinP9)*CB3
V27	VinP6+(VinP5- VinP6)*(10R/24R)	V59	VinP9+ (VinP8 - VinP9)*CB4
V28	VinP6+(VinP5- VinP6)*(8R/24R)	V60	VinP9
V29	VinP6+(VinP5- VinP6)*(6R/24R)	V61	VinP10
V30	VinP6+(VinP5- VinP6)*(4R/24R)	V62	VinP11
V31	VinP6+(VinP5- VinP6)*(2R/24R)	V63	VinP12

Table 5.28: Voltage calculation formula of 64-grayscale voltage (positive polarity)

CGMP0[1:0]	"00"	"01"	"10"	"11"	CGMP1[1:0]	"00"	"01"	"10"	"11"
CT1	3/4	28/45	26/33	3/4	CB1	4/5	18/19	44/47	17/20
CT2	1/2	4/15	6/11	21/40	CB2	3/5	50/57	40/47	27/40
CT3	7/24	7/45	10/33	13/40	CB3	2/5	15/19	35/47	19/40
CT4	1/8	1/15	1/6	3/20	CB4	1/5	23/57	28/47	1/4

Table 5.29: Voltage calculation formula of grayscale voltage V4~V7 and V56~V59

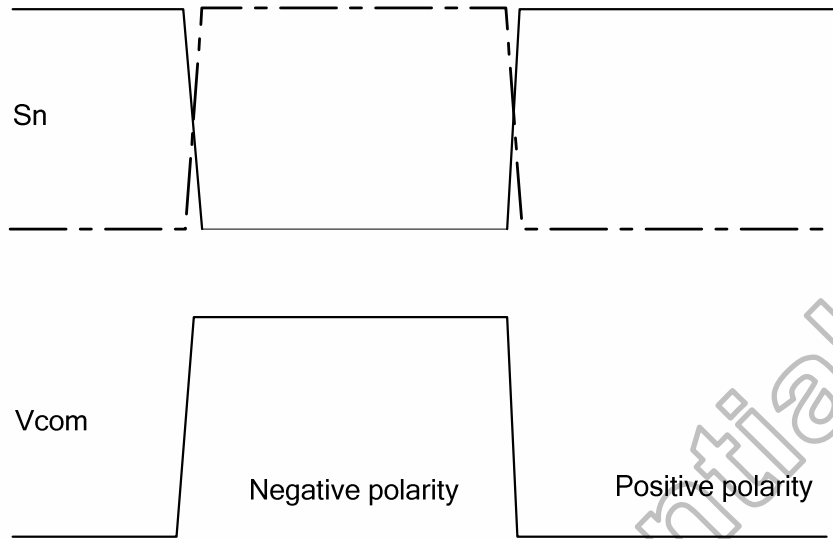
Grayscale Voltage	Formula	Grayscale Voltage	Formula
V63	VinN0	V31	$VinN7+(VinN6- VinN7)*(22R/24R)$
V62	VinN1	V30	$VinN7+(VinN6- VinN7)*(20R/24R)$
V61	VinN2	V29	$VinN7+(VinN6- VinN7)*(18R/24R)$
V60	VinN3	V28	$VinN7+(VinN6- VinN7)*(16R/24R)$
V59	$VinN4+(VinN3- VinN4)*CT1$	V27	$VinN7+(VinN6- VinN7)*(14R/24R)$
V58	$VinN4+(VinN3- VinN4)*CT2$	V26	$VinN7+(VinN6- VinN7)*(12R/24R)$
V57	$VinN4+(VinN3- VinN4)*CT3$	V25	$VinN7+(VinN6- VinN7)*(10R/24R)$
V56	$VinN4+(VinN3- VinN4)*CT4$	V24	$VinN7+(VinN6- VinN7)*(8R/24R)$
V55	VinN4	V23	$VinN7+(VinN6- VinN7)*(6R/24R)$
V54	$VinN5+(VinN4- VinN5)*(22R/24R)$	V22	$VinN7+(VinN6- VinN7)*(4R/24R)$
V53	$VinN5+(VinN4- VinN5)*(20R/24R)$	V21	$VinN7+(VinN6- VinN7)*(2R/24R)$
V52	$VinN5+(VinN4- VinN5)*(18R/24R)$	V20	VinN7
V51	$VinN5+(VinN4- VinN5)*(16R/24R)$	V19	$VinN8+(VinN7- VinN8)*(22R/24R)$
V50	$VinN5+(VinN4- VinN5)*(14R/24R)$	V18	$VinN8+(VinN7- VinN8)*(20R/24R)$
V49	$VinN5+(VinN4- VinN5)*(12R/24R)$	V17	$VinN8+(VinN7- VinN8)*(18R/24R)$
V48	$VinN5+(VinN4- VinN5)*(10R/24R)$	V16	$VinN8+(VinN7- VinN8)*(16R/24R)$
V47	$VinN5+(VinN4- VinN5)*(8R/24R)$	V15	$VinN8+(VinN7- VinN8)*(14R/24R)$
V46	$VinN5+(VinN4- VinN5)*(6R/24R)$	V14	$VinN8+(VinN7- VinN8)*(12R/24R)$
V45	$VinN5+(VinN4- VinN5)*(4R/24R)$	V13	$VinN8+(VinN7- VinN8)*(10R/24R)$
V44	$VinN5+(VinN4- VinN5)*(2R/24R)$	V12	$VinN8+(VinN7- VinN8)*(8R/24R)$
V43	VinN5	V11	$VinN8+(VinN7- VinN8)*(6R/24R)$
V42	$VinN6+(VinN5- VinN6)*(20R/22R)$	V10	$VinN8+(VinN7- VinN8)*(4R/24R)$
V41	$VinN6+(VinN5- VinN6)*(18R/22R)$	V9	$VinN8+(VinN7- VinN8)*(2R/24R)$
V40	$VinN6+(VinN5- VinN6)*(16R/22R)$	V8	VinN8
V39	$VinN6+(VinN5- VinN6)*(14R/22R)$	V7	$VinN9+(VinN8- VinN9)*CB1$
V38	$VinN6+(VinN5- VinN6)*(12R/22R)$	V6	$VinN9+(VinN8- VinN9)*CB2$
V37	$VinN6+(VinN5- VinN6)*(10R/22R)$	V5	$VinN9+(VinN8- VinN9)*CB3$
V36	$VinN6+(VinN5- VinN6)*(8R/22R)$	V4	$VinN9+(VinN8- VinN9)*CB4$
V35	$VinN6+(VinN5- VinN6)*(6R/22R)$	V3	VinN9
V34	$VinN6+(VinN5- VinN6)*(4R/22R)$	V2	VinN10
V33	$VinN6+(VinN5- VinN6)*(2R/22R)$	V1	VinN11
V32	VinN6	V0	VinN12

Table 5.30: Voltage calculation formula of 64-grayscale voltage (negative polarity)

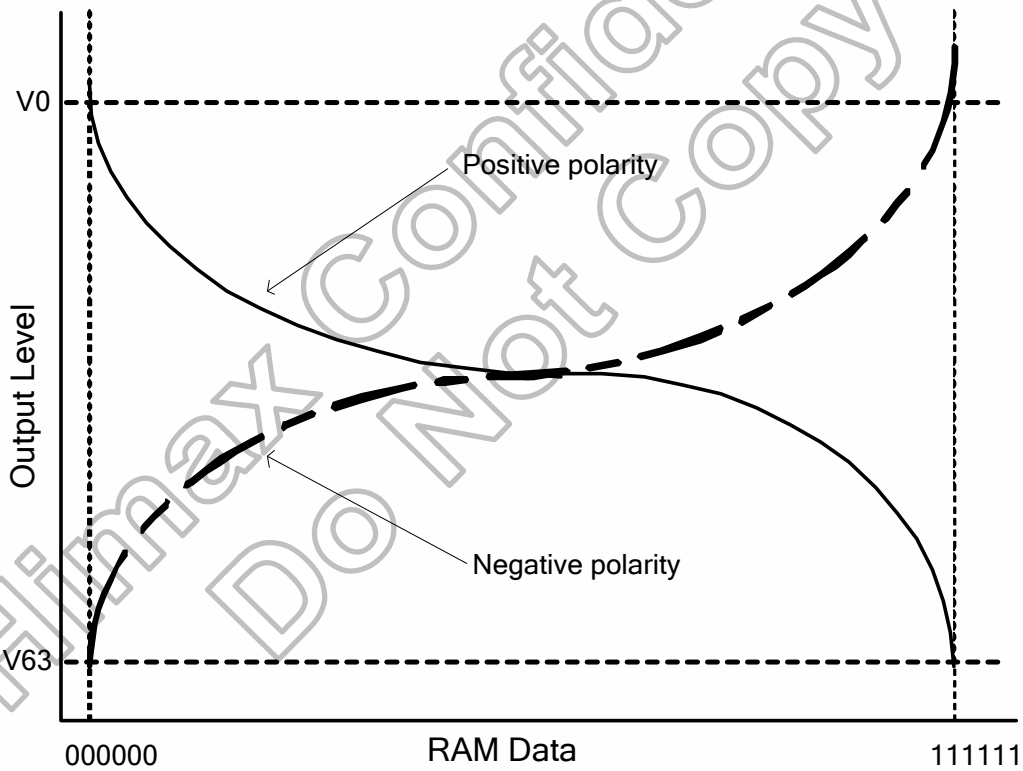
CGMN1[1:0]	“00”	“01”	“10”	“11”	CGMN0[1:0]	“00”	“01”	“10”	“11”
CT1	4/5	34/57	19/47	3/4	CB1	7/8	14/15	5/6	17/20
CT2	3/5	4/19	12/47	21/40	CB2	17/24	38/45	23/33	27/40
CT3	2/5	7/57	7/47	13/40	CB3	1/2	11/15	5/11	19/40
CT4	1/5	1/19	3/47	3/20	CB4	1/4	17/45	7/33	1/4

Table 5.31: Voltage calculation formula of grayscale voltage V59~V56 and V7~V4

**Relationship between GRAM data and output level (“Normally White Panel”, GRAM data=0)**



**Figure 5.34: Relationship between source output and Vcom**



(Same characteristic for each RGB)

**Figure 5.35: Relationship between GRAM data and output level (normal white panel REV\_Panel="0")**

5.10.2 Gray voltage generator for digital gamma correction nearing effect line modes

The HX8347-G digital gamma correction can reach the independent GAMMA curve of RGB. HX8347-G utilizes DGC\_LUT (Digital Gamma Correction Look Up Table) to change input data from 6-bit into 8-bit and sends 8-bit data to Dithering circuit, and then drive Source Driver via Dithering circuit. The following of the block diagram of the function.

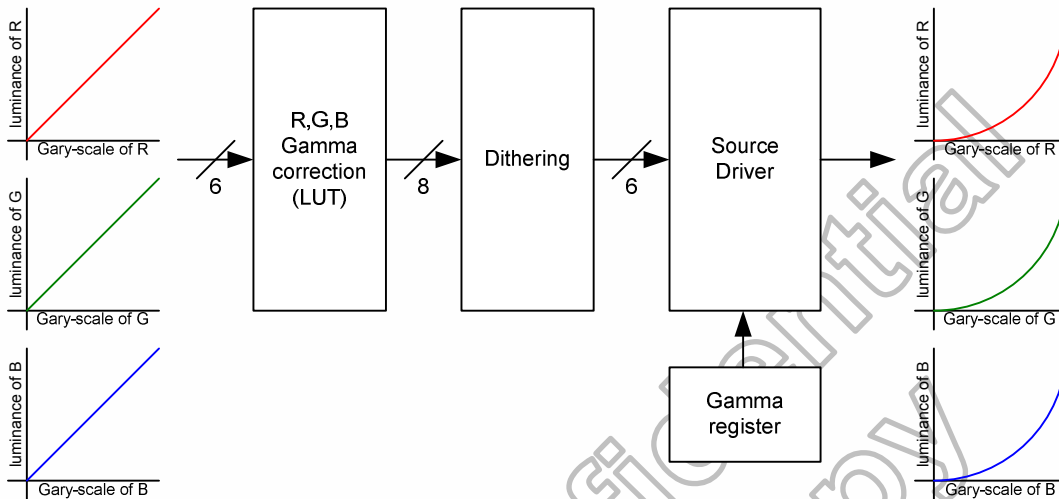


Figure 5.36: Block diagram of digital gamma correction

There are 99 bytes DGC LUT to set R, G, B gamma independently. When DGC\_EN=1, R, G, B gamma will mapping V0, V2, V4, ..., V60, V62, V63 voltage to the LUT register setting gray level voltage.  $V(2N+1) = (V(2N) + V(2N+2))/2$  (N=0~30).

Parameter	Input (6 bit)	D7	D6	D5	D4	D3	D2	D1	D0	Default	Gray Mapping
1st	R00h	R007	R006	R005	R004	R003	R002	R001	R000	00h	R_V0
2nd	R02h	R017	R016	R015	R014	R013	R012	R011	R010	08h	R_V2
3rd	R04h	R027	R026	R025	R024	R023	R022	R021	R020	10h	R_V4
	⋮	⋮	⋮	⋮	⋮	⋮	⋮	⋮	⋮	⋮	⋮
32nd	R62h	R317	R316	R315	R314	R313	R312	R311	R310	F8h	R_V62
33rd	R63h	R327	R326	R325	R324	R323	R322	R321	R320	FCh	R_V63
34th	G00h	G007	G006	G005	G004	G003	G002	G001	G000	00h	G_V0
35th	G02h	G017	G016	G015	G014	G013	G012	G011	G010	08h	G_V2
36th	G04h	G027	G026	G025	G024	G023	G022	G021	G020	10h	G_V4
	⋮	⋮	⋮	⋮	⋮	⋮	⋮	⋮	⋮	⋮	⋮
65th	G62h	G317	G316	G315	G314	G313	G312	G311	G310	F8h	G_V62
66th	G63h	G327	R326	G325	G324	G323	G322	G321	G320	FCh	G_V63
67th	B00h	B007	B006	B005	B004	B003	B002	B001	B000	00h	B_V0
68th	B02h	B017	B016	B015	B014	B013	B012	B011	B010	08h	B_V2
69th	B04h	B027	B026	B025	B024	B023	B022	B021	B020	10h	B_V4
	⋮	⋮	⋮	⋮	⋮	⋮	⋮	⋮	⋮	⋮	⋮
98th	B62h	B317	B316	B315	B314	B313	B312	B311	B310	F8h	B_V62
99th	B63h	B327	B326	B325	B324	B323	B322	B321	B320	FCh	B_V63



### 5.11 Power on/off sequence

The following are the sequences of register setting flow that applied to this driver driving the TFT display, when operate in Register-Content interface mode.

#### Display on/off set flow

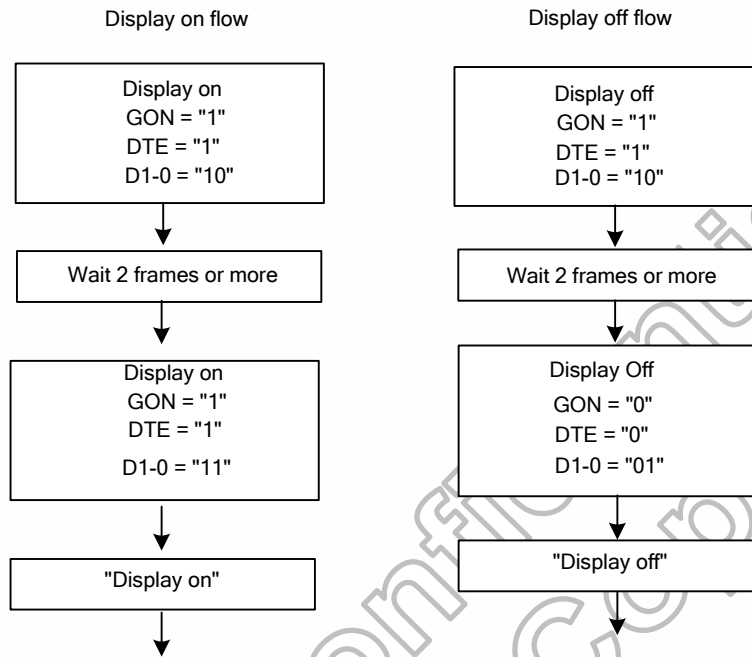
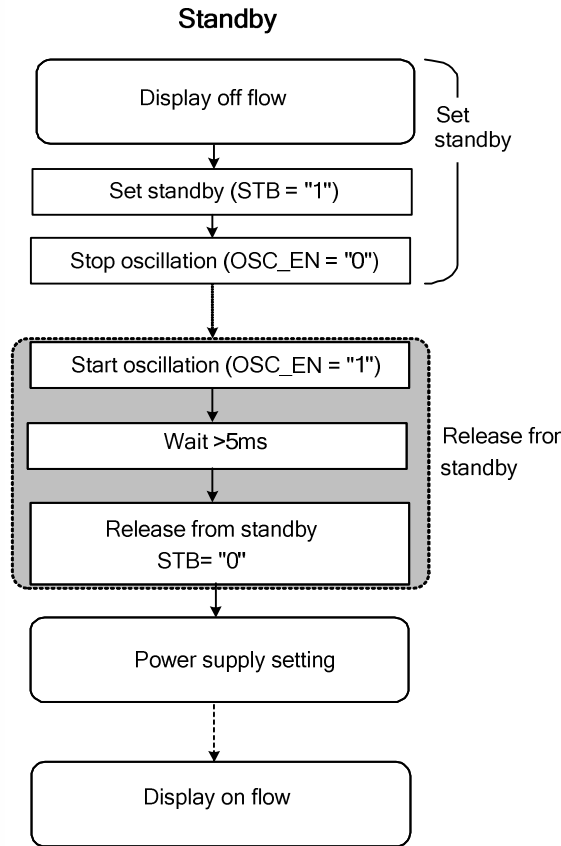


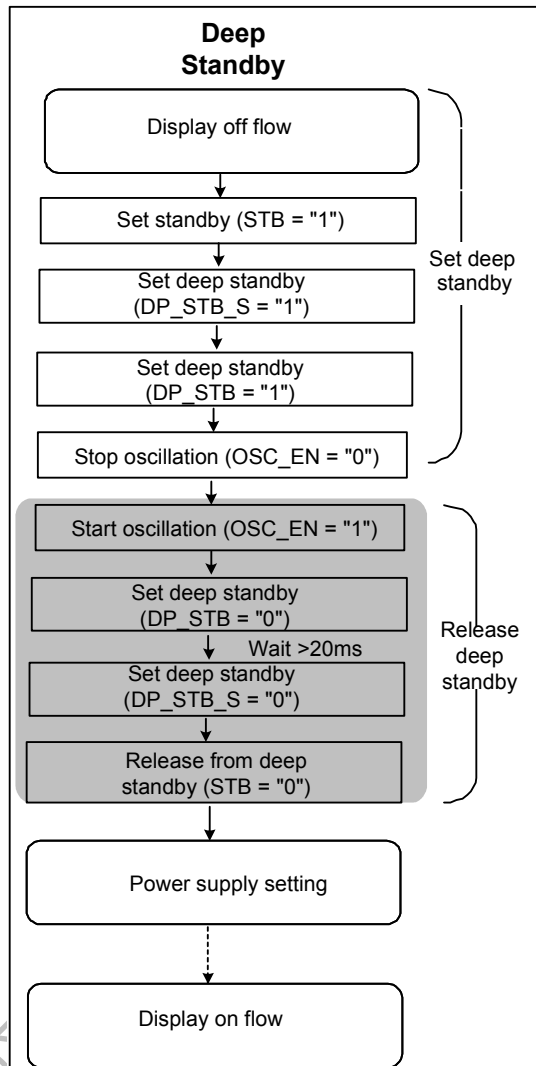
Figure 5.37: Display on/off set flow

**Standby mode set up flow**



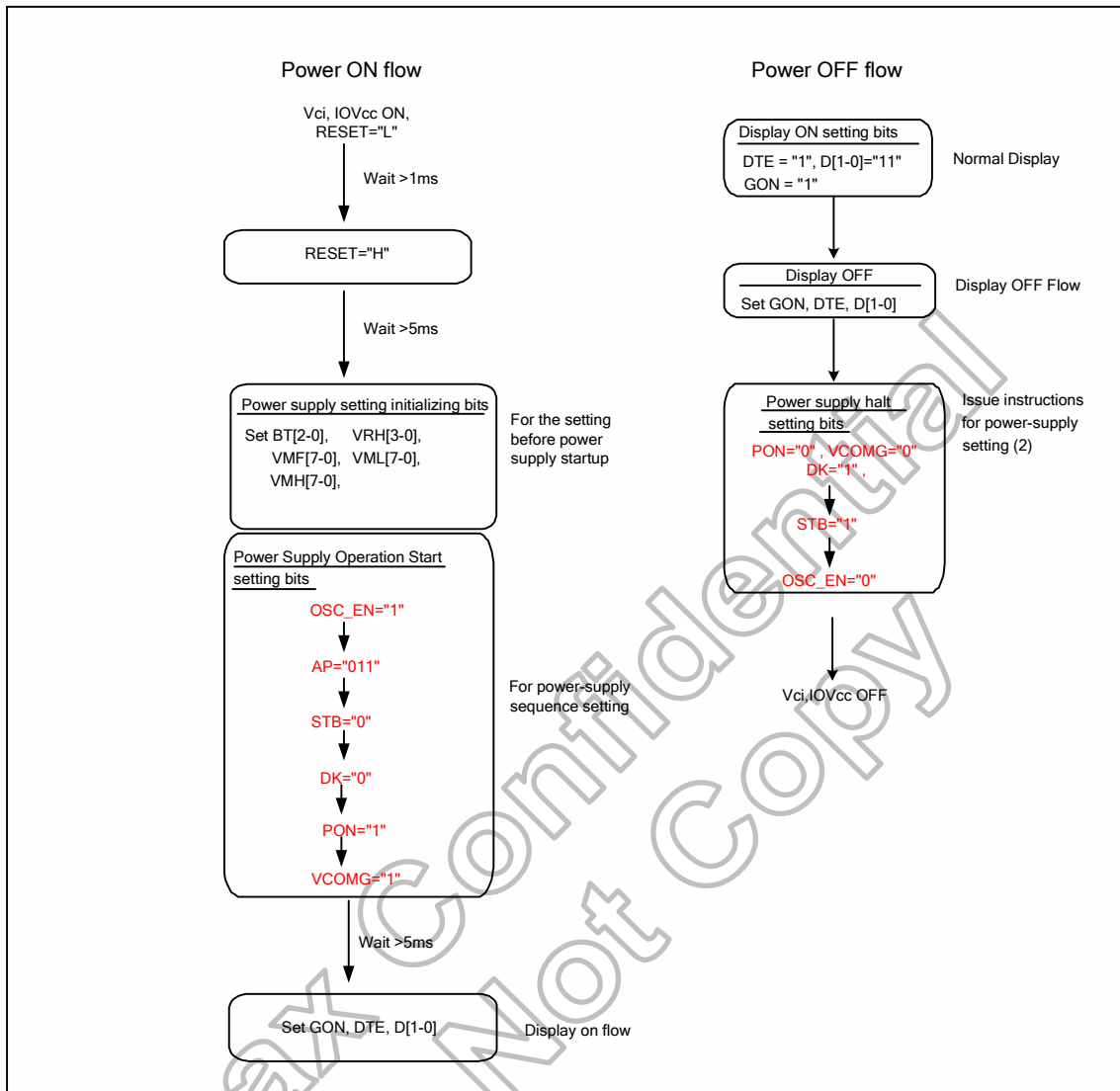
**Figure 5.38: Standby mode setting flow**

**Deep standby mode set up flow**



**Figure 5.39: Deep standby mode setting flow**

**Power on/off setting up flow**



**Figure 5.40: Power supply setting flow**

## 5.12 Input/output pin state

### 5.12.1 Output pins

Output or Bi-directional pins	After Power On	After Hardware Reset
DB17 to DB0 (Output driver)	High-Z (Inactive)	High-Z (Inactive)
SDA	High-Z (Inactive)	High-Z (Inactive)
TE	Low	Low
<b>BC_CTRL</b>	<b>Low</b>	<b>Low</b>
CABC_PWM_OUT	Low	Low

Table 5.32: Characteristics of output pins

### 5.12.2 Input pins

Input pins	During Power On Process	After Power On	After Hardware Reset	During Power Off Process
NRESET	Input valid	Input valid	Input valid	Input valid
NCS	Input invalid	Input valid	Input valid	Input invalid
NWR_SCL	Input invalid	Input valid	Input valid	Input invalid
NRD	Input invalid	Input valid	Input valid	Input invalid
DNC_SCL	Input invalid	Input valid	Input valid	Input invalid
SDA	Input invalid	Input valid	Input valid	Input invalid
VSYNC	Input invalid	Input valid	Input valid	Input invalid
HSYNC	Input invalid	Input valid	Input valid	Input invalid
DE	Input invalid	Input valid	Input valid	Input invalid
DOTCLK	Input invalid	Input valid	Input valid	Input invalid
DB[17:0]	Input invalid	Input valid	Input valid	Input invalid
OSC, IM3,IM2, IM1,IM0, IFSEL	Input invalid	Input valid	Input valid	Input invalid
TEST2-0	Input invalid	Input valid	Input valid	Input invalid

Table 5.33: Characteristics of input pins

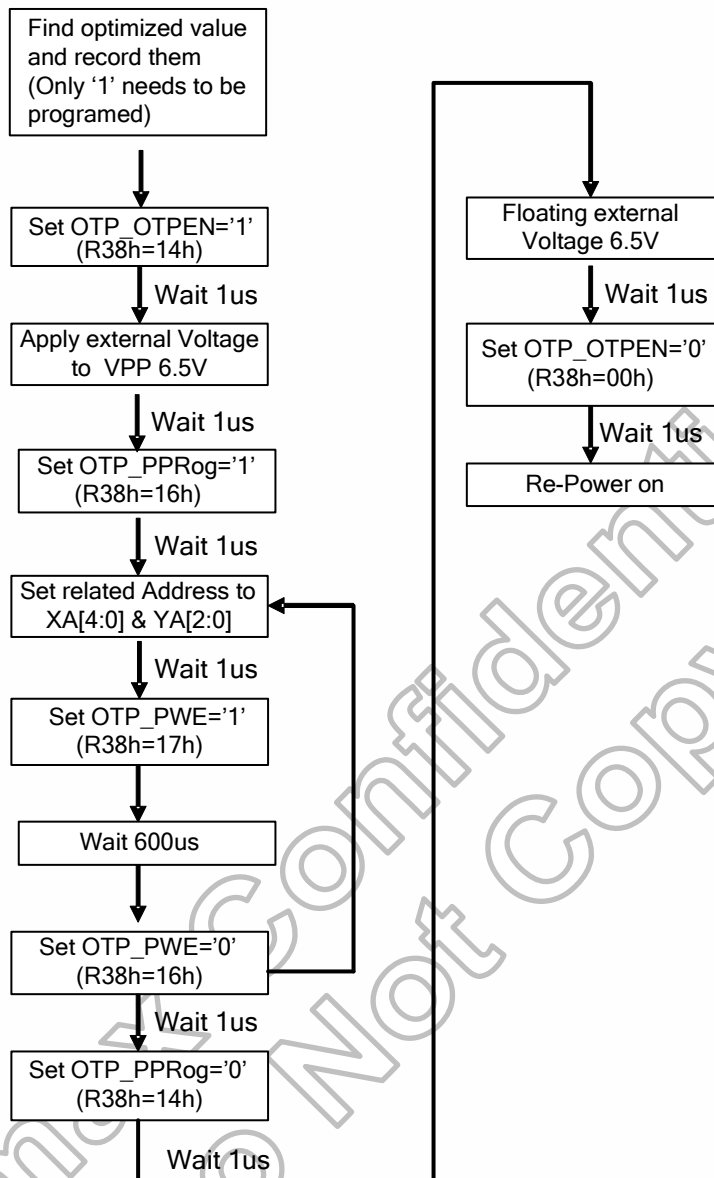
### 5.13 OTP Programing

#### 5.13.1 OTP table

	YA[2:0]= 111	YA[2:0]= 110	YA[2:0]= 101	YA[2:0]= 100	YA[2:0]= 011	YA[2:0]= 010	YA[2:0]= 001	YA[2:0]= 000	Non-Pro gram
XA[4:0]=00000	ID17	ID16	ID15	ID14	ID13	ID12	ID11	ID10	00h
XA[4:0]=00001	ID27	ID26	ID25	ID24	ID23	ID22	ID21	ID20	00h
XA[4:0]=00010	ID37	ID36	ID35	ID34	ID33	ID32	ID31	ID30	00h
XA[4:0]=00011	VMF17	VMF16	VMF15	VMF14	VMF13	VMF12	VMF11	VMF10	00h
XA[4:0]=00100	VMF27	VMF26	VMF25	VMF24	VMF23	VMF22	VMF21	VMF20	00h
XA[4:0]=00101	VMF37	VMF36	VMF35	VMF34	VMF33	VMF32	VMF31	VMF30	00h
XA[4:0]=00110	VMH6	VMH6	VMH5	VMH4	VMH3	VMH2	VMH1	VMH0	00h
XA[4:0]=00111	VML6	VML6	VML5	VML4	VML3	VML2	VML1	VML0	00h
XA[4:0]=01000	Valid_ID	-	-	Valid_VM L	Valid_VM H	Valid_VM F3	Valid_VM F2	Valid_VM F1	00h
XA[4:0]=01001	Valid_pa nel	-	DDVDH_ TRI	-	SS_Pane l	GS_Pan el	REV_Pa nel	BGR_Pa nel	00h

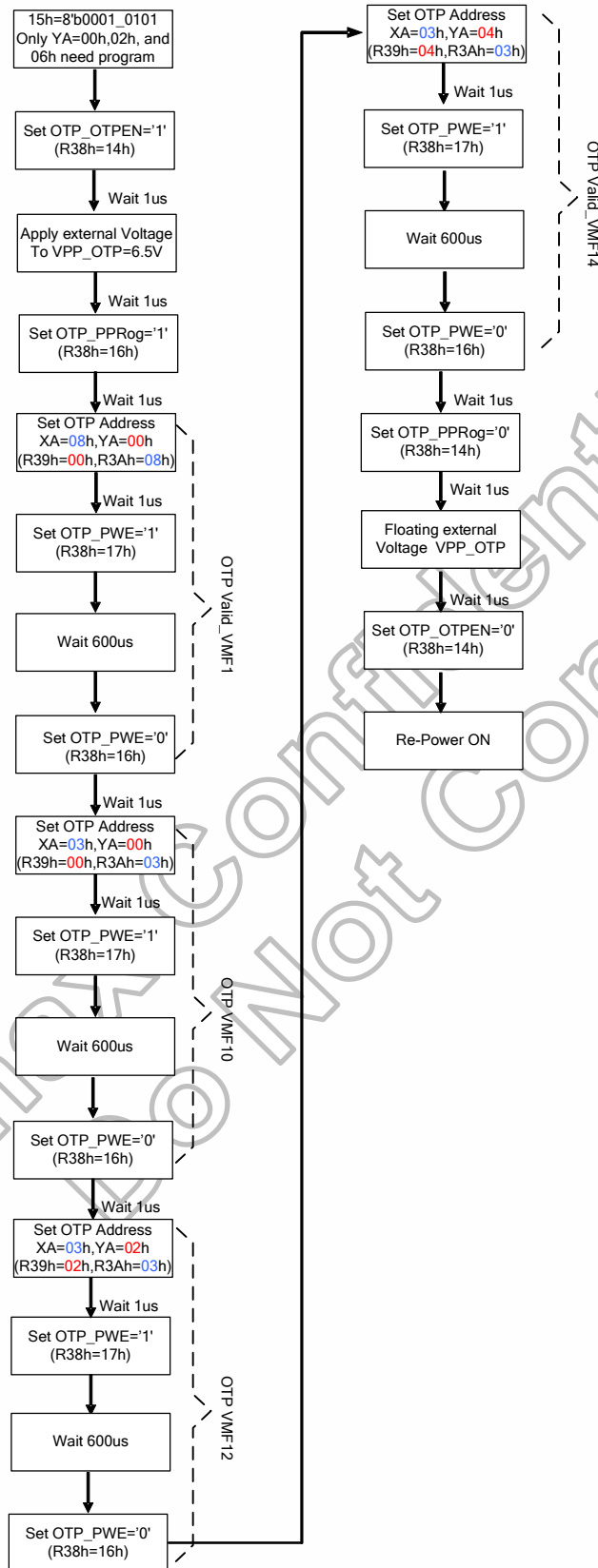
Himax Confidential  
Do Not Copy

**5.13.2 OTP programming flow**



**Note:** Valid bit must be programmed if user wants use this OTP function.

## OTP programming example (VMF=15h)



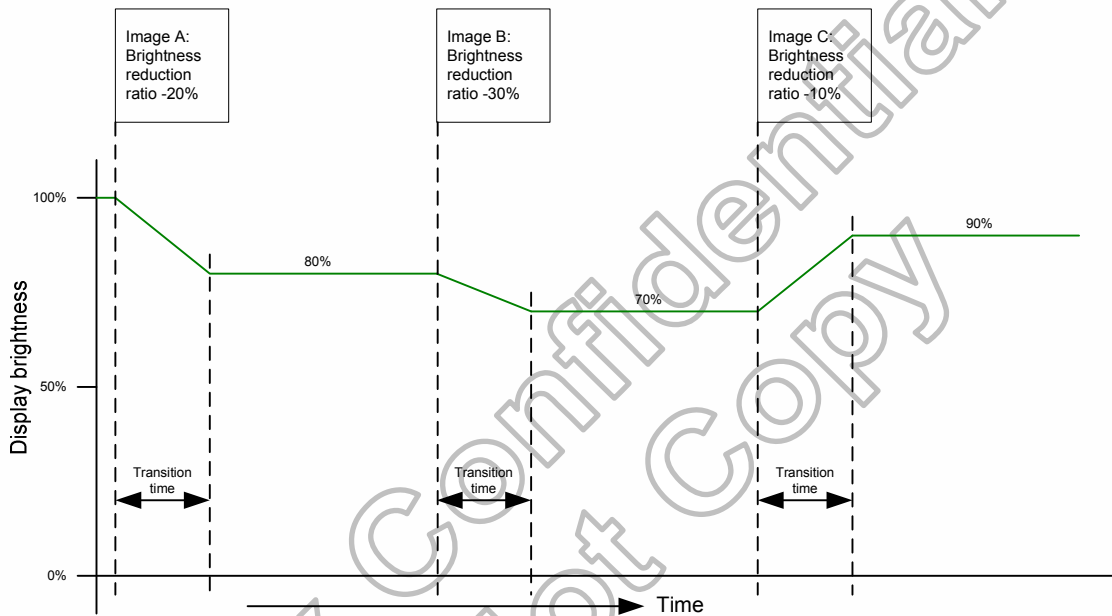


**5.14 Content Adaptive Brightness Control (CABC) function**

The HX8347-G has support Content Adaptive Brightness Control (CABC) Function and will output one PWM signal to external LED Driver IC. The PWM signal is automatics adjust output duty by display image for saving LED backlight power consumption.

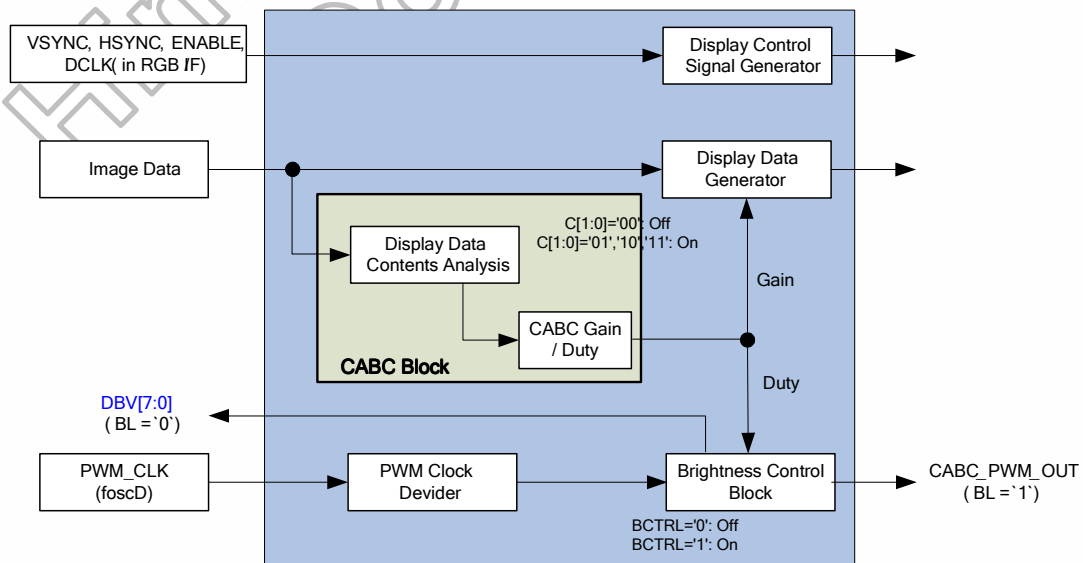
Example:

- Image A: -20% brightness reduction
- Image B: -30% brightness reduction
- Image C: -10% brightness reduction



**Figure 5.41: Example of CABC function**

The general block diagram of the CABC and the brightness control is illustrated below:

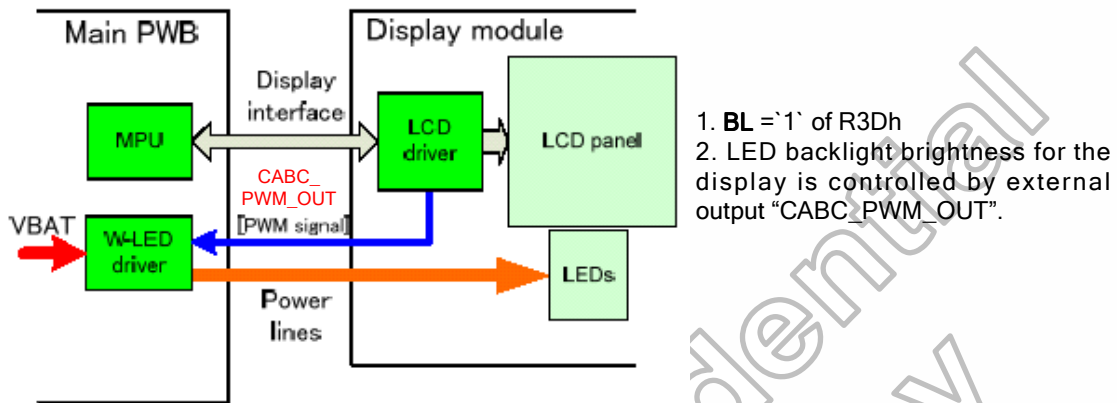


**Figure 5.42: CABC block diagram**

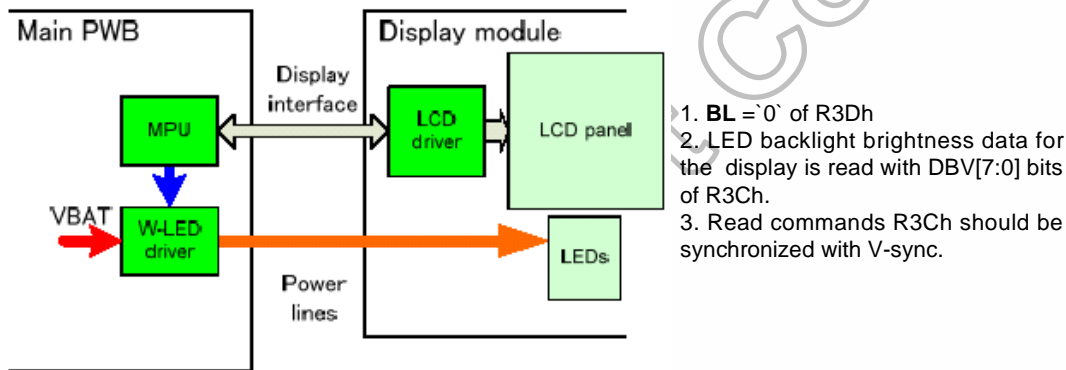
**5.14.1 Module architectures**

The HX8347-G can support two module architectures for CABC operation. The **BL** bit setting of R3Dh can be used to select used display module architecture. White LED driver circuit for display backlight is located on the main PWB, not in the display module both in architecture I and II.

• Architecture I



• Architecture II



### 5.14.2 Brightness control block

There is an external output signal from brightness block, CABC\_PWM\_OUT, to control the LED driver IC in order to control display brightness.

There are register bits, DBV[7:0] of R3Ch, for display brightness of manual brightness setting. The CABC\_PWM\_OUT duty is calculated as  $DBV[7:0]/255 \times \text{CABC duty}$  (generated after one-frame display data content analysis).

For example: CABC\_PWM\_OUT period = 2.95 ms, and DBV[7:0](R3Ch) = '228<sub>DEC</sub>' and CABC duty is 74%. Then CABC\_PWM\_OUT duty =  $228 / 255 \times 74\% \approx 65.90\%$ . Correspond to the CABC\_PWM\_OUT period = 2.95 ms, the high-level of CABC\_PWM\_OUT (high effective) = 1.94ms, and the low-level of CABC\_PWM\_OUT = 1.01ms.

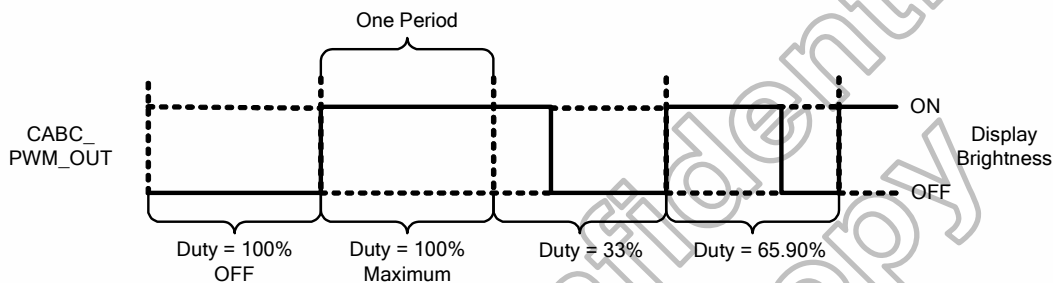


Figure 5.43: CABC\_PWM\_OUT output duty

When Architecture II module is used (**BL='0'**) with the example below, the CABC\_PWM\_OUT is always output low and the DBV[7:0](R3Ch) will be read a value as 169<sub>DEC</sub> ( $169/255 \approx 66.27\%$ ).

### 5.14.3 Minimum brightness setting of CABC function

CABC function is automatically reduced backlight brightness based on image contents. In the case of the combination with the CABC or manual brightness setting, display brightness is too dark. It must affect image quality degradation. CABC minimum brightness setting (**CMB[7:0]** bits of R3Fh) works to avoid too much brightness reduction.

When CABC is active, CABC can not reduce the display brightness to less than CABC minimum brightness setting. Image processing function works as normal, even if the brightness can not be changed.

This function does not affect the other function, manual brightness setting. Manual brightness can be set the display brightness to less than CABC minimum brightness. Smooth transition and dimming function can work as normal.

When display brightness is turned off (**BCTRL='0'** of R3Dh), CABC minimum brightness setting is ignored. Read CABC minimum brightness **CMB[7:0]** (R3Fh) always reads the setting value.

### 5.14.4 Display dimming

A dimming function (how fast to change the brightness from old to new level and what are brightness levels during the change) is used when changing from one brightness level to another to avoid flicker in the actual display module. This dimming function curve is the same in increment and decrement directions.

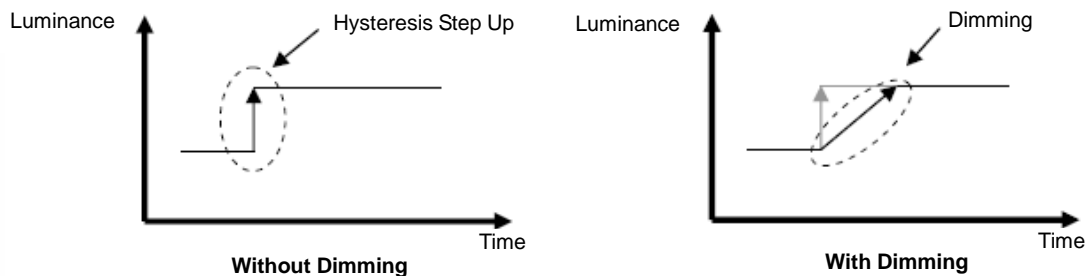
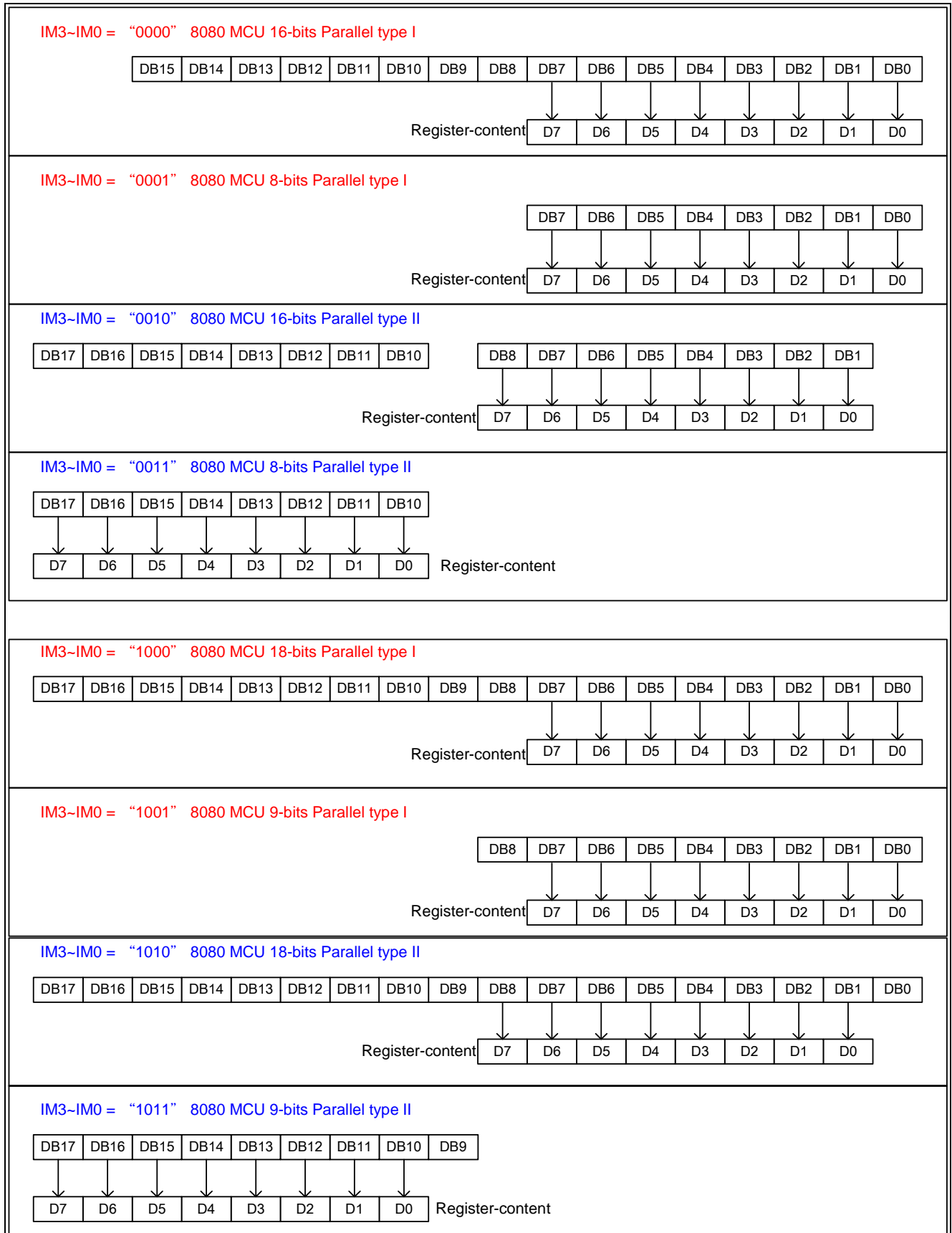


Figure 5.44: Dimming function

## 6. Command



## 6.1 Command set

(Hex)	Operation Code	W/R	Upper Code	Lower Code								Comment
			D[17:8]	D7	D6	D5	D4	D3	D2	D1	D0	
00	Himax ID	R	-	0	1	1	1	0	1	0	1	-
01	Display Mode control	W/R	-	DP_S TB(0)	DP_STB_S(0)	-	-	SCROL (0)	IDMON (0)	INNON (0)	PTLON (0)	-
02	Column address start 2	W/R	-	SC[15:8] (8'b0000_0000)								-
03	Column address start 1	W/R	-	SC[7:0] (8'b0000_0000)								-
04	Column address end 2	W/R	-	EC[15:8] (8'b0000_0000)								-
05	Column address end 1	W/R	-	EC[7:0] (8'b1110_1111)								-
06	Row address start 2	W/R	-	SP[15:8] (8'b0000_0000)								-
07	Row address start 1	W/R	-	SP[7:0] (8'b0000_0000)								-
08	Row address end 2	W/R	-	EP[15:8] (8'b0000_0001)								-
09	Row address end 1	W/R	-	EP[7:0] (8'b0011_1111)								-
0A	Partial area start row 2	W/R	-	PSL[15:8] (8'b0000_0000)								-
0B	Partial area start row 1	W/R	-	PSL[7:0] (8'b0000_0000)								-
0C	Partial area end row 2	W/R	-	PEL[15:8] (8'b0000_0001)								-
0D	Partial area end row 1	W/R	-	PEL[7:0] (8'b0011_1111)								-
0E	Vertical Scroll Top fixed area 2	W/R	-	TFA[15:8] (8'b0000_0000)								-
0F	Vertical Scroll Top fixed area 1	W/R	-	TFA[7:0] (8'b0000_0000)								-
10	Vertical Scroll height area 2	W/R	-	VSA[15:8] (8'b0000_0001)								-
11	Vertical Scroll height area 1	W/R	-	VSA[7:0] (8'b0100_0000)								-
12	Vertical Scroll Button area 2	W/R	-	BFA[15:8] (8'b0000_0000)								-
13	Vertical Scroll Button area 1	W/R	-	BFA [7:0] (8'b0000_0000)								-
14	Vertical Scroll Start address 2	W/R	-	VSP [15:8] (8'b0000_0000)								-
15	Vertical Scroll Start address 1	W/R	-	VSP [7:0] (8'b0000_0000)								-
16	Memory Access control	W/R	-	MY(0)	MX(0)	MV(0)	ML(0)	BGR(0)	-	-	-	-
17	COLMOD	W/R	-	CSEL[3:0] (4b'0110)				-	IFPF[2:0] (3b'110)			-
18	OSC Control 2	W/R	-	I/PI_RADJ1[3:0] (3b'0011)				N/P_RADJ0[3:0](4b'0100)				-
19	OSC Control 1	W/R	-	-	-	-	-	-	-	-	OSC_EN(0)	-
1A	Power Control 1	W/R	-	-	-	-	-	-	BT[2:0] (001)			-
1B	Power Control 2	W/R	-	-	-	VRH[5:0] (01_1011)_4.8V					-	
1C	Power Control 3	W/R	-	-	-	-	-	AP[2:0] (011)			-	
1D	Power Control 4	W/R	-	-	I/PI_FS0[2:0](100)			-	N/P_FS0[2:0] (100)			-
1E	Power Control 5	W/R	-	-	I/PI_FS1[2:0] (100)			-	N/P_FS1[2:0] (100)			-
1F	Power Control 6	W/R	-	GASEN(1)	VCOMG(0)	-	PON(0)	DK(1)	XDK(0)	DDVDH_TRI(0)	STB(1)	-
22	SRAM Write Control	W/R	SRAM Write									-
23	VCOM Control 1	W/R	-	VMF[7:0](1000_0000)								-
24	VCOM Control 2	W/R	-	VMH[7:0](0010_1111)								-
25	VCOM Control 3	W/R	-	VML[7:0](0101_0111)								-
26	Display Control 1	W/R	-	--	-	-	-	ISC[3:0](0001)			-	
27	Display Control 2	W/R	-	PT[1:0](10)		PTV[1:0](10)		-	-	PTG(1)	REF(1)	-

(Hex)	Operation Code	W/R	Upper Code	Lower Code								Comment
			D[17:8]	D7	D6	D5	D4	D3	D2	D1	D0	
28	Display Control 3	W/R	-	-	-	GON(1)	DTE(0)	D[1:0] (00)		-	-	-
29	Frame Rate control 1	W/R	-	I/PI_RTN[3:0](1000)				N/P_RTN[3:0](1000)				-
2A	Frame Rate Control 2	W/R	-	-	-	I/PI_DIV[1:0](00)		-	-	N/P_DIV[1:0](00)		-
2B	Frame Rate Control 3	W/R	-	N/P_DUM[7:0] (8b'0001_1100)								-
2C	Frame Rate Control 4	W/R	-	I/PI_DUM[7:0] (8b'0001_1100)								-
2D	Cycle Control 1	W/R	-	GDON[7:0] (8'b0000_1101)								-
2E	Cycle Control 2	W/R	-	GDOF[7:0] (8'b0111_1000)								-
2F	Display inversion	W/R	-	-	I/PI_NW[2:0](3b'001)			-	N/P_NW[2:0] (3b'001)			-
31	RGB interface control 1	W/R	-	-	-	-	-	-	-	RCM[1:0](00)		-
32	RGB interface control 2	W/R	-	-	-	-	-	DPL (0)	HSPL (0)	VSPL (0)	EPL (0)	-
33	RGB interface control 3	W/R	-	HBP[7:0]								-
34	RGB interface control 4	W/R	-	HBP[9:8]			VBP[5:0]					-
36	Panel Characteristic	W/R	-	-	-	-	-	SS_P anel	GS_Pan el	REV_P anel	BGR_P anel	-
38	OTP Control 1	W/R	-	OTP_PTM[1:0]		OTP_VARDJ[1:0]		OTP_POR	OTP_OTPEN	OTP_P PROG	OTP_P WE	-
39	OTP Control 2	W/R	-	-	-	-	-	-	OTP_YA 2	OTP_YA1	OTP_Y A0	-
3A	OTP Control 3	W/R	-	-	-	-	OTP_XA 4	OTP_XA3	OTP_XA 2	OTP_XA1	OTP_XA0	-
3B	OTP Control 4	R	-	OTPD TA7	OTPD ATA6	OTPD TA5	OTPDAT A4	OTPD ATA3	OTPDAT A2	OTPDAT A1	OTPDAT 0	-
3C	CABC Control 1	W/R	-	DBV[7:0](8'h00)								-
3D	CABC Control 2	W/R	-	-	-	BCTRL (0)	-	DD (0)	BL (0)	-	-	-
3E	CABC Control 3	W/R	-	-	-	-	-	-	-	C1 (0)	C0 (0)	-
3F	CABC Control 4	W/R	-	CMB[7:0](8'h00)								-
40	r1 Control (1)	W/R	-	-	-	-	-	VRP0[5:0]				-
41	r1 Control (2)	W/R	-	-	-	-	-	VRP1[5:0]				-
42	r1 Control (3)	W/R	-	-	-	-	-	VRP2[5:0]				-
43	r1 Control (4)	W/R	-	-	-	-	-	VRP3[5:0]				-
44	r1 Control (5)	W/R	-	-	-	-	-	VRP4[5:0]				-
45	r1 Control (6)	W/R	-	-	-	-	-	VRP5[5:0]				-
46	r1 Control (7)	W/R	-	-	-	-	-	PRP0[6:0]				-
47	r1 Control (8)	W/R	-	-	-	-	-	PRP1[6:0]				-
48	r1 Control (9)	W/R	-	-	-	-	-	PKP0[4:0]				-
49	r1 Control (10)	W/R	-	-	-	-	-	PKP1[4:0]				-
4A	r1 Control (11)	W/R	-	-	-	-	-	PKP2[4:0]				-
4B	r1 Control (12)	W/R	-	-	-	-	-	PKP3[4:0]				-
4C	r1 Control (13)	W/R	-	-	-	-	-	PKP4[4:0]				-
50	r1 Control (14)	W/R	-	-	-	-	-	VRN0[5:0]				-
51	r1 Control (15)	W/R	-	-	-	-	-	VRN1[5:0]				-
52	r1 Control (16)	W/R	-	-	-	-	-	VRN2[5:0]				-
53	r1 Control (17)	W/R	-	-	-	-	-	VRN3[5:0]				-
54	r1 Control (18)	W/R	-	-	-	-	-	VRN4[5:0]				-
55	r1 Control (19)	W/R	-	-	-	-	-	VRN5[5:0]				-
56	r1 Control (20)	W/R	-	-	-	-	-	PRN0[6:0]				-
57	r1 Control (21)	W/R	-	-	-	-	-	PRN1[6:0]				-
58	r1 Control (22)	W/R	-	-	-	-	-	PKN0[4:0]				-
59	r1 Control (23)	W/R	-	-	-	-	-	PKN1[4:0]				-
5A	r1 Control (24)	W/R	-	-	-	-	-	PKN2[4:0]				-
5B	r1 Control (25)	W/R	-	-	-	-	-	PKN3[4:0]				-
5C	r1 Control (26)	W/R	-	-	-	-	-	PKN4[4:0]				-
5D	r1 Control (27)	W/R	-	CGMN1[1:0]		CGMN0[1:0]		CGMP1[1:0]		CGMP0[1:0]		-
60	TE Control	W/R	-	-	-	-	TE_mod e(0)	TEOE(0)	-	-	-	-
61	ID1	W/R	-	ID17	ID16	ID15	ID14	ID13	ID12	ID11	ID10	-
62	ID2	W/R	-	ID27	ID26	ID25	ID24	ID23	ID22	ID21	ID20	-
63	ID3	W/R	-	ID37	ID36	ID35	ID34	ID33	ID32	ID31	ID30	-

(Hex)	Operation Code	W/R	Upper Code	Lower Code								Comment
			D[17:8]	D7	D6	D5	D4	D3	D2	D1	D0	
84	TE Output line2	W/R	-	TESEL15	TESEL14	TESEL 13	TESEL 12	TESEL11	TESEL10	TESEL9	TESEL8	-
85	TE Output line1	W/R	-	TESEL 7	TESEL 6	TESEL 5	TESEL 4	TESEL 3	TESEL 2	TESEL1	TESEL 0	-
E4	Power saving 1	W/R	-	EQ_S1[7:0]								-
E5	Power saving 2	W/R	-	EQ_S2[7:0]								-
E6	Power saving 3	W/R	-	EQ_S3[7:0]								-
E7	Power saving 4	W/R	-	EQ_S4[7:0]								-
E8	Source OP control_Normal	W/R	-	OPON_N[7:0]								-
E9	Source OP control_IDLE	W/R	-	OPON_I[7:0]								-
EA	Power control internal use (1)	W/R	-	STBA[15:8]								-
EB	Power control internal use (2)	W/R	-	STBA[7:0]								-
EC	Source control internal use (1)	W/R	-	PTBA[15:8]								-
ED	Source control internal use (2)	W/R	-	PTBA[7:0]								-
FF	Page select	W/R	-	-	-	-	-	-	-	-	PAGE_SEL[1:0] (00)	-

Table 6.1: List table of command set page 0

Himax Confidential  
Do Not Copy



(Hex)	Operation Code	W/R	Upper Code	Lower Code								Comment	
			D[17:8]	D7	D6	D5	D4	D3	D2	D1	D0		
R00h	DGC Control	W/R	-	-	-	-	-	-	-	-	-	DGC_EN(0)	-
R01h	DGC LUT1	W/R	-	DGC_LUT_R00(8'h00)								-	
R02h	DGC LUT2	W/R	-	DGC_LUT_R01(8'h08)								-	
R03h	DGC LUT3	W/R	-	DGC_LUT_R02(8'h10)								-	
R04h	DGC LUT4	W/R	-	DGC_LUT_R03(8'h18)								-	
R05h	DGC LUT5	W/R	-	DGC_LUT_R04(8'h20)								-	
R06h	DGC LUT6	W/R	-	DGC_LUT_R05(8'h28)								-	
R07h	DGC LUT7	W/R	-	DGC_LUT_R06(8'h30)								-	
R08h	DGC LUT8	W/R	-	DGC_LUT_R07(8'h38)								-	
R09h	DGC LUT9	W/R	-	DGC_LUT_R08(8'h40)								-	
R0Ah	DGC LUT10	W/R	-	DGC_LUT_R09(8'h48)								-	
R0Bh	DGC LUT11	W/R	-	DGC_LUT_R10(8'h50)								-	
R0Ch	DGC LUT12	W/R	-	DGC_LUT_R11(8'h58)								-	
R0Dh	DGC LUT13	W/R	-	DGC_LUT_R12(8'h60)								-	
R0Eh	DGC LUT14	W/R	-	DGC_LUT_R13(8'h68)								-	
R0Fh	DGC LUT15	W/R	-	DGC_LUT_R14(8'h70)								-	
R10h	DGC LUT16	W/R	-	DGC_LUT_R15(8'h78)								-	
R11h	DGC LUT17	W/R	-	DGC_LUT_R16(8'h80)								-	
R12h	DGC LUT18	W/R	-	DGC_LUT_R17(8'h88)								-	
R13h	DGC LUT19	W/R	-	DGC_LUT_R18(8'h90)								-	
R14h	DGC LUT20	W/R	-	DGC_LUT_R19(8'h98)								-	
R15h	DGC LUT21	W/R	-	DGC_LUT_R20(8'hA0)								-	
R16h	DGC LUT22	W/R	-	DGC_LUT_R21(8'hA8)								-	
R17h	DGC LUT23	W/R	-	DGC_LUT_R22(8'hB0)								-	
R18h	DGC LUT24	W/R	-	DGC_LUT_R23(8'hB8)								-	
R19h	DGC LUT25	W/R	-	DGC_LUT_R24(8'hC0)								-	
R1Ah	DGC LUT26	W/R	-	DGC_LUT_R25(8'hC8)								-	
R1Bh	DGC LUT27	W/R	-	DGC_LUT_R26(8'hD0)								-	
R1Ch	DGC LUT28	W/R	-	DGC_LUT_R27(8'hD8)								-	
R1Dh	DGC LUT29	W/R	-	DGC_LUT_R28(8'hE0)								-	
R1Eh	DGC LUT30	W/R	-	DGC_LUT_R29(8'hE8)								-	
R1Fh	DGC LUT31	W/R	-	DGC_LUT_R30(8'hF0)								-	
R20h	DGC LUT32	W/R	-	DGC_LUT_R31(8'hF8)								-	
R21h	DGC LUT33	W/R	-	DGC_LUT_R32(8'hFC)								-	
R22h	DGC LUT34	W/R	-	DGC_LUT_G00(8'h00)								-	
R23h	DGC LUT35	W/R	-	DGC_LUT_G01(8'h08)								-	
R24h	DGC LUT36	W/R	-	DGC_LUT_G02(8'h10)								-	
R25h	DGC LUT37	W/R	-	DGC_LUT_G03(8'h18)								-	
R26h	DGC LUT38	W/R	-	DGC_LUT_G04(8'h20)								-	
R27h	DGC LUT39	W/R	-	DGC_LUT_G05(8'h28)								-	
R28h	DGC LUT40	W/R	-	DGC_LUT_G06(8'h30)								-	
R29h	DGC LUT41	W/R	-	DGC_LUT_G07(8'h38)								-	
R2Ah	DGC LUT42	W/R	-	DGC_LUT_G08(8'h40)								-	
R2Bh	DGC LUT43	W/R	-	DGC_LUT_G09(8'h48)								-	
R2Ch	DGC LUT44	W/R	-	DGC_LUT_G10(8'h50)								-	
R2Dh	DGC LUT45	W/R	-	DGC_LUT_G11(8'h58)								-	
R2Eh	DGC LUT46	W/R	-	DGC_LUT_G12(8'h60)								-	
R2Fh	DGC LUT47	W/R	-	DGC_LUT_G13(8'h68)								-	
R30h	DGC LUT48	W/R	-	DGC_LUT_G14(8'h70)								-	
R31h	DGC LUT49	W/R	-	DGC_LUT_G15(8'h78)								-	
R32h	DGC LUT50	W/R	-	DGC_LUT_G16(8'h80)								-	
R33h	DGC LUT51	W/R	-	DGC_LUT_G17(8'h88)								-	
R34h	DGC LUT52	W/R	-	DGC_LUT_G18(8'h90)								-	
R35h	DGC LUT53	W/R	-	DGC_LUT_G19(8'h98)								-	
R36h	DGC LUT54	W/R	-	DGC_LUT_G20(8'hA0)								-	
R37h	DGC LUT55	W/R	-	DGC_LUT_G21(8'hA8)								-	
R38h	DGC LUT56	W/R	-	DGC_LUT_G22(8'hB0)								-	
R39h	DGC LUT57	W/R	-	DGC_LUT_G23(8'hB8)								-	
R3Ah	DGC LUT58	W/R	-	DGC_LUT_G24(8'hC0)								-	
R3Bh	DGC LUT59	W/R	-	DGC_LUT_G25(8'hC8)								-	
R3Ch	DGC LUT60	W/R	-	DGC_LUT_G26(8'hD0)								-	
R3Dh	DGC LUT61	W/R	-	DGC_LUT_G27(8'hD8)								-	
R3Eh	DGC LUT62	W/R	-	DGC_LUT_G28(8'hE0)								-	
R3Fh	DGC LUT63	W/R	-	DGC_LUT_G29(8'hE8)								-	
R40h	DGC LUT64	W/R	-	DGC_LUT_G30(8'hF0)								-	
R41h	DGC LUT65	W/R	-	DGC_LUT_G31(8'hF8)								-	
R42h	DGC LUT66	W/R	-	DGC_LUT_G32(8'hFC)								-	

(Hex)	Operation Code	W/R	Upper Code	Lower Code								Comment
			D[17:8]	D7	D6	D5	D4	D3	D2	D1	D0	
R43h	DGC LUT67	W/R	-	DGC_LUT_B00(8'h00)								-
R44h	DGC LUT68	W/R	-	DGC_LUT_B01(8'h08)								-
R45h	DGC LUT69	W/R	-	DGC_LUT_B02(8'h10)								-
R46h	DGC LUT70	W/R	-	DGC_LUT_B03(8'h18)								-
R47h	DGC LUT71	W/R	-	DGC_LUT_B04(8'h20)								-
R48h	DGC LUT72	W/R	-	DGC_LUT_B05(8'h28)								-
R49h	DGC LUT73	W/R	-	DGC_LUT_B06(8'h30)								-
R4Ah	DGC LUT74	W/R	-	DGC_LUT_B07(8'h38)								-
R4Bh	DGC LUT75	W/R	-	DGC_LUT_B08(8'h40)								-
R4Ch	DGC LUT76	W/R	-	DGC_LUT_B09(8'h48)								-
R4Dh	DGC LUT77	W/R	-	DGC_LUT_B10(8'h50)								-
R4Eh	DGC LUT78	W/R	-	DGC_LUT_B11(8'h58)								-
R4Fh	DGC LUT79	W/R	-	DGC_LUT_B12(8'h60)								-
R50h	DGC LUT80	W/R	-	DGC_LUT_B13(8'h68)								-
R51h	DGC LUT81	W/R	-	DGC_LUT_B14(8'h70)								-
R52h	DGC LUT82	W/R	-	DGC_LUT_B15(8'h78)								-
R53h	DGC LUT83	W/R	-	DGC_LUT_B16(8'h80)								-
R54h	DGC LUT84	W/R	-	DGC_LUT_B17(8'h88)								-
R55h	DGC LUT85	W/R	-	DGC_LUT_B18(8'h90)								-
R56h	DGC LUT86	W/R	-	DGC_LUT_B19(8'h98)								-
R57h	DGC LUT87	W/R	-	DGC_LUT_B20(8'hA0)								-
R58h	DGC LUT88	W/R	-	DGC_LUT_B21(8'hA8)								-
R59h	DGC LUT89	W/R	-	DGC_LUT_B22(8'hB0)								-
R5Ah	DGC LUT90	W/R	-	DGC_LUT_B23(8'hB8)								-
R5Bh	DGC LUT91	W/R	-	DGC_LUT_B24(8'hC0)								-
R5Ch	DGC LUT92	W/R	-	DGC_LUT_B25(8'hC8)								-
R5Dh	DGC LUT93	W/R	-	DGC_LUT_B26(8'hD0)								-
R5Eh	DGC LUT94	W/R	-	DGC_LUT_B27(8'hD8)								-
R5Fh	DGC LUT95	W/R	-	DGC_LUT_B28(8'hE0)								-
R60h	DGC LUT96	W/R	-	DGC_LUT_B29(8'hE8)								-
R61h	DGC LUT97	W/R	-	DGC_LUT_B30(8'hF0)								-
R62h	DGC LUT98	W/R	-	DGC_LUT_B31(8'hF8)								-
R63h	DGC LUT99	W/R	-	DGC_LUT_B32(8'hFC)								-
C3	CABC Control 5	W/R	-	BC_C TL(0)	PWMDIV[2:0](000)			1	1	INPLUS (1)	1	-
C5	CABC Control 6	W/R	-	PWM_PERIOD[7:0] (43d)								-
C7	CABC Control 7	W/R	-	DIM_FRAME[6:0] (20)								-
CB	Gain select register 0	W/R	-	-	DBG0[6:0](40)						-	
CC	Gain select register 1	W/R	-	-	DBG1[6:0](3C)						-	
CD	Gain select register 2	W/R	-	-	DBG2[6:0](38)						-	
CE	Gain select register 3	W/R	-	-	DBG3[6:0](34)						-	
CF	Gain select register 4	W/R	-	-	DBG4[6:0](33)						-	
D0	Gain select register 5	W/R	-	-	DBG5[6:0](32)						-	
D1	Gain select register 6	W/R	-	-	DBG6[6:0](2B)						-	
D2	Gain select register 7	W/R	-	-	DBG7[6:0](24)						-	
D3	Gain select register 8	W/R	-	-	DBG8[6:0](22)						-	
FF	Page select	W/R	-	-	-	-	-	-	-	PAGE_SEL[1:0] (00)	-	

Table 6.2: List table of command set page 1

### 6.2 Index register

R/W	DNC	RB7	RB6	RB5	RB4	RB3	RB2	RB1	RB0
W	0	ID7	ID6	ID5	ID4	ID3	ID2	ID1	ID0
R	0	ID7	ID6	ID5	ID4	ID3	ID2	ID1	ID0

Figure 6.1: Index register

Index register (IR) specifies the Index of register from R00h to RFFh. It sets the register number (ID7-0) in the range from 00000000b to 11111111b in binary form.

### 6.3 Himax ID register (PAGE0 - R00h)

R/W	DNC	RB7	RB6	RB5	RB4	RB3	RB2	RB1	RB0
R	1	0	1	0	0	0	1	1	1

Figure 6.2: Himax ID register (PAGE0 -00h)

This command is used to read this IC's ID code. The ID code of this IC is 75h.

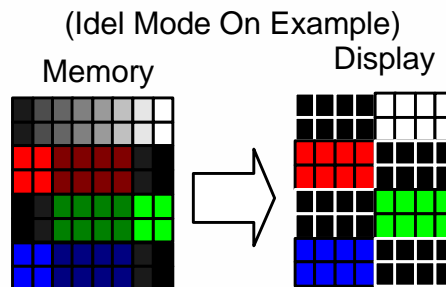
### 6.4 Display mode control register (PAGE0 -01h)

R/W	DNC	RB7	RB6	RB5	RB4	RB3	RB2	RB1	RB0
W	1	DP_STB	DP_STB_S	*	*	SCR_OLL	IDMO_N	INVO_N	PLT_ON
R	1	DP_STB	DP_STB_S	0	0	SCR_OLL	IDMO_N	INVO_N	PLT_ON

Figure 6.3: Display mode control register (PAGE0 -01h)

**DP\_STB, DP\_STB\_S** : These two bits can let the driver into the deep standby mode. And when into deep standby, all display operation stops, including the internal R-C oscillator. In the deep standby mode, the GRAM data and register content are not retained. For details, please refer to "5.11 Power On/Off Sequence" section for detailed use.

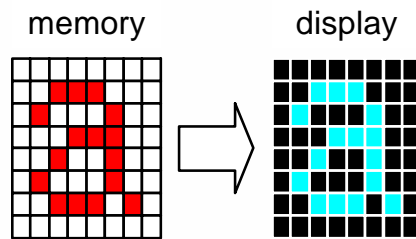
**IDMON**: This bit is Idle mode (8-color display mode) enable bit. **IDMON** = '1', chip will be into idle mode, and color expression is reduced. The primary and the secondary colors using MSB of each R, G and B in the Frame Memory, 8 color depth data is displayed.



**SCROLL** : This bit turns on scroll mode by setting SCROLL = '1'. The scroll mode window is described by the Vertical Scroll Area command **TFA[15:0]**, **VSA[15:0]**, **BFA[15:0]** and the **Vertical start address VSP[15:0]** (R0Eh~R15h). To leave scroll mode to normal mode, the **SCROLL** bit should be set to '0'.

**INVON**: This bit is display inversion mode enable bit. **INVON** = '1', chip will be into display inversion mode, and makes no change of contents of frame memory. Every bit is inverted from the frame memory to the display.

(Example)



**PTLON**: This command is used for turning on/off Partial mode by setting PTLON=1/0. The Partial mode window is described by the Partial Area command **PSL[15:0]**, **PEL[15:0]** bits(R0Ah~R0Dh). To leave Partial mode to normal mode, the **PTLON** bit should be set to '0'.

**6.5 Column address start register (PAGE0 -02~03h)**

R/W	DNC	RB7	RB6	RB5	RB4	RB3	RB2	RB1	RB0
W	1	SC 15	SC 14	SC 13	SC 12	SC 11	SC 10	SC9	SC8
R	1	SC 15	SC 14	SC 13	SC 12	SC 11	SC 10	SC9	SC8

Figure 6.4: Column address start register upper byte (PAGE0 -02h)

R/W	DNC	RB7	RB6	RB5	RB4	RB3	RB2	RB1	RB0
W	1	SC7	SC6	SC5	SC4	SC3	SC2	SC1	SC0
R	1	SC7	SC6	SC5	SC4	SC3	SC2	SC1	SC0

Figure 6.5: Column address start register low byte (PAGE0 -03h)

**6.6 Column address end register (PAGE0 -04~05h)**

R/W	DNC	RB7	RB6	RB5	RB4	RB3	RB2	RB1	RB0
W	1	EC 15	EC 14	EC 13	EC 12	EC 11	EC 10	EC9	EC8
R	1	EC 15	EC 14	EC 13	EC 12	EC 11	EC 10	EC9	EC8

Figure 6.6: Column address end register upper byte (PAGE0 -04h)

R/W	DNC	RB7	RB6	RB5	RB4	RB3	RB2	RB1	RB0
W	1	EC7	EC6	EC5	EC4	EC3	EC2	EC1	EC0
R	1	EC7	EC6	EC5	EC4	EC3	EC2	EC1	EC0

Figure 6.7: Column address end register low byte (PAGE0 -05h)

**6.7 Row address start register (PAGE0 -06~07h)**

R/W	DNC	RB7	RB6	RB5	RB4	RB3	RB2	RB1	RB0
W	1	SP 15	SP 14	SP 13	SP 12	SP 11	SP 10	SP9	SP8
R	1	SP 15	SP 14	SP 13	SP 12	SP 11	SP 10	SP9	SP8

Figure 6.8: Row address start register upper byte (PAGE0 -06h)

R/W	DNC	RB7	RB6	RB5	RB4	RB3	RB2	RB1	RB0
W	1	SP7	SP6	SP5	SP4	SP3	SP2	SP1	SP0
R	1	SP7	SP6	SP5	SP4	SP3	SP2	SP1	SP0

Figure 6.9: Row address start register low byte (PAGE0 -07h)

**6.8 Row address end register (PAGE0 -08~09h)**

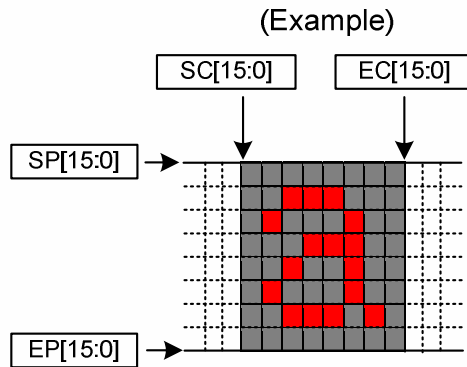
R/W	DNC	RB7	RB6	RB5	RB4	RB3	RB2	RB1	RB0
W	1	EP 15	EP 14	EP 13	EP 12	EP 11	EP 10	EP9	EP8
R	1	EP 15	EP 14	EP 13	EP 12	EP 11	EP 10	EP9	EP8

Figure 6.10: Row address end register upper byte (PAGE0 -08h)

R/W	DNC	RB7	RB6	RB5	RB4	RB3	RB2	RB1	RB0
W	1	EP7	EP6	EP5	EP4	EP3	EP2	EP1	EP0
R	1	EP7	EP6	EP5	EP4	EP3	EP2	EP1	EP0

Figure 6.11: Row address end register low byte (PAGE0 -09h)

These commands (R02h~R09h) are used to define area of frame memory where MCU can access. The values of SC[15:0], EC[15:0], SP[15:0] and EP[15:0] are referred when RAMWR command comes. Each value of SC[15:0], EC[15:0] represents one column line in the Frame Memory. Each value of SP[15:0], EP[15:0] represents one page line in the Frame Memory.



**6.9 Partial area start row register (PAGE0 -0A~0Bh)**

R/W	DNC	RB7	RB6	RB5	RB4	RB3	RB2	RB1	RB0
W	1	PSL 15	PSL 14	PSL 13	PSL 12	PSL 11	PSL 10	PSL 9	PSL 8
R	1	PSL 15	PSL 14	PSL 13	PSL 12	PSL 11	PSL 10	PSL 9	PSL 8

Figure 6.12: Partial area start row register upper byte (PAGE0 -0Ah)

R/W	DNC	RB7	RB6	RB5	RB4	RB3	RB2	RB1	RB0
W	1	PSL 7	PSL 6	PSL 5	PSL 4	PSL 3	PSL 2	PSL 1	PSL 0
R	1	PSL 7	PSL 6	PSL 5	PSL 4	PSL 3	PSL 2	PSL 1	PSL 0

Figure 6.13: Partial area start row register low byte (PAGE0 -0Bh)

**6.10 Partial area end row register (PAGE0 -0C~0Dh)**

R/W	DNC	RB7	RB6	RB5	RB4	RB3	RB2	RB1	RB0
W	1	PEL 15	PEL 14	PEL 13	PEL 12	PEL 11	PEL 10	PEL 9	PEL 8
R	1	PEL 15	PEL 14	PEL 13	PEL 12	PEL 11	PEL 10	PEL 9	PEL 8

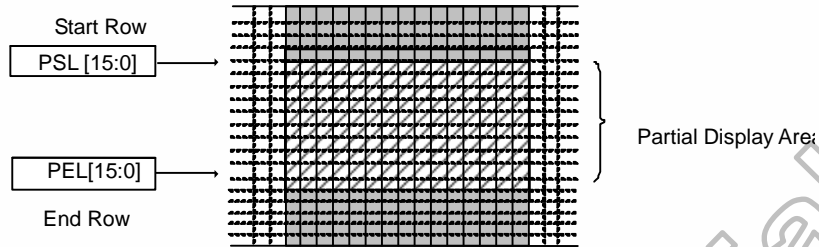
Figure 6.14: Partial area end row register upper byte (PAGE0 -0Ch)

R/W	DNC	RB7	RB6	RB5	RB4	RB3	RB2	RB1	RB0
W	1	PEL 7	PEL 6	PEL 5	PEL 4	PEL 3	PEL 2	PEL 1	PEL 0
R	1	PEL 7	PEL 6	PEL 5	PEL 4	PEL 3	PEL 2	PEL 1	PEL 0

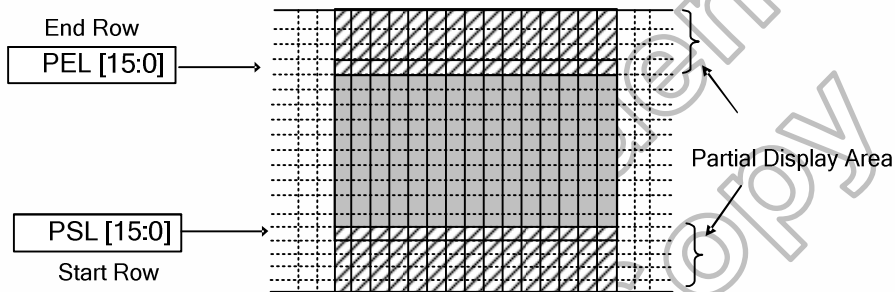
Figure 6.15: Partial area end row register low byte (PAGE0 -0Dh)

These commands (PAGE0 -0Ah~~0Dh) define the partial mode's display area. The Start Row (PSL) and the second the End Row (PEL) are illustrated in the figures below. PSL and PEL refer to the Frame Memory Line Pointer.

If End Row > Start Row



If End Row < Start Row



If End Row = Start Row then the Partial Area will be one row deep.

**6.11 Vertical scroll top fixed area register (PAGE0 -0E~0Fh)**

R/W	DNC	RB7	RB6	RB5	RB4	RB3	RB2	RB1	RB0
W	1	TFA 15	TFA 14	TFA 13	TFA 12	TFA 11	TFA 10	TFA 9	TFA 8
R	1	TFA 15	TFA 14	TFA 13	TFA 12	TFA 11	TFA 10	TFA 9	TFA 8

Figure 6.16: Vertical scroll top fixed area register upper byte (PAGE0 -0Eh)

R/W	DNC	RB7	RB6	RB5	RB4	RB3	RB2	RB1	RB0
W	1	TFA 7	TFA 6	TFA 5	TFA 4	TFA 3	TFA 2	TFA 1	TFA 0
R	1	TFA 7	TFA 6	TFA 5	TFA 4	TFA 3	TFA 2	TFA 1	TFA 0

Figure 6.17: Vertical scroll top fixed area register low byte (PAGE0 -0Fh)

**6.12 Vertical scroll height area register (PAGE0 -10~11h)**

R/W	DNC	RB7	RB6	RB5	RB4	RB3	RB2	RB1	RB0
W	1	VSA 15	VSA 14	VSA 13	VSA 12	VSA 11	VSA 10	VSA 9	VSA 8
R	1	VSA 15	VSA 14	VSA 13	VSA 12	VSA 11	VSA 10	VSA 9	VSA 8

Figure 6.18: Vertical scroll height area register upper byte (PAGE0 -10h)

R/W	DNC	RB7	RB6	RB5	RB4	RB3	RB2	RB1	RB0
W	1	VSA 7	VSA 6	VSA 5	VSA 4	VSA 3	VSA 2	VSA 1	VSA 0
R	1	VSA 7	VSA 6	VSA 5	VSA 4	VSA 3	VSA 2	VSA 1	VSA 0

Figure 6.19: Vertical scroll height area register low byte (PAGE0 -11h)

**6.13 Vertical scroll button fixed area register (PAGE0 -12~13h)**

R/W	DNC	RB7	RB6	RB5	RB4	RB3	RB2	RB1	RB0
W	1	BFA 15	BFA 14	BFA 13	BFA 12	BFA 11	BFA 10	BFA 9	BFA 8
R	1	BFA 15	BFA 14	BFA 13	BFA 12	BFA 11	BFA 10	BFA 9	BFA 8

Figure 6.20: Vertical scroll button fixed area register upper byte (PAGE0 -12h)

R/W	DNC	RB7	RB6	RB5	RB4	RB3	RB2	RB1	RB0
W	1	BFA 7	BFA 6	BFA 5	BFA 4	BFA 3	BFA 2	BFA 1	BFA 0
R	1	BFA 7	BFA 6	BFA 5	BFA 4	BFA 3	BFA 2	BFA 1	BFA 0

Figure 6.21: Vertical scroll button fixed area register low byte (PAGE0 -13h)



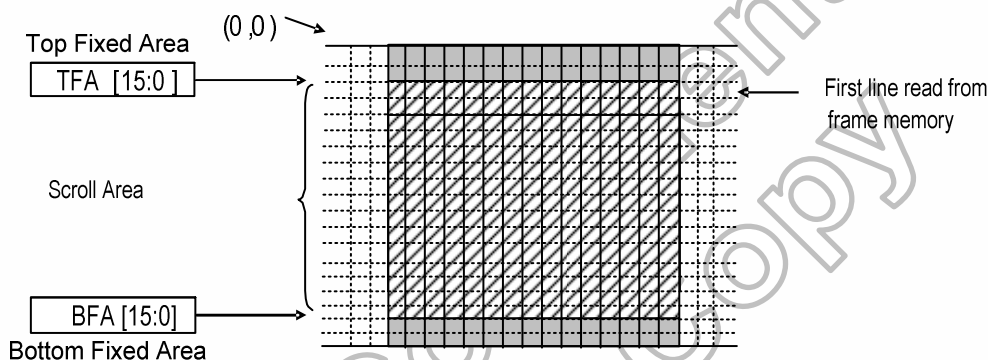
These commands (PAGE0 -0E~0Fh, R10~11h, R12~13h) define the Vertical Scrolling Area of the display.

**TFA[15:0]** describes the Top Fixed Area (in No. of lines from Top of the Frame Memory and Display).

**VSA[15:0]** describes the height of the Vertical Scrolling Area (in No. of lines of the Frame Memory [not the display] from the Vertical Scrolling Start Address). The first line read from Frame Memory appears immediately after the bottom most line of the Top Fixed Area.

**BFA[15:0]** describes the Bottom Fixed Area (in No. of lines from Bottom of the Frame Memory and Display).

TFA, VSA and BFA refer to the Frame Memory Line Pointer.



Please note that (TFA+VSA+BFA) must be set to '320d', otherwise Scrolling mode is undefined. In Vertical Scroll Mode, **MV** bit should be set to '0' – this only affects the Frame Memory Write.

**6.14 Vertical scroll start address register (PAGE0 -14~15h)**

R/W	DNC	RB7	RB6	RB5	RB4	RB3	RB2	RB1	RB0
W	1	VSP 15	VSP 14	VSP 13	VSP 12	VSP 11	VSP 10	VSP 9	VSP 8
R	1	VSP 15	VSP 14	VSP 13	VSP 12	VSP 11	VSP 10	VSP 9	VSP 8

Figure 6.22: Vertical scroll start address register upper byte (PAGE0 -14h)

R/W	DNC	RB7	RB6	RB5	RB4	RB3	RB2	RB1	RB0
W	1	VSP 7	VSP 6	VSP 5	VSP 4	VSP 3	VSP 2	VSP 1	VSP 0
R	1	VSP 7	VSP 6	VSP 5	VSP 4	VSP 3	VSP 2	VSP 1	VSP 0

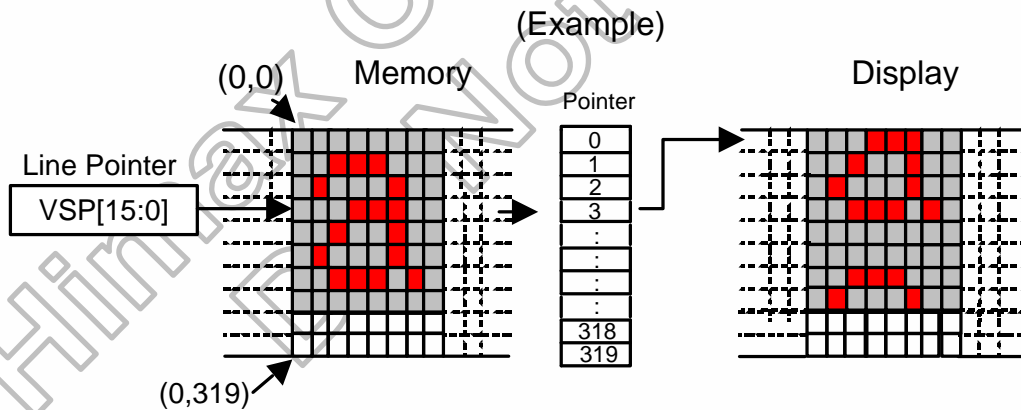
Figure 6.23: Vertical scroll start address register low byte (PAGE0 -15h)

**VSP[15:0]** is used together with Vertical Scrolling Definition register (PAGE0 -0Eh~R13h), which describe the scrolling area and the scrolling mode.

**VSP[15:0]** refers to the Frame Memory line Pointer, and describes the address of the line in the Frame Memory that will be written as the first line after the last line of the Top Fixed Area on the display as illustrated below:

Example:

When Top Fixed Area TFA = '00d', Bottom Fixed Area BFA = '02'd, Vertical Scrolling Area VSA = '318'd and VSP = '3d' (**SS\_Panel** = '0', **GS\_Panel** = '0')



When new Pointer position and Picture Data are sent, the result on the display will happen at the next Panel Scan to avoid tearing effect.

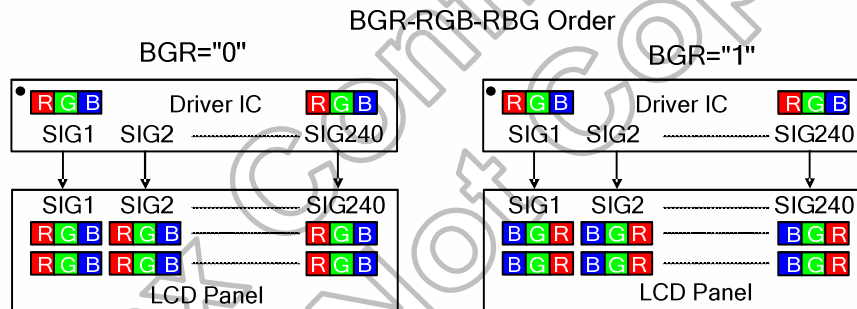
**6.15 Memory access control register (PAGE0 -16h)**

<b>RW</b>	<b>DNC</b>	RB7	RB6	RB5	RB4	RB3	RB2	RB1	RB0
<b>W</b>	<b>1</b>	MY	MX	MV	ML	BGR	*	*	*
<b>R</b>	<b>1</b>	MY	MX	MV	ML	BGR	0	0	0

**Figure 6.24: Memory access control register (PAGE0 -16h)**

This command defines read/write scanning direction of frame memory. **MX**, **MY** bits also define the display direction in the RGB interface. This command makes no change on the other driver status. For details, please refer to “5.2.1 System interface to GRAM Write Direction” section.

Bit	Name	Description
MY	PAGE ADDRESS ORDER	These 3 bits controls MCU to memory write/read direction. “MCU to memory write/read direction”
MX	COLUMN ADDRESS ORDER	
MV	PAGE/COLUMN SELECTION	
ML	Vertical ORDER	LCD vertical refresh direction control
BGR	RGB-BGR ORDER	Color selector switch control (0=RGB color filter panel, 1=BGR color filter panel)



**6.16 COLMOD control register (PAGE0 -17h)**

<b>R/W</b>	<b>DNC</b>	RB7	RB6	RB5	RB4	RB3	RB2	RB1	RB0
<b>W</b>	<b>1</b>	CSEL3	CSEL2	CSEL1	CSEL0	*	IFPF2	IFPF1	IFPF0
<b>R</b>	<b>1</b>	CSEL3	CSEL2	CSEL1	CSEL0	*	IFPF2	IFPF1	IFPF0

Figure 6.25: COLMOD control register (PAGE0 -17h)

This command is used to define the format of RGB picture data, which is to be transfer via the system and RGB interface. The formats are shown in the table:

System interface

Interface Format	IFPF2	IFPF1	IFPF0
Not Defined	0	0	0
Not Defined	0	0	1
Not Defined	0	1	0
12 Bit/Pixel	0	1	1
Not Defined	1	0	0
16 Bit/Pixel	1	0	1
18 Bit/Pixel	1	1	0
18 Bit/Pixel at 16-bits data bus interface (16+2)	1	1	1

RGB interface

Interface Format	CSEL3	CSEL2	CSEL1	CSEL0
16 Bit/Pixel	0	1	0	1
18 Bit/Pixel	0	1	1	0
6 Bit/Pixel	1	1	1	0
Not Defined	The Other Setting			

**6.17 OSC control register (PAGE0 -18h & R19h)**

<b>R/W</b>	<b>DNC</b>	RB7	RB6	RB5	RB4	RB3	RB2	RB1	RB0
<b>W</b>	<b>1</b>	I/P_R ADJ3	I/P_R ADJ2	IP_RA DJ1	I/P_R ADJ0	N/P_R ADJ3	N/P_R ADJ2	N/P_R ADJ1	N/P_R ADJ0
<b>R</b>	<b>1</b>	I/P_R ADJ3	I/P_R ADJ2	IP_RA DJ1	I/P_R ADJ0	N/P_R ADJ3	N/P_R ADJ2	N/P_R ADJ1	N/P_R ADJ0

Figure 6.26: OSC control 1 register (PAGE0 -18h)

<b>R/W</b>	<b>DNC</b>	RB7	RB6	RB5	RB4	RB3	RB2	RB1	RB0
<b>W</b>	<b>1</b>	*	*	*	*	*	*	*	OSC_EN
<b>R</b>	<b>1</b>	0	0	0	0	0	0	0	OSC_EN

Figure 6.27: OSC control 2 register (PAGE0 -19h)

These commands are used to set internal oscillator related setting

**OSC\_EN:** Enable internal oscillator, OSC\_EN = '1', internal oscillator start to oscillate. OSC\_EN = '0', internal oscillator stop. In RGB interface mode (PAGE0 -RCM[1:0] = '10' or '11'), internal oscillator will be stop to oscillate and OSC\_EN bit control is invalid.

**N/P\_RADJ[2:0]:** Internal oscillator frequency adjusts in Normal / Partial mode.

**I/PI\_RADJ[2:0]:** Internal oscillator frequency adjusts in Idle(8-color) / Partial Idle mode.

For details, please refer to "5.5 Oscillator" section.

RADJ3	RADJ2	RADJ1	RADJ0	Internal Oscillator Frequency	Display Frame rate
0	0	0	0	50% x 2.75MHz	30Hz
0	0	0	1	67% x 2.75MHz	40Hz
0	0	1	0	75% x 2.75MHz	45Hz
0	0	1	1	83% x 2.75MHz	50Hz
0	1	0	0	100% x2.75MHz	60Hz
0	1	0	1	108% x 2.75MHz	65Hz
0	1	1	0	117% x 2.75MHz	70Hz
0	1	1	1	125% x 2.75MHz	75Hz
1	0	0	0	100% x 2.75MHz	60Hz
1	0	0	1	133% x 2.75MHz	80Hz
1	0	1	0	150% x 2.75MHz	90Hz
1	0	1	1	167% x 2.75MHz	100Hz
1	1	0	0	200% x 2.75MHz	120Hz
1	1	0	1	217% x 2.75MHz	130Hz
1	1	1	0	233% x 2.75MHz	140Hz
1	1	1	1	250% x 2.75MHz	150Hz

**6.18 Power control 1 register (PAGE0 -1Ah)**

<b>R/W</b>	<b>DNC</b>	RB7	RB6	RB5	RB4	RB3	RB2	RB1	RB0
<b>W</b>	<b>1</b>	*	*	*	*	*	BT2	BT1	BT0
<b>R</b>	<b>1</b>	*	*	*	*	*	BT2	BT0	BT0

**Figure 6.28: Power control 1 register (PAGE0 -1Ah)**

**BT[2:0]:** Switch the output factor of step-up circuit 2 for VGH and VGL voltage generation. The LCD drive voltage level can be selected according to the characteristic of liquid crystal which panel used. Lower amplification of the step-up circuit consumes less current and then the power consumption can be reduced.

BT2	BT1	BT0	DDVDH	VCL	VGH	VGL
0	0	0	5.0V	-VCI	3DDVDH	-VCI-2DDVDH
0	0	1	5.0V	-VCI	3DDVDH	-2DDVDH
0	1	0	5.0V	-VCI	3DDVDH	VCI-2DDVDH
0	1	1	5.0V	-VCI	VCI+2DDVDH	-VCI-2DDVDH
1	0	0	5.0V	-VCI	VCI+2DDVDH	-2DDVDH
1	0	1	5.0V	-VCI	VCI+2DDVDH	VCI-2DDVDH
1	1	0	5.0V	-VCI	2DDVDH	-2DDVDH
1	1	1	5.0V	-VCI	2DDVDH	-VCI-DDVDH

**Note:** When VCI = 2.8V, DDVDH\_TRI=0

BT2	BT1	BT0	DDVDH	VCL	VGH	VGL
0	0	0	6.1V	-VCI	Setting inhabited	Setting inhabited
0	0	1	6.1V	-VCI	3DDVDH	-2DDVDH
0	1	0	6.1V	-VCI	3DDVDH	VCI-2DDVDH
0	1	1	6.1V	-VCI	VCI+2DDVDH	-VCI-2DDVDH
1	0	0	6.1V	-VCI	VCI+2DDVDH	-2DDVDH
1	0	1	6.1V	-VCI	VCI+2DDVDH	VCI-2DDVDH
1	1	0	6.1V	-VCI	2DDVDH	-2DDVDH
1	1	1	6.1V	-VCI	2DDVDH	-VCI-DDVDH

**Note:** When VCI = 2.8V, DDVDH\_TRI=1

**6.19 Power control 2 register (PAGE0 -1Bh)**

	<b>R/W</b>	<b>DNC</b>	RB7	RB6	RB5	RB4	RB3	RB2	RB1	RB0
<b>W</b>		<b>1</b>	*	*	VRH5	VRH4	VRH3	VRH2	VRH1	VRH0
<b>R</b>		<b>1</b>	*	*	VRH5	VRH4	VRH3	VRH2	VRH1	VRH0

Figure 6.29: Power control 2 register (PAGE0 -1Bh)

**VRH[4:0]:** Specify the VREG1 voltage adjusting. VREG1 voltage is for gamma voltage setting.  $VREG1 = \text{Decimal}(VRH[5:0]) \times 0.05 + 3.3$ .

VRH5	VRH4	VRH3	VRH2	VRH1	VRH0	VREG1 (DDVDH_TRI=0)	VREG1 (DDVDH_TRI=1)
0	0	0	0	0	0	3.30	3.30
0	0	0	0	0	1	3.35	3.35
0	0	0	0	1	0	3.40	3.40
0	0	0	0	1	1	3.45	3.45
0	0	0	1	0	0	3.50	3.50
0	0	0	1	0	1	3.55	3.55
0	0	0	1	1	0	3.60	3.60
0	0	0	1	1	1	3.65	3.65
0	0	1	0	0	0	3.70	3.70
:	:	:	:	:	:	:	:
0	1	1	1	0	1	4.75	4.75
0	1	1	1	1	0	4.80	4.80
0	1	1	1	1	1	STOP	4.85
1	0	0	0	0	0	STOP	4.90
1	0	0	0	0	1	STOP	4.95
:	:	:	:	:	:	:	:
1	1	0	0	0	0	STOP	5.70
1	1	0	0	0	1	STOP	5.75
1	1	0	0	1	0	STOP	5.80
1	1	0	0	1	1	STOP	STOP
1	1	1	0	1	1	STOP	STOP
:	:	:	:	:	:	:	:
1	1	1	1	1	0	STOP	STOP
1	1	1	1	1	1	Internal circuit operations stop. The gamma voltage can be adjusted from external VREG1 input.	

**Note:** Internal VREF can be modified by Custom' s special request. default VREF=4.8 if

DDVDH\_TRI=0 and VREF=5.8 if DDVDH\_TRI=1

$VREG1 = \{\text{Decimal}(VRH[5:0]) \times 0.05 + 3.3\} \times (VREF/4.8)$  if DDVDH\_TRI=0.

$VREG1 = \{\text{Decimal}(VRH[5:0]) \times 0.05 + 3.3\} \times (VREF/5.8)$  if DDVDH\_TRI=1.

**6.20 Power control 3 register (PAGE0 -1Ch)**

<b>R/W</b>	<b>DNC</b>	RB7	RB6	RB5	RB4	RB3	RB2	RB1	RB0
W	1	*	*	*	*	*	AP2	AP1	AP0
R	1	*	*	*	*	*	AP2	AP1	AP0

Figure 6.30: Power control 3 register (PAGE0 -1Ch)

**AP[2:0]:** Adjust the amount of current driving for the operational amplifier in the power supply circuit. When the amount of fixed current is increased, the LCD driving capacity and the display quality are high, but the current consumption is increased. Adjust the fixed current by considering both the display quality and the current consumption.

AP2	AP1	AP0	Constant Current of Operational Amplifier
0	0	0	Operation of the operational amplifier stops
0	0	1	Small
0	1	0	Small
0	1	1	Small
1	0	0	Medium
1	0	1	Medium High
1	1	0	Large
1	1	1	Setting Inhibited

**6.21 Power control 4 register (PAGE0 -1Dh)**

<b>R/W</b>	<b>DNC</b>	RB7	RB6	RB5	RB4	RB3	RB2	RB1	RB0
W	1	*	I/PI_F S02	I/PI_F S01	I/PI_F S00	*	N/P_ FS02	N/P_ FS01	N/P_ FS00
R	1	*	I/PI_F S02	I/PI_F S01	I/PI_F S00	*	N/P_ FS02	N/P_ FS01	N/P_ FS00

Figure 6.31: Power control 4 register (PAGE0 -1Dh)

**N/P\_FS0[2:0]:** Set the operating frequency of the step-up circuit 1 and extra step-up circuit 1 for DDVDH voltage generation in Normal / Partial mode.



**I/PI\_FS0[2:0]:** Set the operating frequency of the step-up circuit 1 and extra step-up circuit 1 for DDVDH voltage generation in Idle(8-color) / Partial Idle mode.

For details, please refer to “5.5 Oscillator” section.

FS02	FS01	FS00	Operation Frequency of Step-up Circuit 1 and Extra Step-up Circuit 1
0	0	0	¼ x H Line Frequency
0	0	1	½ x H Line Frequency
0	1	0	1 x H Line Frequency
0	1	1	1.5 x H Line Frequency
1	0	0	2 x H Line Frequency
1	0	1	3 x H Line Frequency
1	1	0	4 x H Line Frequency
1	1	1	8 x H Line Frequency

**6.22 Power control 5 register (PAGE0 -1Eh)**

R/W	DNC	RB7	RB6	RB5	RB4	RB3	RB2	RB1	RB0
W	1	*	I/PI_F S12	I/PI_F S11	I/PI_F S10	*	N/P_FS12	N/P_FS11	N/P_FS10
R	1	*	I/PI_F S12	I/PI_F S11	I/PI_F S10	*	N/P_FS12	N/P_FS11	N/P_FS10

Figure 6.32: Power control 5 register (PAGE0 -1Eh)

**N/P\_FS1[2:0]:** Set the operating frequency of the step-up circuit 2 and 3 for VGH, VGL and VCL voltage generation in Normal / Partial mode.

**I/PI\_FS1[2:0]:** Set the operating frequency of the step-up circuit 2 and 3 for VGH, VGL and VCL voltage generation in Idle(8-color) / Partial Idle mode.

For details, please refer to “5.5 Oscillator” section.

FS12	FS11	FS10	Operation Frequency of Step-up Circuit 2 , Step-up Circuit 3
0	0	0	¼ x H Line Frequency
0	0	1	½ x H Line Frequency
0	1	0	1 x H Line Frequency
0	1	1	1.5 x H Line Frequency
1	0	0	2 x H Line Frequency
1	0	1	3 x H Line Frequency
1	1	0	4 x H Line Frequency
1	1	1	8 x H Line Frequency

**Note:** Ensure that the operation frequency of step-up circuit 1 ≥ step-up circuit 2

**6.23 Power control 6 register (PAGE0 -1Fh)**

<b>RW</b>	<b>DNC</b>	RB7	RB6	RB5	RB4	RB3	RB2	RB1	RB0
<b>W</b>	<b>1</b>	GAS EN	VCO MG	*	PON	DK	XDK	DDV DH_T RI	STB
<b>R</b>	<b>1</b>	GAS EN	VCO MG	*	PON	DK	XDK	DDV DH_T RI	STB

Figure 6.33: Power control 6 register (PAGE0 -1Fh)

**PON:** Specify on/off control of step-up circuit 2 for VCL, VGL voltage generation. For detail, see the Power On/Off Setting Flow.

PON	Operation of Step-up Circuit 2
0	OFF
1	ON

**DK:** Specify on/off control of step-up circuit 1 for DDVDH voltage generation. For detail, see the Power Supply Setting Sequence.

DK	Operation of Step-up Circuit 1
0	ON
1	OFF

**STB:** When **STB** = '1', the HX8347-G into the standby mode, where all display operations stop, suspend all the internal operations including the internal R-C oscillator. During the standby mode, only the following process can be executed. For details, please refer to STB mode flow.

- a. Start the oscillation
- b. Exit the Standby mode (STB = "0") ,

In the standby mode, the GRAM data and register content are retained.

**XDK, DDVDH\_TRI:** Specify the ratio of step-up circuit for DDVDH voltage generation.

DDVDH_TRI	XDK	Step-up Circuit 1	Capacitor Connection Pins Used
0	0	2 x VCI	C11P, C11N
0	1	2 x VCI	C11P, C11N, C12P, C12N
1	0	3 x VCI	C11P, C11N, C12P, C12N
1	1	Setting inhabited	Setting inhabited

**VCOMG:** When **VCOMG** = '1', VCOML voltage can output to negative voltage (1.0V ~ VCL+0.5V). When **VCOMG** = '0', VCOML outputs GND and **VML[7:0]** setting are invalid. Then, low power consumption is accomplished.

**GASEN:** This stands for abnormal power-off monitor function when the power is off.

**6.24 Read data register (PAGE0 -22h)**

R/W	RS	RB17	RB16	RB15	RB14	RB13	RB12	RB11	RB10	RB9	RB8	RB7	RB6	RB5	RB4	RB3	RB2	RB1	RB0
W	1	WD 17	WD 16	WD 15	WD 14	WD 13	WD 12	WD 11	WD 10	WD 9	WD 8	WD 7	WD 6	WD 5	WD 4	WD 3	WD 2	WD 1	WD 0
R	1	RD 17	RD 16	RD 15	RD 14	RD 13	RD 12	RD 11	RD 10	RD 9	RD 8	RD 7	RD 6	RD 5	RD 4	RD 3	RD 2	RD 1	RD 0

**Figure 6.34: Read data register (PAGE0 -22h)**

**WD[17:0]** : Transforms the data into 18-bit bus before written to GRAM through the write data register (WDR). After a write operation is issued, the address is automatically updated according to the AM and I/D bits.

**RD[17:0]**: Read 18-bit data from GRAM through the read data register (RDR). When the data is read by microcomputer, the first-word read immediately after the GRAM address setting is latched from the GRAM to the internal read-data latch. The data on the data bus (D17–0) becomes invalid and the second-word read is normal.

Himax Confidential  
Do Not Copy

**6.25 VCOM control 1~3 register (PAGE0 -23~25h)**

R/W	DNC	RB7	RB6	RB5	RB4	RB3	RB2	RB1	RB0
W	1	VMF 7	VMF 6	VMF 5	VMF 4	VMF 3	VMF 2	VMF 1	VMF 0
R	1	VMF 7	VMF 6	VMF 5	VMF 4	VMF 3	VMF 2	VMF 1	VMF 0

Figure 6.35: Vcom control 1 register (PAGE0 -23h)

R/W	DNC	RB7	RB6	RB5	RB4	RB3	RB2	RB1	RB0
W	1	VMH 7	VMH 6	VMH 5	VMH 4	VMH 3	VMH 2	VMH 1	VMH 0
R	1	VMH 7	VMH 6	VMH 5	VMH 4	VMH 3	VMH 2	VMH 1	VMH 0

Figure 6.36: Vcom control 2 register (PAGE0 -24h)

R/W	DNC	RB7	RB6	RB5	RB4	RB3	RB2	RB1	RB0
W	1	VML 7	VML 6	VML 5	VML 4	VML 3	VML 2	VML 1	VML 0
R	1	VML 7	VML 6	VML 5	VML 4	VML 3	VML 2	VML 1	VML 0

Figure 6.37: Vcom control 3 register (PAGE0 -25h)

This command is used to set VCOM Voltage include VCOM Low and VCOM High Voltage

Himax Confidential Do Not

**VMH[7:0]:** Set the VCOMH voltage (High level voltage of VCOM). VCOM High voltage = Decimal(VMH[7:0])x0.015+2.5.

VMH7	VMH6	VMH5	VMH4	VMH3	VMH2	VMH1	VMH0	VCOMH (DDVDH_TRI=0)	VCOMH (DDVDH_TRI=1)
0	0	0	0	0	0	0	0	2.500	2.500
0	0	0	0	0	0	0	1	2.515	2.515
0	0	0	0	0	0	1	0	2.530	2.530
0	0	0	0	0	0	1	1	2.545	2.545
0	0	0	0	0	1	0	0	2.560	2.560
0	0	0	0	0	1	0	1	2.575	2.575
:	:	:	:	:	:	:	:	:	:
:	:	:	:	:	:	:	:	:	:
1	0	0	1	0	0	1	1	4.705	4.705
1	0	0	1	0	1	0	0	4.720	4.720
1	0	0	1	0	1	0	1	4.735	4.735
1	0	0	1	0	1	1	0	4.750	4.750
1	0	0	1	0	1	1	1	4.765	4.765
1	0	0	1	1	0	0	0	4.780	4.780
1	0	0	1	1	0	0	1	4.795	4.795
1	0	0	1	1	0	1	0	4.800	4.810
1	0	0	1	1	0	1	1	4.800	4.825
1	0	0	1	1	1	0	0	4.800	4.840
1	0	0	1	1	1	0	1	4.800	4.855
:	:	:	:	:	:	:	:	4.800	:
1	1	0	0	1	0	0	0	4.800	5.800
:	:	:	:	:	:	:	:	4.800	5.800
1	1	1	1	1	1	1	0	4.800	5.800
1	1	1	1	1	1	1	1	Setting inhibited	

**Note:** Internal VREF can be modified by customer's request. default VREF=4.8 if DDVDH\_TRI=0, and VREF=5.8 if DDVDH\_TRI=1

**VCOMH**= { Decimal(VMH[7:0])x0.015+2.5 }\*(VREF/4.8) if DDVDH\_TRI=0

**VCOMH**= { Decimal(VMH[7:0])x0.015+2.5 }\*(VREF/5.8) if DDVDH\_TRI=1

**VML[7:0]:** Set the VCOML voltage (Low level voltage of VCOM). VCOM Low voltage = Decimal(VML[7:0])x0.015-2.5.

VML7	VML6	VML5	VML4	VML3	VML2	VML1	VML0	VCOML
0	0	0	0	0	0	0	0	-2.500
0	0	0	0	0	0	0	1	-2.485
0	0	0	0	0	0	1	0	-2.470
0	0	0	0	0	1	0	1	-2.455
:	:	:	:	:	:	:	:	:
1	0	1	0	0	0	1	1	-0.055
1	0	1	0	0	1	0	0	-0.040
1	0	1	0	0	1	0	1	-0.025
1	0	1	0	0	1	1	0	-0.010
1	0	1	0	0	1	1	1	VSS
:	:	:	:	:	:	:	:	:
1	1	1	1	1	1	1	1	VSS

**Note:** Internal VREF can be modified by customer's request. default VREF=4.8 if DDVDH\_TRI=0 and VREF=5.8 if DDVDH\_TRI=1

**VCOML**= { Decimal ( VML[7:0])x0.015-2.5 }\*(VREF/4.8) if DDVDH\_TRI=0,

**VCOML**= { Decimal ( VML[7:0])x0.015-2.5 }\*(VREF/5.8) if DDVDH\_TRI=1

**VMF[7:0]:** Set the VCOM offset voltage. VMH+1d/VML+1d means VMH/VML from original setting move up one step (15mV). VMH-1d/VML-1d means VMH/VML from original setting move down one step (15mV)

VMF[7:0]	VCOMH	VCOML
0	"VMH" - 128d	"VMH" - 128d
1	"VMH" - 127d	"VMH" - 127d
2	"VMH" - 126d	"VMH" - 126d
3	"VMH" - 125d	"VMH" - 125d
:	:	:
126	"VMH" - 2d	"VMH" - 2d
127	"VMH" - 1d	"VMH" - 1d
128	"VMH"	"VML"
129	"VMH" + 1d	"VMH" + 1d
130	"VMH" + 2d	"VMH" + 2d
:	:	:
254	"VMH" + 126d	"VMH" + 126d
255	"VMH" + 127d	"VMH" + 127d

**Note:** VMH[7:0]-128+VMF[7:0]>=0 and VML[7:0]-128+VMF[7:0]>=0

Himax Confidential  
Do Not Copy

**6.26 Display control 1 register (PAGE0 -26h~R28h)**

<b>RW</b>	<b>DNC</b>	RB7	RB6	RB5	RB4	RB3	RB2	RB1	RB0
<b>W</b>	<b>1</b>	*	*	*	*	ISC3	ISC2	ISC1	ISC0
<b>R</b>	<b>1</b>	*	*	*	*	ISC3	ISC2	ISC1	ISC0

Figure 6.38: Display control 1 register (PAGE0 -26h)

<b>RW</b>	<b>DNC</b>	RB7	RB6	RB5	RB4	RB3	RB2	RB1	RB0
<b>W</b>	<b>1</b>	PT1	PT0	PTV 1	PTV 0	*	*	PTG	REF
<b>R</b>	<b>1</b>	PT1	PT0	PTV 1	PTV 0	*	*	PTG	REF

Figure 6.39: Display control 2 register (PAGE0 -27h)

<b>RW</b>	<b>DNC</b>	RB7	RB6	RB5	RB4	RB3	RB2	RB1	RB0
<b>W</b>	<b>1</b>	*	*	GON	DTE	D1	D0	*	*
<b>R</b>	<b>1</b>	*	*	GON	DTE	D1	D0	0	0

Figure 6.40: Display control 3 register (PAGE0 -28h)

**ISC[3:0]:** Specify the scan cycle of gate driver when **REF** = '1' in non-display area. Then scan cycle is set to an odd number from 0~31. The polarity is inverted every scan cycle.

ISC3	ISC2	ISC1	ISC0	Scan Cycle	f <sub>FLM</sub> = 60Hz
0	0	0	0	1 frame	17ms
0	0	0	1	5 frames	83ms
0	0	1	0	9 frames	150ms
0	0	1	1	13 frames	217ms
0	1	0	0	17 frames	283ms
0	1	0	1	21 frames	350ms
0	1	1	0	25 frames	417ms
0	1	1	1	29 frames	483ms
1	0	0	0	33 frames	550ms
1	0	0	1	37 frames	616ms
1	0	1	0	41 frames	683ms
1	0	1	1	45 frames	750ms
1	1	0	0	49 frames	816ms
1	1	0	1	53 frames	883ms
1	1	1	0	57 frames	950ms
1	1	1	1	Setting inhibited	

**REF:** Refresh display in non-display area in Partial mode enable bit.  
 REF = '0': Refresh display operation is disabling.  
 REF = '1': Refresh display operation is enabling.

**PTG:** Specify the scan mode of gate driver in non-display area.

PTG	Gate Outputs in Non-display Area
0	Normal Drive
1	Fixed VGL

**PTV[1:0]:** Specify the scan mode of VCOM in non-display area.

PTV1	PTV0	VCOM Outputs in Non-display Area
0	0	Normal Drive
0	1	Fixed to VCOML
1	0	Fixed to GND
1	1	Setting Inhibited

**PT[1:0] :** Specify the Non-display area source output in partial display mode.

REV_panel	GRAM Data	Source Output Level							
		Display area		Non-display Area					
		VCOM = "L"	VCOM = "H"	PT1-0=(0,*)		PT1-0=(1,0)		PT1-0=(1,1)	
				VCOM = "L"	VCOM = "H"	VCOM = "L"	VCOM = "H"	VCOM = "L"	VCOM = "H"
1 (Normally Black Panel)	18'h0000 : 18'h3FFF	V63P : V0P	V0N : V63N	V63P	V0N	VSSD	VSSD	Hi-z	Hi-z
0 (Normally White Panel)	18'h0000 : 18'h3FFF	V0P : V63P	V63N : V0N	V63P	V0N	VSSD	VSSD	Hi-z	Hi-z

**D[1:0]:** When D1='1', display is on; when D1='0', display is off. When display is off, the display data is retained in the GRAM, and can be instantly displayed by setting D1 = '1'. When D1='0', the display is off with the entire source outputs are set to the VSSD level. Because of this, the HX8347-G can control the charging current for the LCD with AC driving. Control the display on/off while control GON and DTE.

When D[1:0]= '01', the internal display of the HX8347-G is performed although the actual display is off. When D[1:0]= '00', the internal display operation halts and the display is off.

D1	D0	Source Output	HX8347-G Internal Display Operations	Gate-Driver Control Signals
0	0	VSSD	Halt	Halt
0	1	VSSD	Operate	Operate
1	0	=PT(0,0)	Operate	Operate
1	1	Display	Operate	Operate



**GON, DTE:**

GON	DTE	Gate Output
0	X	VGH
1	0	VGL
1	1	VGH/VGL

PT1	PT0	REF	ISC[3:0]	Source Output	VCOM Output	Gate Output
0	x	x	-	Black Display (REV_PANEL = '1') White Display (REV_PANEL = '0')	Normal Driving	Normal Driving
1	0	0	-	GND	PTV[1:0]	PTG
		1	Non-refresh cycle  Refresh cycle	GND  Black Display (REV_PANEL = '1') White Display (REV_PANEL = '0')	PTV[1:0]  Normal Driving	PTG  Normal Driving
1	1	0	-	Hi-z	PTV[1:0]	PTG
		1	Non-refresh cycle	Hi-z	PTV[1:0]	PTG
		1	Refresh cycle	Black Display (REV_PANEL = '1') White Display (REV_PANEL = '0')	Normal Driving	Normal Driving

**6.27 Frame control register (PAGE0 -29h~R2Ch)**

<b>RW</b>	<b>DNC</b>	RB7	RB6	RB5	RB4	RB3	RB2	RB1	RB0
<b>W</b>	<b>1</b>	I/P_R TN3	I/P_R TN2	I/P_R TN1	I/P_R TN0	N/P_RTN3	N/P_RTN2	N/P_RTN1	N/P_RTN0
<b>R</b>	<b>1</b>	I/P_R TN3	I/P_R TN2	I/P_R TN1	I/P_R TN0	N/P_RTN3	N/P_RTN2	N/P_RTN1	N/P_RTN0

**Figure 6.41: Frame control 1 register (PAGE0 -29h)**

<b>RW</b>	<b>DNC</b>	RB7	RB6	RB5	RB4	RB3	RB2	RB1	RB0
<b>W</b>	<b>1</b>	*	*	I/P_DIV1	I/P_DIV0	*	*	N/P_DIV1	N/P_DIV0
<b>R</b>	<b>1</b>	*	*	I/P_DIV1	I/P_DIV0	*	*	N/P_DIV1	N/P_DIV0

**Figure 6.42: Frame control 2 register (PAGE0 -2Ah)**

<b>RW</b>	<b>DNC</b>	RB7	RB6	RB5	RB4	RB3	RB2	RB1	RB0
<b>W</b>	<b>1</b>	N/P_DUM 7	N/P_DUM 6	N/P_DUM 5	N/P_DUM 4	N/P_DUM 3	N/P_DUM 2	N/P_DUM 1	N/P_DUM 0
<b>R</b>	<b>1</b>	N/P_DUM 7	N/P_DUM 6	N/P_DUM 5	N/P_DUM 4	N/P_DUM 3	N/P_DUM 2	N/P_DUM 1	N/P_DUM 0

**Figure 6.43: Frame control 3 register (PAGE0 -2Bh)**

<b>RW</b>	<b>DNC</b>	RB7	RB6	RB5	RB4	RB3	RB2	RB1	RB0
<b>W</b>	<b>1</b>	I/PI_DUM 7	I/PI_DUM 6	I/PI_DUM 5	I/PI_DUM 4	I/PI_DUM 3	I/PI_DUM 2	I/PI_DUM 1	I/PI_DUM 0
<b>R</b>	<b>1</b>	I/PI_DUM 7	I/PI_DUM 6	I/PI_DUM 5	I/PI_DUM 4	I/PI_DUM 3	I/PI_DUM 2	I/PI_DUM 1	I/PI_DUM 0

**Figure 6.44: Frame control 4 register (PAGE0 -2Ch)**

**N/P\_DIV[1:0]:** Specify the division ratio of internal clocks in Normal / Partial mode for internal operation. When used internal clock for the display operation, frame frequency can be adjusted with the **N/P\_RTN[3:0]** bits (1H period clock cycle), **N/P\_DIV[1:0]**, and **N/P\_DUM[7:0]** bits.

**I/PI\_DIV[1:0]:** Specify the division ratio of internal clocks in Idle (8-color) / Partial Idle mode for internal operation. When used internal clock for the display operation, frame frequency can be adjusted with the **I/PI\_RTN[3:0]** bits(1H period clock cycle), **I/PI\_DIV[1:0]**, and **I/PI\_DUM[7:0]** bits.

DIV1	DIV0	Division Ratio	Internal Display Operation Clock Frequency
0	0	1	fosc / 1
0	1	2	fosc / 2
1	0	4	fosc / 4
1	1	8	fosc / 8

**Note:** fosc = R-C oscillation frequency

**N/P\_RTN[3:0]:** Specify clock number of one line period in Normal / Partial mode for internal operation.

**I/PI\_RTN[3:0]:** Specify clock number of one line period in Idle (8-color) / Partial Idle mode for internal operation.

Clock cycles=1/internal operation clock frequency(fosc)

RTN[3:0]	Clock number per Line	RTN[3:0]	Clock number per Line
4'b0000	124	4'b1000	132
4'b0001	125	4'b1001	133
4'b0010	126	4'b1010	134
4'b0011	127	4'b1011	135
4'b0100	128	4'b1100	136
4'b0101	129	4'b1101	137
4'b0110	130	4'b1110	138
4'b0111	131	4'b1111	139

**N/P\_DUM[7:0]:** Specify dummy line number in blanking area of one frame in Normal / Partial mode for internal operation.

**I/PI\_DUM[7:0]:** Specify dummy line number in blanking area of one frame in Idle (8-color) / Partial Idle mode for internal operation.

DUM[7:0]	Line Number in Blanking Period
000d	Setting Inhibited
001d	Setting Inhibited
002d	2
003d	3
004d	4
:	:
190d	190
others	Setting Inhibited

**Formula for the Frame Frequency during internal display mode:**

$$\text{Frame frequency} = \text{fosc} / (\text{RTN} \times \text{DIV} \times (320 + \text{DUM})) \text{ [Hz]}$$

fosc: RC oscillation frequency

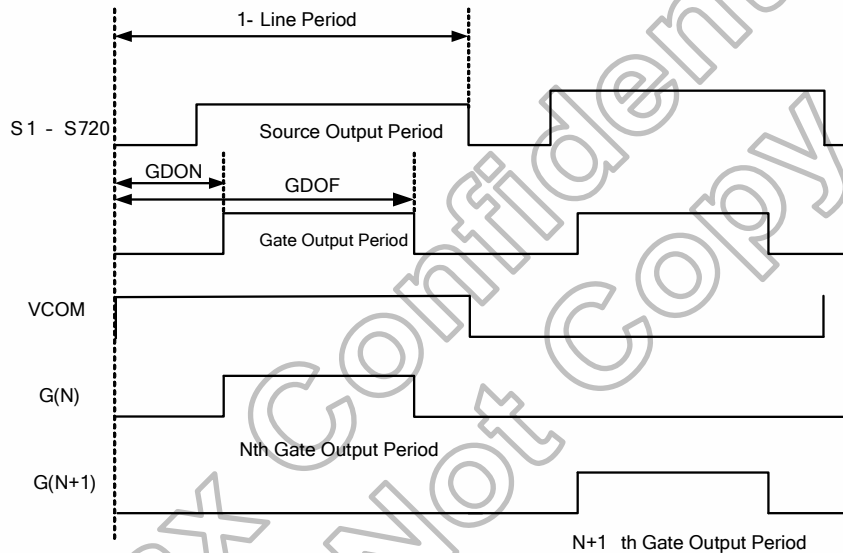
6.28 Cycle control register (PAGE0 -2Dh~R2Eh)

R/W	DNC	RB7	RB6	RB5	RB4	RB3	RB2	RB1	RB0
W	1	GDO N7	GDO N6	GDO N5	GDO N4	GDO N3	GDO N2	GDO N1	GDO N0
R	1	GDO N7	GDO N6	GDO N5	GDO N4	GDO N3	GDO N2	GDO N1	GDO N0

Figure 6.45: Cycle control register 1 (PAGE0 -2Dh)

R/W	DNC	RB7	RB6	RB5	RB4	RB3	RB2	RB1	RB0
W	1	GDO F7	GDO F6	GDO F5	GDO F4	GDO F3	GDO F2	GDO F1	GDO F0
R	1	GDO F7	GDO F6	GDO F5	GDO F4	GDO F3	GDO F2	GDO F1	GDO F0

Figure 6.46: Cycle control register 2 (PAGE0 -2Eh)



**GDON[7:0]:** Specify the valid gate output start time in 1-line driving period. The period time value is defined as SYSCLK number in internal clock display mode. The period time value is defined as DOTCLK number in 18/16-bit bus width RGB display mode and is defined as DOTCLK/3 number in 6-bit bus width RGB display mode. (Please note that the setting “00h”, “01h”, “02h” is inhibited).

**GDOF[7:0]:** Specify the gate output end time in 1-line driving period. The period time value is defined as SYSCLK number in internal clock display mode. The period time value is defined as DOTCLK number in 18/16-bit bus width RGB display mode and is defined as DOTCLK/3 number in 6-bit bus width RGB display mode.

(Please note that the  $GDON[7:0] + 1 \leq GDOF[7:0] \leq RTN-1$ ).

**6.29 Display inversion register (PAGE0 -2Fh)**

<b>R/W</b>	<b>DNC</b>	RB7	RB6	RB5	RB4	RB3	RB2	RB1	RB0
W	1	*	I/PI_ NW2	I/PI_ NW1	I/PI_ NW0	*	N/P_ NW2	N/P_ NW1	N/P_ NW0
R	1	*	I/PI_ NW2	I/PI_ NW1	I/PI_ NW0	*	N/P_ NW2	N/P_ NW1	N/P_ NW0

Figure 6.47: Cycle control register (PAGE0 -2Fh)

**N/P\_ NW[2:0]:** Specify LCD driving inversion type in Normal/ Partial mode.

**I/PI\_ NW[2:0]:** Specify LCD driving inversion type in Idle / Partial Idle mode.

NW[2:0]	LCD Driving Inversion Type
0d	Frame inversion
1d	1-line inversion
2d	2-line inversion
3d	3-line inversion
:	:
6d	6-line inversion
7d	7-line inversion

Himax Confidential  
Do Not Copy

**6.30 RGB interface control register (PAGE0 -31h~R34h)**

<b>RW</b>	<b>DNC</b>	RB7	RB6	RB5	RB4	RB3	RB2	RB1	RB0
<b>W</b>	<b>1</b>	*	*	*	*	*	*	RCM 1	RCM 0
<b>R</b>	<b>1</b>	0	0	0	0	0	0	RCM 1	RCM 0

Figure 6.48: RGB interface control register (PAGE0 -31h)

<b>RW</b>	<b>DNC</b>	RB7	RB6	RB5	RB4	RB3	RB2	RB1	RB0
<b>W</b>	<b>1</b>	*	*	*	*	DPL	HSPL	VSPL	EPL
<b>R</b>	<b>1</b>	0	0	0	*	DPL	HSPL	VSPL	EPL

Figure 6.49: RGB interface control register (PAGE0 -32h)

<b>RW</b>	<b>DNC</b>	RB7	RB6	RB5	RB4	RB3	RB2	RB1	RB0
<b>W</b>	<b>1</b>	HBP7	HBP6	HBP5	HBP4	HBP3	HBP2	HBP1	HBP0
<b>R</b>	<b>1</b>	HBP7	HBP6	HBP5	HBP4	HBP3	HBP2	HBP1	HBP0

Figure 6.50: RGB interface control register (PAGE0 -33h)

<b>RW</b>	<b>DNC</b>	RB7	RB6	RB5	RB4	RB3	RB2	RB1	RB0
<b>W</b>	<b>1</b>	HBP9	HBP8	VBP5	VBP4	VBP3	VBP2	VBP1	VBP0
<b>R</b>	<b>1</b>	HBP9	HBP8	VBP5	VBP4	VBP3	VBP2	VBP1	VBP0

Figure 6.51: RGB interface control register (PAGE0 -34h)

This command is used to set RGB interface related register

**RCM[1:0]:** RGB and MCU interface select.

RCM1	RCM0	Interface Select
0	x	System Interface <sup>(1)</sup>
1	0	RGB Interface(1) (VS+HS+DE)
1	1	RGB Interface(2) (VS+HS)

Note: (1) As RCM[1:0] bit be written, the external pin RCM[1:0] control is invalid.

**EPL:** Specify the polarity of ENABLE signal in RGB interface mode. EPL='1', the ENABLE signal is High active; EPL=0, the ENABLE signal is Low active.

EPL	ENABLE pin	Display image	Operation
0	High	Enable	Write data to D17-0
0	Low	Disable	Disable
1	High	Disable	Disable
1	Low	Enable	Write data to D17-0

**VSPL:** The polarity of VSYNC pin. When VSPL='0', the VSYNC signal is Low active. When VSPL=1, the VSYNC signal is High active.

**HSPL:** The polarity of HSYNC pin. When HSPL='0', the HSYNC signal is Low active. When HSPL=1, the HSYNC signal is High active.

**DPL:** The polarity of DOTCLK pin. When DPL='0', the data is latched by the chip on the rising edge of DOTCLK signal. When DPL='1', the data is latched by the chip on the falling edge of DOTCLK signal.

**HBP** and **VBP** are used to set vertical and horizontal back porch control in RGB I/F mode 2 (RCM[1:0]='11') (RGB I/F mode 1 is using DE signal as data enable signal)

**HBP[9:0]:** Set the delay period from falling edge of HSYNC signal to first valid data in RGB I/F mode 2

HBP[9:0]	No. of Clock Cycle of DOTCLK
00d	Setting Inhibited
01d	Setting Inhibited
02d	2
03d	3
04d	4
:	:
1021d	1021
1022d	1022
1023d	Setting Inhibited

**VBP[5:0]:** Set the delay period from falling edge of VSYNC signal to first valid line in RGB I/F mode 2

VBP[5:0]	No. of Clock Cycle of HSYNC
00d	Setting Inhibited
01d	Setting Inhibited
02d	2
03d	3
04d	4
:	:
125d	125
126d	126
127d	Setting Inhibited

**6.31 Panel characteristic control register (PAGE0 -36h)**

R/W	DNC	RB7	RB6	RB5	RB4	RB3	RB2	RB1	RB0
W	1	*	*	*	*	SS_PA NEL	GS_PA NEL	REV_P ANEL	BGR_P ANEL
R	1	*	*	*	*	SS_PA NEL	GS_PA NEL	REV_P ANEL	BGR_P ANEL

**Figure 6.52: Panel characteristic control register (PAGE0 -36h)**

This command is internal use for display panel setting.

**REV\_PANEL:** The source output data polarity selected.

'0': normally white panel.

'1': normally black panel.

**BGR\_PANEL:** The color filter order direction selected.

'0': S1:S2:S3='R':'G':'B'

'1': S1:S2:S3='B':'G':'R'

**GS\_PANEL:** The gate driver output shift direction selected.

'0': G1→G320

'1': G320→G1

**SS\_PANEL:** The source driver output shift direction selected.

'0': S720→S1

'1': S1→S720

Himax Confidential  
Do Not Copy



**6.32 OTP register (PAGE0 -38h ~ R3Ah)**

R/W	DNC	D7	D6	D5	D4	D3	D2	D1	D0
W	1	OTP_PT M1	OTP_PT M0	OTP_VR ADJ1	OTP_VR ADJ0	OTP_PO R	OTP_OT PEN	OTP_PP ROG	OTP_PW E
R	1	OTP_PT M1	OTP_PT M0	OTP_VR ADJ1	OTP_VR ADJ0	OTP_PO R	OTP_OT PEN	OTP_PP ROG	OTP_PW E

Figure 6.53: OTP command 1 (PAGE0 -38h)

R/W	RS	D7	D6	D5	D4	D3	D2	D1	D0
W	1	*	*	*	*	*	OTP_YA2	OTP_YA1	OTP_YA0
R	1	*	*	*	*	*	OTP_YA2	OTP_YA1	OTP_YA0

Figure 6.54: OTP command 2 (PAGE0 -39h)

R/W	RS	D7	D6	D5	D4	D3	D2	D1	D0
W	1	*	*	*	OTP_XA4	OTP_XA3	OTP_XA2	OTP_XA1	OTP_XA0
R	1	*	*	*	OTP_XA4	OTP_XA3	OTP_XA2	OTP_XA1	OTP_XA1

Figure 6.55: OTP command 3 (PAGE0 -3Ah)

R/W	RS	D7	D6	D5	D4	D3	D2	D1	D0
R	1	OTP_DAT A7	OTP_DAT A6	OTP_DAT A5	OTP_DAT A4	OTP_DAT A3	OTP_DAT A2	OTP_DAT A1	OTP_DAT A0

Figure 6.56: OTP command 3 (PAGE0 -3Bh)

This command is used to set the OTP related setting. Please see OTP flow for detailed use.

**OTP\_POR:** for OTP read/write timing control

**OTP\_OTPEN:** 1'b1 to select 6.5V for OTP write operation.

**OTP\_PPROG:** 1'b1 to turn on OTP write mode.

**OTP\_PWE:** 1'b1 to write OTP.

**OTP\_XA[4:0]; OTP\_YA[2:0]:** Select OTP writes address

**OTPDATA[7:0];** Read OTP data. When user want read OTP data, must set OTP index first and then set OTP\_POR=1. After this user can get OTP data from OTPDATA[7:0]

**OTP\_TM[1:0]:** OTP Test mode register, In-house use.

**OTP\_VRADJ[1:0]:** OTP VPP2 adjusts register, In-house use.

**6.33 CABC control 1~4 register (PAGE0 -3Ch~3Fh)**

R/W	DNC	RB7	RB6	RB5	RB4	RB3	RB2	RB1	RB0
W	1	DBV 7	DBV 6	DBV 5	DBV 4	DBV 3	DBV 2	DBV 1	DBV 0
R	1	DBV 7	DBV 6	DBV 5	DBV 4	DBV 3	DBV 2	DBV 1	DBV 0

Figure 6.57: CABC control 1 register (PAGE0 -3Ch)

R/W	DNC	RB7	RB6	RB5	RB4	RB3	RB2	RB1	RB0
W	1	*	*	BCT RL	*	DD	BL	*	*
R	1	0	0	BCT RL	0	DD	BL	0	0

Figure 6.58: CABC control 2 register (PAGE0 -3Dh)

R/W	DNC	RB7	RB6	RB5	RB4	RB3	RB2	RB1	RB0
W	1	*	*	*	*	*	*	C1	C0
R	1	0	0	0	0	0	0	C1	C0

Figure 6.59: CABC control 3 register (PAGE0 -3Eh)

R/W	DNC	RB7	RB6	RB5	RB4	RB3	RB2	RB1	RB0
W	1	CMB 7	CMB 6	CMB 5	CMB 4	CMB 3	CMB 2	CMB 1	CMB 0
R	1	CMB 7	CMB 6	CMB 5	CMB 4	CMB 3	CMB 2	CMB 1	CMB 0

Figure 6.60: CABC control 4 register (PAGE0 -3Fh)

These commands are used to set CABC parameter

**DBV[7:0]:** The backlight PWM pulse output duty is equal to  $DBV[7:0]/255 \times CABC\_duty$ .

**BCTRL:** Backlight Control Block On/Off, This bit is always used to switch brightness for display.

'0' = Off (Equal to  $DBV[7:0] = '00h'$ )

'1' = On (Brightness registers are active.)

**DD:** Display Dimming (Only for manual brightness setting)

'0': Display Dimming is off.

'1': Display Dimming is on.

**BL:** Backlight Control On/Off

'0' = Off (Completely turn off backlight circuit. Control lines must be low. )

'1' = On

Dimming function is adapted to the brightness registers for display when bit BCTRL is changed at DD=1, e.g. BCTRL: 0 -> 1 or 1-> 0.

When BL bit change from "On" to "Off", backlight is turned off without gradual dimming, even if dimming-on (DD=1) are selected.

**C[1:0]:** This command is used to set parameters for image content based adaptive brightness control functionality.

There is possible to use 4 different modes for content adaptive image functionality, which are defined on a table below.

C1	C0	Function	Note
0	0	Off	-
0	1	User Interface Image	-
1	0	Still Picture	-
1	1	Moving Image	-

**CMB[7:0]:** This command is used to set the minimum brightness value of the display for CABC function.

In principle relationship is that 00h value means the lowest brightness for CABC and FFh value means the highest brightness for CABC.

**6.34 Gamma control 1~35 register (PAGE0 -40h~5Dh)**

R/W	DNC	RB7	RB6	RB5	RB4	RB3	RB2	RB1	RB0
W	1	*	*	VRP 05	VRP 04	VRP 03	VRP 02	VRP 01	VRP 00
R	1	0	0	VRP 05	VRP 04	VRP 03	VRP 02	VRP 01	VRP 00

Figure 6.61: Gamma control 1 register (PAGE0 -40h)

R/W	DNC	RB7	RB6	RB5	RB4	RB3	RB2	RB1	RB0
W	1	*	*	VRP 15	VRP 14	VRP 13	VRP 12	VRP 11	VRP 10
R	1	0	0	VRP 15	VRP 14	VRP 13	VRP 12	VRP 11	VRP 10

Figure 6.62: Gamma control 2 register (PAGE0 -41h)

R/W	DNC	RB7	RB6	RB5	RB4	RB3	RB2	RB1	RB0
W	1	*	*	VRP 25	VRP 24	VRP 23	VRP 22	VRP 21	VRP 20
R	1	0	0	VRP 25	VRP 24	VRP 23	VRP 22	VRP 21	VRP 20

Figure 6.63: Gamma control 3 register (PAGE0 -42h)

R/W	DNC	RB7	RB6	RB5	RB4	RB3	RB2	RB1	RB0
W	1	*	*	VRP 35	VRP 34	VRP 33	VRP 32	VRP 31	VRP 30
R	1	0	0	VRP 35	VRP 34	VRP 33	VRP 32	VRP 31	VRP 30

Figure 6.64: Gamma control 4 register (PAGE0 -43h)

R/W	DNC	RB7	RB6	RB5	RB4	RB3	RB2	RB1	RB0
W	1	*	*	VRP 45	VRP 44	VRP 43	VRP 42	VRP 41	VRP 40
R	1	0	0	VRP 45	VRP 44	VRP 43	VRP 42	VRP 41	VRP 40

Figure 6.65: Gamma control 5 register (PAGE0 -44h)

R/W	DNC	RB7	RB6	RB5	RB4	RB3	RB2	RB1	RB0
W	1	*	*	VRP 55	VRP 54	VRP 53	VRP 52	VRP 51	VRP 50
R	1	0	0	VRP 55	VRP 54	VRP 53	VRP 52	VRP 51	VRP 50

Figure 6.66: Gamma control 6 register (PAGE0 -45h)

R/W	DNC	RB7	RB6	RB5	RB4	RB3	RB2	RB1	RB0
W	1	*	PRP 06	PRP 05	PRP 04	PRP 03	PRP 02	PRP 01	PRP 00
R	1	0	PRP 06	PRP 05	PRP 04	PRP 03	PRP 02	PRP 01	PRP 00

Figure 6.67: Gamma control 7 register (PAGE0 -46h)

R/W	DNC	RB7	RB6	RB5	RB4	RB3	RB2	RB1	RB0
W	1	*	PRP 16	PRP 15	PRP 14	PRP 13	PRP 12	PRP 11	PRP 10
R	1	0	PRP 16	PRP 15	PRP 14	PRP 13	PRP 12	PRP 11	PRP 10

Figure 6.68: Gamma control 8 register (PAGE0 -47h)

R/W	DNC	RB7	RB6	RB5	RB4	RB3	RB2	RB1	RB0
W	1	*	*	*	PKP 04	PKP 03	PKP 02	PKP 01	PKP 00
R	1	0	0	0	PKP 04	PKP 03	PKP 02	PKP 01	PKP 00

Figure 6.69: Gamma control 9 register (PAGE0 -48h)

R/W	DNC	RB7	RB6	RB5	RB4	RB3	RB2	RB1	RB0
W	1	*	*	*	PKP 14	PKP 13	PKP 12	PKP 11	PKP 10
R	1	0	0	0	PKP 14	PKP 13	PKP 12	PKP 11	PKP 10

Figure 6.70: Gamma control 10 register (PAGE0 -49h)

R/W	DNC	RB7	RB6	RB5	RB4	RB3	RB2	RB1	RB0
W	1	*	*	*	PKP 24	PKP 23	PKP 22	PKP 21	PKP 20
R	1	0	0	0	PKP 24	PKP 23	PKP 22	PKP 21	PKP 20

Figure 6.71: Gamma control 11 register (PAGE0 -4Ah)

R/W	DNC	RB7	RB6	RB5	RB4	RB3	RB2	RB1	RB0
W	1	*	*	*	PKP 34	PKP 33	PKP 32	PKP 31	PKP 30
R	1	0	0	0	PKP 34	PKP 33	PKP 32	PKP 31	PKP 30

Figure 6.72: Gamma control 12 register (PAGE0 -4Bh)

R/W	DNC	RB7	RB6	RB5	RB4	RB3	RB2	RB1	RB0
W	1	*	*	*	PKP 44	PKP 43	PKP 42	PKP 41	PKP 40
R	1	0	0	0	PKP 44	PKP 43	PKP 42	PKP 41	PKP 40

Figure 6.73: Gamma control 13 register (PAGE0 -4Ch)

R/W	DNC	RB7	RB6	RB5	RB4	RB3	RB2	RB1	RB0
W	1	*	*	VRN 05	VRN 04	VRN 03	VRN 02	VRN 01	VRN 00
R	1	0	0	VRN 05	VRN 04	VRN 03	VRN 02	VRN 01	VRN 00

Figure 6.74: Gamma control 14 register (PAGE0 -50h)

R/W	DNC	RB7	RB6	RB5	RB4	RB3	RB2	RB1	RB0
W	1	*	*	VRN 15	VRN 14	VRN 13	VRN 12	VRN 11	VRN 10
R	1	0	0	VRN 15	VRN 14	VRN 13	VRN 12	VRN 11	VRN 10

Figure 6.75: Gamma control 15 register (PAGE0 -51h)

R/W	DNC	RB7	RB6	RB5	RB4	RB3	RB2	RB1	RB0
W	1	*	*	VRN 25	VRN 24	VRN 23	VRN 22	VRN 21	VRN 20
R	1	0	0	VRN 25	VRN 24	VRN 23	VRN 22	VRN 21	VRN 20

Figure 6.76: Gamma control 16 register (PAGE0 -52h)

R/W	DNC	RB7	RB6	RB5	RB4	RB3	RB2	RB1	RB0
W	1	*	*	VRN 35	VRN 34	VRN 33	VRN 32	VRN 31	VRN 30
R	1	0	0	VRN 35	VRN 34	VRN 33	VRN 32	VRN 31	VRN 30

Figure 6.77: Gamma control 17 register (PAGE0 -53h)

R/W	DNC	RB7	RB6	RB5	RB4	RB3	RB2	RB1	RB0
W	1	*	*	VRN 45	VRN 44	VRN 43	VRN 42	VRN 41	VRN 40
R	1	0	0	VRN 45	VRN 44	VRN 43	VRN 42	VRN 41	VRN 40

Figure 6.78: Gamma control 18 register (PAGE0 -54h)

R/W	DNC	RB7	RB6	RB5	RB4	RB3	RB2	RB1	RB0
W	1	*	*	VRN 55	VRN 54	VRN 53	VRN 52	VRN 51	VRN 50
R	1	0	0	VRN 55	VRN 54	VRN 53	VRN 52	VRN 51	VRN 50

Figure 6.79: Gamma control 19 register (PAGE0 -55h)

R/W	DNC	RB7	RB6	RB5	RB4	RB3	RB2	RB1	RB0
W	1	*	PRN 06	PRN 05	PRN 04	PRN 03	PRN 02	PRN 01	PRN 00
R	1	0	PRN 06	PRN 05	PRN 04	PRN 03	PRN 02	PRN 01	PRN 00

Figure 6.80: Gamma control 20 register (PAGE0 -56h)

R/W	DNC	RB7	RB6	RB5	RB4	RB3	RB2	RB1	RB0
W	1	*	PRN 16	PRN 15	PRN 14	PRN 13	PRN 12	PRN 11	PRN 10
R	1	0	PRN 16	PRN 15	PRN 14	PRN 13	PRN 12	PRN 11	PRN 10

Figure 6.81: Gamma control 21 register (PAGE0 -57h)

R/W	DNC	RB7	RB6	RB5	RB4	RB3	RB2	RB1	RB0
W	1	*	*	*	PKN 04	PKN 03	PKN 02	PKN 01	PKN 00
R	1	0	0	0	PKN 04	PKN 03	PKN 02	PKN 01	PKN 00

Figure 6.82: Gamma control 22 register (PAGE0 -58h)

R/W	DNC	RB7	RB6	RB5	RB4	RB3	RB2	RB1	RB0
W	1	*	*	*	PKN 14	PKN 13	PKN 12	PKN 11	PKN 10
R	1	0	0	0	PKN 14	PKN 13	PKN 12	PKN 11	PKN 10

Figure 6.83: Gamma control 23 register (PAGE0 -59h)

R/W	DNC	RB7	RB6	RB5	RB4	RB3	RB2	RB1	RB0
W	1	*	*	*	PKN 24	PKN 23	PKN 22	PKN 21	PKN 20
R	1	0	0	0	PKN 24	PKN 23	PKN 22	PKN 21	PKN 20

Figure 6.84: Gamma control 24 register (PAGE0 -5Ah)

R/W	DNC	RB7	RB6	RB5	RB4	RB3	RB2	RB1	RB0
W	1	*	*	*	PKN 34	PKN 33	PKN 32	PKN 31	PKN 30
R	1	0	0	0	PKN 34	PKN 33	PKN 32	PKN 31	PKN 30

Figure 6.85: Gamma control 25 register (PAGE0 -5Bh)

R/W	DNC	RB7	RB6	RB5	RB4	RB3	RB2	RB1	RB0
W	1	*	*	*	PKN 44	PKN 43	PKN 42	PKN 41	PKN 40
R	1	0	0	0	PKN 44	PKN 43	PKN 42	PKN 41	PKN 40

Figure 6.86: Gamma control 26 register (PAGE0 -5Ch)

R/W	DNC	RB7	RB6	RB5	RB4	RB3	RB2	RB1	RB0
W	1	CGM N11	CGM N10	CGM N01	CGM N00	CGM P11	CGM P10	CGM P01	CGM P00
R	1	CGM N11	CGM N10	CGM N01	CGM N00	CGM P11	CGM P10	CGM P01	CGM P00

Figure 6.87: Gamma control 27 register (PAGE0 -5Dh)

- VRP5-0[5:0]:** Gamma Offset adjustment registers for positive polarity output
- VRN5-0[5:0]:** Gamma Offset adjustment registers for negative polarity output
- PRP1-0[6:0]:** Gamma Center adjustment registers for positive polarity output
- PRN1-0[6:0]:** Gamma Center adjustment registers for negative polarity output
- PKP8-0[4:0]:** Gamma Macro adjustment registers for positive polarity output
- PKN8-0[4:0]:** Gamma Macro adjustment registers for negative polarity output

For details, please refer to 5.10 Gamma resister stream and 8 to 1 Selector.



**6.35 TE control register (PAGE0 -60h, 84h~85h)**

R/W	DNC	RB7	RB6	RB5	RB4	RB3	RB2	RB1	RB0
W	1	*	*	*	TEM ODE	TEON	*	*	*
R	1	0	0	0	TEM ODE	TEON	0	0	0

Figure 6.88: TE control register (PAGE0 -60h)

R/W	DNC	RB7	RB6	RB5	RB4	RB3	RB2	RB1	RB0
W	1	TSE L15	TSE L14	TSE L13	TSE L12	TSE L11	TSE L10	TSE L9	TSE L8
R	1	TSE L15	TSE L14	TSE L13	TSE L12	TSE L11	TSE L10	TSE L9	TSE L8

Figure 6.89: TE output line2 register (PAGE0 -84h)

R/W	DNC	RB7	RB6	RB5	RB4	RB3	RB2	RB1	RB0
W	1	TSE L7	TSE L6	TSE L5	TSE L4	TSE L3	TSE L2	TSE L1	TSE L0
R	1	TSE L7	TSE L6	TSE L5	TSE L4	TSE L3	TSE L2	TSE L1	TSE L0

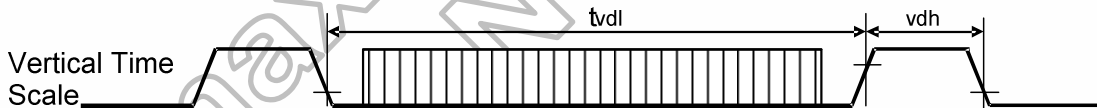
Figure 6.90: TE output line1 register (PAGE0 -85h)

**TEMODE:** Specify the Tearing-Effect mode.

When **TEMODE** = '0': The Tearing Effect Output line (TE) consists of V-Blanking information only.



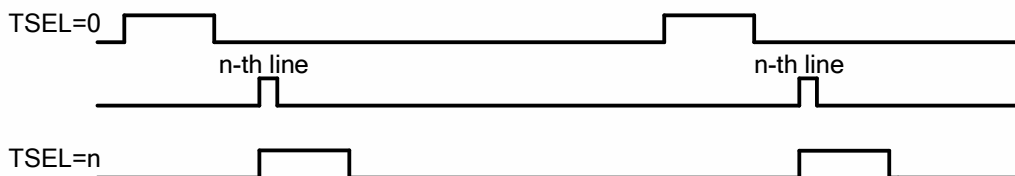
When **TEMODE** = '1': The Tearing Effect Output Line (TE) consists of both V-Blanking and H-Blanking information



**Note:** During Stand by Mode with Tearing Effect Line On, Tearing Effect Output pin active low

**TEON:** This command is used to turn ON the Tearing Effect output signal from the TE signal line.

**TSEL[15:0]:** This command is used to setting TE delay line at TEMODE="0". When TSEL[15:0]=16'h0000, TE output is the same as TEMODE="0". When Decimal(TSEL[15:0])=n, TE output at n-th line starting.



**6.36 ID register (PAGE0 -R61h~R63h)**

R/W	DNC	RB7	RB6	RB5	RB4	RB3	RB2	RB1	RB0
W	1	ID17	ID16	ID15	ID14	ID13	ID12	ID11	ID10
R	1	ID17	ID16	ID15	ID14	ID13	ID12	ID11	ID10

**Figure 6.91: ID1 register (PAGE0 -61h)**

R/W	DNC	RB7	RB6	RB5	RB4	RB3	RB2	RB1	RB0
W	1	ID27	ID26	ID25	ID24	ID23	ID22	ID21	ID20
R	1	ID27	ID26	ID25	ID24	ID23	ID22	ID21	ID20

**Figure 6.92: ID2 register (PAGE0 -62h)**

R/W	DNC	RB7	RB6	RB5	RB4	RB3	RB2	RB1	RB0
W	1	ID37	ID36	ID35	ID34	ID33	ID32	ID31	ID30
R	1	ID37	ID36	ID35	ID34	ID33	ID32	ID31	ID30

**Figure 6.93: ID3 register (PAGE0 -63h)**

**ID1~ID3:** ID setting related register.

Himax Confidential Do Not Copy

**6.37 Power saving internal control register (PAGE0 -RE4h~RE7h)**

<b>R/W</b>	<b>DNC</b>	D7	D6	D5	D4	D3	D2	D1	D0
<b>W</b>	<b>1</b>	EQ_S17	EQ_S16	EQ_S15	EQ_S14	EQ_S13	EQ_S12	EQ_S11	EQ_S10
<b>R</b>	<b>1</b>	EQ_S17	EQ_S16	EQ_S15	EQ_S14	EQ_S13	EQ_S12	EQ_S11	EQ_S10

**Figure 6.94: Power saving internal control register (R68h)**

<b>R/W</b>	<b>DNC</b>	D7	D6	D5	D4	D3	D2	D1	D0
<b>W</b>	<b>1</b>	EQ_S27	EQ_S26	EQ_S25	EQ_S24	EQ_S23	EQ_S22	EQ_S21	EQ_S20
<b>R</b>	<b>1</b>	EQ_S27	EQ_S26	EQ_S25	EQ_S24	EQ_S23	EQ_S22	EQ_S21	EQ_S20

**Figure 6.95: Power saving Internal control register (R69h)**

<b>R/W</b>	<b>DNC</b>	D7	D6	D5	D4	D3	D2	D1	D0
<b>W</b>	<b>1</b>	EQ_S37	EQ_S36	EQ_S35	EQ_S34	EQ_S33	EQ_S32	EQ_S31	EQ_S30
<b>R</b>	<b>1</b>	EQ_S37	EQ_S36	EQ_S35	EQ_S34	EQ_S33	EQ_S32	EQ_S31	EQ_S30

**Figure 6.96: Power saving Internal control register (R70h)**

<b>R/W</b>	<b>DNC</b>	D7	D6	D5	D4	D3	D2	D1	D0
<b>W</b>	<b>1</b>	EQ_S47	EQ_S46	EQ_S45	EQ_S44	EQ_S43	EQ_S42	EQ_S41	EQ_S40
<b>R</b>	<b>1</b>	EQ_S47	EQ_S46	EQ_S45	EQ_S44	EQ_S43	EQ_S42	EQ_S41	EQ_S40

**Figure 6.97: Power saving Internal control register (R71h)**

These commands are internal used.

**EQ\_S1[7:0]:** Power Saving control internal used.

**EQ\_S2[7:0]:** Power Saving control internal used.

**EQ\_S3[7:0]:** Power Saving control internal used.

**EQ\_S4[7:0]:** Power Saving control internal used.

**6.38 Source OP control (PAGE0 -RE8h~E9h)**

RW	DNC	RB7	RB6	RB5	RB4	RB3	RB2	RB1	RB0
<b>W</b>	<b>1</b>	OPON_N(7)	OPON_N(6)	OPON_N(5)	OPON_N(4)	OPON_N(3)	OPON_N(2)	OPON_N(1)	OPON_N(0)
<b>R</b>	<b>1</b>	OPON_N(7)	OPON_N(6)	OPON_N(5)	OPON_N(4)	OPON_N(3)	OPON_N(2)	OPON_N(1)	OPON_N(0)

**Figure 6.98: Source OP control register (PAGE0 -RE8h)**

RW	DNC	RB7	RB6	RB5	RB4	RB3	RB2	RB1	RB0
<b>W</b>	<b>1</b>	OPON_N(7)	OPON_N(6)	OPON_N(5)	OPON_N(4)	OPON_N(3)	OPON_N(2)	OPON_N(1)	OPON_N(0)
<b>R</b>	<b>1</b>	OPON_N(7)	OPON_N(6)	OPON_N(5)	OPON_N(4)	OPON_N(3)	OPON_N(2)	OPON_N(1)	OPON_N(0)

**Figure 6.99: Source OP control register (PAGE0 -RE9h)**

This command is used to set the Source OP output period. It will increase the driving ability of the source driver. For example, if the user has crosstalk issue, user can adjust this command for more driving ability, the ability is more when the setting is bigger.

**OPON\_N[7:0]:** Specify the Normal mode valid source OP output period in 1-line driving period.

**OPON\_I[7:0]:** Specify the IDLE mode valid source OP output period in 1-line driving period.

Himax Confidential  
Do Not Copy

**6.39 Power control internal used (PAGE0 -REAh~ECh)**

<b>R/W</b>	<b>DNC</b>	D7	D6	D5	D4	D3	D2	D1	D0
<b>W</b>	<b>1</b>	PTB A15	PTB A14	PTB A13	PTB A12	PTB A11	PTB A10	PTA B9	PTB A8
<b>R</b>	<b>1</b>	PTB A15	PTB A14	PTB A13	PTB A12	PTB A11	PTB A10	PTA B9	PTB A8

Figure 6.100: Power control internal used (1) register (PAGE0 -REAh)

<b>R/W</b>	<b>DNC</b>	D7	D6	D5	D4	D3	D2	D1	D0
<b>W</b>	<b>1</b>	PTB A7	PTB A6	PTB A5	PTB A4	PTB A3	PTB A2	PTB A1	PTB A0
<b>R</b>	<b>1</b>	PTB A7	PTB A6	PTB A5	PTB A4	PTB A3	PTB A2	PTB A1	PTB A0

Figure 6.101: Power control internal used (2) register (PAGE0 -REBh)

<b>R/W</b>	<b>DNC</b>	D7	D6	D5	D4	D3	D2	D1	D0
<b>W</b>	<b>1</b>	STB A15	STB A14	STB A13	STB A12	STB A11	STB A10	STA B9	STB A8
<b>R</b>	<b>1</b>	STB A15	STB A14	STB A13	STB A12	STB A11	STB A10	STA B9	STB A8

Figure 6.102: Source control internal used (1) register (PAGE0 -RECh)

<b>R/W</b>	<b>DNC</b>	D7	D6	D5	D4	D3	D2	D1	D0
<b>W</b>	<b>1</b>	STB A7	STB A6	STB A5	STB A4	STB A3	STB A2	STB A1	STB A0
<b>R</b>	<b>1</b>	STB A7	STB A6	STB A5	STB A4	STB A3	STB A2	STB A1	STB A0

Figure 6.103: Source control internal used (2) register (PAGE0 -REDh)

These commands are internal used.

**PTBA[15:0]:** Power control internal used.

**STBA[15:0]:** Source Power control internal used.

**6.40 Command page select register (RFFh)**

<b>R/W</b>	<b>DNC</b>	RB7	RB6	RB5	RB4	RB3	RB2	RB1	RB0
<b>W</b>	<b>1</b>	*	*	*	*	*	*	PAGE_SEL 1	PAGE_SEL 0
<b>R</b>	<b>1</b>	0	0	0	0	0	0	PAGE_SEL 1	PAGE_SEL 0

Figure 6.104: Command page select register (RFFh)

**PAGE\_SEL[1:0]:** Command set page select.

PAGE_SEL1	PAGE_SEL0	Command Page
0	0	Page 0
0	1	Page 1

**6.41 DGC Control register (PAGE1 -00h)**

<b>R/W</b>	<b>DNC</b>	RB7	RB6	RB5	RB4	RB3	RB2	RB1	RB0
<b>W</b>	<b>1</b>	*	*	*	*	*	*	*	DGC_EN
<b>R</b>	<b>1</b>	0	0	0	0	0	0	0	DGC_EN

Figure 6.105: DGC control register (PAGE1 -00h)

**DGC\_EN:** Digital gamma correction enable.  
 0: Disable  
 1: Enable

**6.42 DGC LUT register (PAGE1 -01h~63h)**

<b>R/W</b>	<b>DNC</b>	RB7	RB6	RB5	RB4	RB3	RB2	RB1	RB0
<b>W</b>	<b>1</b>	D7	D6	D5	D4	D3	D2	D1	D0
<b>R</b>	<b>1</b>	D7	D6	D5	D4	D3	D2	D1	D0

Figure 6.106: DGC LUT register (PAGE1 -01h~63h)

There are 99 bytes DGC LUT to set R, G, B gamma independently. When DGC\_EN=1, R, G, B gamma will mapping V0, V2, V4, ..., V60, V62, V63 voltage to the LUT register setting gray level voltage.  $V(2N+1) = (V(2N) + V(2N+2))/2$  (N=0~30).

Parameter	Input (6 bit)	D7	D6	D5	D4	D3	D2	D1	D0	Default	Gray Mapping
1st	R00h	R007	R006	R005	R004	R003	R002	R001	R000	00h	R_V0
2nd	R02h	R017	R016	R015	R014	R013	R012	R011	R010	08h	R_V2
3rd	R04h	R027	R026	R025	R024	R023	R022	R021	R020	10h	R_V4
	⋮	⋮	⋮	⋮	⋮	⋮	⋮	⋮	⋮	⋮	⋮
32nd	R62h	R317	R316	R315	R314	R313	R312	R311	R310	F8h	R_V62
33rd	R63h	R327	R326	R325	R324	R323	R322	R321	R320	FCh	R_V63
34th	G00h	G007	G006	G005	G004	G003	G002	G001	G000	00h	G_V0
35th	G02h	G017	G016	G015	G014	G013	G012	G011	G010	08h	G_V2
36th	G04h	G027	G026	G025	G024	G023	G022	G021	G020	10h	G_V4
	⋮	⋮	⋮	⋮	⋮	⋮	⋮	⋮	⋮	⋮	⋮
65th	G62h	G317	G316	G315	G314	G313	G312	G311	G310	F8h	G_V62
66th	G63h	G327	G326	G325	G324	G323	G322	G321	G320	FCh	G_V63
67th	B00h	B007	B006	B005	B004	B003	B002	B001	B000	00h	B_V0
68th	B02h	B017	B016	B015	B014	B013	B012	B011	B010	08h	B_V2
69th	B04h	B027	B026	B025	B024	B023	B022	B021	B020	10h	B_V4
	⋮	⋮	⋮	⋮	⋮	⋮	⋮	⋮	⋮	⋮	⋮
98th	B62h	B317	B316	B315	B314	B313	B312	B311	B310	F8h	B_V62
99th	B63h	B327	B326	B325	B324	B323	B322	B321	B320	FCh	B_V63

**6.43 CABC control 5~7 register (PAGE1 – RC3h, RC5h, RC7h)**

R/W	DNC	RB7	RB6	RB5	RB4	RB3	RB2	RB1	RB0
W	1	BC_C TL	PWM DIV2	PWM DIV1	PWM DIV0	1	1	INPL US	1
R	1	BC_C TL	PWM DIV2	PWM DIV1	PWM DIV0	1	1	INPL US	1

Figure 6.107: CABC control 5 (PAGE1 – RC3h)

R/W	DNC	RB7	RB6	RB5	RB4	RB3	RB2	RB1	RB0
W	1	PWM_ PERIO D7	PWM_ PERIO D6	PWM_ PERIO D5	PWM_ PERIO D4	PWM_ PERIO D3	PWM_ PERIO D2	PWM_ PERIO D1	PWM_ PERIO D0
R	1	PWM_ PERIO D7	PWM_ PERIO D6	PWM_ PERIO D5	PWM_ PERIO D4	PWM_ PERIO D3	PWM_ PERIO D2	PWM_ PERIO D1	PWM_ PERIO D0

Figure 6.108: CABC control 6 (PAGE1 – RC5h)

R/W	DNC	RB7	RB6	RB5	RB4	RB3	RB2	RB1	RB0
W	1	0	DIM_F RAME 6	DIM_F RAME5	DIM_F RAME4	DIM_F RAME3	DIM_F RAME2	DIM_F RAME1	DIM_F RAME0
R	1	0	DIM_F RAME 6	DIM_F RAME5	DIM_F RAME4	DIM_F RAME3	DIM_F RAME2	DIM_F RAME1	DIM_F RAME0

Figure 6.109: CABC control 7 (PAGE1 – RC7h)

**BC\_CTL:** The control register for LED driver when IC needs enable signal.  
 '0': BC\_CTRL pin='L'  
 '1': BC\_CTRL pin='H'

**PWM\_DIV[2:0]:** Internal PWM\_CLK divider for CABC clock.

PWM_DIV[2:0]	Divider
0	PWM_CLK/1
1	PWM_CLK/2
2	PWM_CLK/4
3	PWM_CLK/8
4	PWM_CLK/16
5	PWM_CLK/32
6	PWM_CLK/64
7	PWM_CLK/128

**Note:** PWM\_CLK is OSC frequency in system interface and DOTCLK in RGB interface.

**INVPULS:** The backlight PWM output polarity select.  
 '0', The backlight PWM output is low level active.  
 '1', The backlight PWM output is high level active.

**PWM\_PERIOD[7:0] :** The backlight PWM output period setting.  
 Backlight PWM output period = 1 / (PWM\_CLK / clock divider (PWMDIV)) x  
 (255x(PWM\_PERIOD[7:0]+1))

**DIM\_FRAME[6:0] :** Manual brightness setting dimming period.

**6.44 Gain select register 0~8 (PAGE1 – RCBh~D3h)**

R/W	DNC	RB7	RB6	RB5	RB4	RB3	RB2	RB1	RB0
<b>W</b>	<b>1</b>	*	DBG 06	DBG 05	DBG 04	DBG 03	DBG 02	DBG 01	DBG 00
<b>R</b>	<b>1</b>	0	DBG 06	DBG 05	DBG 04	DBG 03	DBG 02	DBG 01	DBG 00

**Figure 6.110: Gain select register 0 (PAGE1 – RCBh)**

R/W	DNC	RB7	RB6	RB5	RB4	RB3	RB2	RB1	RB0
<b>W</b>	<b>1</b>	*	DBG 16	DBG 15	DBG 14	DBG 13	DBG 12	DBG 11	DBG 10
<b>R</b>	<b>1</b>	0	DBG 16	DBG 15	DBG 14	DBG 13	DBG 12	DBG 11	DBG 10

**Figure 6.111: Gain select register 1 (PAGE1 – RCCh)**

R/W	DNC	RB7	RB6	RB5	RB4	RB3	RB2	RB1	RB0
<b>W</b>	<b>1</b>	*	DBG 26	DBG 25	DBG 24	DBG 23	DBG 22	DBG 21	DBG 20
<b>R</b>	<b>1</b>	0	DBG 26	DBG 25	DBG 24	DBG 23	DBG 22	DBG 21	DBG 20

**Figure 6.112: Gain select register 2 (PAGE1 – RCDh)**

R/W	DNC	RB7	RB6	RB5	RB4	RB3	RB2	RB1	RB0
<b>W</b>	<b>1</b>	*	DBG 36	DBG 35	DBG 34	DBG 33	DBG 32	DBG 31	DBG 30
<b>R</b>	<b>1</b>	0	DBG 36	DBG 35	DBG 34	DBG 33	DBG 32	DBG 31	DBG 30

**Figure 6.113: Gain select register 3 (PAGE1 – RCEh)**

R/W	DNC	RB7	RB6	RB5	RB4	RB3	RB2	RB1	RB0
<b>W</b>	<b>1</b>	*	DBG 46	DBG 45	DBG 44	DBG 43	DBG 42	DBG 41	DBG 40
<b>R</b>	<b>1</b>	0	DBG 46	DBG 45	DBG 44	DBG 43	DBG 42	DBG 41	DBG 40

**Figure 6.114: Gain select register 4 (PAGE1 – RCFh)**

R/W	DNC	RB7	RB6	RB5	RB4	RB3	RB2	RB1	RB0
<b>W</b>	<b>1</b>	*	DBG 56	DBG 55	DBG 54	DBG 53	DBG 52	DBG 51	DBG 50
<b>R</b>	<b>1</b>	0	DBG 56	DBG 55	DBG 54	DBG 53	DBG 52	DBG 51	DBG 50

**Figure 6.115: Gain select register 5 (PAGE1 – RD0h)**



R/W	DNC	RB7	RB6	RB5	RB4	RB3	RB2	RB1	RB0
W	1	*	DBG 66	DBG 65	DBG 64	DBG 63	DBG 62	DBG 61	DBG 60
R	1	0	DBG 66	DBG 65	DBG 64	DBG 63	DBG 62	DBG 61	DBG 60

Figure 6.116: Gain select register 6 (PAGE1 – RD1h)

R/W	DNC	RB7	RB6	RB5	RB4	RB3	RB2	RB1	RB0
W	1	*	DBG 76	DBG 75	DBG 74	DBG 73	DBG 72	DBG 71	DBG 70
R	1	0	DBG 76	DBG 75	DBG 74	DBG 73	DBG 72	DBG 71	DBG 70

Figure 6.117: Gain select register 7 (PAGE1 – RD2h)

R/W	DNC	RB7	RB6	RB5	RB4	RB3	RB2	RB1	RB0
W	1	*	DBG 86	DBG 85	DBG 84	DBG 83	DBG 82	DBG 81	DBG 80
R	1	0	DBG 86	DBG 85	DBG 84	DBG 83	DBG 82	DBG 81	DBG 80

Figure 6.118: Gain select register 8 (PAGE1 – RD3h)

DBG0~8[6:0] : Gain select register 0~8

DBGX	Duty	DBGX	Duty	DBGX	Duty
20	100.00%	30	66.67%	40	49.80%
21	96.86%	31	65.10%		
22	94.12%	32	63.92%		
23	91.37%	33	62.75%		
24	89.02%	34	61.57%		
25	86.27%	35	60.39%		
26	84.31%	36	59.22%		
27	81.96%	37	58.04%		
28	80.00%	38	56.86%		
29	78.04%	39	56.08%		
2A	76.08%	3A	54.90%		
2B	74.51%	3B	54.12%		
2C	72.55%	3C	53.33%		
2D	70.98%	3D	52.16%		
2E	69.41%	3E	51.37%		
2F	67.84%	3F	50.59%		
	UI	ST	MV		
DBG0	24	40	40		
DBG1	24	3C	3C		
DBG2	24	38	38		
DBG3	23	34	34		
DBG4	23	33	33		
DBG5	23	32	32		
DBG6	22	2B	2D		
DBG7	22	24	2B		
DBG8	22	22	28		

## 7. Layout Recommendation

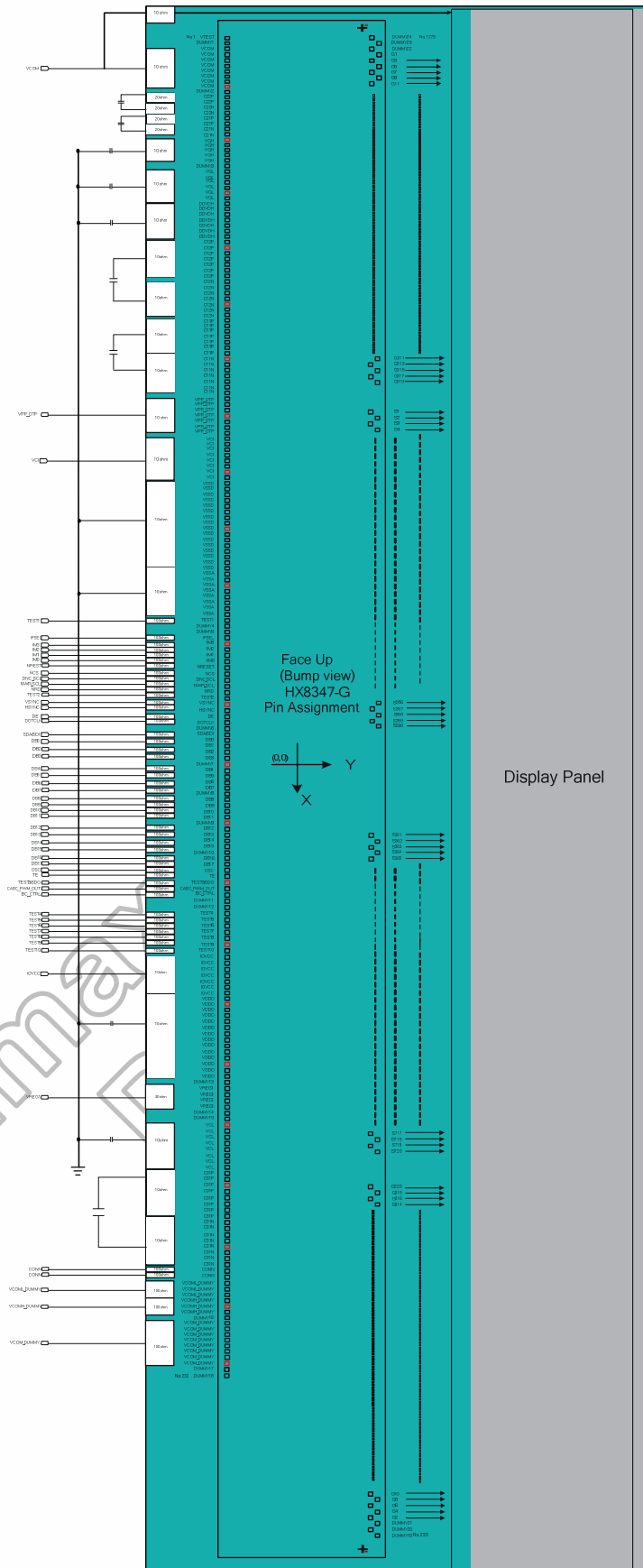


Figure 7.1: Layout recommendation of HX8347-G

## 7.1 Maximum layout resistance

Name	Type	Maximum Series Resistance	Unit
IOVCC	Power supply	10	Ω
VCI	Power supply	10	Ω
VSSA,VSSC	Power supply	10	Ω
VSSD	Power supply	10	Ω
VPP_OTP	Power supply	10	Ω
OSC	Input	100	Ω
IM[3:0], IFSEL	Input	100	Ω
NRD_E, NWR_RNW, DNC_SCL, NCS, SDA	Input	100	Ω
NRESET	Input	100	Ω
TE, CABC_PWM_OUT,BC_CTRL	Output	100	Ω
DB[17:0],	I/O	100	Ω
DOTCLK, DE, VSYNC, HSYNC	Input	100	Ω
VGH	Capacitor connection	10	Ω
VGL	Capacitor connection	10	Ω
VCL	Capacitor connection	10	Ω
DDVDH	Capacitor connection	10	Ω
VDDD	Capacitor connection	10	Ω
VREG1	Capacitor connection	50	Ω
C11P, C11N, C12P, C12N	Capacitor connection	10	Ω
C31P, C12N	Capacitor connection	10	Ω
C21P, C21N	Capacitor connection	15	Ω
C22P, C22N	Capacitor connection	15	Ω
TEST[10:1]	Input	100	Ω
VCOMH_DUMMY, VCOML_DUMMY,DUMMY	Dummy	100	Ω
VTEST,VMONI	Test Pin	100	Ω

**7.2 External components connection**

Capacitor	Recommended voltage	Capacity
C1 (C11P/N)	6V	1 $\mu$ F (B characteristics)
C2 (C12P/N)	6V	1 $\mu$ F (B characteristics)
C3 (DDVDH)	10V	1 $\mu$ F (B characteristics)
C4 (C21P/N)	10V	1 $\mu$ F (B characteristics)
C5 (C22P/N)	10V	1 $\mu$ F (B characteristics)
C6 (VGH)	25V	1 $\mu$ F (B characteristics)
C7 (VGL)	16V	1 $\mu$ F (B characteristics)
C8 (C31P/N)	6V	1 $\mu$ F (B characteristics)
C9 (VCL)	6V	1 $\mu$ F (B characteristics)
C10(VDDD)	6V	1 $\mu$ F (B characteristics)

Himax Confidential  
Do Not Copy

## 8. Electrical Characteristic

### 8.1 Absolute maximum ratings

Item	Symbol	Unit	Spec.			Note
			Min.	Typ.	Max.	
Power Supply Voltage 1	IOVCC~VSSD	V	-0.3	-	+4.6	Note <sup>(1),(2)</sup>
Power Supply Voltage 2	VCI ~ VSSA	V	-0.3	-	+4.6	Note <sup>(3)</sup>
Power Supply Voltage 3	DDVDH ~ VSSA	V	-0.3	-	+6.6	Note <sup>(4)</sup>
Power Supply Voltage 4	VSSA ~ VCL	V	-0.3	-	+4.6	Note <sup>(5)</sup>
Power Supply Voltage 5	DDVDH ~ VCL	V	-0.3	-	+9	Note <sup>(6)</sup>
Power Supply Voltage 6	VGH ~ VSSA	V	-0.3	-	+18.5	Note <sup>(7)</sup>
Power Supply Voltage 7	VSSA ~ VGL	V	-16.5	-	0	Note <sup>(8)</sup>
Logic Input Voltage	V <sub>IN</sub>	V	-0.3	-	IOVCC+0.5	-
Logic Output Voltage	V <sub>o</sub>	V	-0.3	-	IOVCC+0.5	-
Operating Temperature	Topr	°C	-40	-	+85	Note <sup>(9),(10)</sup>
Storage Temperature	Tstg	°C	-55	-	+110	Note <sup>(9),(10)</sup>

**Note:** (1) IOVCC, VSSD must be maintained.

(2) To make sure IOVCC ≥ VSSD.

(3) To make sure VCI ≥ VSSA.

(4) To make sure DDVDH ≥ VSSA.

(5) To make sure VSSA ≥ VCL.

(6) To make sure DDVDH ≥ VCL.

(7) To make sure VGH ≥ VSSA.

(8) To make sure VSSA ≥ VGL

VGH + |VGL| < 32V

(9) For die and wafer products, specified up to +85°C.

(10) This temperature specifications apply to the TCP package.

**Table 8.1: Absolute maximum ratings**

### 8.2 ESD protection level

Mode	Test Condition	Protection Level	Unit
Human Body Model	C=100pF, R=1.5kΩ	±2.0K	V
Machine Model	C=200pF, R=0.0Ω	±200	V

**Table 8.2: ESD protection level**

## 8.3 DC characteristics

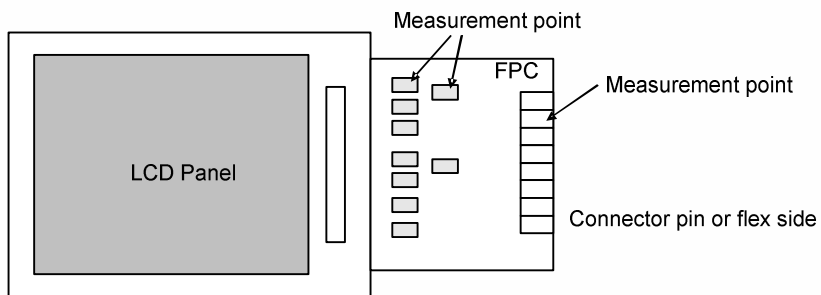
Parameter	Symbol	Conditions	Spec.			Unit
			Min.	Typ.	Max.	
<b>Power &amp; Operating Voltages</b>						
IO Operating voltage	IOVCC	I/O supply voltage	1.65	1.8	3.3	V
Driver Operating voltage	VCI	Operation voltage	2.3	2.8	3.3	
Source Drive Voltage	VREG1	Triple Pump	3.3	4.65	4.8	
	VREG1	Dual Pump	3.3	4.65	5.8	
Gate Drive High Voltage	VGH	IVGH=100μA (Typ:BT=001) VCI=2.8 Dual Pump	9.5	14.25	-	
		IVGH=100uA (Typ:BT=001) VCI=2.8 Triple Pump	11.6	17.39	-	
Gate Drive Low Voltage	VGL	IVGL=100μA (Typ:BT=001) VCI=2.8 Dual Pump	-6.85	-9.5	-	
		IVGL=100μA (Typ:BT=001) VCI=2.8 Triple Pump	-8.46	-11.59	-	
Drive Supply Voltage	VGH-VGL	-	-	-	30	
<b>Input / Output</b>						
High level input voltage	VIH	-	0.7IOVCC	-	IOVCC	V
Low level input voltage	VIL	-	VSSD	-	0.3IOVCC	
High level output voltage	VOH	IOH=-1.0mA	0.8IOVCC	-	IOVCC	
Low level output voltage	VOL	IOL=+1.0mA	VSSD	-	0.2IOVCC	
Input leakage current	IIL	-	-1	-	1	μA
Oscillator frequency	fOSC	Frame rate at 65hz,default Vs and Hs setting TA=25°C	2.61	2.75	2.89	MHz
<b>Booster(VCI=2.8V)</b>						
DDVDH boost voltage1	DDVDH	Dual Pump IDDVDH=1mA	4.8	5.0	5.2	V
		Triple Pump IDDVDH=1mA	5.9	6.1	6.3	
VCL boost voltage	VCL	ICL=-300μA	-2.5	-2.65	2.75	
<b>VCOM Generator(VCI=2.8V)</b>						
VCOM amplitude	VCOM	No load, Dual Pump	2.5	4.4	7.3	V
		No load Triple Pump	2.5	4.4	8.3	V
VCOM high level	VCOMH	No load Dual Pump	2.5	3.205	4.8	V
		No load Triple Pump	2.5	3.205	5.8	V
VCOM low level	VCOML	No load	-2.5	-1.195	VSSD	V
<b>Source Driver(Typ:TA=25°C VCI=2.8v)</b>						
Output voltage deviation (mean value)	DVOS	VSSD+1.0 ~ VREG1-1.0	-	+/-10	+/-20	mV
		VSSD+0.1V ~ VSSD+1.0 VREG1-1.0 ~ VREG1-0.1V	-	+/-30	+/-50	mV
Output voltage range	VOS	-	0.1	-	DDVDH-0.1	V
Output offset voltage	Voff	-	-	+/-30	+/-50	mV

# >> HX8347-G(T)

240RGB x 320 dot, 262K color, TFT Mobile Single Chip Driver



DATA SHEET Preliminary V01



Himax Confidential  
Do Not Copy

## 8.4 Current consumption

Host I/F	Mode of operation	Frame Frequency	Inversion Mode	Image	Memory Data Access Control (MY:MX:MV)	Current Consumption			
						Typical		Worst Case	
						VCI (mA)	IOVCC (mA)	VCI (mA)	IOVCC (mA)
Host interface NOT active	Normal Mode On	60Hz	1-line	Black	X;X;X	3.48	0.21	3.85	0.33
			1-line	1x1 checker board	X;X;X	2.82	0.21	3.06	0.33
			1-line	4x4 checker board	X;X;X	2.76	0.33	3.12	0.42
			1-line	Gray_Scale Top to Bottom	X;X;X	2.57	0.22	3.00	0.33
			1-line	20B80W	X;X;X	3.05	0.21	3.50	0.32
	Idle Mode On	60Hz	1-line	20B80W	X;X;X	2.40	0.17	2.74	0.25
	Partial Mode On (48 lines)	60Hz	1-line	Grey Levels	X;X;X	0.86	0.11	1.35	0.18
	Partial Mode On (48 lines) Idle Mode On	60Hz	1-line	8x8 checker board	X;X;X	0.99	0.09	1.12	0.15
			1-line	Worst pattern	X;X;X	1.01	0.09	1.20	0.15
	Standby Mode	N/A	N/A	N/A	X;X;X	0.00059	0.00452	0.010	0.080
Deep Standby Mode	N/A	N/A	N/A	X;X;X	0.0005	0.001	0.005	0.010	
Host interface active	Normal Mode On	60Hz	1-line	262k Colors Worst pattern CPU Access @ 15fps	0;0;0	3.29	0.98	3.89	1.30
					0;0;1	3.29	0.98	3.89	1.30
					0;1;0	3.29	0.98	3.89	1.30
					0;1;1	3.29	0.98	3.89	1.30
					1;0;0	3.29	0.98	3.89	1.30
					1;0;1	3.29	0.98	3.89	1.30
					1;1;0	3.29	0.98	3.89	1.30
					1;1;1	3.29	0.98	3.89	1.30
				262k Colors Worst pattern CPU Access @ 25fps	0;0;0	3.28	1.54	3.88	1.88
					0;0;1	3.28	1.54	3.88	1.88
					0;1;0	3.28	1.54	3.88	1.88
					0;1;1	3.28	1.54	3.88	1.88
					1;0;0	3.28	1.54	3.88	1.88
					1;0;1	3.28	1.54	3.88	1.88
					1;1;0	3.28	1.54	3.88	1.88
					1;1;1	3.28	1.54	3.88	1.88

Table 8.3: Current consumption

Typical Case:

T<sub>A</sub> = 25°C  
 IOVCC = 1.8V  
 VCI = 2.8V  
 CMO 2.6" panel

Worst Case:

T<sub>A</sub> = -30 to 70°C  
 IOVCC = 1.65V to 1.95V  
 VCI = 2.3V to 3.3V  
 Includes Process Variance.



**8.5 AC characteristics**

**8.5.1 Parallel interface characteristics (8080-series MPU)**

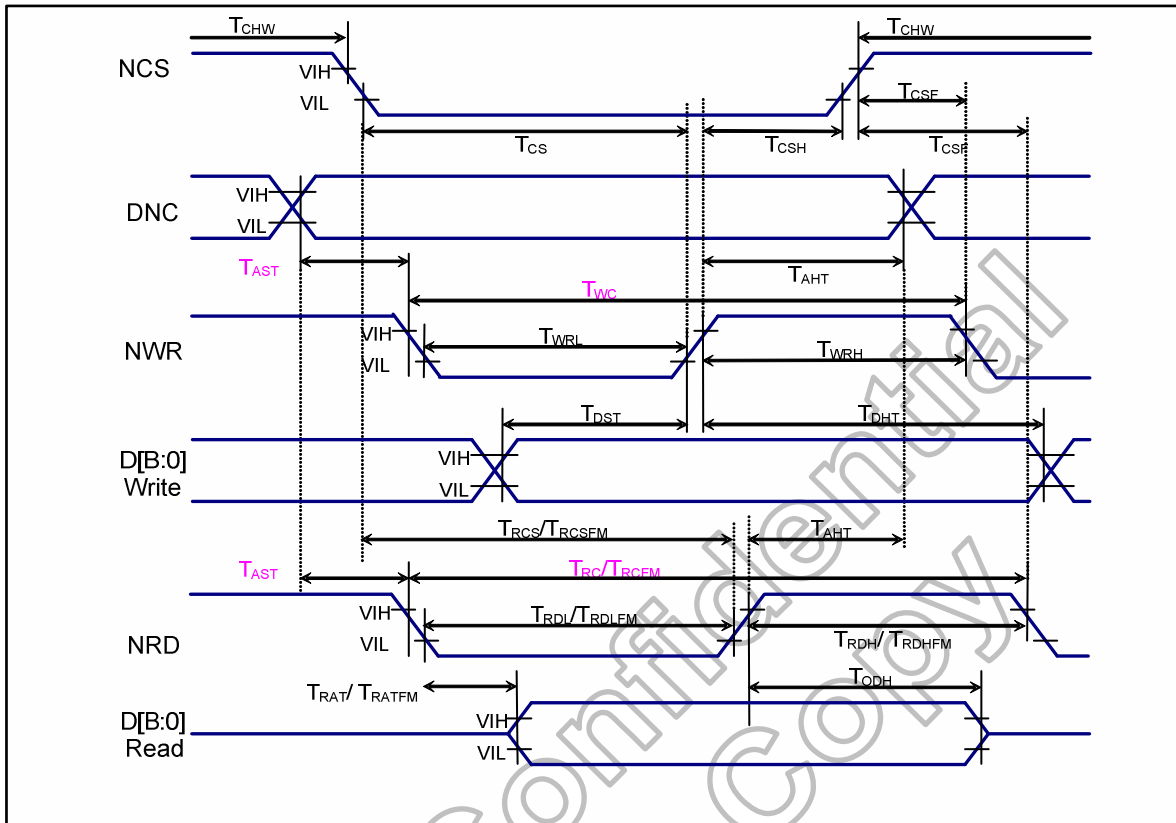


Figure 8.1: Parallel interface characteristics (8080-series MPU)

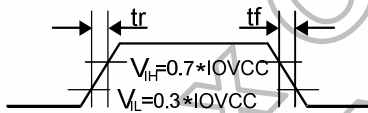
(VSSA=0V, IOVCC=1.65V to 3.3V, VCI=2.3V to 3.3V, T<sub>A</sub> = -30 to 70 ° C)

Signal	Symbol	Parameter	Spec.			Unit	Description
			Min.	Typ	Max.		
DNC_SCL	tAST	Address setup time	10	-	-	ns	-
	tAHT	Address hold time (Write/Read)	10	-	-		
NCS	tCHW	Chip select "H" pulse width	0	-	-	ns	-
	tCS	Chip select setup time (Write)	15	-	-		
	tRCS	Chip select setup time (Read ID)	45	-	-		
	tRCSFM	Chip select setup time (Read FM)	355	-	-		
	tCSF	Chip select wait time (Write/Read)	10	-	-		
	tCSH	Chip select hold time	10	-	-		
NWR_SCL	tWC	Write cycle	66	-	-	ns	-
	tWRH	Control pulse "H" duration	15	-	-		
	tWRL	Control pulse "L" duration	15	-	-		
NRD(ID)	tRC	Read cycle (ID)	160	-	-	ns	When read ID data
	tRDH	Control pulse "H" duration (ID)	90	-	-		
	tRDL	Control pulse "L" duration (ID)	45	-	-		
NRD(FM)	tRCFM	Read cycle (FM)	450	-	-	ns	When read from frame memory
	tRDHFM	Control pulse "H" duration (FM)	90	-	-		
	tRDLFM	Control pulse "L" duration (FM)	355	-	-		
DB17 to DB0	tDST	Data setup time	10	-	-	ns	For maximum CL=30pF For minimum CL=8pF
	tDHT	Data hold time	10	-	-		
	tRAT	Read access time (ID)	-	-	100		
	tRATFM	Read access time (FM)	-	-	340		
	tODH	Output disable time	20	-	80		

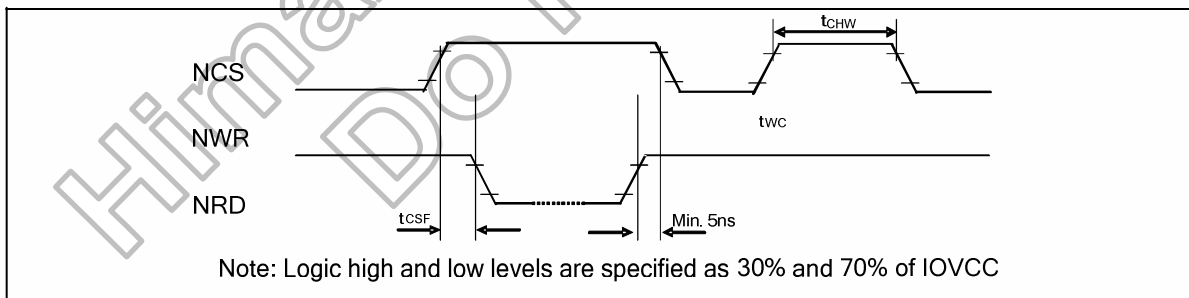
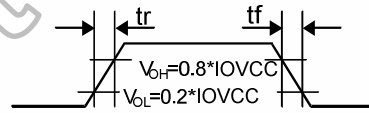
**Note:** The input signal rise time and fall time (tr, tf) is specified at 15 ns or less.

Logic high and low levels are specified as 30% and 70% of IOVCC for Input signals.

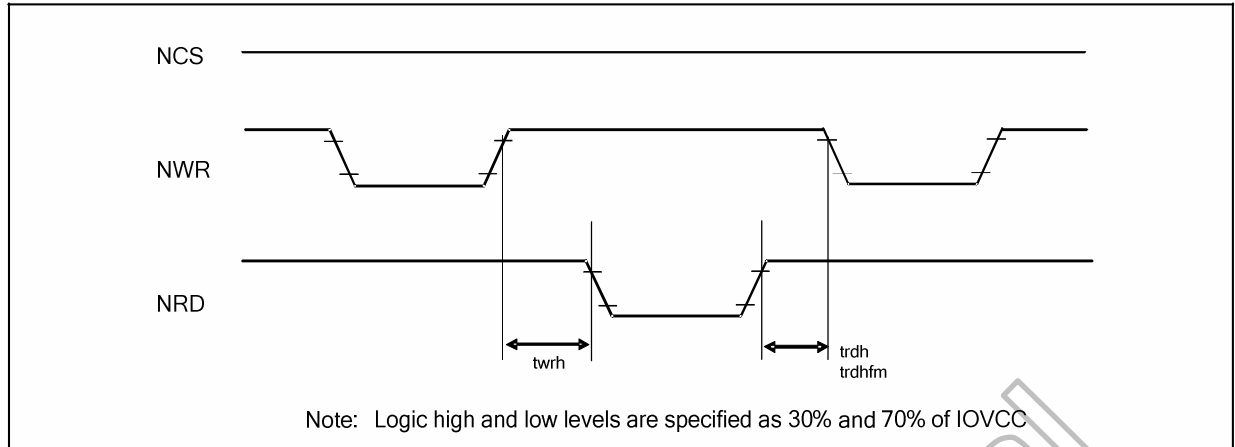
Input Signal Slope



Output Signal Slope



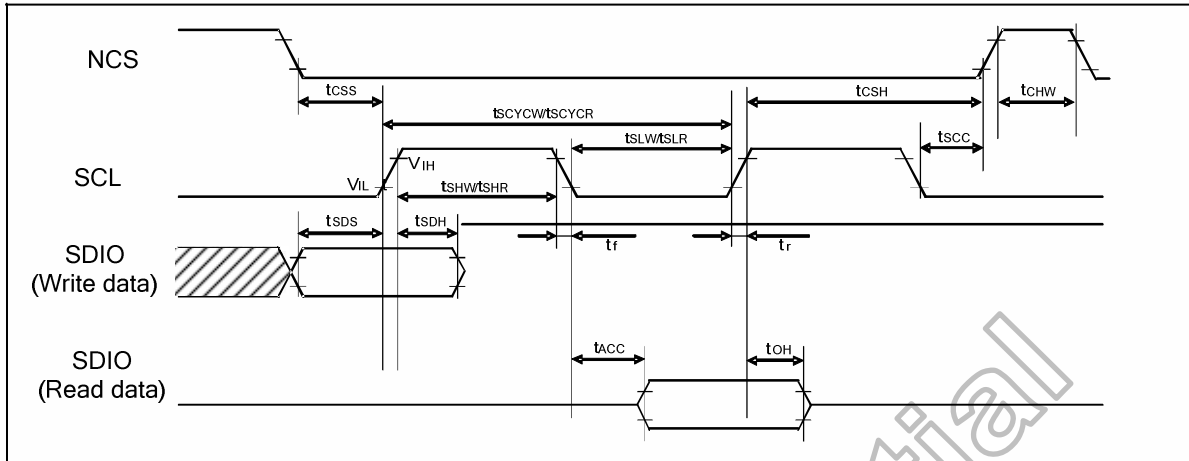
**Figure 8.2: Chip select timing**



**Figure 8.3: Write to read and read to write timing**

Himax Confidential  
Do Not Copy

**8.5.2 Serial interface characteristics**



**Figure 8.4: Serial interface characteristics**

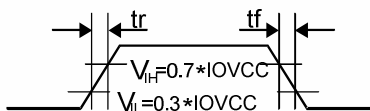
(VSSA=0V, IOVCC=1.65V to 3.3V, VCI=2.3V to 3.3V, TA=-30 to 70° C)

Parameter	Symbol	Conditions	Spec.			Unit
			Min.	Typ.	Max.	
Serial clock cycle (Write)	tSCYCW		20	-	-	
SCL "H" pulse width (Write)	tSHW	SCL	8	-	-	ns
SCL "L" pulse width (Write)	tSLW	SCL	8	-	-	ns
Data setup time (Write)	tSDS	SDIO	10	-	-	ns
Data hold time (Write)	tSDH	SDIO	10	-	-	ns
Serial clock cycle (Read)	tSCYCR		150	-	-	
SCL "H" pulse width (Read)	tSHR	SCL	60	-	-	ns
SCL "L" pulse width (Read)	tSLR	SCL	60	-	-	ns
Access Time	tACC	SDI for maximum CL=30pF For minimum CL=8pF	10	-	50	ns
Output disable time	tOH	SDO For maximum CL=30pF For minimum CL=8pF	15	-	50	ns
SCL to Chip select	tSCC	SCL, NCS	20	-	-	ns
NCS "H" pulse width	tCHW	NCS	40	-	-	ns
Chip select setup time	tCSS	NCS	15	-	-	ns
Chip select hold time	tCSH	NCS	15	-	-	ns

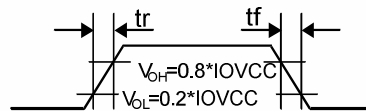
**Note:** The input signal rise time and fall time (tr, tf) is specified at 15 ns or less.

Logic high and low levels are specified as 30% and 70% of IOVCC for Input signals.

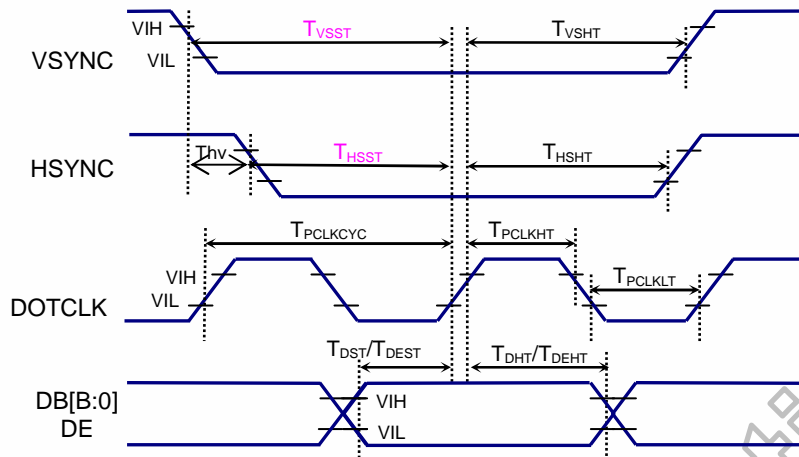
Input Signal Slope



Output Signal Slope



## 8.5.3 RGB interface characteristics

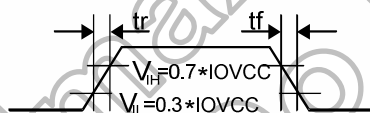


(VSSA=0V, IOVCC=1.65V to 3.3V, VCI=2.3V to 3.3V, Ta = -30 to 70° C)

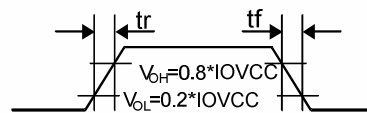
Item	Symbol	Condition	Spec.			Unit
			Min.	Typ.	Max.	
Pixel low pulse width	T <sub>CLKLT</sub>	-	15	-	-	ns
Pixel high pulse width	T <sub>CLKHT</sub>	-	15	-	-	ns
Vertical Sync. set-up time	T <sub>VSST</sub>	-	15	-	-	ns
Vertical Sync. hold time	T <sub>VSHT</sub>	-	15	-	-	ns
Horizontal Sync. set-up time	T <sub>HSST</sub>	-	15	-	-	ns
Horizontal Sync. hold time	T <sub>HSHT</sub>	-	15	-	-	ns
Data Enable set-up time	T <sub>DEST</sub>	-	15	-	-	ns
Data Enable hold time	T <sub>DEHT</sub>	-	15	-	-	ns
Data set-up time	T <sub>DST</sub>	-	15	-	-	ns
Data hold time	T <sub>DHT</sub>	-	15	-	-	ns
Phase difference of sync signal falling edge	Thv	-	0	-	240	Dotclk

**Note:** The input signal rise time and fall time (tr, tf) is specified at 15 ns or less.

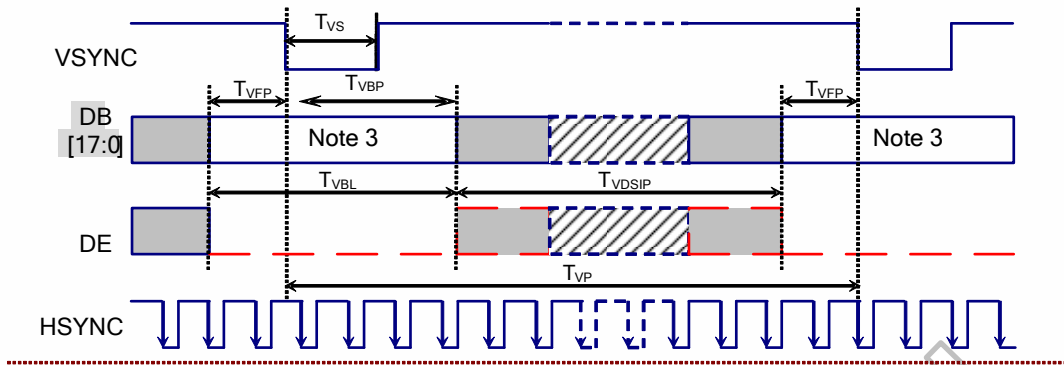
Input Signal Slope



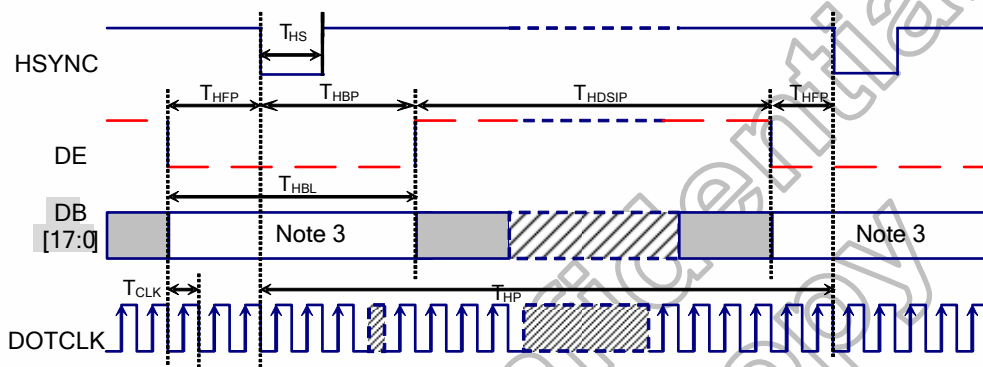
Output Signal Slope



### Vertical Timing for RGB I/F



### Horizontal Timing for RGB I/F



Item	Symbol	Condition	Spec.			Unit
			Min.	Typ.	Max.	
<b>Vertical Timing</b>						
Vertical cycle period	$T_{VP}$	-	324	326	452	HS
Vertical low pulse width	$T_{VS}$	-	2	2	-	HS
Vertical front porch	$T_{VFP}$	-	2	2	6	HS
Vertical back porch	$T_{VBP}$	-	2	4	126	HS
Vertical blanking period	$T_{VBL}$	$T_{VBP} + T_{VFP}$	4	6	132	HS
Vertical active area	$T_{VDISP}$	-	-	-	-	HS
			-	320	-	HS
			-	-	-	HS
Vertical refresh rate	TVRR	Frame rate	50	60	80	Hz
<b>Horizontal Timing</b>						
Horizontal cycle period	$T_{HP}$	-	244	252	1008	DOTCLK
Horizontal low pulse width	$T_{HS}$	-	2	2	256	DOTCLK
Horizontal front porch	$T_{HFP}$	-	2	4	256	DOTCLK
Horizontal back porch	$T_{HBP}$	-	2	8	256	DOTCLK
Horizontal blanking period	$T_{HBL}$	$T_{HBP} + T_{HFP}$	4	12	256	DOTCLK
Horizontal active area	$T_{HDISP}$	-	-	240	-	DOTCLK
Pixel clock cycle TVRR=60Hz	$f_{CLKCYC}$	-	3.9	-	16.6	MHz

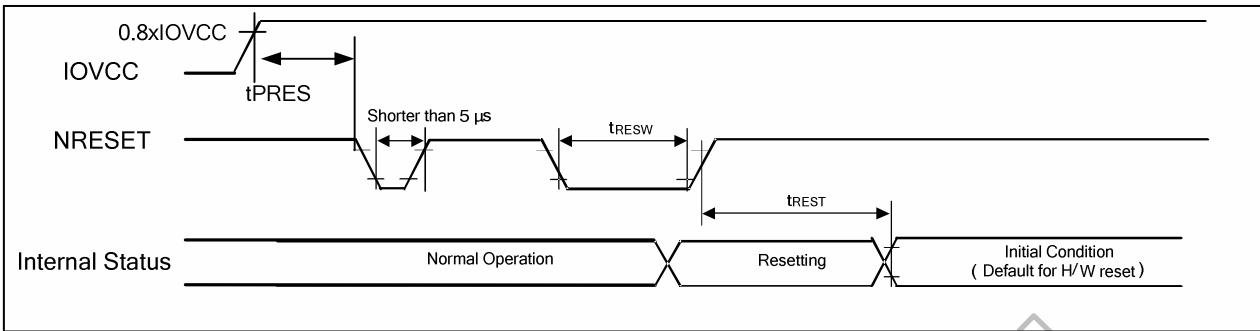
**Note:** (1) IOVCC=1.65 to 3.3V, VCI=2.3 to 3.3V, VSSA=VSSD=0V,  $T_A$ =-30 to 70°C (to +85°C no damage)

(2) Data lines can be set to "High" or "Low" during blanking time – Don't care.

(3) HP is multiples of DOTCLK.

(4) 16.6MHz is using at below condition: 324(Hs)x1008(DOTCLK)x50(Hz)

**8.5.4 Reset input timing**



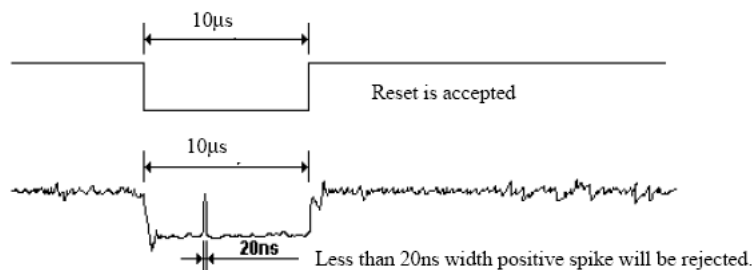
**Figure 8.5: Reset input timing**

Symbol	Parameter	Related Pins	Spec.			Note	Unit
			Min.	Typ.	Max.		
tRESW	Reset low pulse width <sup>(1)</sup>	NRESET	10	-	-	-	μs
tREST	Reset complete time <sup>(2)</sup>	-	5	-	-	When reset applied during STB OUT mode	ms
		-	120	-	-	When reset applied during STB mode	ms
tPRES	Reset goes high level after Power on time	NRESET & IOVCC	1	-	-	Reset goes high level after Power on	ms

**Note:** (1) Spike due to an electrostatic discharge on NRESET line does not cause irregular system reset according to the table below.

NRESET Pulse	Action
Shorter than 5 μs	Reset Rejected
Longer than 10 μs	Reset
Between 5 μs and 10 μs	Reset Start

- (2) During the resetting period, the display will be blanked (The display is entering blanking sequence, which maximum time is 120 ms, when Reset Starts in STB Out –mode. The display remains the blank state in STB –mode) and then return to Default condition for H/W reset.
- (3) During Reset Complete Time, VMF value in OTP will be latched to internal register during this period. This loading is done every time when there is H/W reset complete time (tREST) within 5ms after a rising edge of NRESET.
- (4) Spike Rejection also applies during a valid reset pulse as shown below:



- (5) It is necessary to wait 5msec after releasing !RES before sending commands. Also STB Out

## 9. Ordering Information

Part No.	Package
HX8347-G000 <u>PDxxx</u>	PD : mean COG xxx : mean chip thickness ( $\mu\text{m}$ ), (default: 300 $\mu\text{m}$ )

## 10. Revision History

Version	Date	Description of Changes
01	2009/09/09	New setup
	2009/10/15	1. P17~P19: modify Pin Description. 2. P29: add serial interface II.

Himax Confidential  
Do Not Copy