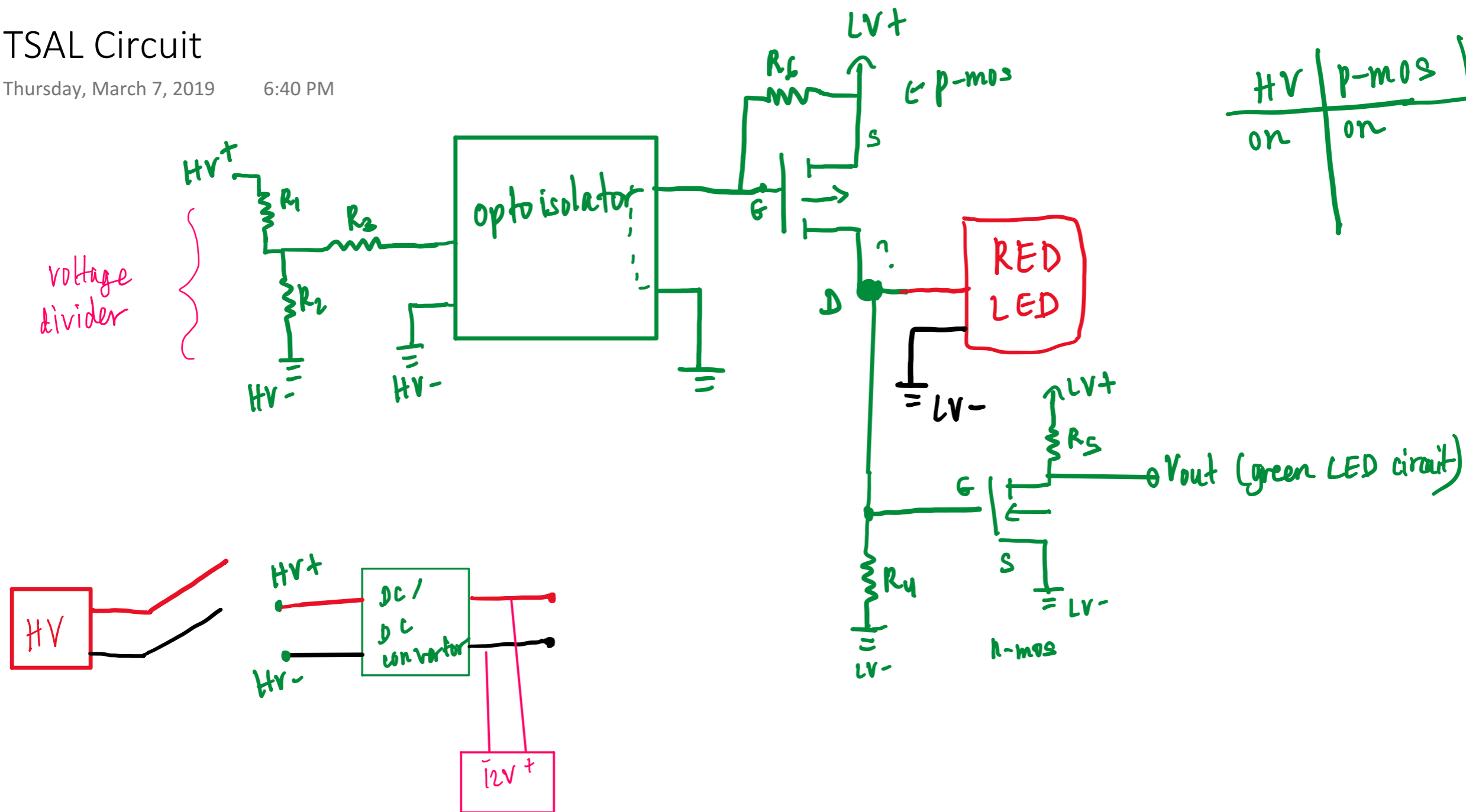


TSAL Circuit

Thursday, March 7, 2019

6:40 PM



HV	p-mos	n-mos
on	on	off