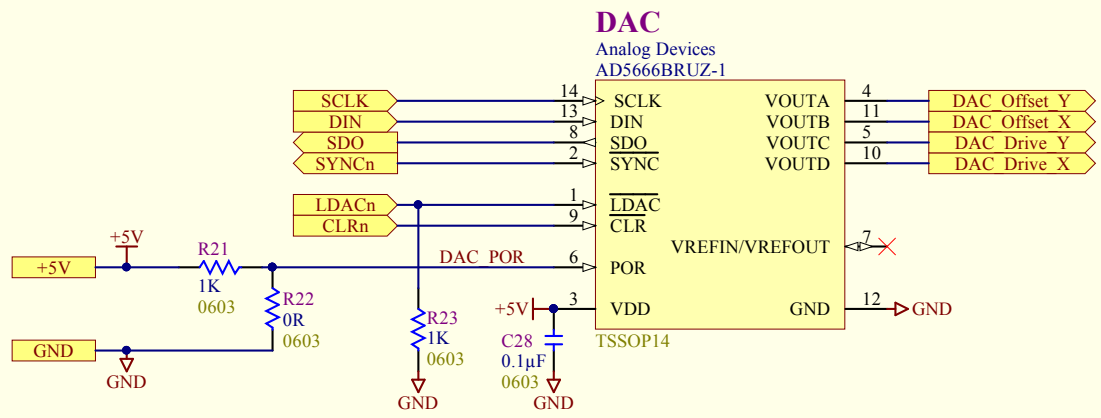

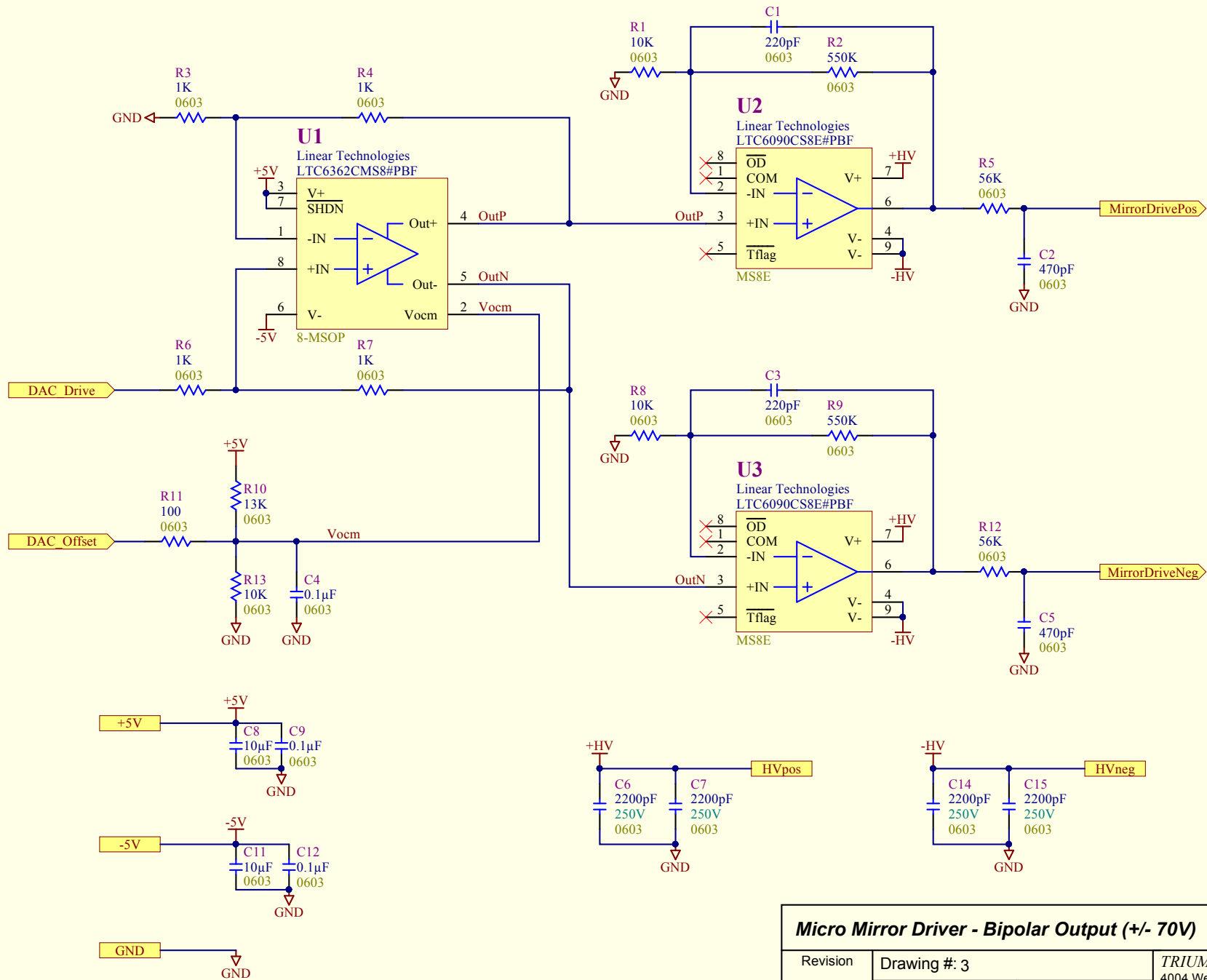


<b>Micro Mirror Driver - 2 Axis</b>		<b>TRIUMF LOGO</b>	
Revision	Drawing #: 1	TRIUMF 4004 Wesbrook Mall Vancouver, B.C. Canada V6T 2A3	
<b>0</b>	Sheet #: 1 of 5	Size: A	
	Drawn by: D.Bishop	Date: 04/07/2015	
File: C:\repository\Micro Mirror\Altium\Micro Mirror Driver - Two Axis.SchDoc			
			3:43:37 PM




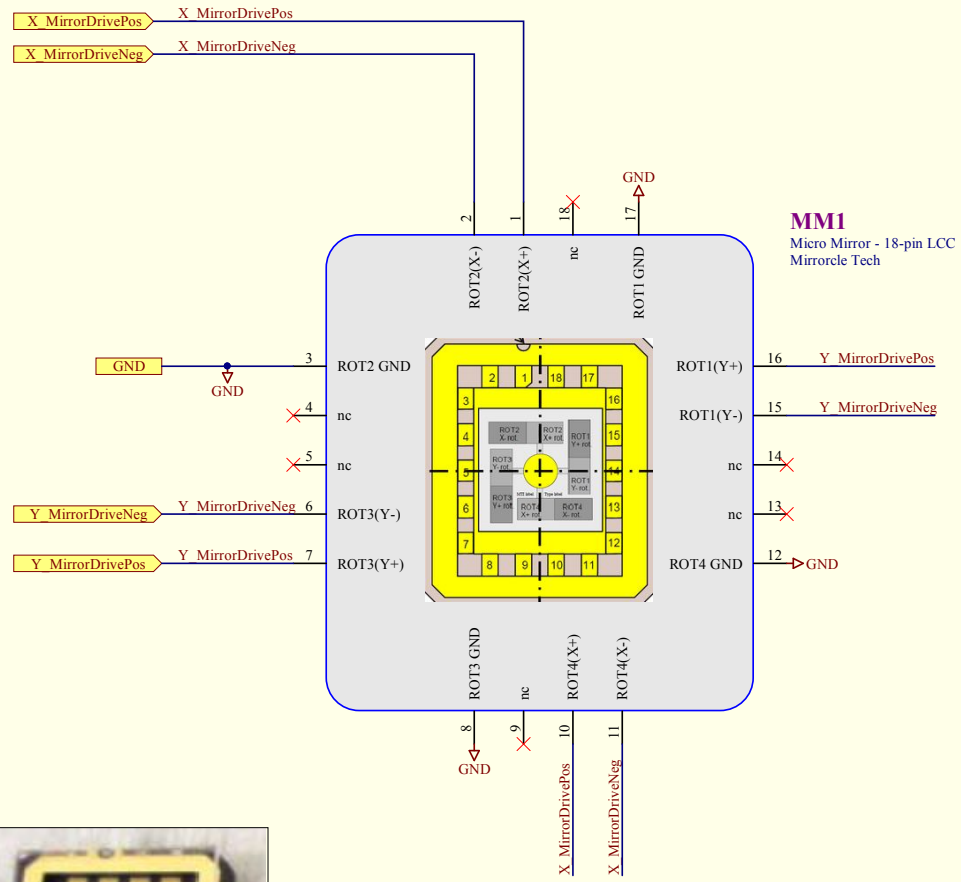
**Micro Mirror Driver - Quad 16-bit DAC**

Revision	Drawing #: 2		<b>TRIUMF</b> 4004 Wesbrook Mall Vancouver, B.C. Canada V6T 2A3	
<b>0</b>	Sheet #: 2 of 5	Size: A		
	Drawn by: D.Bishop	Date: 04/07/2015		
File: C:\repository\Micro Mirror\Altium\Micro Mirror Driver - QUAD 16-bit DAC.SchDoc				3:43:37 PM

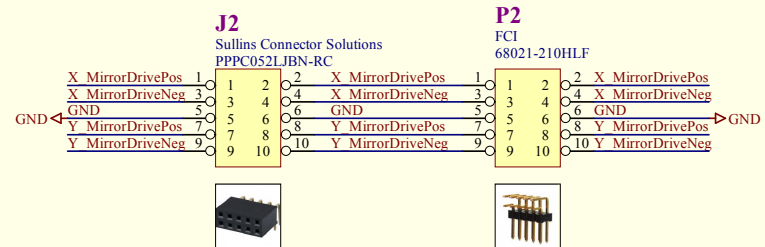
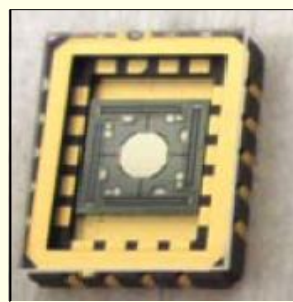


### Micro Mirror Driver - Bipolar Output (+/- 70V)

Revision	Drawing #: 3	<b>TRIUMF</b> 4004 Wesbrook Mall Vancouver, B.C. Canada V6T 2A3		
<b>0</b>	Sheet #: 3 of 5			Size: A
	Drawn by: D.Bishop			Date: 04/07/2015
File: C:\repository\Micro Mirror\Altium\Micro Mirror Driver.SchDoc				

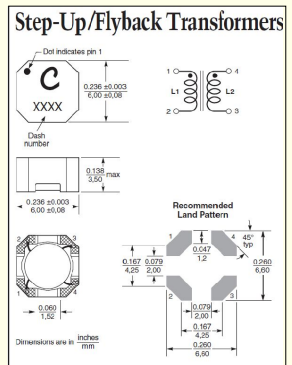
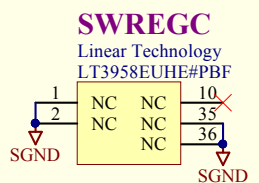
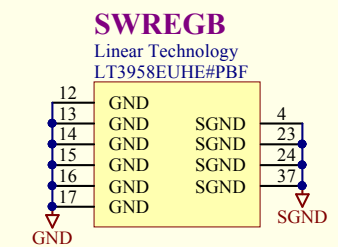
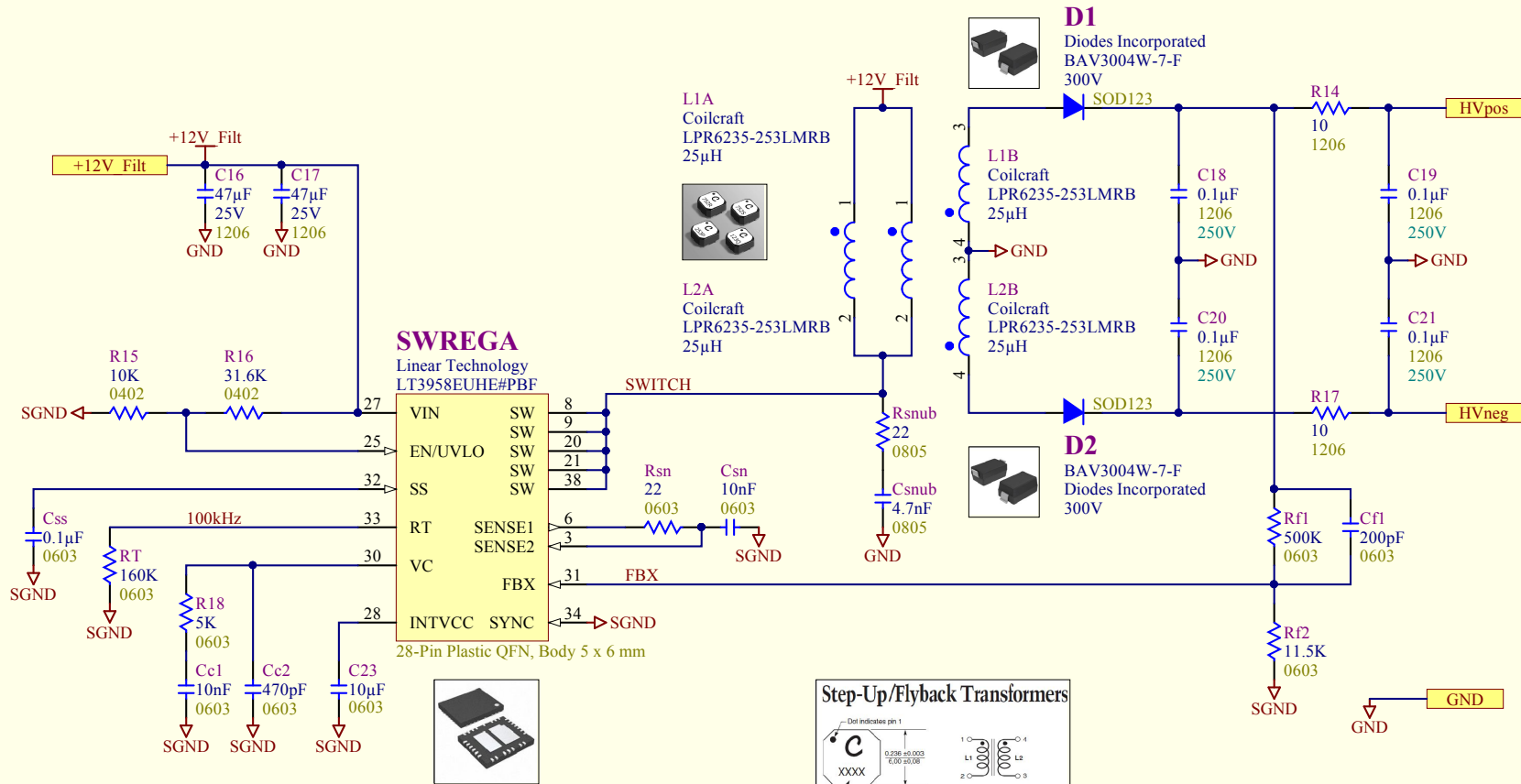



**MM1**  
Micro Mirror - 18-pin LCC  
Mirrorcle Tech



**Micro Mirror Driver - Two Axis Micro Mirror PLCC18**

Revision	Drawing #: 4	TRUMF	
<b>0</b>	Sheet #: 4 of 5	4004 Westbrook Mall	
Drawn by: D.Bishop	Date: 04/07/2015	Vancouver, B.C.	
File: C:\repository\Micro Mirror\Altium\Micro Mirror Driver - Two Axis Micro Mirror PLCC18.SchDoc		Canada	3:43:38 PM



Micro Mirror Driver - High Voltage Power Supply			
Revision	Drawing #: 5		TRIUMF 4004 Wesbrook Mall Vancouver, B.C. Canada V6T 2A3
0	Sheet #: 5 of 5	Size: A	
	Drawn by: D.Bishop	Date: 04/07/2015	
File: C:\repository\Micro Mirror\Altium\Micro Mirror Driver - High Voltage Power Supply.SchDoc			
			3:43:38 PM

