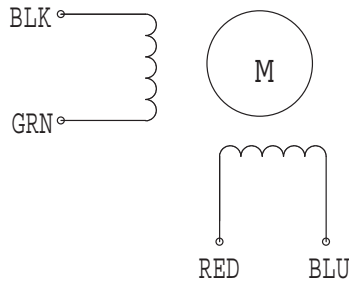


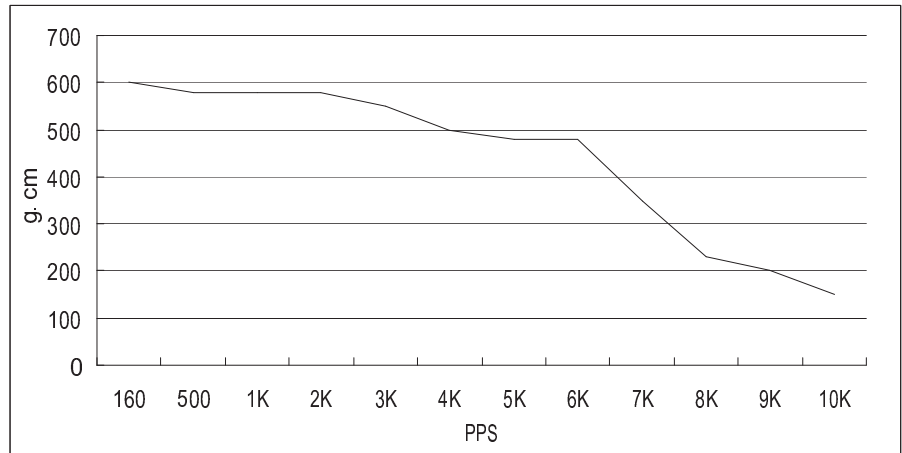
# HIGH TORQUE HYBRID STEPPING MOTOR SPECIFICATIONS

General specifications		Electrical specifications	
Step Angle (°)	1.8	Rated Voltage (V)	4.56
Temperature Rise (°C)	80 Max (rated current, 2 phase on)	Rated Current (A)	0.67
Ambient Temperature (°C)	-20 ~ +50	Resistance Per Phase ( $\pm 10\%$ $\Omega$ )	6.8 (25°C)
Number of Phase	2	Inductance Per Phase ( $\pm 20\%$ mH)	4.9
Insulation Resistance (M $\Omega$ )	100 Min (500VDC)	Holding Torque (N.cm)	9.5
Insulation Class	Class B	Detent Torque (N.cm)	
Max.radial force (N)	28 (20mm from the flange)	Rotor Torque (g.cm <sup>2</sup> )	9
Max.axial force (N)	10	Weight (Kg)	0.12

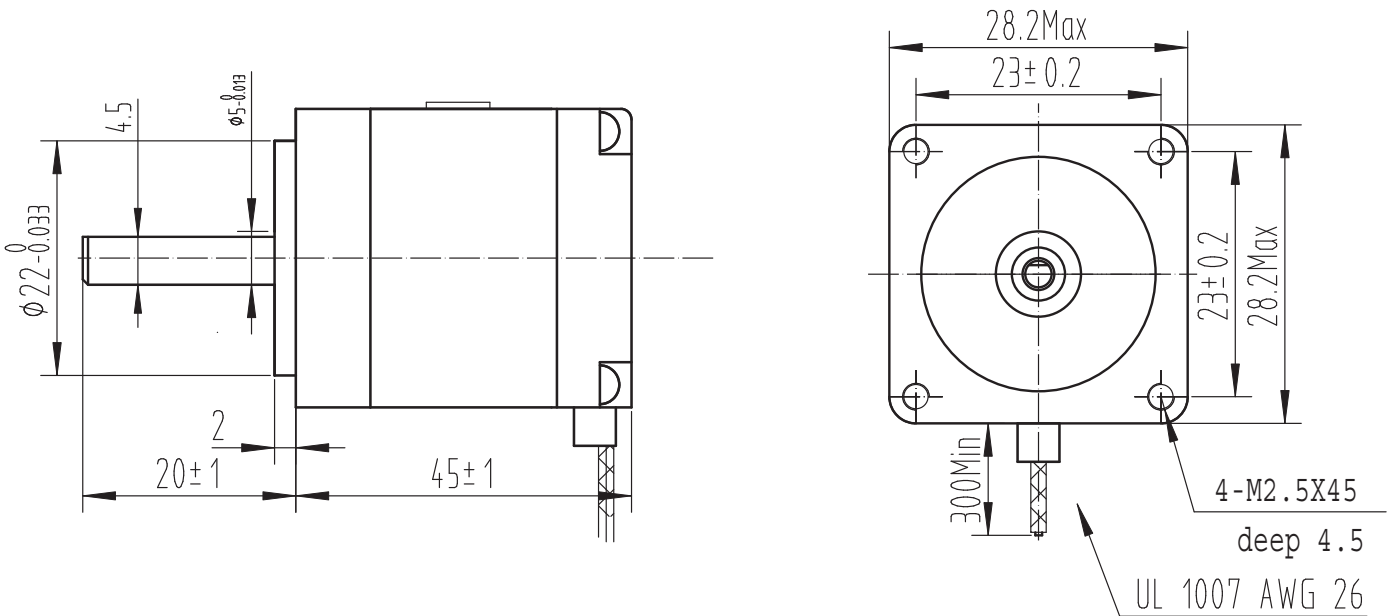
● Wiring Diagram :



SY28STH45-0674A Pull out torque curve:  
VOLTAGE: 24VDC, CONSTANT CURRENT:0.67A, HALF STEP



● Dimensions:  
(unit=mm)



					SY28STH45-0674A	TECHNICAL CONDITIONS
REV	REVISIONS	DESCRIPTION	BY	DATE	CHANGZHOU SONGYANG MACHINERY & ELECTRONICS NEW TECHNIC INSTITUTE	020045012
DRAW	kongxiangzhen 2012.05.12					
CHECK						
APPROVE						