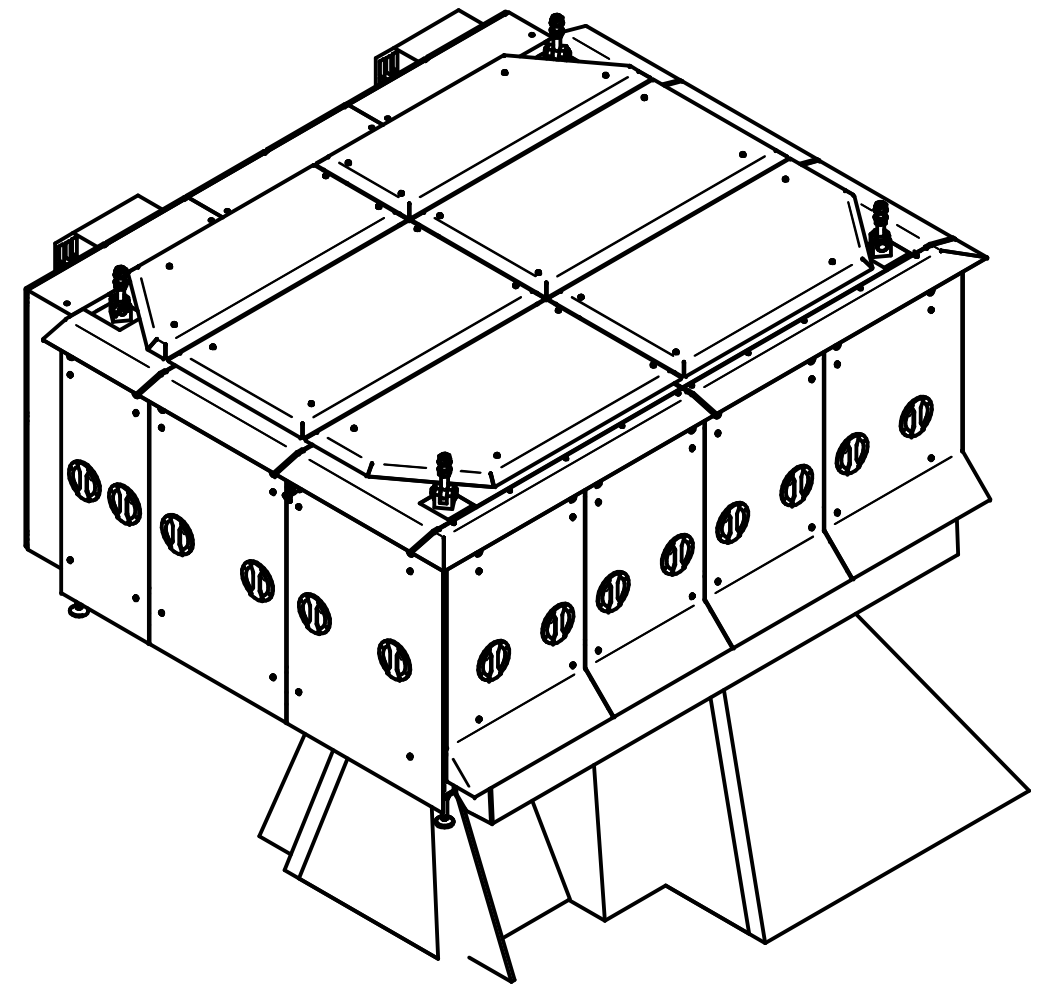

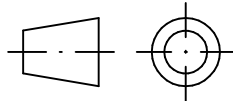


Höhen von Nullpunkt:

PS2	374mm
FLIR	520mm
Hyperspecs	635mm
Stereovis	578mm
Laserscanner	1135mm Oberkante Montageplatte



	Name	Date	 www.lemnatec.com		
drawn by	David Moyses	15.02.2016			
checked by	-	-	Customer Name -		
Material	-	Name Koordinaten Kamerabox			
	Specifications		Scale M 1:20 Project No. 7100019 Rev. 0 Sheet Z.dft A3		
general tolerances following DIN ISO 2768-2 mK	-				