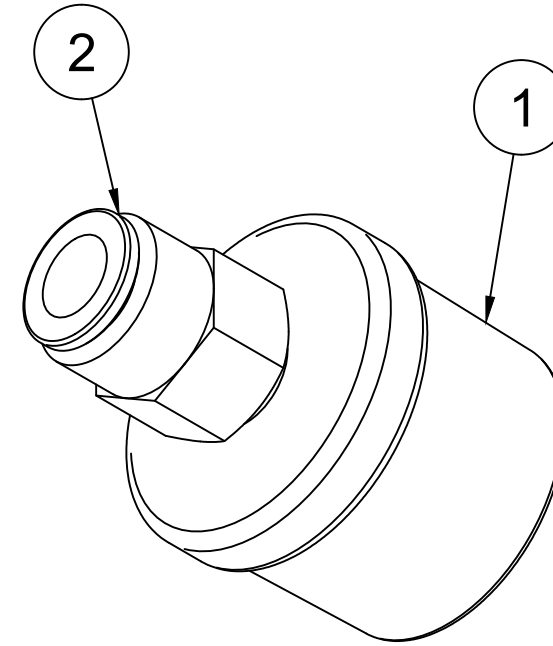
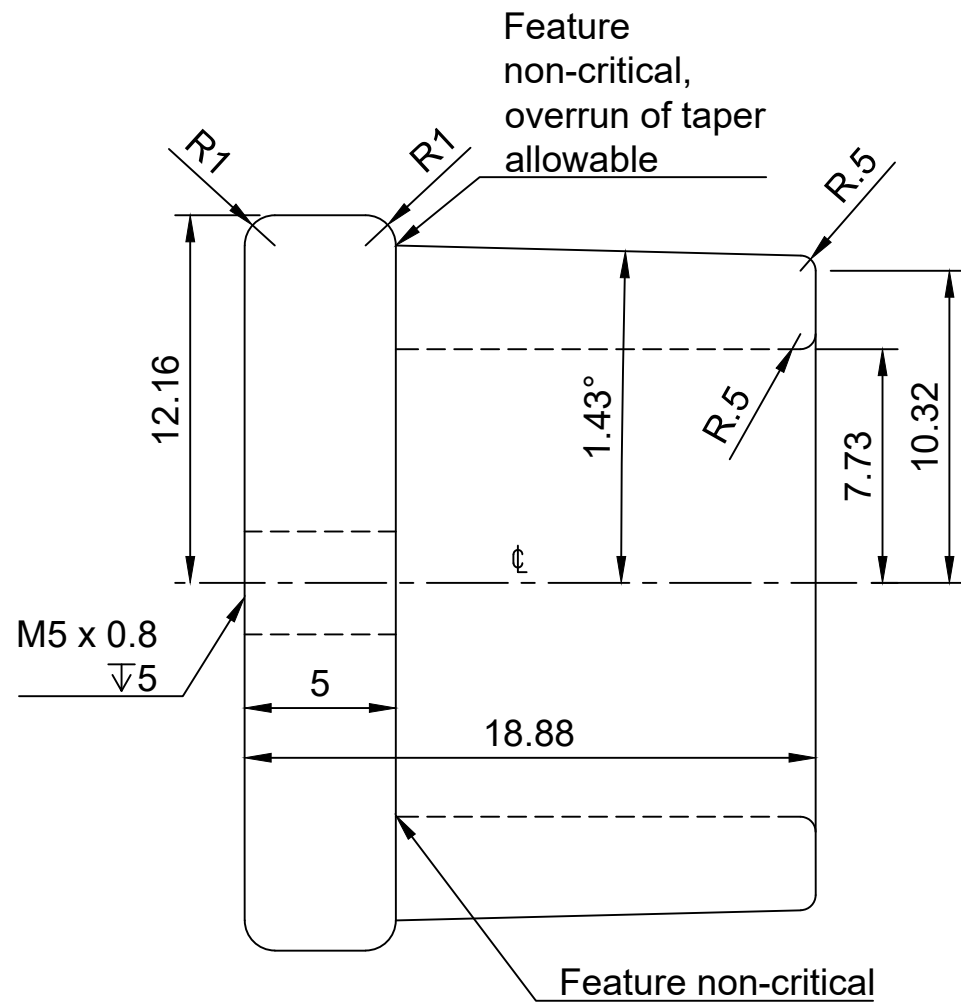


Notes (unless otherwise specified):


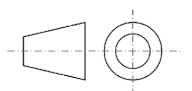
1. This drawing is construed as information only, it is complete only to the degree necessary to illustrate a system definition for assembly

Parts List			
Item	Qty	Part Number	Part Name
1	1	P-TET-000127-0	Adaptor body
2	1	M-LEGRIS-3101-06-19	6 mm push fit to M5 stud v2



Copyright Notice:

This drawing is open hardware: you can redistribute it and/or modify it under the terms of the CERN OPEN HARDWARE LICENSE VER 2 - PERMISSIVE See ohwr.org/cern_ohl_p_v2.pdf

UNITS: MM		 TETRA BIO DISTRIBUTED		PROJECT TETRA	
TOLERANCES: x ± 0.5 .x ± 0.2 .xx ± 0.1 Angles ± 0.5°		WWW.TETRABIODISTRIBUTED.ORG		TITLE A-TET-001106-0	
1st ANGLE PROJECTION		APPROVED		SIZE	DATE
		APPROVED DATE		A3	23/02/2021
CHECKED		DRAWN		PART NO	REV
Darragh Broadbent		Darragh Broadbent		D-TET-001106-0	0
DO NOT SCALE		MATERIAL: Aluminium 6082		SHEET 1/1	