

S6LX25-FTG256_2



File: S6LX25-FTG256_2.kicad_sch

S6LX25-FTG256_3



File: S6LX25-FTG256_3.kicad_sch

S6LX25-FTG256_4



File: S6LX25-FTG256_4.kicad_sch

S6LX25-FTG256_5

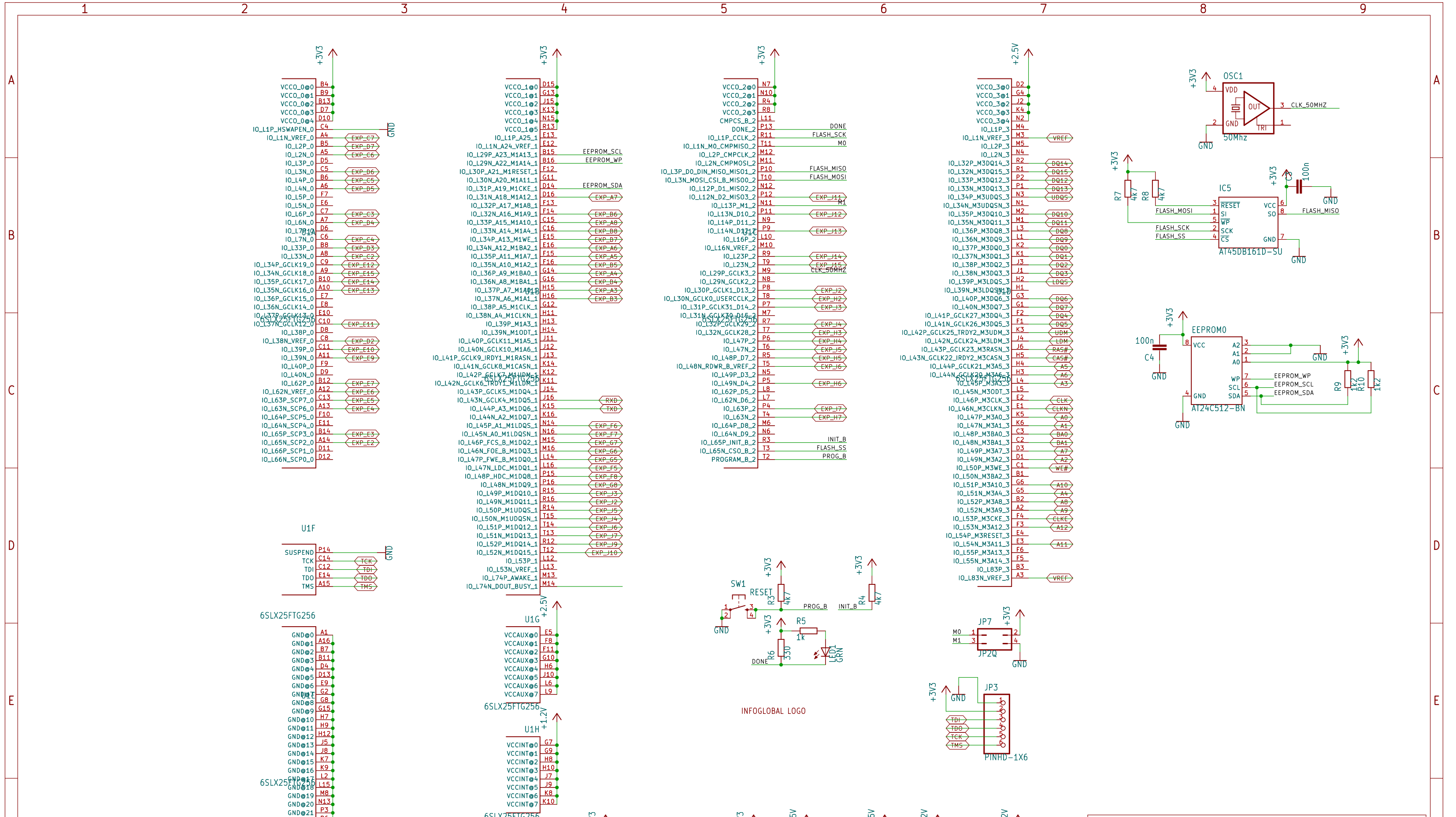


File: S6LX25-FTG256_5.kicad_sch

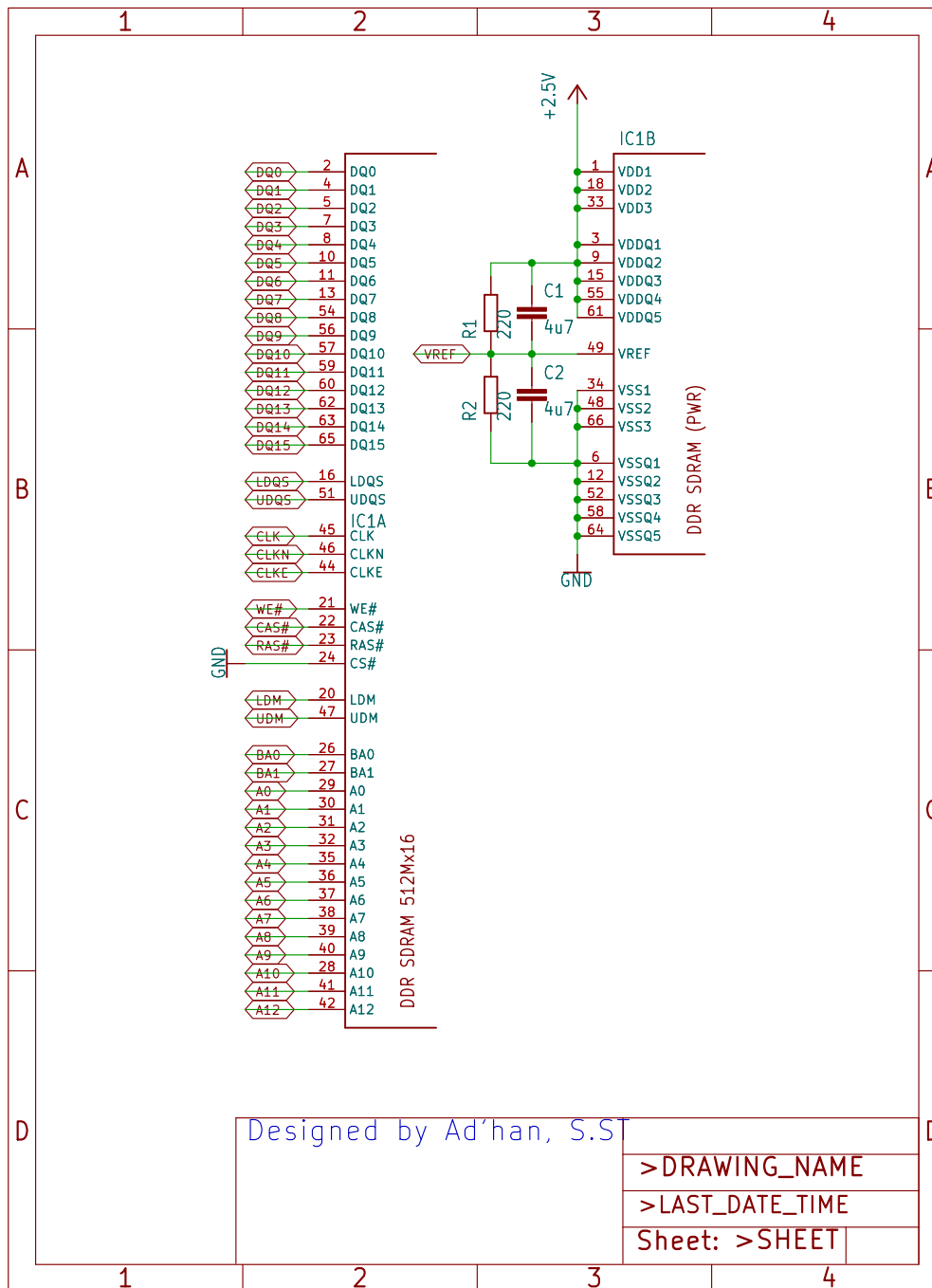
S6LX25-FTG256_6



File: S6LX25-FTG256_6.kicad_sch

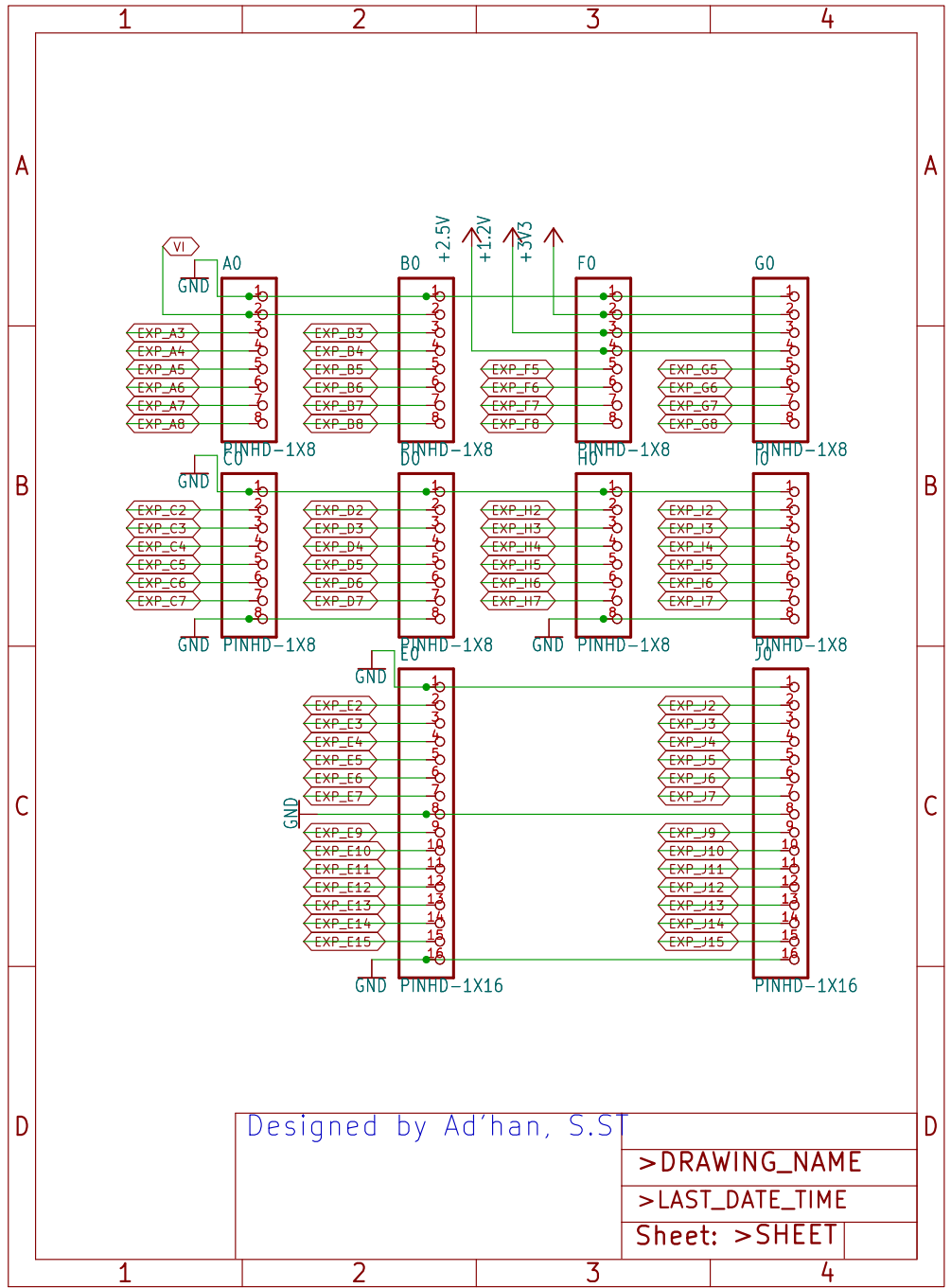


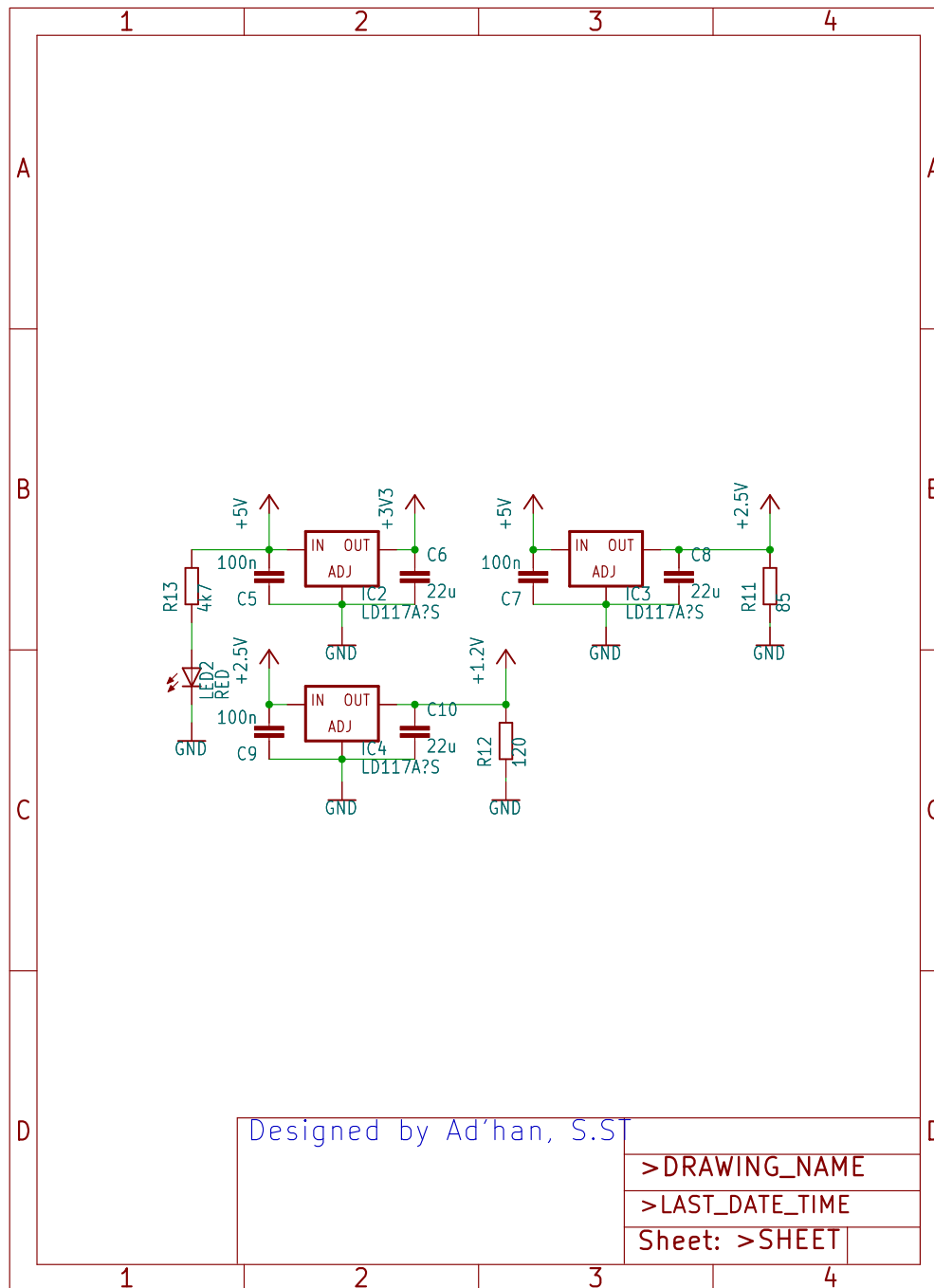
Designed by Ad'han, S.ST	
TITLE: >DRAWING_NAME	
Document Number: SP6LX25P1	REV: V2.a
Date: >LAST_DATE_TIME	Sheet: >SHEET



Designed by Ad'han, S.S

>DRAWING_NAME
 >LAST_DATE_TIME
 Sheet: >SHEET





Designed by Ad'han, S.S

>DRAWING_NAME

>LAST_DATE_TIME

Sheet: >SHEET

