
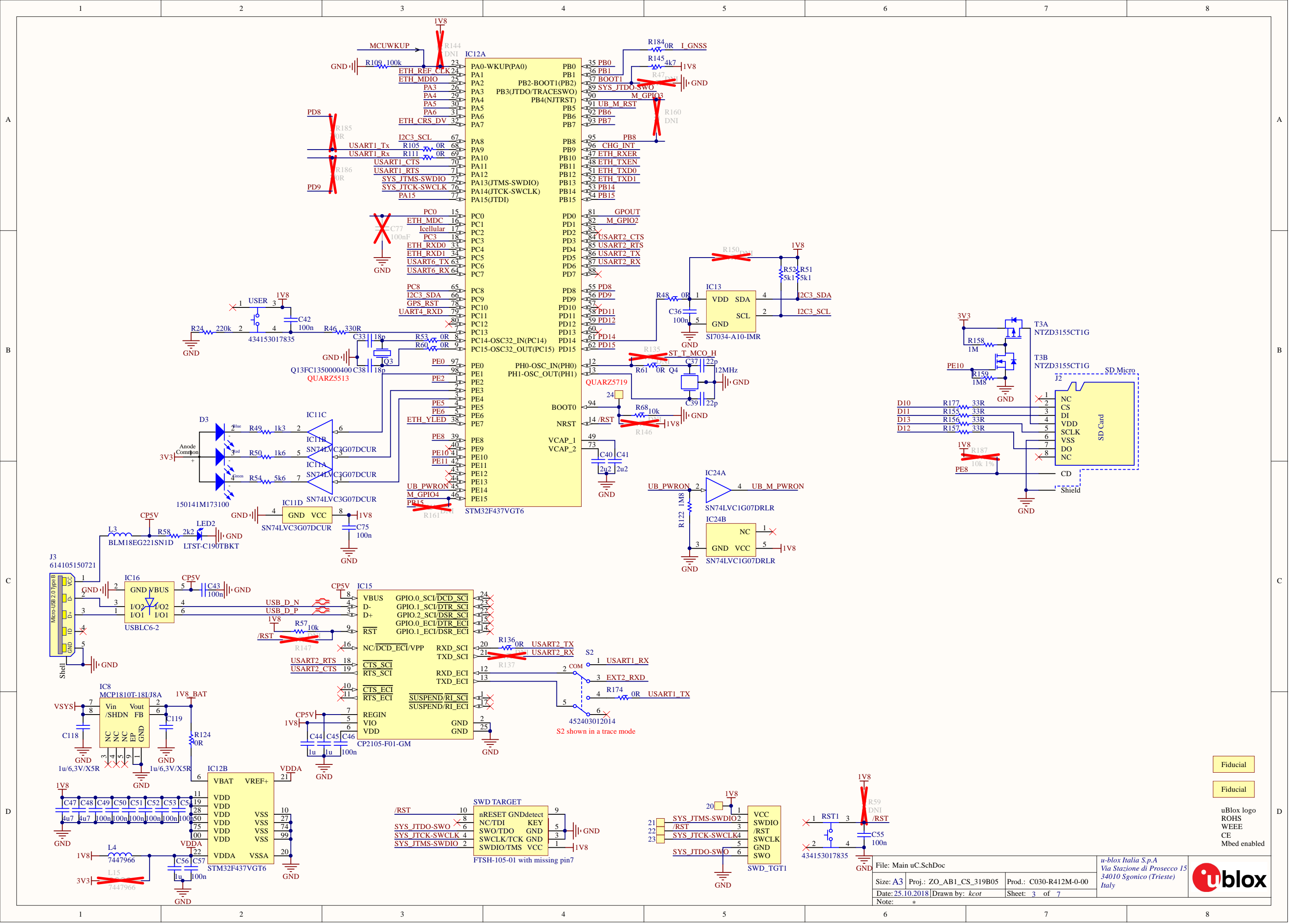
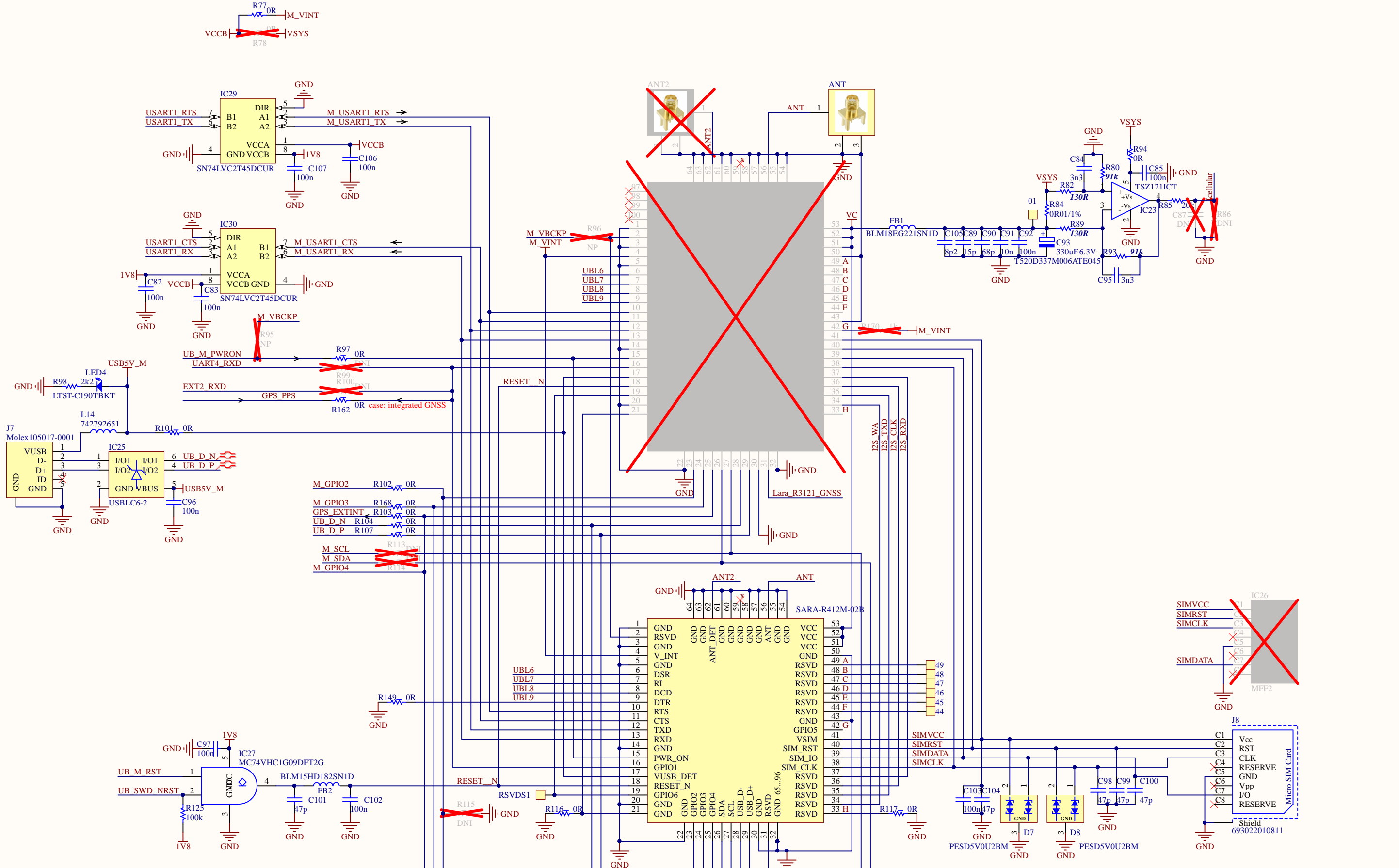


File: Power.SchDoc			u-blox Italia S.p.A Via Stazione di Prosecco 15 34010 Sgonico (Trieste) Italy	
Size: A4	Proj.: ZO_AB1_CS_319B05	Prod.: C030-R412M-0-00		
Date: 25.10.2018	Drawn by: kcot	Sheet: 2 of 7		
Note:	*			



Fiducial
 Fiducial
 uBlox logo
 ROHS
 WEEE
 CE
 Mbed enabled



A

A

B

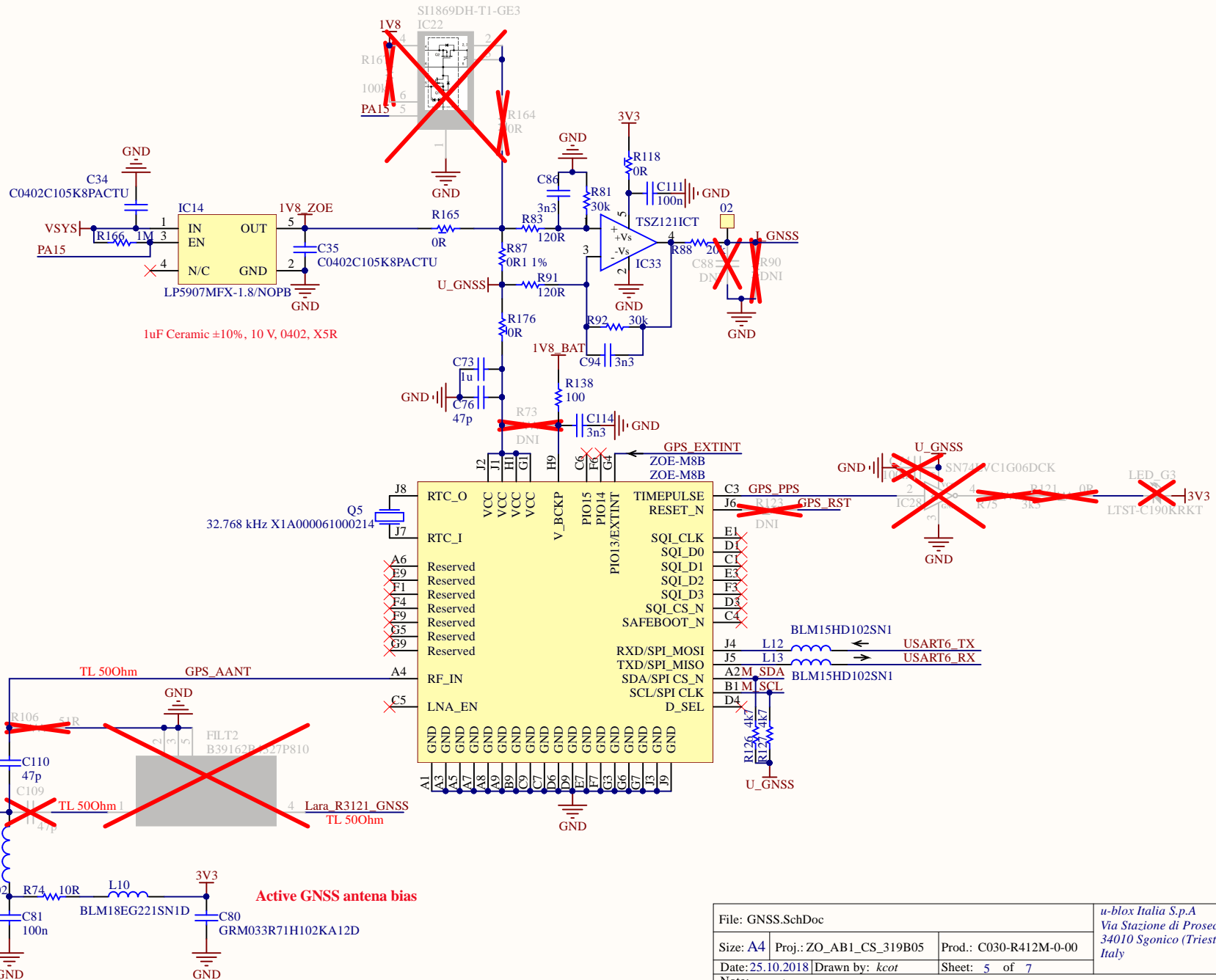
B

C

C

D

D



File: GNSS.SchDoc			u-blox Italia S.p.A Via Stazione di Prosecco 15 34010 Sgonico (Trieste) Italy	
Size: A4	Proj.: ZO_AB1_CS_319B05	Prod.: C030-R412M-0-00		
Date: 25.10.2018	Drawn by: kcot	Sheet: 5 of 7		
Note:	*			



A

A

B

B

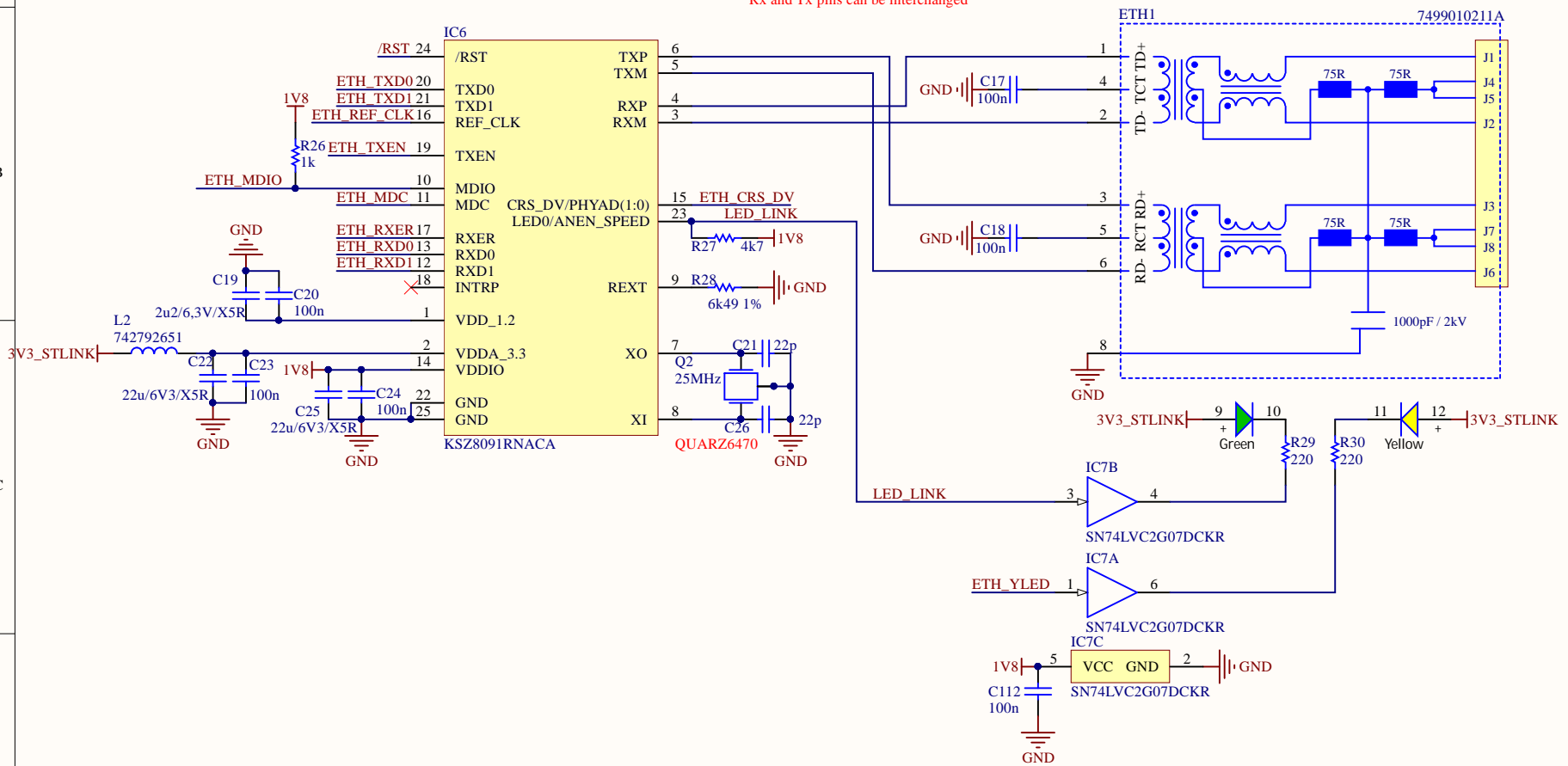
C

C

D

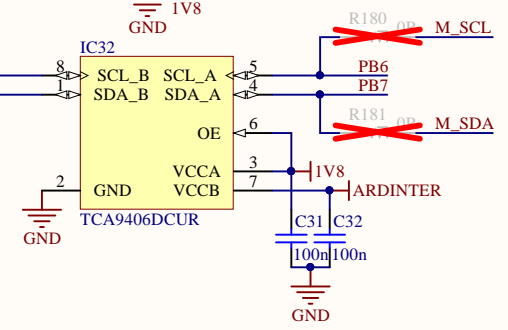
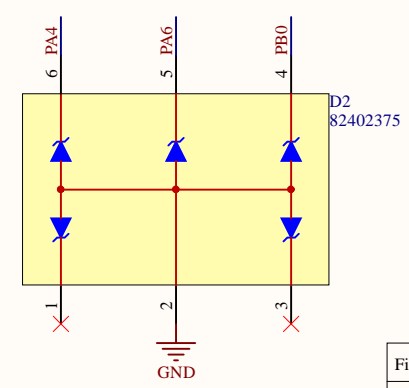
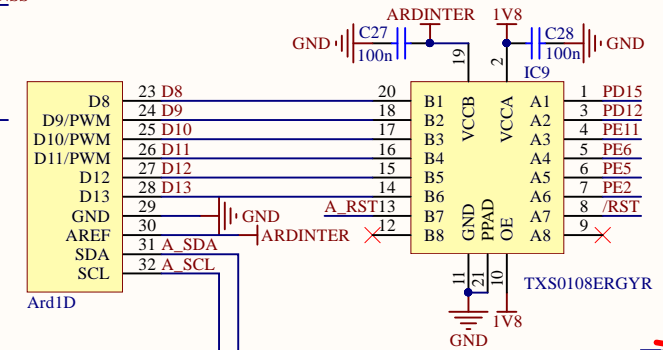
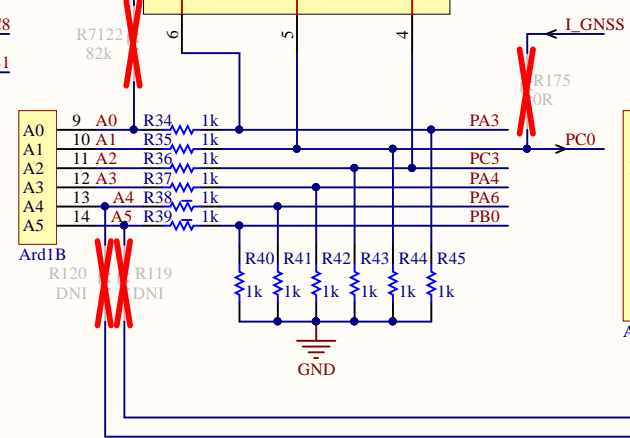
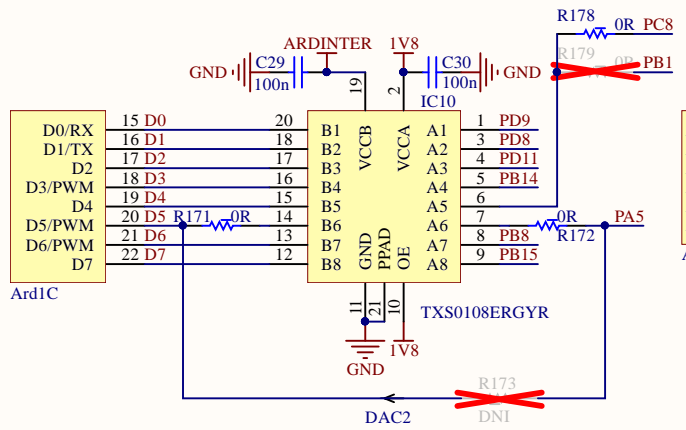
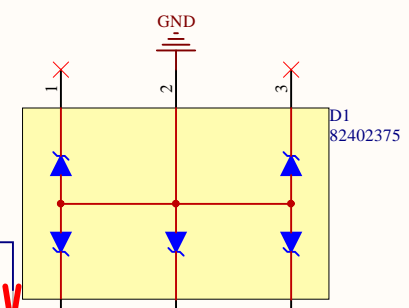
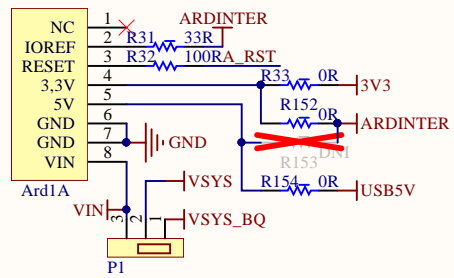
D

Rx and Tx pins can be interchanged

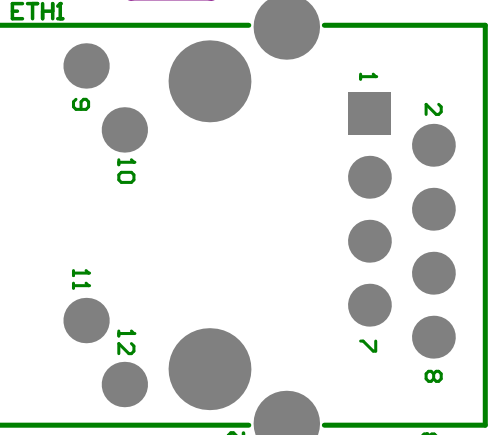


File: Ethernet.SchDoc			u-blox Italia S.p.A Via Stazione di Prosecco 15 34010 Sgonico (Trieste) Italy
Size: A4	Proj.: ZO_AB1_CS_319B05	Prod.: C030-R412M-0-00	
Date: 25.10.2018	Drawn by: kcot	Sheet: 6 of 7	
Note: *			





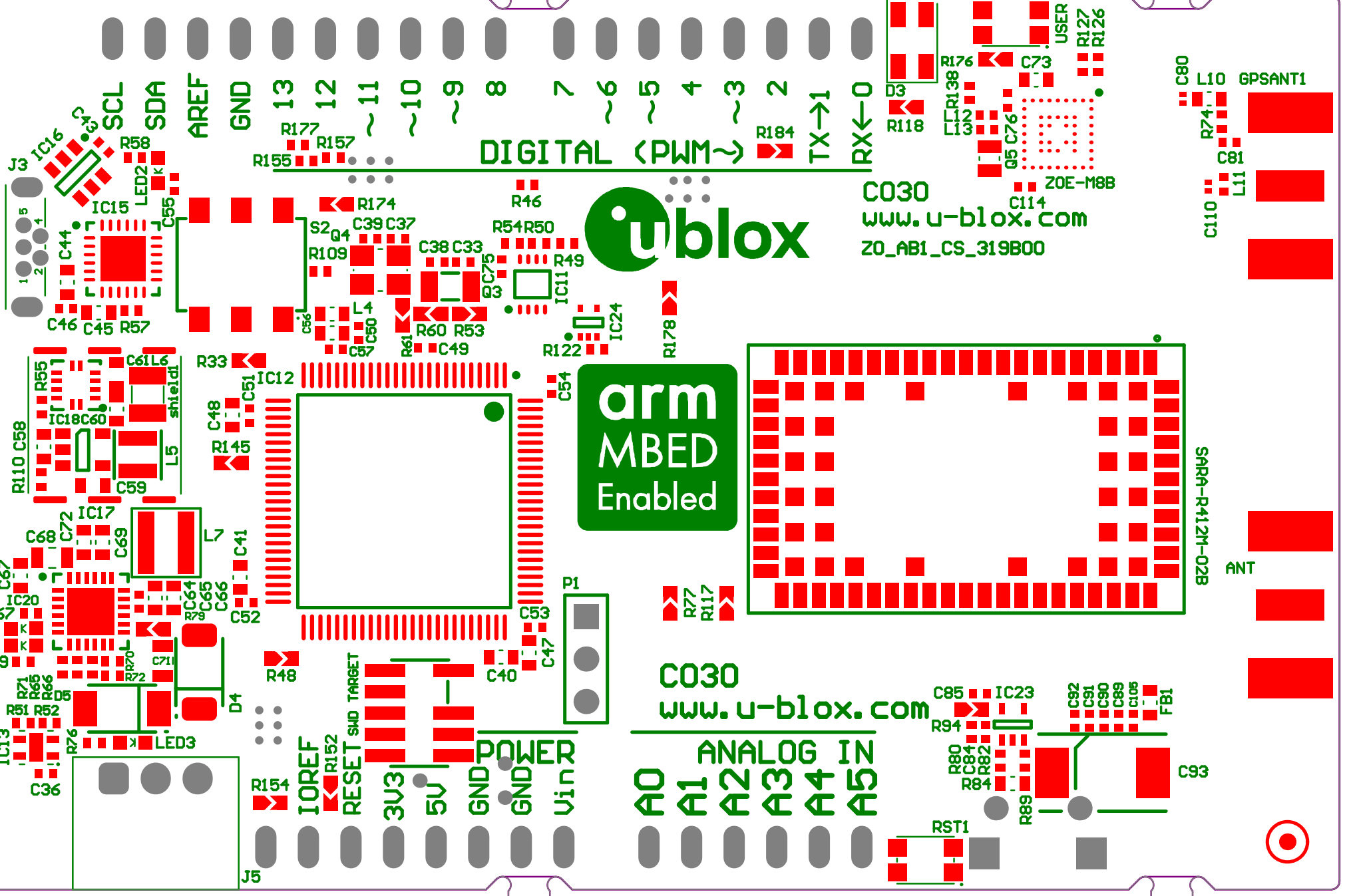
Mill out



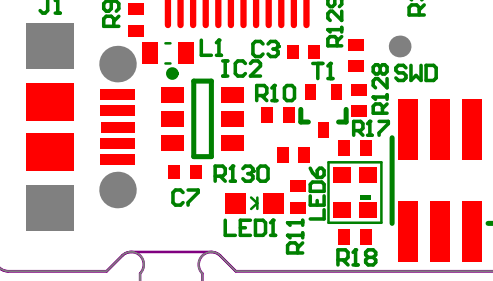
Mill out

Mill out

Mill out



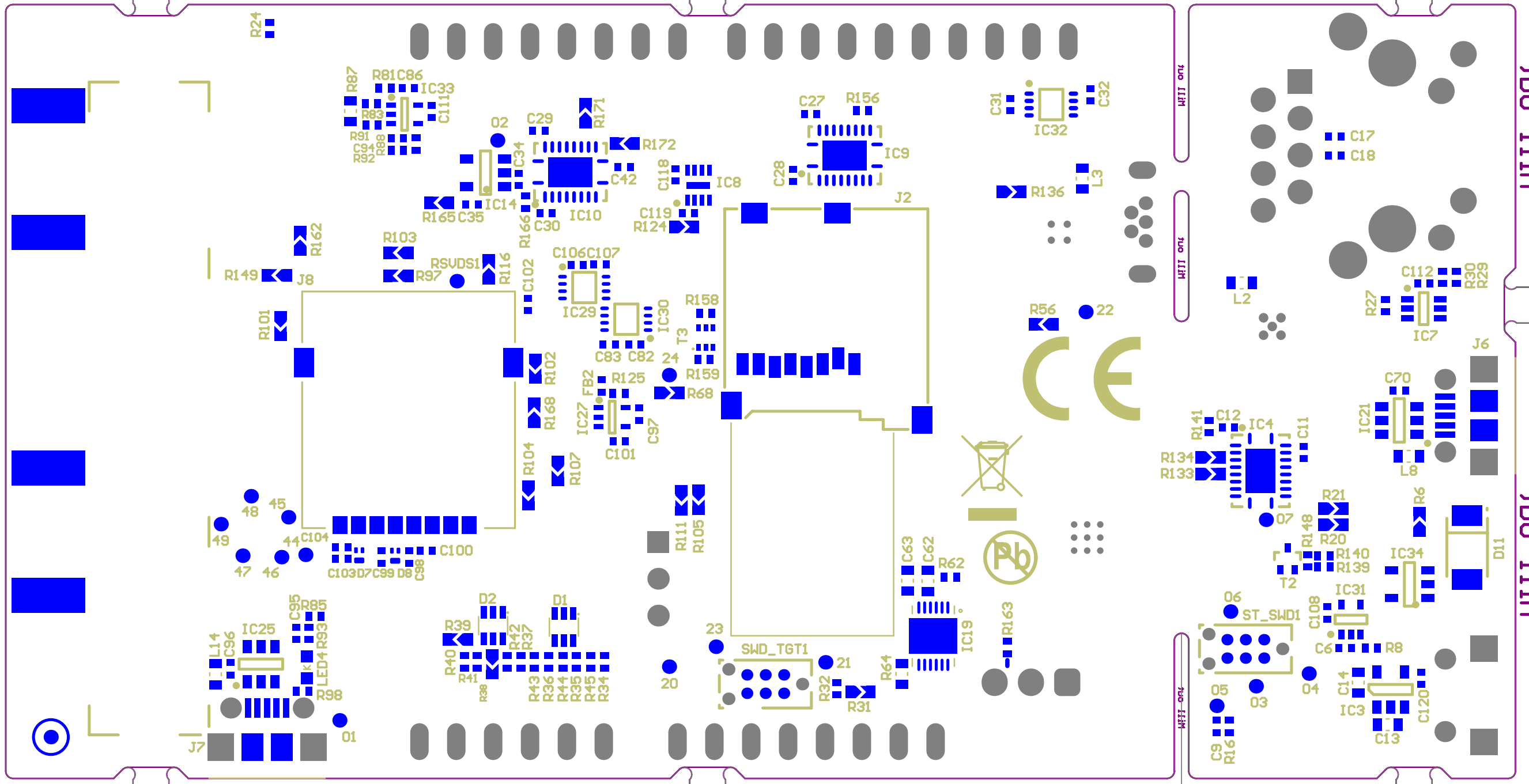
Mill out



Mill out

Mill out

Mill out



WIFI-001

WIFI-001

WIFI-001

WIFI-001

WIFI-001