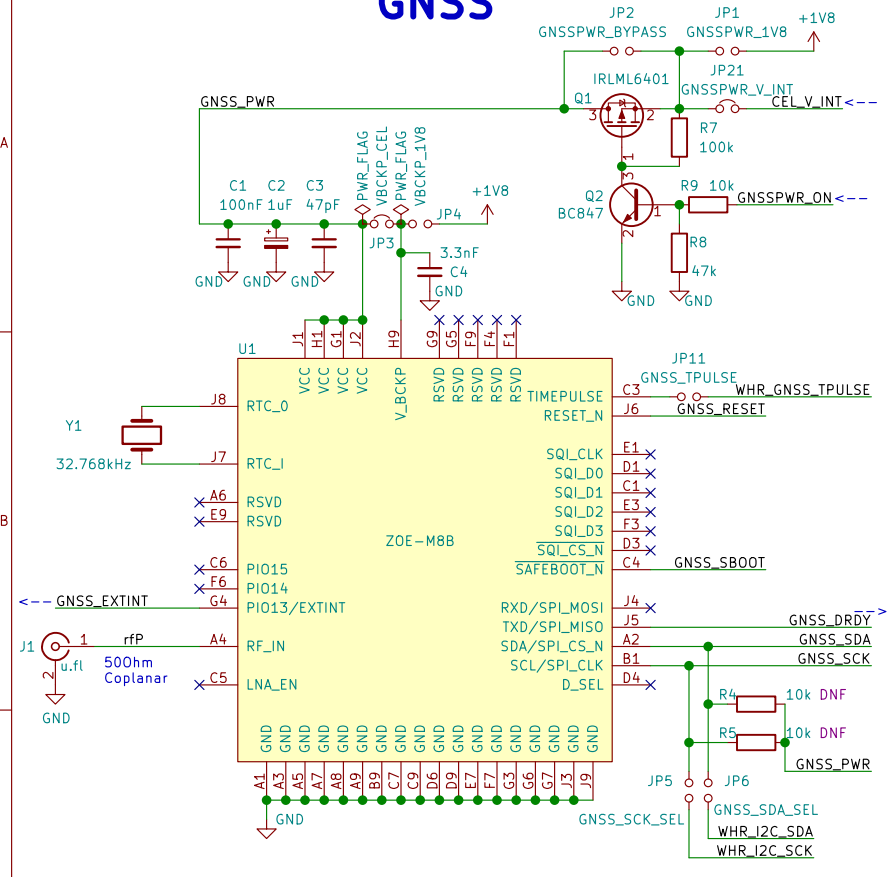
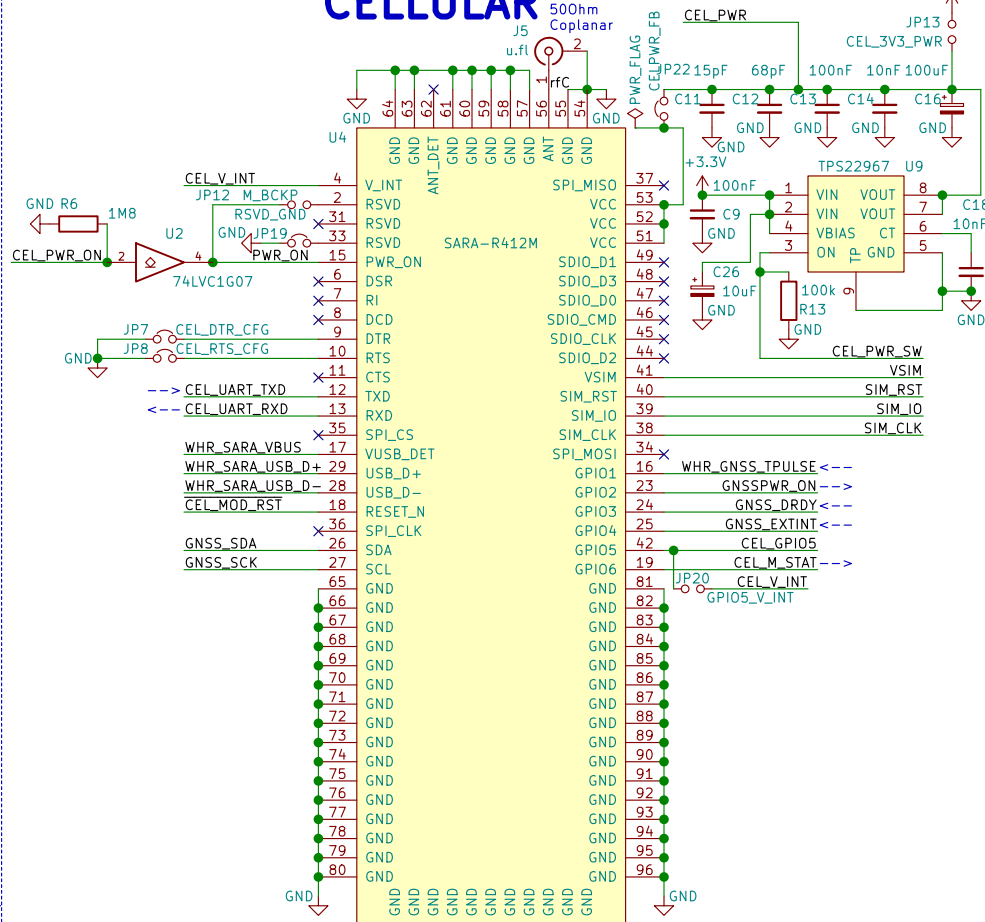


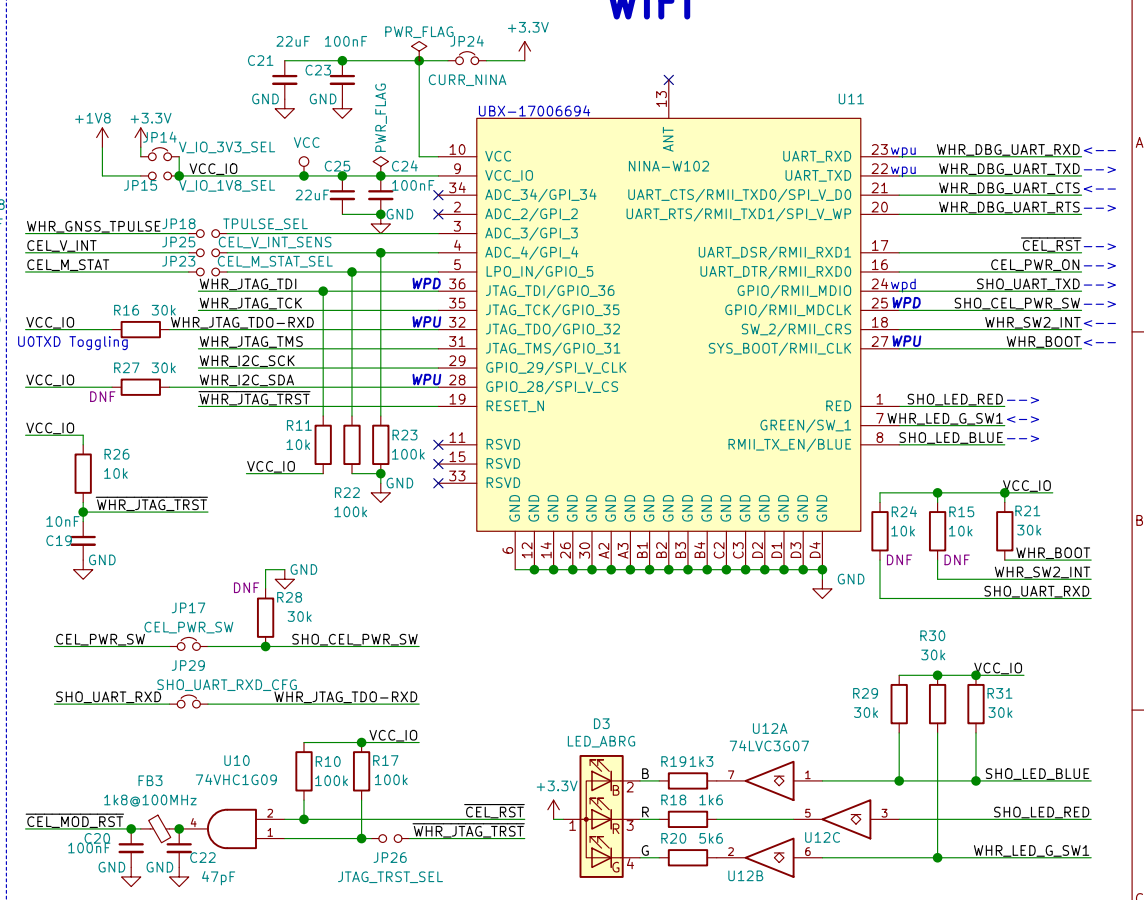
GNSS



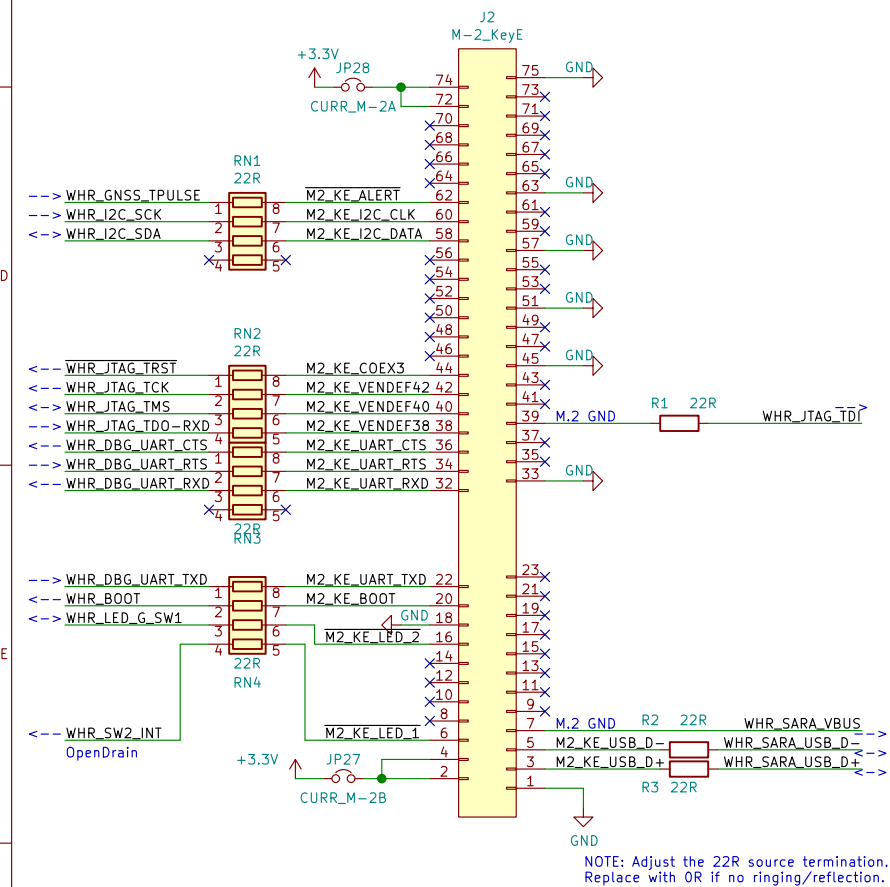
CELLULAR



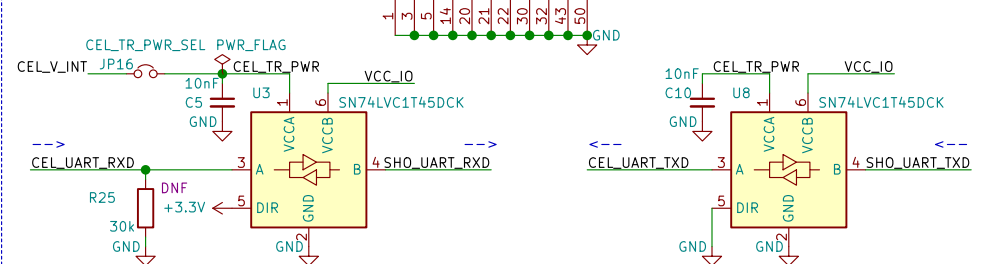
WiFi



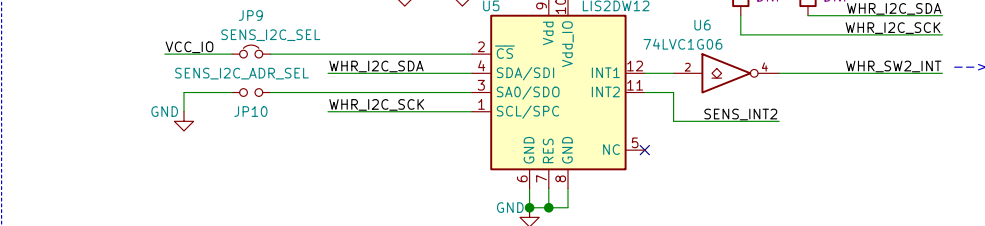
M.2 Edge KeyE



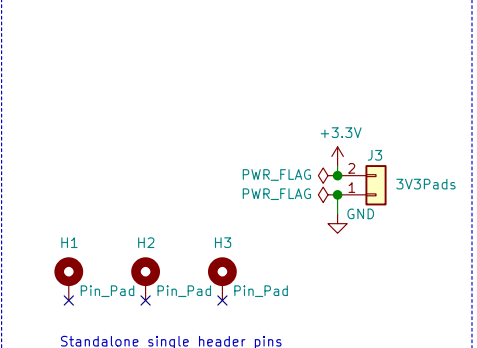
NOTE: Adjust the 22R source termination. Replace with OR if no ringing/reflection.



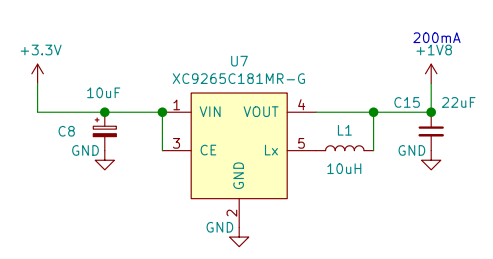
Sensor(s)



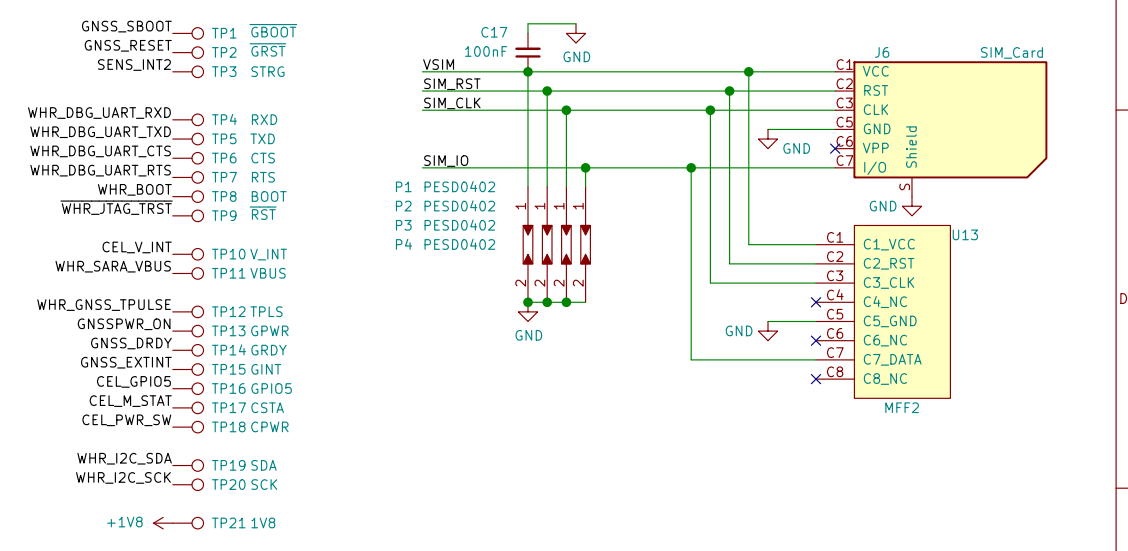
Factory Provisioning Standalone Use



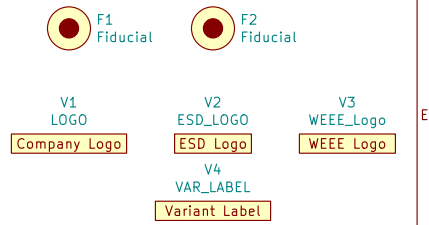
Power Supply



Embedded UICC



- NOTES:
 1- All jumpers are "Solder Jumpers"
 2- "PWR_FLAG"s are driving the nets for ERC
 3- wpd: weak pull down (Uppercase + Bold: Bootstrap pin)
 4- wpu: weak pull up (Uppercase + Bold: Bootstrap pin)



WHRE M.2 KeyE AIC
 euyg
u-blox Cambourne
 Sheet: /whre-AIC-KeyE/
 File: whre-AIC-KeyE.sch
Title: WHRE Device, M.2 AIC(Add In Card)
 Size: A3 Date: 2019-03-29 Rev: V1.1(in review)
 KiCad E.D.A. kicad (5.1.2)-2 Id: 2/2