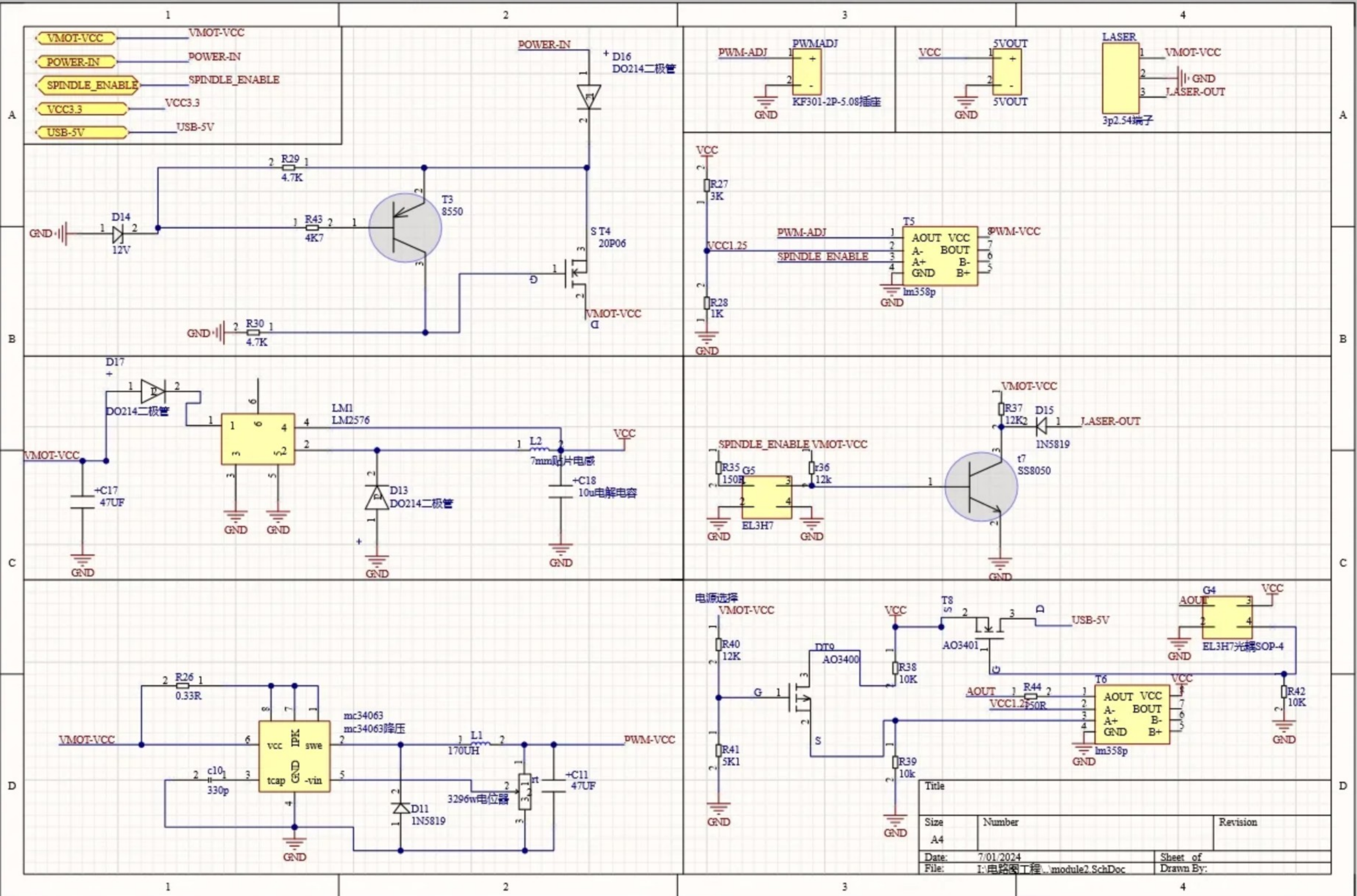
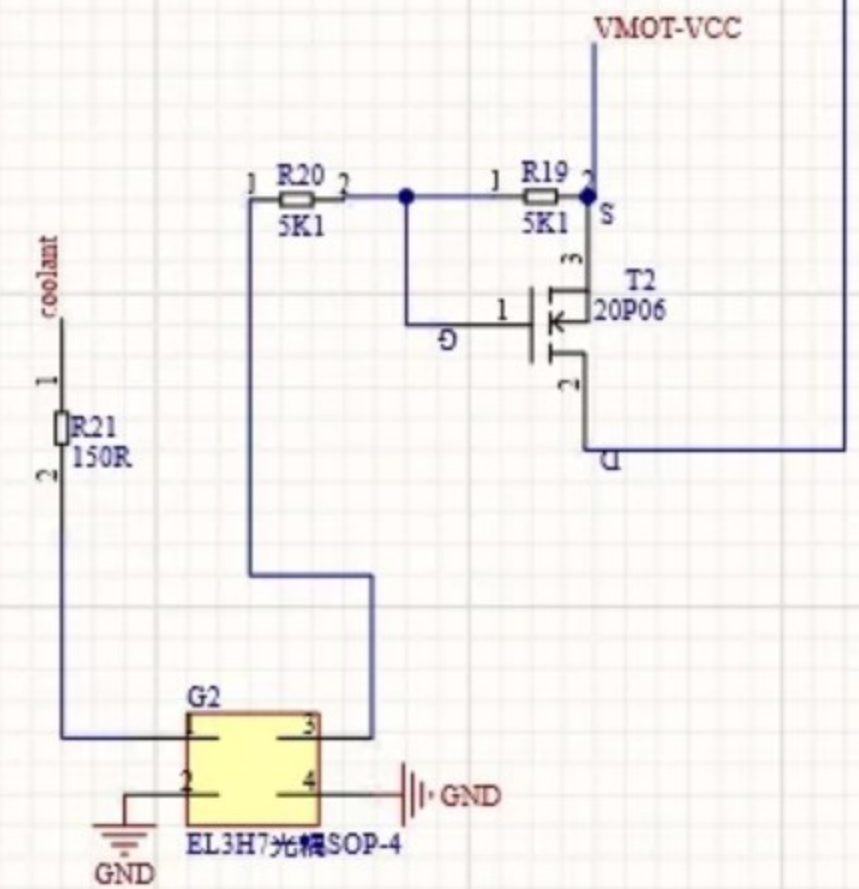
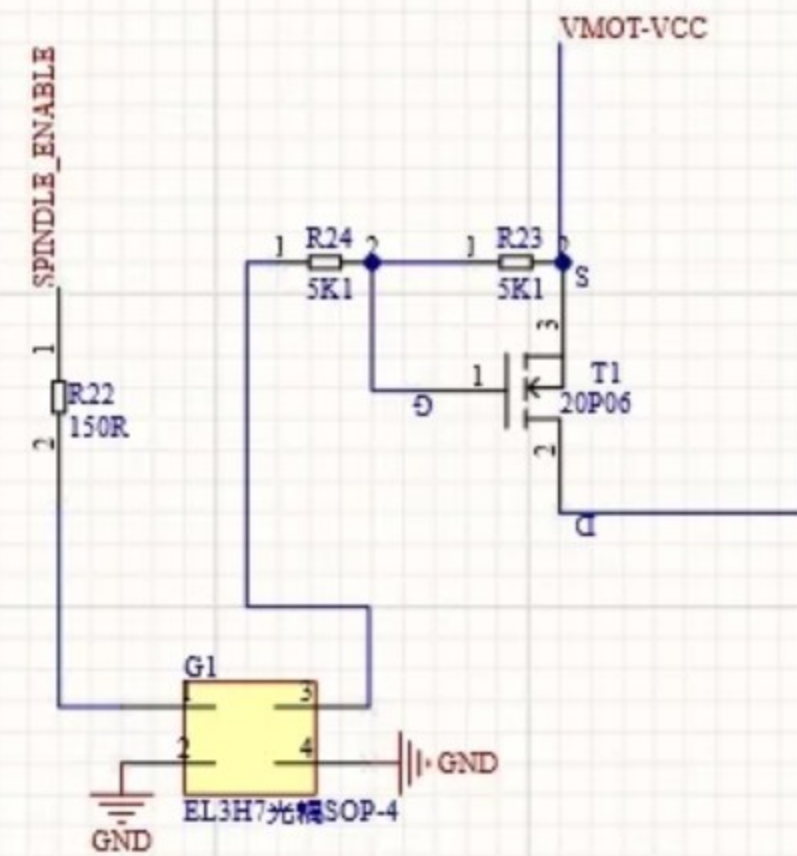
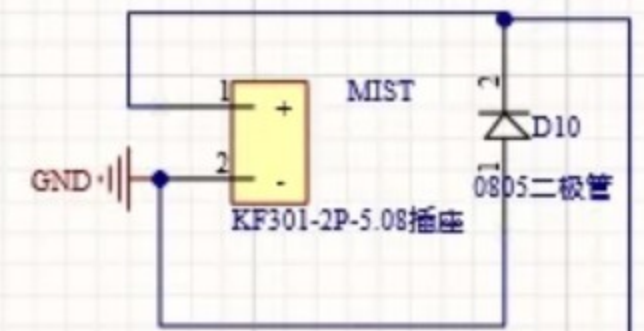
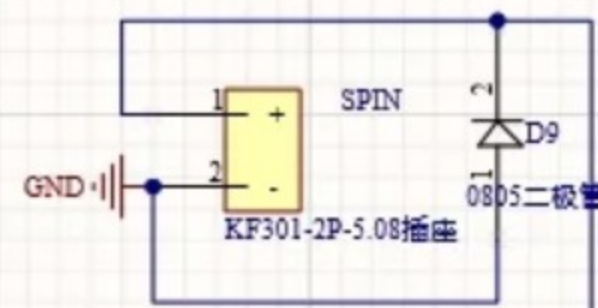
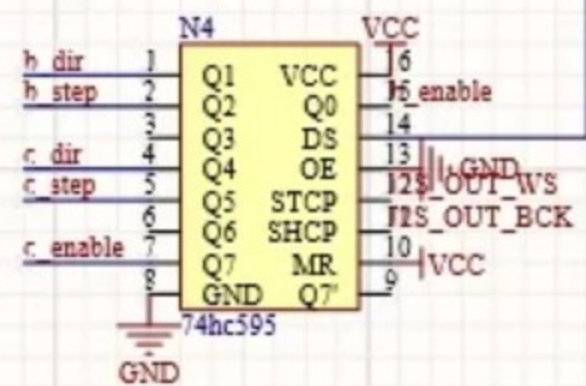
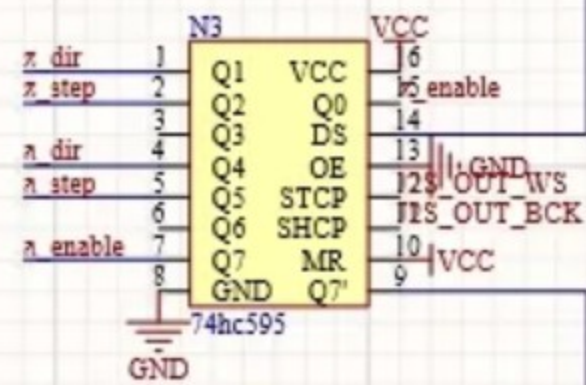
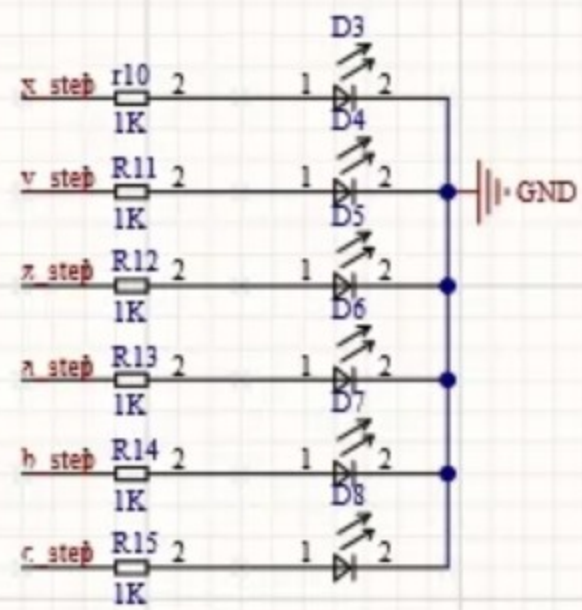
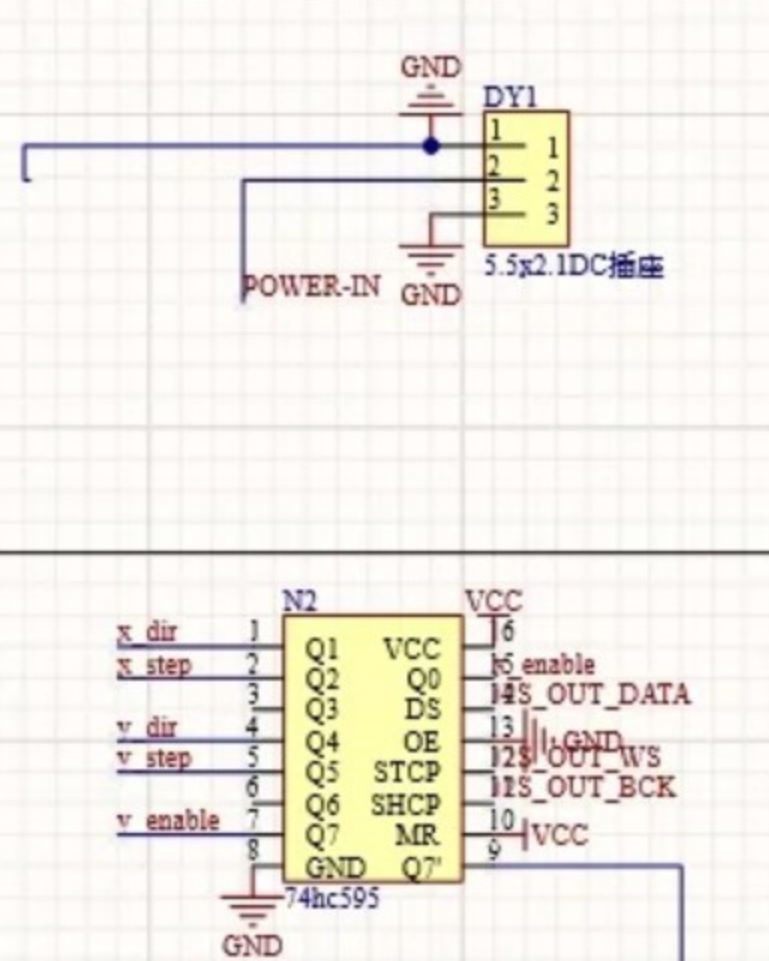
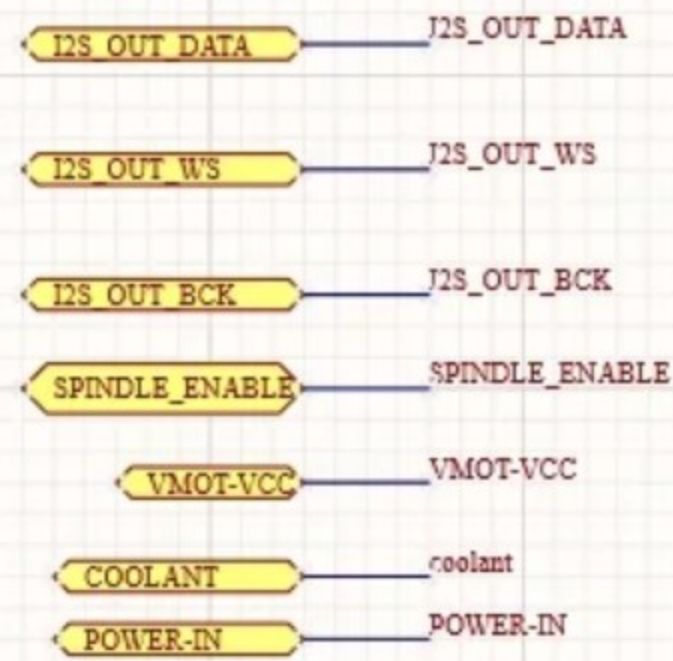


Title		
Size	Number	Revision
A4		
Date:	7/01/2024	Sheet of
File:	I:\电路图工程\esp32-grbl-6axis.SchDoc	Drawn By:



Title		Revision	
Size	A4	Number	
Date:	7/01/2024	Sheet of	
File:	I:\电路图工程\module2.SchDoc	Drawn By:	



Title		
Size	Number	Revision
A4		
Date:	7/01/2024	Sheet of
File:	I:\电路工程\...\Module1.SchDoc	Drawn By:

