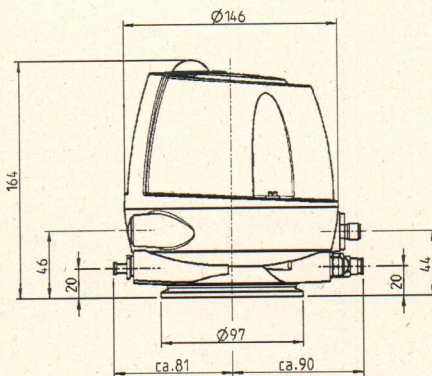
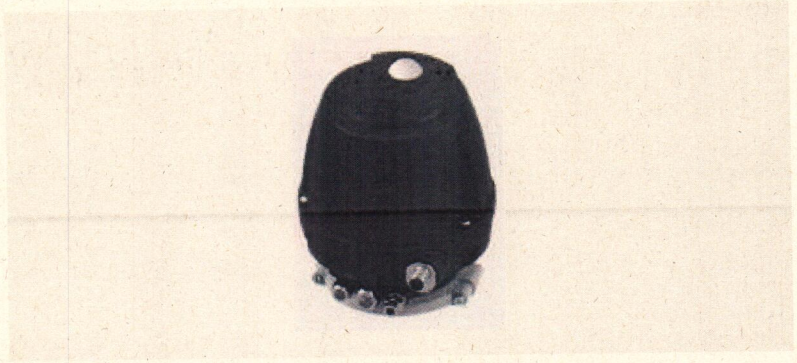


T.VIS® A-15 – 24 V DC / AS-i / DeviceNet / IO-Link



Technical data of the standard version

Position detection	Path measuring system		
Housing material	PA 12/L		
Ambient temperature	-20 to +55 °C		
Air supply	Pressure range	2 to 8 bar	
	Standard	acc. to ISO 8573-1:2010	
	Solid content	Quality class 6	
	Water content	Quality class 4	
	Oil content	Quality class 3	
Dimensions of air connections	Metric 6/4 mm, inch 6.35/4.31 mm (1/4")		
Protection class	IP66*		
Sound pressure level via exhaust air throttle	Max. 72 dB		
Visualization	LED (green, yellow, red)		

* Overview on page 51

Type of interface	24 V DC, 3-wire, PNP	AS-Interface bus	DeviceNet	IO-Link
Supply				
Operating voltage	24 V DC (+20% -12.5%)	26.5–31.0 V DC	21.5–26.0 V DC	24 VDC (±25%)
No-load current	≤ 25 mA	≤ 25 mA	≤ 35 mA	≤ 45 mA
Maximum current consumption	200 mA	90 mA	90 mA	135 mA
Polarity reversal protection	Yes	Yes	Yes	Yes
Specification		AS-i V3.0		V1.1 Port Class A / COM2
Additional information		IO.ID.ID2-Code: 7.A.E	221-002917DNET-TVIS_R1.eds	GEA-TVIS-A15-IO-LINK_8_2_38k Bd-20200217-IODD1.1
Conformity		AS-i Association	ODVA	PNO
Inputs				
Connection type	24 V DC (PNP)			
Short circuit-proof	Yes			
Overload-proof	Yes			
Maximum current carrying capacity per feedback output	100 mA			
Voltage drop on the outputs	≤ 1 V			
Feedback "start position"	Electronic output	Data bit DI 0* Data bit DI 3**	Data bit DI 0* Data bit DI 3**	Data bit DI 0* Data bit DI 3**
Feedback "end position"	Electronic output	Data bit DI 1	Data bit DI 1	Data bit DI 1
Feedback "double disc"		Data bit DI 2	Data bit DI 2	Data bit DI 2
Feedback "valve disc"		Data bit DI 0**	Data bit DI 0**	Data bit DI 0**
Outputs				
Activation voltage	High = > 13 V; low = < 6 V			
Current consumption per input	< 10 mA			
Activation "PV Y1"	Electronic input	Data bit DO 0	Data bit DO 0	Data bit DO 0
Activation "PV Y2"	Electronic input	Data bit DO 1	Data bit DO 1	Data bit DO 1
Activation "PV Y3"	Electronic input	Data bit DO 2	Data bit DO 2	Data bit DO 2

* Single-seat valves / Butterfly valves ** Double-seat valves

Position	Description of the order code	
14	Feedback location	
	TA15	Control top T.VIS® A-15
15	Control top type	
	N	Without solenoid valve
	P	1 solenoid valve Y1 ¹⁾
	I	2 solenoid valves Y1, Y2 (Y2 for lower seat lift)
	J	2 solenoid valves Y1, Y3 (Y3 for upper seat lift, air/air actuator or external process valve)
	L	3 solenoid valves Y1, Y2, Y3
	V	1 solenoid valve Y1, logic NOT-element
	X	2 solenoid valves Y1, Y2, logic NOT-element
Y	3 solenoid valves Y1, Y2, Y3, logic NOT-element	
16	Feedback	
	8	2 digital feedbacks
	9	2 digital feedbacks with external proximity switch
17	Type of interface	
	A	AS-Interface bus
	B	24 V DC, 3-wire, PNP
	D	DeviceNet
	I	IO-Link
18	Solenoid valve	
	A	24 V DC, 0.85 W
	0	Without
19	Screw connection²⁾	
	J	Metric air connection, 5-pin M12 plug (M20×1.5) for 24 V DC (1 PV, 2 feedbacks), IO-Link, AS-Interface, DeviceNet
	H	Metric air connection, 8-pin M12 plug (M20×1.5) for 24 V DC (> 1 solenoid valve, > 2 feedbacks)
	M	Metric air connection, M20×1.5 cable gland with integrated terminal strip for 24 V DC
	P	Inch air connection, 5-pin M12 plug (M20×1.5) for 24 V DC (1 PV, 2 feedbacks), IO-Link, AS-Interface, DeviceNet
	I	Inch air connection, 8-pin M12 plug (M20×1.5) for 24 V DC (> 1 solenoid valve, > 2 feedbacks)
Z	Inch air connection, 0.5" NPT cable gland with integrated terminal strip for 24 V DC	
Options (multiple selection possible)		
/18	Supply air throttle: regulates the opening speed of the valve (not available with control top types V, X, or Y)	
/19	Exhaust air throttle: regulates the closing speed of the valve	
/22	24 V DC / AS-i / DeviceNet / IO-Link: 5-pin connection socket for screw connection J, P (article no. 508-963) 24 V DC: 8-pin connection socket for screw fitting H, I (article no. 508-061)	
/50	Metal plate engraved	
/51	Metal plate (US-Version)	
/52	Adhesive label	
/66	Protection class IP66 ³⁾	
/67	Protection class IP67 ³⁾	
/69k	Protection class IP69k ^{3), 4)}	
/81	AS-i connection box on cable 1 m with 5-pin M12 connection socket (article no. 508-027)	
/82	AS-i connection box on cable 2 m with 5-pin M12 connection socket (article no. 508-028)	
/UC	Certification UL / CSA, only for indoor use and only with interface type A, B, D, and I	
/CD	UL 121201: Non-igniting electrical equipment for use in potentially explosive areas of Class I, Division 2, Group A, B, C, D CSA C22.2 No. 213-17: Non-igniting electrical equipment for use in potentially explosive areas of Class I, Division 2, Group A, B, C, D	
Additional information for order code		
/A	Suitable for installation on Aseptomag® valves	

The code is composed as following, depending on the chosen configuration:

Position	14	15	16	17	18	19	Options
Code	TA15						/66

¹⁾ On Aseptomag® valves due to the external air guidance in "R" variant.

²⁾ J/H/M = for air hose Ø 6/4 mm; P/I/Z = for air hose Ø 6.35/4.31 mm

³⁾ Overview on page 51

⁴⁾ Not available in combination with option /22, /81 or /82. Cap without buttons.