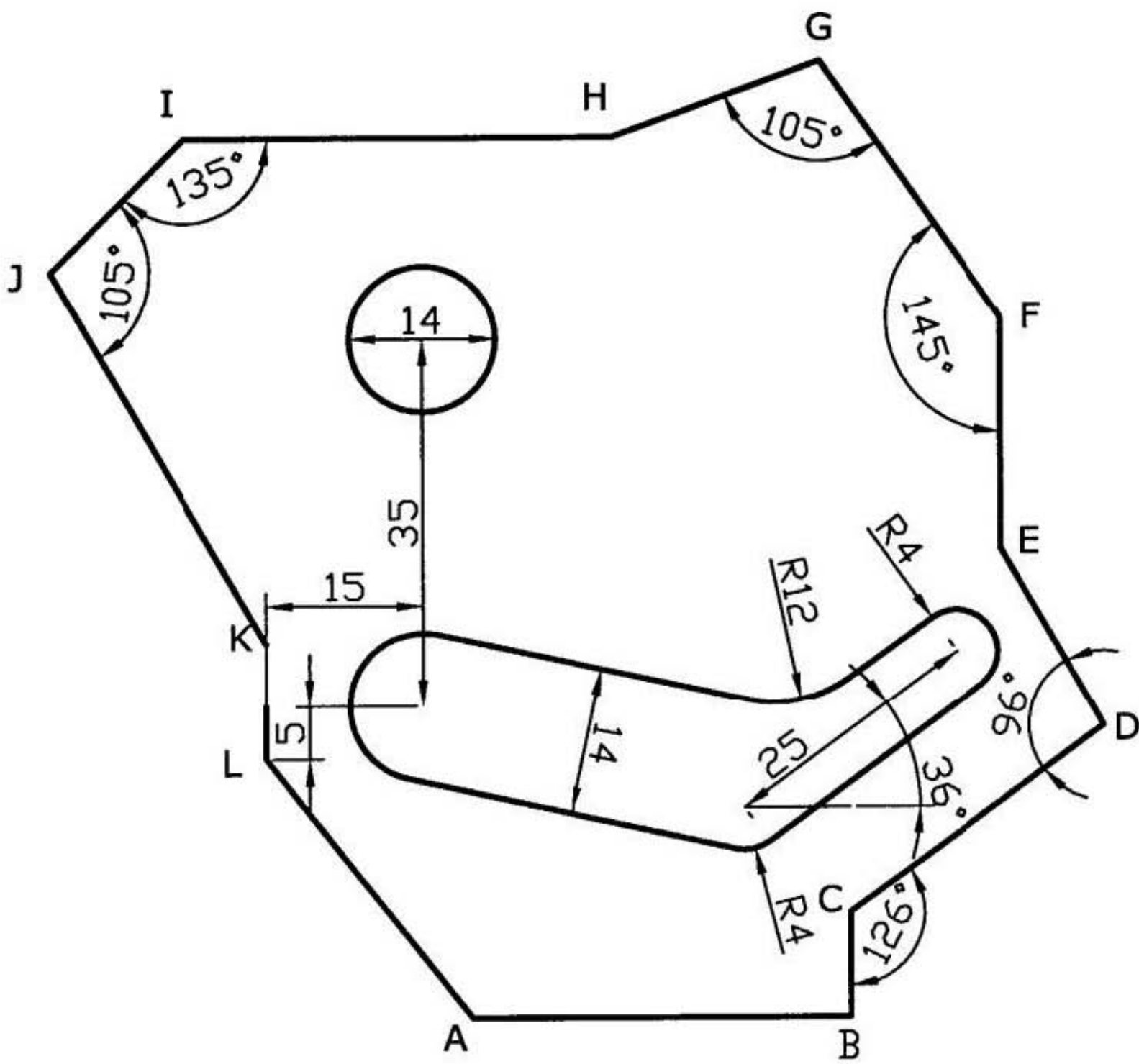
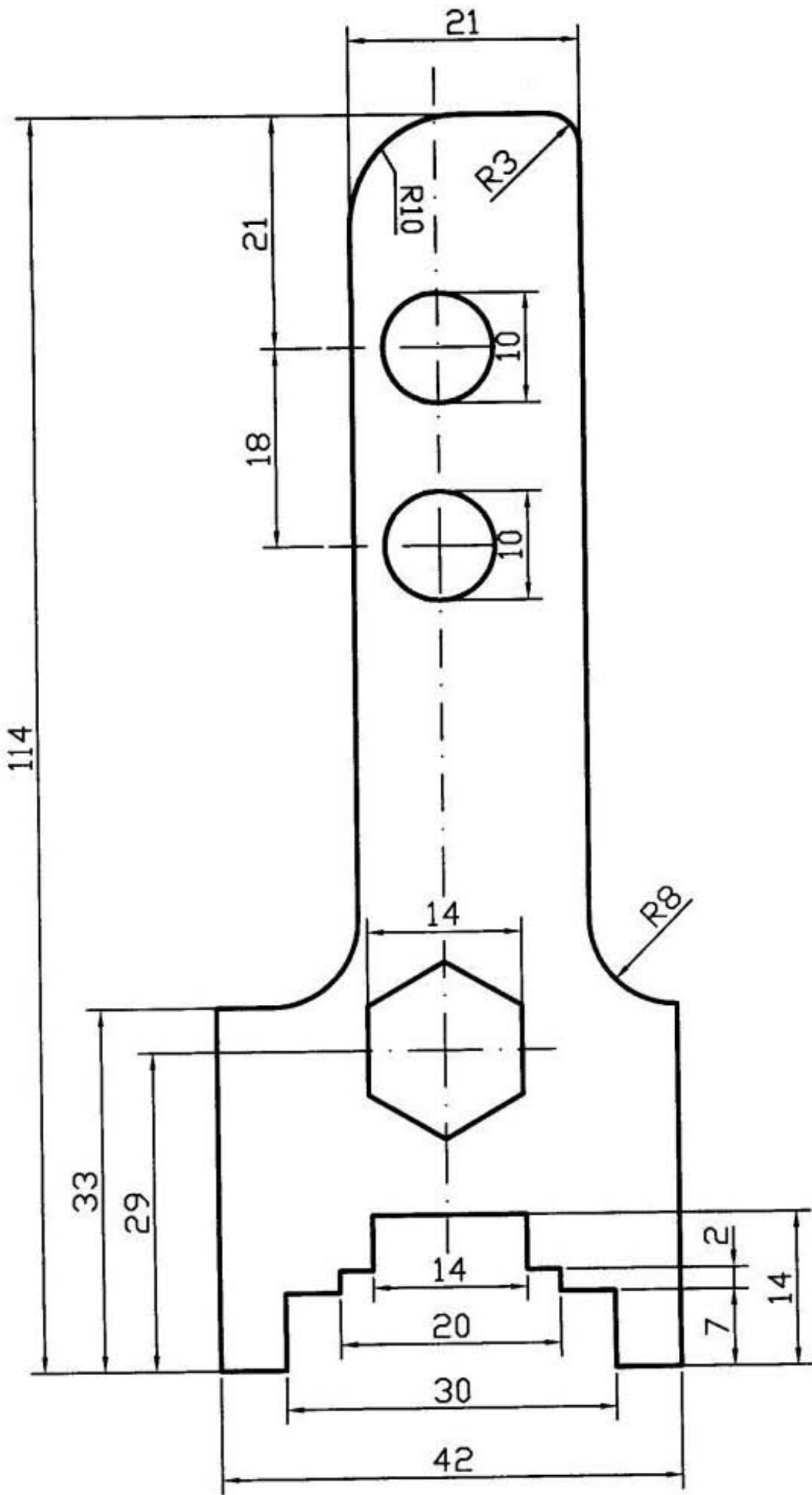
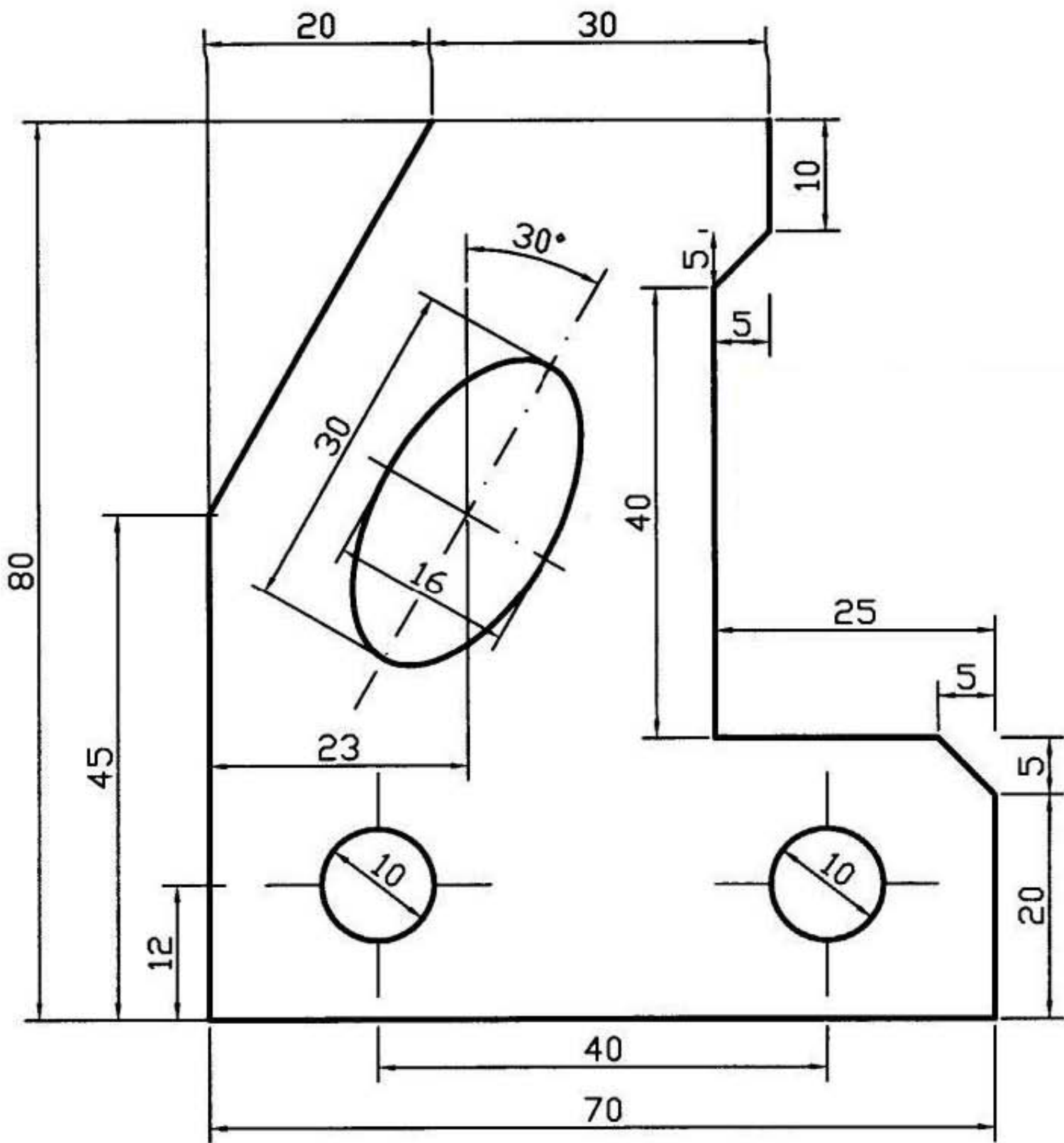


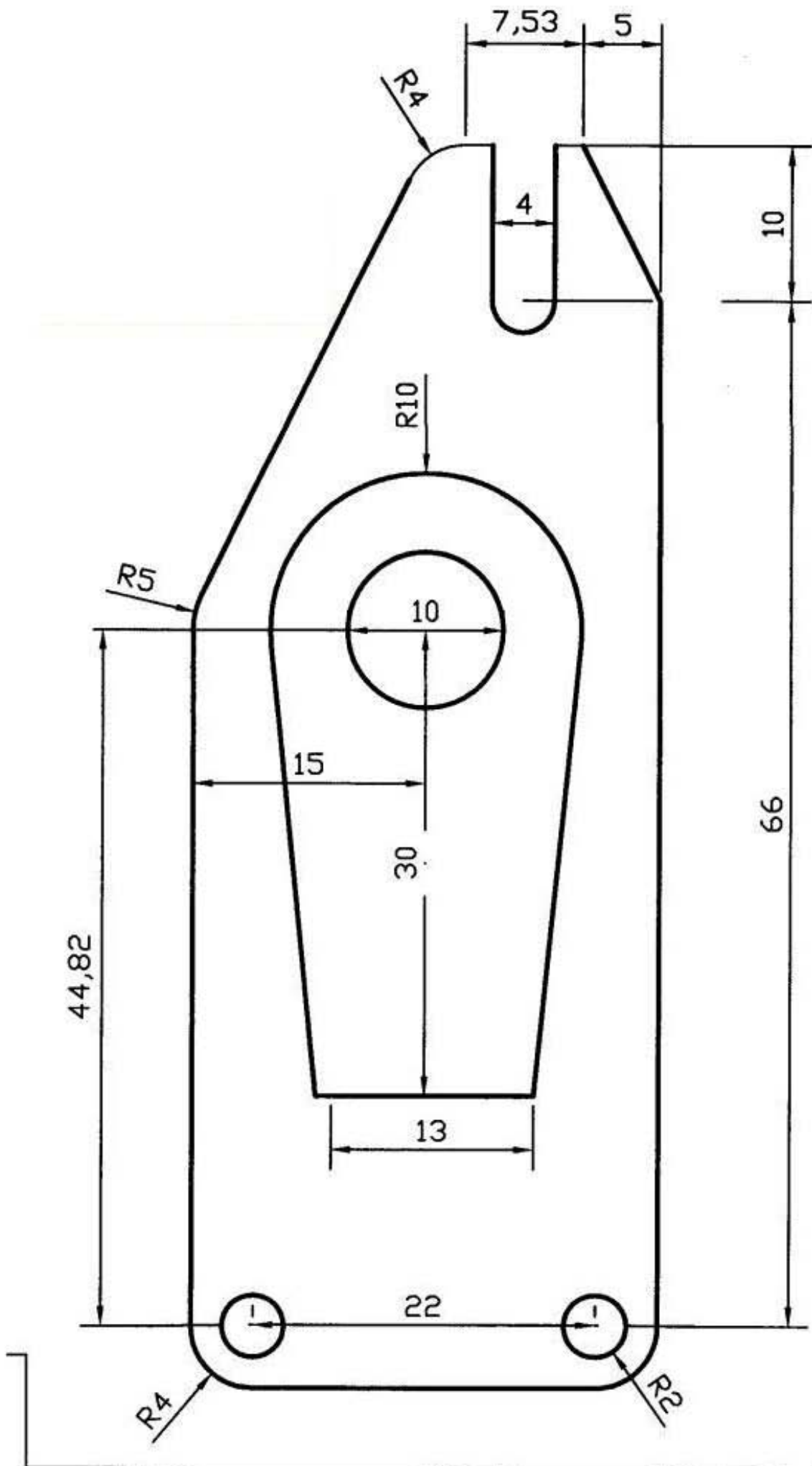
AB=47 FG=31
 BC=20 GH=24
 CD=17.5 HJ=43
 DE=29 JK=26.5
 EF=43

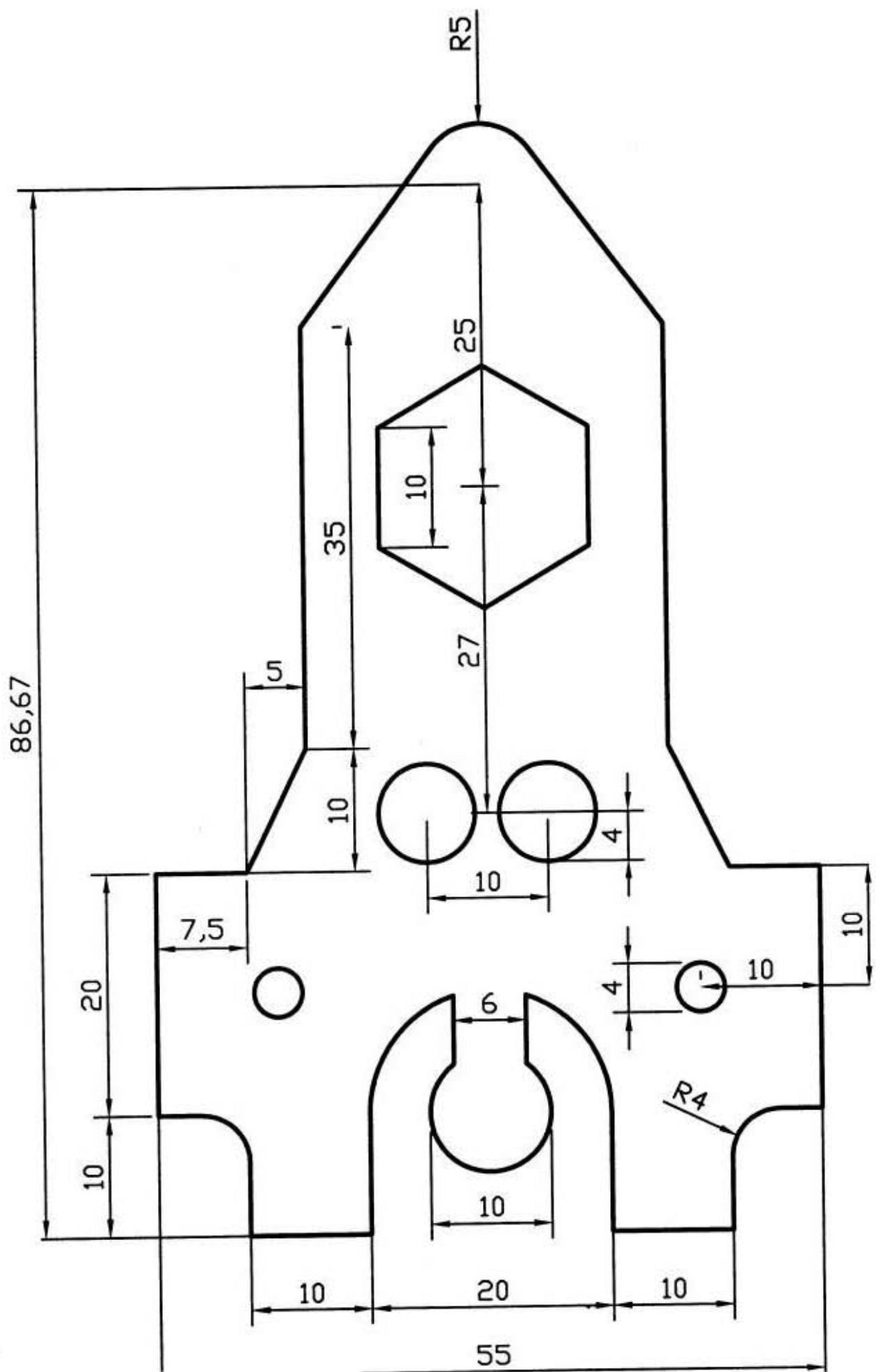


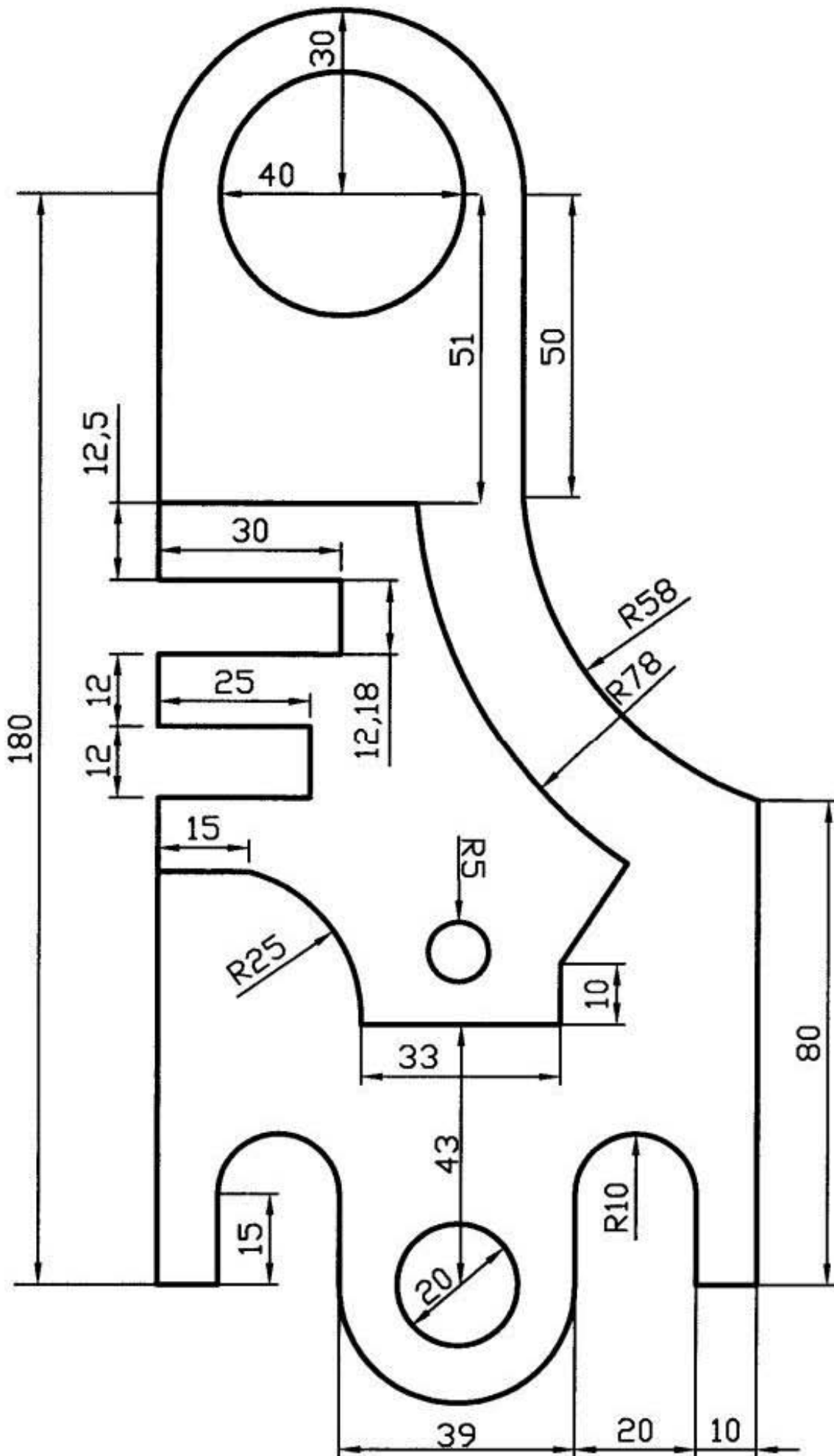
AB=36	FG=30
BC=10	GH=21
CD=30	HI=41
DE=19.5	IJ=18
EF=22	JK=41
	KL=11

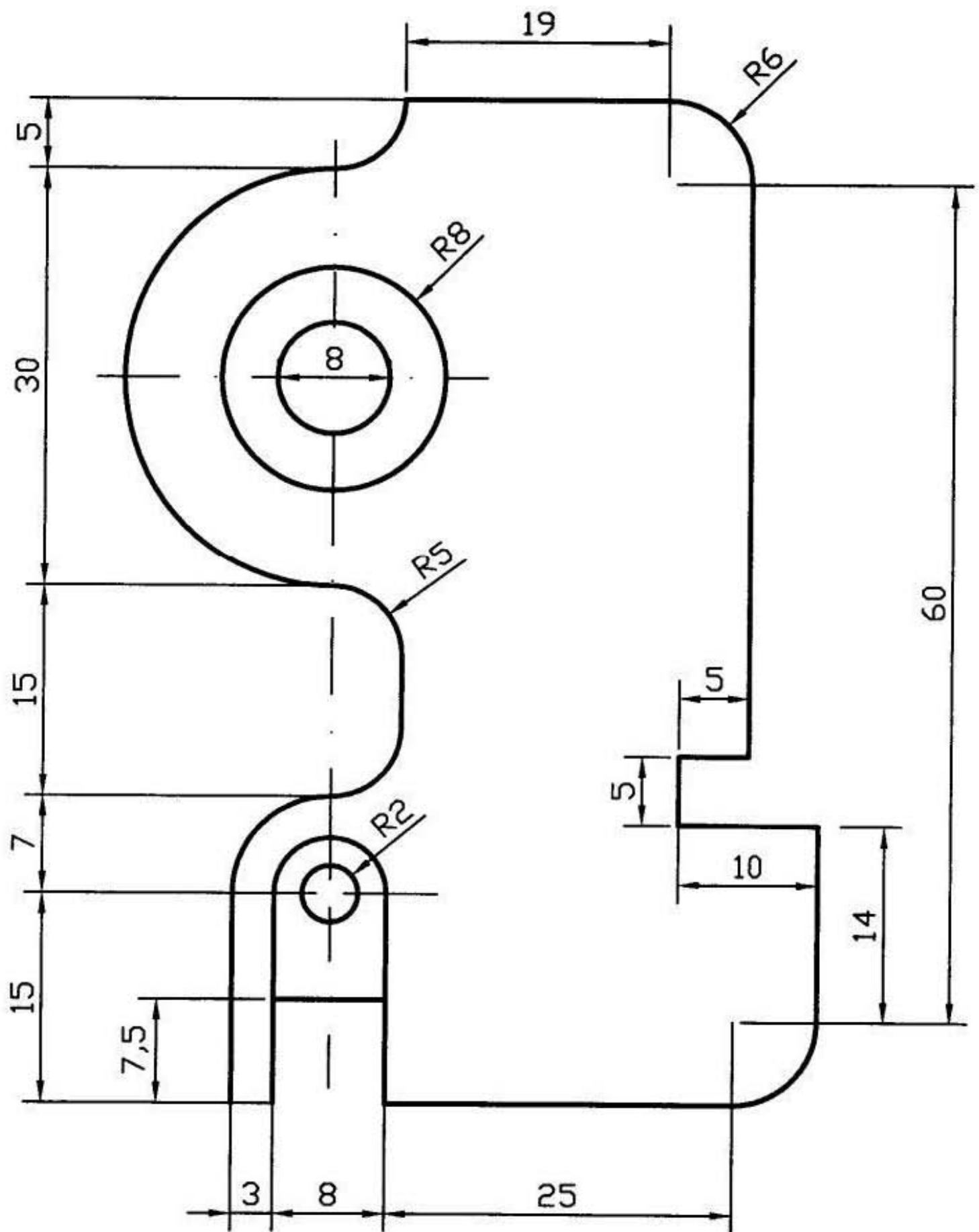


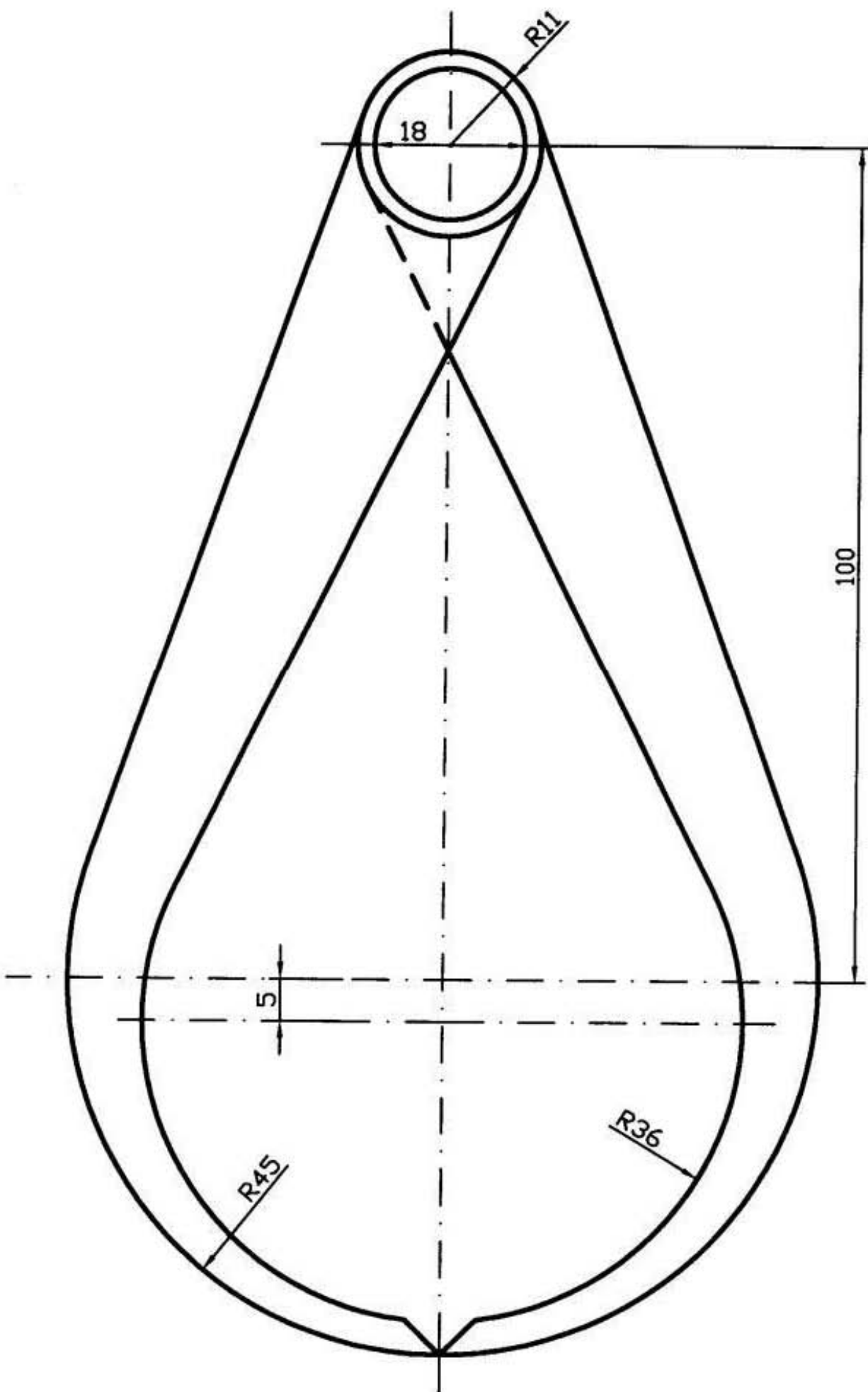


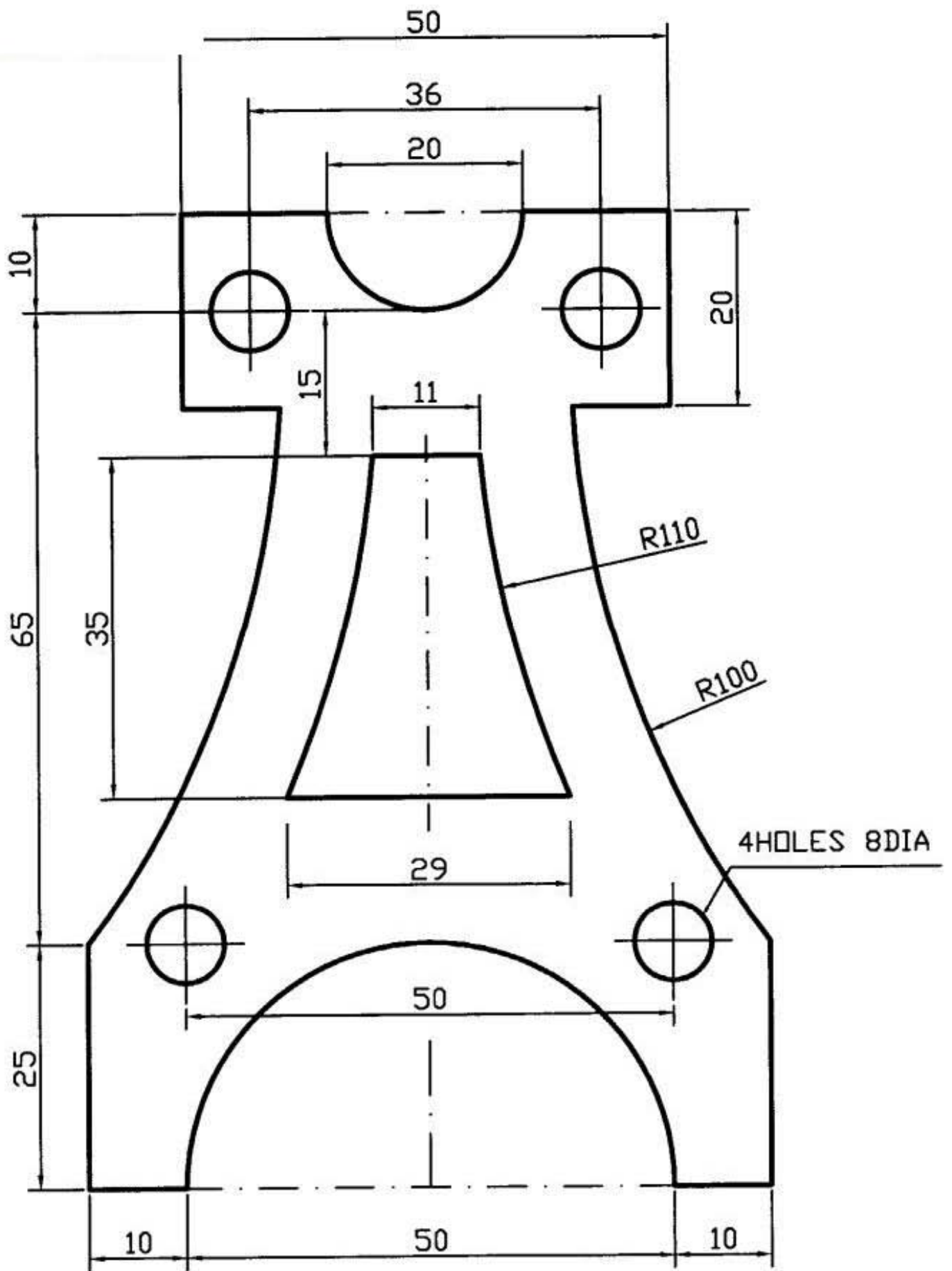


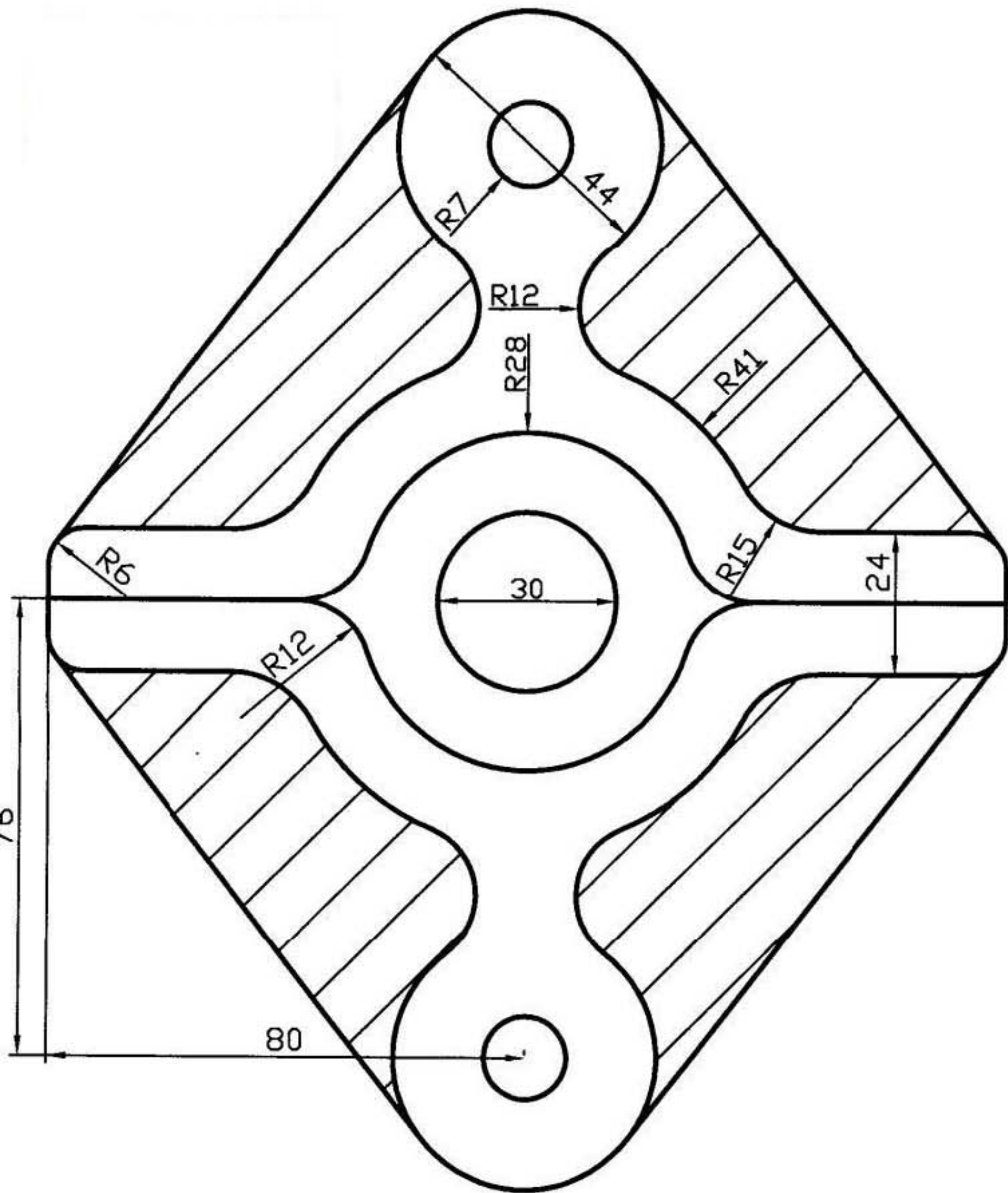




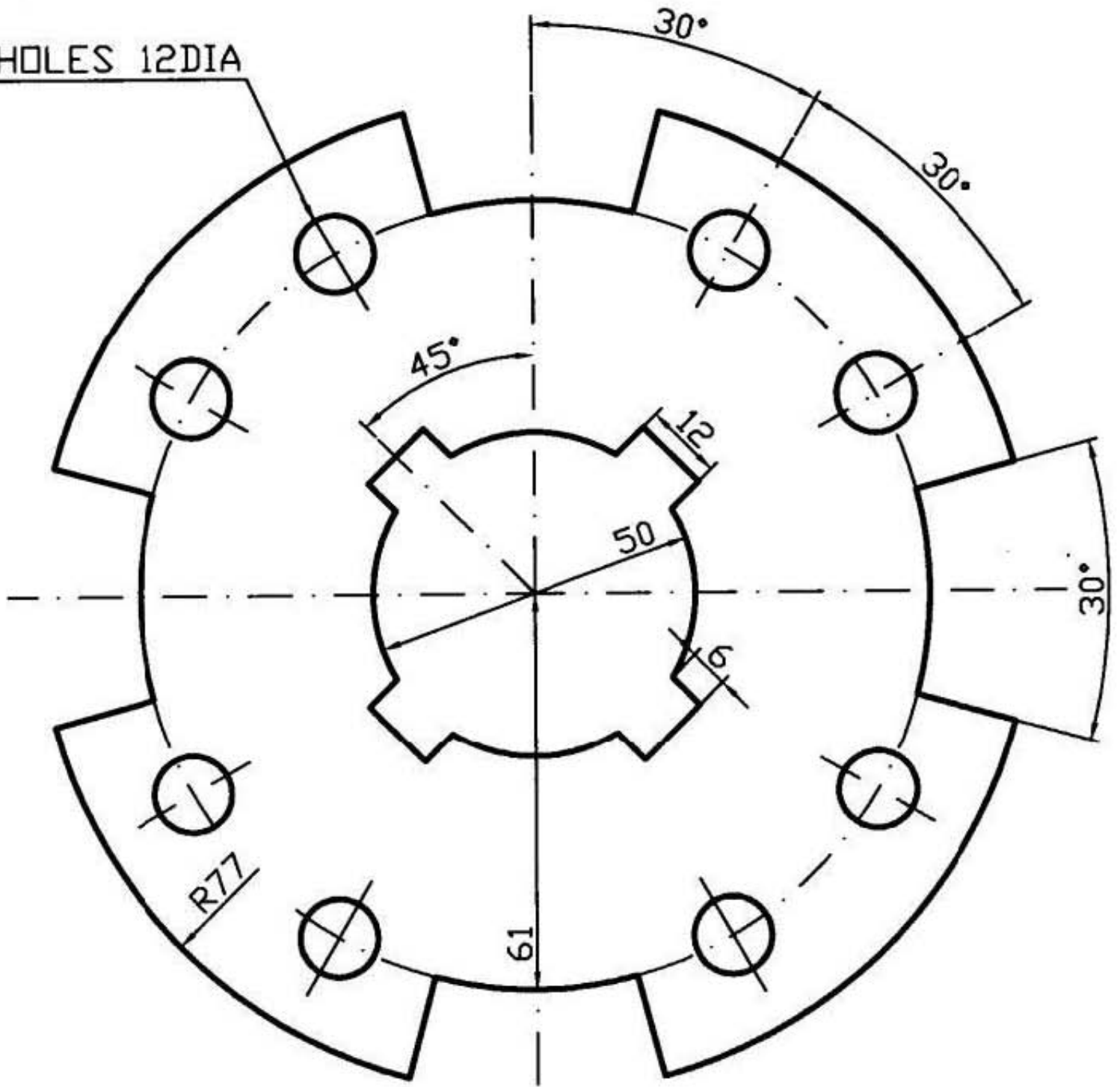


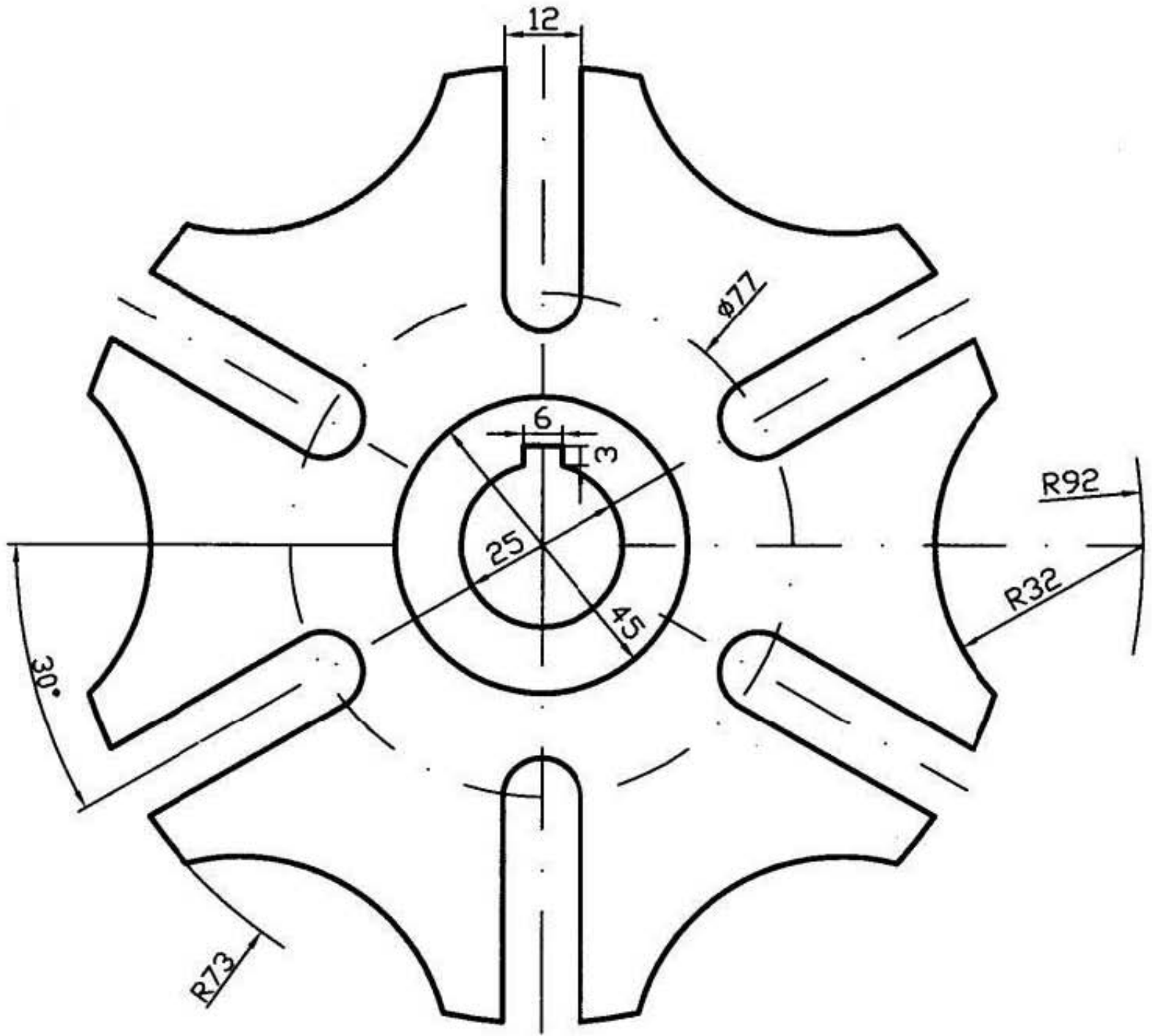


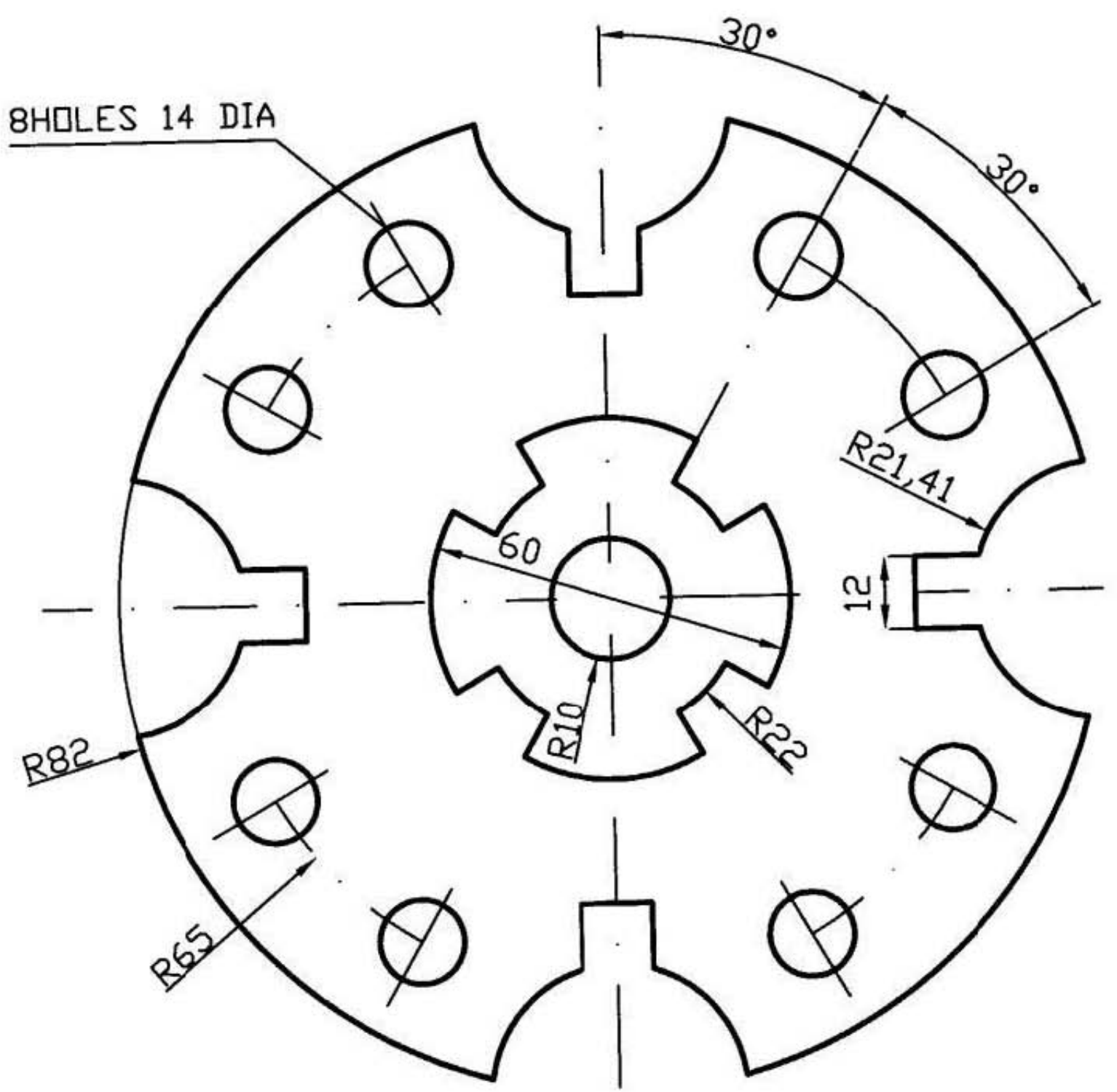


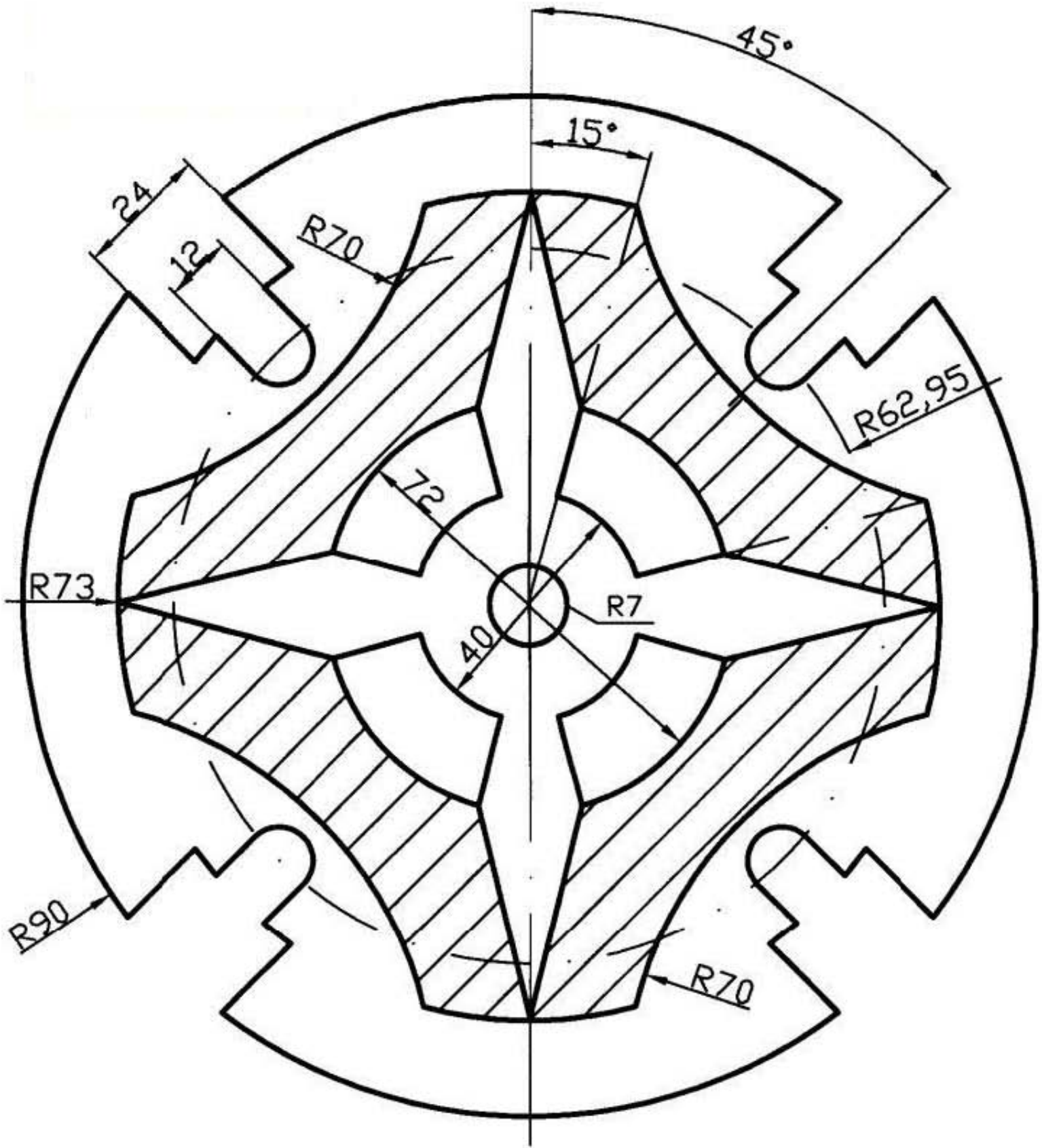


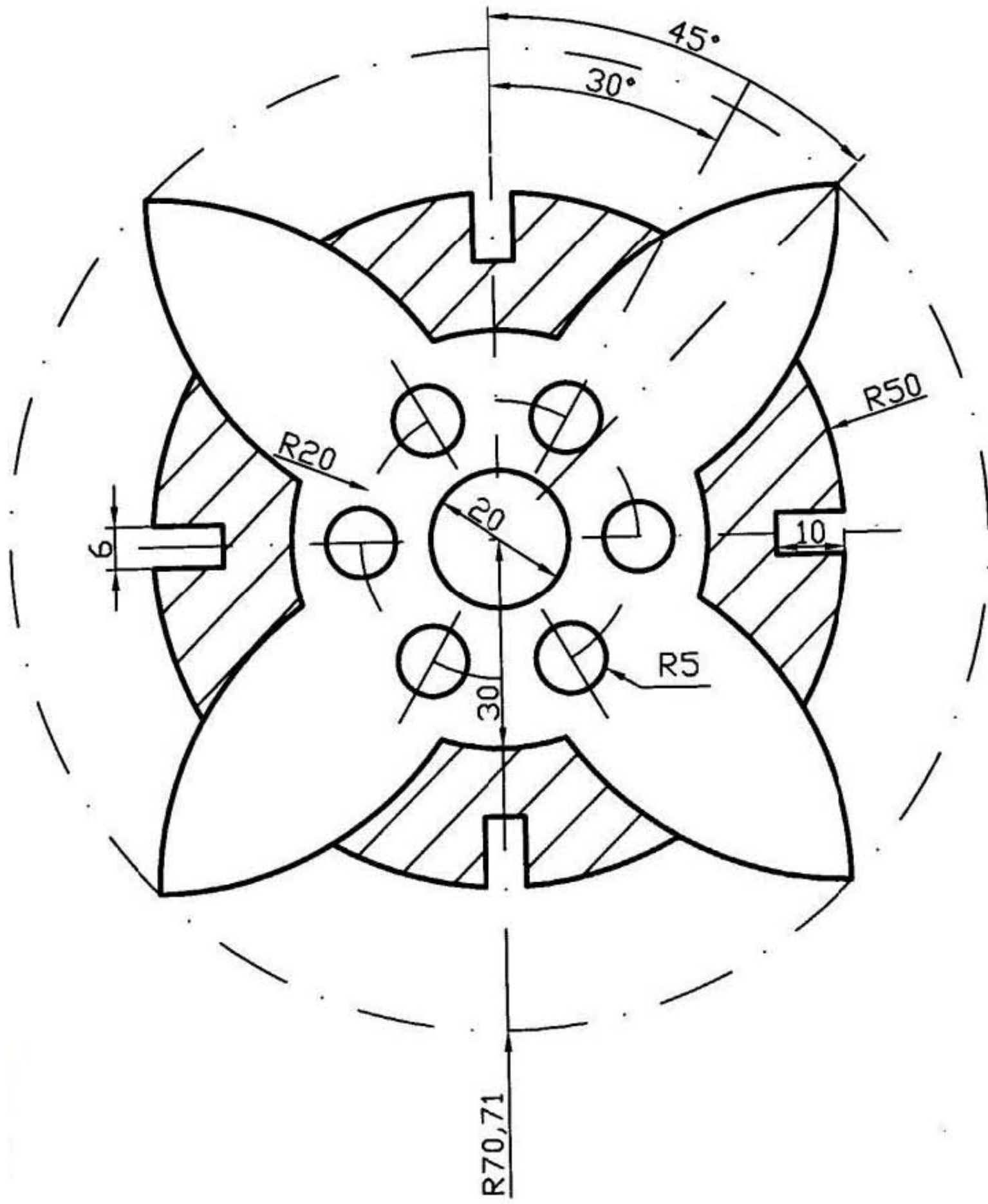
8HOLES 12DIA



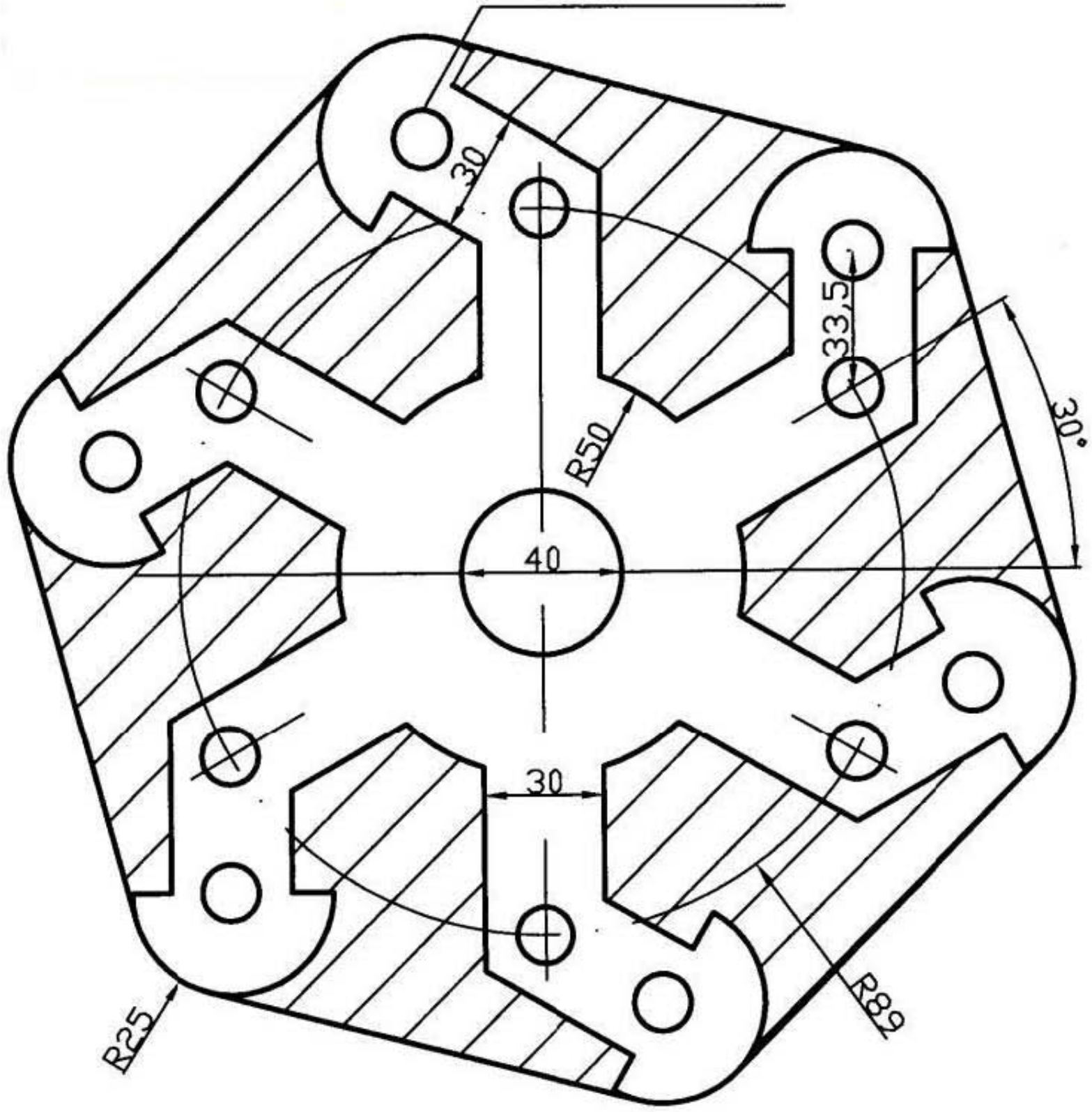


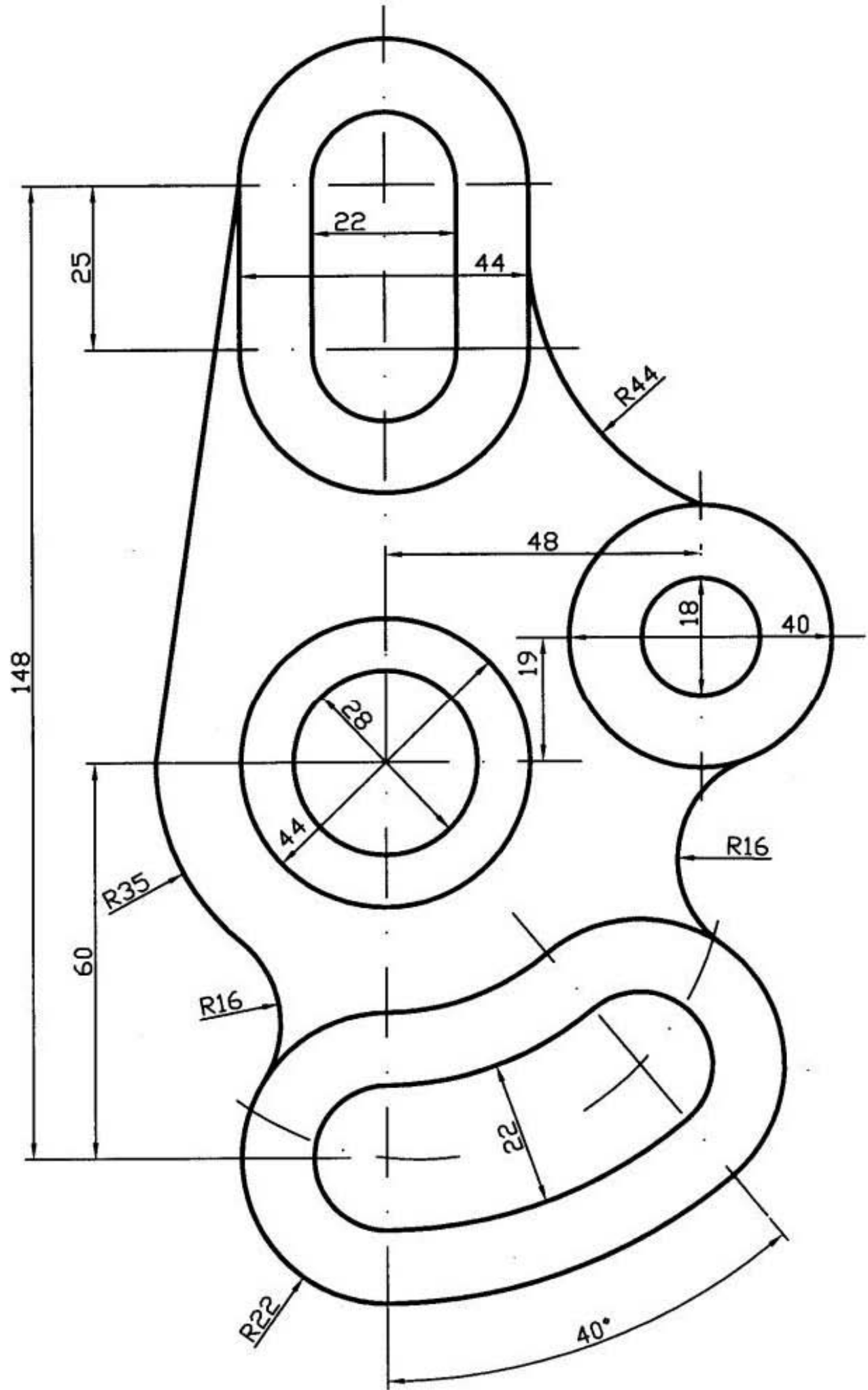


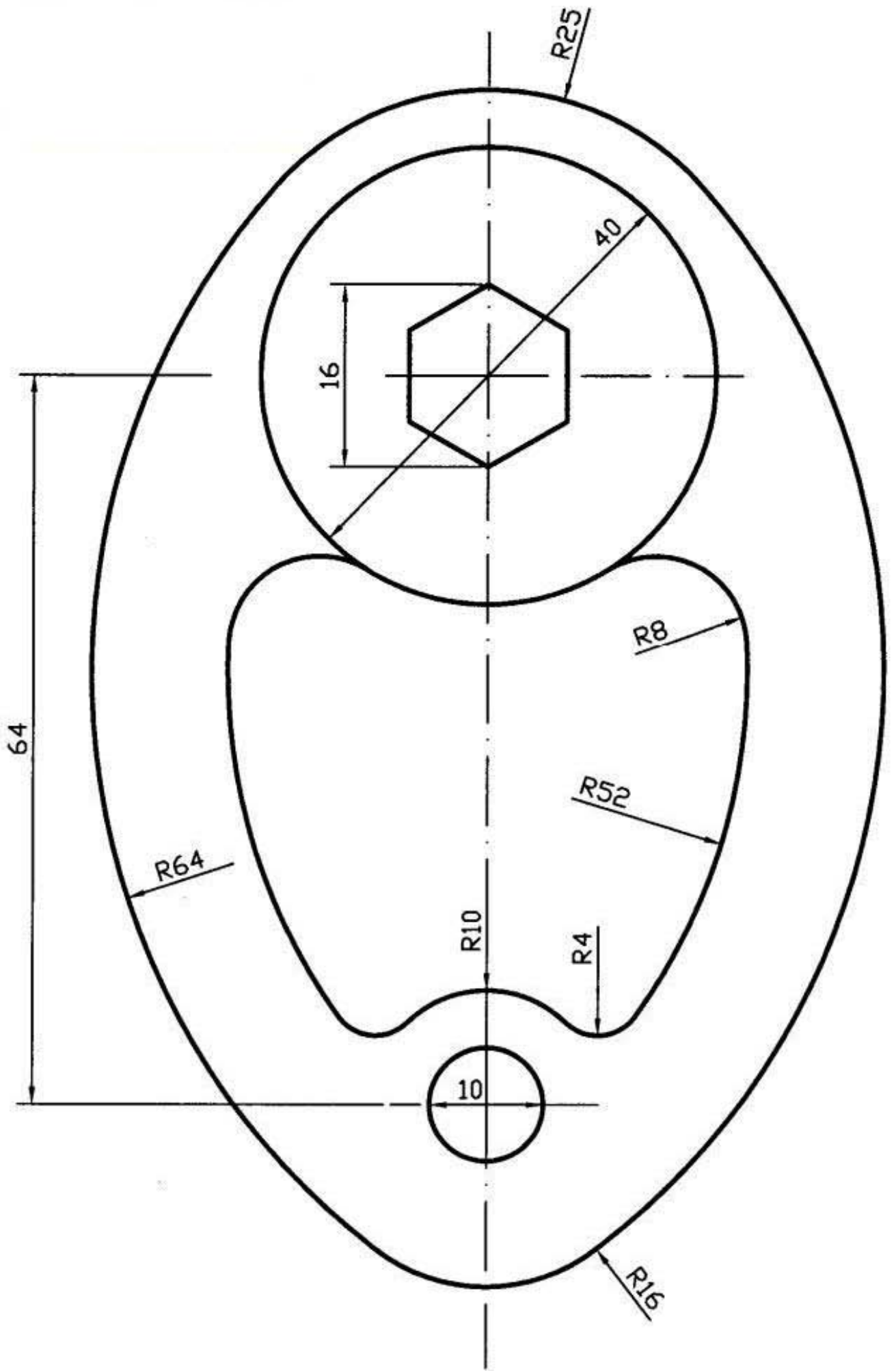


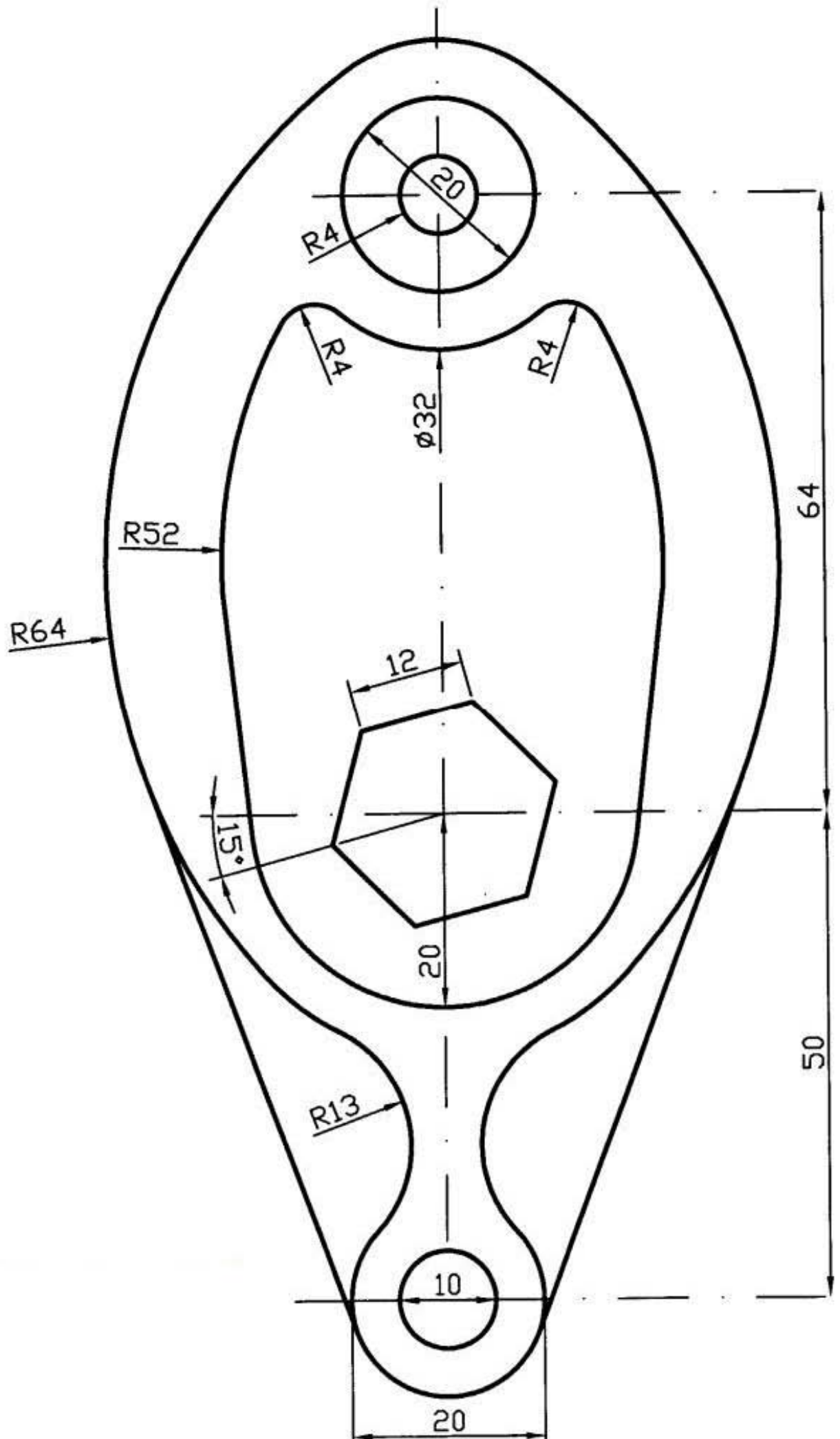


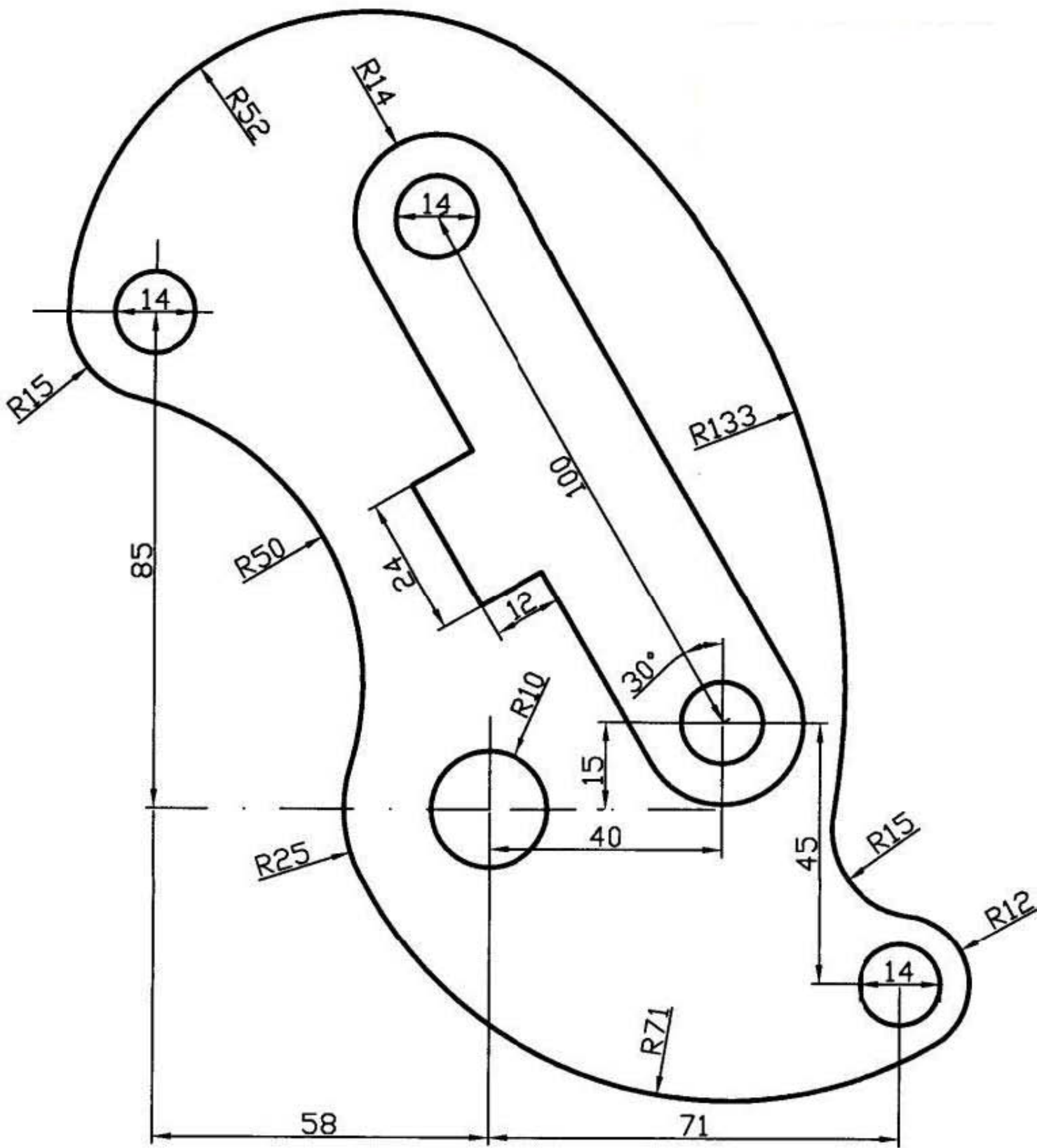
12HOLES 14 DIA

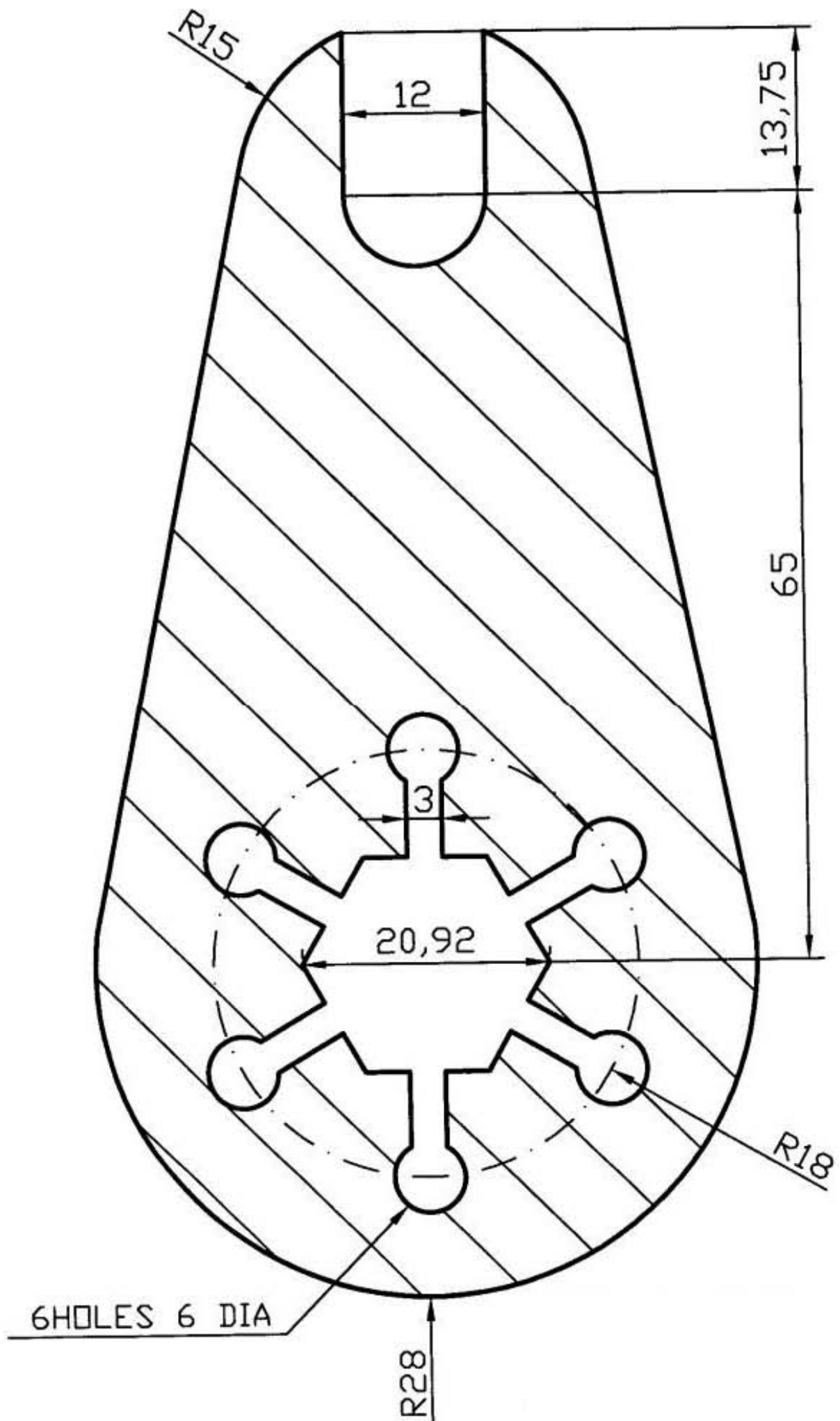


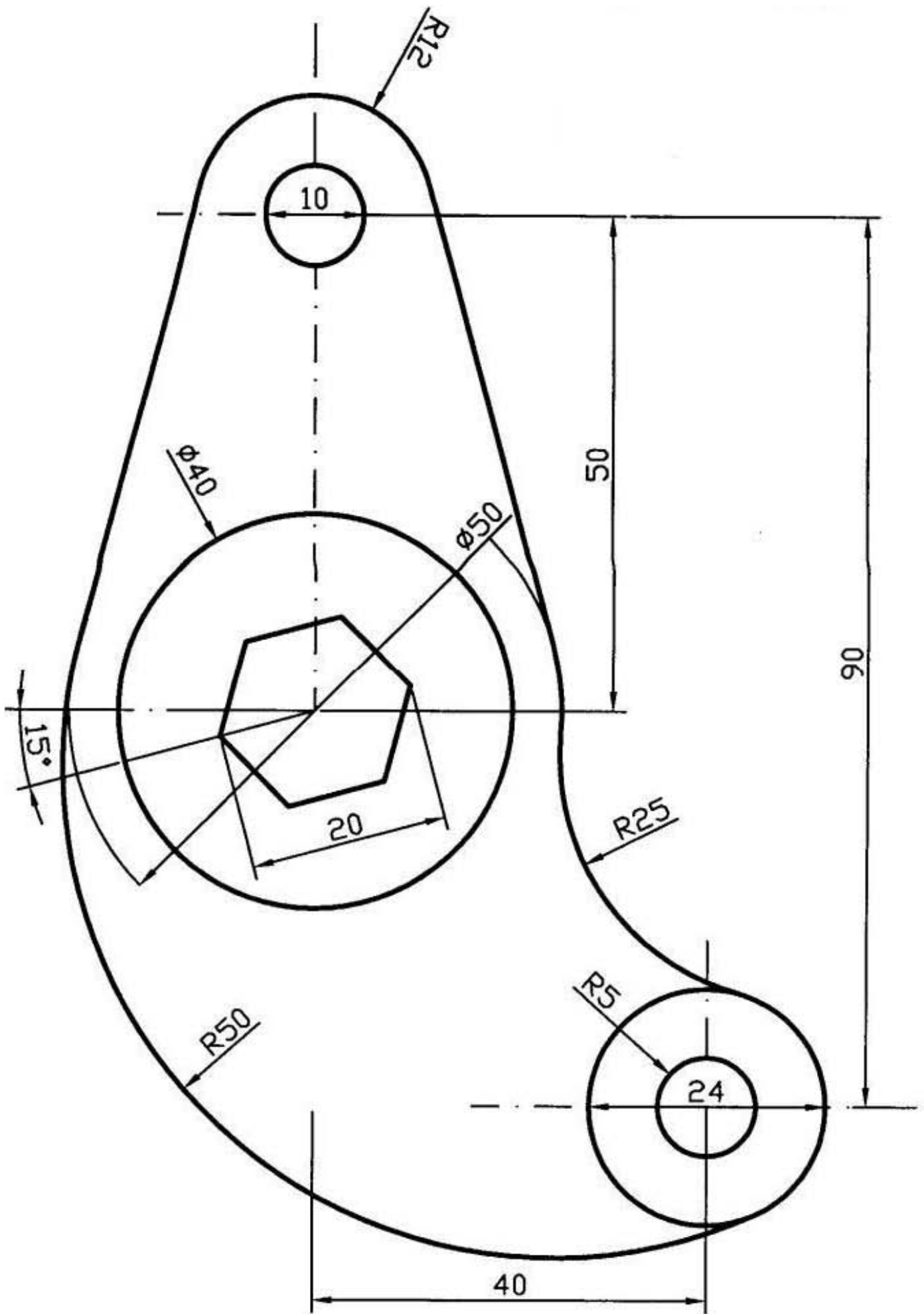


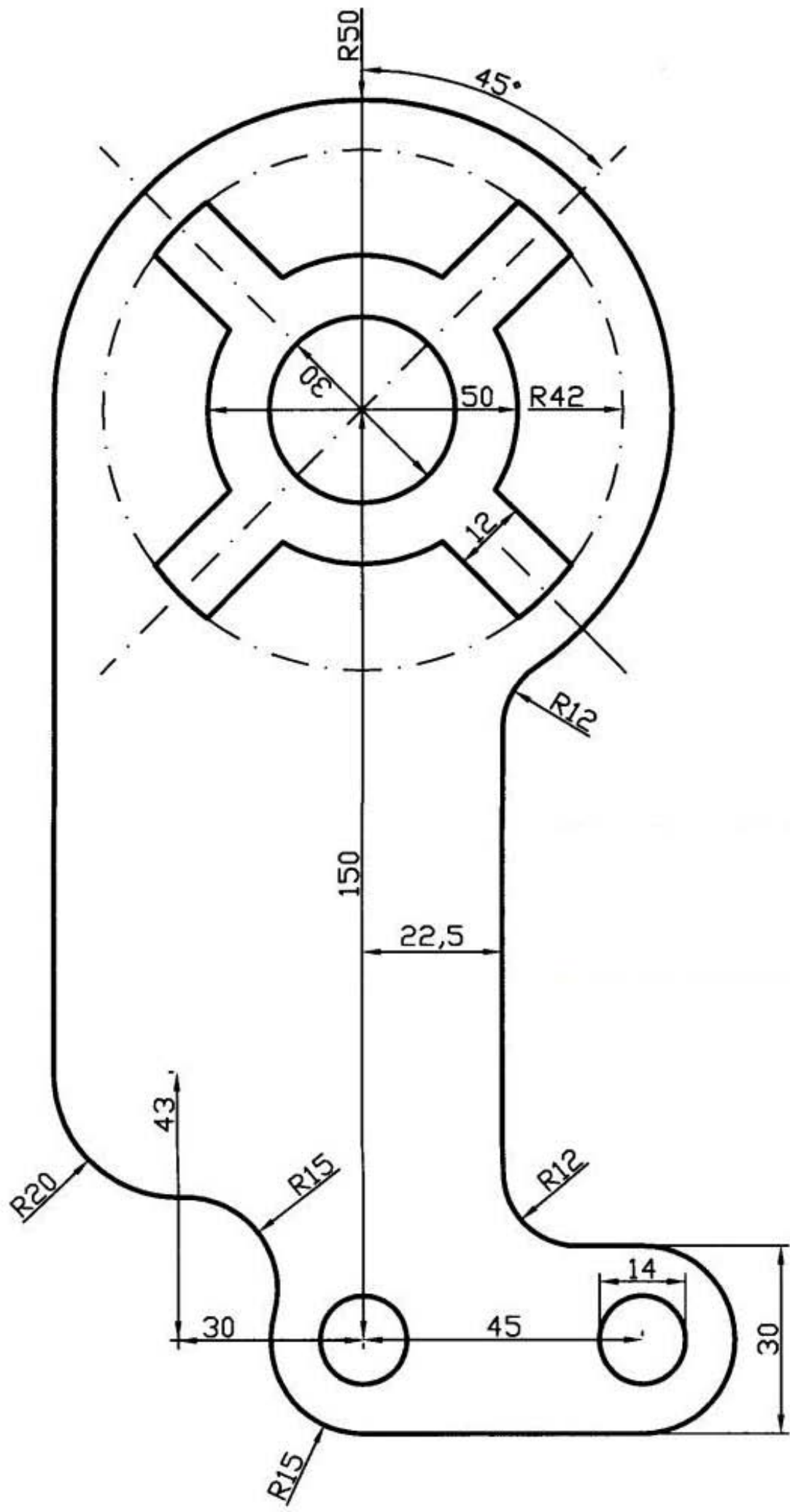


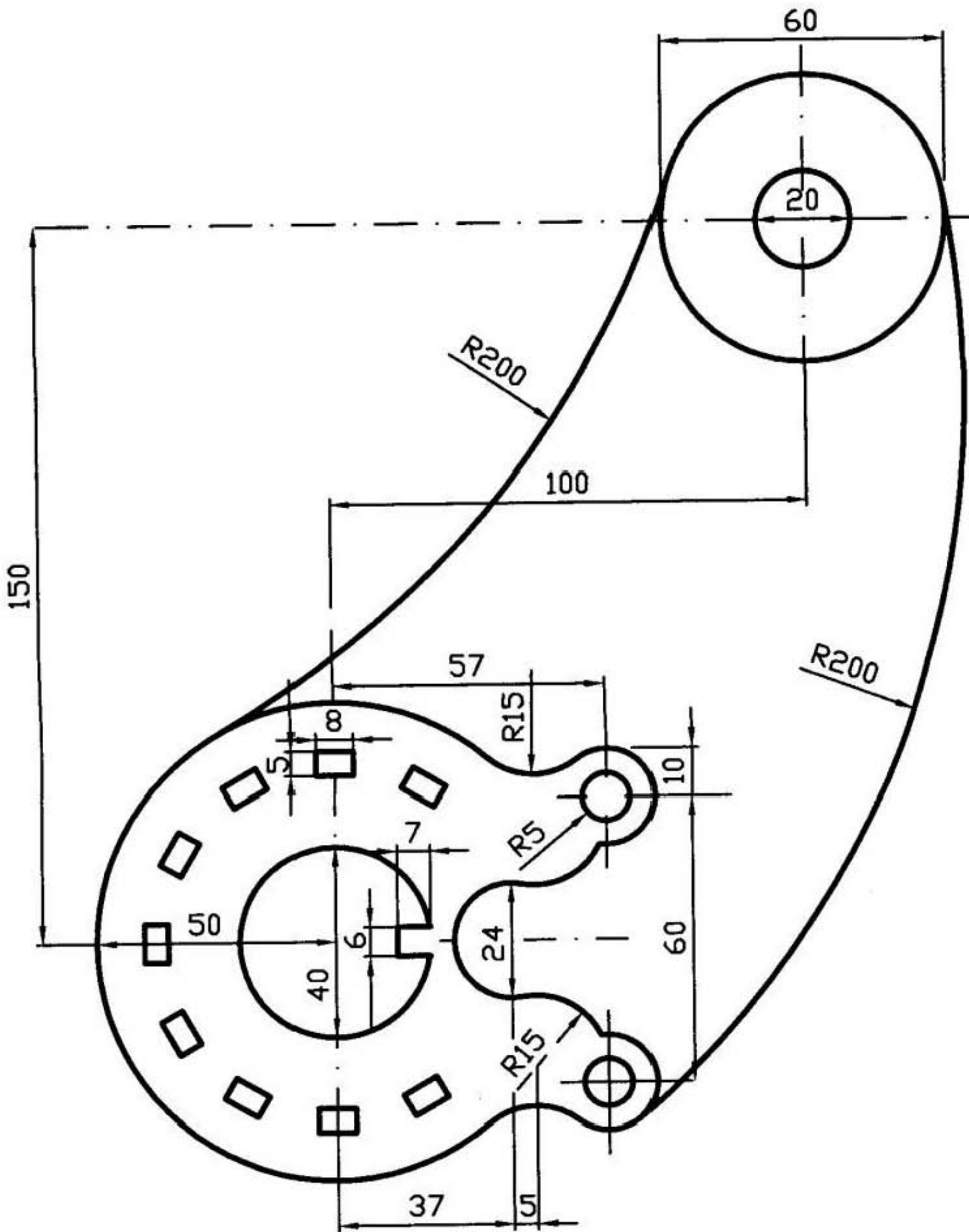


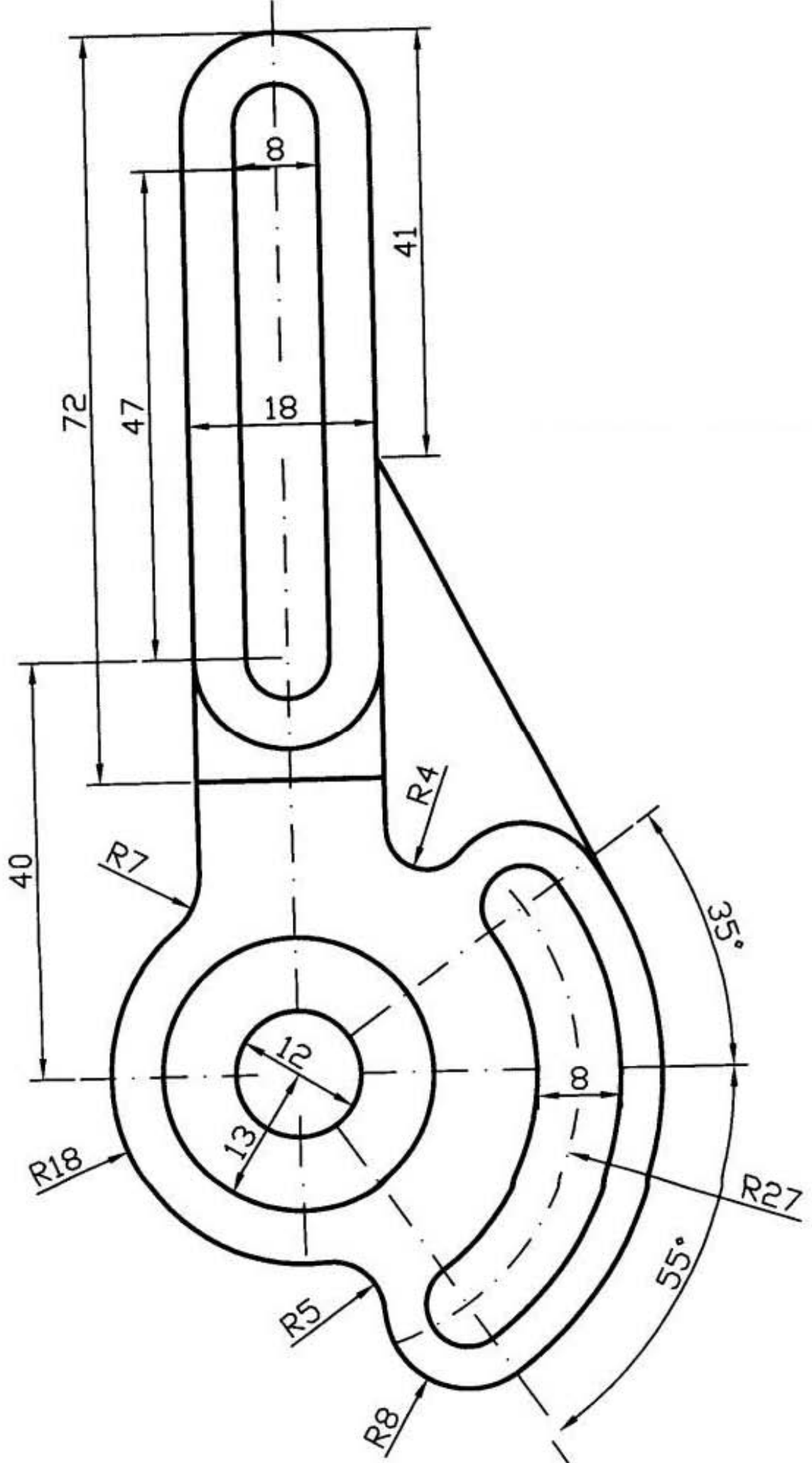


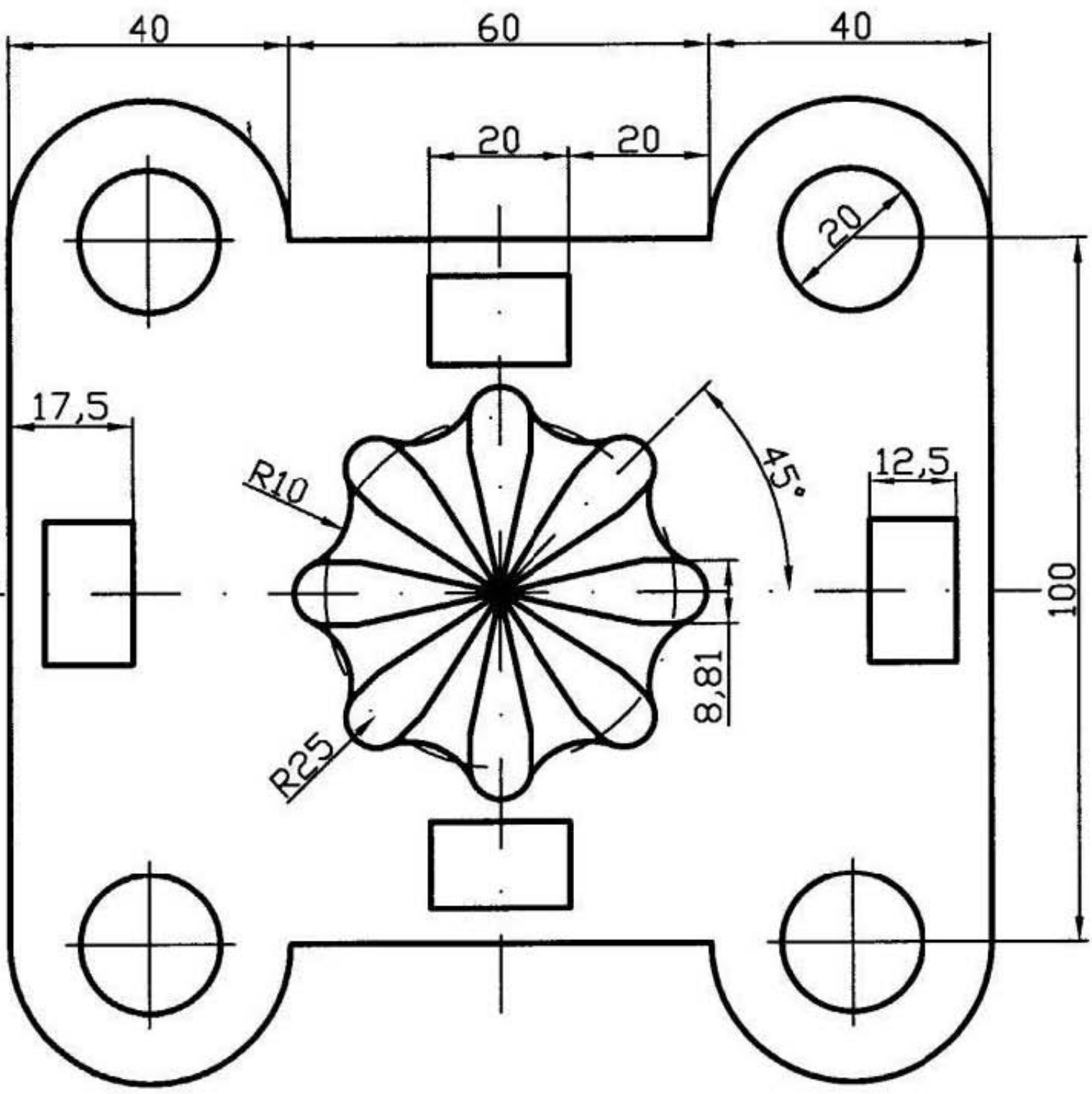


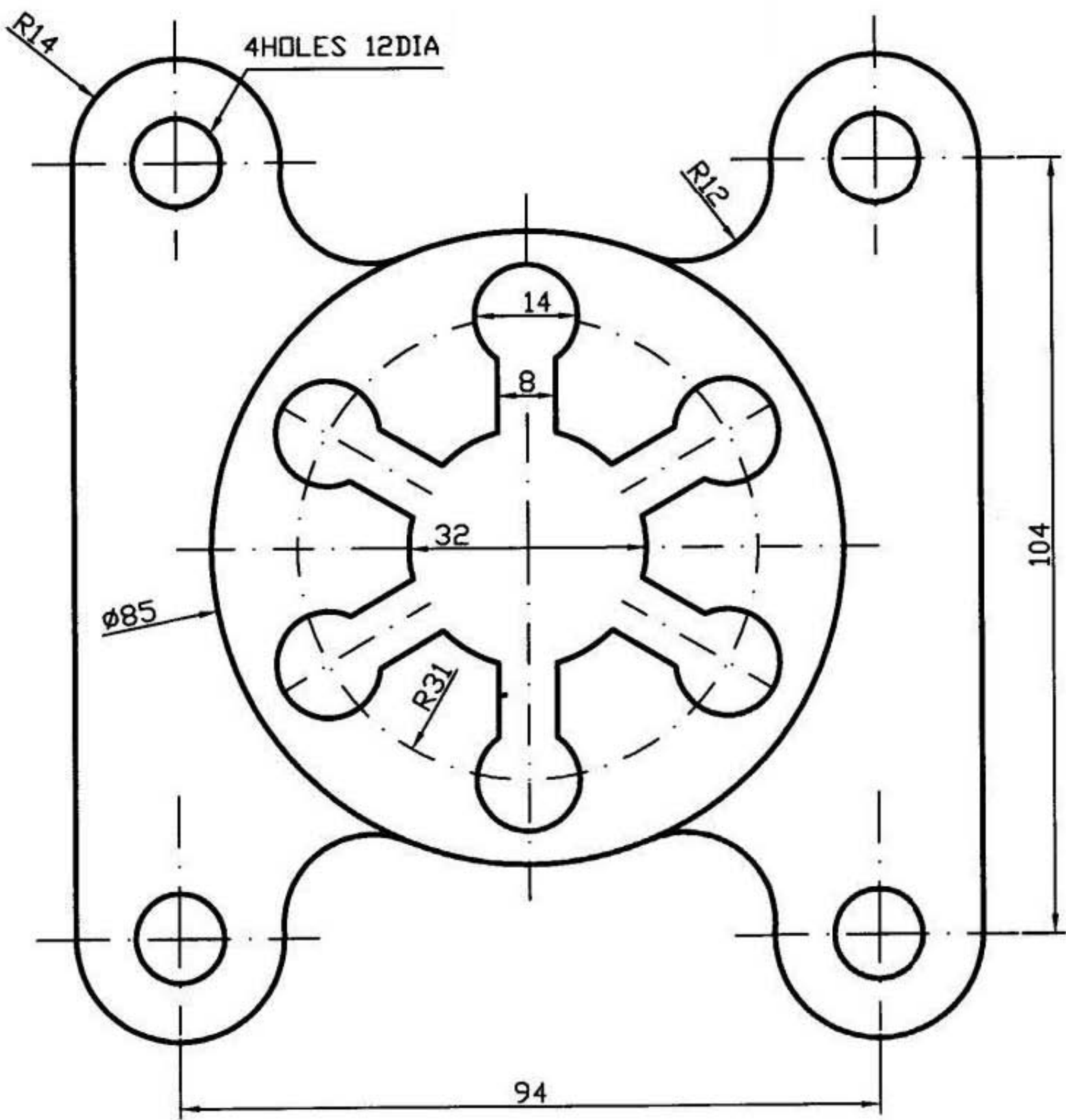


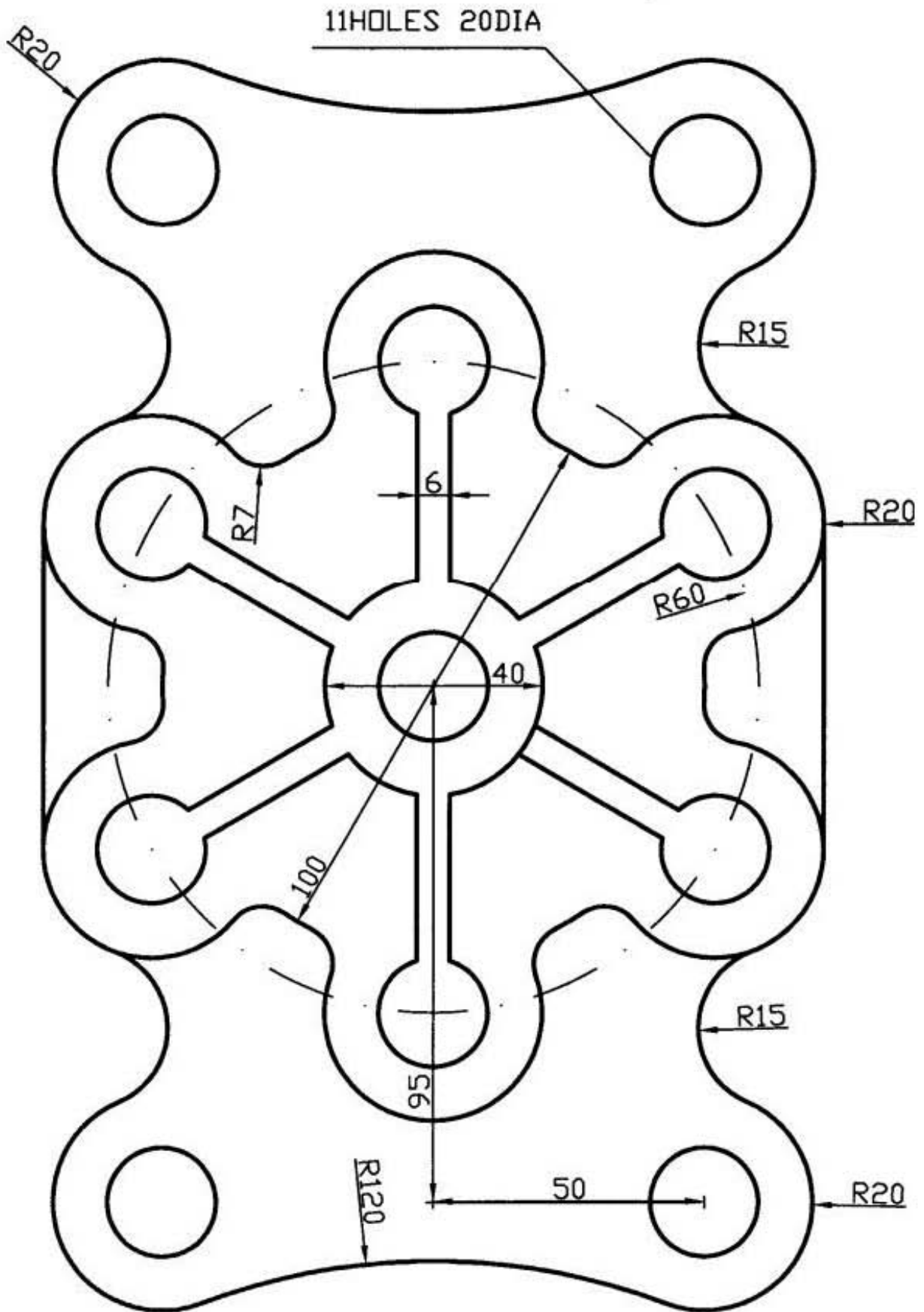


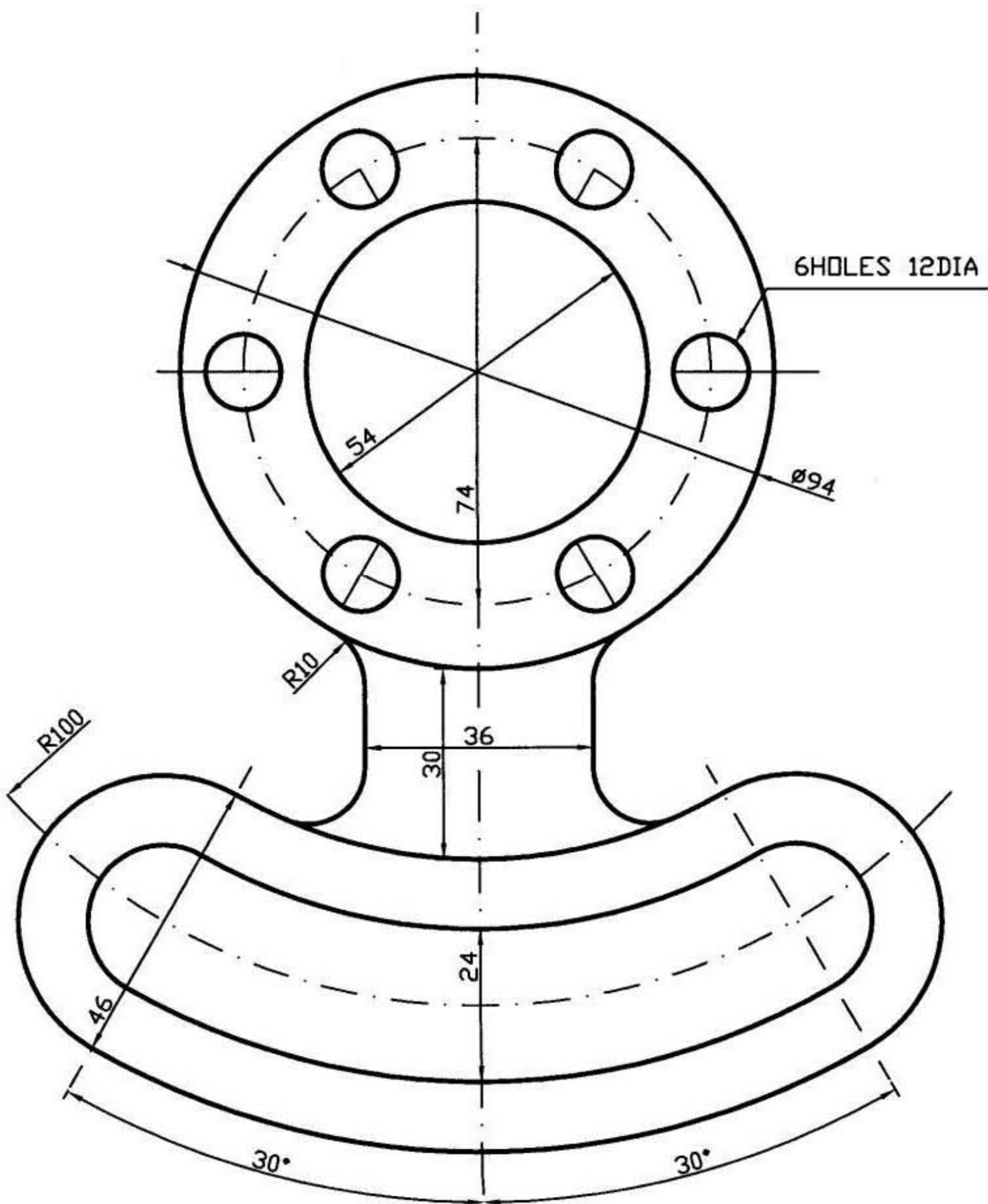


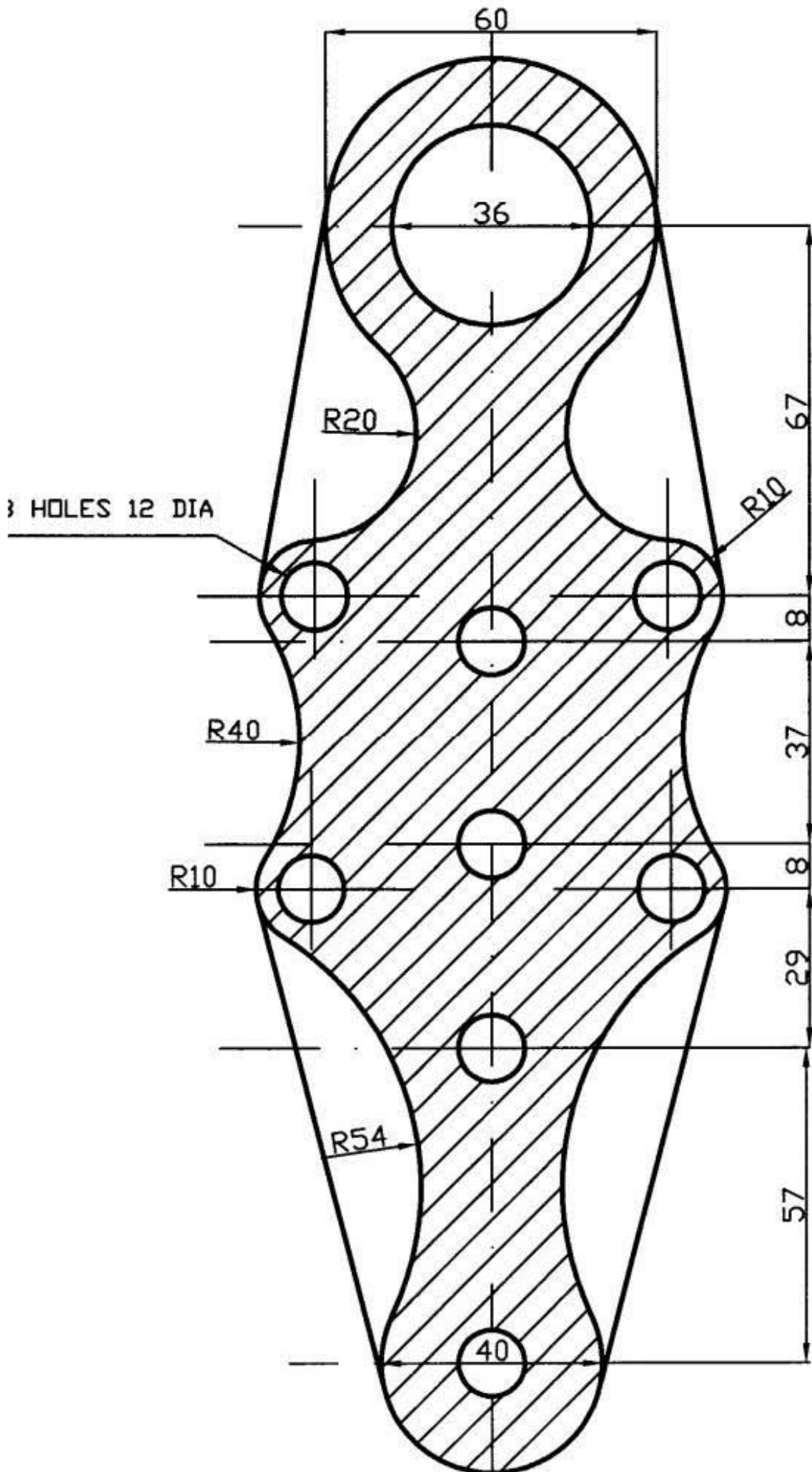


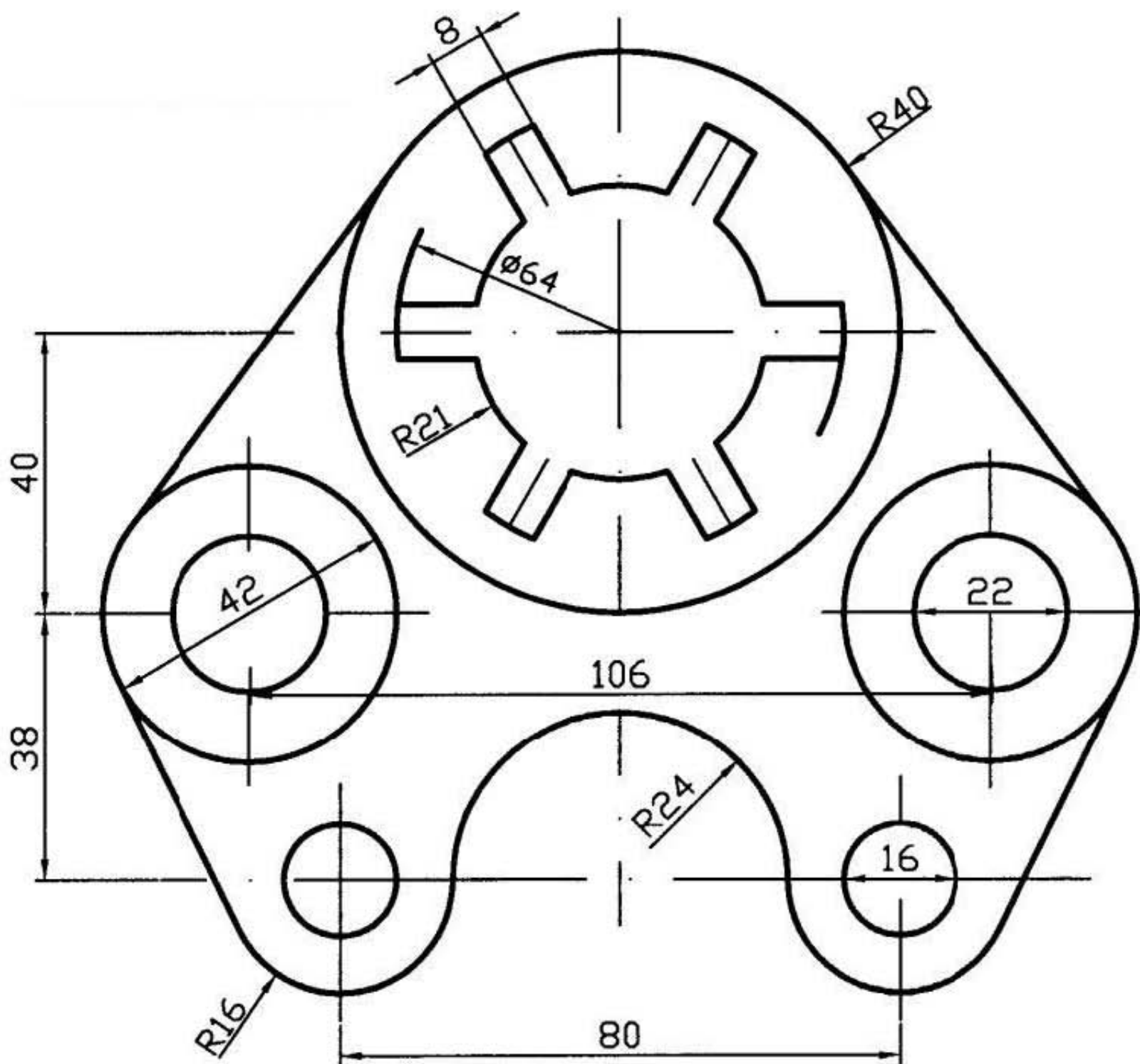


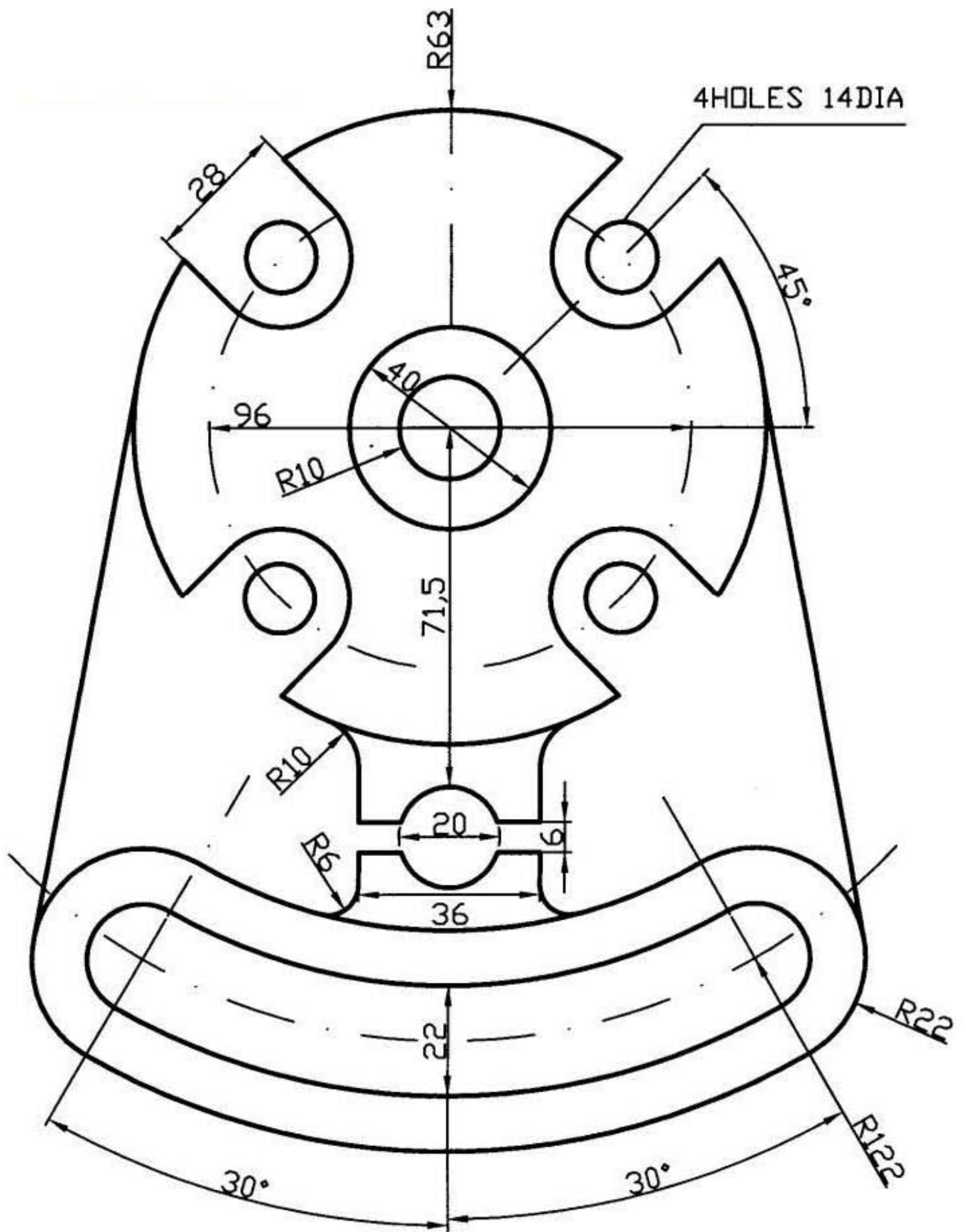


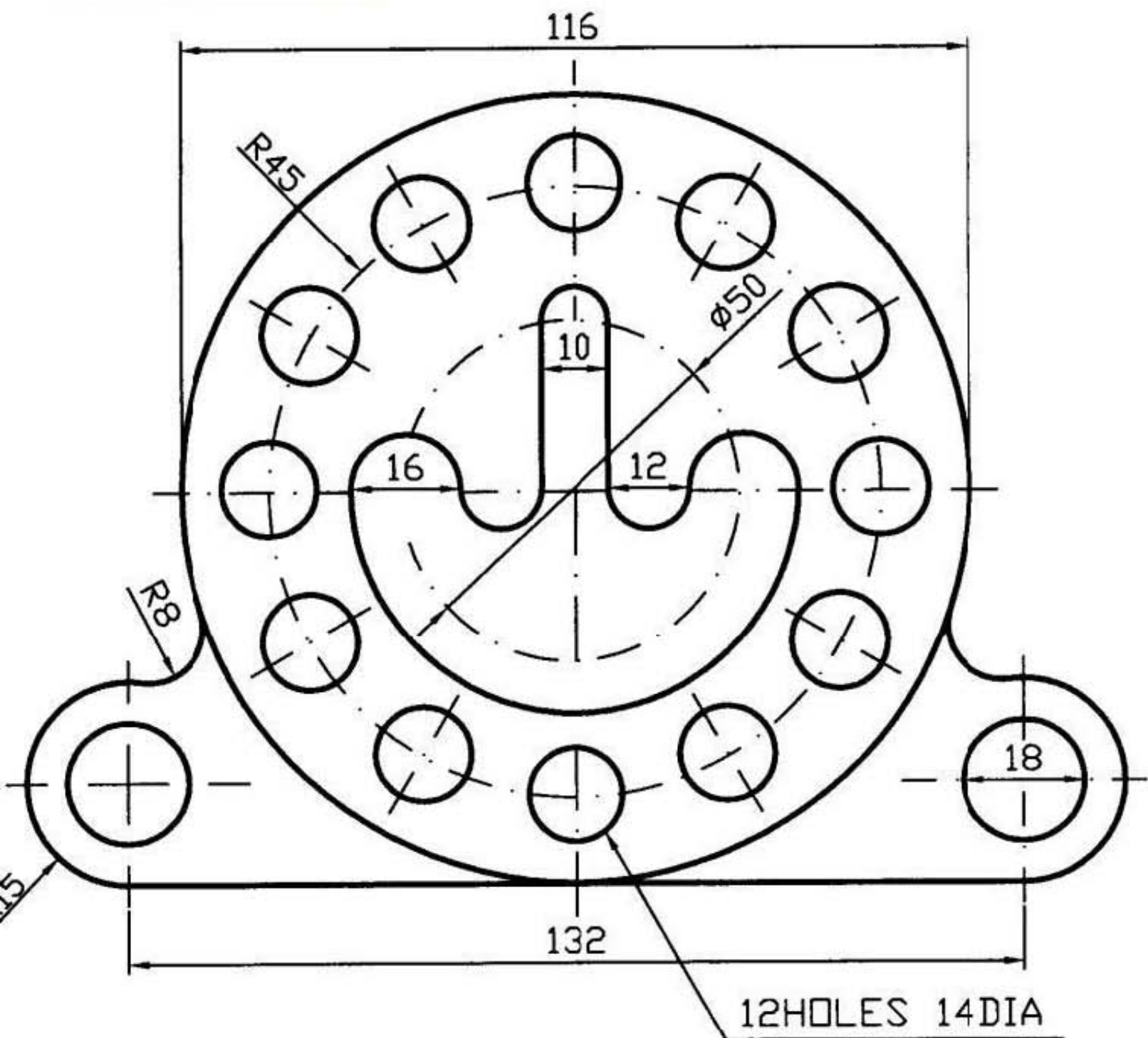


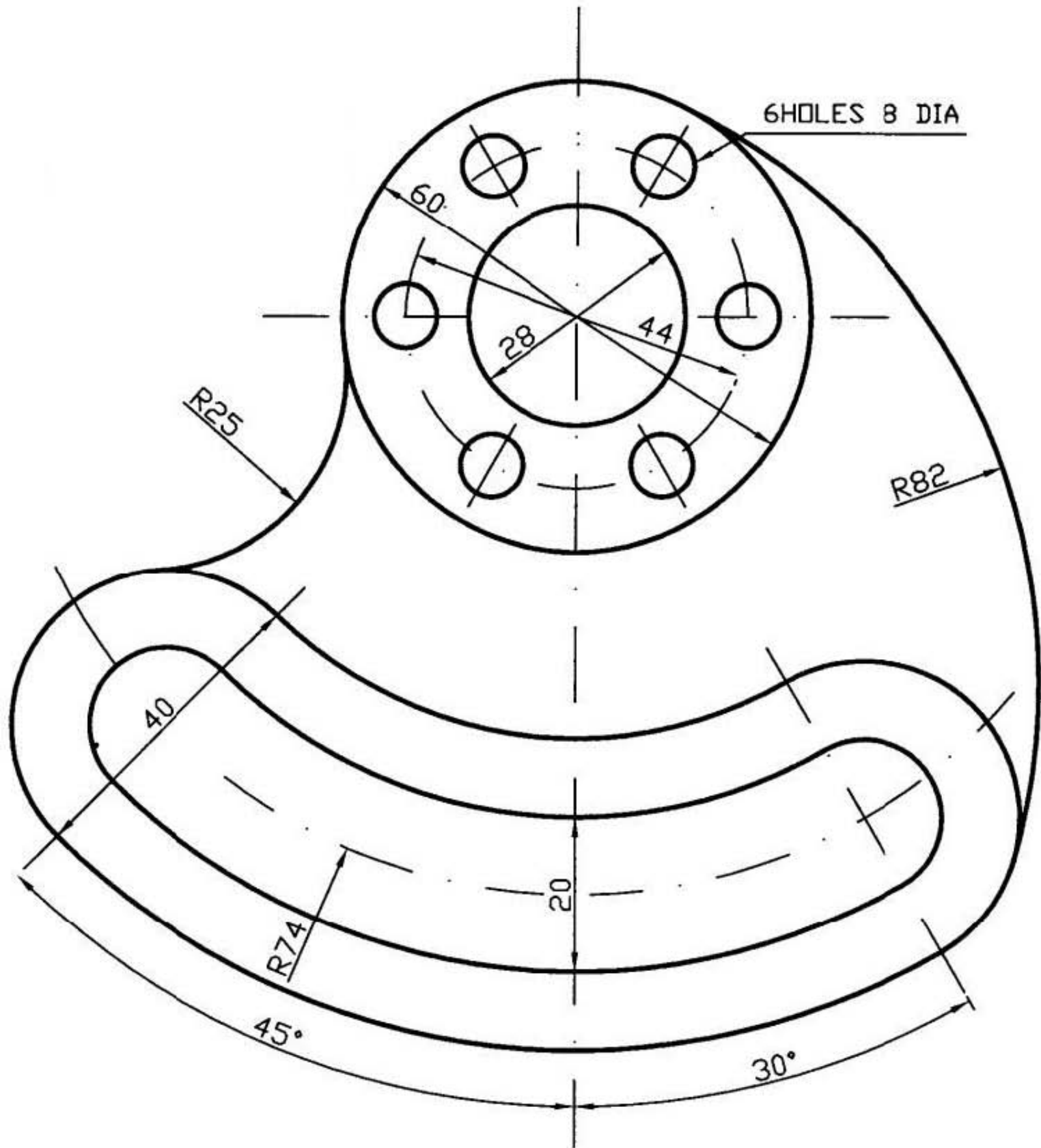


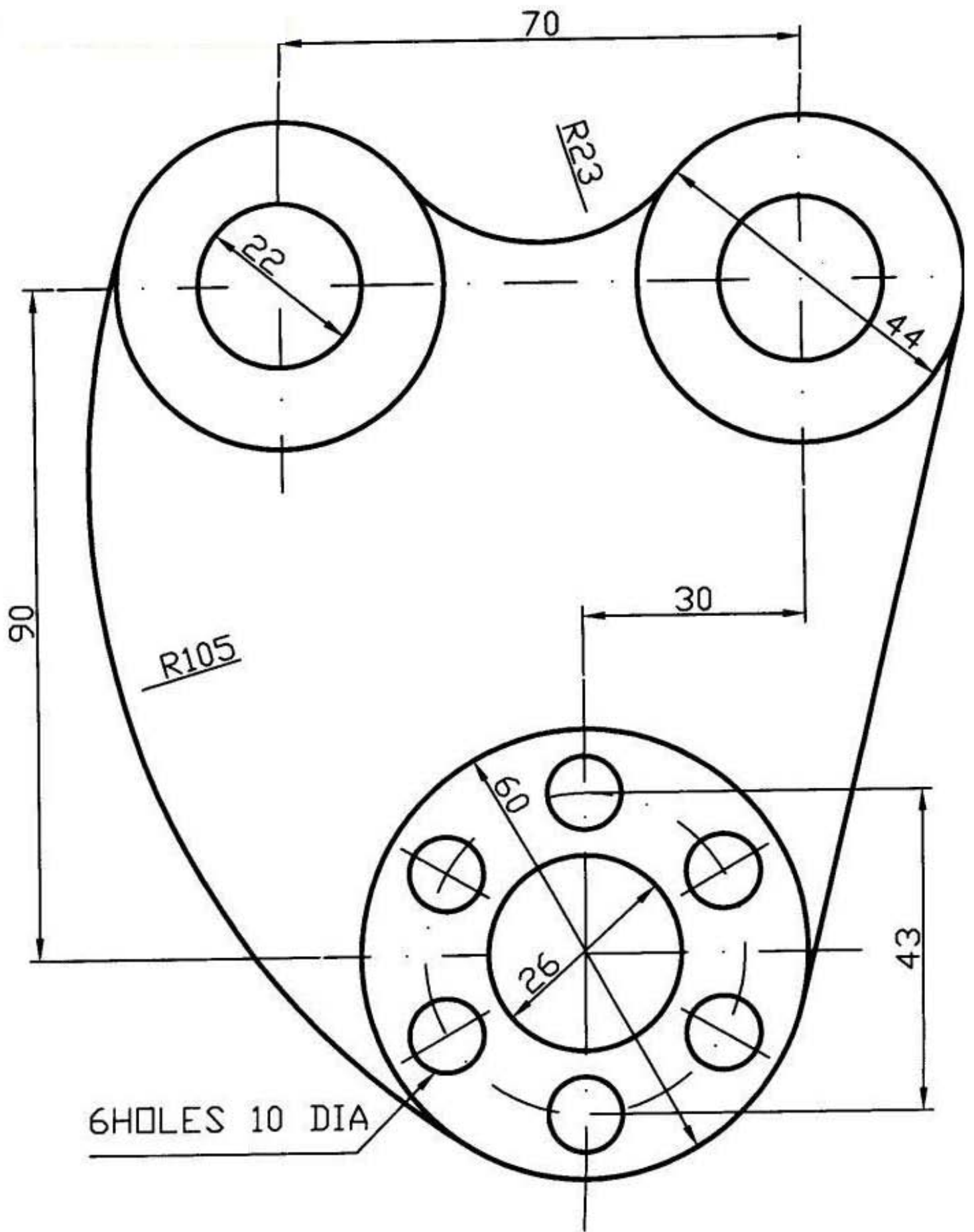


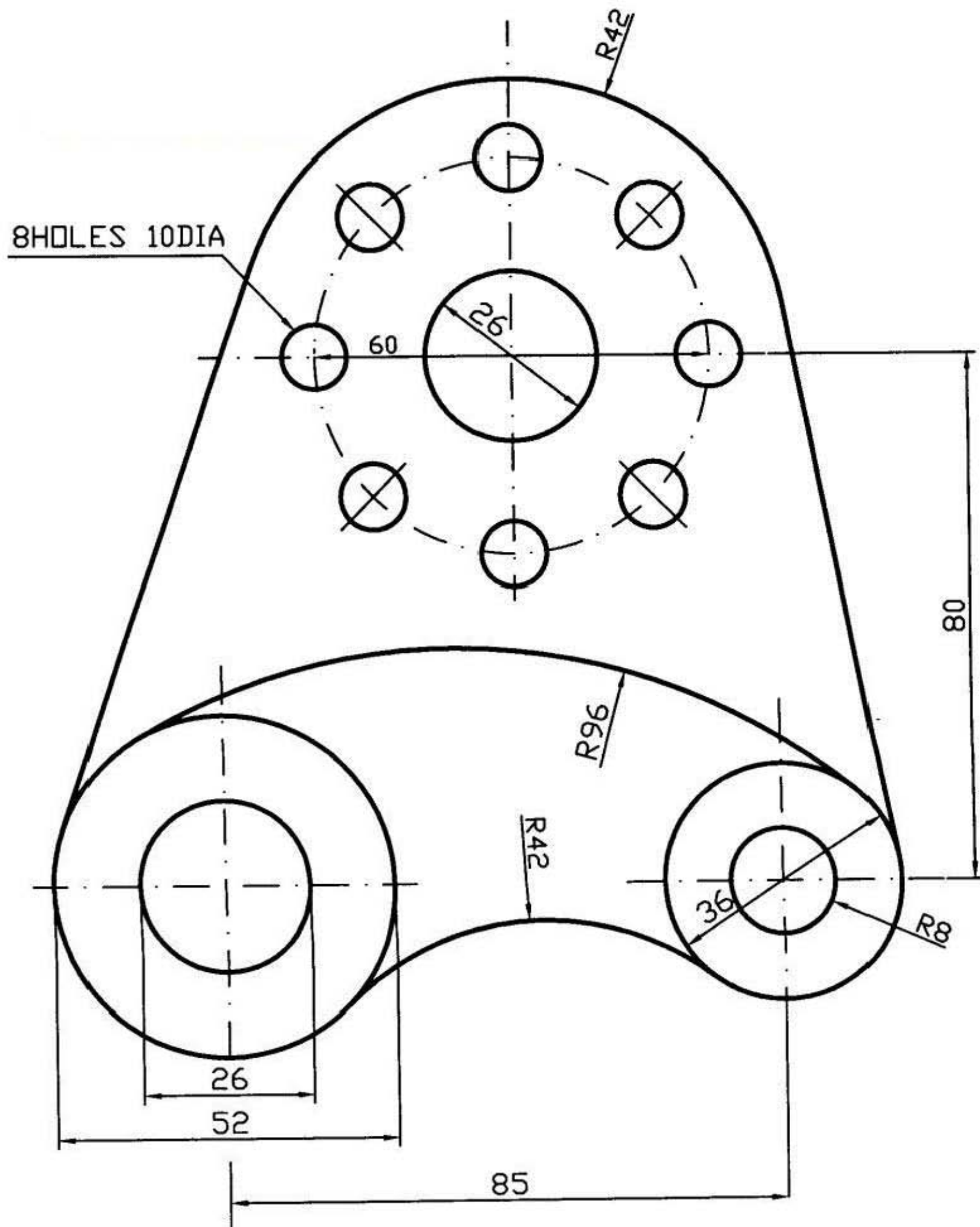


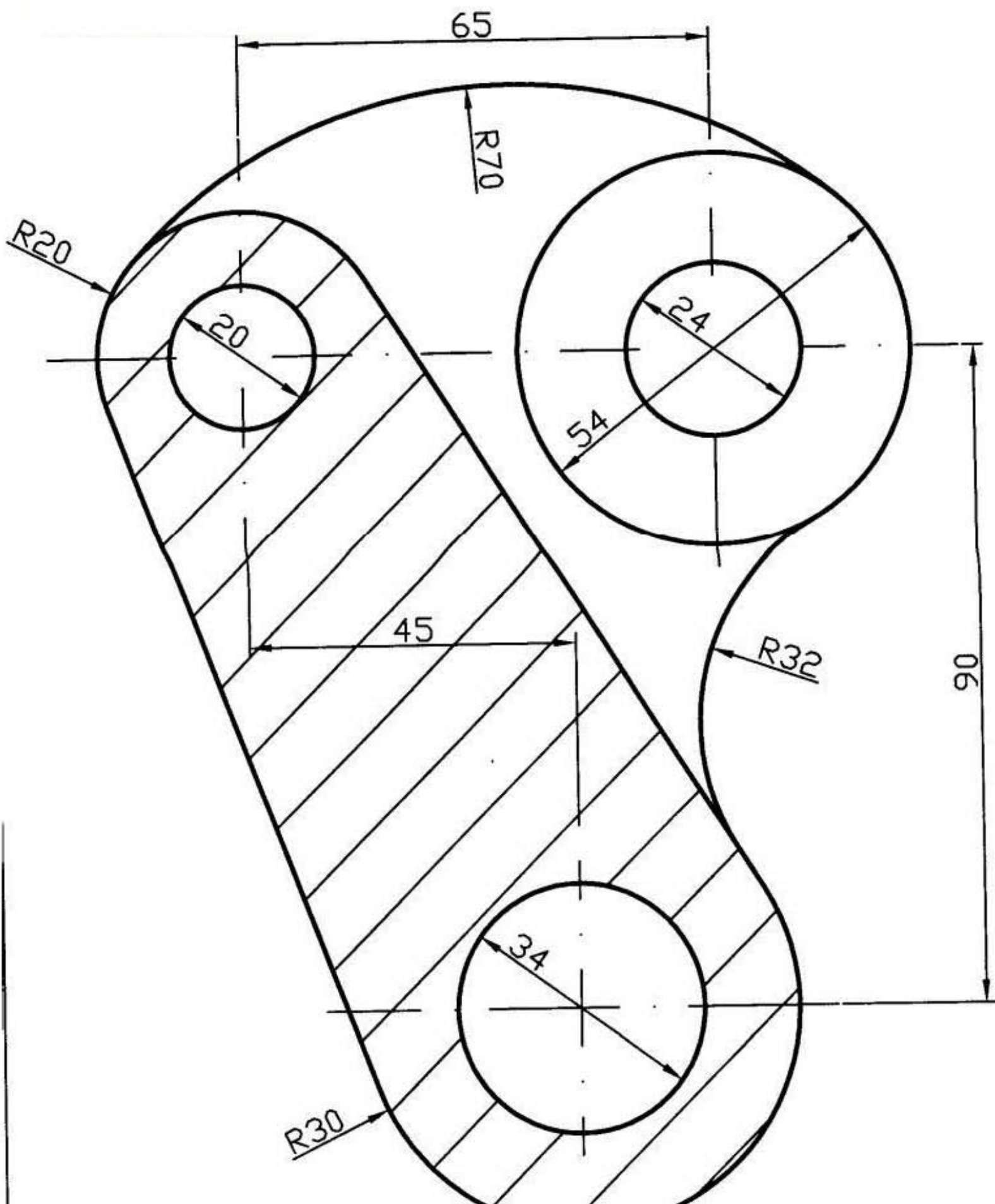


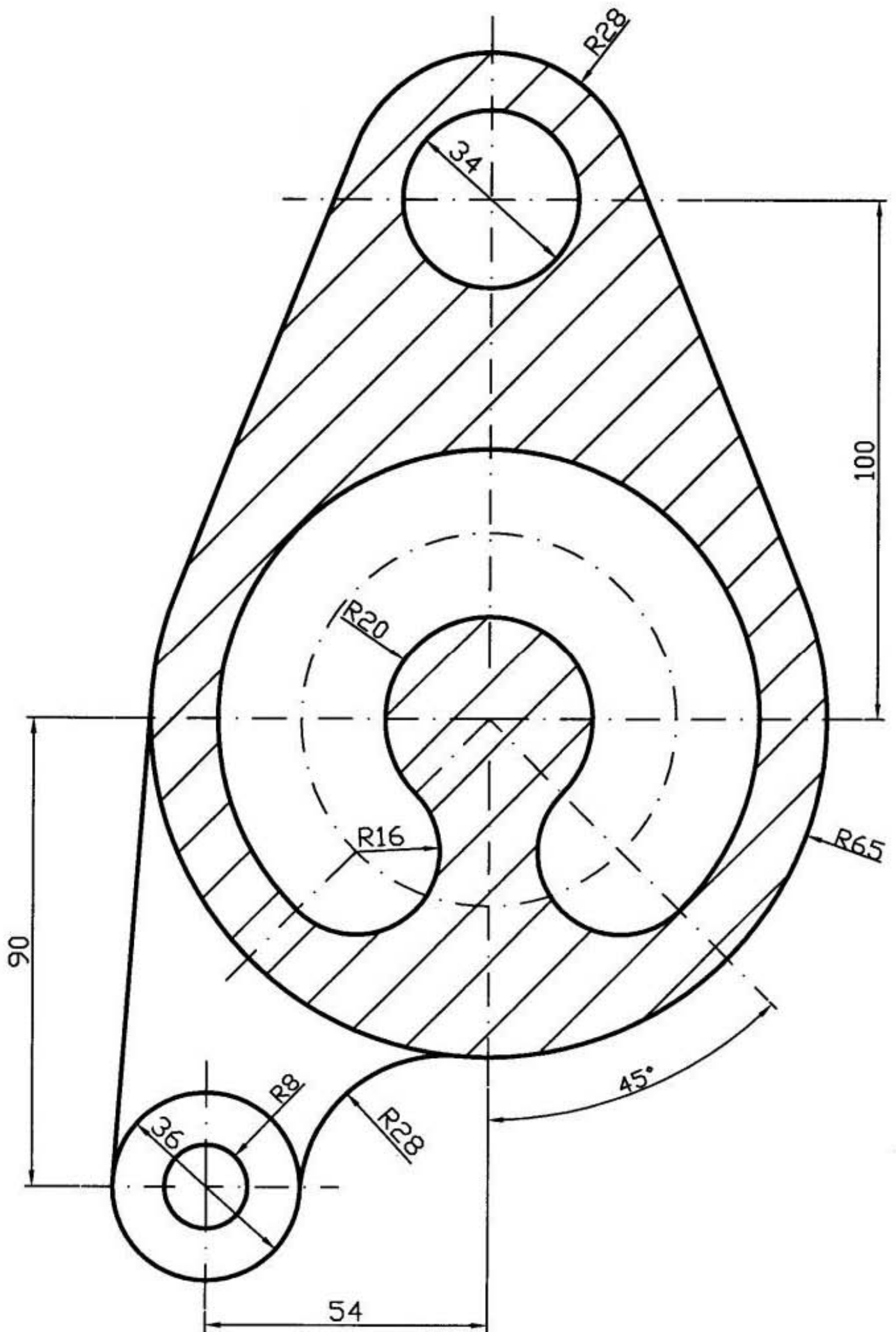


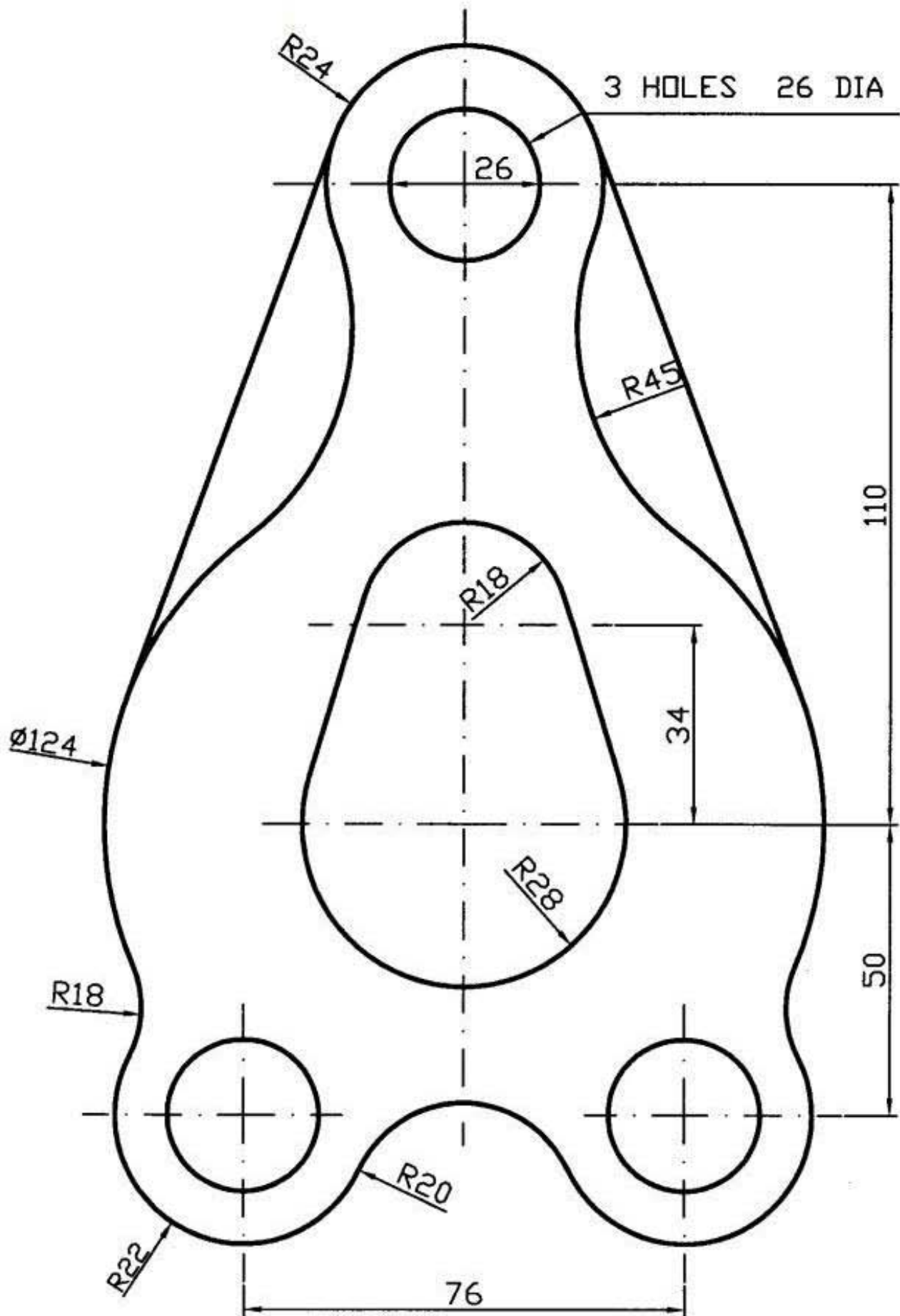


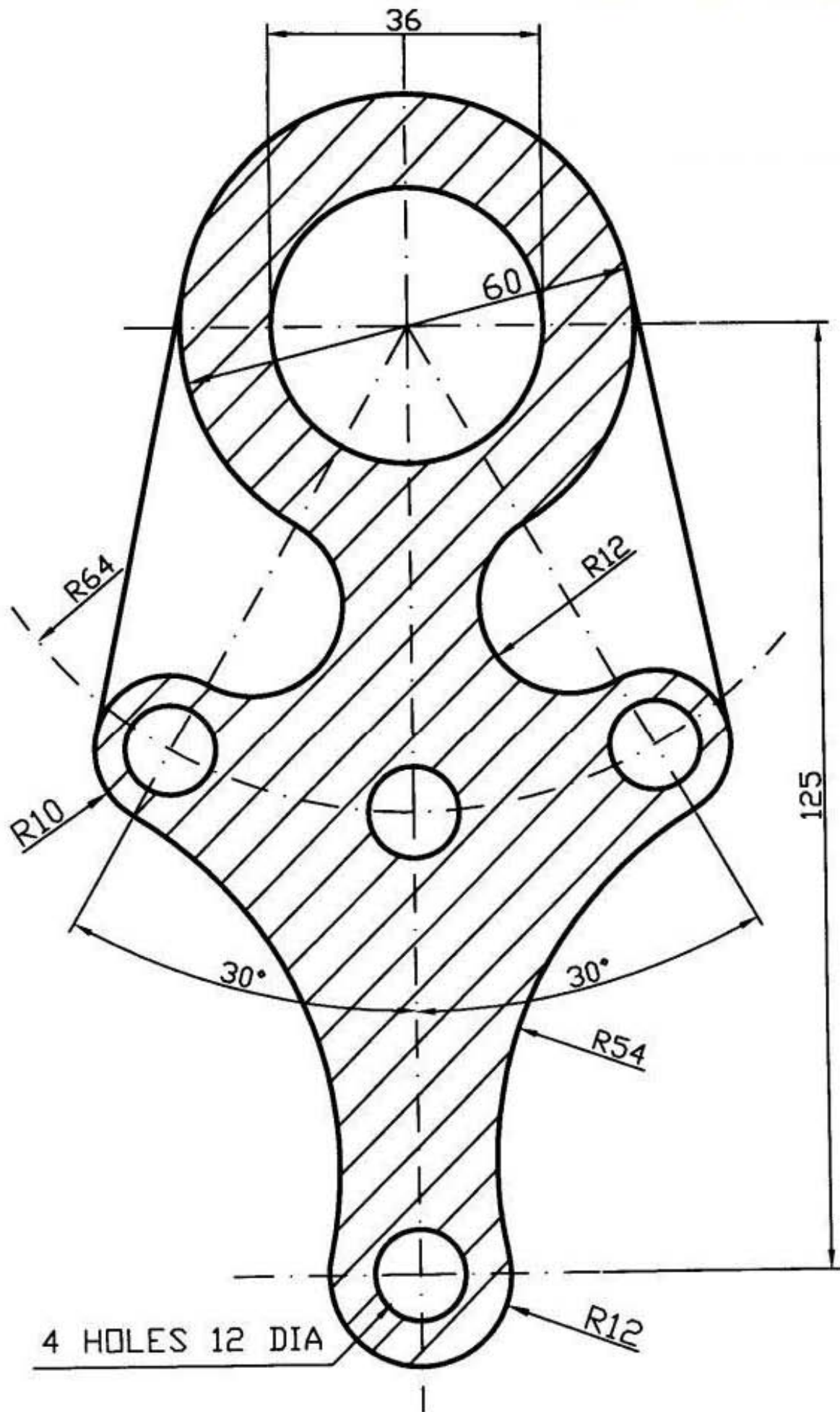


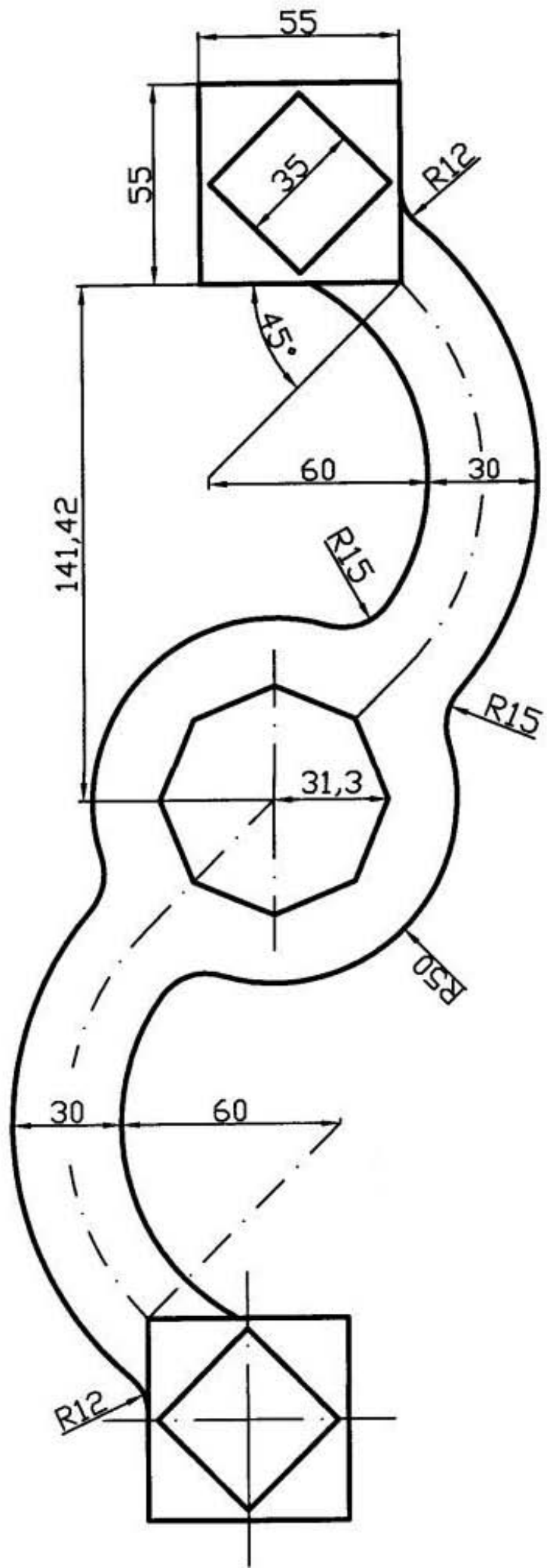


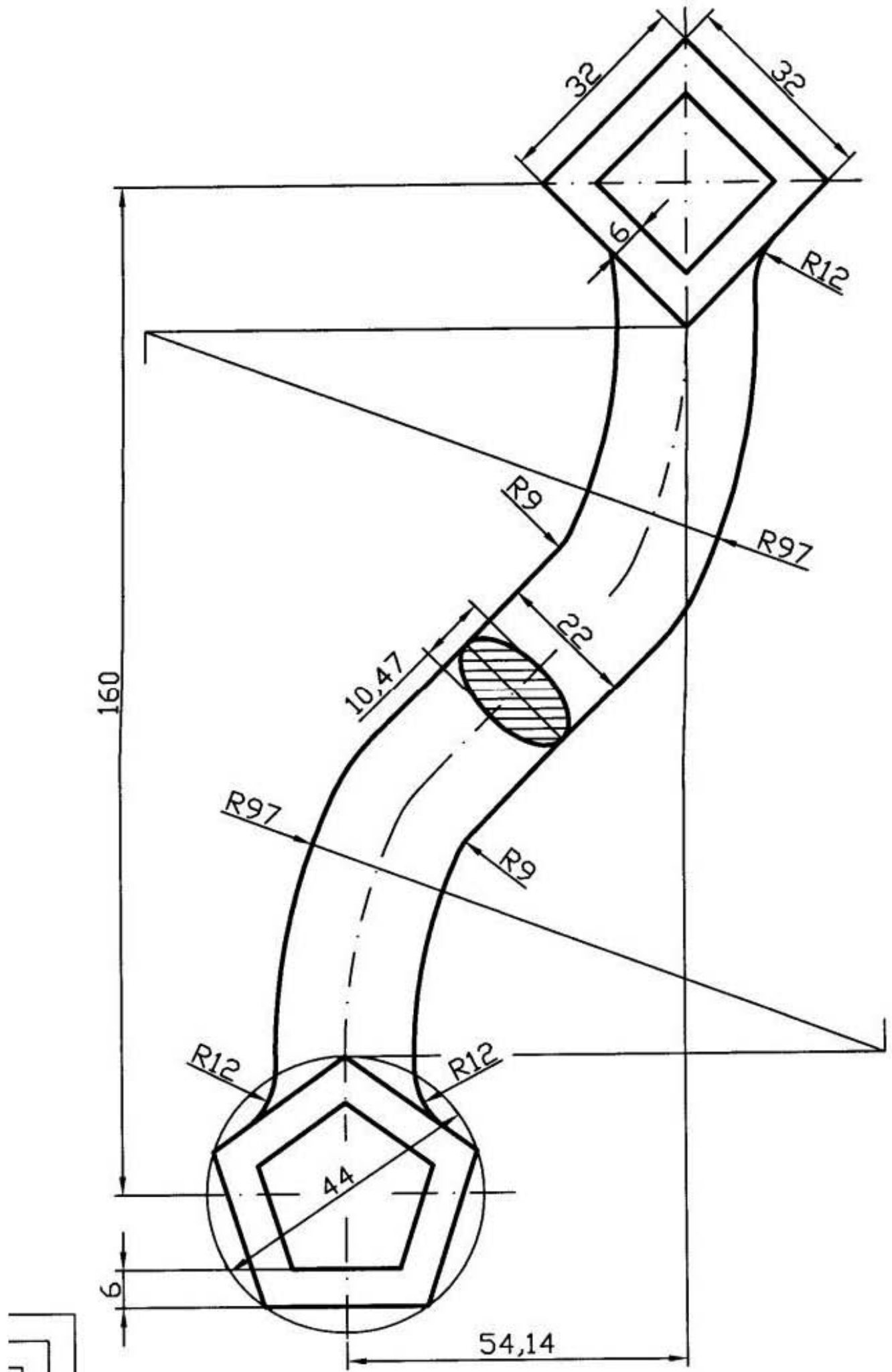


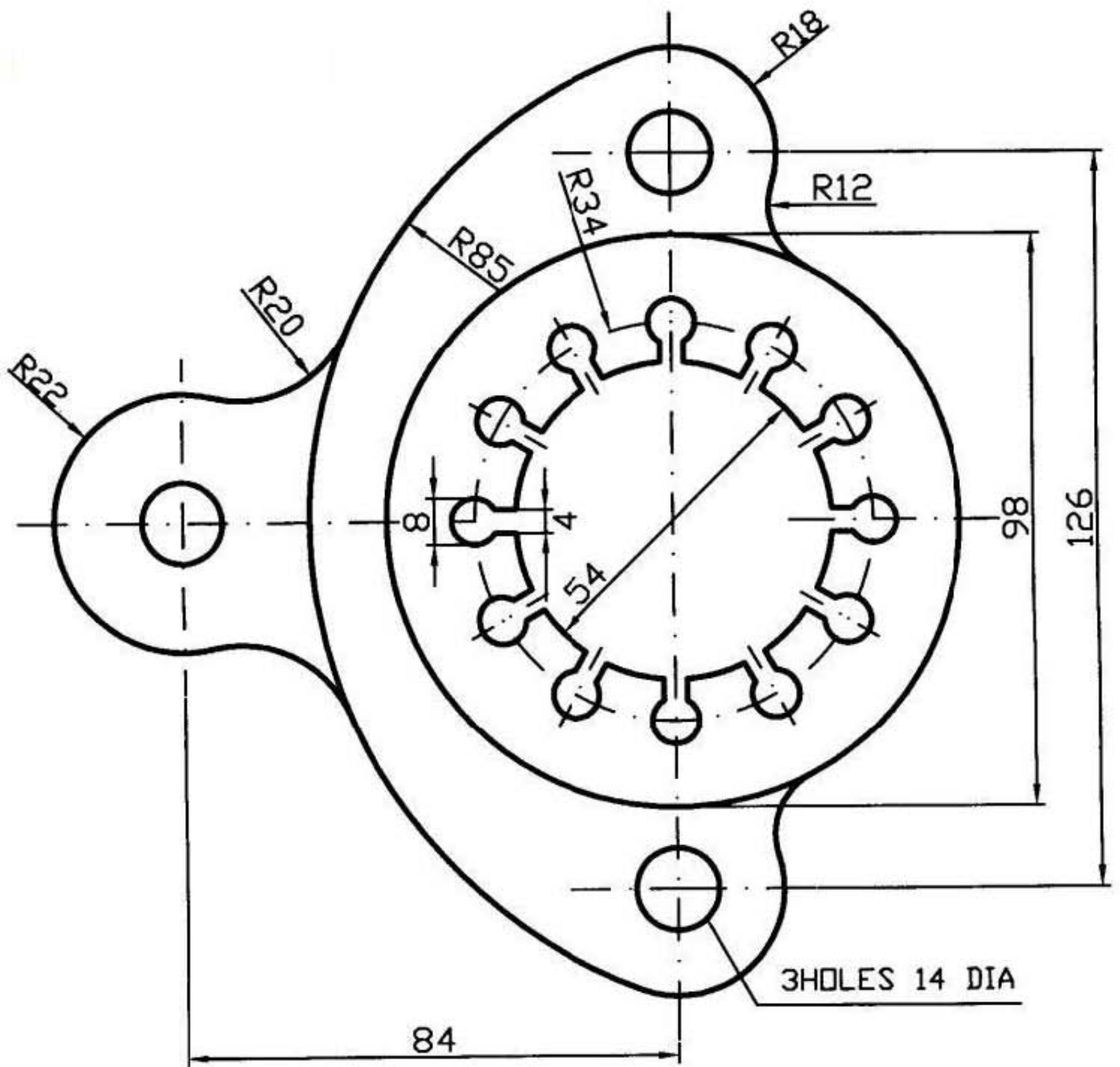


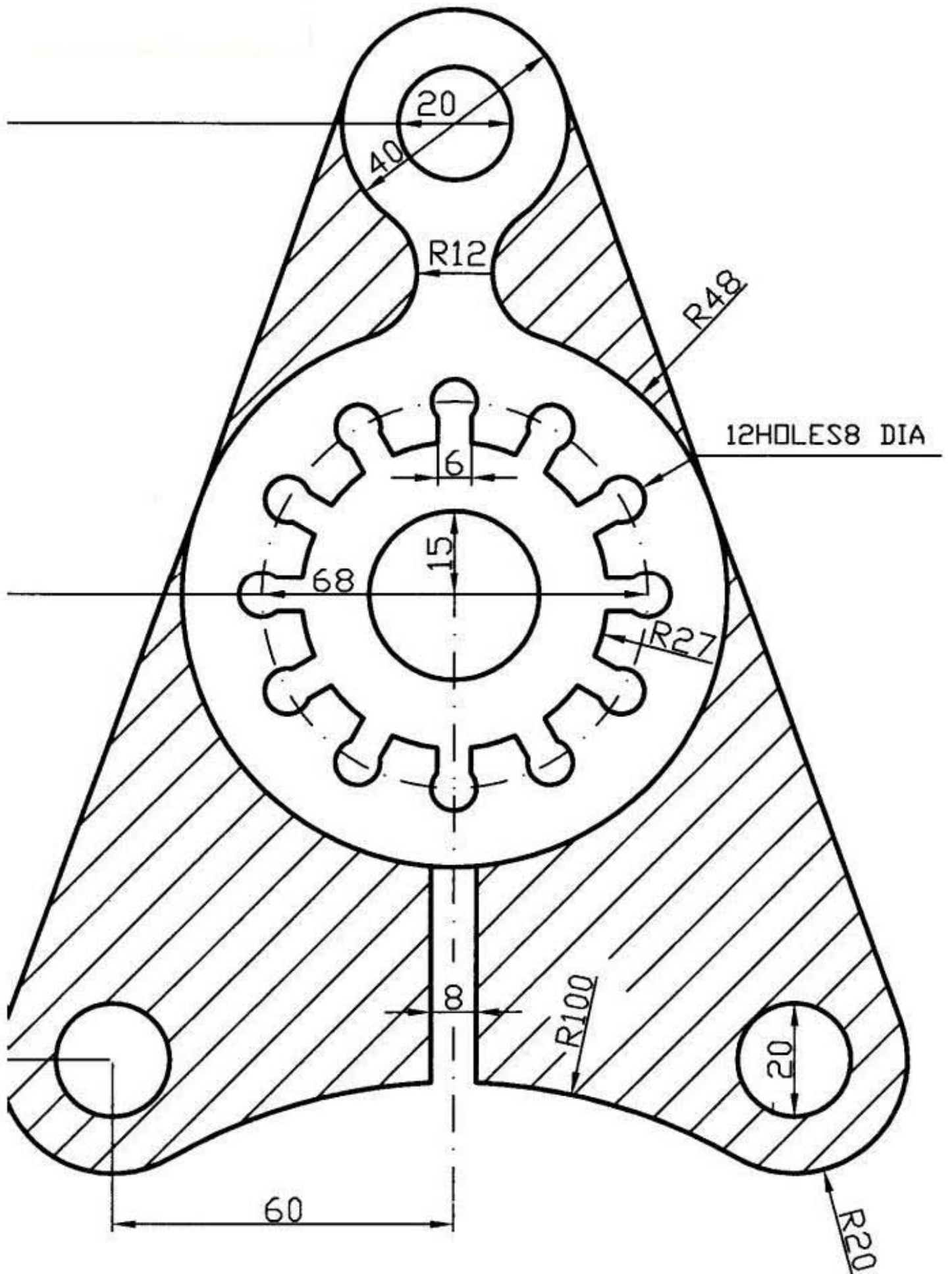


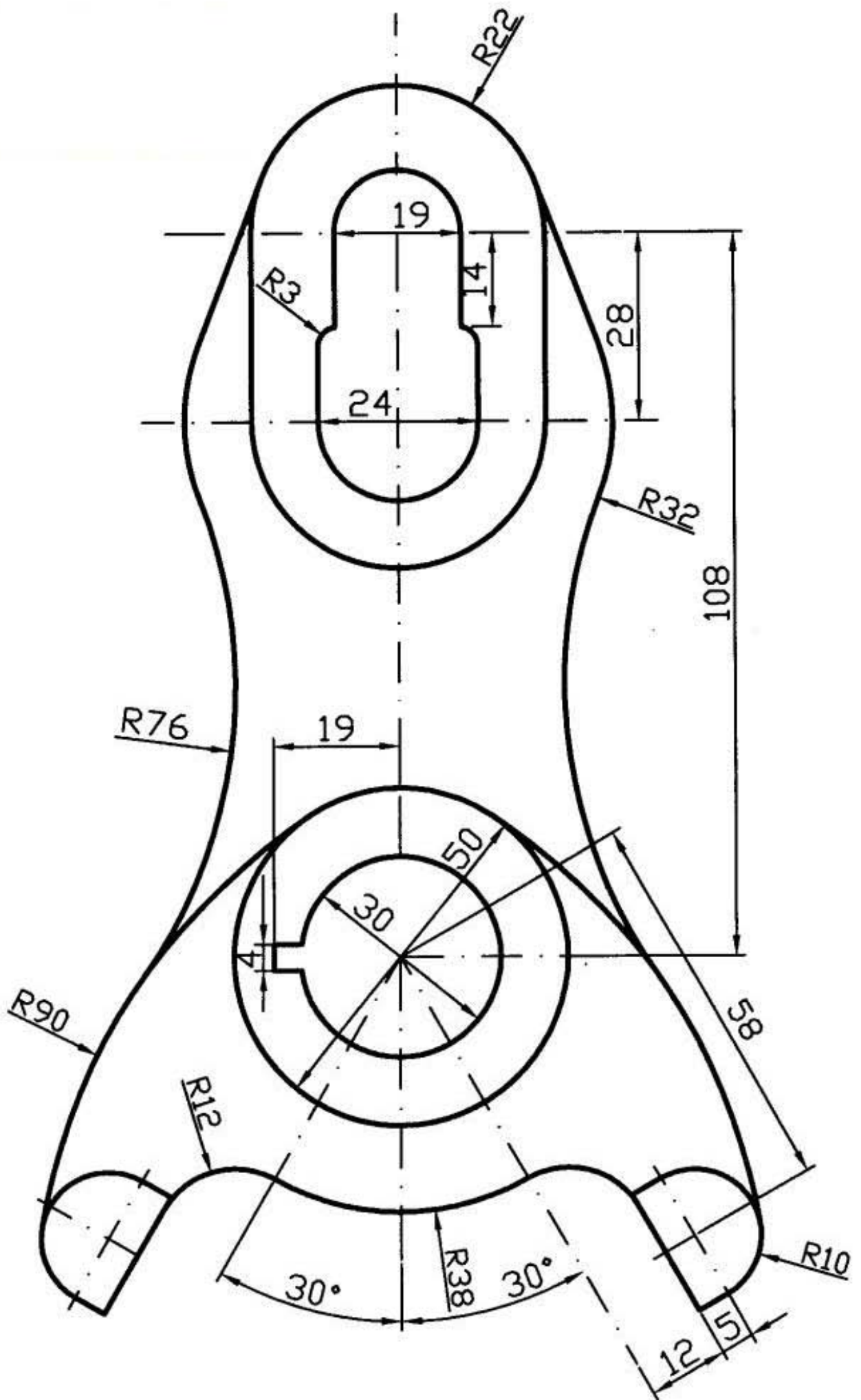


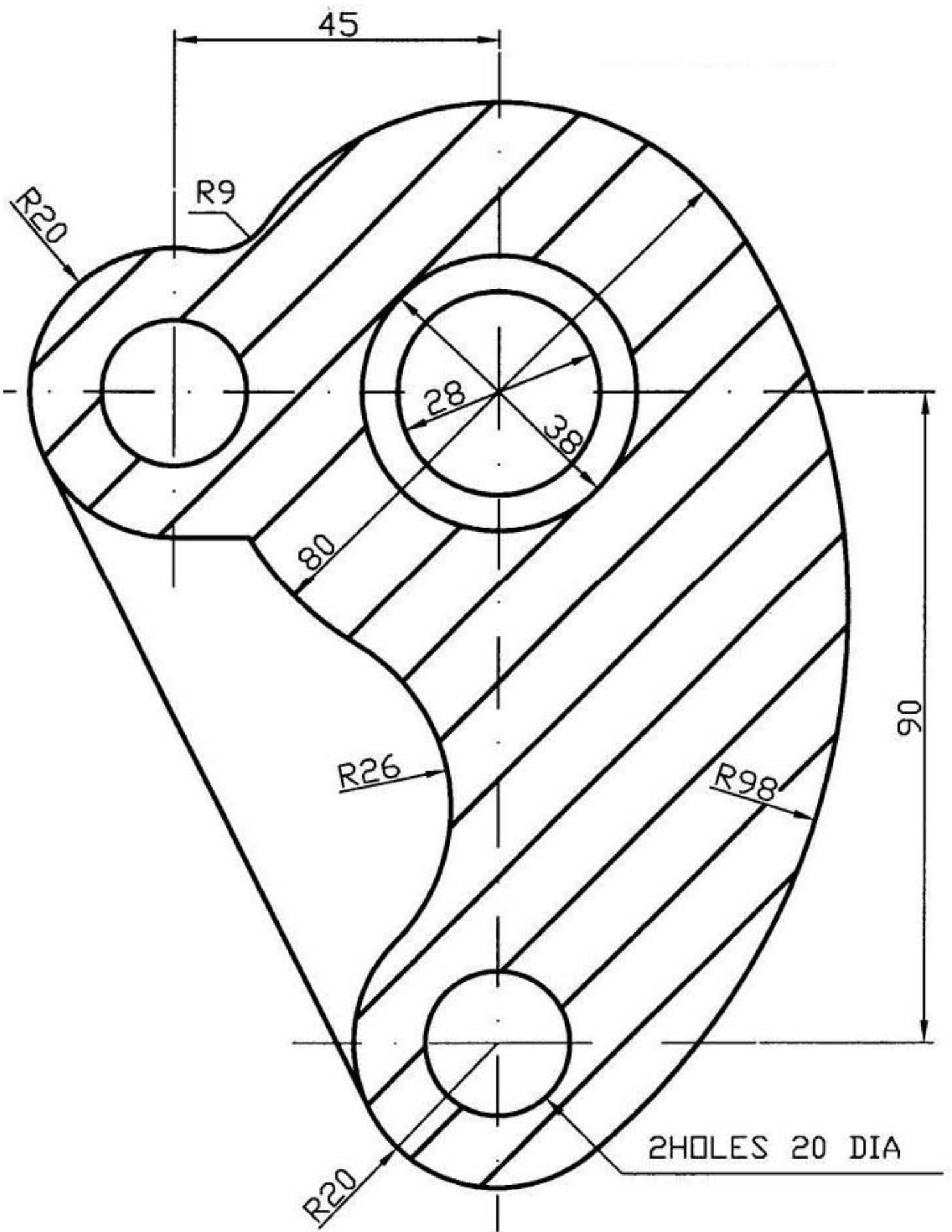


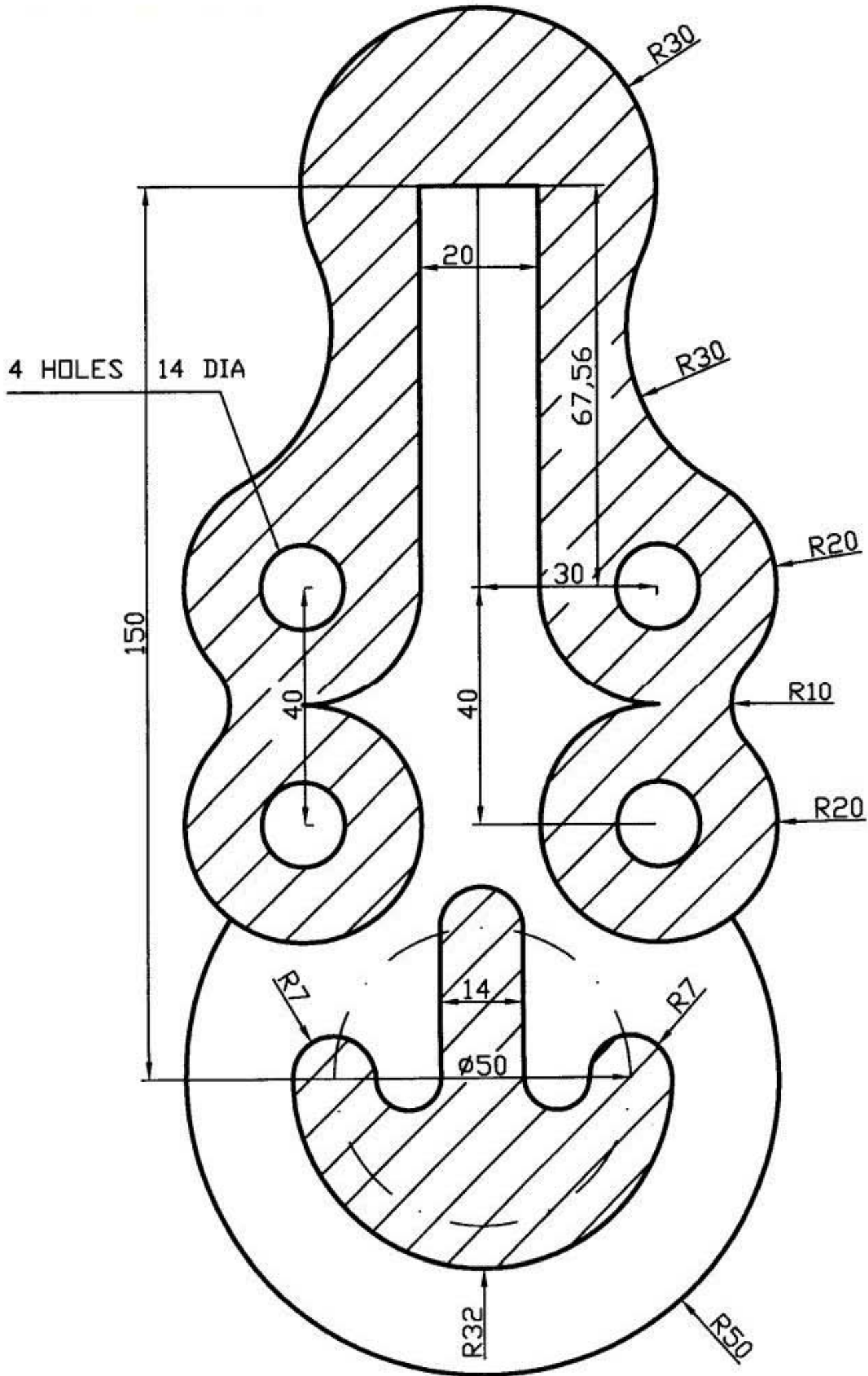


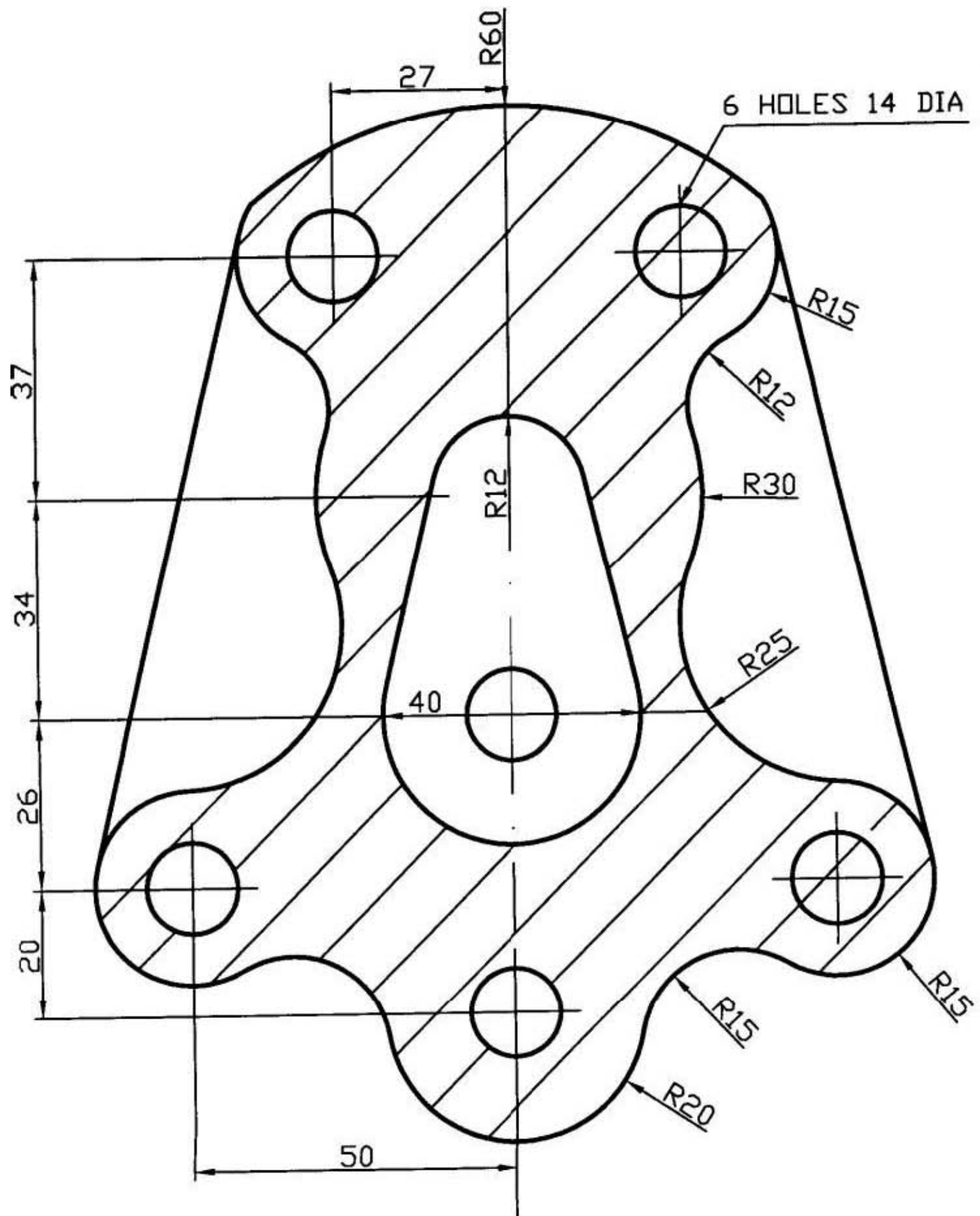


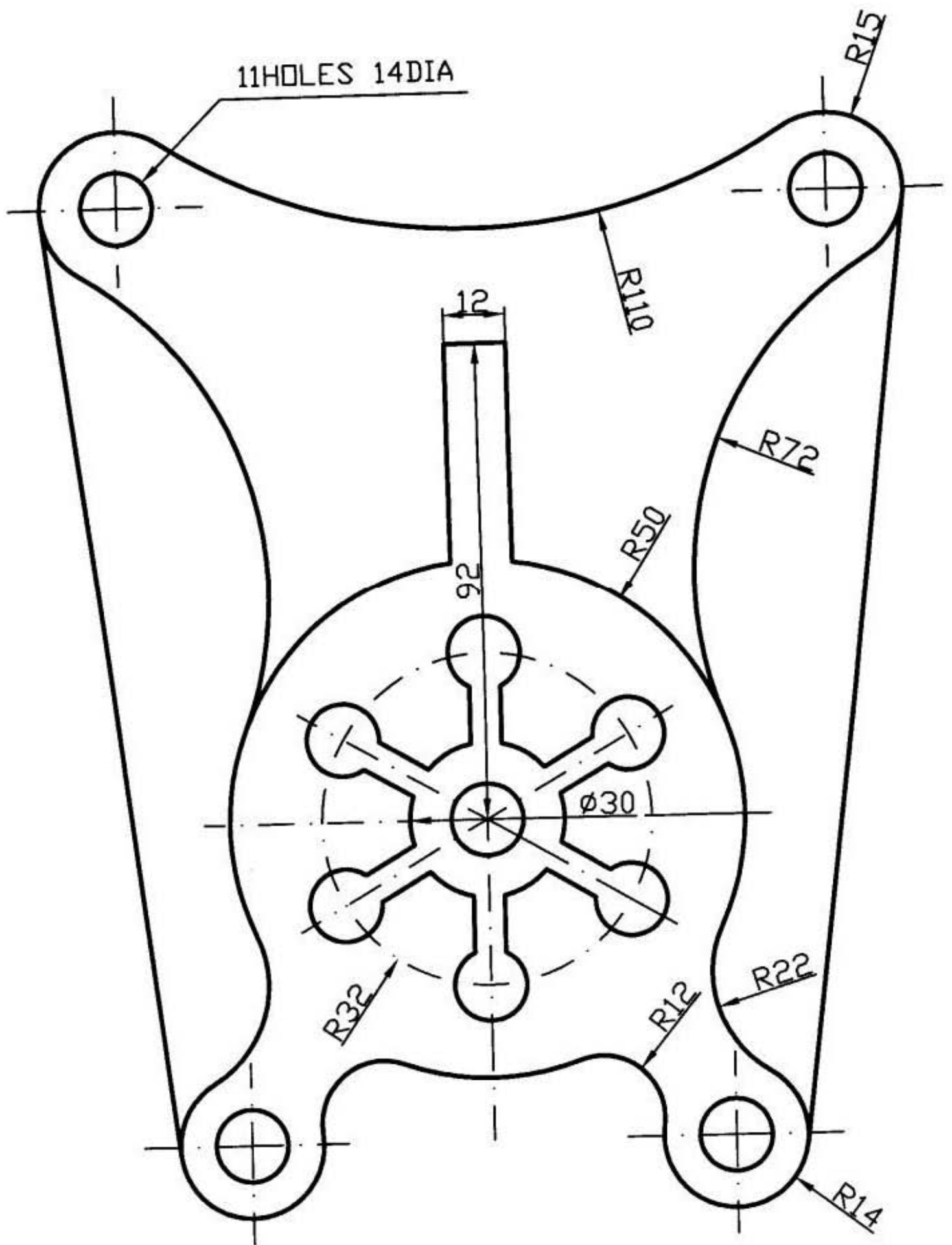


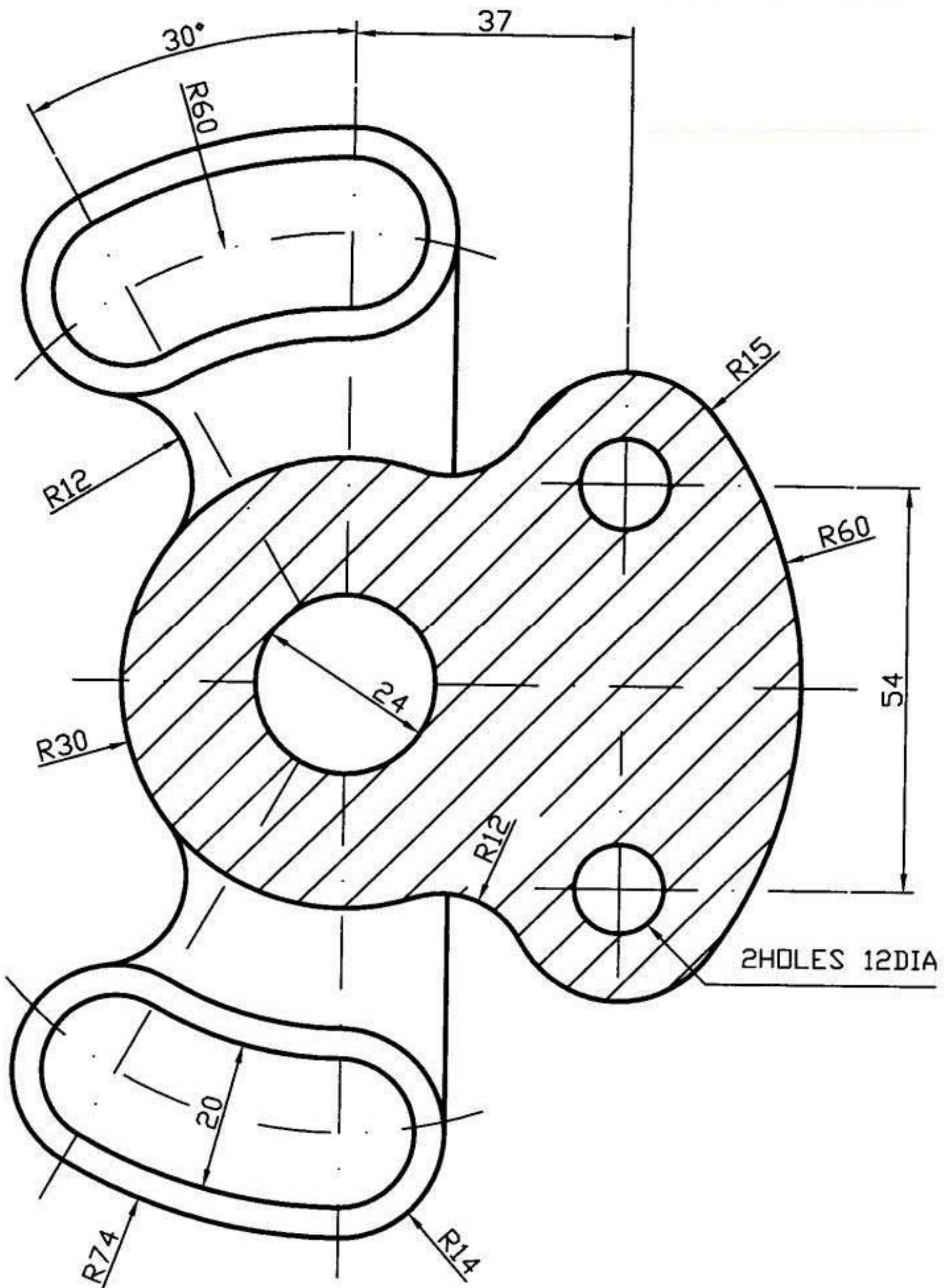


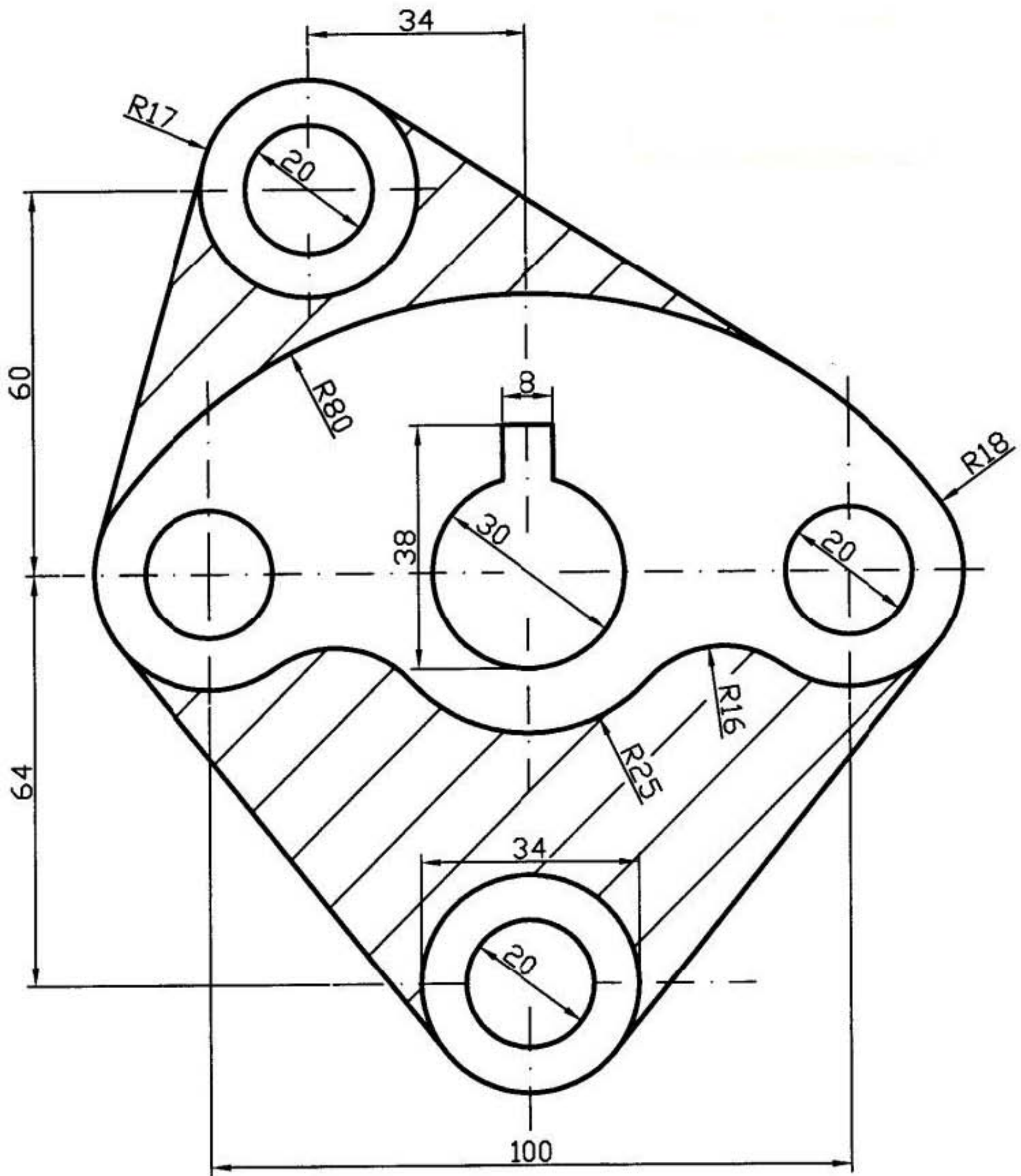


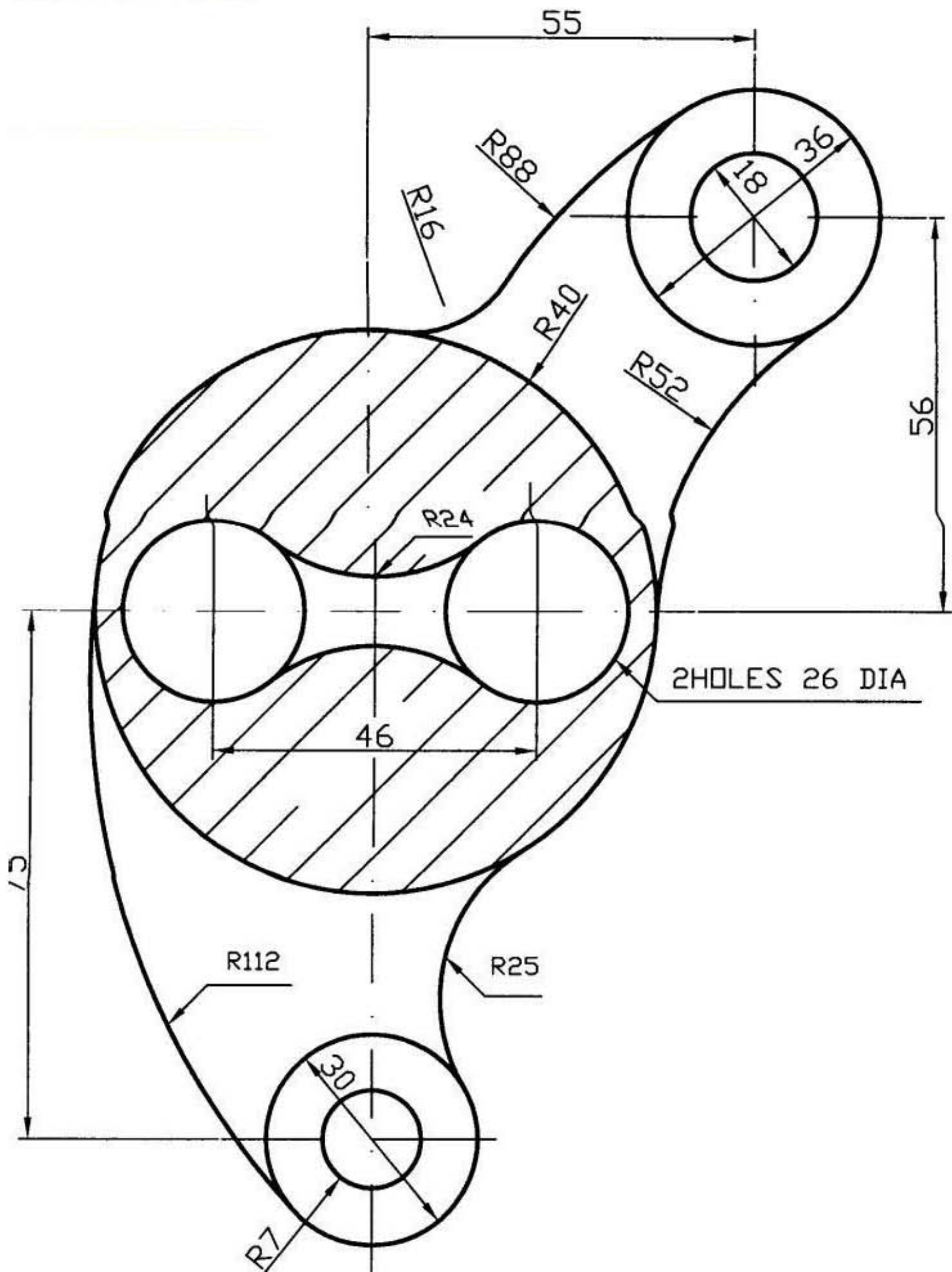


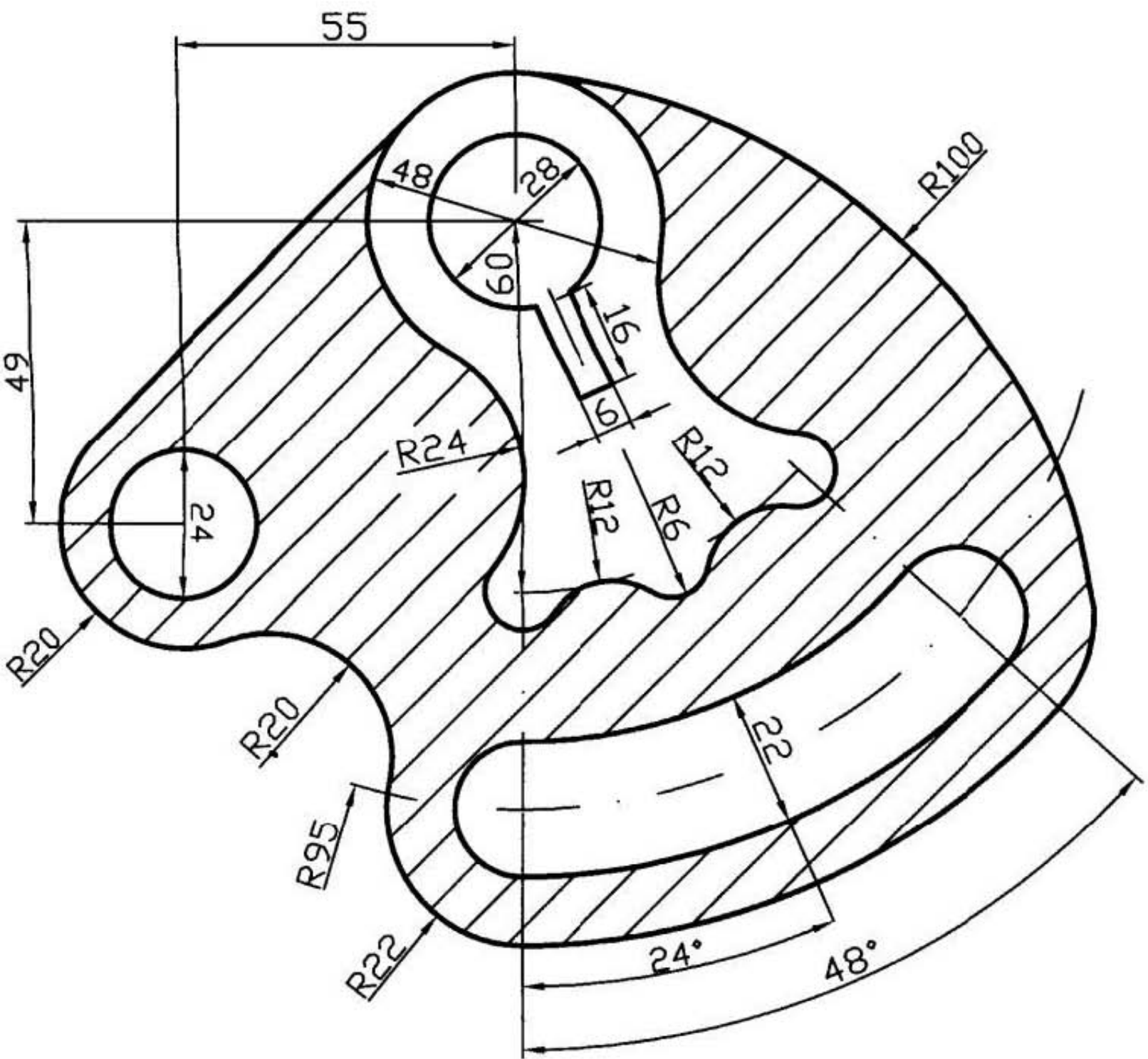


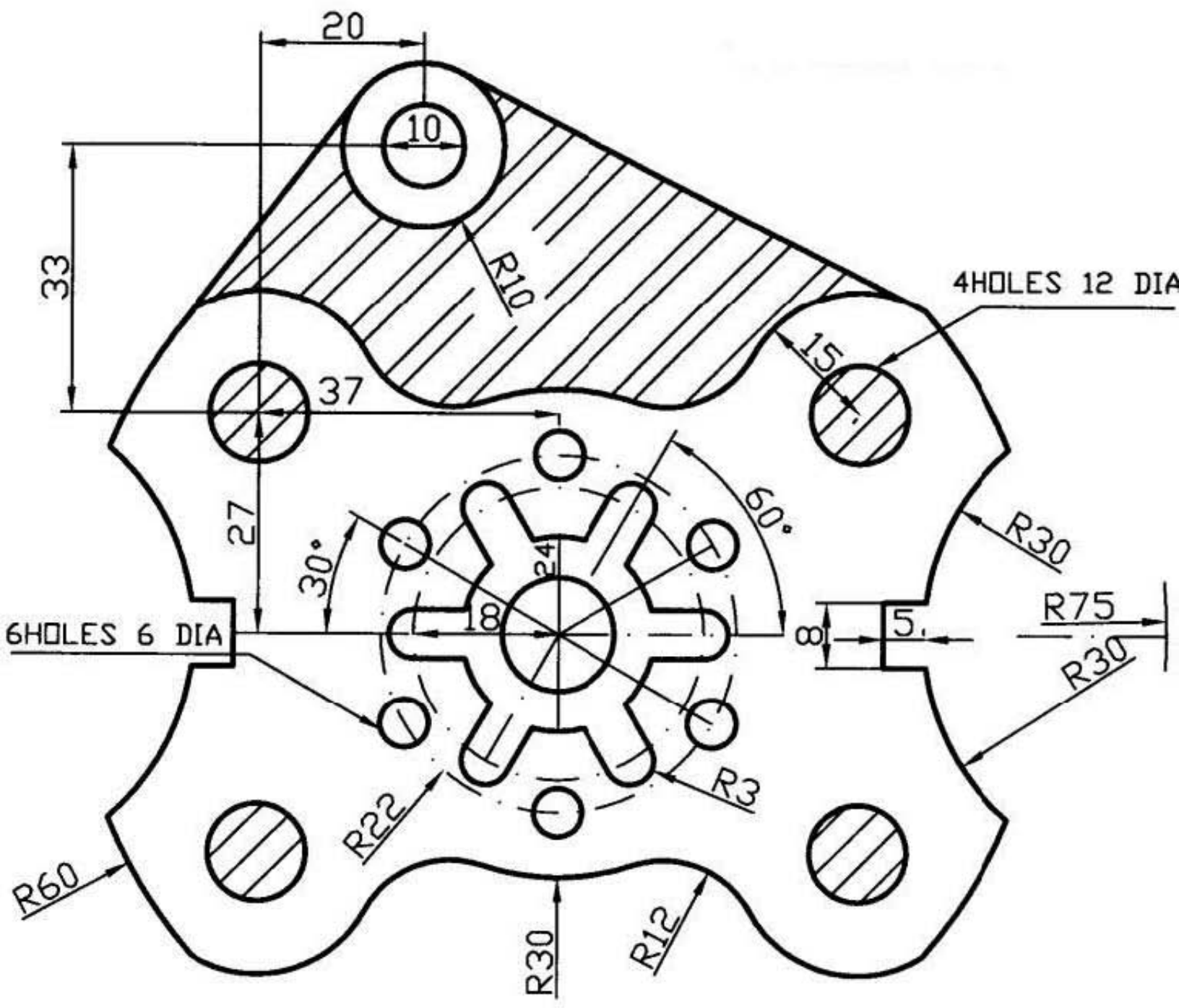


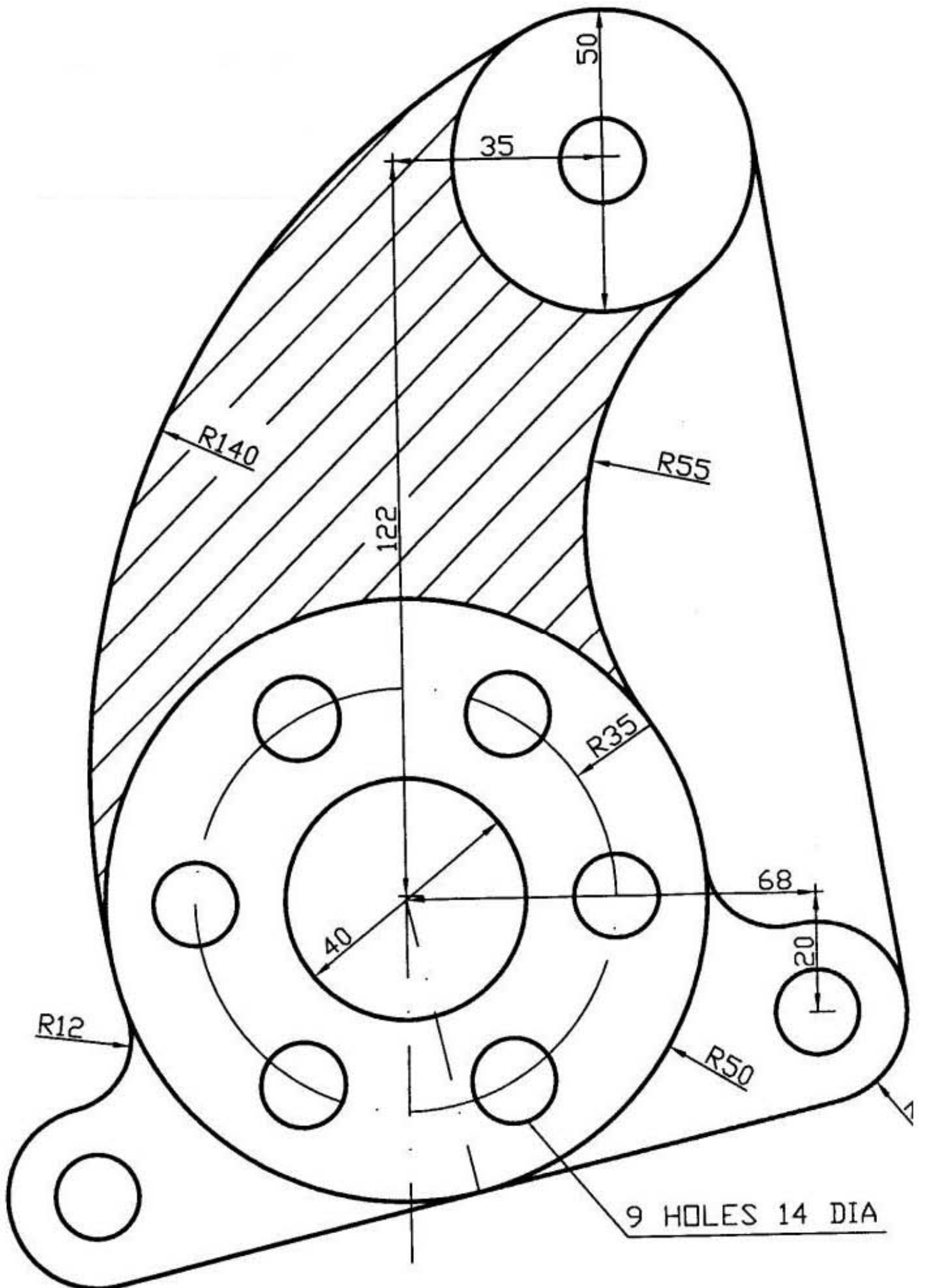


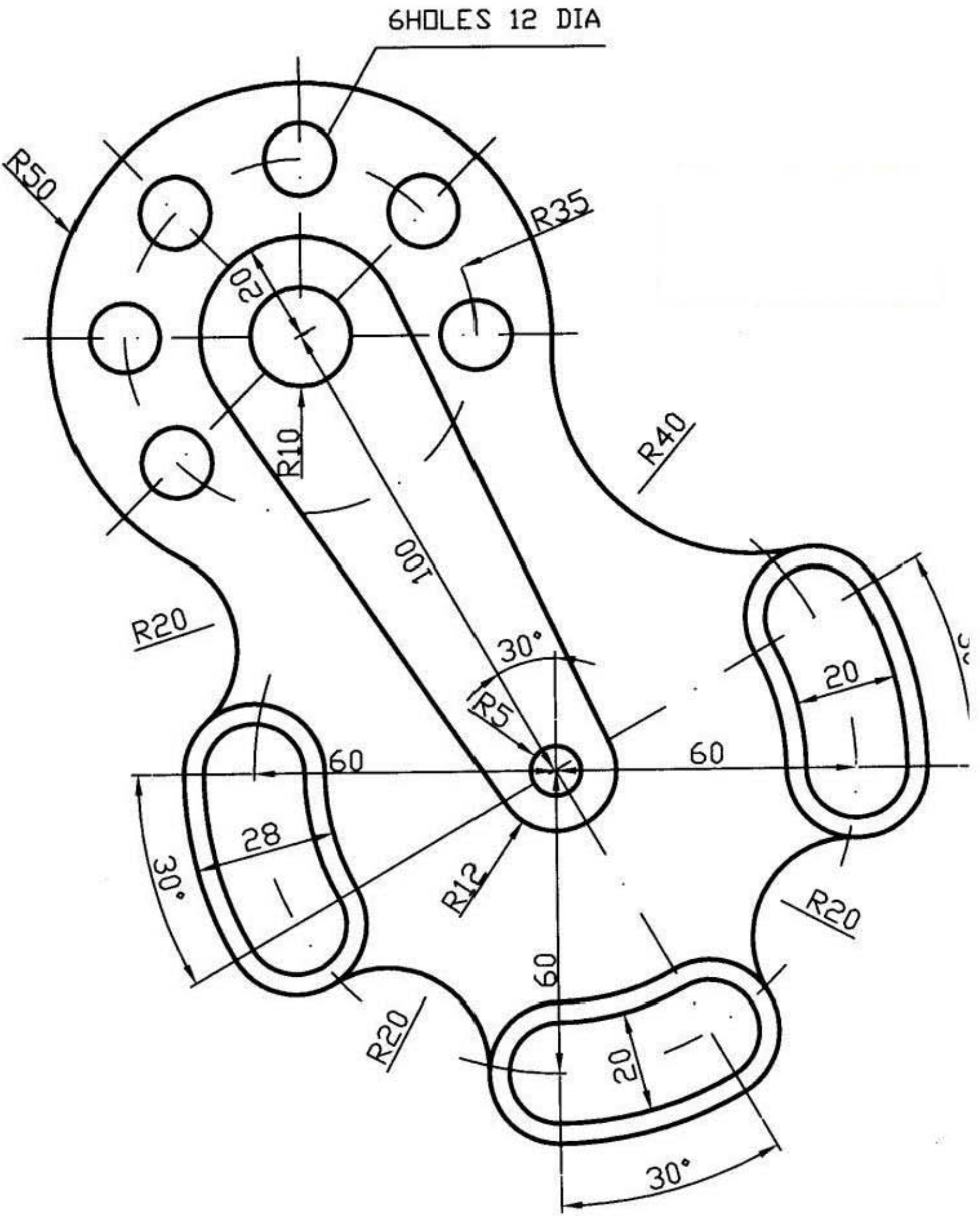


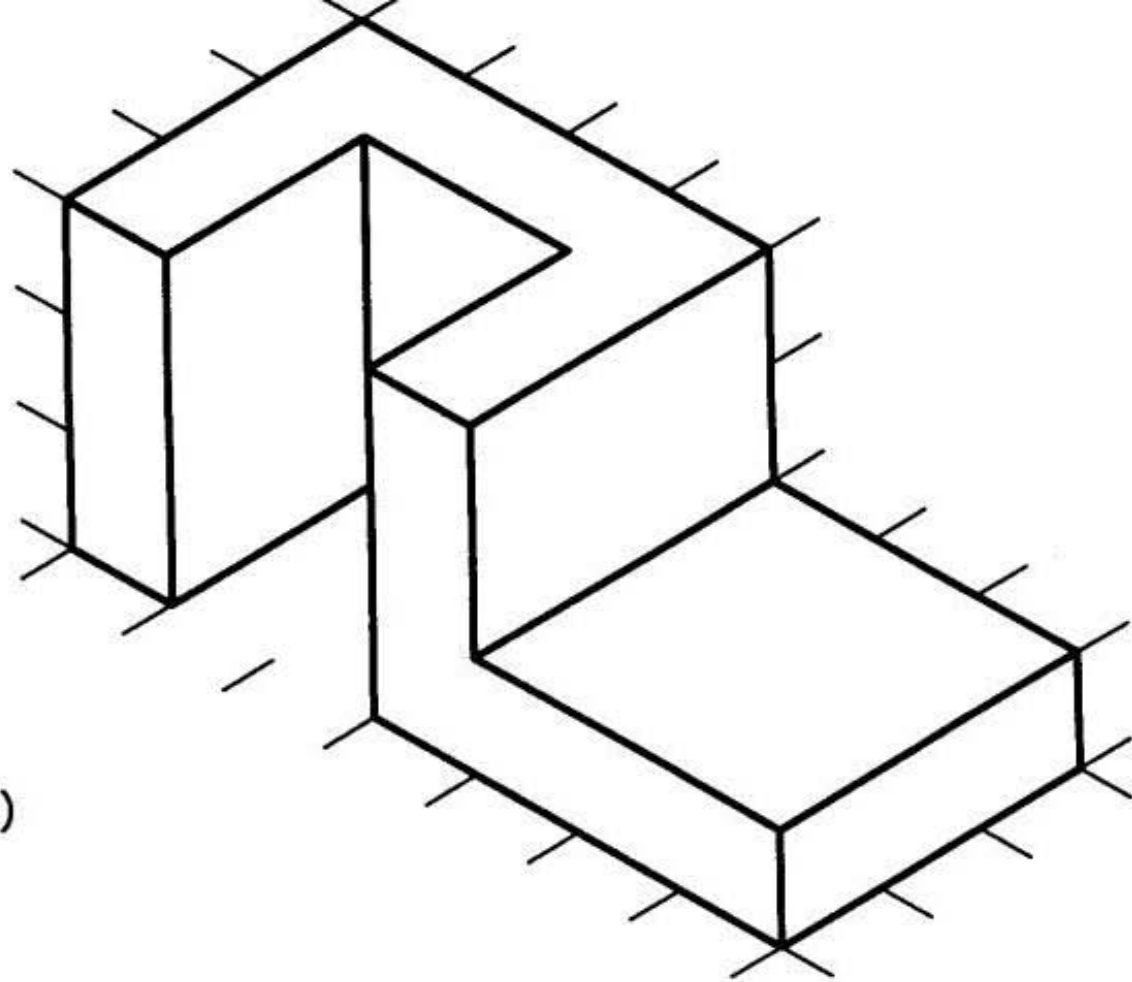




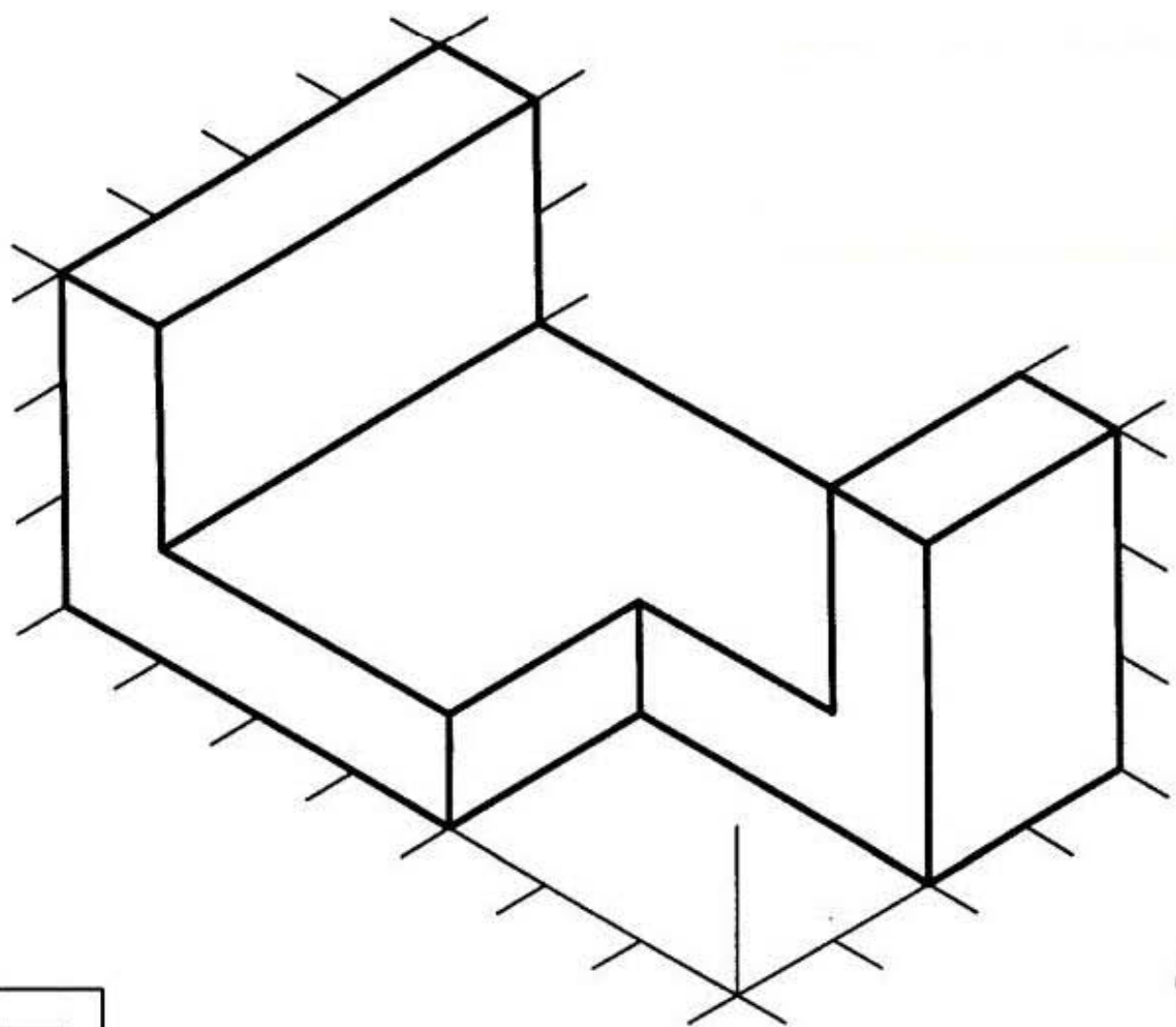




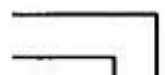


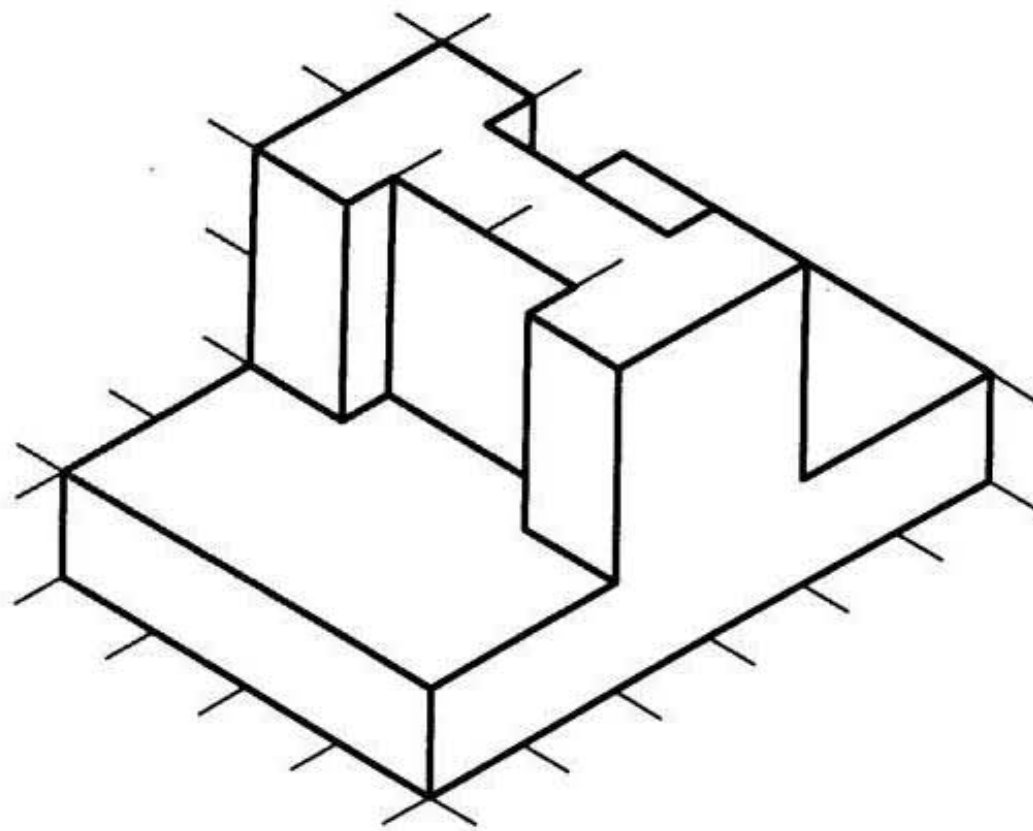


(A)

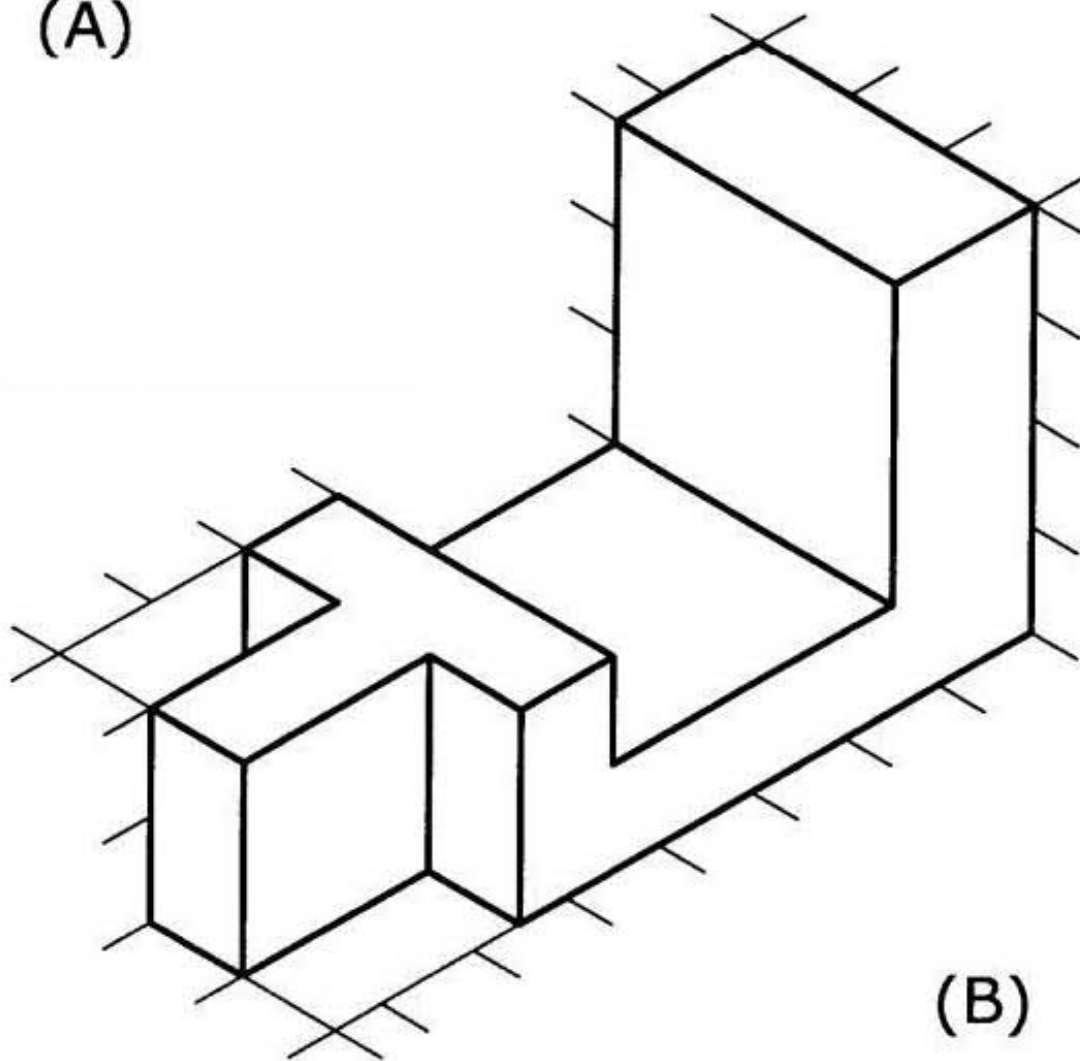


(B)



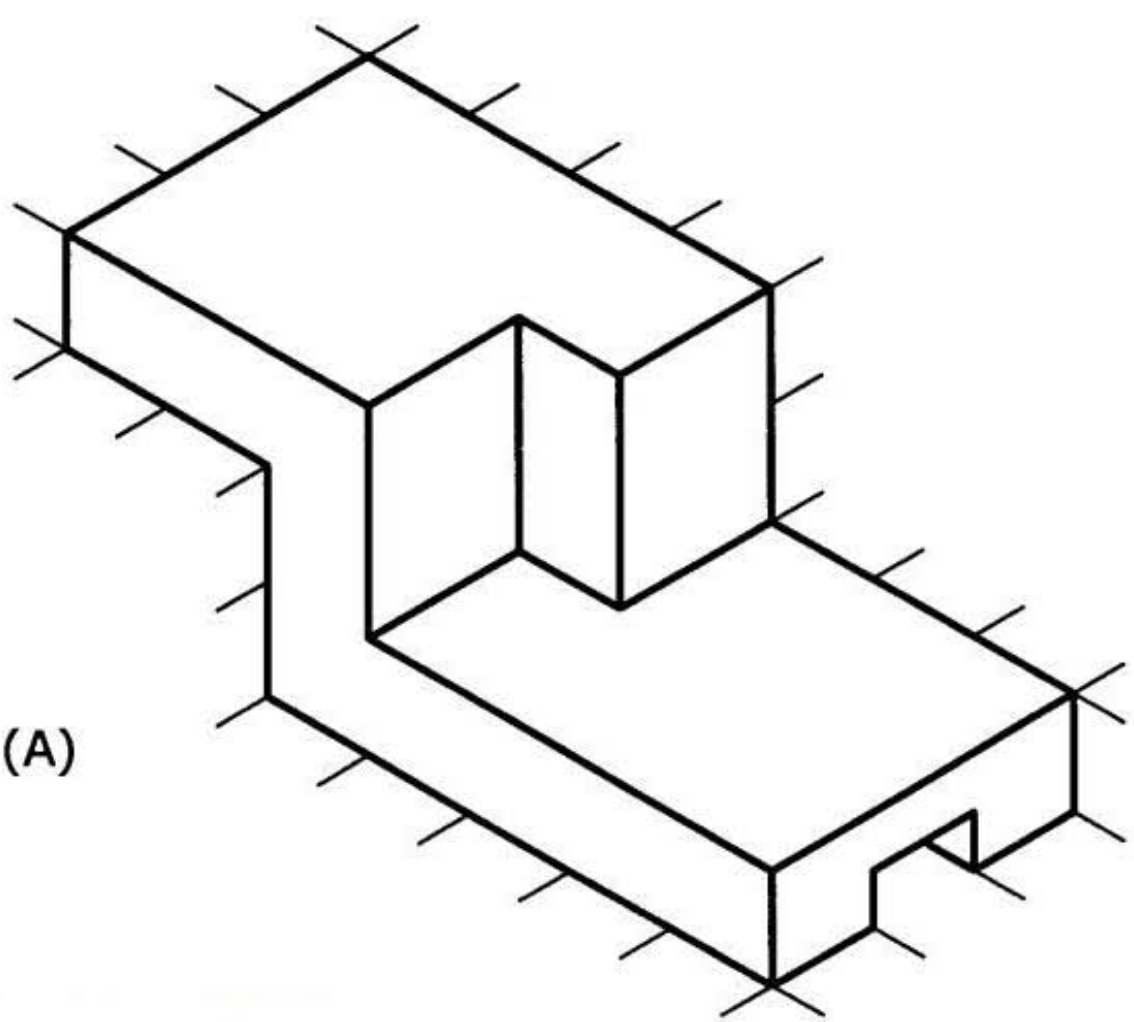


(A)

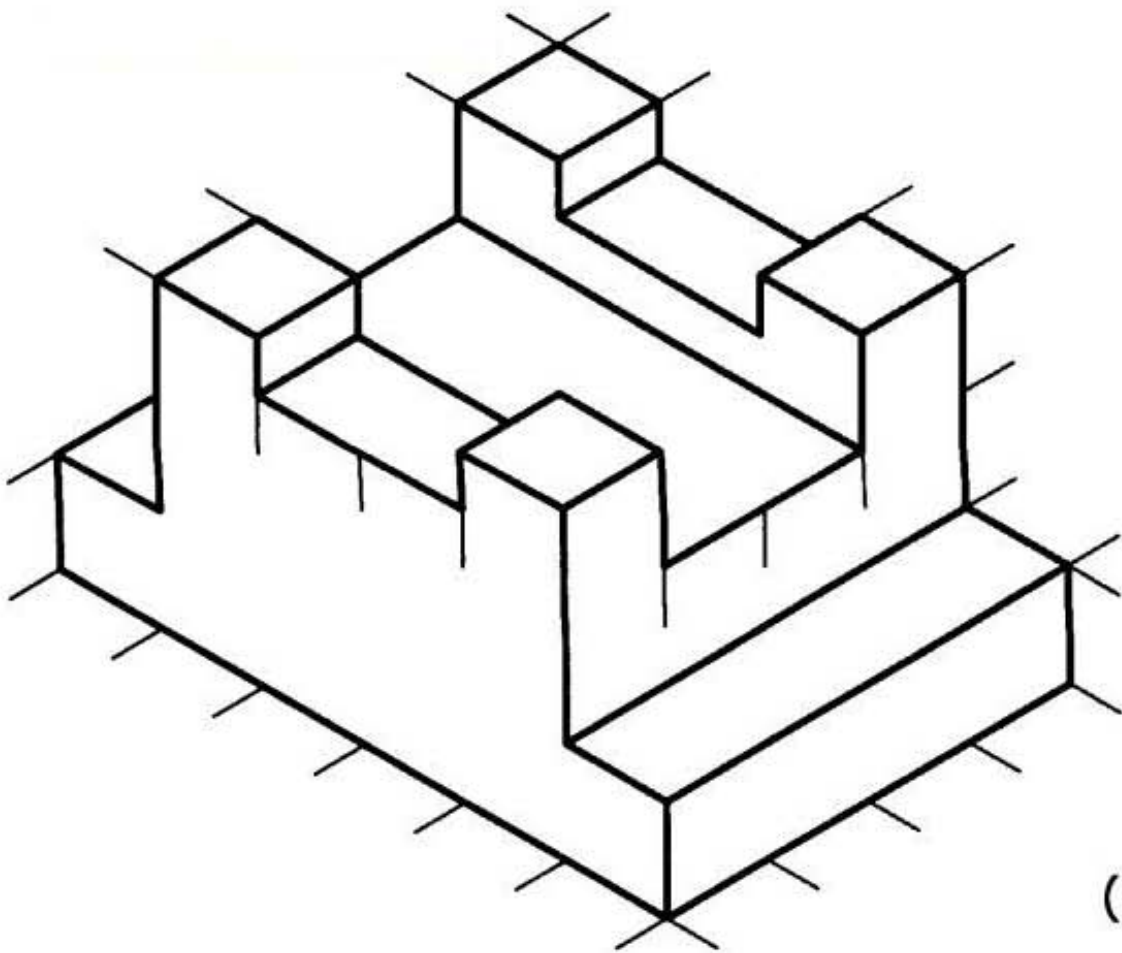


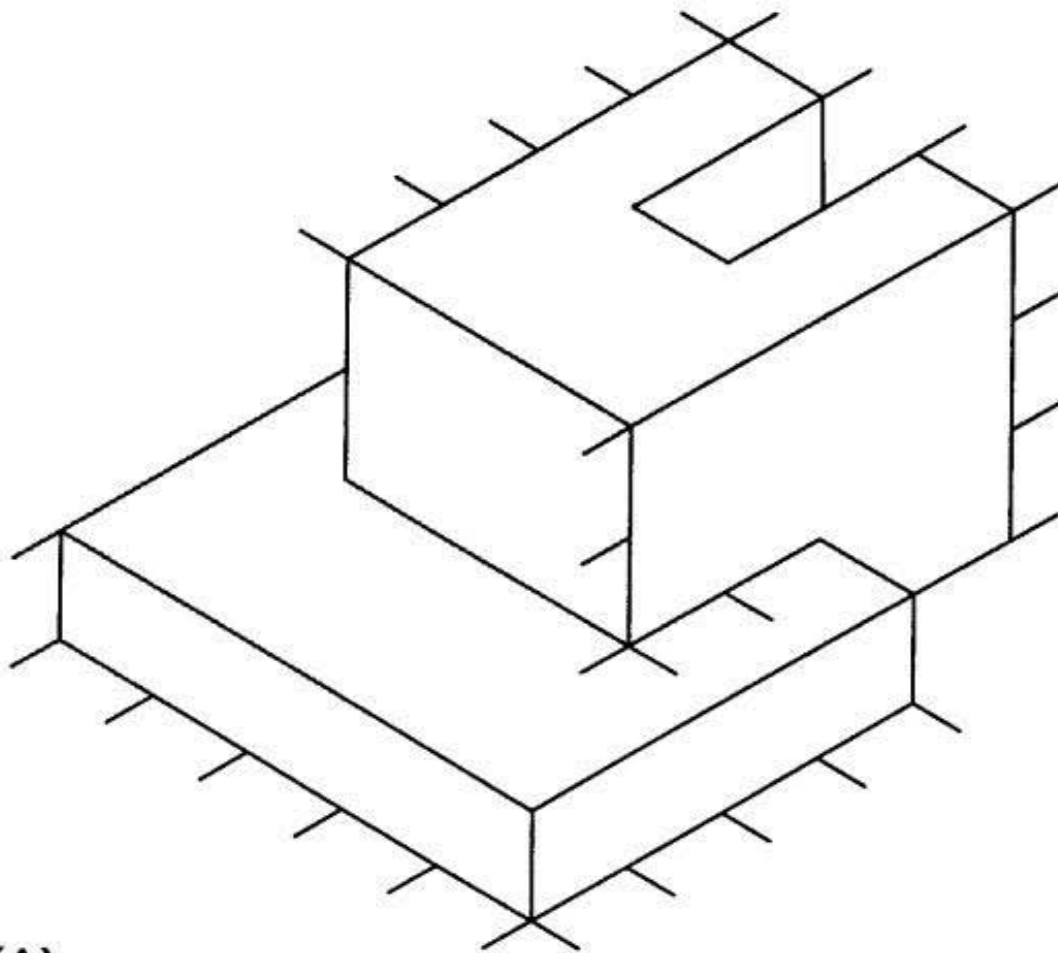
(B)

(A)

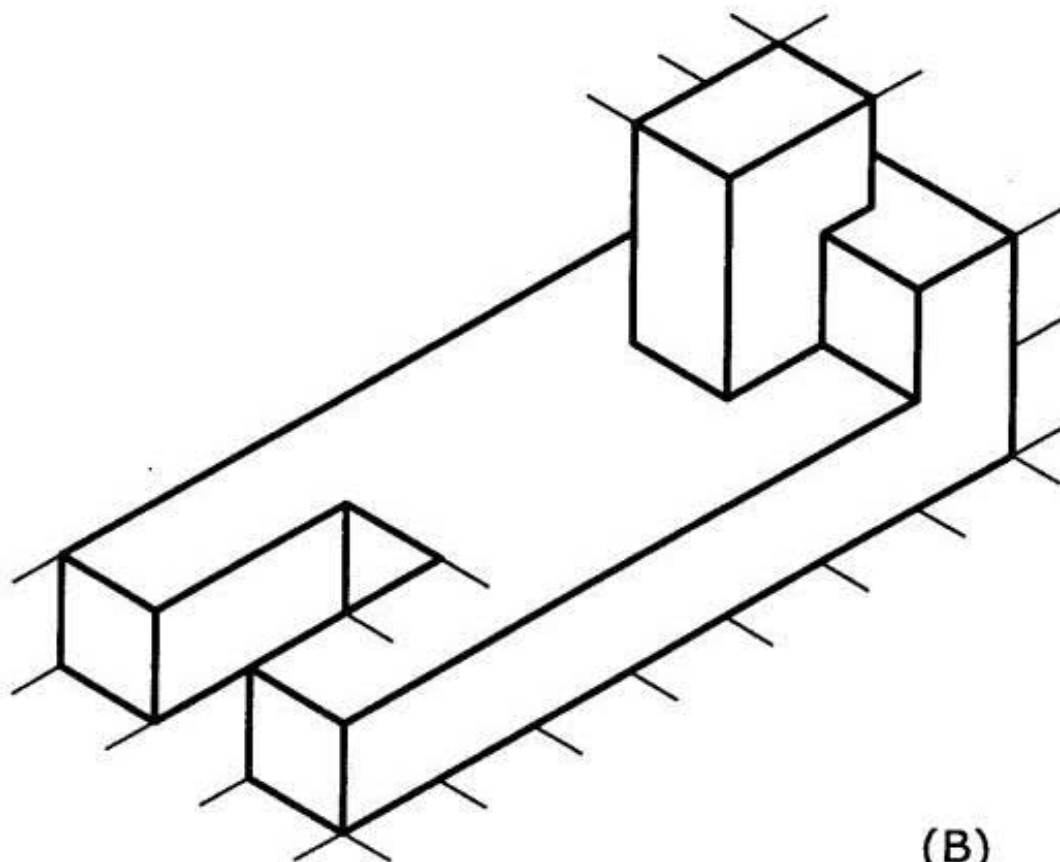


(B)

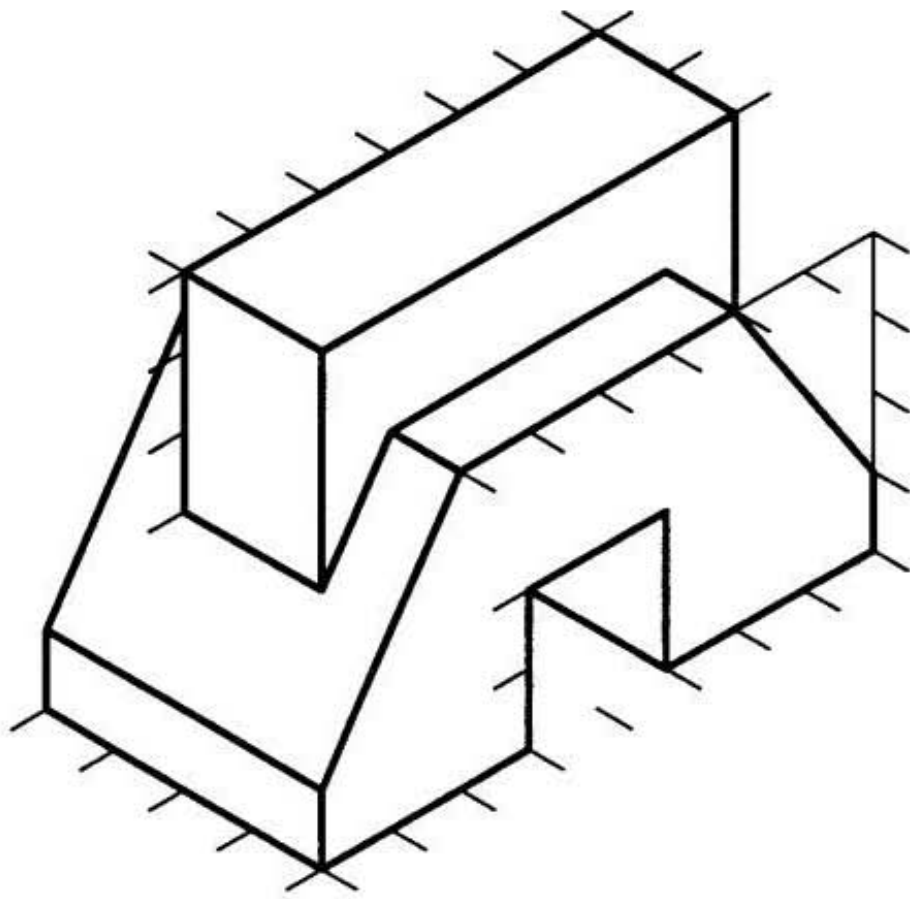




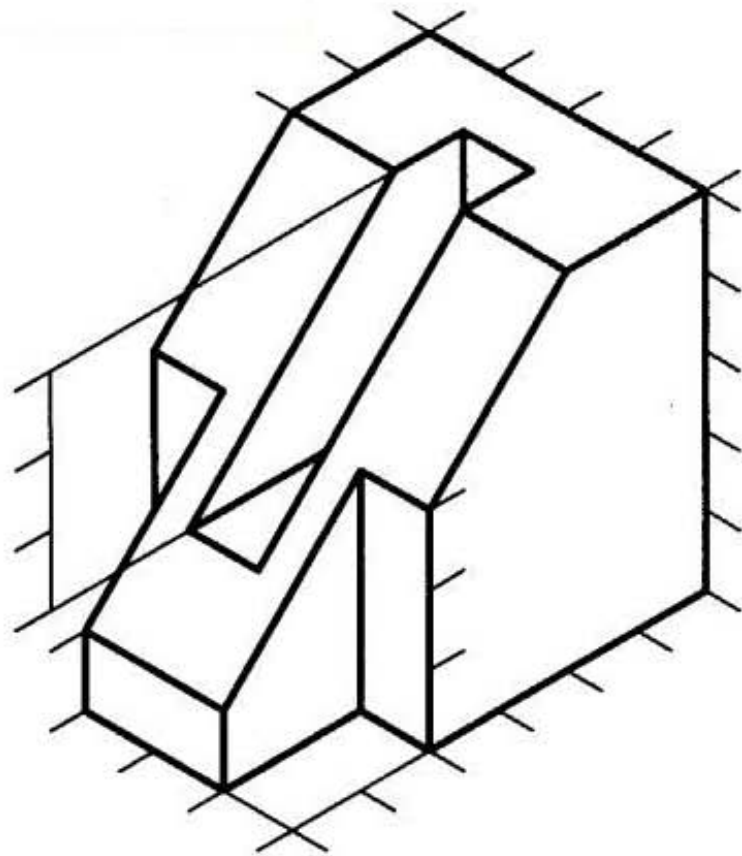
(A)



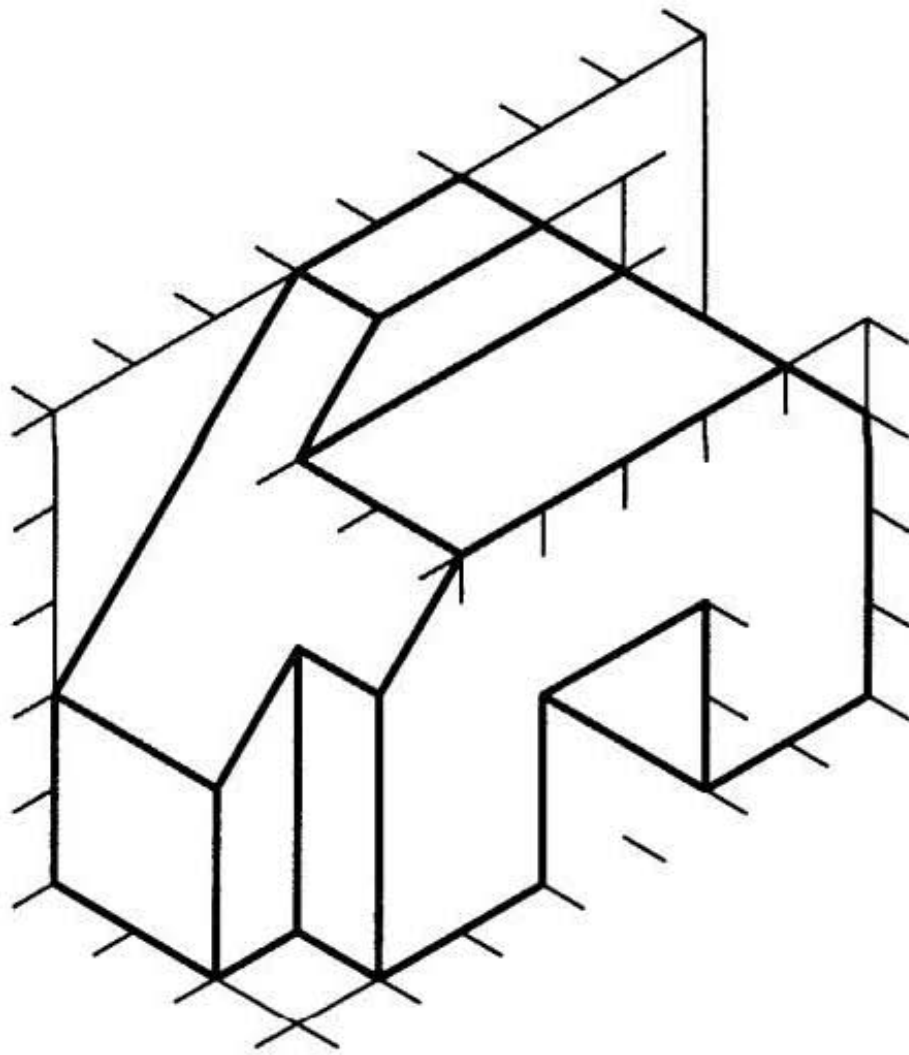
(B)



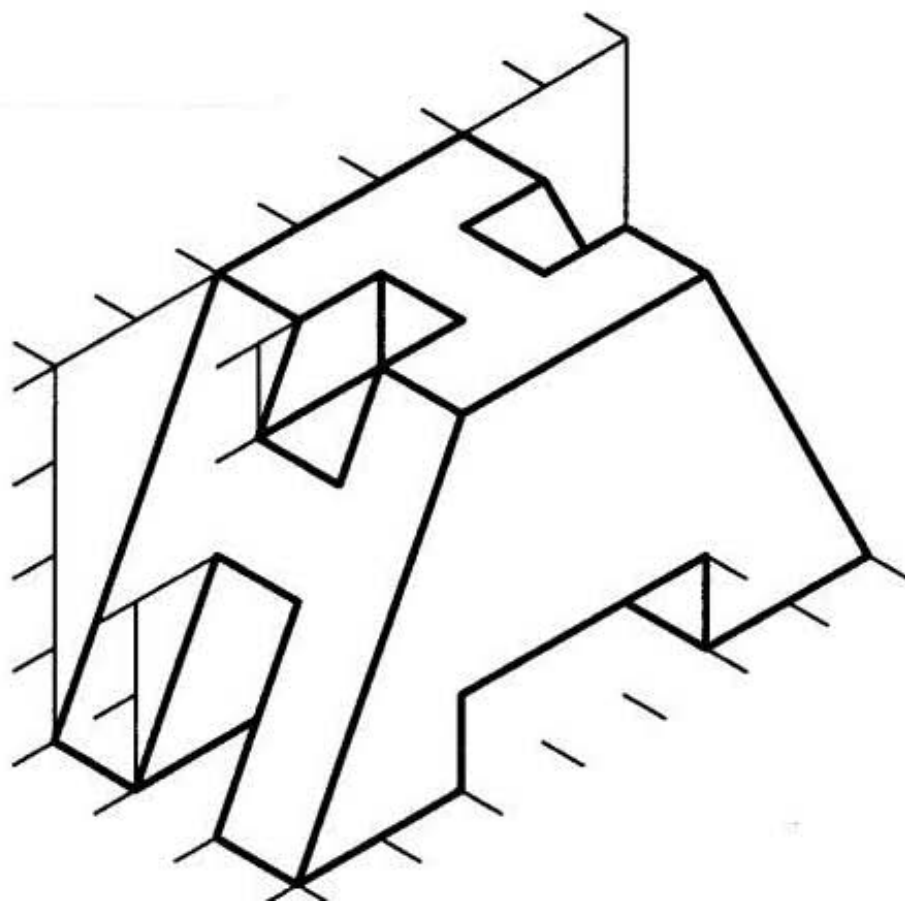
(A)



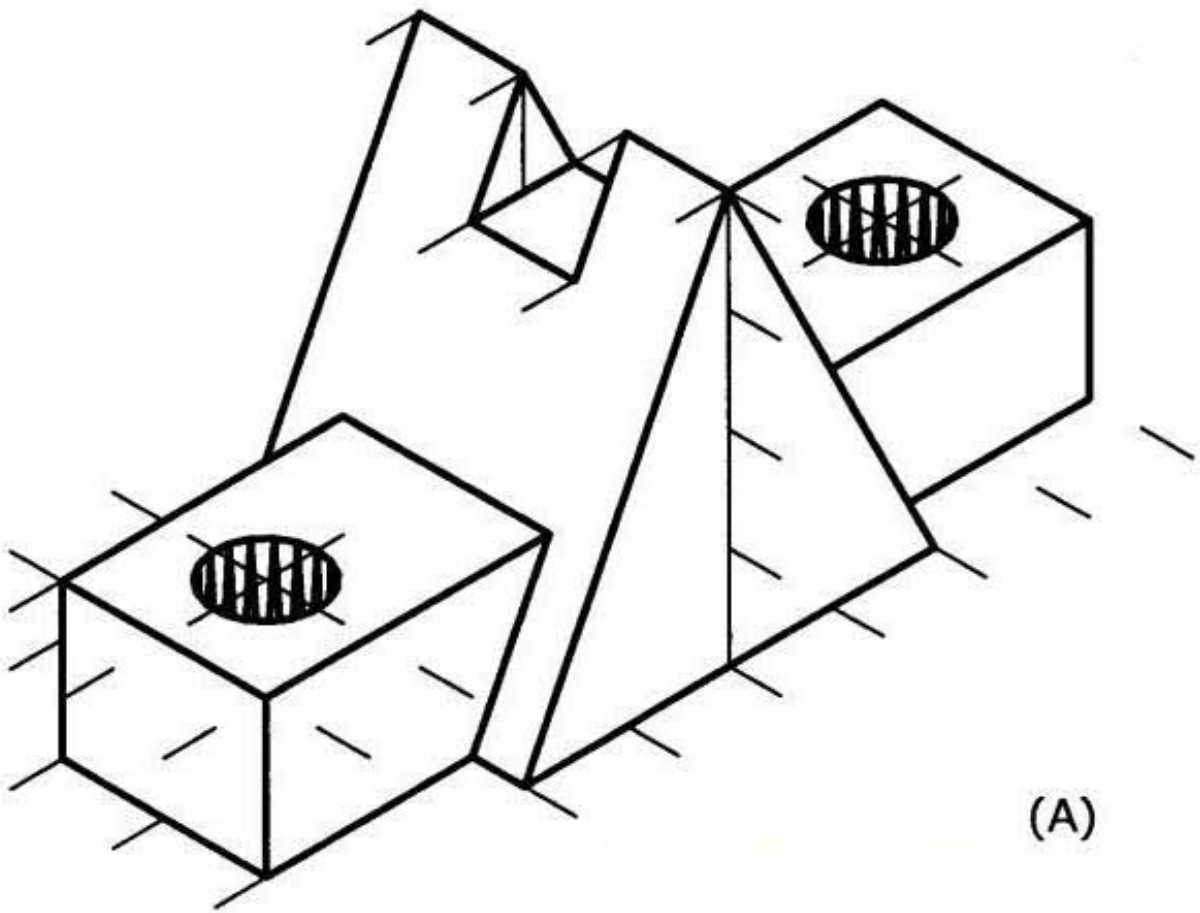
(B)



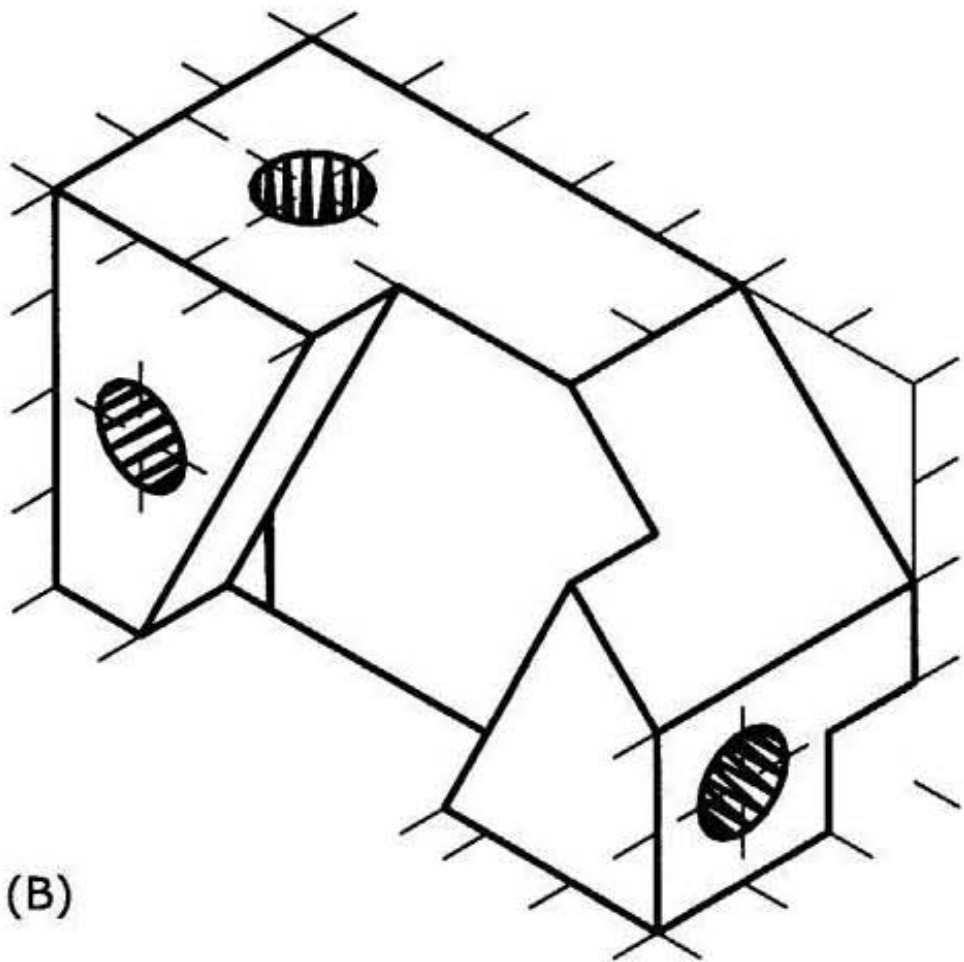
(A)



(B)



(A)



(B)

