

A

A

B

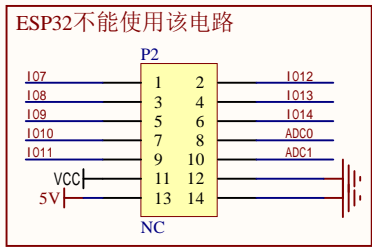
B

C

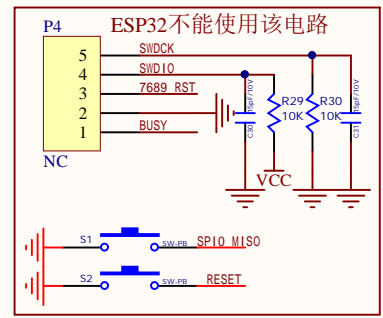
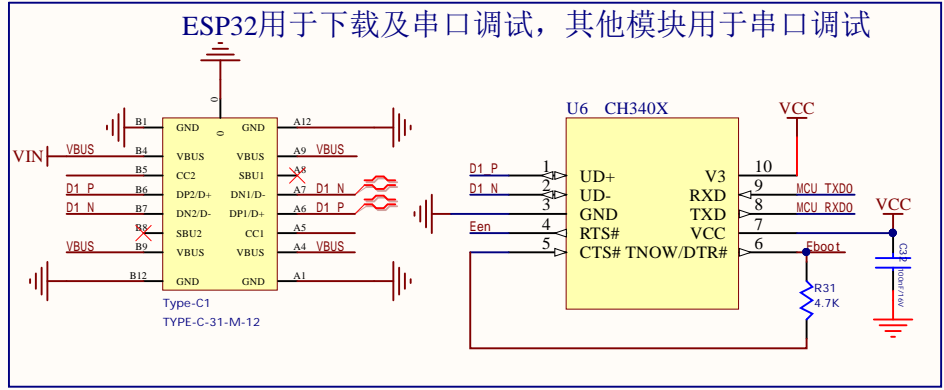
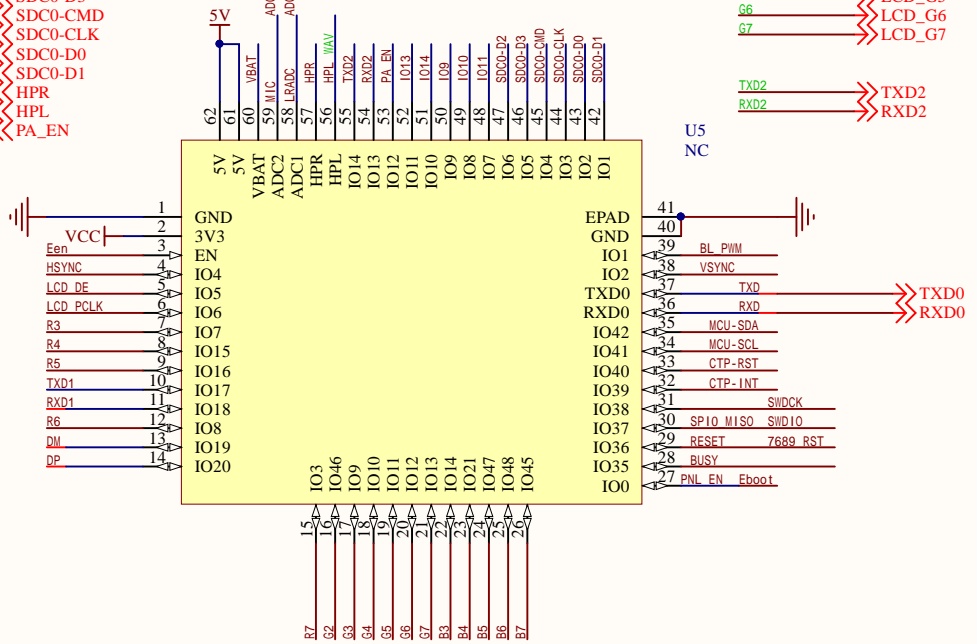
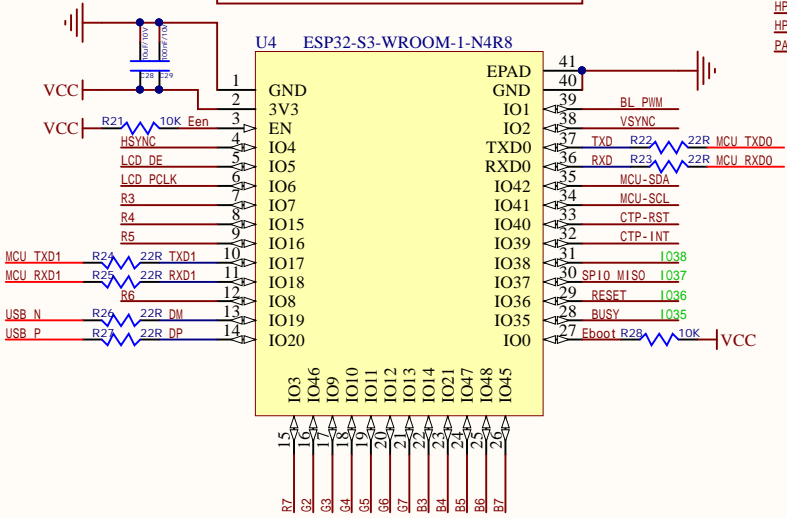
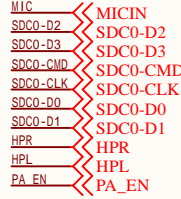
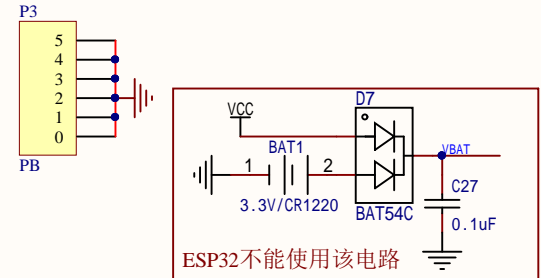
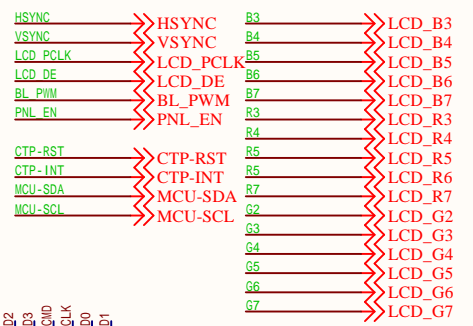
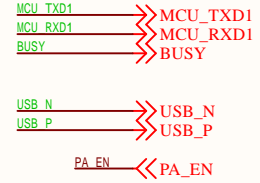
C

D

D

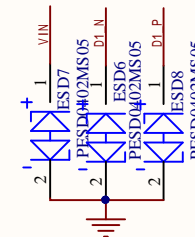
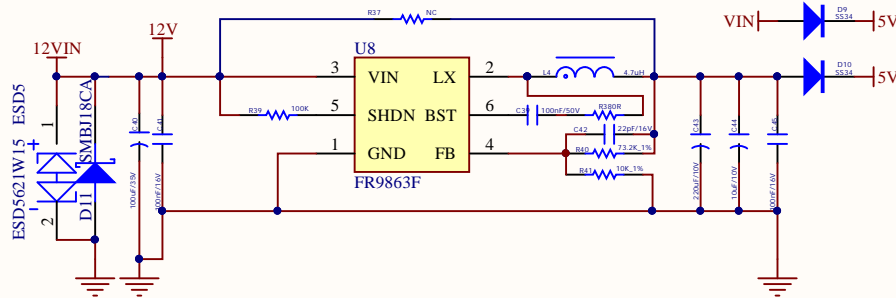
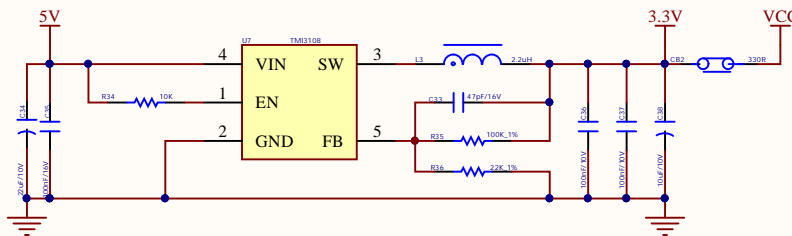
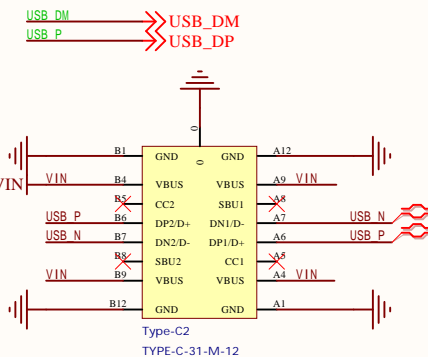
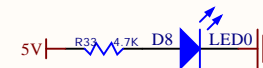
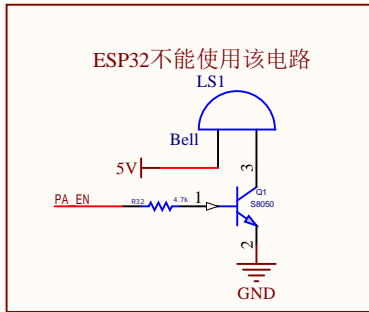


TXD1/RXD1用于与主控通讯



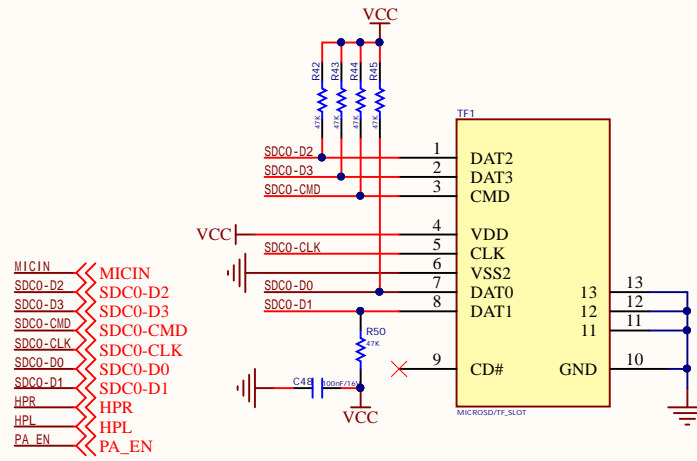
Title		
Size	Number	Revision
A4		
Date:	2024/1/2	Sheet of
File:	H:\2020PRJ\...\MCU.SchDoc	Drawn By:

ESP32不能使用该电路



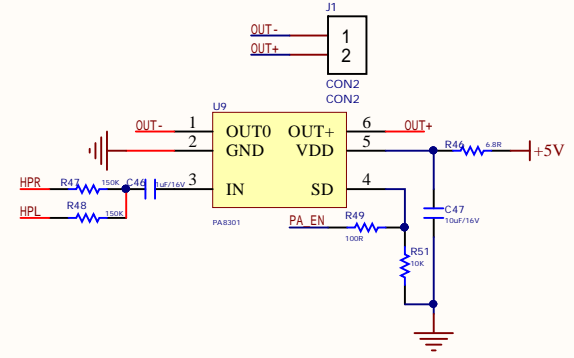
Title		
Size A4	Number	Revision
Date: 2024/1/2	Sheet of	
File: H:\2020PRJ\...\Power.SchDoc	Drawn By:	

ESP32不能使用该电路



MIC

TF



SPEAKER

Title		
Size	Number	Revision
A4		
Date:	2024/1/2	Sheet of
File:	H:\2020PRJ\...\TF.SchDoc	Drawn By:

1

2

3

4

A

A

U_LCD
LCD.SchDoc



U_TF
TF.SchDoc



U_MCU
MCU.SchDoc



U_Power
Power.SchDoc



U_UART
UART.SchDoc



B

B

C

C

D

D

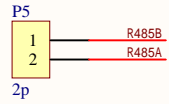
Title		
Size A4	Number	Revision
Date:	2024/1/2	Sheet of
File:	H:\2020PRJ\.\TOP.SchDoc	Drawn By:

1

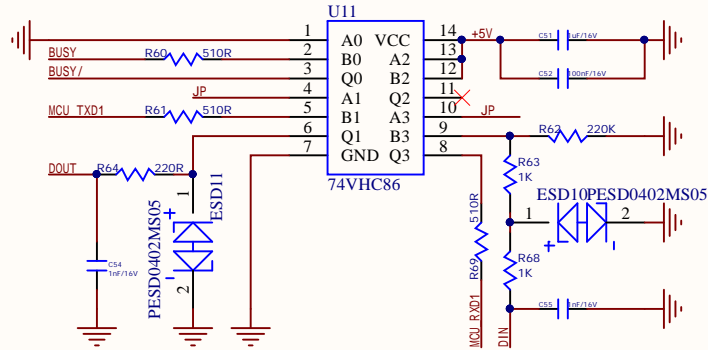
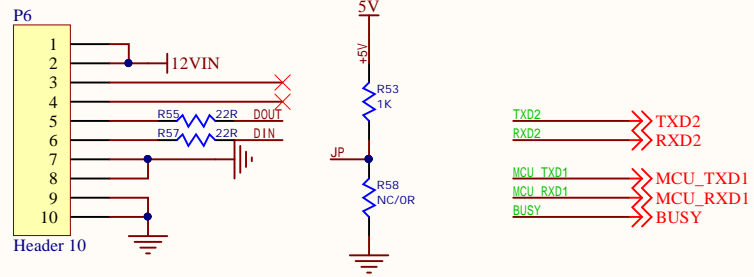
2

3

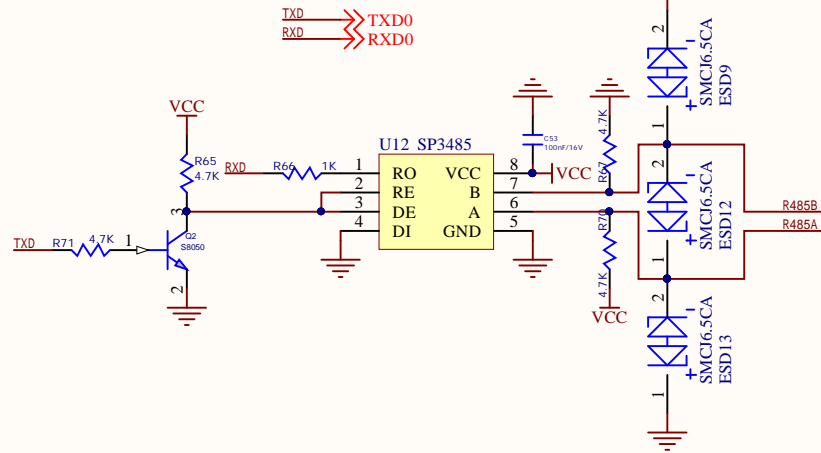
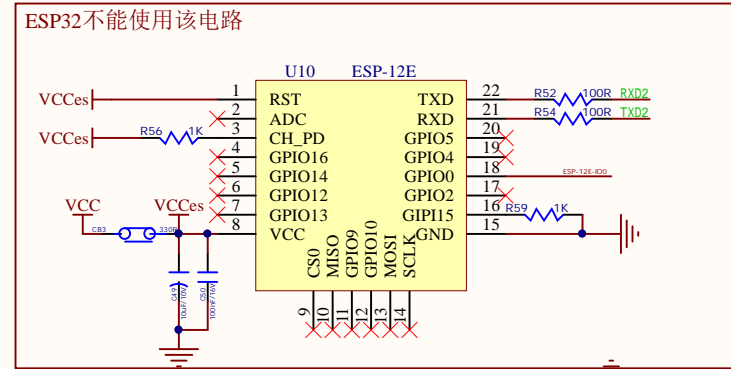
4



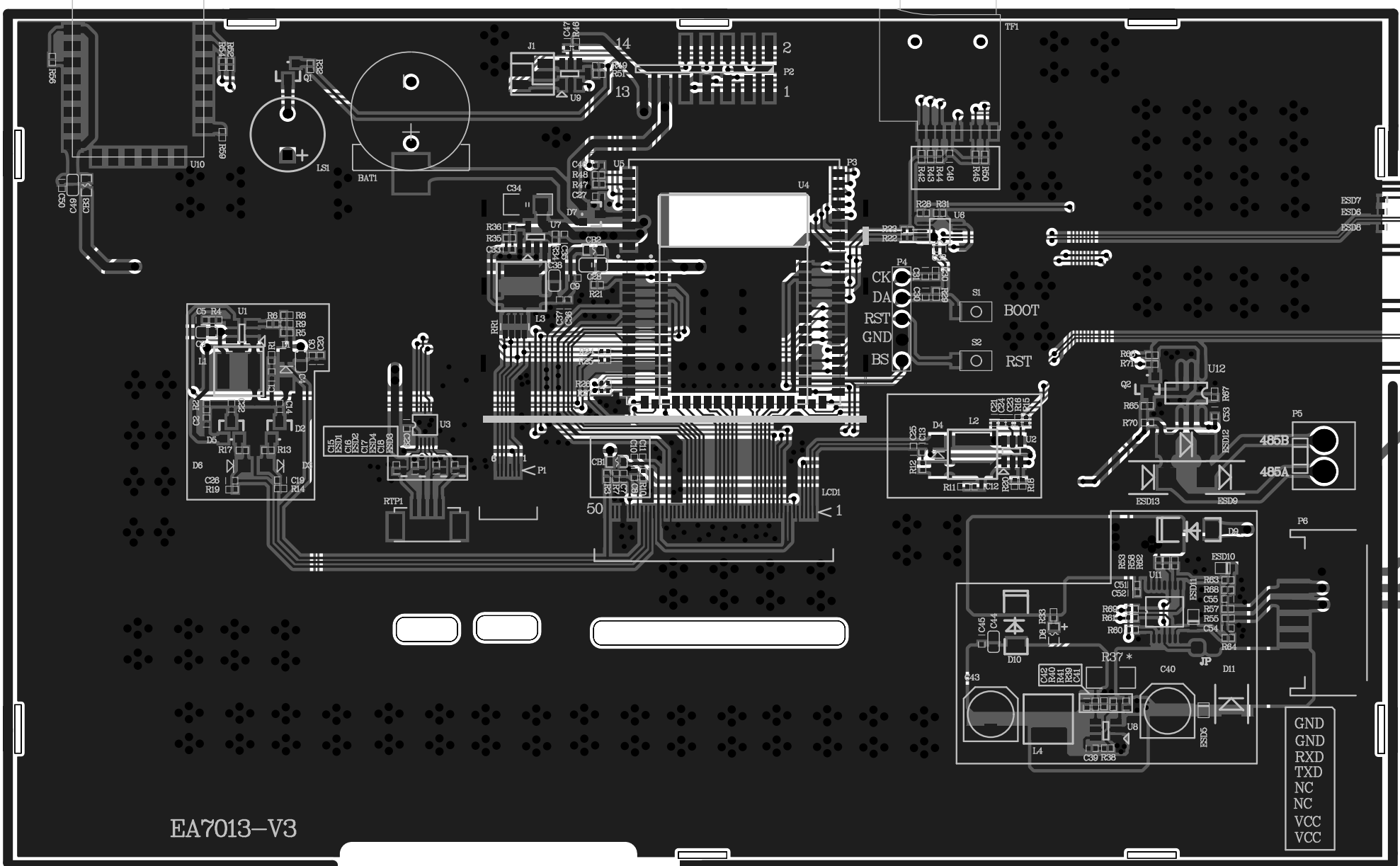
R58: 0R: TTL;NC: 232



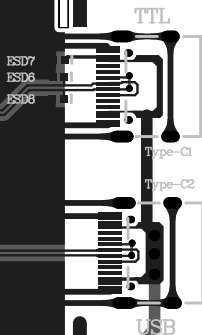
通信接口电路



Title		
Size	Number	Revision
A4		
Date:	2024/1/2	Sheet of
File:	H:\2020PRJ\..UART.SchDoc	Drawn By:



EA7013-V3



GND
GND
RXD
TXD
NC
NC
VCC
VCC

Boards S.