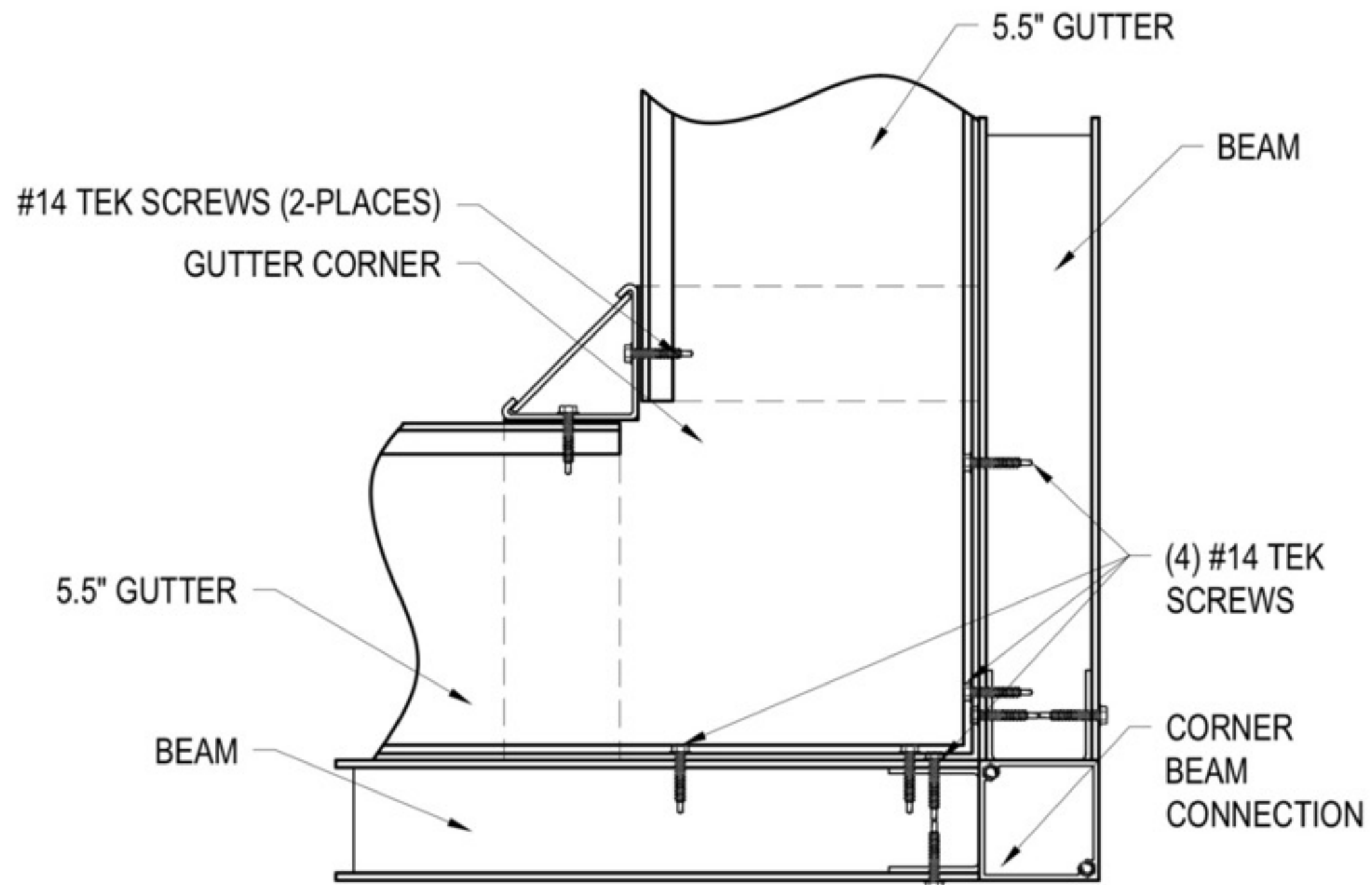
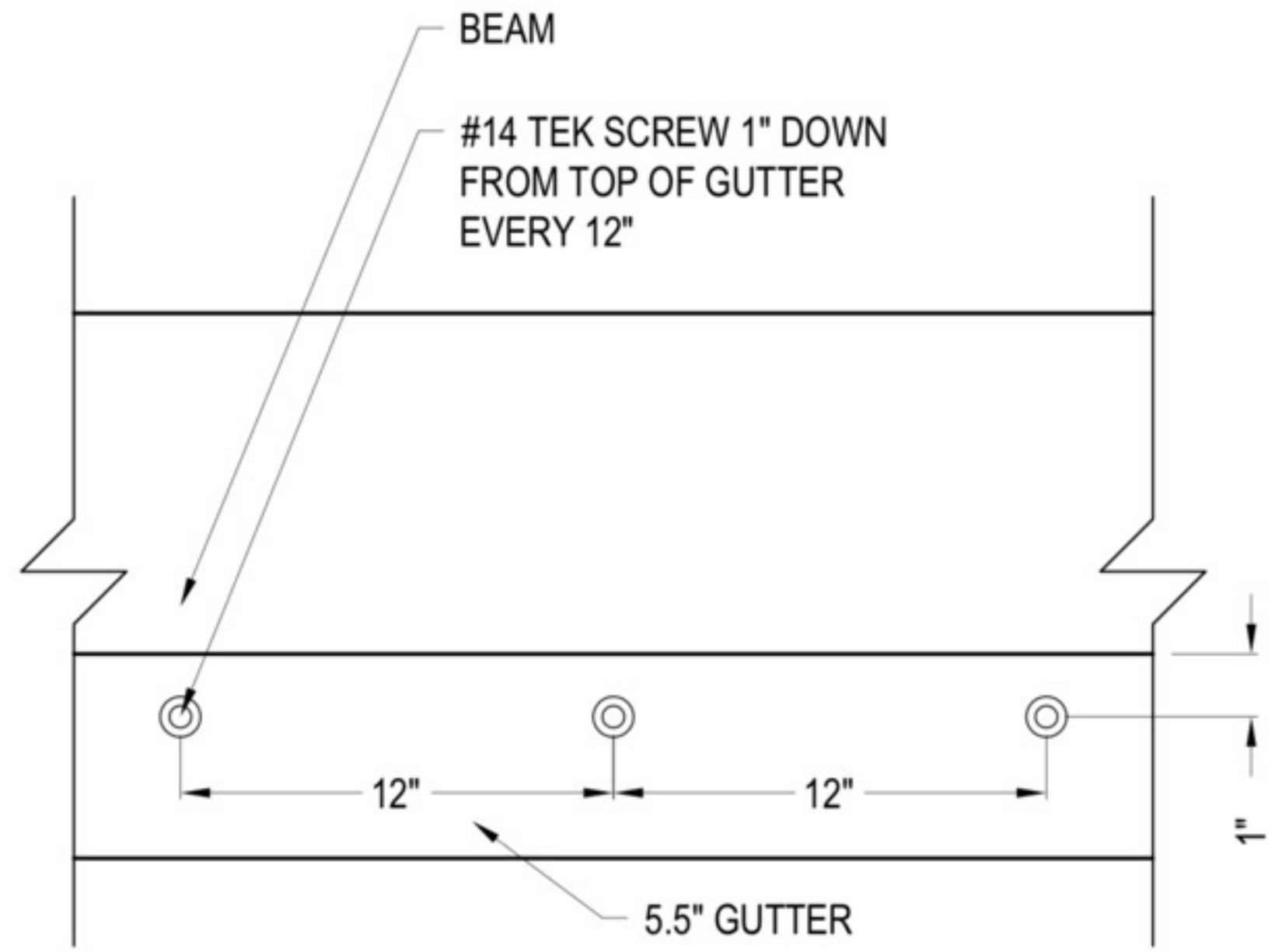


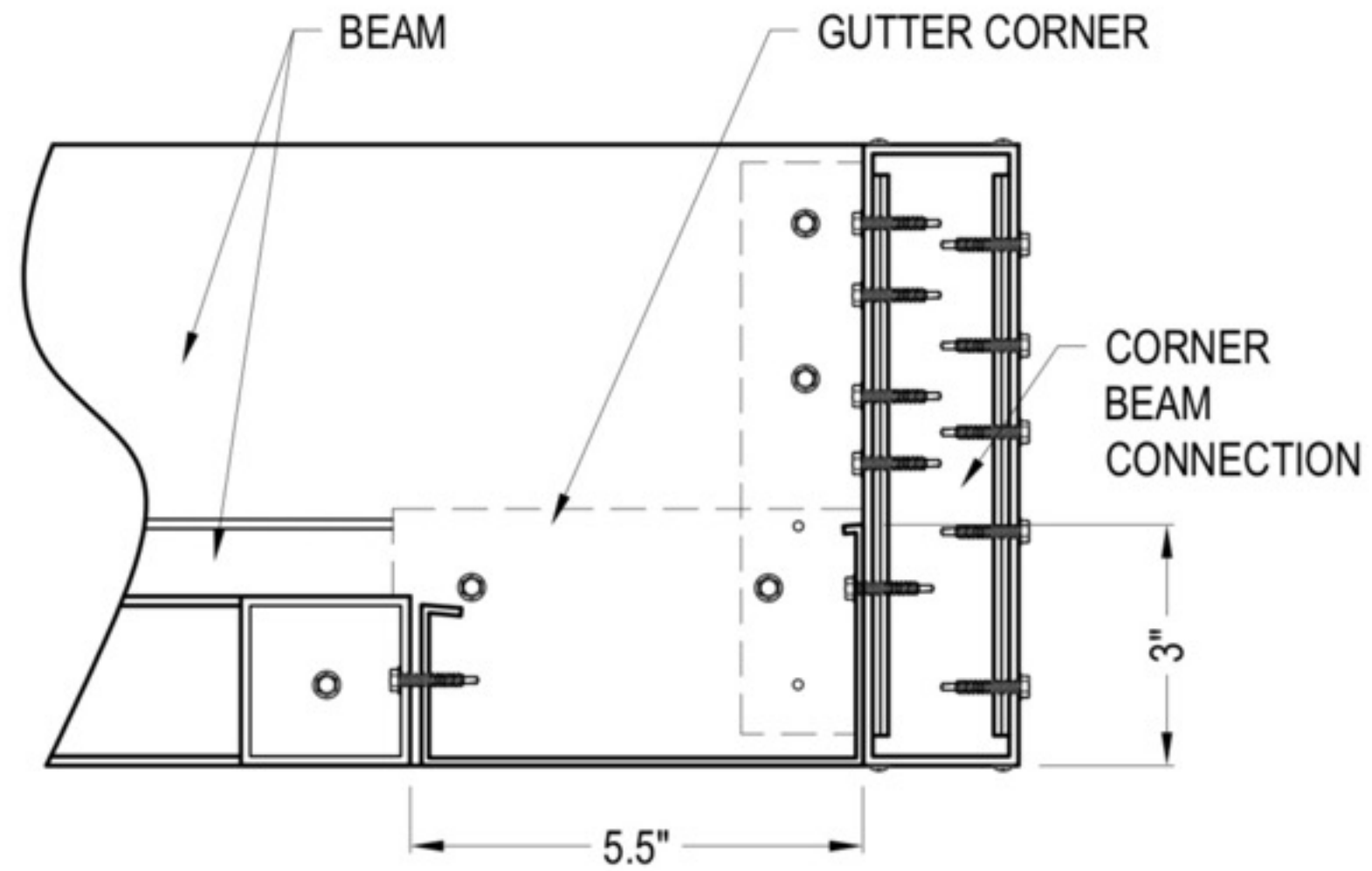
ISOMETRIC VIEW



TOP VIEW

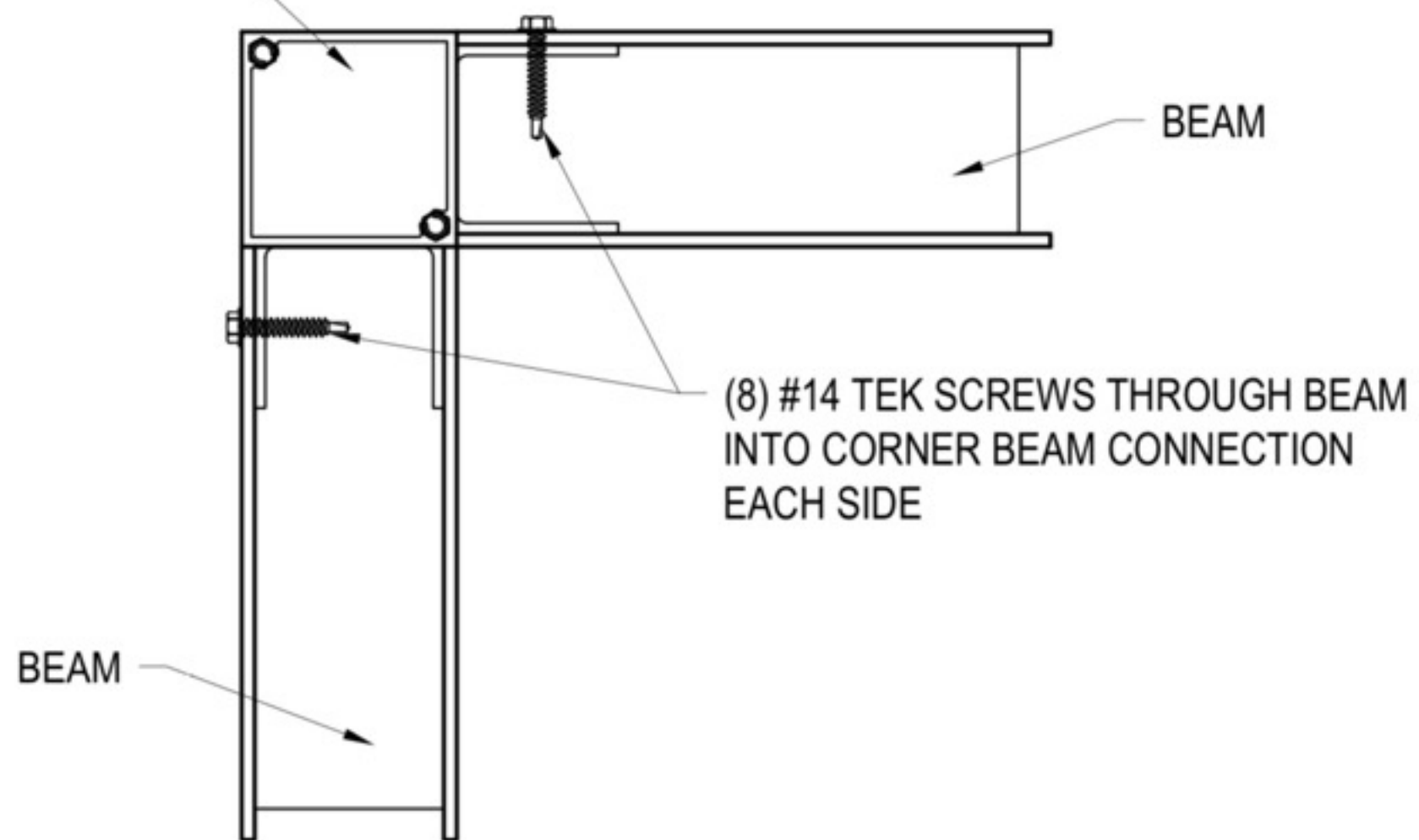


FRONT VIEW

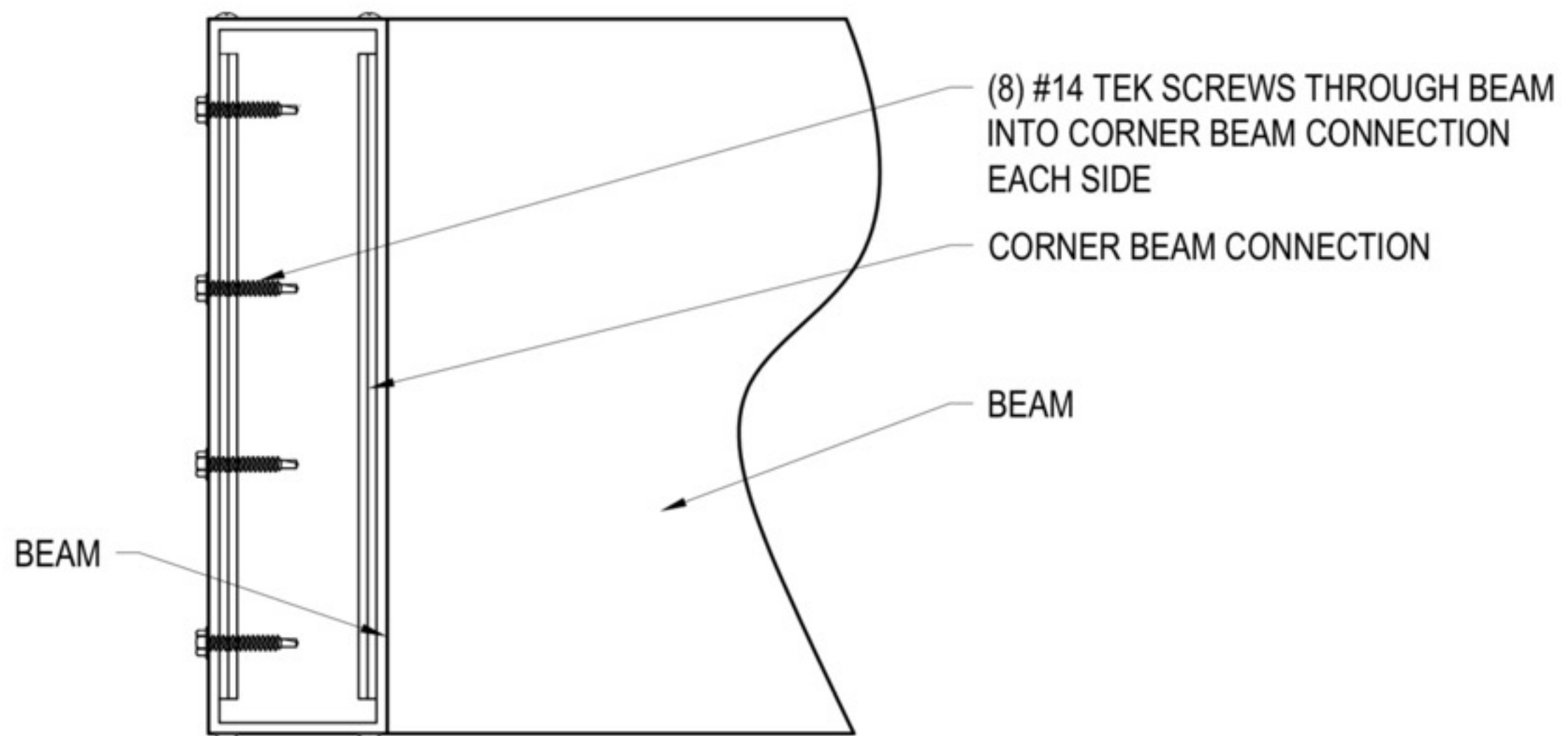


SIDE VIEW

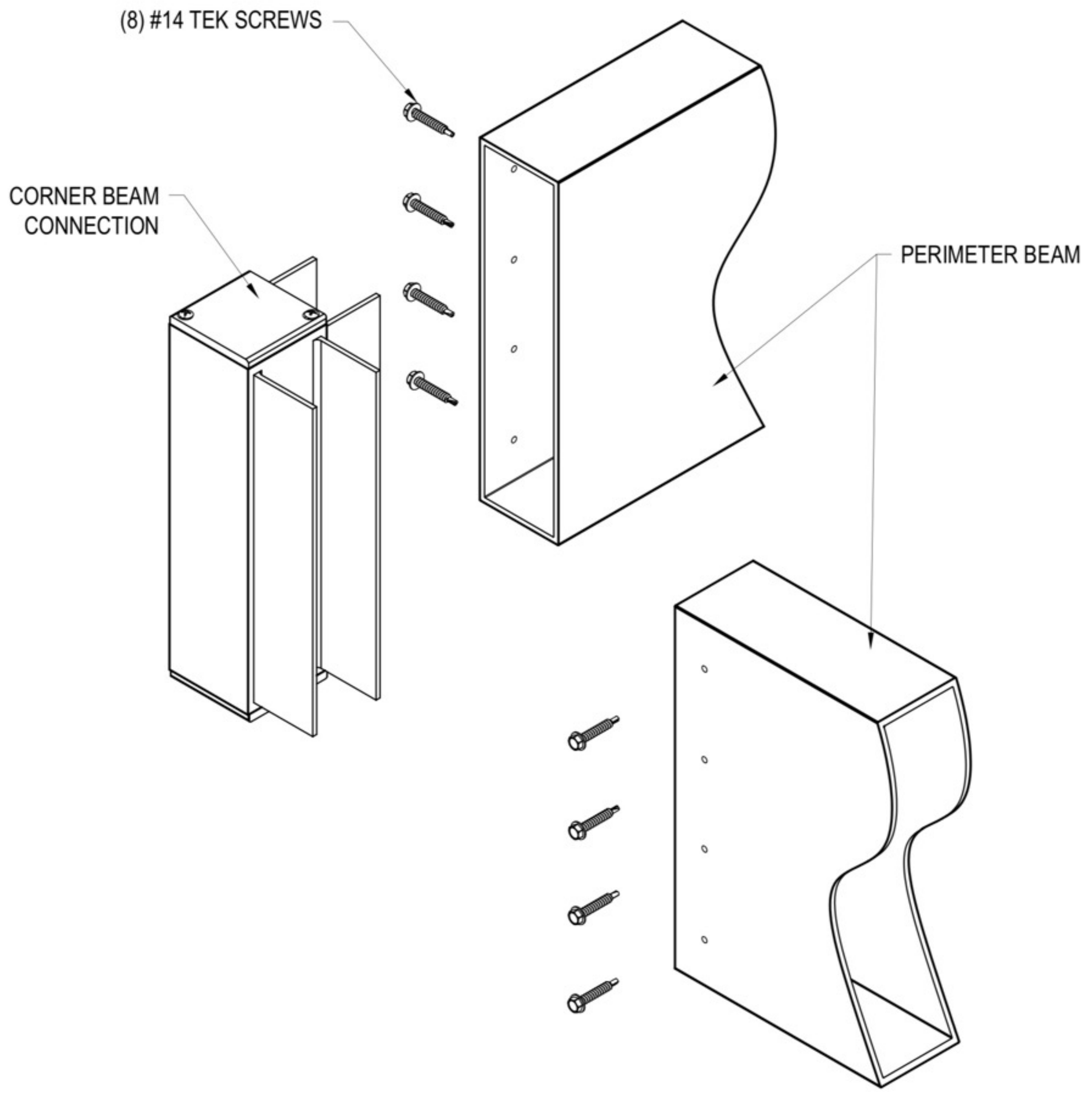
CORNER BEAM CONNECTION
- EXTRUDED WITH CAPS

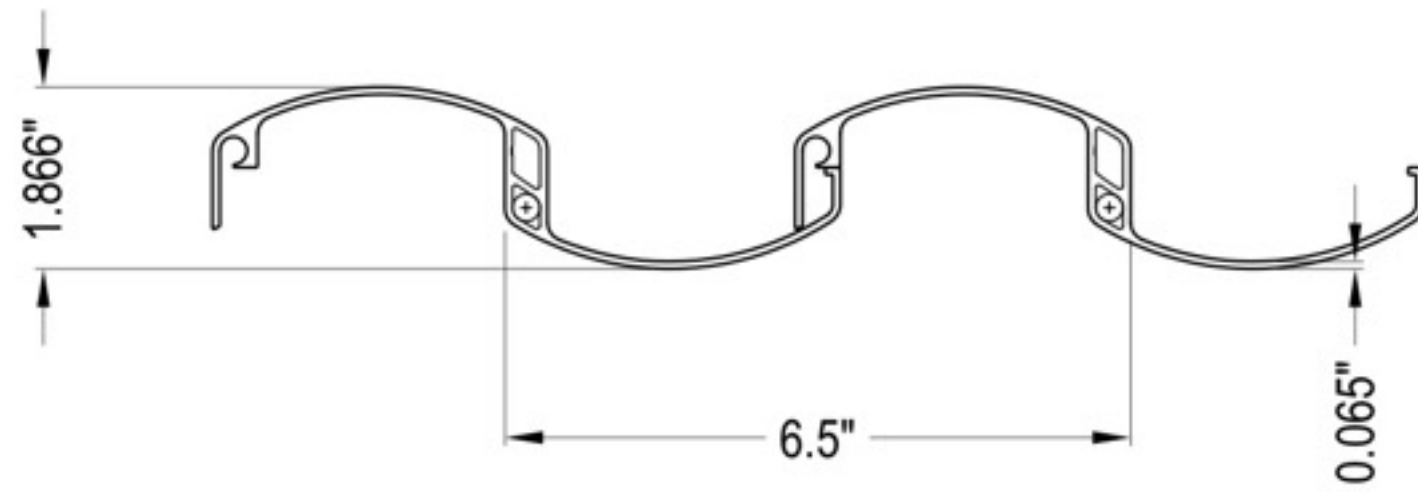
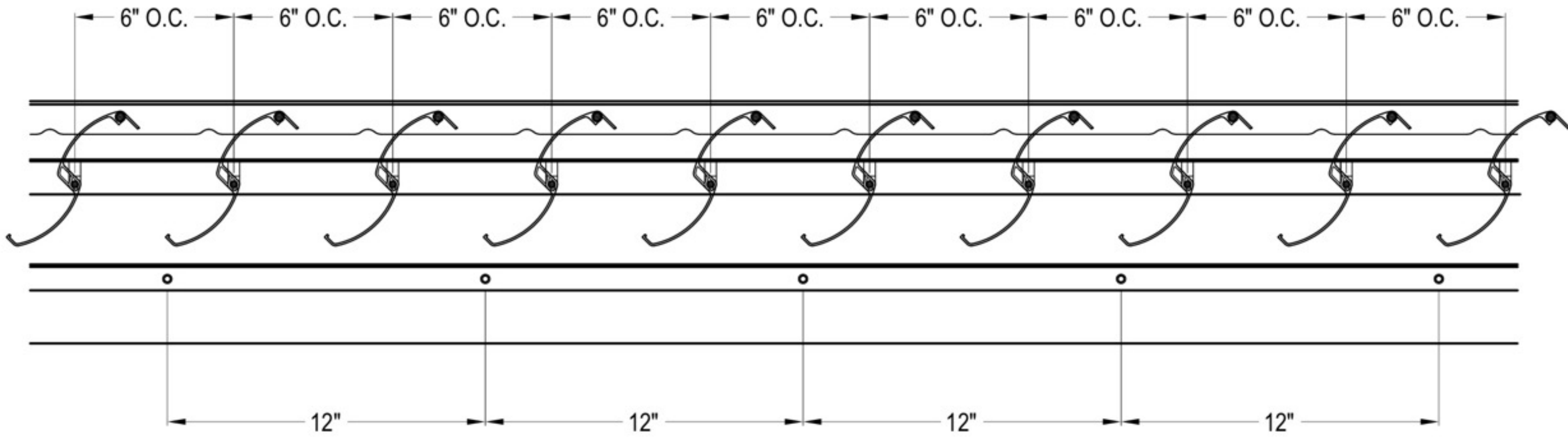


TOP VIEW

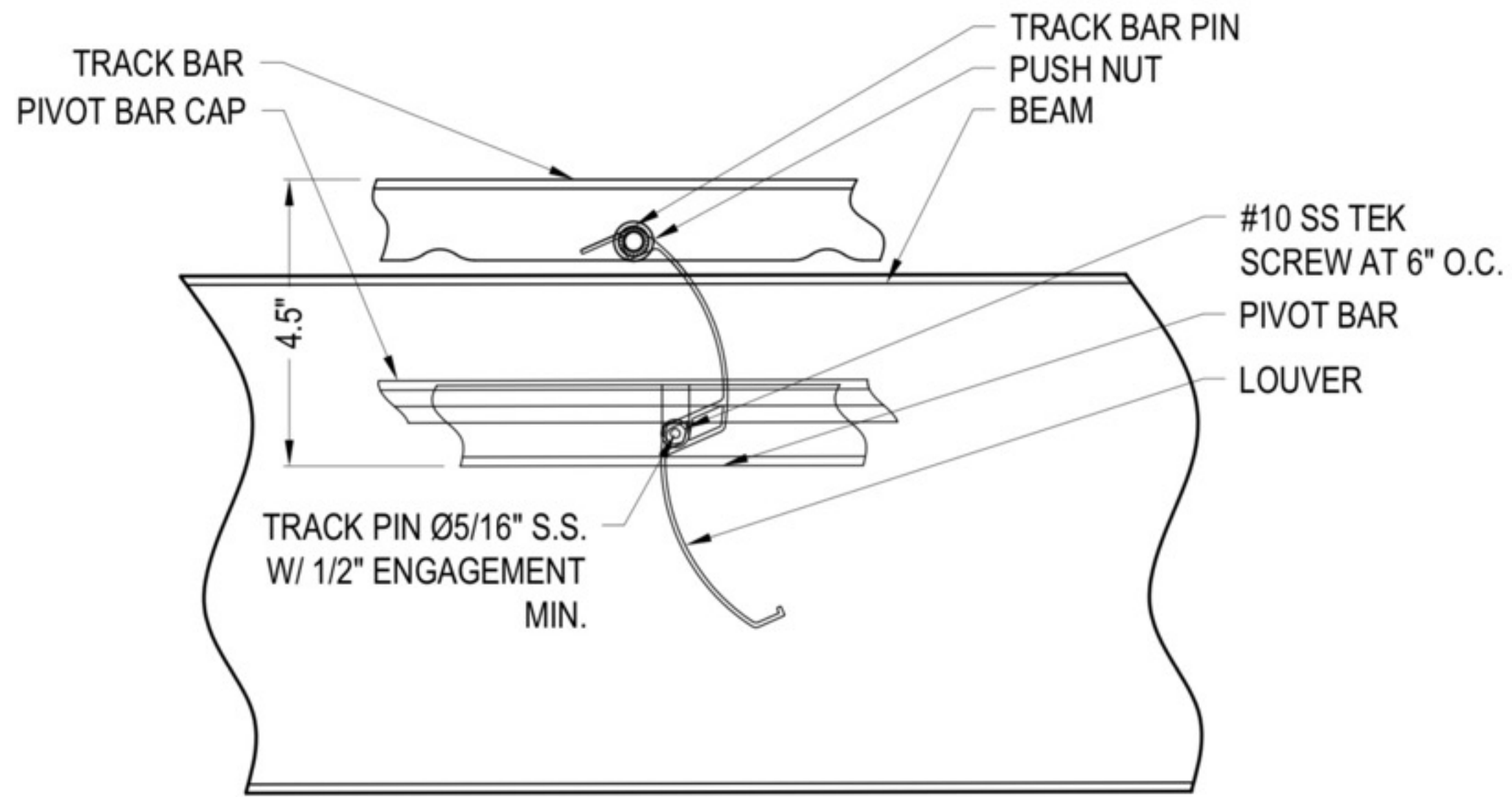


SIDE VIEW

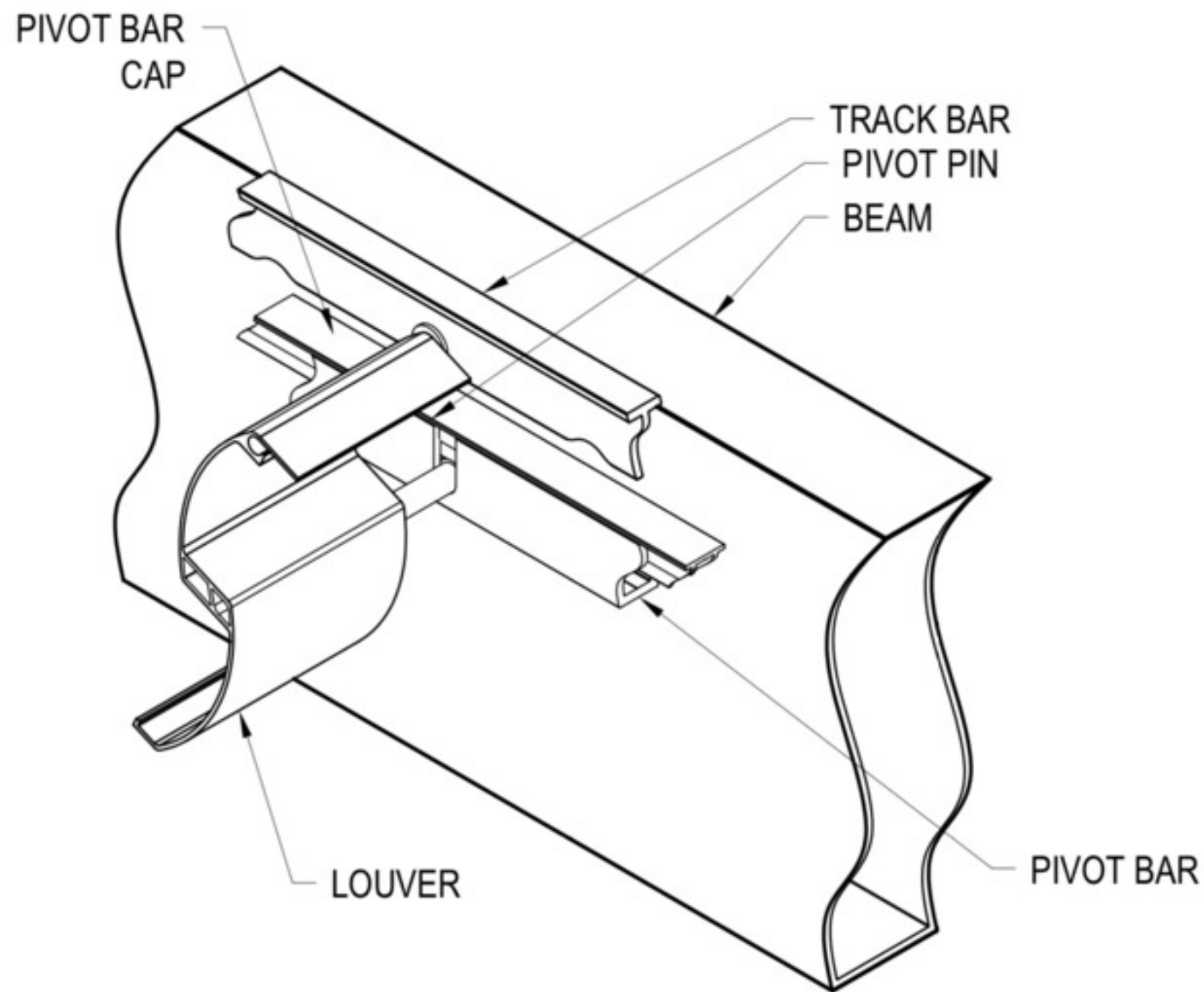




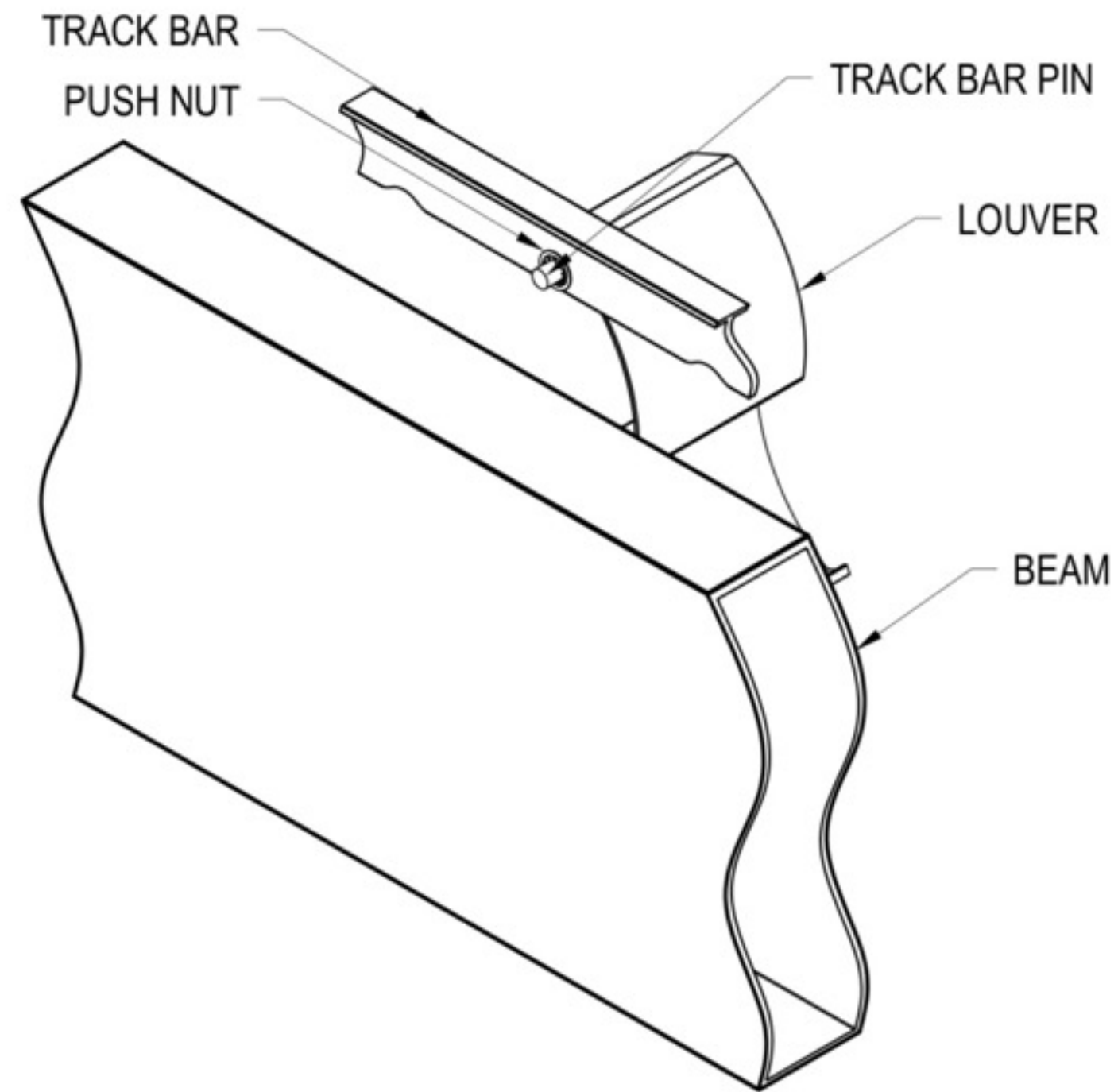
LOUVERS DETAIL



SIDE VIEW



ISOMETRIC INSIDE VIEW



ISOMETRIC OUTSIDE VIEW

