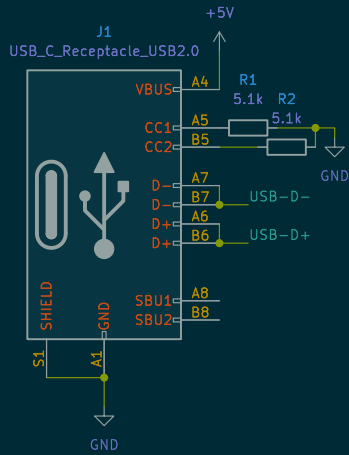
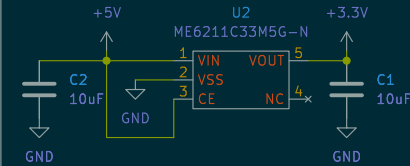


USB-C



3,3V Regulator

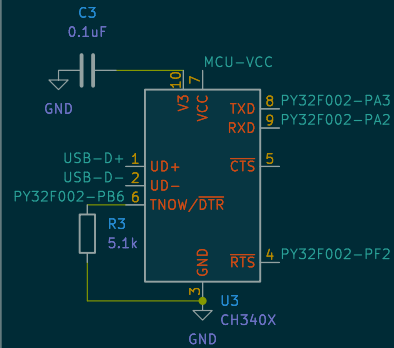


Microcontroller

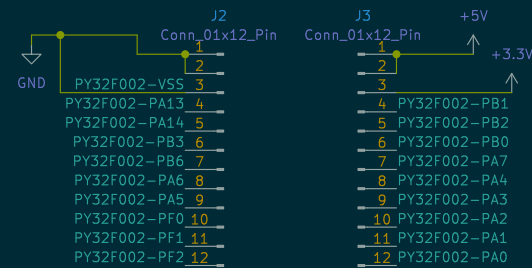
U1
PY32F002AF15P

PY32F002-VSS	1	VSS	20	PY32F002-VCC
PY32F002-PA13	2	VCC	19	PY32F002-PB1
PY32F002-PA14	3	PA13-MISO-RX-CH2-SWD	18	PY32F002-PB2
PY32F002-PB3	4	PA14-SWC	17	PY32F002-PB0
PY32F002-PB6	5	PB3-SCK-RTS-CH2	16	PY32F002-PA7
PY32F002-PA6	6	PB6-TX-CH3-PF4-BOOT0	15	PY32F002-PA4
PY32F002-PA5	7	PA6-BKIN-ADC6	14	PY32F002-PA3
PY32F002-PF0	8	PA5-SCK-ADC5	13	PY32F002-PA2
PY32F002-PF1	9	PF0-RX-ISCIN	12	PY32F002-PA1
PY32F002-PF2	10	PF1-NSS-TX-OSCOUT	11	PY32F002-PA0
		PF2-NRST		
		PA0-MISO-CTS-CH3CH1N-ADC0		
		PA7-MOSI-TX-CH1N-ADC7		
		PA4-NSS-CK-ADC4		
		PA3-MOSI-RX-SCL-CH1-ADC3		
		PA2-MOSI-TX-SDA		
		PB0-NSS-CH2N		
		PB2-RX		
		PB1-CH3N-ADC9		

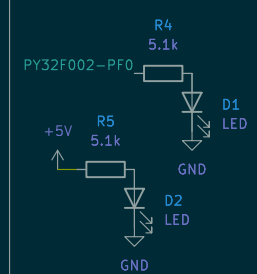
USB-Serial



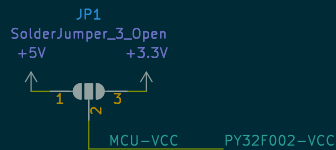
Headers



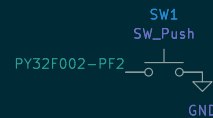
LEDs



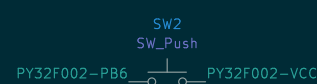
Voltage Selection



Reset Button



Boot Button



Sheet: /
File: PY32F002AF15P.kicad_sch

Title:

Size: A4 Date:
KiCad E.D.A. kicad 7.0.8-7.0.8-ubuntu22.04.1

Rev:
Id: 1/1